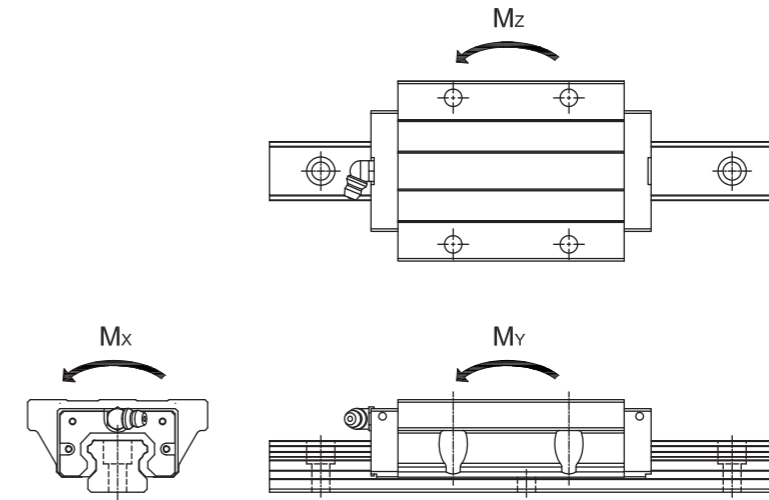
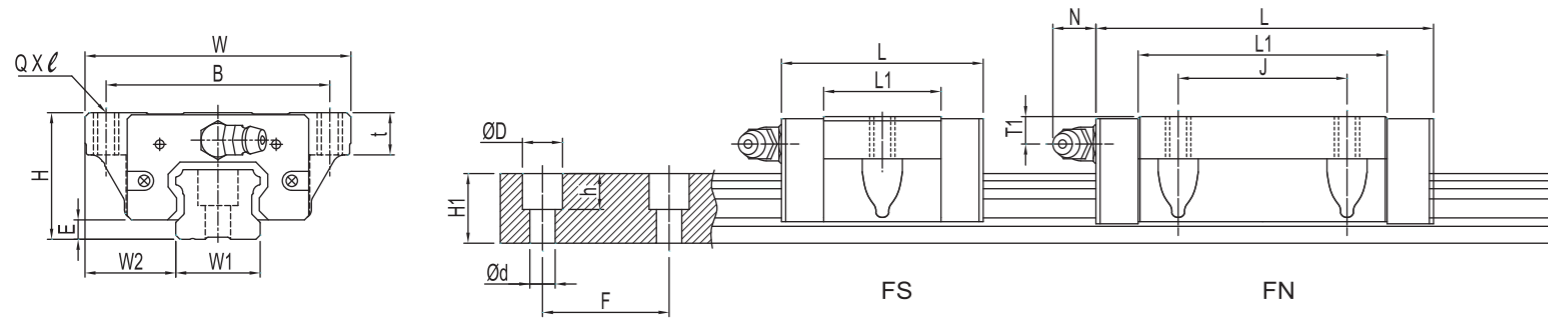


TRS - F Series Dimension Table



Model No.	Assembly(mm)			Block(mm)										Rail(mm)					
	H	W2	E	W	B	J	t	L	L1	QXl	T1	Oil Hole	N	W1	H1	φD	h	φd	F
TRS15FS	24	18.5	3.2	52	41	26	7	39.3	22.9	M5X7	5.5	M4X0.7	7	15	13	7.5	6	4.5	60
TRS15FN								55.9	39.5										
TRS20FS	28	19.5	4.6	59	49	32	9	47.8	27.8	M6X9	4.5	M6X1	14	20	16.5	9.5	8.5	6	60
TRS20FN								66.7	46.7										
TRS25FS	33	25	5.8	73	60	35	10	56.2	35.2	M8X10	4.5	M6X1	14	23	20	11	9	7	60
TRS25FN								80	59										
TRS30FS	42	31	7	90	72	40	10	66.4	40.4	M10X10	8	M6X1	14	28	23	14	12	9	80
TRS30FN								95.3	69.3										
TRS35FS	48	33	7.5	100	82	50	13	74.7	45.7	M10X13	8	M6X1	14	34	26	14	12	9	80
TRS35FN								108	79										
TRS45FN	60	37.5	8.9	120	100	60	15	124.5	90.5	M12X15	10.5	PT1/8	12.5	45	32	20	17	14	105

Model No.	Rating Load (kgf)		Static permissible moment of load					Weight	
	C	Co	Mx(kgf-mm)	My(kgf-mm)		Mz(kgf-mm)		Block (kg)	Rail (kg/m)
			Single Block	Single Block	Double Block	Single Block	Double Block		
TRS15FS	908	1471	10,957	6,420	33,531	6,420	33,531	0.098	1.32
TRS15FN	1206	2206	16,436	14,884	70,960	14,884	70,960	0.17	
TRS20FS	1398	2140	21,615	10,700	59,798	10,700	59,798	0.15	2.28
TRS20FN	1896	3307	33,404	26,459	126,998	26,459	126,998	0.24	
TRS25FS	1943	3002	34,826	18,725	97,890	18,725	97,890	0.26	3.17
TRS25FN	2581	4503	52,239	43,407	207,324	43,407	207,324	0.44	
TRS30FS	2697	3962	55,442	26,950	154,224	26,950	154,224	0.52	4.54
TRS30FN	3807	6483	90,722	74,970	355,321	74,970	355,321	0.88	
TRS35FS	3753	5401	92,349	42,896	235,304	42,896	235,304	0.76	6.27
TRS35FN	5090	8346	142,722	106,070	519,799	106,070	519,799	1.31	
TRS45FN	6758	10887	248,758	158,011	782,271	158,011	782,271	2.18	10.35