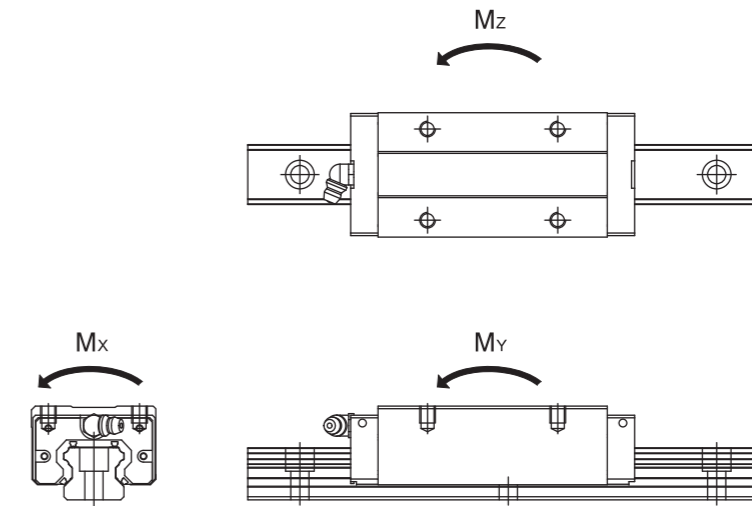
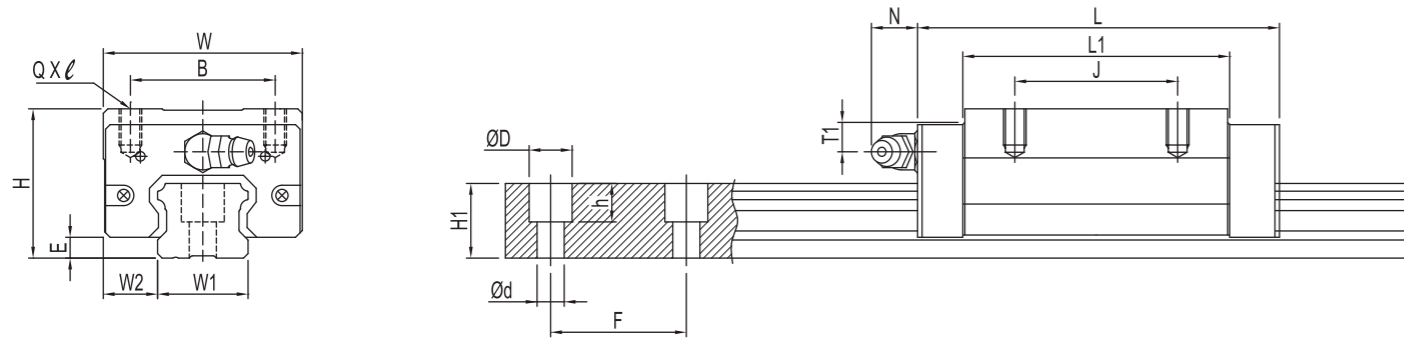


TRH - V Series Dimension Table



Model No.	Assembly(mm)			Block(mm)									Rail(mm)					
	H	W2	E	W	B	J	L	L1	QXl	T1	Oil Hole	N	W1	H1	φD	h	φd	F
TRH15VN	28	9.5	3.2	34	26	26	55.9	39.5	M4X5	9.5	M4X0.7	7	15	13	7.5	6	4.5	60
TRH15VL							64.4	48										
TRH20VN	30	12	4.6	44	32	36	74	54	M5X5	6.5	M6X1	14	20	16.5	9.5	8.5	6	60
TRH20VL							79	59										
TRH20VE							50	98										
TRH25VN	40	12.5	5.8	48	35	35	80	59	M6X8	11.5	M6X1	14	23	20	11	9	7	60
TRH25VL							92	71										
TRH25VE							50	109										
TRH30VN	45	16	7	60	40	40	95.3	69.3	M8X10	11	M6X1	14	28	23	14	12	9	80
TRH30VL							106	80										
TRH30VE							60	131										
TRH35VN	55	18	7.5	70	50	50	108	79	M8X10	15	M6X1	14	34	26	14	12	9	80
TRH35VL							122	93										
TRH35VE							72	152										
TRH45VL	70	20.5	8.9	86	60	60	140	106	M10X15	20.5	PT1/8	12.5	45	32	20	17	14	105
TRH45VE							80	174										
TRH55VL	80	23.5	13	100	75	75	163	118	M12X18	21	PT1/8	12.5	53	44	23	20	16	120
TRH55VE							95	201.1										
TRH65VL	90	31.5	14	126	76	70	197	147	M16X20	19	PT1/8	12.5	63	53	26	22	18	150
TRH65VE							120	256.5										

Model No.	Rating Load (kgf)		Static permissible moment of load					Weight	
	C	Co	Mx(kgf-mm)	My(kgf-mm)		Mz(kgf-mm)		Block (kg)	Rail (kg/m)
			Single Block	Single Block	Double Block	Single Block	Double Block		
TRH15VN	1206	2206	16,436	14,884	70,960	14,884	70,960	0.13	1.32
TRH15VL	1343	2574	19,175	20,429	95,224	20,429	95,224	0.2	
TRH20VN	2050	3696	37,334	33,268	157,298	33,268	157,298	0.26	2.28
TRH20VL	2125	3891	39,299	36,965	176,924	36,965	176,924	0.29	
TRH20VE	2553	5058	51,089	63,229	284,163	63,229	284,163	0.38	
TRH25VN	2581	4503	52,239	43,407	207,324	43,407	207,324	0.54	3.17
TRH25VL	2875	5254	60,945	59,579	277,678	59,579	277,678	0.55	
TRH25VE	3248	6255	72,554	85,112	391,311	85,112	391,311	0.68	
TRH30VN	3807	6483	90,722	74,970	355,321	74,970	355,321	0.76	4.54
TRH30VL	4098	7203	100,803	93,100	438,966	93,100	438,966	0.85	
TRH30VE	4791	9004	126,003	147,000	677,068	147,000	677,068	1.12	
TRH35VN	5090	8346	142,722	106,070	519,799	106,070	519,799	1.31	6.27
TRH35VL	5502	9328	159,512	133,367	656,509	133,367	656,509	1.52	
TRH35VE	6667	12274	209,885	233,977	1,070,533	233,977	1,070,533	2	
TRH45VL	7572	12808	292,657	220,751	1,030,183	220,751	1,030,183	2.7	10.4
TRH45VE	8852	16010	365,821	348,554	1,598,703	348,554	1,598,703	3.58	
TRH55VL	14703	21613	571,342	411,729	2,019,184	411,729	2,019,184	3.60	
TRH55VE	17349	27377	723,699	670,530	3,148,637	670,530	3,148,637	4.70	16.1
TRH65VL	22526	31486	973,074	695,840	3,594,277	695,840	3,594,277	7.76	
TRH65VE	27895	42731	1,320,601	1,307,568	6,312,759	1,307,568	6,312,759	11.15	