

Ball bearing units and insert bearings

A supplement to SKF bearings and mounted products (pub #100-700)



TABLE OF CONTENTS

Ball bearing units nomenclature	1
Ball bearing units	2
Shaft locking methods	4
Seal and flinger options	5
Ball bearing unit radial load charts	6
Air handling units	8
Ball bearing units	10
Insert bearings introduction.	41
Insert bearings nomenclature	44
Speed ratings / Internal clearance.	45
Insert bearings	46

This catalog is intended to be used as a product reference guide only and as such contains only very basic information. This catalog is not intended to be used as a design manual. The data in this catalog is based on current information at the time of press. SKF reserves the right to make changes necessitated by technological developments. Consult SKF USA Inc. prior to design change or order placement.

Additional information on mounting, dismounting, lubrication, and maintenance of SKF products can be found in the SKF Bearing Installation and Maintenance Guide (publication #140-710).

Any reference in this catalog to SKF Applications Engineering is making reference to the SKF USA Inc. Applications Engineering Department that can be reach through the SKF Technical Hotline at 1-888-753-2000.

SKF does not guarantee the continued performance of any mounted unit where the insert bearing is replaced or modified by the customer.

How to reach SKF USA Inc.

Customer service: 1-888-753-3477

Technical hotline: 1-888-753-2000

Email: skfusainfo@skf.com

Website: www.skfusa.com

Online store: www.ptplace.com



Ball bearing units

P2BL 207 WF W64

Housing style		ISO reference	Shaft size	Suffix
F2B	Flange, two-bolt, cast iron	FYT	Inch First digit: number of inches Second and third digits: number of sixteenths of an inch Example: 207 indicates $2\frac{7}{16}$ (unit)	Insert bearing selections (WF W64): TF Set screw lock, seals and flingers, wide inner ring, YAR series insert RM Set screw lock, seals, narrow inner ring, YAT series insert FM Eccentric lock, seals, narrow inner ring, YET series insert WF Eccentric lock, seals and flingers, wide inner ring, YEL series insert LF ConCentra™ lock, seals and flingers, wide inner ring, YSP series insert
F4B	Flange, four-bolt, cast iron	FY		
F4BM	Flange, four-bolt, cast iron, medium duty	FYM	Metric First two digits: number of millimeters Example: 25M indicates 25mm (or millimeters)	Additional options (WF W64): VA228 High temperature bearings with graphite cage VA201 High temperature bearings with graphite paste W64 Solid Oil -AH Air handling unit – anti rotation pin
P2B	Pillow block, cast iron	SY		
P2BL	Pillow block, cast iron, low center height	SYH	S $1\frac{1}{4}$ " bore, fitted into a housing that usually accommodates a $1\frac{3}{16}$ " insert bearing	
P2BM	Pillow block, cast iron, medium duty	SYM		
P2BX	Pillow block, pressed steel	S		
P2BT	Tapped-base pillow block, threaded base, cast iron	SYF		
WSTU	Wide slot take-up, cast iron	TU		
ECY	End cover – order separately	ECY		

Ball bearing units

Ball bearing units consist of a precision wide inner ring bearing assembled into a housing made of cast iron or pressed steel. Units are prelubricated and are designed to slip fit on to the shaft. Locking method is either set screw locking, eccentric self-locking or concentric.

On cast iron and pressed steel units, the outside diameter of the bearing and the inside diameter of the housing are

sphered, allowing the bearing to swivel within the housing to accommodate initial alignment.

There are numerous bearing and housing combinations to accommodate a diversity of mounting surfaces, load requirements, shaft sizes and dimensional requirements. Housing types include: pillow blocks, flange units, take-up units, flange units, and tapped base units.



P2B – Pillow blocks

Pillow block housings, the most popular housing design for mounted bearings, are available in several series. All are designed to support loads primarily directed through the base. The P2B series housing has a standard base-to-center height. The P2BL series features a low center height with a base-to-center height typically 1/16" lower than the P2B series. The PTBM series – medium duty

housings accommodate a larger bearing for a given shaft size, resulting in a greater load carrying capacity.

All three housing series are supplied with a grease fitting for relubrication, have slotted bolt holes for adjustments during installation and provide for initial bearing alignment. For more detailed information see data tables.



F4B – Four-bolt flange units

Four-bolt cast iron flange units are designed to support shafts through walls, bulkheads and other flat surfaces. The housing mounts flush to the surface and the load is carried by the four mounting bolts. F4BM – medium duty housings accommodate a larger bearing

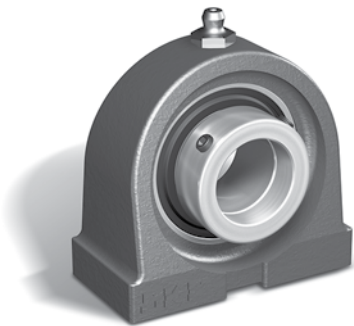
for a given shaft size, resulting in a greater load carrying capacity. Both series are supplied with a grease fitting for relubrication and provide for initial bearing alignment. For more detailed information see data tables.



F2B – Two-bolt cast iron flange units

Two-bolt cast iron flange units support shafts through walls, bulkheads and other flat surfaces but have a more compact two-bolt design. F2BM – medium duty housings accommodate a larger bearing for a given shaft size, resulting in a greater load

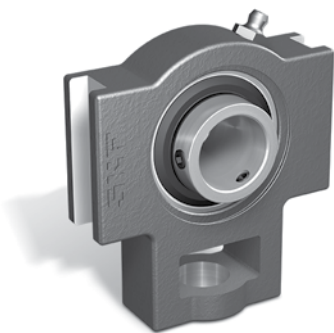
carrying capacity. Both series are supplied with a grease fitting for relubrication and provide for initial bearing alignment. For more detailed information see data tables.



P2BT – Tapped base units

Tapped base housings are a variation of pillow block housings. Their design is optimized for radial loads acting in the direction of the base or the support surface. Tapped base units have a

narrow width for tight areas and the non-tensioning end of conveyors. For more detailed information see data tables.

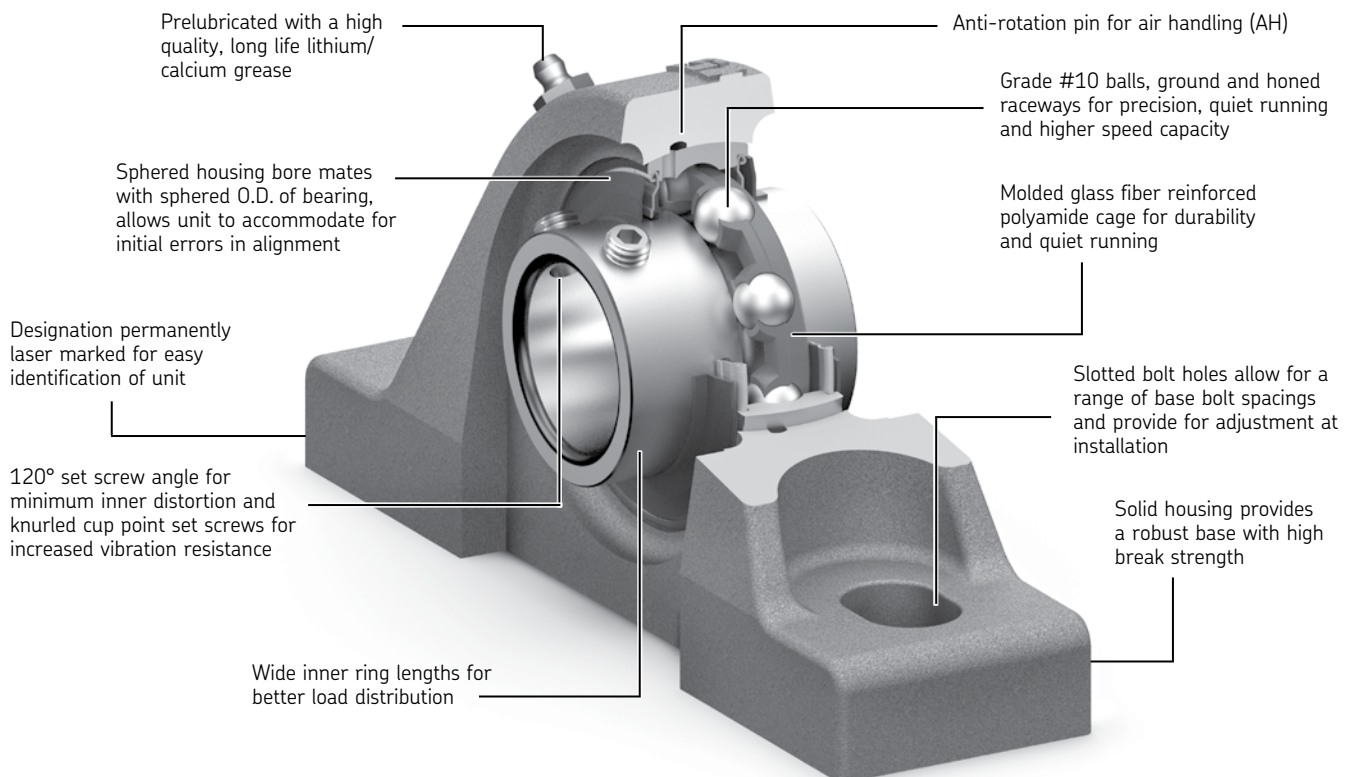


WSTU – Center pull cast iron take-up units

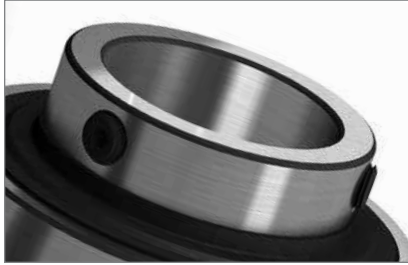
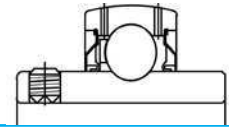
These take-up units are typically used in conjunction with a customer supplied frame for belt or shaft tensioning in conveyor, elevator and power transmission applications. A wide slot for the frame guide

is standard. Bearings are supplied with a grease fitting for relubrication and provide for initial bearing alignment. For more detailed information see data tables.

Ball bearing units – features



Shaft locking methods

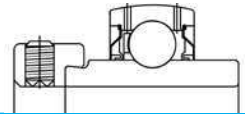


Set screw locking (RM, TF, TF-AH)

Set screw locking features two set screws 120° apart. This placement of the set screws maximizes holding power while minimizing inner ring distortion. Other factors such as zone hardening of the bearing inner ring,

drilling and tapping after heat treat, proper screw length, a knurled cup point set screw and a forged set screw socket have been incorporated to further enhance holding power and vibration resistance (backout).

Insert bearing designations – YAT, YAR

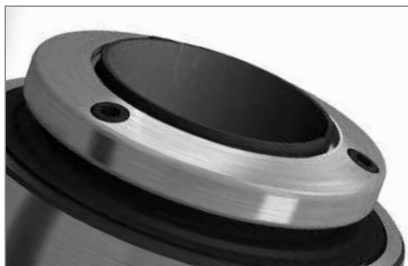
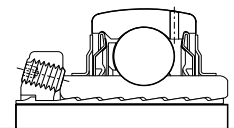


Eccentric self-locking (FM, WF, WF-AH)

Eccentric self-locking features a machined collar and bearing inner ring which act as mating cams when assembled on the shaft. When the collar is engaged on the bearing inner ring, and turned in the direction of shaft rotation, it grips the shaft firmly with

a binding action that further increases with rotation. The single set screw in the collar firmly secures the position of the eccentric collar and does less damage to shaft than normal set screw lock. This locking method is recommended for most applications except where reversing shaft rotation is involved.

Insert bearing designations – YEL, YET



ConCentra™ locking (LF-AH)

ConCentra locking features SKF's patented mechanical connector that applies a near 360° concentric grip around the entire circumference of the shaft. Two paired rings with precision engineered serrations on their contact surfaces respond to axial displacement by expanding radially against the shaft.

When the mounting screws are tightened the slotted ring grips the shaft firmly at the same time assuring the bearing maintains proper internal clearance conforming to SKF recommendations. An Allen wrench with a built in torque indicator, included with every unit, quickly shows when the proper locking torque has been achieved.

Insert bearing designation – YSP-2F-AH

Seal and flinger options

Inner ring length

The bearings for ball bearing units are available in wide and narrow width inner ring designs. When space permits, the wide inner ring is the preferred choice. Shaft misalignment relative to the bearing bore is minimized with the wide inner ring since the load is distributed over a greater shaft area. The narrow inner ring is used when space is limited.

Misalignment

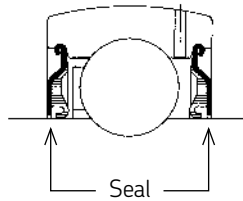
Ball bearing units can compensate for up to $\pm 5^\circ$ of static misalignment. However, in the cast iron housings when it is desirable to relubricate the bearings, initial errors in alignment should not exceed $\pm 2^\circ$ for basic bearings size 211 and smaller and $\pm 1.5^\circ$ for larger sizes. Misalignment greater than this will prevent the lubrication holes in the outer ring of the bearing from lining up with the groove in the housing bore, and the bearings will also not be relubricated.

Grease fill

Generally speaking, wide inner ring bearings are designed to operate without relubrication under normal speed and operating conditions. All wide inner ring bearings are sealed at both sides with rubbing contact seals and are filled with a special, long life grease with a Lithium/Calcium thickener/soap, and an NLGI #2 consistency. The grease has good corrosion inhibiting properties and is suitable for operating temperatures from -20°F to 250°F . However, under extreme conditions or in heavily contaminated environments, it may be necessary to relubricate the bearings. Reference the SKF General Catalog (6000EN) for relubrication intervals.

Cages

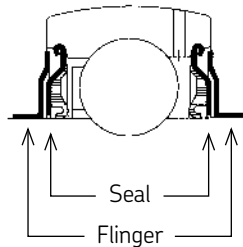
All wide inner ring bearings are fitted with an injection molded, heat stabilized, glass fiber reinforced polyamide 6.6 cage. This material has a favorable combination of strength and elasticity and cages of this material have given excellent performance in a wide variety of applications. The friction of these cages is low and they have excellent running properties under adverse conditions. Additionally, the cages promote quiet operation. The operating temperature range for the cage is -40°F to 250°F .



FM, RM designation series seal

Seals are standard on FM and RM series housed units. This grease-purgeable contact seal is comprised of a wear resistant elastomer lip bonded to a steel trash guard.

The lip rides on the precision ground surface of the inner ring providing positive exclusion of dust, moisture and other contaminants.



TF, LF, and WF designation series seal and flinger

The 2F seal is standard on TF, LF and WF series housed units. It consists of the basic seal and a flinger mounted outboard. The flinger provides extra protection of the contact element and serves to "fling" large contaminants away from the seal opening.

This seal has tested extremely effective in a variety of contamination conditions including agricultural applications and very dirty environments.

The NBR contact seals are limited to a continuous operating range of -40°F to 210°F , with brief periods up to 250°F .

Ball bearing units

Radial loads – standard series

This table may be used to select series P2B and P2BL pillow blocks, F2B and F4B flanged units, P2BT tapped base units and WSTU take-up units.

Determine the operating speed and life required. Then select a unit having a bearing radial load rating equal to or greater than the actual radial load.

The loads listed in this table are calculated to give the indicated L10 basic rating life (hours at speed) and are in accordance with ANSI/ABMA standard 9 – load ratings and fatigue life for ball bearings. A life adjustment factor (a23) of 1.0 has been used throughout.

These loads are for horizontally mounted shafts with the radial load directed downward toward the base of the pillow block.

When the load is heavy, C / P <6.6, a press fit must be used. In the table, this is the area shaded in white.

Table 1

Bearing radial load in pounds for given speed and life – standard duty											
Nominal shaft diameter		L10 basic rating life			Speed RPM						
mm	in	hrs	50	100	200	500	1 000	1 800	3 000	3 600	5 000
12.70	1/2	5,000	872	692	549	405	321	264	223	210	188
15.88	5/8	10,000	692	549	436	321	255	210	177	166	149
		20,000	549	436	346	255	202	166	140	132	118
		50,000	405	321	255	188	149	123	103	97	87
		100,000	321	255	202	149	118	97	82	77	69
19.05	3/4	5,000	1,160	920	731	538	427	351	296	279	250
		10,000	920	731	580	427	339	279	235	221	198
		20,000	731	580	460	339	269	221	187	176	157
		50,000	538	427	339	250	198	163	137	129	116
		100,000	427	339	269	198	157	129	109	103	92
20.64	13/16	5,000	1,277	1,014	805	593	471	387	326	307	275
22.22	7/8	10,000	1,014	805	639	471	373	307	259	244	218
23.81	15/16	20,000	805	639	507	373	296	244	206	193	173
25.40	1	50,000	593	471	373	275	218	180	151	143	128
		100,000	471	373	296	218	173	143	120	113	101
26.99	1 1/16	5,000	1,780	1,413	1,121	826	656	539	455	428	384
28.58	1 1/8	10,000	1,413	1,121	890	656	520	428	361	340	304
30.16	1 3/16	20,000	1,121	890	706	520	413	340	286	270	242
31.75	1 1/4	50,000	826	656	520	384	304	250	211	199	178
		100,000	656	520	413	304	242	199	168	158	141
31.75	1 1/4	5,000	2,327	1,847	1,466	1,080	857	705	595	559	501
33.34	1 5/16	10,000	1,847	1,466	1,164	857	681	559	472	444	398
34.92	1 3/8	20,000	1,466	1,164	924	681	540	444	375	352	316
36.51	1 7/16	50,000	1,080	857	681	501	398	327	276	260	233
		100,000	857	681	540	398	316	260	219	206	185
38.10	1 1/2	5,000	2,802	2,224	1,765	1,301	1,032	849	716	673	604
		10,000	2,224	1,765	1,401	1,032	819	673	568	535	479
		20,000	1,765	1,401	1,112	819	650	535	451	424	380
		50,000	1,301	1,032	819	604	479	394	332	313	280
		100,000	1,032	819	650	479	380	313	264	248	222
41.28	1 5/8	5,000	3,029	2,404	1,908	1,406	1,116	917	774	728	653
42.86	1 11/16	10,000	2,404	1,908	1,514	1,116	886	728	614	578	518
44.45	1 3/4	20,000	1,908	1,514	1,202	886	703	578	487	459	411
		50,000	1,406	1,116	886	653	518	426	359	338	303
		100,000	1,116	886	703	518	411	338	285	268	240
49.21	1 15/16	5,000	3,203	2,542	2,018	1,487	1,180	970	818	770	700
		10,000	2,542	2,018	1,602	1,180	937	770	649	611	548
		20,000	2,018	1,602	1,271	937	743	611	515	485	435
		50,000	1,487	1,180	937	690	548	450	380	357	317
		100,000	1,180	937	743	548	435	357	301	284	254
50.80	2	5,000	3,978	3,157	2,506	1,846	1,465	1,205	1,016	956	863
55.56	2 3/16	10,000	3,157	2,506	1,989	1,465	1,163	956	806	759	683
		20,000	2,506	1,989	1,579	1,163	923	759	640	602	538
		50,000	1,846	1,465	1,163	857	680	559	472	444	398
		100,000	1,465	1,163	923	680	540	444	374	352	312
57.15	2 1/4	5,000	4,825	3,830	3,040	2,240	1,778	1,461	1,233	1,160	1,043
61.91	2 7/16	10,000	3,830	3,040	2,413	1,778	1,411	1,160	978	921	821
		20,000	3,040	2,413	1,915	1,411	1,120	921	776	731	653
		50,000	2,240	1,778	1,411	1,040	825	678	572	538	479
		100,000	1,778	1,411	1,120	825	655	538	454	427	380
63.50	2 1/2	5,000	5,231	4,152	3,295	2,428	1,927	1,584	1,336	1,257	1,130
68.26	2 11/16	10,000	4,152	3,295	2,615	1,927	1,529	1,257	1,060	998	898
		20,000	3,295	2,615	2,076	1,529	1,214	998	842	792	700
		50,000	2,428	1,927	1,529	1,127	894	735	620	584	518
		100,000	1,927	1,529	1,214	894	710	584	492	463	408
69.85	2 3/4	5,000	6,042	4,795	3,806	2,804	2,226	1,830	1,543	1,452	1,312
74.61	2 15/16	10,000	4,795	3,806	3,021	2,226	1,767	1,452	1,225	1,153	1,038
		20,000	3,806	3,021	2,398	1,767	1,402	1,153	972	916	812
		50,000	2,804	2,226	1,767	1,302	1,033	849	716	674	598
		100,000	2,226	1,767	1,402	1,033	820	674	569	538	479
87.31	3 7/16	5,000	8,677	6,887	5,466	4,028	3,197	2,628	2,186	2,086	1,886
		10,000	6,887	5,466	4,339	3,197	2,537	2,086	1,716	1,656	1,486
		20,000	5,466	4,339	3,444	2,537	2,014	1,656	1,386	1,326	1,186
		50,000	4,028	3,197	2,537	1,869	1,484	1,220	1,000	940	830
		100,000	3,197	2,537	2,014	1,484	1,178	968	800	750	660
100.01	3 15/16	5,000	11,272	8,947	7,101	5,232	4,153	3,414	2,816	2,676	2,376
101.60	4	10,000	8,947	7,101	5,636	4,153	3,296	2,710	2,256	2,151	1,916
		20,000	7,101	5,636	4,473	3,296	2,616	2,151	1,786	1,716	1,536
		50,000	5,232	4,153	3,296	2,429	1,928	1,585	1,316	1,256	1,116
		100,000	4,153	3,296	2,616	1,928	1,530	1,258	1,046	986	866

Ball bearing units

Radial loads – medium series

This table may be used to select series P2BM pillow blocks, F2BM and F4BM flanged units, and WSTU take-up units.

Determine the operating speed and life required. Then select a unit having a bearing radial load rating equal to or greater than the actual radial load.

The loads listed in this table are calculated to give the indicated L10 basic rating life (hours at speed) and are in accordance with ANSI/ABMA standard 9 – load ratings and fatigue life for ball bearings. A life adjustment factor (a23) of 1.0 has been used throughout.

These loads are for horizontally mounted shafts with the radial load directed downward toward the base of the pillow block.

When the load is heavy, $C/P < 6.6$, a press fit must be used. In the table, this is the area shaded in white.

Table 2

Bearing radial load in pounds for given speed and life – medium duty

Nominal shaft diameter		L10 basic rating life			Speed RPM							
mm	in	hrs	50	100	200	500	1 000	1 800	3 000	3 600	5 000	
36.51	1 7/16	5,000	2,802	2,224	1,765	1,301	1,032	849	716	673	604	
		10,000	2,224	1,765	1,401	1,032	819	673	568	535	479	
		20,000	1,765	1,401	1,112	819	650	535	451	424	380	
		50,000	1,301	1,032	819	604	479	394	332	313	280	
		100,000	1,032	819	650	479	380	313	264	248	222	
38.10	1 1/2	5,000	3,029	2,404	1,908	1,406	1,116	917	774	728	653	
		10,000	2,404	1,908	1,514	1,116	886	728	614	578	518	
		20,000	1,908	1,514	1,202	886	703	578	487	459	411	
		50,000	1,406	1,116	886	653	518	426	359	338	303	
		100,000	1,116	886	703	518	411	338	285	268	240	
42.86	1 11/16	5,000	3,203	2,542	2,018	1,487	1,180	970	818	770	770	
		10,000	2,542	2,018	1,602	1,180	937	770	649	611	611	
44.45	1 3/4	20,000	2,018	1,602	1,271	937	743	611	515	485	485	
		50,000	1,487	1,180	937	690	548	450	380	357	357	
		100,000	1,180	937	743	548	435	357	301	284	284	
49.21	1 15/16	5,000	3,978	3,157	2,506	1,846	1,465	1,205	1,016	956	956	
		10,000	3,157	2,506	1,989	1,465	1,163	956	806	759	759	
		20,000	2,506	1,989	1,579	1,163	923	759	640	602	602	
		50,000	1,846	1,465	1,163	857	680	559	472	444	444	
		100,000	1,465	1,163	923	680	540	444	374	352	352	
55.56	2 3/16	5,000	4,825	3,830	3,040	2,240	1,778	1,461	1,233	1,160	1,160	
		10,000	3,830	3,040	2,413	1,778	1,411	1,160	978	921	921	
		20,000	3,040	2,413	1,915	1,411	1,120	921	776	731	731	
		50,000	2,240	1,778	1,411	1,040	825	678	572	538	538	
		100,000	1,778	1,411	1,120	825	655	538	454	427	427	
61.91	2 7/16	5,000	5,677	4,506	3,576	2,635	2,091	1,719	1,450	1,450	1,450	
		10,000	4,506	3,576	2,838	2,091	1,660	1,365	1,151	1,151	1,151	
63.50	2 1/2	20,000	3,576	2,838	2,253	1,660	1,317	1,083	913	873	873	
		50,000	2,635	2,091	1,660	1,223	971	798	673	633	633	
		100,000	2,091	1,660	1,317	971	770	633	534	534	534	
68.26	2 11/16	5,000	6,042	4,795	3,806	2,804	2,226	1,830	1,543	1,543	1,543	
		10,000	4,795	3,806	3,021	2,226	1,767	1,452	1,225	1,225	1,225	
		20,000	3,806	3,021	2,398	1,767	1,402	1,153	972	972	972	
		50,000	2,804	2,226	1,767	1,302	1,033	849	716	674	674	
		100,000	2,226	1,767	1,402	1,033	820	674	569	569	569	
74.61	2 15/16	5,000	6,650	5,278	4,189	3,087	2,450	2,014	1,699	1,699	1,699	
		10,000	5,278	4,189	3,325	2,450	1,944	1,598	1,348	1,348	1,348	
76.20	3	20,000	4,189	3,325	2,639	1,944	1,543	1,269	1,070	1,070	1,070	
		50,000	3,087	2,450	1,944	1,433	1,137	935	788	788	788	
		100,000	2,450	1,944	1,543	1,137	903	742	626	626	626	
87.31	3 7/16	5,000	11,272	8,947	7,101	5,232	4,153	3,414	2,710	2,710	2,710	
		10,000	8,947	7,101	5,636	4,153	3,296	2,616	2,151	2,151	2,151	
88.90	3 1/2	20,000	7,101	5,636	4,473	3,296	2,616	2,151	1,785	1,785	1,785	
		50,000	5,232	4,153	3,296	2,429	1,928	1,585	1,258	1,258	1,258	
		100,000	4,153	3,296	2,616	1,928	1,530	1,258	1,016	1,016	1,016	

Air handling units

If you're responsible for designing high efficiency, quiet-running air handling equipment, then you know the importance of specifying the right bearing for the job.

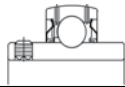
The right bearing not only meets the specific performance requirements of your air handling application, but also provides exceptional value with:

- On-time delivery
- Superior product quality
- Unsurpassed customer service
- Expert technical support

As the world leader in rolling bearing technology, SKF is aware of the need for superior bearing performance in air handling applications. That's why we've committed the resources and have developed special ball bearing units to meet the performance requirements of air handling applications.

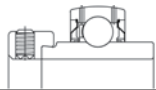
SKF air handling ball bearing units feature an anti-rotation pin that ensures the outer ring does not rotate. Ground and honed raceways and high precision balls are prelubricated with a special, long life grease with a Lithium/Calcium thickener/soap, and an NLGI #2 consistency to help ensure long service life.

Unit ball shaft locking methods



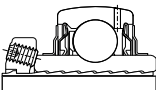
Set screw locking (RM-AH, TF-AH)

- Accommodates reverse rotation
- Optimized set screw location
- Optimized holding power
- Minimum inner ring distortion



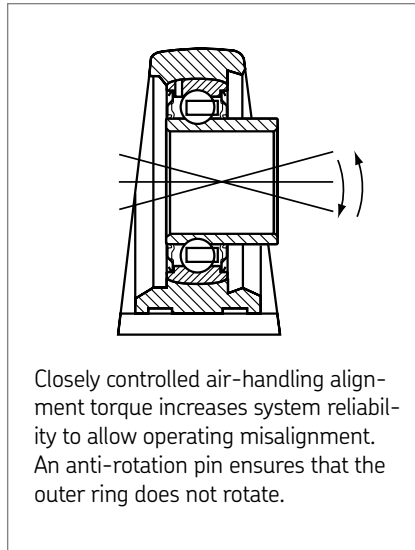
Eccentric locking (FM-AH, WF-AH)

- For rotation in one direction
- Easy to dismount
- Does less damage to shaft than normal set screw lock



ConCentra™ locking (LF-AH)

- SKF's patented mechanical connector applies a near 360° concentric grip around the shaft
- Slotted ring grips the shaft with the proper locking torque

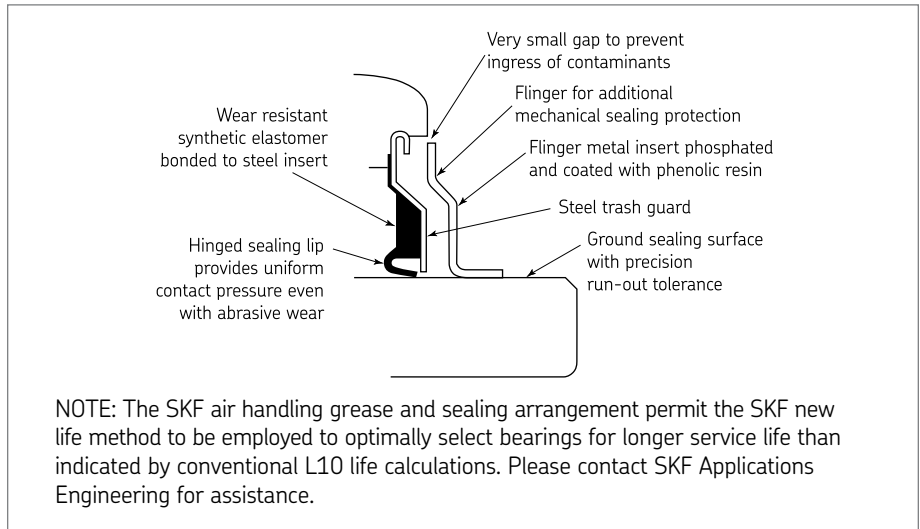


Closely controlled air-handling alignment torque increases system reliability to allow operating misalignment. An anti-rotation pin ensures that the outer ring does not rotate.

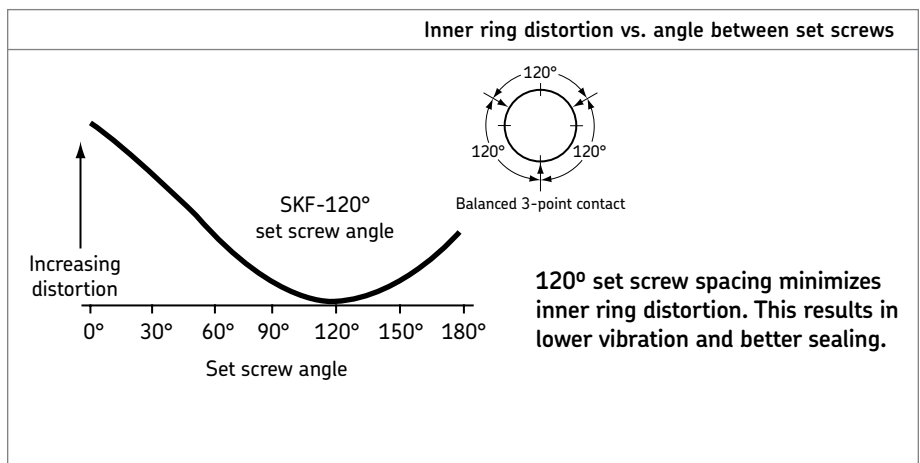
Air handling grease and sealing arrangement

Contact seals and flingers allow for high speed operation and provide superior protection from contaminants in aggressive operating environments. The seal features a land riding design and is molded of synthetic rubber.

- Start-up capability of -20° F (-29° C)
- Operating range of -20° to +210° F (-29° to +99° C)
- Good water resistance and rust protection



NOTE: The SKF air handling grease and sealing arrangement permit the SKF new life method to be employed to optimally select bearings for longer service life than indicated by conventional L10 life calculations. Please contact SKF Applications Engineering for assistance.



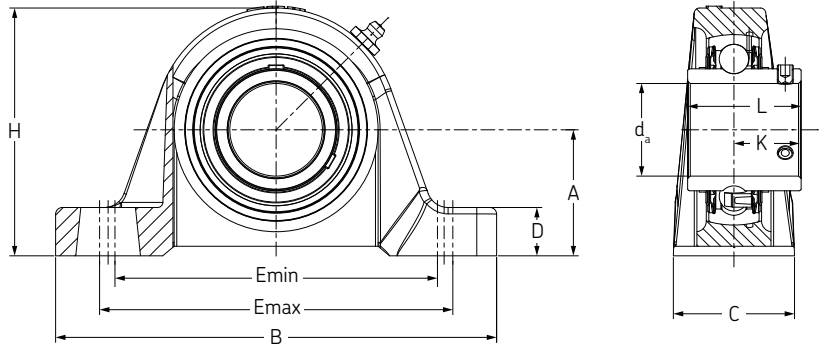
Notes

Set screw locking – pillow block

P2B-TF / standard duty & P2BM-TF / medium duty

Cast-iron housing Wide inner ring
Standard center height Seals & flingers

Replaces (standard duty): P2B-SC, YAS, NP, P3U, VPS-2, UCP
Replaces (medium duty): P2B-SCM, YASM, MP, VPS-3, UCPX



How to order

Suffix	Insert	Locking type
RM	YAT	Set screw – Seals
TF	YAR	Set screw – Seals and flingers
TF-AH	YAR	Set screw – Seals, AH unit

For bearing information see page 42.

Shaft size d _a	Unit designation	E min.	E max.	A	B	C	D	H	K	L	Bolt dia	Insert bearing designation	Dynamic capacity C	Mass
1/2	P2B 008-TF	3 1/8	4 1/8	1 3/16	5 15/32	1.268	0.469	2.219	0.626	1.079	3/8	YAR 203-008-2F	2150	1.1
5/8	P2B 010-TF	3 1/8	4 1/8	1 3/16	5 15/32	1.268	0.469	2.219	0.626	1.079	3/8	YAR 203-010-2F	2150	1.0
3/4	P2B 012-TF	3 3/8	4 1/8	1 5/16	5	1.339	0.531	2.531	0.720	1.220	3/8	YAR 204-012-2F	2850	1.3
7/8	P2B 014-TF	3 3/8	4 1/8	1 5/16	5	1.339	0.531	2.531	0.720	1.220	3/8	YAR 205-014-2F	3150	1.8
15/16	P2B 015-TF	3 3/4	4 1/2	1 7/16	5 1/2	1.500	0.625	2.781	0.780	1.343	3/8	YAR 205-015-2F	3150	1.7
1	P2B 100-TF	3 3/4	4 1/2	1 7/16	5 1/2	1.500	0.625	2.781	0.780	1.343	3/8	YAR 205-100-2F	3150	1.7
1 1/8	P2B 102-TF											YAR 206-102-2F	4380	2.8
1 3/16	P2B 103-TF	4 3/8	5 1/16	1 11/16	6 1/2	1.756	0.656	3.281	0.874	1.500	1/2	YAR 206-103-2F	4380	2.6
1 1/4	P2B 104S-TF	4 3/8	5 1/16	1 11/16	6 1/2	1.756	0.656	3.281	0.874	1.500	1/2	YAR 206-104-2F	4380	2.6
	P2B 30M-TF											YAR 206-2F	4380	2.6
1 1/4	P2B 104-TF	4 11/16	5 5/16	1 7/8	6 9/16	1.803	0.719	3.687	1.000	1.689	1/2	YAR 207-104-2F	5730	3.4
1 3/8	P2B 106-TF	4 11/16	5 5/16	1 7/8	6 9/16	1.803	0.719	3.687	1.000	1.689	1/2	YAR 207-106-2F	5730	3.3
1 7/16	P2B 107-TF	4 11/16	5 5/16	1 7/8	6 9/16	1.803	0.719	3.687	1.000	1.689	1/2	YAR 207-107-2F	5730	3.3
	P2B 35M-TF											YAR 207-2F	5730	3.3
1 7/16	P2BM 107-TF	5 3/32	5 23/32	2 1/8	7 1/4	1.921	0.813	4.094	1.189	1.937	1/2	YAR 208-107-2F	6900	4.7
1 1/2	P2B 108-TF	5 3/32	5 23/32	2 1/8	7 1/4	1.921	0.813	4.094	1.189	1.937	1/2	YAR 208-108-2F	6900	4.6
	P2B 40M-TF											YAR 208-2F	6900	4.5
1 5/8	P2B 110-TF	5 7/16	6 1/8	2 1/8	7 15/32	2.016	0.750	4.250	1.189	1.937	1/2	YAR 209-110-2F	7460	5.2
1 11/16	P2B 111-TF	5 7/16	6 1/8	2 1/8	7 15/32	2.016	0.750	4.250	1.189	1.937	1/2	YAR 209-111-2F	7460	5.1
1 3/4	P2B 112-TF	5 7/16	6 1/8	2 1/8	7 15/32	2.016	0.750	4.250	1.189	1.937	1/2	YAR 209-112-2F	7460	5.0
	P2B 45M-TF											YAR 209-2F	7460	5.0
1 11/16	P2BM 111-TF	6	6 1/2	2 1/4	8 1/8	2.189	0.750	4.563	1.283	2.031	5/8	YAR 210-111-2F	7890	6.4
1 3/4	P2BM 112-TF	6	6 1/2	2 1/4	8 1/8	2.189	0.750	4.563	1.283	2.031	5/8	YAR 210-112-2F	7890	6.0
1 15/16	P2B 115-TF	6	6 1/2	2 1/4	8 1/8	2.189	0.750	4.563	1.283	2.031	5/8	YAR 210-115-2F	7890	6.0
	P2B 50M-TF											YAR 210-2F	7890	5.8
1 15/16	P2BM 115-TF	6 15/32	6 31/32	2 1/2	8 5/8	2.319	0.875	4.969	1.315	2.189	5/8	YAR 211-115-2F	9800	7.9
2	P2B 200-TF	6 15/32	6 31/32	2 1/2	8 5/8	2.319	0.875	4.969	1.315	2.189	5/8	YAR 211-200-2F	9800	8.2
2 3/16	P2B 203-TF	6 15/32	6 31/32	2 1/2	8 5/8	2.319	0.875	4.969	1.315	2.189	5/8	YAR 211-203-2F	9800	7.7
2 3/16	P2BM 203-TF	6 7/8	7 5/8	2 3/4	9 7/16	2.425	0.875	5.563	1.563	2.563	5/8	YAR 212-203-2F	11840	10.5
2 1/4	P2B 204-TF	6 7/8	7 5/8	2 3/4	9 7/16	2.425	0.875	5.563	1.563	2.563	5/8	YAR 212-204-2F	11840	10.4
2 7/16	P2B 207-TF	6 7/8	7 5/8	2 3/4	9 7/16	2.425	0.875	5.563	1.563	2.563	5/8	YAR 212-207-2F	11840	9.8
	P2B 60M-TF											YAR 212-2F	11840	10.0
2 1/2	P2B 208-TF	7 9/16	8 7/16	3	10 7/16	2.831	1.000	6.047	1.689	2.689	3/4	YAR 213-208-2F	12850	14.0
2 11/16	P2B 211-TF	7 9/16	8 7/16	3	10 7/16	2.831	1.000	6.047	1.689	2.689	3/4	YAR 213-211-2F	12850	13.5
	P2B 65M-TF											YAR 213-2F	12850	13.9
2 7/16	P2BM 207-TF	7 27/32	8 23/32	3	10 15/32	2.839	1.109	6.142	1.563	2.752	3/4	YAR 214-207-2F	14020	15.5
2 3/4	P2B 212-TF	8 3/32	8 31/32	3 1/4	10 13/16	2.874	1.000	6.625	1.823	2.886	3/4	YAR 215-212-2F	14900	17.5
2 15/16	P2B 215-TF	8 3/32	8 31/32	3 1/4	10 13/16	2.874	1.000	6.625	1.823	2.886	3/4	YAR 215-215-2F	14900	16.9
2 15/16	P2BM 215-TF	8 1/2	9 3/4	3.5	11 1/2	3.063	1.344	6.937	1.874	3.063	3/4	YAR 216-215-2F	16360	21.2
3	P2BM 300-TF	8 1/2	9 3/4	3.5	11 1/2	3.063	1.344	6.937	1.874	3.063	3/4	YAR 216-300-2F	16360	20.9

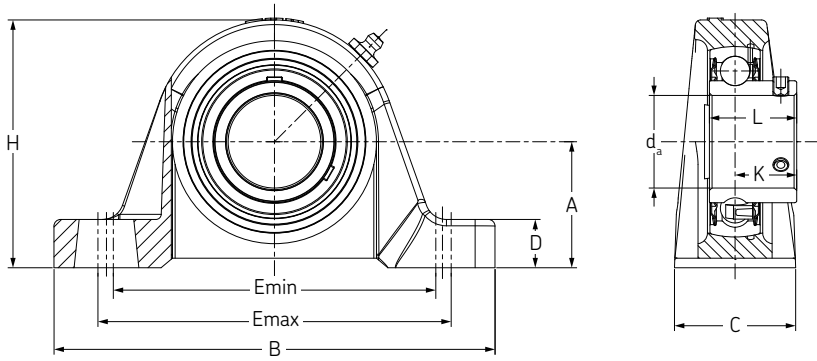
Consult SKF USA Inc. prior to design change or order placement.

Set screw locking – pillow block

P2B-RM / standard duty

Cast-iron housing
Standard center height
Narrow inner ring
Seals

Replaces: P2B-VSC, SAS, NP-C, P3S, VPS-1, BP



How to order

Suffix	Insert	Locking type
RM	YAT	Set screw – Seals
TF	YAR	Set screw – Seals and flingers
TF-AH	YAR	Set screw – Seals, AH unit

For bearing information see page 42.

Shaft size d_a	Unit designation	E min.	E max.	A	B	C	D	H	K	L	Bolt dia	Insert bearing designation	Dynamic capacity C	Mass
1/2	P2B 008-RM	3 1/8	4 1/8	1 3/16	5 15/32	1.268	0.469	2.219	0.626	0.870	3/8	YAT 203-008	2 150	1.0
5/8	P2B 010-RM	3 1/8	4 1/8	1 3/16	5 15/32	1.268	0.469	2.219	0.626	0.870	3/8	YAT 203-010	2 150	1.0
3/4	P2B 012-RM	3 3/8	4 1/8	1 5/16	5	1.339	0.531	2.531	0.720	1.004	3/8	YAT 204-012	2 850	1.3
7/8	P2B 014-RM	3 3/4	4 1/2	1 7/16	5 1/2	1.500	0.625	2.781	0.768	1.071	3/8	YAT 205-014	3 150	1.7
1	P2B 100-RM	3 3/4	4 1/2	1 7/16	5 1/2	1.500	0.625	2.781	0.768	1.071	3/8	YAT 205-100	3 150	1.6
1 1/8	P2B 102-RM	4 3/8	5 1/16	1 11/16	6 1/2	1.756	0.656	3.281	0.827	1.189	1/2	YAT 206-102	4 380	2.6
1 3/16	P2B 103-RM	4 3/8	5 1/16	1 11/16	6 1/2	1.756	0.656	3.281	0.827	1.189	1/2	YAT 206-103	4 380	2.5
1 1/4	P2B 104S-RM	4 3/8	5 1/16	1 11/16	6 1/2	1.756	0.656	3.281	0.827	1.189	1/2	YAT 206-104	4 380	2.5
1 1/4	P2B 104-RM	4 11/16	5 5/16	1 7/8	6 9/16	1.803	0.719	3.687	0.917	1.299	1/2	YAT 207-104	5 730	3.3
1 3/8	P2B 106-RM	4 11/16	5 5/16	1 7/8	6 9/16	1.803	0.719	3.687	0.917	1.299	1/2	YAT 207-106	5 730	3.2
1 7/16	P2B 107-RM	4 11/16	5 5/16	1 7/8	6 9/16	1.803	0.719	3.687	0.917	1.299	1/2	YAT 207-107	5 730	3.1
1 1/2	P2B 108-RM	5 3/32	5 23/32	2 1/8	7 1/4	1.921	0.813	4.094	0.996	1.417	1/2	YAT 208-108	6 900	4.4
1 11/16	P2B 111-RM	5 7/16	6 1/8	2 1/8	7 15/32	2.016	0.750	4.250	1.016	1.457	1/2	YAT 209-111	7 460	4.7
1 3/4	P2B 112-RM	5 7/16	6 1/8	2 1/8	7 15/32	2.016	0.750	4.250	1.016	1.457	1/2	YAT 209-112	7 460	4.7
1 15/16	P2B 115-RM	6	6 1/2	2 1/4	8 1/8	2.189	0.750	4.563	1.087	1.528	5/8	YAT 210-115	7 890	5.6
2	P2B 200-RM	6 15/32	6 31/32	2 1/2	8 5/8	2.319	0.875	4.969	1.280	1.772	5/8	YAT 211-200	9 800	7.7
2 3/16	P2B 203-RM	6 15/32	6 31/32	2 1/2	8 5/8	2.319	0.875	4.969	1.280	1.772	5/8	YAT 211-203	9 800	7.5

Set screw locking

Set screw locking – pillow block

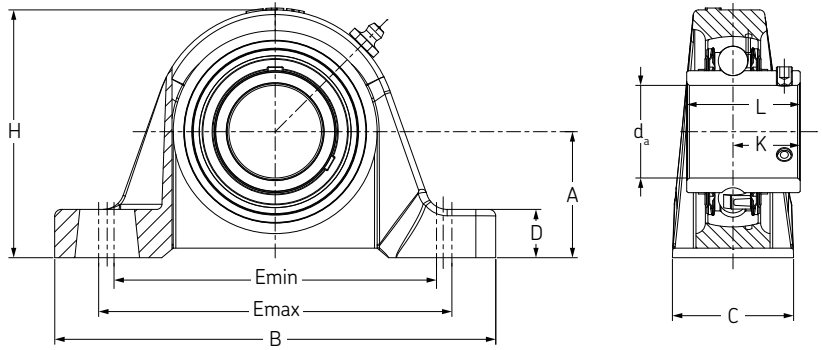
P2BL-TF / standard duty

Cast-iron housing
 Low center height
 Wide inner ring
 Seals & flingers

Replaces: P2B-SCB, YAK, NPL, PL3U, VPLS-2, UCLP

How to order

Suffix	Insert	Locking type
RM	YAT	Set screw – Seals
TF	YAR	Set screw – Seals and flingers
TF-AH	YAR	Set screw – Seals, AH unit



For bearing information see page 42.

Shaft size d _a	Unit designation	E min.	E max.	A	B	C	D	H	K	L	Bolt dia	Insert bearing designation	Dynamic capacity C	Mass
1/2	P2BL 008-TF	3 1/8	4 1/8	1 1/16	5 15/32	1.268	0.344	2.094	0.626	1.079	3/8	YAR 203-008-2F	2150	0.9
5/8	P2BL 010-TF	3 1/8	4 1/8	1 1/16	5 15/32	1.268	0.344	2.094	0.626	1.079	3/8	YAR 203-010-2F	2150	0.9
3/4	P2BL 012-TF	3 3/8	4 1/8	1 1/4	5	1.339	0.469	2.469	0.720	1.220	3/8	YAR 204-012-2F	2850	1.3
7/8	P2BL 014-TF	3 3/4	4 1/2	1 5/16	5 1/2	1.500	0.500	2.656	0.780	1.343	3/8	YAR 205-014-2F	3150	1.7
15/16	P2BL 015-TF	3 3/4	4 1/2	1 5/16	5 1/2	1.500	0.500	2.656	0.780	1.343	3/8	YAR 205-015-2F	3150	1.6
1	P2BL 100-TF	3 3/4	4 1/2	1 5/16	5 1/2	1.500	0.500	2.656	0.780	1.343	3/8	YAR 205-100-2F	3150	1.6
1 1/8	P2BL 102-TF	4 3/8	5 1/16	1 9/16	6 1/2	1.756	0.531	3.156	0.874	1.500	1/2	YAR 206-102-2F	4380	2.5
1 3/16	P2BL 103-TF	4 3/8	5 1/16	1 9/16	6 1/2	1.756	0.531	3.156	0.874	1.500	1/2	YAR 206-103-2F	4380	2.5
1 1/4	P2BL 104S-TF	4 3/8	5 1/16	1 9/16	6 1/2	1.756	0.531	3.156	0.874	1.500	1/2	YAR 206-104-2F	4380	2.4
1 1/4	P2BL 104-TF	4 11/16	5 5/16	1 13/16	6 9/16	1.803	0.656	3.625	1.000	1.689	1/2	YAR 207-104-2F	5730	3.3
1 3/8	P2BL 106-TF	4 11/16	5 5/16	1 13/16	6 9/16	1.803	0.656	3.625	1.000	1.689	1/2	YAR 207-106-2F	5730	3.2
1 7/16	P2BL 107-TF	4 11/16	5 5/16	1 13/16	6 9/16	1.803	0.656	3.625	1.000	1.689	1/2	YAR 207-107-2F	5730	3.2
1 5/8	P2BL 110-TF	5 7/16	6 1/8	2 1/16	7 15/32	2.016	0.687	4.187	1.189	1.937	1/2	YAR 209-110-2F	7460	5.1
1 11/16	P2BL 111-TF	5 7/16	6 1/8	2 1/16	7 15/32	2.016	0.687	4.187	1.189	1.937	1/2	YAR 209-111-2F	7460	5.0
1 3/4	P2BL 112-TF	5 7/16	6 1/8	2 1/16	7 15/32	2.016	0.687	4.187	1.189	1.937	1/2	YAR 209-112-2F	7460	4.9
1 15/16	P2BL 115-TF	6	6 1/2	2 3/16	8 1/8	2.189	0.687	4.500	1.283	2.031	5/8	YAR 210-115-2F	7890	5.8
2	P2BL 200-TF	6 15/32	7 21/64	2 7/16	8 5/8	2.319	0.813	4.906	1.315	2.189	5/8	YAR 211-200-2F	9800	7.9
2 3/16	P2BL 203-TF	6 15/32	7 21/64	2 7/16	8 5/8	2.319	0.813	4.906	1.315	2.189	5/8	YAR 211-203-2F	9800	7.5
2 1/4	P2BL 204-TF	6 7/8	7 15/16	2 11/16	9 1/2	2.425	0.813	5.500	1.563	2.563	5/8	YAR 212-204-2F	11840	10.3
2 7/16	P2BL 207-TF	6 7/8	7 15/16	2 11/16	9 1/2	2.425	0.813	5.500	1.563	2.563	5/8	YAR 212-207-2F	11840	9.7
2 3/4	P2BL 212-TF	8 3/32	8 31/32	3 5/16	10 13/16	2.874	1.061	6.686	1.823	2.886	3/4	YAR 215-212-2F	14900	9.6
2 15/16	P2BL 215-TF	8 3/32	8 31/32	3 5/16	10 13/16	2.874	1.061	6.686	1.823	2.886	3/4	YAR 215-215-2F	14900	17.1

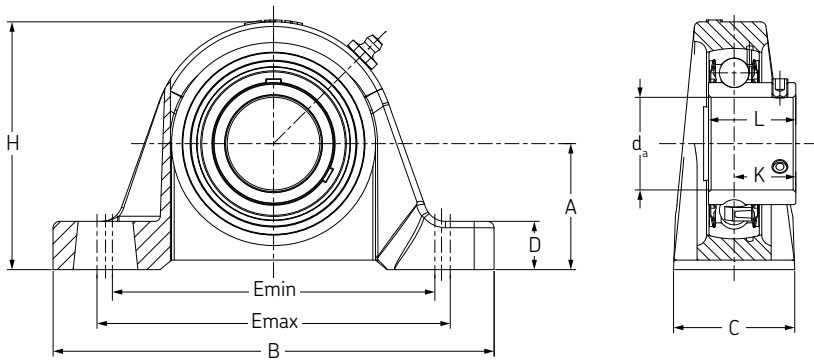
Consult SKF USA Inc. prior to design change or order placement.

Set screw locking – pillow block

P2BL-RM / standard duty

Cast-iron housing
Low center height
Narrow inner ring
Seals

Replaces: P2B-VSCB, SAK, NPL-C, PL3S, VPLS-1, BLP



How to order

Suffix	Insert	Locking type
RM	YAT	Set screw – Seals
TF	YAR	Set screw – Seals and flingers
TF-AH	YAR	Set screw – Seals, AH unit

For bearing information see page 42.

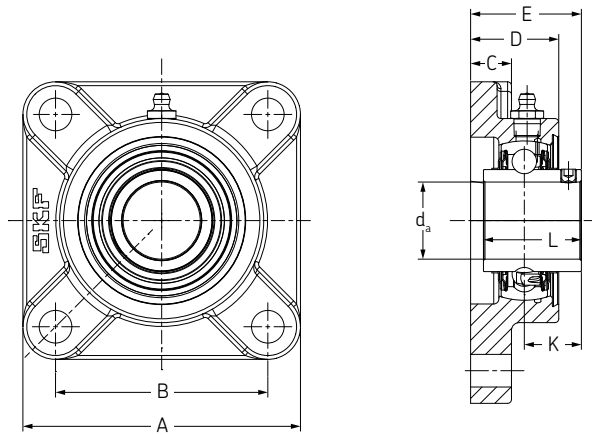
Shaft size d_a	Unit designation	E min.	E max.	A	B	C	D	H	K	L	Bolt dia	Insert bearing designation	Dynamic capacity C	Mass
1/2	P2BL 008-RM	3 1/8	4 1/8	1 1/16	5 15/32	1.268	0.344	2.094	0.626	0.870	3/8	YAT 203-008	2150	0.9
5/8	P2BL 010-RM	3 1/8	4 1/8	1 1/16	5 15/32	1.268	0.344	2.094	0.626	0.870	3/8	YAT 203-010	2150	0.9
3/4	P2BL 012-RM	3 3/8	4 1/8	1 1/4	5	1.339	0.469	2.469	0.720	1.004	3/8	YAT 204-012	2850	1.2
7/8	P2BL 014-RM	3 3/4	4 1/2	1 5/16	5 1/2	1.500	0.500	2.656	0.768	1.071	3/8	YAT 205-014	3150	1.6
1	P2BL 100-RM	3 3/4	4 1/2	1 5/16	5 1/2	1.500	0.500	2.656	0.768	1.071	3/8	YAT 205-100	3150	1.5
1 1/8	P2BL 102-RM	4 3/8	5 1/16	1 9/16	6 1/2	1.756	0.531	3.156	0.827	1.189	1/2	YAT 206-102	4380	2.4
1 3/16	P2BL 103-RM	4 3/8	5 1/16	1 9/16	6 1/2	1.756	0.531	3.156	0.827	1.189	1/2	YAT 206-103	4380	2.4
1 1/4	P2BL 104S-RM	4 3/8	5 1/16	1 9/16	6 1/2	1.756	0.531	3.156	0.827	1.189	1/2	YAT 206-104	4380	2.3
1 1/4	P2BL 104-RM	4 22/32	5 5/16	1 13/16	6 9/16	1.803	0.656	3.625	0.917	1.299	1/2	YAT 207-104	5730	3.2
1 3/8	P2BL 106-RM	4 22/32	5 5/16	1 13/16	6 9/16	1.803	0.656	3.625	0.917	1.299	1/2	YAT 207-106	5730	3.1
1 7/16	P2BL 107-RM	4 22/32	5 5/16	1 13/16	6 9/16	1.803	0.656	3.625	0.917	1.299	1/2	YAT 207-107	5730	3.0
1 1/2	P2BL 108-RM	5 3/32	5 23/32	1 15/16	7 1/4	1.921	0.813	4.000	0.996	1.417	1/2	YAT 208-108	6900	4.3
1 11/16	P2BL 111-RM	5 7/16	6 1/8	2 1/16	7 15/32	2.016	0.687	4.187	1.016	1.457	1/2	YAT 209-111	7460	4.6
1 3/4	P2BL 112-RM	5 7/16	6 1/8	2 1/16	7 15/32	2.016	0.687	4.187	1.016	1.457	1/2	YAT 209-112	7460	4.6
1 15/16	P2BL 115-RM	6	6 1/2	2 3/16	8 1/8	2.189	0.687	4.500	1.087	1.528	5/8	YAT 210-115	7890	5.5
2	P2BL 200-RM	6 15/32	7 21/64	2 7/16	8 5/8	2.319	0.813	4.906	1.280	1.772	5/8	YAT 211-200	9800	7.5
2 3/16	P2BL 203-RM	6 15/32	7 21/64	2 7/16	8 5/8	2.319	0.813	4.906	1.280	1.772	5/8	YAT 211-203	9800	7.3

Set screw locking – 4-bolt flange

F4B-TF / standard duty & F4BM-TF / medium duty

Cast-iron flange Wide inner ring
Four-bolt mounting Seals & flingers

Replaces (standard duty): F4B-SC, YCJ, SF, F3U, VF4S-2, UCF
Replaces (medium duty): F4B-SCM, YCJM, MSF, VF4S-3, UCFX



How to order

Suffix	Insert	Locking type
RM	YAT	Set screw – Seals
TF	YAR	Set screw – Seals and flingers
TF-AH	YAR	Set screw – Seals, AH unit

For bearing information see page 42.

Shaft size d _a	Unit designation	A	B	C	D	E	K	L	Bolt dia	Insert bearing designation	Dynamic capacity C	End cover	Mass
1/2	F4B 008-TF	3	2 1/8	0.437	1.094	1.283	0.626	1.079	3/8	YAR 203-008-2F	2 150	–	1.1
5/8	F4B 010-TF									YAR 203-010-2F	2 150	–	1.0
3/4	F4B 012-TF	3 3/8	2 1/2	0.374	1.134	1.472	0.720	1.220	3/8	YAR 204-012-2F	2 850	ECY 204	1.3
7/8	F4B 014-TF	3 3/4	2 3/4	0.433	1.228	1.602	0.780	1.343	7/16	YAR 205-014-2F	3 150	ECY 205	1.9
15/16	F4B 015-TF									YAR 205-015-2F	3 150	ECY 205	1.9
1	F4B 100-TF									YAR 205-100-2F	3 150	ECY 205	1.9
	F4B 25M-TF									YAR 205-2F	3 150	ECY 205	1.9
1 1/8	F4B 102-TF	4 1/4	3 1/4	0.626	1.350	1.697	0.874	1.500	7/16	YAR 206-102-2F	4 380	ECY 206	2.9
1 3/16	F4B 103-TF									YAR 206-103-2F	4 380	ECY 206	2.8
1 1/4	F4B 104S-TF									YAR 206-104-2F	4 380	ECY 206	2.8
	F4B 30M-TF									YAR 206-2F	4 380	ECY 206	2.8
1 1/4	F4B 104-TF	4 5/8	3 5/8	0.500	1.500	1.906	1.000	1.689	1/2	YAR 207-104-2F	5 730	ECY 207	3.7
1 3/8	F4B 106-TF									YAR 207-106-2F	5 730	ECY 207	3.6
1 7/16	F4B 107-TF									YAR 207-107-2F	5 730	ECY 207	3.5
1 7/16	F4BM 107-TF	5 1/8	4	0.657	1.531	2.189	1.189	1.937	1/2	YAR 208-107-2F	6 900	ECY 208	5.1
1 1/2	F4B 108-TF									YAR 208-108-2F	6 900	ECY 208	5.1
	F4B 40M-TF									YAR 208-2F	6 900	ECY 208	5.0
1 5/8	F4B 110-TF	5 3/8	4 1/8	0.720	1.563	2.189	1.189	1.937	1/2	YAR 209-110-2F	7 460	ECY 209	5.8
1 11/16	F4B 111-TF									YAR 209-111-2F	7 460	ECY 209	5.7
1 3/4	F4B 112-TF									YAR 209-112-2F	7 460	ECY 209	5.6
1 11/16	F4BM 111-TF	5 5/8	4 3/8	0.626	1.811	2.425	1.283	2.031	1/2	YAR 210-111-2F	7 890	ECY 210	6.8
1 3/4	F4BM 112-TF									YAR 210-112-2F	7 890	ECY 210	6.7
1 15/16	F4B 115-TF									YAR 210-115-2F	7 890	ECY 210	6.4
1 15/16	F4BM 115-TF	6 3/8	5 1/8	0.689	1.969	2.575	1.315	2.189	5/8	YAR 211-115-2F	9 800	ECY 211	9.7
2	F4B 200-TF									YAR 211-200-2F	9 800	ECY 211	9.6
2 3/16	F4B 203-TF									YAR 211-203-2F	9 800	ECY 211	9.2
2 3/16	F4BM 203-TF	6 7/8	5 5/8	0.689	2.157	2.906	1.563	2.563	5/8	YAR 212-203-2F	11 840	ECY 212	11.2
2 1/4	F4B 204-TF									YAR 212-204-2F	11 840	ECY 212	11.1
2 7/16	F4B 207-TF									YAR 212-207-2F	11 840	ECY 212	10.6
2 1/2	F4B 208-TF	7 3/8	5 7/8	0.874	2.311	3.189	1.689	2.689	5/8	YAR 213-208-2F	12 850	ECY 213	14.2
2 11/16	F4B 211-TF									YAR 213-211-2F	12 850	ECY 213	13.6
2 7/16	F4BM 207-TF	7 19/32	5 7/8	0.874	2.437	3.063	1.563	2.752	5/8	YAR 214-207-2F	14 020	ECY 214	16.5
2 3/4	F4B 212-TF	7 7/8	6	0.874	2.563	3.429	1.823	2.886	3/4	YAR 215-212-2F	14 900	ECY 215	17.4
2 15/16	F4B 215-TF									YAR 215-215-2F	14 900	ECY 215	16.8
2 15/16	F4BM 215-TF	7 25/32	6	0.945	2.402	3.449	1.874	3.063	7/8	YAR 216-215-2F	16 360	–	17.5
3	F4BM 300-TF									YAR 216-300-2F	16 360	–	17.2

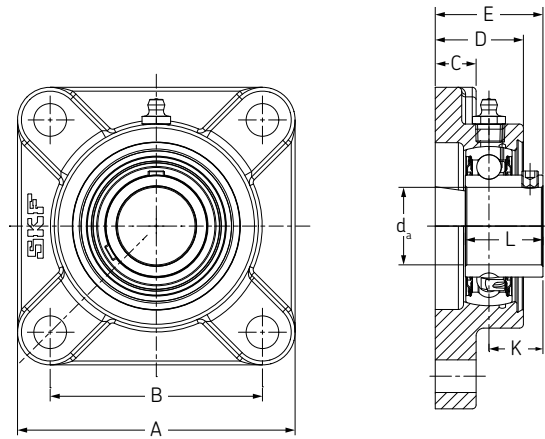
Consult SKF USA Inc. prior to design change or order placement.

Set screw locking – 4-bolt flange

F4B-RM / standard duty

Cast-iron flange
Four-bolt mounting
Narrow inner ring
Seals

Replaces: F4B-VSC, SCJ, SF-C, F3S, VF4S-1, BF



How to order

Suffix	Insert	Locking type
RM	YAT	Set screw – Seals
TF	YAR	Set screw – Seals and flingers
TF-AH	YAR	Set screw – Seals, AH unit

For bearing information see page 42.

Shaft size d _a	Unit designation	A	B	C	D	E	K	L	Bolt dia	Insert bearing designation	Dynamic capacity C	End cover	Mass
1/2	F4B 008-RM	3	2 1/8	0.437	1.094	1.283	0.626	0.870	3/8	YAT 203-008	2 150	–	1.0
5/8	F4B 010-RM												
3/4	F4B 012-RM	3 3/8	2 1/2	0.374	1.134	1.472	0.720	1.004	3/8	YAT 204-012	2 850	ECY 204	1.3
7/8	F4B 014-RM	3 3/4	2 3/4	0.433	1.228	1.591	0.768	1.071	7/16	YAT 205-014	3 150	ECY 205	1.9
1	F4B 100-RM												
1 1/8	F4B 102-RM	4 1/4	3 1/4	0.626	1.350	1.650	0.827	1.189	7/16	YAT 206-102	4 380	ECY 206	2.8
1 3/16	F4B 103-RM					1.650	0.827	1.189	7/16	YAT 206-103	4 380	ECY 206	2.8
1 1/4	F4B 104S-RM					1.650	0.827	1.189	7/16	YAT 206-104	4 380	ECY 206	2.6
1 1/4	F4B 104-RM	4 5/8	3 5/8	0.500	1.500	1.823	0.917	1.299	1/2	YAT 207-104	5 730	ECY 207	3.6
1 3/8	F4B 106-RM									YAT 207-106	5 730	ECY 207	3.5
1 7/16	F4B 107-RM									YAT 207-107	5 730	ECY 207	3.4
1 1/2	F4B 108-RM	5 1/8	4	0.657	1.531	1.996	0.996	1.417	1/2	YAT 208-108	6 900	ECY 208	4.7
1 11/16	F4B 111-RM	5 3/8	4 1/8	0.720	1.563	2.016	1.016	1.457	1/2	YAT 209-111	7 460	ECY 209	5.5
1 3/4	F4B 112-RM									YAT 209-112	7 460	ECY 209	5.4
1 15/16	F4B 115-RM	5 5/8	4 3/8	0.626	1.811	2.228	1.087	1.528	1/2	YAT 210-115	7 890	ECY 210	6.1
2	F4B 200-RM	6 3/8	5 1/8	0.689	1.969	2.539	1.280	1.772	5/8	YAT 211-200	9 800	ECY 211	9.3
2 3/16	F4B 203-RM									YAT 211-203	9 800	ECY 211	8.9

Set screw locking – 2-bolt flange

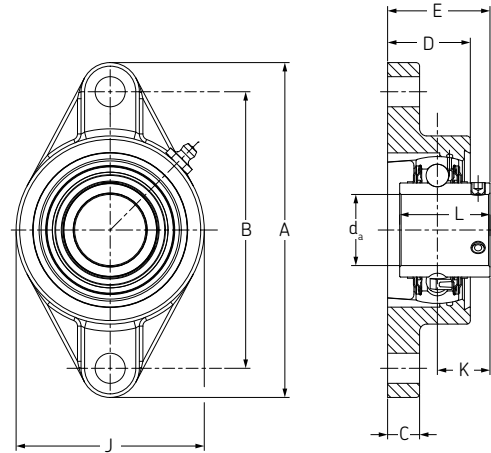
F2B-TF / standard duty

Cast-iron flange
Two-bolt mounting
Wide inner ring
Seals & flingers

Replaces: F2B-SC, YCJT, SFT, FX3U, VF2S-2, UCFT

How to order

Suffix	Insert	Locking type
RM	YAT	Set screw – Seals
TF	YAR	Set screw – Seals and flingers
TF-AH	YAR	Set screw – Seals, AH unit



For bearing information see page 42.

Shaft size d_a	Unit designation										Bolt dia	Insert bearing designation	Dynamic capacity C	End cover	Mass
		A	B	C	D	E	J	K	L						
in	mm	in								in		lbf		lb	
1/2	F2B 008-TF	3 7/8	3	0.437	0.945	1.295	2.374	0.626	1.079	3/8	YAR 203-008-2F	2 150	-	0.9	
5/8	F2B 010-TF	3 7/8	3	0.437	0.945	1.295	2.374	0.626	1.079	3/8	YAR 203-010-2F	2 150	-	0.9	
3/4	F2B 012-TF	4 7/16	3 17/32	0.437	1.142	1.469	2.374	0.720	1.220	3/8	YAR 204-012-2F	2 850	ECY 204	1.0	
7/8	F2B 014-TF	4 7/8	3 7/8	0.531	1.165	1.528	2.752	0.780	1.342	7/16	YAR 205-014-2F	3 150	ECY 205	1.5	
15/16	F2B 015-TF										YAR 205-015-2F	3 150	ECY 205	1.4	
1	F2B 100-TF										YAR 205-100-2F	3 150	ECY 205	1.4	
25	F2B 25M-TF										YAR 205-2F	3 150	ECY 205	1.4	
1 1/8	F2B 102-TF	5 9/16	4 19/32	0.531	1.374	1.701	3.126	0.874	1.500	7/16	YAR 206-102-2F	4 380	ECY 206	2.1	
1 3/16	F2B 103-TF										YAR 206-103-2F	4 380	ECY 206	2.0	
1 1/4	F2B 104S-TF										YAR 206-104-2F	4 380	ECY 206	2.0	
30	F2B 30M-TF										YAR 206-2F	4 380	ECY 206	2.1	
1 1/4	F2B 104-TF	6 1/8	5 1/8	0.563	1.469	1.906	3.626	1.000	1.689	1/2	YAR 207-104-2F	5 730	ECY 207	3.0	
1 3/8	F2B 106-TF										YAR 207-106-2F	5 730	ECY 207	2.9	
1 7/16	F2B 107-TF										YAR 207-107-2F	5 730	ECY 207	2.8	
1 1/2	F2B 108-TF	6 3/4	5 21/32	0.563	1.531	2.173	4.126	1.189	1.937	1/2	YAR 208-108-2F	6 900	ECY 208	4.0	
40	F2B 40M-TF										YAR 208-2F	6 900	ECY 208	3.9	
1 5/8	F2B 110-TF	7 1/16	5 27/32	0.563	1.752	2.173	4.374	1.189	1.937	1/2	YAR 209-110-2F	7 460	ECY 209	5.0	
1 11/16	F2B 111-TF										YAR 209-111-2F	7 460	ECY 209	4.9	
1 3/4	F2B 112-TF										YAR 209-112-2F	7 460	ECY 209	4.7	
1 15/16	F2B 115-TF	7 7/16	6 3/16	0.563	1.843	2.465	4.563	1.283	2.031	1/2	YAR 210-115-2F	7 890	ECY 210	5.2	
2	F2B 200-TF	8 1/2	7 1/4	0.811	1.969	2.614	5.252	1.315	2.189	5/8	YAR 211-200-2F	9 800	ECY 211	7.9	
2 3/16	F2B 203-TF										YAR 211-203-2F	9 800	ECY 211	7.5	

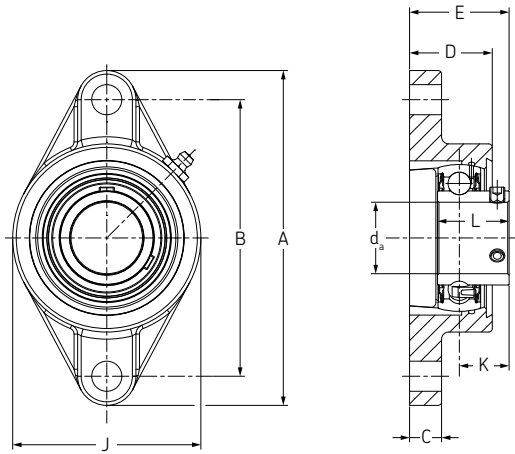
Consult SKF USA Inc. prior to design change or order placement.

Set screw locking – 2-bolt flange

F2B-RM / standard duty

Cast-iron flange
Two-bolt mounting
Set screw locking
Seals

Replaces: F2B-VSC, SCJT, SFT-C, FX3S, VF2S-1, BFT



How to order

Suffix	Insert	Locking type
RM	YAT	Set screw – Seals
TF	YAR	Set screw – Seals and flingers
TF-AH	YAR	Set screw – Seals, AH unit

For bearing information see page 42.

Shaft size d_a	Unit designation	A	B	C	D	E	J	K	L	Bolt dia	Insert bearing designation	Dynamic capacity C	End cover	Mass
		in	in	in	in	in	in	in	in					
1/2 5/8	F2B 008-RM F2B 010-RM	3 7/8	3	0.437	0.945	1.295	2.374	0.626	0.870	3/8	YAT 203-008 YAT 203-010	2 150 2 150	- -	0.9 0.9
3/4	F2B 012-RM	4 7/16	3 17/32	0.437	1.142	1.469	2.374	0.720	1.004	3/8	YAT 204-012	2 850	ECY 204	1.0
7/8 1	F2B 014-RM F2B 100-RM	4 7/8	3 7/8	0.531	1.165	1.516	2.752	0.768	1.071	7/16	YAT 205-014 YAT 205-100	3 150 3 150	ECY 205 ECY 205	1.4 1.3
1 1/8 1 3/16 1 1/4	F2B 102-RM F2B 103-RM F2B 104S-RM	5 9/16	4 19/32	0.531	1.374	1.654	3.126	0.827	1.189	7/16	YAT 206-102 YAT 206-103 YAT 206-104	4 380 4 380 4 380	ECY 206 ECY 206 ECY 206	2.0 1.9 1.9
1 1/4 1 3/8 1 7/16	F2B 104-RM F2B 106-RM F2B 107-RM	6 1/8	5 1/8	0.563	1.469	1.823	3.626	0.917	1.299	1/2	YAT 207-104 YAT 207-106 YAT 207-107	5 730 5 730 5 730	ECY 207 ECY 207 ECY 207	2.8 2.8 2.6
1 1/2	F2B 108-RM	6 3/4	5 21/32	0.563	1.531	1.980	4.126	0.996	1.417	1/2	YAT 208-108	6 900	ECY 208	3.7
1 11/16 1 3/4	F2B 111-RM F2B 112-RM	7 1/16	5 27/32	0.563	1.752	2.000	4.374	1.016	1.457	1/2	YAT 209-111 YAT 209-112	7 460 7 460	ECY 209 ECY 209	4.5 4.5
1 15/16	F2B 115-RM	7 7/16	6 3/16	0.563	1.843	2.268	4.563	1.087	1.527	1/2	YAT 210-115	7 890	ECY 210	4.9
2 2 3/16	F2B 200-RM F2B 203-RM	8 1/2	7 1/4	0.811	1.969	2.579	5.252	1.280	1.772	5/8	YAT 211-200 YAT 211-203	9 800 9 800	ECY 211 ECY 211	7.5 7.3

Set screw locking – tapped base unit

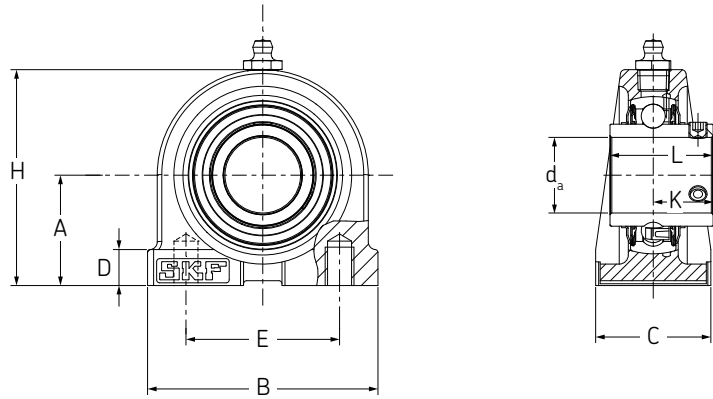
P2BT-TF / standard duty

Cast-iron housing
Threaded base
Wide inner ring
Seal & flingers

Replaces: TB-SC, YTB, TB, PT3U, VTBS-2, UCTB

How to order

Suffix	Insert	Locking type
RM	YAT	Set screw – Seals
TF	YAR	Set screw – Seals and flingers
TF-AH	YAR	Set screw – Seals, AH unit



For bearing information see page 42.

Shaft size d_a	Unit designation	E	A	B	C	D	H	K	L	Bolt dia	Insert bearing designation	Dynamic capacity C	Mass
3/4	P2BT 012-TF	2	1 5/16	2 7/8	1.500	0.437	2.563	0.720	1.220	3/8-16 UNC	YAR 204-012-2F	2 850	1.3
7/8	P2BT 014-TF	2	1 7/16	3	1.500	0.469	2.811	0.780	1.343	3/8-16 UNC	YAR 205-014-2F	3 150	1.5
15/16	P2BT 015-TF										YAR 205-015-2F	3 150	1.5
1	P2BT 100-TF										YAR 205-100-2F	3 150	1.5
	P2BT 25M-TF										YAR 205-2F	3 150	1.5
1 1/16	P2BT 101-TF	3	1 11/16	4	1.500	0.469	3.374	0.874	1.500	7/16-14 UNC	YAR 206-101-2F	4 380	2.6
1 1/8	P2BT 102-TF										YAR 206-102-2F	4 380	2.6
1 3/16	P2BT 103-TF										YAR 206-103-2F	4 380	2.5
1 1/4	P2BT 104S-TF										YAR 206-104-2F	4 380	2.5
1 1/4	P2BT 104-TF	3 1/4	1 7/8	4 1/4	1.874	0.500	3.752	1.000	1.689	1/2-13 UNC	YAR 207-104-2F	5 730	3.6
1 5/16	P2BT 105-TF										YAR 207-105-2F	5 730	3.6
1 3/8	P2BT 106-TF										YAR 207-106-2F	5 730	3.5
1 7/16	P2BT 107-TF										YAR 207-107-2F	5 730	3.5
1 1/2	P2BT 108-TF	3 1/2	1 15/16	4 5/8	1.874	0.500	3.937	1.189	1.937	1/2-13 UNC	YAR 208-108-2F	6 900	4.2
1 5/8	P2BT 110-TF	3 3/4	2 1/8	5	2.000	0.500	4.248	1.189	1.937	1/2-13 UNC	YAR 209-110-2F	7 460	5.1
1 11/16	P2BT 111-TF										YAR 209-111-2F	7 460	5.0
1 3/4	P2BT 112-TF										YAR 209-112-2F	7 460	4.9
1 15/16	P2BT 115-TF	4	2 1/4	5 1/2	2.000	0.563	4.626	1.283	2.031	5/8-11 UNC	YAR 210-115-2F	7 890	6.0

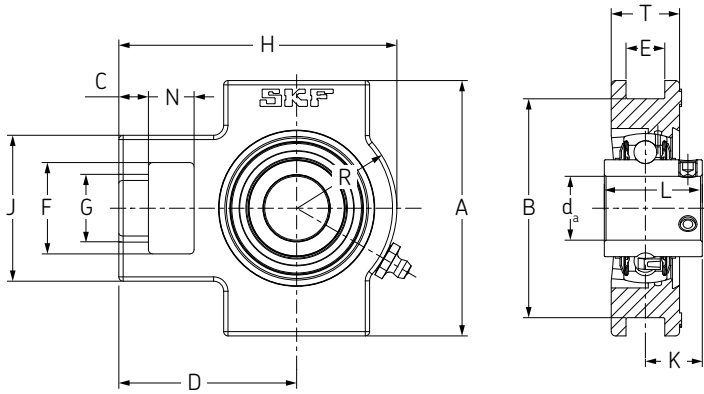
Consult SKF USA Inc. prior to design change or order placement.

Set screw locking – take-up unit

WSTU-TF / standard duty

Cast-iron housing
Wide slot
Wide inner ring
Seal & flingers

Replaces: WSTU-SC, YTU, ST, TH3U, VTWS-2, UCST



How to order

Suffix	Insert	Locking type
RM	YAT	Set screw – Seals
TF	YAR	Set screw – Seals and flingers
TF-AH	YAR	Set screw – Seals, AH unit

For bearing information see page 42.

Shaft size d_a	Unit designation	Dimensions													Insert bearing designation	Dynamic capacity C	End cover	Mass
		A	B	C	D	E	F	G	H	J	K	L	N	T				
in	mm	in														lbf		lb
3/4	WSTU 012-TF	3.50	3.00	0.41	2.41	0.53	1.25	0.69	3.72	2.00	0.72	1.22	0.63	0.81	YAR 204-012-2F	2 850	ECY 204	1.6
7/8	WSTU 014-TF														YAR 205-014-2F	3 150	ECY 205	1.8
15/16	WSTU 015-TF	3.50	3.00	0.41	2.44	0.53	1.25	0.69	3.81	2.00	0.78	1.34	0.63	0.94	YAR 205-015-2F	3 150	ECY 205	1.8
1	WSTU 100-TF														YAR 205-100-2F	3 150	ECY 205	1.7
1 1/8	WSTU 102-TF														YAR 206-102-2F	4 380	ECY 206	2.8
1 3/16	WSTU 103-TF	4.03	3.50	0.41	2.75	0.53	1.47	0.81	4.44	2.22	0.87	1.50	0.63	1.09	YAR 206-103-2F	4 380	ECY 206	2.6
1 1/4	WSTU 104S-TF														YAR 206-104-2F	4 380	ECY 206	2.6
1 1/4	WSTU 104-TF														YAR 207-104-2F	5 730	ECY 207	3.5
1 3/8	WSTU 106-TF	4.03	3.50	0.50	3.06	0.53	1.47	0.81	5.07	2.53	1.00	1.69	0.63	1.19	YAR 207-106-2F	5 730	ECY 207	3.4
1 7/16	WSTU 107-TF														YAR 207-107-2F	5 730	ECY 207	3.4
1 1/2	WSTU 108-TF														YAR 208-108-2F	6 900	ECY 208	5.3
40	WSTU 40M-TF	4.50	4.02	0.63	3.47	0.69	1.94	1.10	5.69	3.28	1.19	1.94	0.75	1.31	YAR 208-2F	6 900	ECY 208	5.2
1 5/8	WSTU 110-TF														YAR 209-110-2F	7 460	ECY 209	5.4
1 11/16	WSTU 111-TF	4.59	4.02	0.63	3.44	0.69	1.94	1.10	5.69	3.28	1.19	1.94	0.83	1.37	YAR 209-111-2F	7 460	ECY 209	5.3
1 3/4	WSTU 112-TF														YAR 209-112-2F	7 460	ECY 209	5.2
1 15/16	WSTU 115-TF														YAR 210-115-2F	7 890	ECY 210	5.6
50	WSTU 50M-TF	4.59	4.02	0.63	3.53	0.69	1.94	1.10	5.84	3.28	1.28	2.03	0.75	1.47	YAR 210-2F	7 890	ECY 210	5.5
2	WSTU 200-TF														YAR 211-200-2F	9 800	ECY 211	8.7
2 3/16	WSTU 203-TF	5.75	5.13	0.75	4.19	1.06	2.53	1.37	6.75	4.03	1.31	2.19	1.00	1.50	YAR 211-203-2F	9 800	ECY 211	8.3

Set screw locking – pillow block

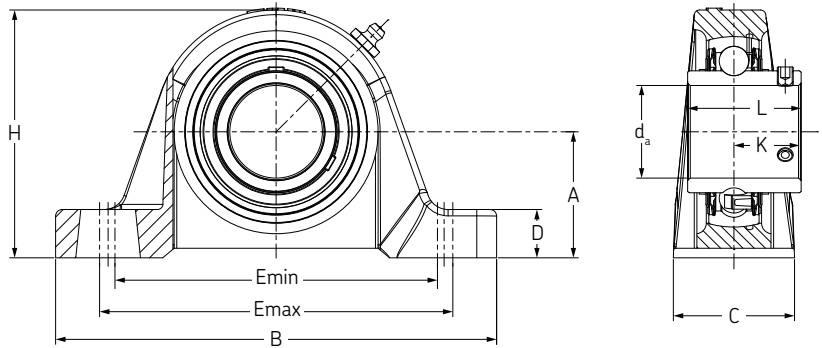
P2B-TF-AH / standard duty and medium duty

Cast-iron housing Air handling (AH)
 Standard center height Wide inner ring
 Seals & flingers

Replaces (standard duty): P2B-SCAH, NP-CXU, VPS-2 AH, UCP-AM
 Replaces (medium duty): P2B-SCMAH, MP-CXU, VPS-3 AH, UCPX-AM

How to order

Suffix	Insert	Locking type
RM	YAT	Set screw – Seals
TF	YAR	Set screw – Seals and flingers
TF-AH	YAR	Set screw – Seals, AH unit



For bearing information see page 42.

Shaft size da	Unit designation	E min.	E max.	A	B	C	D	H	K	L	Bolt dia	Insert bearing designation*	Dynamic capacity	Mass
													C	lb
in	mm	in									in		lbf	lb
1/2	P2B 008-TF-AH	3 1/8	4 1/8	1 3/16	5 15/32	1.268	0.469	2.219	0.626	1.079	3/8	YAR 203-008-2F-AH	2 150	1.1
5/8	P2B 010-TF-AH	3 1/8	4 1/8	1 3/16	5 15/32	1.268	0.469	2.219	0.626	1.079	3/8	YAR 203-010-2F-AH	2 150	1.0
3/4	P2B 012-TF-AH	3 3/8	4 1/8	1 5/16	5	1.339	0.531	2.531	0.720	1.220	3/8	YAR 204-012-2F-AH	2 850	1.3
7/8	P2B 014-TF-AH	3 3/4	4 1/2	1 7/16	5 1/2	1.500	0.625	2.781	0.780	1.343	3/8	YAR 205-014-2F-AH	3 150	1.8
15/16	P2B 015-TF-AH	3 3/4	4 1/2	1 7/16	5 1/2	1.500	0.625	2.781	0.780	1.343	3/8	YAR 205-015-2F-AH	3 150	1.7
1	P2B 100-TF-AH	3 3/4	4 1/2	1 7/16	5 1/2	1.500	0.625	2.781	0.780	1.343	3/8	YAR 205-100-2F-AH	3 150	1.7
1 1/8	P2B 102-TF-AH	4 3/8	5 1/16	1 11/16	6 1/2	1.756	0.656	3.281	0.874	1.500	1/2	YAR 206-102-2F-AH	4 380	2.8
1 3/16	P2B 103-TF-AH	4 3/8	5 1/16	1 11/16	6 1/2	1.756	0.656	3.281	0.874	1.500	1/2	YAR 206-103-2F-AH	4 380	2.6
1 1/4	P2B 104S-TF-AH	4 3/8	5 1/16	1 11/16	6 1/2	1.756	0.656	3.281	0.874	1.500	1/2	YAR 206-104-2F-AH	4 380	2.6
1 1/4	P2B 104-TF-AH	4 22/32	5 5/16	1 7/8	6 9/16	1.803	0.719	3.687	1.000	1.689	1/2	YAR 207-104-2F-AH	5 730	3.4
1 3/8	P2B 106-TF-AH	4 22/32	5 5/16	1 7/8	6 9/16	1.803	0.719	3.687	1.000	1.689	1/2	YAR 207-106-2F-AH	5 730	3.3
1 7/16	P2B 107-TF-AH	5 3/32	5 23/32	2 1/8	7 1/4	1.921	0.813	4.094	1.189	1.937	1/2	YAR 207-107-2F-AH	5 730	3.3
1 7/16	P2BM 107-TF-AH	5 3/32	5 23/32	2 1/8	7 1/4	1.921	0.813	4.094	1.189	1.937	1/2	YAR 208-107-2F-AH	6 900	4.7
1 1/2	P2B 108-TF-AH	5 3/32	5 23/32	2 1/8	7 1/4	1.921	0.813	4.094	1.189	1.937	1/2	YAR 208-108-2F-AH	6 900	4.6
1 5/8	P2B 110-TF-AH	5 7/16	6 1/8	2 1/8	7 15/32	2.016	0.750	4.250	1.189	1.937	1/2	YAR 209-110-2F-AH	7 460	5.2
1 11/16	P2B 111-TF-AH	5 7/16	6 1/8	2 1/8	7 15/32	2.016	0.750	4.250	1.189	1.937	1/2	YAR 209-111-2F-AH	7 460	5.1
1 3/4	P2B 112-TF-AH	6	6 1/2	2 1/4	8 1/8	2.189	0.750	4.563	1.283	2.031	5/8	YAR 209-112-2F-AH	7 460	5.0
1 11/16	P2BM 111-TF-AH	6	6 1/2	2 1/4	8 1/8	2.189	0.750	4.563	1.283	2.031	5/8	YAR 210-111-2F-AH	7 890	6.4
1 3/4	P2BM 112-TF-AH	6	6 1/2	2 1/4	8 1/8	2.189	0.750	4.563	1.283	2.031	5/8	YAR 210-112-2F-AH	7 890	6.0
1 15/16	P2B 115-TF-AH	6 15/32	6 31/32	2 1/2	8 5/8	2.319	0.875	4.969	1.315	2.189	5/8	YAR 210-115-2F-AH	7 890	6.0
1 15/16	P2BM 115-TF-AH	6 15/32	6 31/32	2 1/2	8 5/8	2.319	0.875	4.969	1.315	2.189	5/8	YAR 211-115-2F-AH	9 800	7.9
2	P2B 200-TF-AH	6 15/32	6 31/32	2 1/2	8 5/8	2.319	0.875	4.969	1.315	2.189	5/8	YAR 211-200-2F-AH	9 800	8.2
2 3/16	P2B 203-TF-AH	6 15/32	6 31/32	2 1/2	8 5/8	2.319	0.875	4.969	1.315	2.189	5/8	YAR 211-203-2F-AH	9 800	7.7
2 3/16	P2BM 203-TF-AH	6 15/32	6 31/32	2 1/2	8 5/8	2.319	0.875	4.969	1.315	2.189	5/8	YAR 212-203-2F-AH	11 840	10.5
2 1/4	P2B 204-TF-AH	6 7/8	7 5/8	2 3/4	9 7/16	2.425	0.875	5.563	1.563	2.563	5/8	YAR 212-204-2F-AH	11 840	10.4
2 7/16	P2B 207-TF-AH	6 7/8	7 5/8	2 3/4	9 7/16	2.425	0.875	5.563	1.563	2.563	5/8	YAR 212-207-2F-AH	11 840	9.8
2 1/2	P2B 208-TF-AH	7 9/16	8 7/16	3	10 7/16	2.831	1.000	6.047	1.689	2.689	3/4	YAR 213-208-2F-AH	12 850	14.0
2 11/16	P2B 211-TF-AH	7 9/16	8 7/16	3	10 7/16	2.831	1.000	6.047	1.689	2.689	3/4	YAR 213-211-2F-AH	12 850	13.5
2 7/16	P2BM 207-TF-AH	7 27/32	8 23/32	3	10 15/32	2.839	1.109	6.142	1.563	2.752	3/4	YAR 214-207-2F-AH	14 020	15.5
2 3/4	P2B 212-TF-AH	8 3/32	8 31/32	3 1/4	10 13/16	2.874	1.000	6.625	1.823	2.886	3/4	YAR 215-212-2F-AH	14 900	17.5
2 15/16	P2B 215-TF-AH	8 3/32	8 31/32	3 1/4	10 13/16	2.874	1.000	6.625	1.823	2.886	3/4	YAR 215-215-2F-AH	14 900	16.9
2 15/16	P2BM 215-TF-AH	8 1/2	9 3/4	3.5	11 1/2	3.063	1.344	6.937	1.874	3.063	3/4	YAR 216-215-2F-AH	16 360	21.2
3	P2BM 300-TF-AH	8 1/2	9 3/4	3.5	11 1/2	3.063	1.344	6.937	1.874	3.063	3/4	YAR 216-300-2F-AH	16 360	20.9

* AH bearings with anti-rotation pin not sold separately

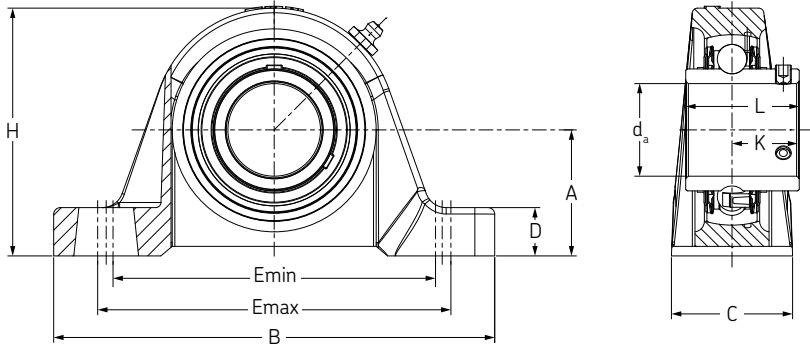
Consult SKF USA Inc. prior to design change or order placement.

Set screw locking – pillow block

P2BL-TF-AH / standard duty

Air handling (AH) Cast-iron housing
 Low center height Wide inner ring
 Seals & flingers

Replaces: P2B-SCBAH, NPL-CXU, VPLS-2 AH, UCLP AM



How to order

Suffix	Insert	Locking type
RM	YAT	Set screw – Seals
TF	YAR	Set screw – Seals and flingers
TF-AH	YAR	Set screw – Seals, AH unit

For bearing information see page 42.

Shaft size d _a	Unit designation	E min.	E max.	A	B	C	D	H	K	L	Bolt dia	Insert bearing designation*	Dynamic capacity C	Mass
1/2	P2BL 008-TF-AH	3 1/8	4 1/8	1 1/16	5 15/32	1.268	0.344	2.094	0.626	1.079	3/8	YAR 203-008-2F-AH	2 150	0.9
5/8	P2BL 010-TF-AH											YAR 203-010-2F-AH	2 150	0.9
3/4	P2BL 012-TF-AH	3 3/8	4 1/8	1 1/4	5	1.339	0.469	2.469	0.720	1.220	3/8	YAR 204-012-2F-AH	2 850	1.3
7/8	P2BL 014-TF-AH											YAR 205-014-2F-AH	3 150	1.7
15/16	P2BL 015-TF-AH	3 3/4	4 1/2	1 5/16	5 1/2	1.500	0.500	2.656	0.780	1.343	3/8	YAR 205-015-2F-AH	3 150	1.6
1	P2BL 100-TF-AH											YAR 205-100-2F-AH	3 150	1.6
1 1/8	P2BL 102-TF-AH											YAR 206-102-2F-AH	4 380	2.5
1 3/16	P2BL 103-TF-AH	4 3/8	5 1/16	1 9/16	6 1/2	1.756	0.531	3.156	0.874	1.500	1/2	YAR 206-103-2F-AH	4 380	2.5
1 1/4	P2BL 104S-TF-AH											YAR 206-104-2F-AH	4 380	2.4
1 1/4	P2BL 104-TF-AH											YAR 207-104-2F-AH	5 730	3.3
1 3/8	P2BL 106-TF-AH	4 22/32	5 5/16	1 13/16	6 9/16	1.803	0.656	3.625	1.000	1.689	1/2	YAR 207-106-2F-AH	5 730	3.2
1 7/16	P2BL 107-TF-AH											YAR 207-107-2F-AH	5 730	3.2
1 5/8	P2BL 110-TF-AH											YAR 209-110-2F-AH	7 460	5.1
1 11/16	P2BL 111-TF-AH	5 7/16	6 1/8	2 1/16	7 15/32	2.016	0.687	4.187	1.189	1.937	1/2	YAR 209-111-2F-AH	7 460	5.0
1 3/4	P2BL 112-TF-AH											YAR 209-112-2F-AH	7 460	4.9
1 15/16	P2BL 115-TF-AH	6	6 1/2	2 3/16	8 1/8	2.189	0.687	4.500	1.283	2.031	5/8	YAR 210-115-2F-AH	7 890	5.8
2	P2BL 200-TF-AH											YAR 211-200-2F-AH	9 800	7.9
2 3/16	P2BL 203-TF-AH	6 15/32	7 21/64	2 7/16	8 5/8	2.319	0.813	4.906	1.315	2.189	5/8	YAR 211-203-2F-AH	9 800	7.5
2 1/4	P2BL 204-TF-AH											YAR 212-204-2F-AH	11 840	10.3
2 7/16	P2BL 207-TF-AH	6 7/8	7 15/16	2 11/16	9 1/2	2.425	0.813	5.500	1.563	2.563	5/8	YAR 212-207-2F-AH	11 840	9.7
2 3/4	P2BL 212-TF-AH											YAR 215-212-2F-AH	14 900	9.6
2 15/16	P2BL 215-TF-AH	8 3/32	8 31/32	3 5/16	10 13/16	2.874	1.061	6.686	1.823	2.886	3/4	YAR 215-215-2F-AH	14 900	17.1

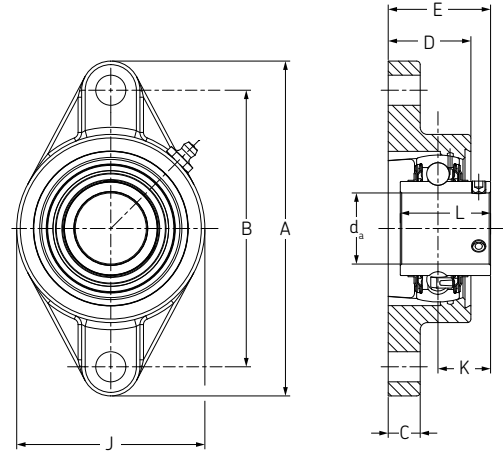
* AH bearings with anti-rotation pin not sold separately

Set screw locking – 2-bolt flange

F2B-TF-AH / standard duty

Air handling (AH) Cast-iron flange
 Two-bolt mounting Wide inner ring
 Seals & flingers

Replaces: F2B-SCAH, SFT-CXU, VF2S-2 AH, UCFT-AM



How to order

Suffix	Insert	Locking type
RM	YAT	Set screw – Seals
TF	YAR	Set screw – Seals and flingers
TF-AH	YAR	Set screw – Seals, AH unit

For bearing information see page 42.

Shaft size d _a	Unit designation	A	B	C	D	E	J	K	L	Bolt dia	Insert bearing designation*	Dynamic capacity C	End cover	Mass lb
		in	in	in	in	in	in	in	in					
1/2	F2B 008-TF-AH	3 7/8	3	0.437	0.945	1.295	2.374	0.626	1.079	3/8	YAR 203-008-2F-AH	2 150	-	0.9
5/8	F2B 010-TF-AH	3 7/8	3	0.437	0.945	1.295	2.374	0.626	1.079	3/8	YAR 203-010-2F-AH	2 150	-	0.9
3/4	F2B 012-TF-AH	4 7/16	3 17/32	0.437	1.142	1.469	2.374	0.720	1.220	3/8	YAR 204-012-2F-AH	2 850	ECY 204	1.0
7/8	F2B 014-TF-AH	4 7/8	3 7/8	0.531	1.165	1.528	2.752	0.780	1.342	7/16	YAR 205-014-2F-AH	3 150	ECY 205	1.5
15/16	F2B 015-TF-AH										YAR 205-015-2F-AH	3 150	ECY 205	1.4
1	F2B 100-TF-AH										YAR 205-100-2F-AH	3 150	ECY 205	1.4
1 1/8	F2B 102-TF-AH	5 9/16	4 19/32	0.531	1.374	1.701	3.126	0.874	1.500	7/16	YAR 206-102-2F-AH	4 380	ECY 206	2.1
1 3/16	F2B 103-TF-AH										YAR 206-103-2F-AH	4 380	ECY 206	2.0
1 1/4	F2B 104S-TF-AH										YAR 206-104-2F-AH	4 380	ECY 206	2.0
1 1/4	F2B 104-TF-AH	6 1/8	5 1/8	0.563	1.469	1.906	3.626	1.000	1.689	1/2	YAR 207-104-2F-AH	5 730	ECY 207	3.0
1 3/8	F2B 106-TF-AH										YAR 207-106-2F-AH	5 730	ECY 207	2.9
1 7/16	F2B 107-TF-AH										YAR 207-107-2F-AH	5 730	ECY 207	2.8
1 1/2	F2B 108-TF-AH	6 3/4	5 21/32	0.563	1.531	2.173	4.126	1.189	1.937	1/2	YAR 208-108-2F-AH	6 900	ECY 208	4.0
1 5/8	F2B 110-TF-AH	7 1/16	5 27/32	0.563	1.752	2.173	4.374	1.189	1.937	1/2	YAR 209-110-2F-AH	7 460	ECY 209	5.0
1 11/16	F2B 111-TF-AH										YAR 209-111-2F-AH	7 460	ECY 209	4.9
1 3/4	F2B 112-TF-AH										YAR 209-112-2F-AH	7 460	ECY 209	4.7
1 15/16	F2B 115-TF-AH	7 7/16	6 3/16	0.563	1.843	2.465	4.563	1.283	2.031	1/2	YAR 210-115-2F-AH	7 890	ECY 210	5.2
2	F2B 200-TF-AH	8 1/2	7 1/4	0.811	1.969	2.614	5.252	1.315	2.189	5/8	YAR 211-200-2F-AH	9 800	ECY 211	7.9
2 3/16	F2B 203-TF-AH										YAR 211-203-2F-AH	9 800	ECY 211	7.5

* AH bearings with anti-rotation pin not sold separately

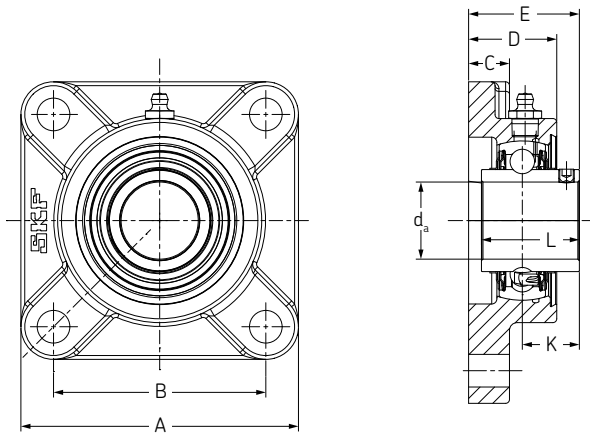
Consult SKF USA Inc. prior to design change or order placement.

Set screw locking – 4-bolt flange

F4B-TF-AH / standard duty and medium duty

Air handling (AH) Cast-iron flange
 Four-bolt mounting Wide inner ring
 Seals & flingers

Replaces (standard duty): F4B-SCAH, SF-CXU, VF4S-2 AH, UCF-AM
 Replaces (medium duty): F4B-SCMAH, MSF-CXU, VF4S-3 AH, UCFX-AM



How to order

Suffix	Insert	Locking type
RM	YAT	Set screw – Seals
TF	YAR	Set screw – Seals and flingers
TF-AH	YAR	Set screw – Seals, AH unit

For bearing information see page 42.

Shaft size d _a	Unit designation	A	B	C	D	E	K	L	Bolt dia	Insert bearing designation*	Dynamic capacity C	End cover	Mass lb
1/2	F4B 008-TF-AH	3	2 1/8	0.437	1.094	1.295	0.626	1.079	3/8	YAR 203-008-2F-AH	2 150	–	1.1
5/8	F4B 010-TF-AH									YAR 203-010-2F-AH	2 150	–	1.0
3/4	F4B 012-TF-AH	3 3/8	2 1/2	0.374	1.134	1.469	0.720	1.220	3/8	YAR 204-012-2F-AH	2 850	ECY 204	1.3
7/8	F4B 014-TF-AH	3 3/4	2 3/4	0.433	1.228	1.606	0.780	1.343	7/16	YAR 205-014-2F-AH	3 150	ECY 205	1.9
15/16	F4B 015-TF-AH									YAR 205-015-2F-AH	3 150	ECY 205	1.9
1	F4B 100-TF-AH									YAR 205-100-2F-AH	3 150	ECY 205	1.9
1 1/8	F4B 102-TF-AH	4 1/4	3 1/4	0.626	1.350	1.701	0.874	1.500	7/16	YAR 206-102-2F-AH	4 380	ECY 206	2.9
1 3/16	F4B 103-TF-AH									YAR 206-103-2F-AH	4 380	ECY 206	2.8
1 1/4	F4B 104S-TF-AH									YAR 206-104-2F-AH	4 380	ECY 206	2.8
1 1/4	F4B 104-TF-AH	4 5/8	3 5/8	0.500	1.500	1.906	1.000	1.689	1/2	YAR 207-104-2F-AH	5 730	ECY 207	3.7
1 3/8	F4B 106-TF-AH									YAR 207-106-2F-AH	5 730	ECY 207	3.6
1 7/16	F4B 107-TF-AH									YAR 207-107-2F-AH	5 730	ECY 207	3.6
1 7/16	F4BM 107-TF-AH	5 1/8	4	0.657	1.531	2.173	1.189	1.937	1/2	YAR 208-107-2F-AH	6 900	ECY 208	5.2
1 1/2	F4B 108-TF-AH									YAR 208-108-2F-AH	6 900	ECY 208	5.1
1 5/8	F4B 110-TF-AH	5 3/8	4 1/8	0.720	1.563	2.173	1.189	1.937	1/2	YAR 209-110-2F-AH	7 460	ECY 209	5.8
1 11/16	F4B 111-TF-AH									YAR 209-111-2F-AH	7 460	ECY 209	5.7
1 3/4	F4B 112-TF-AH									YAR 209-112-2F-AH	7 460	ECY 209	5.6
1 11/16	F4BM 111-TF-AH	5 5/8	4 3/8	0.626	1.811	2.425	1.283	2.031	1/2	YAR 210-111-2F-AH	7 890	ECY 210	6.8
1 3/4	F4BM 112-TF-AH									YAR 210-112-2F-AH	7 890	ECY 210	6.4
1 15/16	F4B 115-TF-AH									YAR 210-115-2F-AH	7 890	ECY 210	6.4
1 15/16	F4BM 115-TF-AH	6 3/8	5 1/8	0.689	1.969	2.575	1.315	2.189	5/8	YAR 211-115-2F-AH	9 800	ECY 211	9.4
2	F4B 200-TF-AH									YAR 211-200-2F-AH	9 800	ECY 211	9.6
2 3/16	F4B 203-TF-AH									YAR 211-203-2F-AH	9 800	ECY 211	9.2
2 3/16	F4BM 203-TF-AH	6 7/8	5 5/8	0.689	2.157	2.902	1.563	2.563	5/8	YAR 212-203-2F-AH	11 840	ECY 212	11.2
2 1/4	F4B 204-TF-AH									YAR 212-204-2F-AH	11 840	ECY 212	11.1
2 7/16	F4B 207-TF-AH									YAR 212-207-2F-AH	11 840	ECY 212	10.6
2 1/2	F4B 208-TF-AH	7 3/8	5 7/8	0.874	2.311	3.185	1.689	2.689	5/8	YAR 213-208-2F-AH	12 850	ECY 213	14.1
2 11/16	F4B 211-TF-AH									YAR 213-211-2F-AH	12 850	ECY 213	13.6
2 7/16	F4BM 207-TF-AH	7 19/32	5 7/8	0.874	2.437	3.059	1.563	2.752	5/8	YAR 214-207-2F-AH	14 020	ECY 214	16.5
2 3/4	F4B 212-TF-AH	7 7/8	6	0.874	2.563	3.437	1.823	2.886	3/4	YAR 215-212-2F-AH	14 900	ECY 215	17.4
2 15/16	F4B 215-TF-AH									YAR 215-215-2F-AH	14 900	ECY 215	16.8
2 15/16	F4BM 215-TF-AH	7 25/32	6	0.945	2.402	3.449	1.874	3.063	7/8	YAR 216-215-2F-AH	16 360	–	17.5
3	F4BM 300-TF-AH									YAR 216-300-2F-AH	16 360	–	17.3

* AH bearings with anti-rotation pin not sold separately

Eccentric locking – pillow block

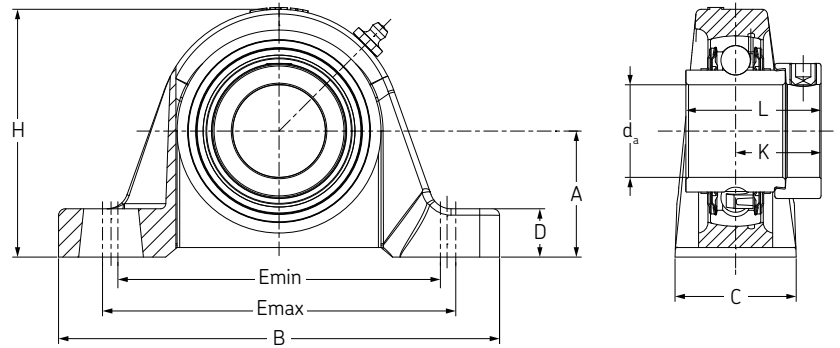
P2B-WF / standard duty

Cast-iron housing
Standard center height
Wide inner ring
Seals & flingers

Replaces: P2B-SXR, RAS, P3Y, VPE-2, UGP

How to order

Suffix	Insert	Locking type
RM	YAT	Set screw – Seals
TF	YAR	Set screw – Seals and flingers
TF-AH	YAR	Set screw – Seals, AH unit



For bearing information see page 42.

Shaft size d_a	Unit designation	E min.	E max.	A	B	C	D	H	K	L	Bolt dia	Insert bearing designation	Dynamic capacity C	Mass
3/4	P2B 012-WF	3 3/8	4 1/8	1 5/16	5	1.339	0.531	2.531	1.047	1.720	3/8	YEL 204-012-2F	2 850	1.4
1	P2B 100-WF	3 3/4	4 1/2	1 7/16	5 1/2	1.500	0.625	2.781	1.059	1.748	3/8	YEL 205-100-2F	3 150	1.8
1 1/8	P2B 102-WF	4 3/8	5 1/16	1 11/16	6 1/2	1.756	0.656	3.281	1.185	1.906	1/2	YEL 206-102-2F	4 380	2.9
1 3/16	P2B 103-WF											YEL 206-103-2F	4 380	2.9
1 1/4	P2B 104-WF	4 22/32	5 5/16	1 7/8	6 9/16	1.803	0.719	3.687	1.272	2.012	1/2	YEL 207-104-2F	5 730	3.6
1 3/8	P2B 106-WF											YEL 207-106-2F	5 730	3.5
1 7/16	P2B 107-WF											YEL 207-107-2F	5 730	3.4
1 1/2	P2B 108-WF	5 3/32	5 23/32	2 1/8	7 1/4	1.921	0.813	4.094	1.374	2.217	1/2	YEL 208-108-2F	6 900	4.9
1 3/4	P2B 112-WF	5 7/16	6 1/8	2 1/8	7 15/32	2.016	0.750	4.250	1.374	2.217	1/2	YEL 209-112-2F	7 460	5.2
1 15/16	P2B 115-WF	6	6 1/2	2 1/4	8 1/8	2.189	0.750	4.563	1.500	2.469	5/8	YEL 210-115-2F	7 890	6.3
2	P2B 200-WF	6 15/32	6 31/32	2 1/2	8 5/8	2.319	0.875	4.969	1.717	2.811	5/8	YEL 211-200-2F	9 800	8.8
2 3/16	P2B 203-WF											YEL 211-203-2F	9 800	8.3
2 7/16	P2B 207-WF	6 7/8	7 5/8	2 3/4	9 7/16	2.425	0.875	5.563	1.843	3.063	5/8	YEL 212-207-2F	11 840	10.5
2 15/16	P2B 215-WF	8 3/32	8 31/32	3 1/4	10 13/16	2.874	1.000	6.625	1.469	2.937	3/4	YEL 215-215-2F	14 900	18.0

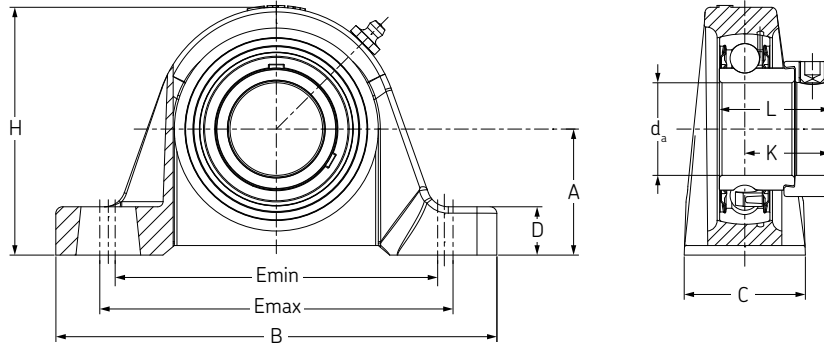
Consult SKF USA Inc. prior to design change or order placement.

Eccentric locking – pillow block

P2B-FM / standard duty

Cast-iron housing
Standard center height
Narrow inner ring
Seals

Replaces: P2B-SXV, VAS, P3W, VPE-1, KHP



How to order

Suffix	Insert	Locking type
RM	YAT	Set screw – Seals
TF	YAR	Set screw – Seals and flingers
TF-AH	YAR	Set screw – Seals, AH unit

For bearing information see page 42.

Shaft size d_a	Unit designation	E min.	E max.	A	B	C	D	H	K	L	Bolt dia	Insert bearing designation	Dynamic capacity C	Mass	
															in
1/2	P2B 008-FM	3 1/8	4 1/8	1 3/16	5 15/32	1.268	0.469	2.219	0.870	1.126	3/8	YET 203-008	2150	1.1	
5/8	P2B 010-FM	3 1/8	4 1/8	1 3/16	5 15/32	1.268	0.469	2.219	0.870	1.126	3/8	YET 203-010	2150	1.0	
3/4	P2B 012-FM	3 3/8	4 1/8	1 5/16	5	1.339	0.531	2.531	0.925	1.201	3/8	YET 204-012	2850	1.3	
7/8	25 P2B 25M-FM	3 3/4	4 1/2	1 7/16	5 1/2	1.500	0.625	2.781	0.925	1.220	3/8	YET 205	3150	1.7	
	P2B 014-FM	3 3/4	4 1/2	1 7/16	5 1/2	1.500	0.625	2.781	0.925	1.220	3/8	YET 205-014	3150	1.8	
	P2B 100-FM	3 3/4	4 1/2	1 7/16	5 1/2	1.500	0.625	2.781	0.925	1.220	3/8	YET 205-100	3150	1.7	
1 1/8	P2B 102-FM	4 3/8	5 1/16	1 11/16	6 1/2	1.756	0.656	3.281	1.051	1.406	1/2	YET 206-102	4380	2.8	
1 3/16	P2B 103-FM	4 3/8	5 1/16	1 11/16	6 1/2	1.756	0.656	3.281	1.051	1.406	1/2	YET 206-103	4380	2.8	
1 1/4	P2B 104S-FM	4 3/8	5 1/16	1 11/16	6 1/2	1.756	0.656	3.281	1.051	1.406	1/2	YET 206-104	4380	2.6	
1 1/4	P2B 104-FM	4 22/32	5 5/16	1 7/8	6 9/16	1.803	0.719	3.687	1.157	1.531	1/2	YET 207-104	5730	3.4	
1 3/8	P2B 106-FM	4 22/32	5 5/16	1 7/8	6 9/16	1.803	0.719	3.687	1.157	1.531	1/2	YET 207-106	5730	3.3	
1 7/16	P2B 107-FM	4 22/32	5 5/16	1 7/8	6 9/16	1.803	0.719	3.687	1.157	1.531	1/2	YET 207-107	5730	3.3	
1 1/2	P2B 108-FM	5 3/32	5 23/32	2 1/8	7 1/4	1.921	0.813	4.094	1.287	1.701	1/2	YET 208-108	6900	4.6	
1 11/16	P2B 111-FM	5 7/16	6 1/8	2 1/8	7 15/32	2.016	0.750	4.250	1.287	1.720	1/2	YET 209-111	7460	5.1	
1 3/4	P2B 112-FM	5 7/16	6 1/8	2 1/8	7 15/32	2.016	0.750	4.250	1.287	1.720	1/2	YET 209-112	7460	5.0	
1 15/16	P2B 115-FM	6	6 1/2	2 1/4	8 1/8	2.189	0.750	4.563	1.287	1.720	5/8	YET 210-115	7890	5.8	
2	P2B 200-FM	6 15/32	6 31/32	2 1/2	8 5/8	2.319	0.875	4.969	1.413	1.906	5/8	YET 211-200	9800	8.0	
2 3/16	P2B 203-FM	6 15/32	6 31/32	2 1/2	8 5/8	2.319	0.875	4.969	1.413	1.906	5/8	YET 211-203	9800	7.7	

Eccentric locking

Eccentric locking – pillow block

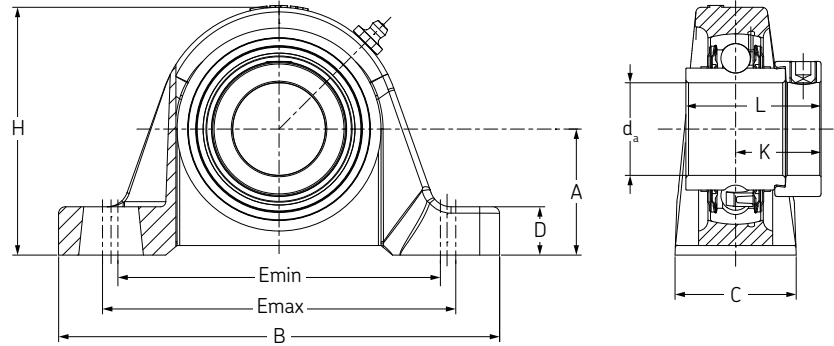
P2BL-WF / standard duty

Cast-iron housing
 Low center height
 Wide inner ring
 Seals & flingers

Replaces: P2B-SXRB, RAK, PL3Y, VPLE-2, UGAK

How to order

Suffix	Insert	Locking type
FM	YET	Eccentric collar – Seals
WF	YEL	Eccentric collar – Seals & flingers
WF-AH	YEL	Eccentric coll., Seals & flingers, AH unit



For bearing information see page 42.

Shaft size d _a	Unit designation	E min.	E max.	A	B	C	D	H	K	L	Bolt dia	Insert bearing designation	Dynamic capacity C	Mass
3/4	P2BL 012-WF	3 3/8	4 1/8	1 1/4	5	1.339	0.469	2.469	1.047	1.720	3/8	YEL 204-012-2F	2 850	1.4
1	P2BL 100-WF	3 3/4	4 1/2	1 5/16	5 1/2	1.500	0.500	2.656	1.059	1.748	3/8	YEL 205-100-2F	3 150	1.7
1 1/8	P2BL 102-WF	4 3/8	5 1/16	1 9/16	6 1/2	1.756	0.531	3.156	1.185	1.906	1/2	YEL 206-102-2F	4 380	2.8
1 3/16	P2BL 103-WF											YEL 206-103-2F	4 380	2.6
1 1/4	P2BL 104S-WF											YEL 206-104-2F	4 380	2.6
1 1/4	P2BL 104-WF	4 22/32	5 5/16	1 13/16	6 9/16	1.803	0.656	3.625	1.272	2.012	1/2	YEL 207-104-2F	5 730	3.5
1 3/8	P2BL 106-WF											YEL 207-106-2F	5 730	3.4
1 7/16	P2BL 107-WF											YEL 207-107-2F	5 730	3.3
1 1/2	P2BL 108-WF	5 3/32	5 23/32	1 15/16	7 1/4	1.921	0.813	4.000	1.374	2.217	1/2	YEL 208-108-2F	6 900	4.7
1 3/4	P2BL 112-WF	5 7/16	6 1/8	2 1/16	7 15/32	2.016	0.687	4.187	1.374	2.217	1/2	YEL 209-112-2F	7 460	5.1
1 15/16	P2BL 115-WF	6	6 1/2	2 3/16	8 1/8	2.189	0.687	4.500	1.500	2.469	5/8	YEL 210-115-2F	7 890	6.2
2	P2BL 200-WF	6 15/32	7 21/64	2 7/16	8 5/8	2.319	0.813	4.906	1.717	2.811	5/8	YEL 211-200-2F	9 800	8.6
2 3/16	P2BL 203-WF											YEL 211-203-2F	9 800	8.0
2 7/16	P2BL 207-WF	6 7/8	7 15/16	2 11/16	9 1/2	2.425	0.813	5.500	1.843	3.063	5/8	YEL 212-207-2F	11 840	10.4
2 15/16	P2BL 215-WF	8 3/32	8 31/32	3 5/16	10 13/16	2.874	1.016	6.686	1.469	2.937	3/4	YEL 215-215-2F	14 900	17.1

Consult SKF USA Inc. prior to design change or order placement.

Eccentric locking – 4-bolt flange

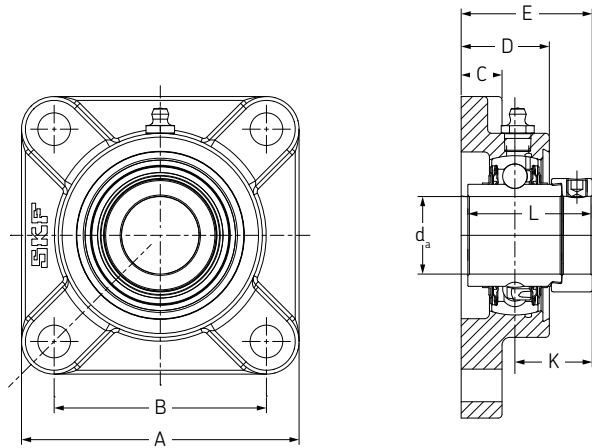
F4B-WF / standard duty

Cast-iron flange
Four-bolt mounting
Wide inner ring
Seals & flingers

Replaces: F4B-SXR, RCJ, F3Y, VF4E-2, UGSLF

How to order

Suffix	Insert	Locking type
FM	YET	Eccentric collar – Seals
WF	YEL	Eccentric collar – Seals & flingers
WF-AH	YEL	Eccentric coll., Seals & flingers, AH unit



For bearing information see page 42.

Shaft size d_a	Unit designation	A	B	C	D	E	K	L	Bolt dia	Insert bearing designation	Dynamic capacity C	End cover	Mass
3/4	F4B 012-WF	3 3/8	2 1/2	0.374	1.134	1.677	0.925	1.201	3/8	YET 204-012	2 850	ECY 204	1.4
1	F4B 100-WF	3 3/4	2 3/4	0.433	1.228	1.882	1.059	1.748	7/16	YEL 205-100-2F	3 150	ECY 205	2.0
1 1/8	F4B 102-WF	4 1/4	3 1/4	0.626	1.350	2.008	1.185	1.906	7/16	YEL 206-102-2F	4 380	ECY 206	3.1
1 3/16	F4B 103-WF									YEL 206-103-2F	4 380	ECY 206	3.0
1 1/4	F4B 104S-WF									YEL 206-104-2F	4 380	ECY 206	2.9
1 1/4	F4B 104-WF	4 5/8	3 5/8	0.500	1.500	2.177	1.272	2.012	1/2	YEL 207-104-2F	5 730	ECY 207	4.0
1 3/8	F4B 106-WF									YEL 207-106-2F	5 730	ECY 207	3.9
1 7/16	F4B 107-WF									YEL 207-107-2F	5 730	ECY 207	3.7
1 1/2	F4B 108-WF	5 1/8	4	0.657	1.531	2.374	1.374	2.217	1/2	YEL 208-108-2F	6 900	ECY 208	5.3
1 3/4	F4B 112-WF	5 3/8	4 1/8	0.720	1.563	2.374	1.374	2.217	1/2	YEL 209-112-2F	7 460	ECY 209	6.0
1 15/16	F4B 115-WF	5 5/8	4 3/8	0.626	1.811	2.642	1.500	2.469	1/2	YEL 210-115-2F	7 890	ECY 210	6.7
2	F4B 200-WF	6 3/8	5 1/8	0.689	1.969	2.976	1.717	2.811	5/8	YEL 211-200-2F	9 800	ECY 211	10.3
2 3/16	F4B 203-WF									YEL 211-203-2F	9 800	ECY 211	9.8
2 7/16	F4B 207-WF	6 7/8	5 5/8	0.689	2.157	3.185	1.843	3.063	5/8	YEL 212-207-2F	11 840	ECY 212	11.2
2 15/16	F4B 215-WF	7 7/8	6	0.874	2.563	3.764	1.469	2.937	3/4	YEL 215-215-2F	14 900	ECY 215	17.9

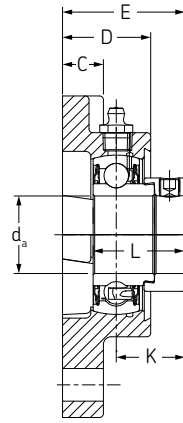
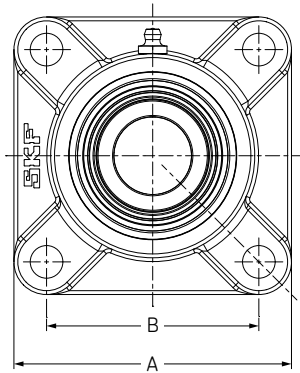
Consult SKF USA Inc. prior to design change or order placement.

Eccentric locking – 4-bolt flange

F4B-FM / standard duty

Cast-iron flange
Four-bolt mounting
Narrow inner ring
Seals

Replaces: F4B-SXV, VCJ, F3W, VF4E-1, KHF



How to order

Suffix	Insert	Locking type
FM	YET	Eccentric collar – Seals
WF	YEL	Eccentric collar – Seals & flingers
WF-AH	YEL	Eccentric coll., Seals & flingers, AH unit

For bearing information see page 42.

Shaft size d_a	Unit designation	A	B	C	D	E	K	L	Bolt dia	Insert bearing designation	Dynamic capacity C	End cover	Mass
1/2	F4B 008-FM	3	2 1/8	0.437	1.094	1.528	0.870	1.126	3/8	YET 203-008	2 150	–	1.1
5/8	F4B 010-FM									YET 203-010	2 150	–	1.1
3/4	F4B 012-FM	3 3/8	2 1/2	0.374	1.134	1.677	0.925	1.201	3/8	YET 204-012	2 850	ECY 204	1.4
7/8	F4B 014-FM	3 3/4	2 3/4	0.433	1.228	1.748	0.925	1.220	7/16	YET 205-014	3 150	ECY 205	1.9
1	F4B 100-FM									YET 205-100	3 150	ECY 205	1.9
1 1/8	F4B 102-FM	4 1/4	3 1/4	0.626	1.350	1.874	1.051	1.406	7/16	YET 206-102	4 380	ECY 206	2.9
1 3/16	F4B 103-FM									YET 206-103	4 380	ECY 206	2.9
1 1/4	F4B 104S-FM									YET 206-104	4 380	ECY 206	2.8
1 1/4	F4B 104-FM	4 5/8	3 5/8	0.500	1.500	2.063	1.157	1.531	1/2	YET 207-104	5 730	ECY 207	3.7
1 3/8	F4B 106-FM									YET 207-106	5 730	ECY 207	3.6
1 7/16	F4B 107-FM									YET 207-107	5 730	ECY 207	3.6
1 1/2	F4B 108-FM	5 1/8	4	0.657	1.531	2.287	1.287	1.701	1/2	YET 208-108	6 900	ECY 208	5.1
1 11/16	F4B 111-FM	5 3/8	4 1/8	0.720	1.563	2.287	1.287	1.720	1/2	YET 209-111	7 460	ECY 209	5.7
1 3/4	F4B 112-FM									YET 209-112	7 460	ECY 209	5.6
1 15/16	F4B 115-FM	5 5/8	4 3/8	0.626	1.811	2.429	1.287	1.720	1/2	YET 210-115	7 890	ECY 210	6.3
2	F4B 200-FM	6 3/8	5 1/8	0.689	1.969	2.673	1.413	1.906	5/8	YET 211-200	9 800	ECY 211	9.5
2 3/16	F4B 203-FM									YET 211-203	9 800	ECY 211	9.2

Eccentric locking – 2-bolt flange

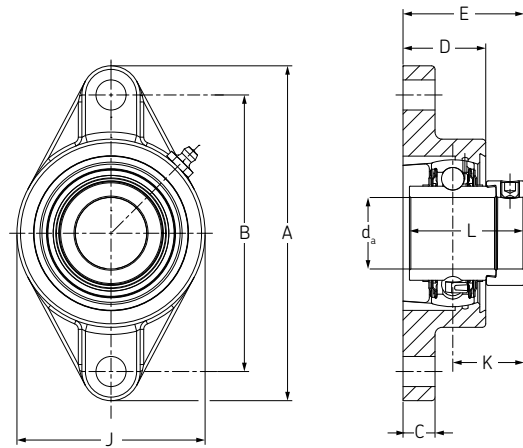
F2B-WF / standard duty

Cast-iron flange
Two-bolt mounting
Wide inner ring
Seals & flingers

Replaces: F2B-SXR, RCJT, FX3Y, VF2E-2, UGFJT

How to order

Suffix	Insert	Locking type
FM	YET	Eccentric collar – Seals
WF	YEL	Eccentric collar – Seals & flingers
WF-AH	YEL	Eccentric coll., Seals & flingers, AH unit



For bearing information see page 42.

Shaft size d_a	Unit designation	A	B	C	D	E	J	K	L	Bolt dia	Insert bearing designation	Dynamic capacity C	End cover	Mass	
															in
3/4	F2B 012-WF	4 7/16	3 17/32	0.437	1.142	1.795	2.374	1.047	1.720	3/8	YEL 204-012-2F	2 850	ECY 204	1.1	
	F2B 20M-WF										YEL 204-2F	2 850	ECY 204	1.1	
1	F2B 100-WF	4 7/8	3 7/8	0.531	1.165	1.807	2.752	1.059	1.748	7/16	YEL 205-100-2F	3 150	ECY 205	1.5	
	F2B 25M-WF										YEL 205-2F	3 150	ECY 205	1.5	
1 1/8 1 3/16	F2B 102-WF	5 9/16	4 19/32	0.531	1.374	2.012	3.126	1.185	1.905	7/16	YEL 206-102-2F	4 380	ECY 206	2.3	
	F2B 103-WF										YEL 206-103-2F	4 380	ECY 206	2.2	
1 1/4 1 3/8 1 7/16	F2B 104-WF	6 1/8	5 1/8	0.563	1.469	2.177	3.626	1.272	2.012	1/2	YEL 207-104-2F	5 730	ECY 207	3.2	
	F2B 106-WF										YEL 207-106-2F	5 730	ECY 207	3.1	
	F2B 107-WF										YEL 207-107-2F	5 730	ECY 207	3.0	
1 1/2 40	F2B 108-WF	6 3/4	5 21/32	0.563	1.531	2.358	4.126	1.374	2.216	1/2	YEL 208-108-2F	6 900	ECY 208	4.2	
	F2B 40M-WF										YEL 208-2F	6 900	ECY 208	4.1	
1 3/4	F2B 112-WF	7 1/16	5 27/32	0.563	1.752	2.358	4.374	1.374	2.216	1/2	YEL 209-112-2F	7 460	ECY 209	5.0	
1 15/16	F2B 115-WF	7 7/16	6 3/16	0.563	1.843	2.681	4.563	1.500	2.468	1/2	YEL 210-115-2F	7 890	ECY 210	5.5	
2 2 3/16	F2B 200-WF	8 1/2	7 1/4	0.811	1.969	3.016	5.252	1.717	2.811	5/8	YEL 211-200-2F	9 800	ECY 211	8.6	
	F2B 203-WF										YEL 211-203-2F	9 800	ECY 211	8.0	

Consult SKF USA Inc. prior to design change or order placement.

Eccentric locking – 2-bolt flange

F2B-FM / standard duty

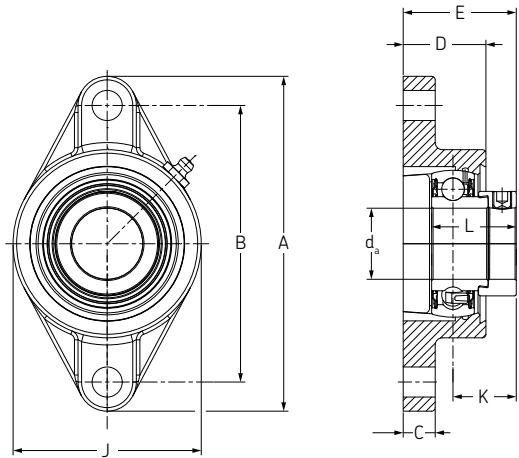
Cast-iron flange
Two-bolt mounting
Narrow inner ring
Seals

Replaces: F2B-SXV, VCJT, FX3W, VF2E-1, KHFT

How to order

Suffix	Insert	Locking type
FM	YET	Eccentric collar – Seals
WF	YEL	Eccentric collar – Seals & flingers
WF-AH	YEL	Eccentric coll., Seals & flingers, AH unit

For bearing information see page 42.



Shaft size d _a	Unit designation	A	B	C	D	E	J	K	L	Bolt dia	Insert bearing designation	Dynamic capacity C	End cover	Mass	
															in
1/2	F2B 008-FM	3 7/8	3	0.437	0.945	1.539	2.374	0.870	1.126	3/8	YET 203-008	2 150	-	0.9	
5/8	F2B 010-FM	3 7/8	3	0.437	0.945	1.539	2.374	0.870	1.126	3/8	YET 203-010	2 150	-	0.9	
3/4	F2B 012-FM	4 7/16	3 17/32	0.437	1.142	1.673	2.374	0.925	1.201	3/8	YET 204-012	2 850	ECY 204	1.1	
7/8	F2B 014-FM	4 7/8	3 7/8	0.531	1.165	1.673	2.752	0.925	1.220	7/16	YET 205-014	3 150	ECY 205	1.5	
1	F2B 100-FM	4 7/8	3 7/8	0.531	1.165	1.673	2.752	0.925	1.220	7/16	YET 205-100	3 150	ECY 205	1.4	
1 1/8	F2B 102-FM	5 9/16	4 19/32	0.531	1.374	1.878	3.126	1.051	1.405	7/16	YET 206-102	4 380	ECY 206	2.1	
1 3/16	F2B 103-FM										YET 206-103	4 380	ECY 206	2.1	
1 1/4	F2B 104S-FM										YET 206-104	4 380	ECY 206	2.0	
30	F2B 30M-FM										YET 206	4 380	ECY 206	2.1	
1 1/4	F2B 104-FM	6 1/8	5 1/8	0.563	1.469	2.063	3.626	1.157	1.531	1/2	YET 207-104	5 730	ECY 207	3.0	
1 3/8	F2B 106-FM										YET 207-106	5 730	ECY 207	2.9	
1 7/16	F2B 107-FM										YET 207-107	5 730	ECY 207	2.9	
1 1/2	F2B 108-FM	6 3/4	5 21/32	0.563	1.531	2.272	4.126	1.287	1.701	1/2	YET 208-108	6 900	ECY 208	4.0	
1 11/16	F2B 111-FM	7 1/16	5 27/32	0.563	1.752	2.272	4.374	1.287	1.72	1/2	YET 209-111	7 460	ECY 209	4.9	
1 3/4	F2B 112-FM										YET 209-112	7 460	ECY 209	4.7	
1 15/16	F2B 115-FM	7 7/16	6 3/16	0.563	1.843	2.469	4.563	1.287	1.72	1/2	YET 210-115	7 890	ECY 210	5.1	
2	F2B 200-FM	8 1/2	7 1/4	0.811	1.969	2.713	5.252	1.413	1.905	5/8	YET 211-200	9 800	ECY 211	7.8	
2 3/16	F2B 203-FM										YET 211-203	9 800	ECY 211	7.5	

Eccentric locking – tapped base unit

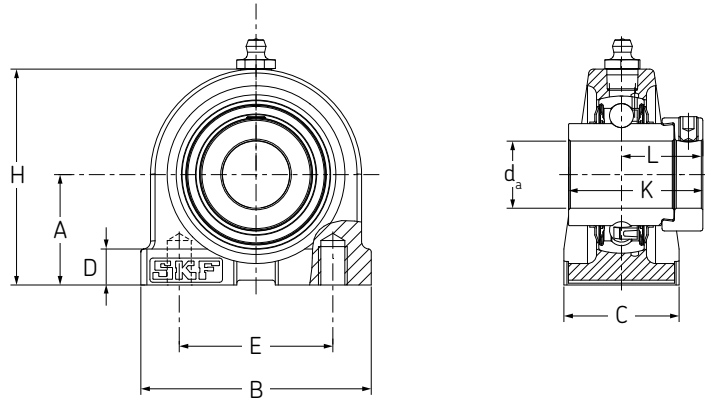
P2BT-WF / standard duty

Cast-iron housing
Threaded base
Wide inner ring
Seals & flingers

Replaces: TB-SXR, RTB, PT3Y, VTBE-2, UGTB

How to order

Suffix	Insert	Locking type
FM	YET	Eccentric collar – Seals
WF	YEL	Eccentric collar – Seals & flingers
WF-AH	YEL	Eccentric coll., Seals & flingers, AH unit



For bearing information see page 42.

Shaft size d_a	Unit designation	E	A	B	C	D	H	K	L	Bolt dia	Insert bearing designation	Dynamic capacity C	Mass
3/4	P2BT 012-WF	2	1 5/16	2 7/8	1.500	0.437	2.563	1.047	1.720	3/8-16 UNC	YEL 204-012-2F	2 850	1.4
7/8	P2BT 014-WF	2	1 7/16	3	1.500	0.469	2.811	1.059	1.748	3/8-16 UNC	YEL 205-014-2F	3 150	1.7
15/16	P2BT 015-WF										YEL 205-015-2F	3 150	1.6
1	P2BT 100-WF										YEL 205-100-2F	3 150	1.6
1 1/16	P2BT 101-WF	3	1 11/16	4	1.500	0.469	3.374	1.185	1.906	7/16-14 UNC	YEL 206-101-2F	4 380	2.9
1 1/8	P2BT 102-WF										YEL 206-102-2F	4 380	2.9
1 3/16	P2BT 103-WF										YEL 206-103-2F	4 380	2.8
1 1/4	P2BT 104S-WF										YEL 206-104-2F	4 380	2.6
1 1/4	P2BT 104-WF	3 1/4	1 7/8	4 1/4	1.874	0.500	3.752	1.272	2.012	1/2-13 UNC	YEL 207-104-2F	5 730	3.9
1 5/16	P2BT 105-WF										YEL 207-105-2F	5 730	3.9
1 3/8	P2BT 106-WF										YEL 207-106-2F	5 730	3.7
1 7/16	P2BT 107-WF										YEL 207-107-2F	5 730	3.6
1 1/2	P2BT 108-WF	3 1/2	1 15/16	4 5/8	1.874	0.500	3.937	1.374	2.217	1/2-13 UNC	YEL 208-108-2F	6 900	4.4
1 5/8	P2BT 110-WF	3 3/4	2 1/8	5	2.000	0.500	4.248	1.374	2.217	1/2-13 UNC	YEL 209-110-2F	7 460	5.3
1 11/16	P2BT 111-WF										YEL 209-111-2F	7 460	5.2
1 3/4	P2BT 112-WF										YEL 209-112-2F	7 460	5.1
1 15/16	P2BT 115-WF	4	2 1/4	5 1/2	2.000	0.563	4.626	1.500	2.469	5/8-11 UNC	YEL 210-115-2F	7 890	6.3

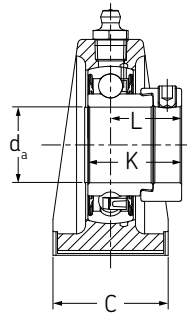
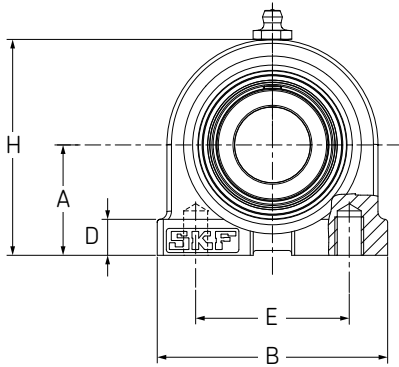
Consult SKF USA Inc. prior to design change or order placement.

Eccentric locking – tapped base unit

P2BT-FM / standard duty

Cast-iron housing
Threaded base
Narrow inner ring
Seals

Replaces: TB-SXV, VTB, PT3W, VTBE-1, KHTB



How to order

Suffix	Insert	Locking type
FM	YET	Eccentric collar – Seals
WF	YEL	Eccentric collar – Seals & flingers
WF-AH	YEL	Eccentric coll., Seals & flingers, AH unit

For bearing information see page 42.

Shaft size d_a	Unit designation	E	A	B	C	D	H	K	L	Bolt dia	Insert bearing designation	Dynamic capacity C	Mass
3/4	P2BT 012-FM	2	1 5/16	2 7/8	1.500	0.437	2.563	0.925	1.201	3/8-16 UNC	YET 204-012	2 850	1.3
7/8	P2BT 014-FM	2	1 7/16	3	1.500	0.469	2.811	0.925	1.220	3/8-16 UNC	YET 205-014	3 150	1.5
15/16	P2BT 015-FM										YET 205-015	3 150	1.5
1	P2BT 100-FM										YET 205-100	3 150	1.5
25	P2BT 25M-FM										YET 205	3 150	1.5
1 1/16	P2BT 101-FM	3	1 11/16	4	1.500	0.469	3.374	1.051	1.406	7/16-14 UNC	YET 206-101	4 380	2.8
1 1/8	P2BT 102-FM										YET 206-102	4 380	2.6
1 3/16	P2BT 103-FM										YET 206-103	4 380	2.6
1 1/4	P2BT 104S-FM										YET 206-104	4 380	2.5
1 1/4	P2BT 104-FM	3 1/4	1 7/8	4 1/4	1.874	0.500	3.752	1.157	1.531	1/2-13 UNC	YET 207-104	5 730	3.6
1 5/16	P2BT 105-FM										YET 207-105	5 730	3.6
1 3/8	P2BT 106-FM										YET 207-106	5 730	3.5
1 7/16	P2BT 107-FM										YET 207-107	5 730	3.5
1 1/2	P2BT 108-FM	3 1/2	1 15/16	4 5/8	1.874	0.500	3.937	1.287	1.701	1/2-13 UNC	YET 208-108	6 900	4.2
1 5/8	P2BT 110-FM	3 3/4	2 1/8	5	2.000	0.500	4.248	1.287	1.720	1/2-13 UNC	YET 209-110	7 460	5.1
1 11/16	P2BT 111-FM										YET 209-111	7 460	5.0
1 3/4	P2BT 112-FM										YET 209-112	7 460	4.9
1 15/16	P2BT 115-FM	4	2 1/4	5 1/2	2.000	0.563	4.626	1.287	1.720	5/8-11 UNC	YET 210-115	7 890	5.8

Eccentric locking

Eccentric locking – take-up unit

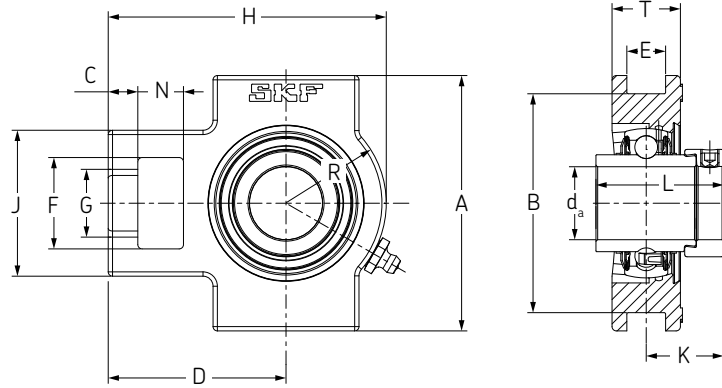
WSTU-WF / standard duty

Cast-iron housing
Wide slot
Wide inner ring
Seals & flingers

Replaces: WSTU-SXR, RTU, TH3Y, VTWE-2

How to order

Suffix	Insert	Locking type
FM	YET	Eccentric collar – Seals
WF	YEL	Eccentric collar – Seals & flingers
WF-AH	YEL	Eccentric coll., Seals & flingers, AH unit



For bearing information see page 42.

Shaft size d_a	Unit designation	Dimensions														Insert bearing designation	Dynamic capacity C	End cover	Mass
		A	B	C	D	E	F	G	H	J	K	L	N	T					
in	mm	in															lbf		lb
3/4	WSTU 012-WF	3.50	3.00	0.41	2.41	0.53	1.25	0.69	3.72	2.00	1.05	1.20	0.63	0.81	YEL 204-012-2F	2 850	ECY 204	1.7	
1	WSTU 100-WF	3.50	3.00	0.41	2.44	0.53	1.25	0.69	3.81	2.00	1.06	1.22	0.63	0.94	YEL 205-100-2F	3 150	ECY 205	1.9	
1 1/8	WSTU 102-WF														YEL 206-102-2F	4 380	ECY 206	3.0	
1 3/16	WSTU 103-WF	4.03	3.50	0.41	2.75	0.53	1.47	0.81	4.44	2.22	1.19	1.41	0.63	1.09	YEL 206-103-2F	4 380	ECY 206	2.9	
1 1/4	WSTU 104S-WF														YEL 206-104-2F	4 380	ECY 206	2.8	
1 1/4	WSTU 104-WF														YEL 207-104-2F	5 730	ECY 207	3.7	
1 3/8	WSTU 106-WF	4.03	3.50	0.50	3.06	0.53	1.47	0.81	5.07	2.53	1.27	1.53	0.63	1.19	YEL 207-106-2F	5 730	ECY 207	3.6	
1 7/16	WSTU 107-WF														YEL 207-107-2F	5 730	ECY 207	3.5	
1 1/2	WSTU 108-WF	4.50	4.02	0.63	3.47	0.69	1.94	1.10	5.69	3.28	1.37	1.70	0.75	1.31	YEL 208-108-2F	6 900	ECY 208	5.5	
1 3/4	WSTU 112-WF	4.59	4.02	0.63	3.44	0.69	1.94	1.10	5.69	3.28	1.37	1.72	0.83	1.37	YEL 209-112-2F	7 460	ECY 209	5.4	
1 15/16	WSTU 115-WF	4.59	4.02	0.63	3.53	0.69	1.94	1.10	5.84	3.28	1.50	1.72	0.75	1.47	YEL 210-115-2F	7 890	ECY 210	6.0	
2	WSTU 200-WF	5.75	5.13	0.75	4.19	1.06	2.53	1.37	6.75	4.03	1.72	1.91	1.00	1.50	YEL 211-200-2F	9 800	ECY 211	9.4	
2 3/16	WSTU 203-WF														YEL 211-203-2F	9 800	ECY 211	8.8	

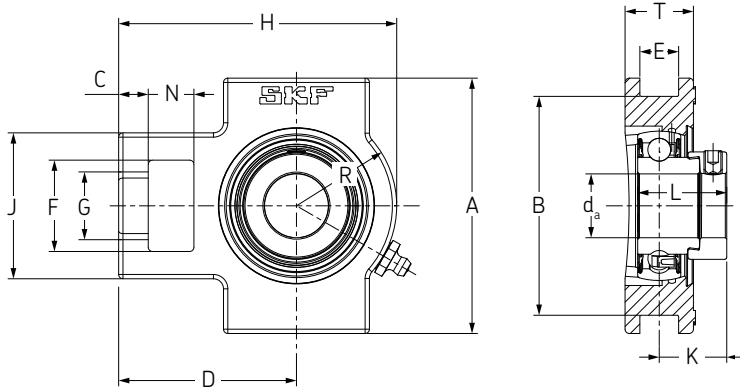
Consult SKF USA Inc. prior to design change or order placement.

Eccentric locking – take-up unit

WSTU-FM / standard duty

Cast-iron housing
Wide slot
Narrow inner ring
Seals

Replaces: WSTU-SXV, VTU, TH3W, VTWE-1



How to order

Suffix	Insert	Locking type
FM	YET	Eccentric collar – Seals
WF	YEL	Eccentric collar – Seals & flingers
WF-AH	YEL	Eccentric coll., Seals & flingers, AH unit

For bearing information see page 42.

Shaft size d_a	Unit designation	Dimensions														Insert bearing designation	Dynamic capacity C	End cover	Mass
		A	B	C	D	E	F	G	H	J	K	L	N	T					
in	mm	in															lbf		lb
3/4	WSTU 012-FM	3.50	3.00	0.41	2.41	0.53	1.25	0.69	3.72	2.00	0.93	2.00	0.63	0.81	YET 204-012	2 850	ECY 204	1.6	
7/8 1	WSTU 014-FM	3.50	3.00	0.41	2.44	0.53	1.25	0.69	3.81	2.00	0.93	2.00	0.63	0.94	YET 205-014	3 150	ECY 205	1.8	
	YET 205-100														3 150	ECY 205	1.7		
1 1/8 1 3/16 1 1/4	WSTU 102-FM	4.03	3.50	0.41	2.75	0.53	1.47	0.81	4.44	2.22	1.05	2.25	0.63	1.09	YET 206-102	4 380	ECY 206	2.8	
	WSTU 103-FM														YET 206-103	4 380	ECY 206	2.8	
	WSTU 104S-FM														YET 206-104	4 380	ECY 206	2.6	
1 1/4 1 3/8 1 7/16	WSTU 104-FM	4.03	3.50	0.50	3.06	0.53	1.47	0.81	5.07	2.53	1.16	2.53	0.63	1.19	YET 207-104	5 730	ECY 207	3.5	
	WSTU 106-FM														YET 207-106	5 730	ECY 207	3.4	
	WSTU 107-FM														YET 207-107	5 730	ECY 207	3.4	
1 1/2	WSTU 108-FM	4.50	4.02	0.63	3.47	0.69	1.94	1.10	5.69	3.28	1.29	3.28	0.75	1.31	YET 208-108	6 900	ECY 208	5.3	
1 11/16 1 3/4	WSTU 111-FM	4.59	4.02	0.63	3.44	0.69	1.94	1.10	5.69	3.28	1.29	3.28	0.83	1.37	YET 209-111	7 460	ECY 209	5.3	
	WSTU 112-FM														YET 209-112	7 460	ECY 209	5.2	
1 15/16	WSTU 115-FM	4.59	4.02	0.63	3.53	0.69	1.94	1.10	5.84	3.28	1.29	3.37	0.75	1.47	YET 210-115	7 890	ECY 210	5.5	
2 2 3/16	WSTU 200-FM	5.75	5.13	0.75	4.19	1.06	2.53	1.37	6.75	4.03	1.41	3.75	1.00	1.50	YET 211-200	9 800	ECY 211	8.6	
	WSTU 203-FM														YET 211-203	9 800	ECY 211	8.3	

Eccentric locking – pillow block

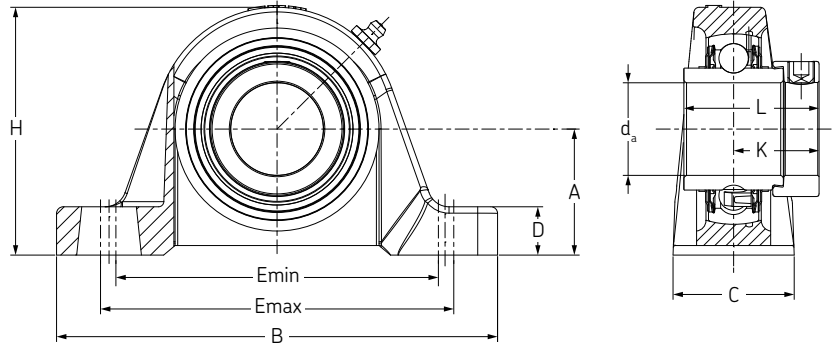
P2B-WF-AH, P2BL-WF-AH / standard duty

Air handling (AH) Cast-iron housing
 Wide inner ring Seals & flingers
 Standard center height and low center height

Replaces (standard height): P2B-SXRAH, VPE-2 AH, UGP-AM
 Replaces (low height): P2B-SXRBAH, VPLE-2 AH, UGAK-AM

How to order

Suffix	Insert	Locking type
FM	YET	Eccentric collar – Seals
WF	YEL	Eccentric collar – Seals & flingers
WF-AH	YEL	Eccentric coll., Seals & flingers, AH unit



For bearing information see page 42.

Shaft size d_a	Unit designation	E min.	E max.	A	B	C	D	H	K	L	Bolt dia	Insert bearing designation*	Dynamic capacity C	Mass capacity lb
in	mm	in									in		lbf	lb
3/4	P2B 012-WF-AH	3 3/8	4 1/8	1 5/16	5	1.339	0.531	2.531	1.047	1.720	3/8	YEL 204-012-2F-AH	2 850	1.4
1 3/16	P2B 103-WF-AH	4 3/8	5 1/16	1 11/16	6 1/2	1.756	0.656	3.281	1.185	1.906	1/2	YEL 206-103-2F-AH	4 380	2.9
1	P2BL 100-WF-AH	3 3/4	4 1/2	1 5/16	5 1/2	1.500	0.500	2.656	1.059	1.748	3/8	YEL 205-100-2F-AH	3 150	1.7
1 1/8	P2BL 102-WF-AH	4 3/8	5 1/16	1 9/16	6 1/2	1.756	0.531	3.156	1.185	1.906	1/2	YEL 206-102-2F-AH	4 380	2.8
1 3/16	P2BL 103-WF-AH	4 3/8	5 1/16	1 9/16	6 1/2	1.756	0.531	3.156	1.185	1.906	1/2	YEL 206-103-2F-AH	4 380	2.6
1 1/4	P2BL 104-WF-AH	4 22/32	5 5/16	1 13/16	6 9/16	1.803	0.656	3.625	1.272	2.012	1/2	YEL 207-104-2F-AH	5 730	3.5
1 7/16	P2BL 107-WF-AH	4 22/32	5 5/16	1 13/16	6 9/16	1.803	0.656	3.625	1.272	2.012	1/2	YEL 207-107-2F-AH	5 730	3.3
1 1/2	P2BL 108-WF-AH	5 3/32	5 23/32	1 15/16	7 1/4	1.921	0.813	4.000	1.374	2.217	1/2	YEL 208-108-2F-AH	6 900	4.7
1 3/4	P2BL 112-WF-AH	5 7/16	6 1/8	2 1/16	7 15/32	2.016	0.687	4.187	1.374	2.217	1/2	YEL 209-112-2F-AH	7 460	5.1
1 15/16	P2BL 115-WF-AH	6	6 1/2	2 3/16	8 1/8	2.189	0.687	4.500	1.500	2.469	5/8	YEL 210-115-2F-AH	7 890	6.2
2 3/16	P2BL 203-WF-AH	6 15/32	7 21/64	2 7/16	8 5/8	2.319	0.813	4.906	1.717	2.811	5/8	YEL 211-203-2F-AH	9 800	8.0

* AH bearings with anti-rotation pin not sold separately

Consult SKF USA Inc. prior to design change or order placement.

ConCentra™ locking – 4-bolt flange

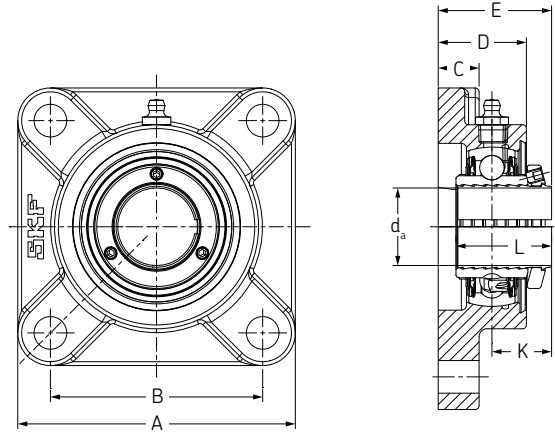
F4B-LF-AH / standard duty

Air handling (AH) Cast-iron flange
 Four-bolt mounting ConCentra locking
 Seals & flingers

Replaces: F4B-DLAH, RCJC, SF-T, F3CL, VF4B-2 AH, UEF-AM

How to order

Suffix	Insert	Locking type
LF	YSP	Concentric collar – Air handling unit, Seals & flingers



For bearing information see page 42.

Shaft size d_a	Unit designation	A	B	C	D	E	K	L	Bolt dia	Insert bearing designation*	Dynamic capacity C	End cover	Mass lb
		in	in	in	in	in	in	in					
1	F4B 100-LF-AH	3 3/4	2 3/4	0.433	1.228	1.661	0.835	1.307	7/16	YSP 205-100 SB-2F-AH	3 150	ECY 205	1.8
1 3/16	F4B 103-LF-AH	4 1/4	3 1/4	0.626	1.350	1.740	0.913	1.465	7/16	YSP 206-103 SB-2F-AH	4 380	ECY 206	2.8
1 1/4	F4B 104-LF-AH									YSP 207-104 SB-2F-AH	5 730	ECY 207	3.7
1 3/8	F4B 106-LF-AH	4 5/8	3 5/8	0.500	1.500	1.870	0.965	1.563	1/2	YSP 207-106 SB-2F-AH	5 730	ECY 207	3.6
1 7/16	F4B 107-LF-AH									YSP 207-107 SB-2F-AH	5 730	ECY 207	3.6
1 1/2	F4B 108-LF-AH	5 1/8	4	0.657	1.531	2.016	1.031	1.697	1/2	YSP 208-108 SB-2F-AH	6 900	ECY 208	5.1
1 15/16	F4B 115-LF-AH	5 5/8	4 3/8	0.626	1.811	2.232	1.091	1.819	1/2	YSP 210-115 SB-2F-AH	7 890	ECY 210	6.3

* AH bearings with anti-rotation pin not sold separately

Consult SKF USA Inc. prior to design change or order placement.

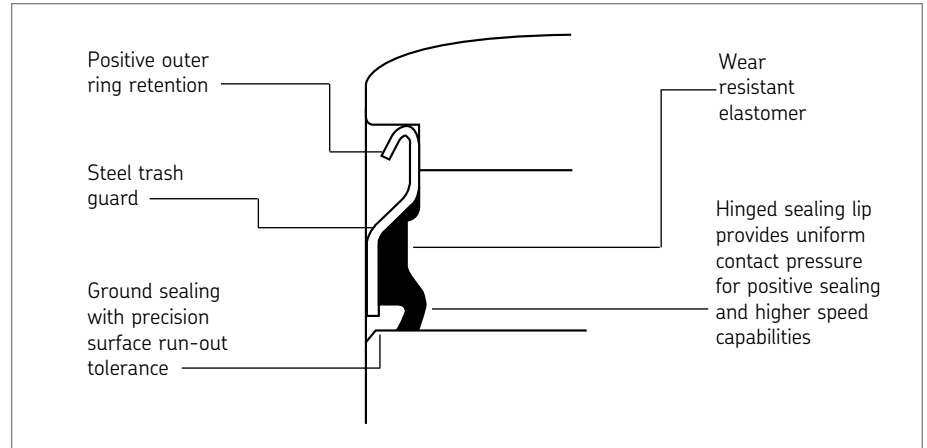
Notes

Insert bearings

Seals and grease – the basic protection

Seals

- The pressed steel washer or guard forms a narrow gap with the cylindrical surface of the inner ring shoulder providing protection against larger contaminants.
- A synthetic rubber lip is bonded to a pressed steel washer. This provides protection against small contaminants. It also retains the grease and allows for grease purging.



Long life grease

The standard SKF grease is a special, long life grease with a Lithium/Calcium thickener/soap, and an NLGI #2 consistency.

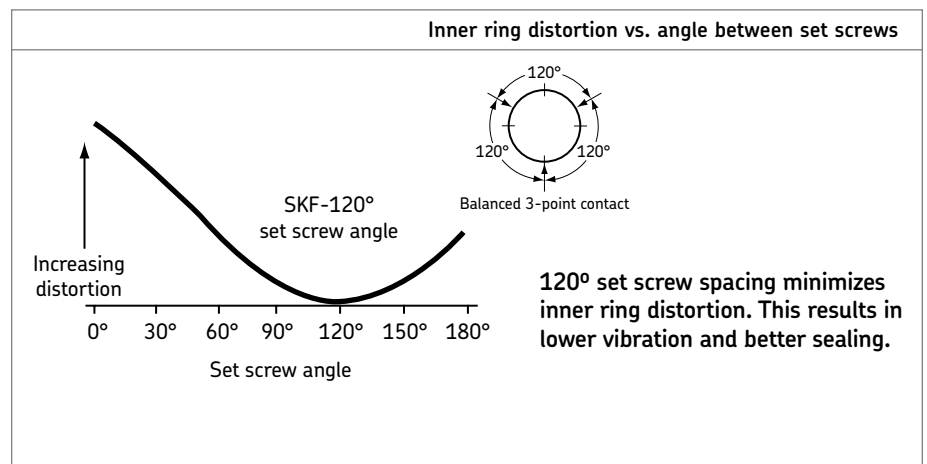
Properties

- High level of mechanical stability even in the most severe conditions
- Very good extreme pressure and anti-wear properties
- Very good water resistance
- Very good anti-rust and anti-corrosion protection
- Exceptional characteristics at both high and low temperatures

Grease characteristics	
Base	Lithium-Calcium
Application temperature	-20° to 250 F (-29° to 121° C)
NLGI	2
Viscosity at 100° F (40° C)	900 SUS (190 cSt)
Dropping point	389° F

Set screw locking method

Set screw locking features two set screws 120° apart. This placement of the set screws maximizes holding power while minimizing inner ring distortion. Other factors such as: zone hardening of the bearing inner ring, drilling and tapping after heat treat, proper screw length, a knurled cup point set screw and forged set screw socket have been incorporated to further enhance holding power and vibration resistance (backout).



Insert bearing types

SKF wide inner ring insert bearings are based on the design of the 62(00) series deep groove ball bearing. They share the same materials, high precision and high quality manufacturing processes. Rings and steel balls are made of SAE 52100 bearing steel. Raceways are hardened, ground, and honed. Steel balls are a high precision grade #10. Cages are a molded, glass fiber reinforced polyamide. The standard seal is a positive contact, land riding seal with an integral trash guard.

Bearings are prelubricated with an optimum fill of a special, long life grease with a Lithium/Calcium thickener/soap, and an NLGI #2 consistency, and are relubricatable. The result is a bearing with high speed capabilities, low noise, superior protection against contamination, strength, durability, and one that is easy to install and maintain.

Bearings only differ in the type of locking method, inner ring length and seal options.

Wide inner ring insert bearings are offered with spherical or cylindrical profiled outer rings. Bearings with a spherical profiled outer ring are typically used with SKF housings. The sphered O.D. of the bearing is matched to the sphered I.D. of the housing allowing the bearing to swivel and accommodate initial alignment. Bearings with cylindrical profiled outer rings are assembled into customer machined housings and are not designed to accommodate initial alignment.

Set screw locking device



YAR-2F

YAR-2F – standard duty and medium duty wide inner ring, set screw locking, spherical O.D.

YAR wide inner ring insert bearings are offered in standard duty and medium duty series. The medium duty series uses a larger bearing for a given shaft size, resulting in a greater load carrying capacity. Both series feature an outboard flinger in addition to the standard seal. As the inner of the bearing rotates, the flinger “flings” away moisture and large contaminants for additional sealing performance. The wide inner ring offers additional bearing load support and minimizes shaft misalignment associated with narrow inner bearings. Housing units with this bearing have a TF suffix.

Options include a non-relubricatable version, a version with a grease groove in the outer ring and SKF’s multi-function seal. YAR standard duty wide inner ring bearings are available in shaft sizes from $\frac{1}{2}$ " to $2\frac{15}{16}$ ". YAR medium duty wide inner ring bearings are available in shaft sizes from $\frac{17}{16}$ " to 3". For more detailed information see data tables on page 47.



YAT

YAT – standard duty and medium duty narrow inner ring, set screw locking, spherical O.D.

YAT narrow inner ring insert bearings feature a positive contact, and a land riding seal with an integral trash guard. This seal is grease purgeable and provides high speed, low friction operation along with positive contaminant exclusion. The narrow inner ring makes the bearing suitable for use in tight operating spaces. Housing units equipped with this bearing have an RM suffix.

Options include a nonrelubricatable version, a version with a grease groove in the outer ring as well as an air handling (-AH suffix) unit. YAT bearings are available in shaft sizes from $\frac{1}{2}$ " to $2\frac{15}{16}$ " and are offered with several housing styles. For more detailed information see data tables on page 46.

Eccentric locking device



YEL-2F

YEL-2F – standard duty wide inner ring, eccentric locking collar, spherical O.D.

YEL wide inner ring insert bearings feature an outboard flinger in addition to the standard seal. As the inner of the bearing rotates, the flinger “flings” away moisture and large contaminants for additional sealing performance. The wide inner ring offers additional bearing load support and minimizes shaft misalignment associated with narrow inner bearings. Housing units with this bearing have a WF suffix.

Options include a non-relubricatable version, a version with a grease groove in the outer ring and SKF’s multi-function seal. YEL wide inner ring bearings are available in shaft sizes from $\frac{3}{4}$ " to $2\frac{7}{16}$ ". For more detailed information see data tables on page 50.



YET

YET – standard duty narrow inner ring, eccentric locking collar, spherical O.D.

YET narrow inner ring insert bearings feature a positive contact, land riding seal with an integral trash guard. This seal is grease purgeable and provides high speed, low friction operation along with positive contaminant exclusion. The narrow inner ring makes the bearing suitable for use in tight operating spaces. Housing units with this bearing have an FM suffix.

Options include a non-relubricatable version and a version with a grease groove in the outer ring. YET bearings are available in shaft sizes from $\frac{1}{2}$ " to $2\frac{3}{16}$ ". For more detailed information see data tables on page 49.

ConCentra™ locking device



YSP-2F

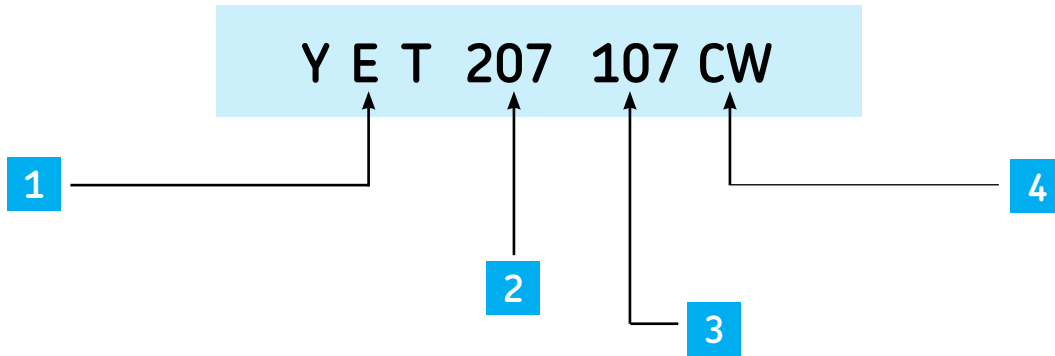
YSP-2F – wide inner ring, ConCentra™ locking, spherical O.D.

YSP-2F wide inner ring insert bearings feature an outboard flinger in addition to the land riding seal and SKF’s revolutionary ConCentra locking system. Utilizing a built-in mechanical connector that applies a nearly 360° concentric grip around the shaft, SKF ConCentra inserts provide superb bearing performance while still allowing for easy mounting and dismounting.

Providing true concentric locking, ConCentra locking technology reduces vibration and fretting corrosion increasing service life and reducing the shaft damage common to conventional set screw locking devices when replacement is necessary. YSP-2F series bearings are the standard insert in SKF LF air handling housed units and are available in shaft sizes from 1" to $2\frac{11}{16}$ ".

For more detailed information see data tables on page 51.

Nomenclature – insert bearings



1. Bearing type:

YET	Narrow inner ring, eccentric lock
YEL	Wide inner ring, eccentric lock
YAR	Wide inner ring, set screw lock
YAT	Narrow inner ring, set screw lock
YSP	Wide inner ring, ConCentra lock

2. Bearing series

3. Bore size:

Example: 107 is $1\frac{7}{16}$

4. Suffix:

C	Cylindrical O.D.
W	Nonrelubricatable bearing, no lube holes in outer ring
G	Groove in outer ring (opposite locking side)
GR	Groove in outer ring (on locking side)
-2F	Bearing with two flingers
-2RF	Bearing with two multi-function seals
U	No locking collar
SB	ConCentra
-AH	Air handling – anti rotation pin

Insert bearing data

Speed ratings

The speed at which ball bearing units can operate depends on the means by which they are located on the shaft and also the type of seal. For bearings of series YAR, YEL, YET, YAT and YSP the speeds are limited by the fit on the shaft; the looser the fit the lower the speed. Recommended maximum values are given in **Table 3**.

Bearings with multi-function seals should not be operated at speeds in excess of 60% of those quoted in the table, particularly when shafts having an h6 tolerance are used.

Table 3

Basic bearing size	Speed ratings for bearings of series: YAR, YEL, YET, YAT, YSP with shaft tolerance				
	h6	h7	h8	h9	h11
	rpm				
203	9500	6000	4300	1500	950
204	8500	5300	3800	1300	850
205	7000	4500	3200	1000	700
206	6300	4000	2800	900	630
207	5300	3400	2200	750	530
208	4800	3000	1900	670	480
209	4300	2600	1700	600	430
210	4000	2400	1600	560	400
211	3600	2000	1400	500	360
212	3400	1900	1300	480	340
213	3000	1700	1100	430	300
214	2800	1600	1000	400	280
215	2600	1500	930	380	260
216	2400	1400	900	360	240

Internal clearance

SKF inch series YAR, YEL, YET, YAT and YSP wide inner ring bearings are produced as standard with internal clearance according to **Table 4**.

Table 4

Basic bearing size	Radial internal clearance of bearings of series: YAR, YEL, YET, YAT, YSP	
	min	max
	0.0001 in	
203	4	10
204-206	5	11
207-208	5	13
209-210	6	14
211-213	7	17
214-216	8	20

Set screw locking – Insert bearing

YAT / standard duty

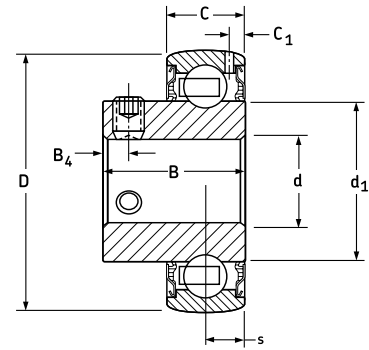
Spherical O.D.
Narrow inner ring
Relubricatable
Seal

Replaces: GYA-RRB, V-, INS-SL

How to order **YAT 208-108**

Option **Specify**

Nonrelubricatable YAT 208-108-W
Lube groove YAT 208-108-G
Lube groove (locking side) YAT 208-108-GR



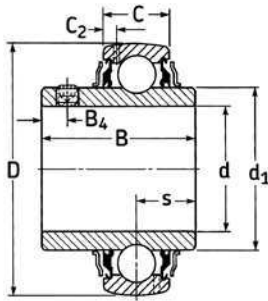
Bore dia		Insert bearing designation	D	d ₁	B	M	C	Dynamic capacity C	Static load C ₀	Min fillet radius	Set screw size	Mass
d												
in	mm		mm	in	in	in	mm	lbf	lbf	in		lb
1/2		YAT 203-008									#10-32 UNF	0.2
5/8		YAT 203-010	40	0.953	0.870	0.472	12	2 150	1 070	0.038	–	0.2
	17	YAT 203									M6x0.75	0.2
3/4		YAT 204-012	47	1.110	1.004	0.551	14	2 850	1 470	0.044	1/4-28 UNF	0.3
	20	YAT 204									M6x0.75	0.3
7/8		YAT 205-014									1/4-28 UNF	0.4
15/16		YAT 205-015	52	1.328	1.071	0.591	15	3 150	1 750	0.052	–	0.4
1		YAT 205-100									–	0.4
	25	YAT 205									M6x0.75	0.4
1 1/8		YAT 206-102									1/4-28 UNF	0.5
1 3/16		YAT 206-103	62	1.563	1.189	0.709	18	4 380	2 520	0.062	–	0.6
1 1/4		YAT 206-104									–	0.6
	30	YAT 206									M6x0.75	0.6
1 1/4		YAT 207-104									5/16-24 UNF	0.8
1 3/8		YAT 207-106	72	1.815	1.299	0.748	19	5 730	3 440	0.071	–	0.8
1 7/16		YAT 207-107									–	0.9
	35	YAT 207									M6x0.75	0.8
1 1/2		YAT 208-108	80	2.039	1.417	0.827	21	6 900	4 270	0.080	5/16-24 UNF	1.2
	40	YAT 208									M6x0.75	1.1
1 11/16		YAT 209-111									5/16-24 UNF	1.3
1 3/4		YAT 209-112	85	2.236	1.457	0.866	22	7 460	4 850	0.088	–	1.3
	45	YAT 209									M6x0.75	1.2
1 15/16		YAT 210-115	90	2.461	1.528	0.866	22	7 890	5 210	0.097	3/8-24 UNF	1.4
	50	YAT 210									M8x1	1.4
2		YAT 211-200	100	2.719	1.772	0.984	25	9 800	6 520	0.107	3/8-24 UNF	2.2
2 3/16		YAT 211-203									–	1.9
2 1/4		YAT 212-204	110	2.978	1.909	1.024	26	11 840	8 090	0.117	3/8-24 UNF	2.8
2 7/16		YAT 212-207									–	2.4
2 15/16		YAT 215-215	130	3.624	2.106	1.142	29	14 900	11 010	0.143	3/8-24 UNF	3.9
3		YAT 216-300	140	3.835	2.185	1.181	30	16 360	11 910	0.151	3/8-24 UNF	4.9

Consult SKF USA Inc. prior to design change or order placement.

Set screw locking – Insert bearing

YAR-2F / standard duty

Spherical O.D.
Wide inner ring
Relubricatable
Seal & flingers



How to order	YAR 208-107-2F
Option	Specify
Nonrelubricatable	YAR 208-107-2FW
Lube groove	YAR 208-107-2FG
Lube groove (locking side)	YAR 208-107-2FGR

Bore dia d	Insert bearing designation	D	d ₁	B	M	C	Dynamic capacity C	Static load C ₀	Min fillet radius	Set screw size	Mass
1/2	YAR 203-010-2F	40	0.953	1.079	0.472	12	2 150	1 070	0.038	#10-32 UNF	0.2
5/8	YAR 203-008-2F									–	0.3
	YAR 203-2F									M6x0.75	0.2
3/4	YAR 204-012-2F	47	1.110	1.220	0.551	14	2 850	1 470	0.044	1/4-28 UNF	0.4
	YAR 204-2F									M6x0.75	0.3
7/8	YAR 205-014-2F	52	1.328	1.343	0.591	15	3 150	1 750	0.052	1/4-28 UNF	0.0
1	YAR 205-100-2F									–	0.4
15/16	YAR 205-015-2F									–	0.4
	YAR 205-2F									M6x0.75	0.4
1 1/4	YAR 206-104-2F	62	1.563	1.500	0.709	18	4 380	2 520	0.062	1/4-28 UNF	0.6
1 3/16	YAR 206-103-2F									–	0.7
1 1/8	YAR 206-102-2F									–	0.7
1 1/16	YAR 206-101-2F									–	0.8
	YAR 206-2F									M6x0.75	0.7
1 7/16	YAR 207-107-2F	72	1.815	1.689	0.748	19	5 730	3 440	0.071	5/16-24 UNF	0.9
1 3/8	YAR 207-106-2F									–	1.0
1 5/16	YAR 207-105-2F									–	1.1
1 1/4	YAR 207-104-2F									–	1.1
	YAR 207-2F									M6x0.75	1.0
1 7/16	YAR 208-107-2F	80	2.039	1.937	0.827	21	6 900	4 270	0.080	5/16-24 UNF	1.5
1 1/2	YAR 208-108-2F									–	1.4
1 9/16	YAR 208-109-2F									–	1.3
	YAR 208-2F									M8x1	1.3
1 1/2	YAR 209-108-2F	90	2.236	1.937	0.866	22	7 460	4 850	0.088	5/16-24 UNF	1.9
1 5/8	YAR 209-110-2F									–	1.7
1 11/16	YAR 209-111-2F									–	1.6
1 3/4	YAR 209-112-2F									–	1.5
	YAR 209-2F									M8x1	1.5
	YAR 218-2F	160	4.429	3.504	1.417	36	21 480	16 180	0.174	M12x1.5	8.8
	YAR 220-2F	180	4.913	3.874	1.575	40	27 870	20 900	0.193	M12x1.5	12.3

Insert bearings

Set screw locking – Insert bearing

YAR / standard duty

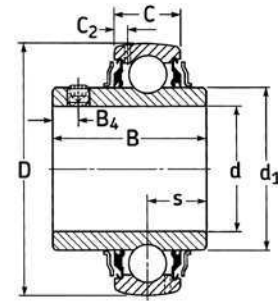
Spherical OD
Wide inner ring
Relubricatable
Multi-function seal and rubberized flingers

Replaces: GYA-RBB, UG200NL

How to order **YAR 208-107-2RF**

Option **Specify**

Nonrelubricatable YAR 208-107-2RFW
Lube groove YAR 208-107-2RFG
Lube groove (locking side) YAR 208-107-2RFGR



Bore dia d	Insert bearing designation		D	d ₁	B	M	C	Dynamic capacity C	Static load C ₀	Min fillet radius	Set screw size	Mass lb
	in	mm										
3/4	20	YAR 204-012-2RF	47	1.110	1.220	0.551	14	2 850	1 470	0.044	1/4-28 UNF M6x0.75	0.4
		YAR 204-2RF										0.3
1	25	YAR 205-100-2RF	52	1.328	1.343	0.591	15	3 150	1 750	0.052	1/4-28 UNF M6x0.75	0.4
		YAR 205-2RF										0.4
1 1/4	30	YAR 206-2RF	62	1.563	1.500	0.709	18	4 380	2 520	0.062	M6x0.75	0.7
		YAR 207-104-2RF										72
1 1/2	35	YAR 207-2RF	80	2.039	1.937	0.827	21	6 900	4 270	0.080	5/16-24 UNF M8x1	
		YAR 208-108-2RF										1.3
1 3/4	40	YAR 209-112-2RF	85	2.236	1.937	0.866	22	7 460	4 850	0.088	5/16-24 UNF M8x1	1.4
		YAR 209-2RF										1.5
1 15/16	45	YAR 210-115-2RF	90	2.461	2.031	0.866	22	7 890	5 210	0.097	3/8-24 UNF M10x1	1.5
		YAR 210-2RF										1.7
2	50	YAR 211-200-2RF	100	2.719	2.189	0.984	25	9 800	6 520	0.107	3/8-24 UNF M10x1	1.7
		YAR 211-2RF										2.3
2 1/2	55	YAR 212-2RF	110	2.978	2.563	1.024	26	11 840	8 090	0.117	M10x1	2.6
		YAR 213-208-2RF										3.1
2 1/2	60	YAR 213-2RF	120	3.248	2.689	1.063	27	12 850	8 990	0.128	3/8-24 UNF M10x1	4.2
		YAR 213-2RF										4.0

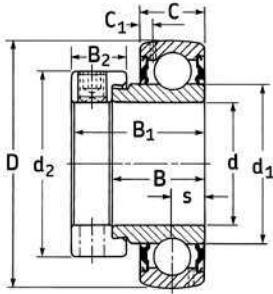
Consult SKF USA Inc. prior to design change or order placement.

Eccentric locking – Insert bearing

YET / standard duty

Spherical O.D.
Narrow inner ring
Relubricatable
Seal

Replaces: GRA-RRB, WG200UL



How to order	YET 205-100
Option	Specify
No collar	YET 205-100U
Nonrelubricatable	YET 205-100W
Lube groove	YET 205-100G
Lube groove (collar side)	YET 205-100GR

Bore dia d	Insert bearing designation	D	B	B ₁	C	d ₁	d ₂	M	Dynamic capacity C	Static load C ₀	Min fillet radius	Set screw size	Mass
1/2	YET 203-008 YET 203	40	0.752	1.126	12	0.953	1.071	0.030	2 150	1 070	0.012	1/4-28 UNF M6x0.75	0.3
													0.2
3/4	YET 204-012 YET 204	47	0.827	1.201	14	1.110	1.276	0.033	2 850	1 470	0.024	1/4-28 UNF M6x0.75	0.4
													0.4
1 15/16 7/8	YET 205-100 YET 205-015 YET 205-014 YET 205	52	0.846	1.220	15	1.328	1.472	0.033	3 150	1 750	0.024	1/4-28 UNF – – M6x0.75	0.4
													0.5
													0.5
													0.4
1 1/4 1 3/16 1 1/8 1 1/16	YET 206-104 YET 206-103 YET 206-102 YET 206-101 YET 206	62	0.937	1.406	18	1.563	1.736	0.037	4 380	2 520	0.024	5/16-24 UNF – – – M8x1	0.7
													0.7
													0.7
													0.8
													0.7
1 7/16 1 3/8 1 5/16 1 1/4	YET 207-107 YET 207-106 YET 207-105 YET 207-104 YET 207	72	1.000	1.531	19	1.815	2.016	0.039	5 730	3 440	0.039	3/8-24 UNF – – – M10x1	1.0
													1.0
													1.1
													1.1
													1.0
1 1/2	YET 208-108 YET 208	80	1.169	1.701	21	2.039	2.224	0.046	6 900	4 270	0.039	3/8-24 UNF M10x1	1.4
													1.3
1 3/4 1 11/16 1 5/8	YET 209-112 YET 209-111 YET 209-110 YET 209	85	1.189	1.720	22	2.236	2.441	0.047	7 460	4 850	0.039	3/8-24 UNF – – M10x1	1.5
													1.6
													1.7
													1.5
1 15/16	YET 210-115 YET 210	90	1.189	1.720	22	2.461	2.646	0.047	7 890	5 210	0.039	3/8-24 UNF M10x1	1.7
													1.6
2 3/16 2	YET 211-203 YET 211-200 YET 211	100	1.283	1.906	25	2.719	2.933	0.051	9 800	6 520	0.039	7/16-20 UNF – M10x1	2.2
													2.5
													2.3
2 7/16	YET 212-207 YET 212	110	1.445	2.071	26	2.978	3.228	0.057	11 840	8 090	0.059	7/16-20 UNF M10x1	2.8
													3.0

(1) If bearings are mounted on shafts with interference fits, then C values may be multiplied by 1.3.

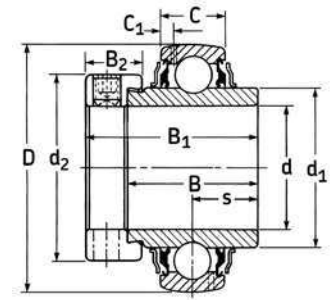
Eccentric locking – Insert bearing

YEL-2F / standard duty

Spherical O.D.
Wide inner ring
Relubricatable
Seal & flingers

Replaces: G-KRRB, YG200NL

How to order	YEL 205-100-2F
Option	Specify
No collar	YEL 205-100-2FU
Nonrelubricatable	YEL 205-100-2FW
Lube groove	YEL 205-100-2FG
Lube groove (collar side)	YEL 205-100-2FGR
Multi-function seal	YEL 205-100-2RF



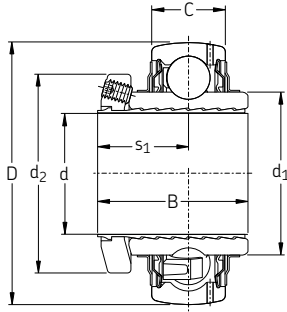
Bore dia d	Insert bearing designation	D	B	B ₁	C	d ₁	d ₂	M	Dynamic capacity C	Static load C ₀	Min fillet radius	Set screw size	Mass
3/4	YEL 204-012-2F	47	1.346	1.720	14	1.110	1.276	0.053	2 850	1 470	0.024	1/4-28 UNF M6x0.75	0.5
	YEL 204-2F												0.4
1 15/16 7/8	YEL 205-100-2F	52	1.374	1.748	15	1.328	1.472	0.054	3 150	1 750	0.024	1/4-28 UNF M6x0.75	0.5
	YEL 205-015-2F												0.6
	YEL 205-014-2F												0.6
	YEL 205-2F												0.5
1 1/4 1 3/16 1 1/8	YEL 206-104-2F	62	1.437	1.906	18	1.563	1.736	0.057	4 380	2 520	0.024	5/16-24 UNF 5/16-24 UNF M8x1	0.8
	YEL 206-103-2F												0.8
	YEL 206-102-2F												0.9
	YEL 206-2F												0.8
1 7/16 1 3/8 1 1/4	YEL 207-107-2F	72	1.480	2.012	19	1.815	2.012	0.058	5 730	3 440	0.039	3/8-24 UNF M10x1	1.1
	YEL 207-106-2F												1.2
	YEL 207-104-2F												1.3
	YEL 207-2F												1.2
1 1/2	YEL 208-108-2F	80	1.685	2.217	21	2.039	2.224	0.066	6 900	4 270	0.039	3/8-24 UNF M10x1	1.7
	YEL 208-2F												1.5
1 3/4 1 11/16 1 5/8	YEL 209-112-2F	85	1.685	2.217	22	2.236	2.441	0.066	7 460	4 850	0.039	3/8-24 UNF M10x1	1.8
	YEL 209-111-2F												1.9
	YEL 209-110-2F												2.0
	YEL 209-2F												1.7
1 15/16	YEL 210-115-2F	90	1.937	2.469	22	2.461	2.646	0.076	7 890	5 210	0.039	3/8-24 UNF M10x1	2.1
	YEL 210-2F												2.0
2 3/16 2	YEL 211-203-2F	100	2.189	2.811	25	2.719	2.933	0.086	9 800	6 520	0.039	7/16-20 UNF M10x1	2.8
	YEL 211-200-2F												3.3
	YEL 211-2F												2.9
2 7/16	YEL 212-207-2F	110	2.437	3.063	26	2.978	3.228	0.096	11 840	8 090	0.059	7/16-20 UNF M10x1	3.5
	YEL 212-2F												3.7

Consult SKF USA Inc. prior to design change or order placement.

ConCentra locking – Insert bearing

YSP SB-2F / standard duty

Spherical O.D.
ConCentra locking
Relubricatable
Seals & flingers



How to order	YSP 205-100 SB-2F
Option	Specify
Air handling	YSP 205-100 SB-2F-AH

Bore dia d	Insert bearing designation	B	C	D	d ₁	d ₂	S ₁	Dynamic capacity C	Static load C ₀	Set screw size	Mass
1	YSP 205-100 SB-2F YSP 205 SB-2F	0.945	15	52	1.328	1.642	0.835	3 150	1 750	M5	0.4 0.4
1 3/16	YSP 206-103 SB-2F YSP 206 SB-2F	1.102	18	62	1.563	1.890	0.913	4 380	2 520	M5	0.7 0.7
1 7/16 1 3/8 1 1/4	YSP 207-107 SB-2F YSP 207-106 SB-2F YSP 207-104 SB-2F YSP 207 SB-2F	1.201	19	72	1.815	2.244	0.965	5 730	3 440	M6	0.9 – 1.1 1.0
1 1/2	YSP 208 SB-2F YSP 208-108 SB-2F	1.335	21	80	2.039	2.441	1.031	6 900	4 270	M6	1.3 1.4
1 11/16	YSP 209-111 SB-2F YSP 209 SB-2F	1.378	22	85	2.236	2.638	1.051	7 460	4 850	M6	1.5 1.5
1 15/16	YSP 210-115 SB-2F YSP 210 SB-2F	1.457	22	90	2.461	2.835	1.091	7 890	5 210	M6	1.7 1.6
2 3/16 2	YSP 211-203 SB-2F YSP 211-200 SB-2F YSP 211 SB-2F	1.575	25	100	2.719	3.055	1.150	9 800	6 520	M6	2.1 2.4 2.2
2 1/4 2 7/16	YSP 212-204 SB-2F YSP 212-207 SB-2F YSP 212 SB-2F	1.673	26	110	2.978	3.449 3.268	1.201	11 840	8 090	M6	3.0 2.6 2.8
2 11/16	YSP 213-211 SB-2F	1.713	27	120	3.248	3.520	1.220	12 850	8 990	M6	3.1

Notes

skfusa.com

© SKF is a registered trademark of the SKF Group.
ConCentra is a trademark of the SKF Group.

© SKF USA Inc. 2017
The contents of this publication are the copyright of the publisher and may not be reproduced (even extracts) unless prior written permission is granted. Every care has been taken to ensure the accuracy of the information contained in this publication but no liability can be accepted for any loss or damage whether direct, indirect or consequential arising out of the use of the information contained herein.

PUB 670-701 · 10000/AN August 2017 Printed in USA