

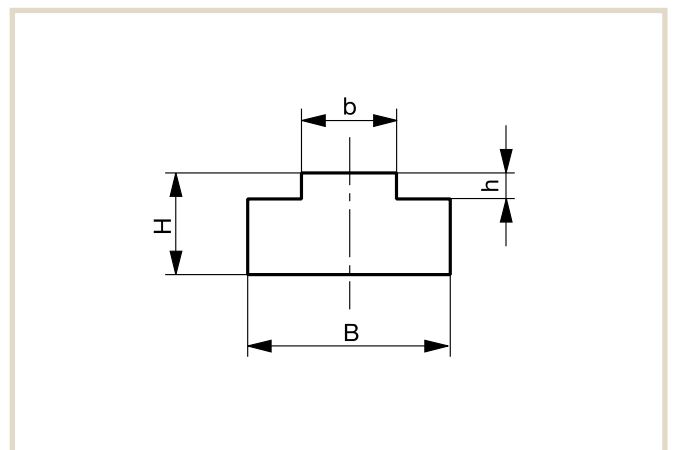
# Chain Guides for Roller Chains as per DIN 8187

## TYPE T



DIN 8187 chain no.	Chain dimensions in inches	B	H	b	h	Article no.
06B-1	3/8" x 7/32"	15	10	5,4	1,5	221 010 002
083-1	1/2" x 3/16"	15	10	4,5	1,5	221 010 003
085-1	1/2" x 1/4"	20	10	6,2	2,2	221 010 004
08B-1	1/2" x 5/16"	20	10	7,4	2,2	221 010 005
08B-1	1/2" x 5/16"	20	15	7,4	2,2	221 010 006
08B-1	1/2" x 5/16"	20	20	7,4	2,2	221 010 007
08B-1	1/2" x 5/16"	20	30	7,4	2,2	221 010 008
-	5/8" x 1/4"	20	10	6,2	2,6	221 010 009
10B-1	5/8" x 3/8"	20	10	9,3	2,6	221 010 010
10B-1	5/8" x 3/8"	20	15	9,3	2,6	221 010 011
10B-1	5/8" x 3/8"	20	20	9,3	2,6	221 010 012
10B-1	5/8" x 3/8"	20	30	9,3	2,6	221 010 013
12B-1	3/4" x 7/16"	25	10	11,3	2,4	221 010 014
12B-1	3/4" x 7/16"	25	15	11,3	2,4	221 010 015
12B-1	3/4" x 7/16"	25	20	11,3	2,4	221 010 016
12B-1	3/4" x 7/16"	25	30	11,3	2,4	221 010 017
16B-1	1" x 17 mm	40	15	16,0	3,5	221 010 018
16B-1	1" x 17 mm	40	20	16,0	3,5	221 010 019
16B-1	1" x 17 mm	40	30	16,0	3,5	221 010 020
20B-1	1 1/4" x 3/4"	45	15	18,0	4,2	221 010 021
24B-1	1 1/2" x 1"	60	15	24,0	5,5	221 010 022
28B-1	1 3/4" x 31 mm	75	20	30,0	6,8	221 010 023
32B-1	2" x 31 mm	80	20	30,0	7,7	221 010 024

Dimensions in mm - Separate ASA/JIS product catalogue available.

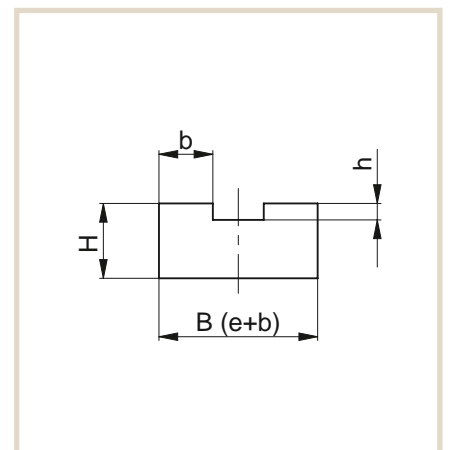
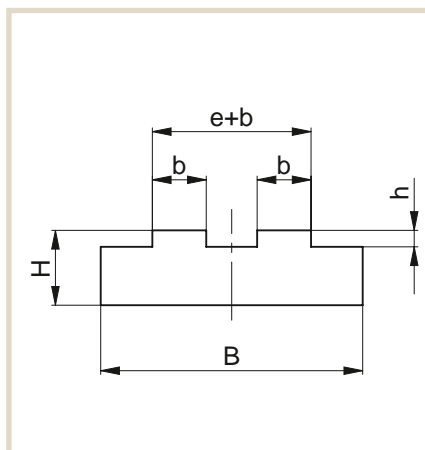


# TYPE T-DUPLEX



DIN 8187 chain no.	Chain dimensions in inches	B	H	b	h	e+b	Article no.
06B-2	3/8" x 7/32"	25.0	10	5.3	1.5	15.6	221 010 025
08B-2	1/2" x 5/16"	35.0	10	7.2	2.2	21.2	221 010 026
08B-2	1/2" x 5/16"	35.0	15	7.2	2.2	21.2	221 010 027
08B-2	1/2" x 5/16"	35.0	20	7.2	2.2	21.2	221 010 028
08B-2	1/2" x 5/16"	35.0	30	7.2	2.2	21.2	221 010 029
10B-2	5/8" x 3/8"	40.0	10	9.0	2.6	25.6	221 010 030
12B-2	3/4" x 7/16"	45.0	15	10.9	2.4	30.4	221 010 031
12B-2	3/4" x 7/16"	45.0	10	10.9	2.4	30.4	221 010 032
16B-2	1" x 17 mm	47.8	15	15.8	3.5	47.8	221 010 033
20B-2	1 1/4" x 3/4"	54.7	15	18.2	4.2	54.7	221 010 034
24B-2	1 1/2" x 1"	72.0	20	23.6	5.5	72.0	221 010 035
28B-2	1 3/4" x 31 mm	88.4	25	28.8	6.8	88.4	221 010 036
32B-2	2" x 31 mm	87.4	30	28.8	7.7	87.4	221 010 037

Dimensions in mm - Separate ASA/JIS product catalogue available.

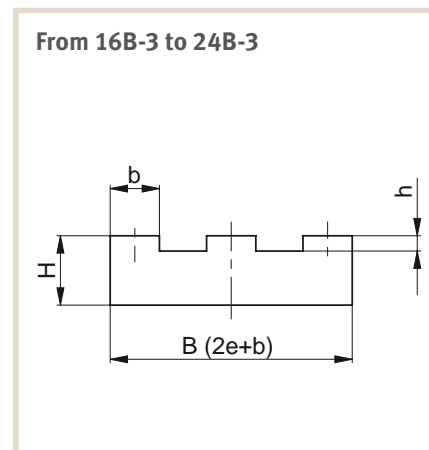
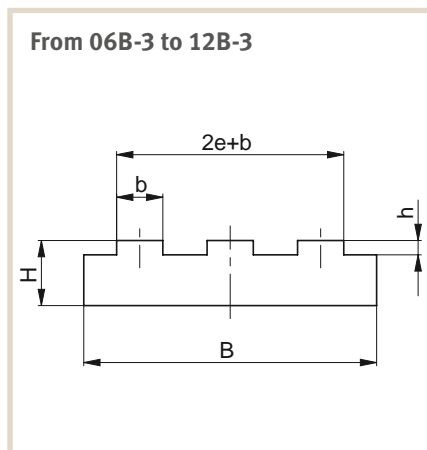


# TYPE T-TRIPLEX



DIN 8187 chain no.	Chain dimensions in inches	B	H	b	h	2e+b	Article no.
06B-3	3/8" x 7/32"	35.0	10	5.3	1.5	25.9	221 010 038
08B-3	1/2" x 5/16"	45.0	10	7.1	2.2	34.9	221 010 039
10B-3	5/8" x 3/8"	55.0	10	8.9	2.6	42.1	221 010 040
12B-3	3/4" x 7/16"	60.0	15	10.7	2.4	49.7	221 010 041
16B-3	1" x 17 mm	79.5	20	15.7	3.5	79.5	221 010 042
20B-3	1 1/4" x 3/4"	91.0	20	18.0	4.2	91.0	221 010 043
24B-3	1 1/2" x 1"	120.0	25	23.4	5.5	120.0	221 010 044

Dimensions in mm - Separate ASA/JIS product catalogue available.



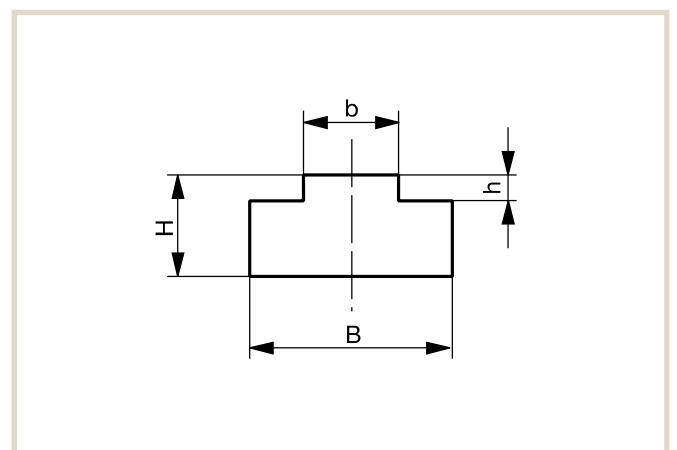
# Chain Guides for Roller Chains as per DIN 8188

TYPE T



chain no.		Chain dimensions in inch	B	H	b	h	Article no. 2000 mm length	Article no. 3048 mm length
ASA/JIS	DIN 8188							
35	06C-1	3/8" x 3/16"	15.0	10.0	4.4	2.3	221 150 002	221 060 001
40	08A-1	1/2" x 5/16"	20.0	10.0	7.4	2.4	221 150 003	22 1060 002
50	10A-1	5/8" x 3/8"	20.0	10.0	8.8	2.8	221 150 004	221 060 003
60	12A-1	3/4" x 1/2"	30.0	15.0	11.8	3.5	221 150 005	221 060 004
80	16A-1	1" x 5/8"	40.0	15.0	14.8	4.7	221 150 006	221 060 005
100	20A-1	1 1/4" x 3/4"	45.0	20.0	17.8	6.4	221 150 007	221 060 006
120	24A-1	1 1/2" x 1"	55.0	20.0	23.7	8.0	221 150 008	221 060 007
140	28A-1	1 3/4" x 1"	60.0	25.0	23.7	9.7	221 150 009	221 060 008
160	32A-1	2" x 1 1/4"	70.0	25.0	29.7	11.3	221 150 010	221 060 009

Dimensions in mm

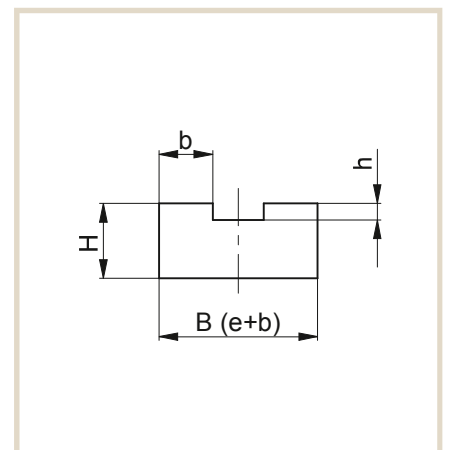
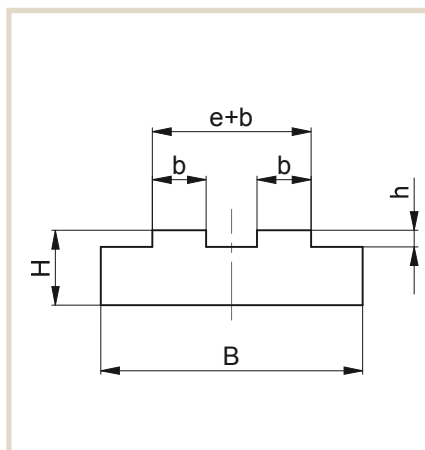


# TYPE T-DUPLEX



Chain no.		Chain dimensions in inches	B	H	b	h	e+b	Article no. 2000 mm length	Article no. 3048 mm length
ASA/JIS	DIN 8188								
35-2	06C-2	3/8" × 3/16"	25	10	4.4	2.3	14.5	221 150 020	221 060 010
40-2	08A-2	1/2" × 5/16"	35	10	7.4	2.4	21.8	221 150 021	221 060 011
50-2	10A-2	5/8" × 3/8"	40	10	8.8	2.8	26.9	221 150 022	221 060 012
60-2	12A-2	3/4" × 1/2"	40	15	11.8	3.5	34.6	221 150 023	221 060 013
80-2	16A-2	1" × 5/8"	44	15	14.8	4.7	44	221 150 024	221 060 014
100-2	20A-2	1 1/4" × 3/4"	53	20	17.8	6.4	53	221 150 025	221 060 015
120-2	24A-2	1 1/2" × 1"	69	20	23.7	8	69	221 150 026	221 060 016
140-2	28A-2	1 3/4" × 1"	72	25	23.7	9.7	72	221 150 027	221 060 017
160-2	32A-2	2" × 1 1/4"	88	25	29.7	11.3	88	221 150 028	221 060 018

Dimensions in mm



# TYPE T-TRIPLEX



chain no.		Chain dimensions in inches	B	H	b	h	e+b	Article no. 2000 mm length	Article no. 3048 mm length
ASA/JIS	DIN 8188								
35-3	06C-3	3/8" x 3/16"	35	10	4.2	2.3	24.5	221 050 038	221 060 019
40-3	08A-3	1/2" x 5/16"	45	10	7.2	2.4	36	221 050 039	221 060 020
50-3	10A-3	5/8" x 3/8"	55	10	8.7	2.8	44.9	221 050 040	221 060 021
60-3	12A-3	3/4" x 1/2"	68	15	11.7	3.5	57.3	221 050 041	221 060 022
80-3	16A-3	1" x 5/8"	73.2	20	14.6	4.7	73.2	221 050 042	221 060 023
100-3	20A-3	1 1/4" x 3/4"	89.2	20	17.6	6.4	89.2	221 050 043	221 060 024
120-3	24A-3	1 1/2" x 1"	114.3	25	23.5	8	114.3	221 050 044	221 060 025

Dimensions in mm

