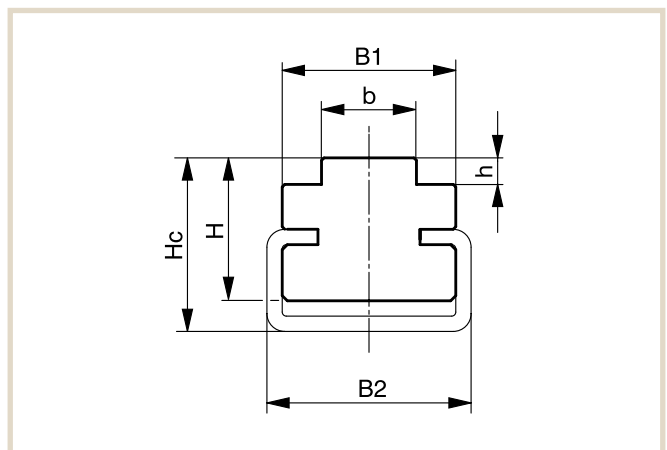


TYPE CT




| DIN 8187 chain no. | Chain dimensions in inches | C profile type | B1 | B2 | H | Hc | b | h | Article no. |
|--------------------|----------------------------|----------------|----|----|----|----|------|-----|----------------------------|
| 06B-1 | 3/8" x 7/32" | C3 | 17 | 20 | 14 | 17 | 5.4 | 1.5 | 221 210 015 351 020 003 |
| 083-1 | 1/2" x 3/16" | C3 | 17 | 20 | 14 | 17 | 4.5 | 1.5 | 221 210 002 351 020 003 |
| 085-1 | 1/2" x 1/4" | C3 | 17 | 20 | 14 | 17 | 6.2 | 2.2 | 221 210 003 351 020 003 |
| 08B-1 | 1/2" x 5/16" | C1 | 20 | 24 | 10 | 11 | 7.4 | 2.2 | 221 210 001 351 020 001 |
| 08B-1 | 1/2" x 5/16" | C3 | 17 | 20 | 14 | 17 | 7.4 | 2.2 | 221 210 004 351 020 003 |
| - | 5/8" x 1/4" | C3 | 17 | 20 | 14 | 17 | 6.2 | 2.6 | 221 210 005 351 020 003 |
| 10B-1 | 5/8" x 3/8" | C3 | 17 | 20 | 14 | 17 | 9.3 | 2.6 | 221 210 006 351 020 003 |
| 12B-1 | 3/4" x 7/16" | C3 | 20 | 20 | 14 | 17 | 11.3 | 2.4 | 221 210 007 351 020 003 |
| 12B-1 | 3/4" x 7/16" | C5 | 24 | 28 | 14 | 18 | 11.3 | 2.4 | 221 210 008 351 020 005 |
| 16B-1 | 1" x 17 mm | C5 | 24 | 28 | 14 | 18 | 16 | 3.5 | 221 210 009 351 020 005 |
| 20B-1 | 1 1/4" x 3/4" | C5 | 28 | 28 | 14 | 18 | 18 | 4.2 | 221 210 010 351 020 005 |
| 24B-1 | 1 1/2" x 1" | C9 | 33 | 38 | 23 | 30 | 24 | 5.5 | 221 210 011 351 020 009 |
| 28B-1 | 1 3/4" x 31 mm | C9 | 38 | 38 | 23 | 30 | 30 | 6.8 | 221 210 012 351 020 009 |
| 32B-1 | 2" x 31 mm | C9 | 38 | 38 | 23 | 30 | 30 | 7.7 | 221 210 013 351 020 009 |
| 32B-1 | 2" x 31 mm | C12 | 60 | 60 | 25 | 35 | 30 | 7.7 | 221 210 014 351 020 012 |

Dimensions in mm - Separate ASA/JIS product catalogue available.

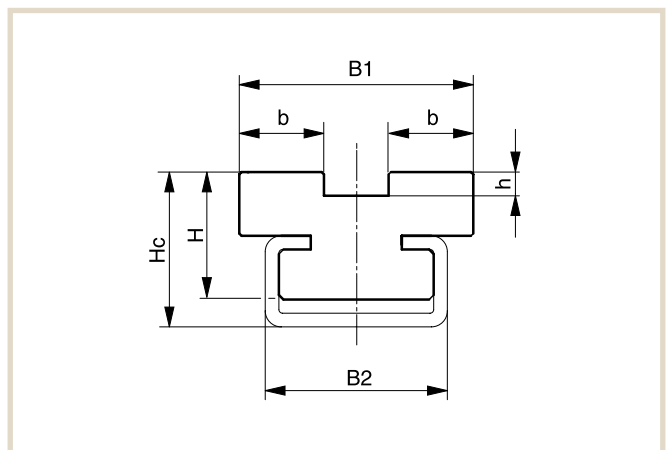
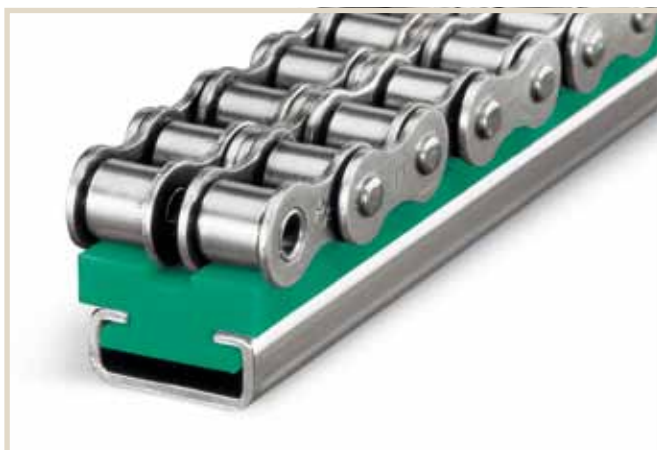


TYPE CT-DUPLEX




| DIN 8187 chain no. | Chain dimensions in inches | C profile type  | B1 | B2 | H | Hc | b | h | Article no. |
|--------------------|----------------------------|--|------|----|----|----|------|-----|----------------------------|
| 06B-2 | 3/8" x 7/32" | C3 | 15.6 | 20 | 14 | 17 | 5.3 | 1.5 | 221 210 022 351 020 003 |
| 08B-2 | 1/2" x 5/16" | C3 | 21.2 | 20 | 14 | 17 | 7.2 | 2.2 | 221 210 016 351 020 003 |
| 10B-2 | 5/8" x 3/8" | C3 | 25.6 | 20 | 14 | 17 | 9.0 | 2.6 | 221 210 017 351 020 003 |
| 12B-2 | 3/4" x 7/16" | C5 | 30.4 | 28 | 15 | 20 | 10.9 | 2.4 | 221 210 018 351 020 005 |
| 16B-2 | 1" x 17 mm | C9 | 47.8 | 38 | 20 | 27 | 15.8 | 3.5 | 221 210 019 351 020 009 |
| 20B-2 | 1 1/4" x 3/4" | C12 | 54.7 | 60 | 22 | 30 | 18.2 | 4.2 | 221 210 020 351 020 012 |
| 24B-2 | 1 1/2" x 1" | C12 | 72.0 | 60 | 25 | 35 | 23.6 | 5.5 | 221 210 021 351 020 012 |

Dimensions in mm - Separate ASA/JIS product catalogue available.

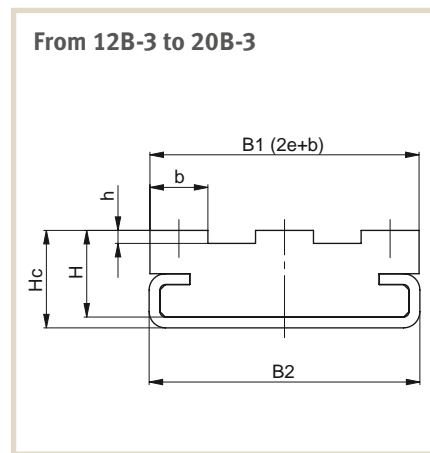
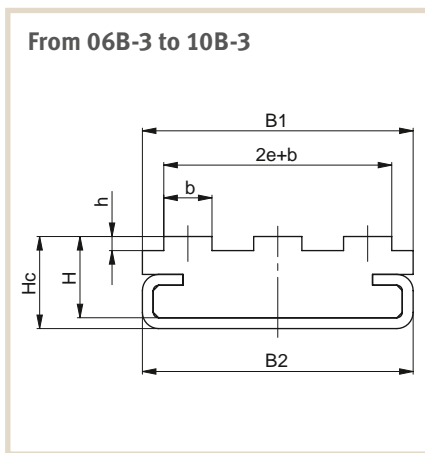


TYPE CT-TRIPLEX



| DIN 8187 chain no. | Chain dimensions in inches | C profile type  | B1 | B2 | H | Hc | b | h | 2e + b | Article no. |
|--------------------|----------------------------|--|------|----|----|----|------|-----|--------|-------------|
| 06B-3 | 3/8" x 7/32" | | 30.0 | | 15 | 20 | 5.3 | 1.5 | 25.9 | 221 210 023 |
| | | C5 | | 28 | | | | | | 351 020 005 |
| 08B-3 | 1/2" x 5/16" | | 34.9 | | 15 | 20 | 7.1 | 2.2 | 34.9 | 221 210 024 |
| | | C5 | | 28 | | | | | | 351 020 005 |
| 10B-3 | 5/8" x 3/8" | | 50.0 | | 15 | 17 | 8.9 | 2.6 | 42.1 | 221 210 025 |
| | | C4 | | 50 | | | | | | 351 020 004 |
| 12B-3 | 3/4" x 7/16" | | 49.7 | | 18 | 20 | 10.7 | 2.4 | 49.7 | 221 210 026 |
| | | C4 | | 50 | | | | | | 351 020 004 |
| 16B-3 | 1" x 17 mm | | 79.5 | | 20 | 22 | 15.7 | 3.5 | 79.5 | 221 210 027 |
| | | C6 | | 80 | | | | | | 351 020 006 |
| 20B-3 | 1 1/4" x 3/4" | | 91.0 | | 20 | 22 | 18.0 | 4.2 | 91.0 | 221 210 028 |
| | | C6 | | 80 | | | | | | 351 020 006 |

Dimensions in mm - Separate ASA/JIS product catalogue available.

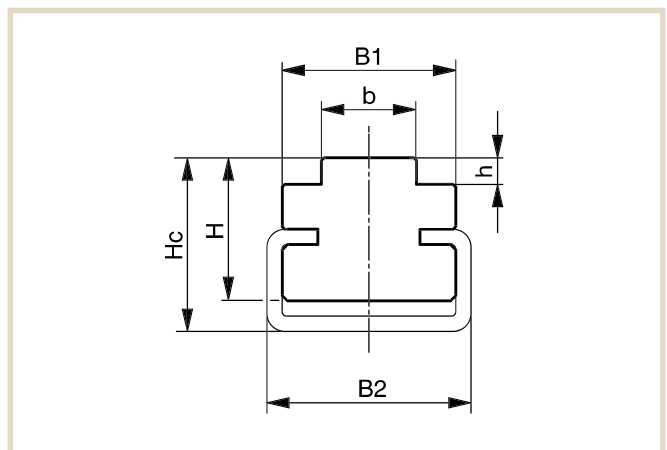


TYPE CT



| chain no. | | Chain dimensions in inch | C profile type | B1 | B2 | H | Hc | b | h | Article no. | |
|-----------|----------|-----------------------------|-------------------|----|----|----|----|------|------|----------------------------|----------------------------|
| ASA/JIS | DIN 8188 | | | | | | | | | 2000 mm length | 3048 mm length |
| 35 | 06C-1 | 3/8" x 3/16" | C3 | 17 | 20 | 14 | 17 | 4.4 | 2.3 | 221 350 002 351 020 003 | 221 260 001 351 120 003 |
| 40 | 08A-1 | 1/2" x 5/16" | C3 | 17 | 20 | 14 | 17 | 7.4 | 2.4 | 221 350 003 351 020 003 | 221 260 002 351 120 003 |
| 50 | 10A-1 | 5/8" x 3/8" | C3 | 17 | 20 | 14 | 17 | 8.8 | 2.8 | 221 350 004 351 020 003 | 221 260 003 351 120 003 |
| 60 | 12A-1 | 3/4" x 1/2" | C5 | 24 | 28 | 14 | 20 | 11.8 | 3.5 | 221 350 005 351 020 005 | 221 260 004 351 120 005 |
| 80 | 16A-1 | 1" x 5/8" | C5 | 24 | 28 | 14 | 20 | 14.8 | 4.7 | 221 350 006 351 020 005 | 221 260 005 351 120 005 |
| 100 | 20A-1 | 1 1/4" x 3/4" | C5 | 24 | 28 | 18 | 23 | 17.8 | 6.4 | 221 350 007 351 020 005 | 221 260 006 351 120 005 |
| 120 | 24A-1 | 1 1/2" x 1" | C9 | 33 | 38 | 22 | 30 | 23.7 | 8 | 221 350 008 351 020 009 | 221 260 007 351 120 009 |
| 140 | 28A-1 | 1 3/4" x 1" | C9 | 33 | 38 | 25 | 32 | 23.7 | 9.7 | 221 350 009 351 020 009 | 221 260 008 351 120 009 |
| 160 | 32A-1 | 2" x 1 1/4" | C12 | 55 | 60 | 30 | 40 | 29.7 | 11.3 | 221 350 010 351 020 012 | 221 260 009 351 120 012 |

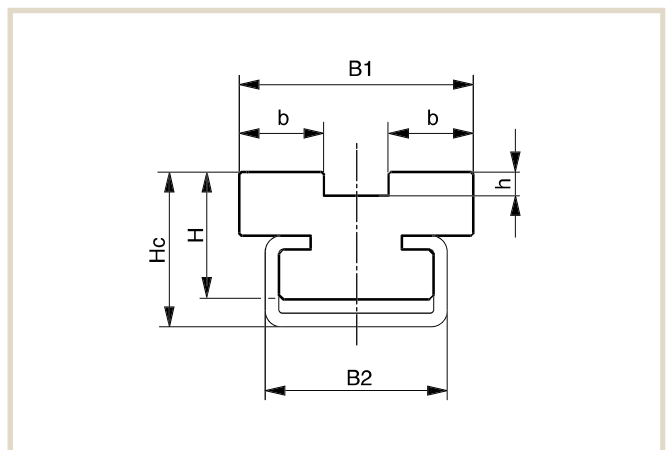
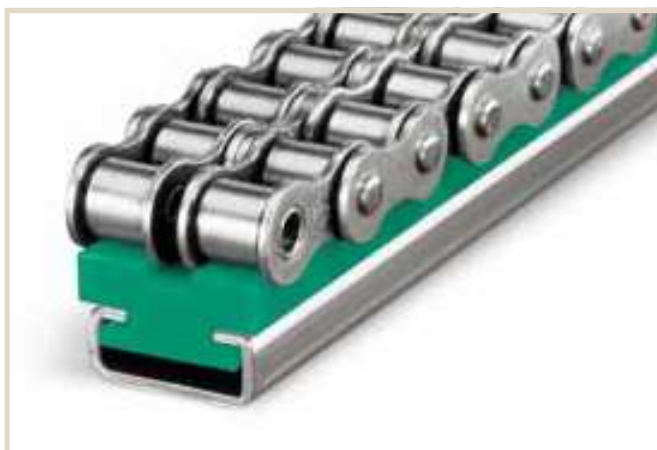
Dimensions in mm



TYPE CT-DUPLEX



| chain no. | | Chain dimensions in inch | C profile type | B1 | B2 | H | Hc | b | h | Article no. | |
|-----------|----------|-----------------------------|-------------------|------|----|----|----|------|------|----------------------------|----------------------------|
| ASA/JIS | DIN 8188 | | | | | | | | | 2000 mm length | 3048 mm length |
| 35-2 | 06C-2 | 3/8" x 3/16" | C3 | 14.5 | 20 | 14 | 17 | 4.4 | 2.3 | 221 350 020 351 020 003 | 221 260 011 351 120 003 |
| 40-2 | 08A-2 | 1/2" x 5/16" | C3 | 21.8 | 20 | 14 | 17 | 7.4 | 2.4 | 221 350 021 351 020 003 | 221 260 012 351 120 003 |
| 50-2 | 10A-2 | 5/8" x 3/8" | C5 | 26.9 | 28 | 15 | 20 | 8.8 | 2.8 | 221 350 022 351 020 005 | 221 260 013 351 120 005 |
| 60-2 | 12A-2 | 3/4" x 1/2" | C5 | 34.6 | 28 | 18 | 22 | 11.8 | 3.5 | 221 350 023 351 020 005 | 221 260 014 351 120 005 |
| 80-2 | 16A-2 | 1" x 5/8" | C9 | 44 | 38 | 22 | 30 | 14.8 | 4.7 | 221 350 024 351 020 009 | 221 260 015 351 120 009 |
| 100-2 | 20A-2 | 1 1/4" x 3/4" | C12 | 53 | 60 | 22 | 30 | 17.8 | 6.4 | 221 350 025 351 020 012 | 221 260 016 351 120 012 |
| 120-2 | 24A-2 | 1 1/2" x 1" | C12 | 69 | 60 | 25 | 35 | 23.7 | 8 | 221 350 026 351 020 012 | 221 260 017 351 120 012 |
| 140-2 | 28A-2 | 1 3/4" x 1" | C12 | 72 | 60 | 30 | 40 | 23.7 | 9.7 | 221 350 027 351 020 012 | 221 260 018 351 120 012 |
| 160-2 | 32A-2 | 2" x 1 1/4" | C12 | 88 | 60 | 40 | 45 | 29.7 | 11.3 | 221 350 028 351 020 012 | 221 260 019 351 120 012 |



TYPE CT-TRIPLEX



| chain no. | | Chain dimensions in inch | C profile type | B1 | B2 | H | Hc | b | h | 2e+b | Article no. | |
|-----------|----------|-----------------------------|-------------------|------|----|----|----|------|-----|------|----------------------------|----------------------------|
| ASA/JIS | DIN 8188 | | | | | | | | | | 2000 mm length | 3048 mm length |
| 35-3 | 06C-3 | 3/8" x 3/16" | C5 | 30 | 28 | 15 | 20 | 4.2 | 2.3 | 24.5 | 221 250 023 351 020 005 | 221 260 020 351 120 005 |
| 40-3 | 08A-3 | 1/2" x 5/16" | C5 | 36 | 28 | 15 | 20 | 7.2 | 2.4 | 36 | 221 250 024 351 020 005 | 221 260 021 351 120 005 |
| 50-3 | 10A-3 | 5/8" x 3/8" | C4 | 50 | 50 | 15 | 17 | 8.7 | 2.8 | 44.9 | 221 250 025 351 020 004 | 221 260 022 351 120 004 |
| 60-3 | 12A-3 | 3/4" x 1/2" | C4 | 57.3 | 50 | 18 | 20 | 11.7 | 3.5 | 57.3 | 221 250 026 351 020 004 | 221 260 023 351 120 004 |
| 80-3 | 16A-3 | 1" x 5/8" | C6 | 73.2 | 80 | 20 | 22 | 14.6 | 4.7 | 73.2 | 221 250 027 351 020 006 | 221 260 024 351 120 006 |
| 100-3 | 20A-3 | 1 1/4" x 3/4" | C6 | 89.2 | 80 | 20 | 22 | 17.6 | 6.4 | 89.2 | 221 250 028 351 020 006 | 221 260 025 351 120 006 |

Dimensions in mm

