

TECNA®



Advanced Resistance Welding Systems and Balancers

Balancing your creativity



General Catalogue
Balancers

CAPACITY 0,2 ÷ 180 kg

CE ATEX

EN

www.tecna.net

Made in Italy



TECNA S.P.A. - VIA MEUCCI, 27 - CASTEL SAN PIETRO TERME

TECNA produces and distributes a complete range of BALANCERS having a capacity from 0.2 kg to 180 kg and an available standard wire stroke up to 3 meters. The TECNA BALANCER is an essential device to eliminate the operator's labour, to increase productivity by cutting down tools handling time and to improve work quality. Furthermore, the use of the TECNA BALANCERS reduces hoses and cables wear and avoids eventual damages to both people and tools. The application of the TECNA BALANCER is absolutely versatile: it may be used for bench or assembly line works and it may be suitably applied to small tools, industrial suspended welders and multiple screw drivers. The ergonomic structure of the TECNA balancers has been designed to facilitate each application of use, ranging from movement easiness to body robustness, from simple use to lifting power. TECNA, as a primary manufacturer, realizes special as well as customized versions upon demand.



TECNA S.P.A. - VIA GR





IECO, 25/27 - CASTEL SAN PIETRO TERME



Balancers Line

Introduction	p. 2
9300-9303 9310-9313	p. 5
9300NY-9303NY 9310NY-9313NY	p. 6
9320-9323 9320NY-9323NY	p. 7
9336-9340 9346-9350	p. 8
9336NY-9340NY 9346NY-9350NY	p. 9
9354-9359 9354G-9359G	p. 10
9361-9369 9370-9371	p. 11
9361G-9369G 9370G-9371G	p. 12
9401-9405 9431-9433	p. 13
9401G-9405G 9431G-9433G	p. 14
9411-9414 9434-9444	p. 15
9411G-9414G 9434G-9444G	p. 16
9422-9426 9451-9456	p. 17
9422G-9426G 9451G-9456G	p. 18
9502-9509 9520-9525	p. 19
9200-9203	p. 20
Extension cables for balancers	p. 21
Example balancer installation	p. 22
Balancers technical features	p. 23
Packaging features	p. 24
9311AX-9313AX	p. 25
9320AX-9323AX	p. 25
9336AX-9340AX	p. 26
9346AX-9350AX	p. 26
9354AX-9359AX	p. 27
9502AX-9509AX 9520AX-9525AX	p. 28
ATEX Balancers technical features	p. 29
ATEX Packaging features	p. 30
Application list	p. 31

1. Tips for choosing the balancer.
Evaluate the total load to be balanced and the maximum working stroke required. Check that the load to be balanced is within the minimum and the maximum capacity of the balancer, while the working stroke should be less than the maximum stroke.
2. Product Certifications.
The TECNA balancers are produced in conformity with the DIN 15112:1979
An ATEX-certified balancers line expands the TECNA balancers range. They are suitable to be installed in potentially explosive areas composed by flammable gases or explosive dusts.
3. Certifications achieved and in compliance with standards.

DIN 15112:1979



Made in Italy



9300÷9303

9310÷9313



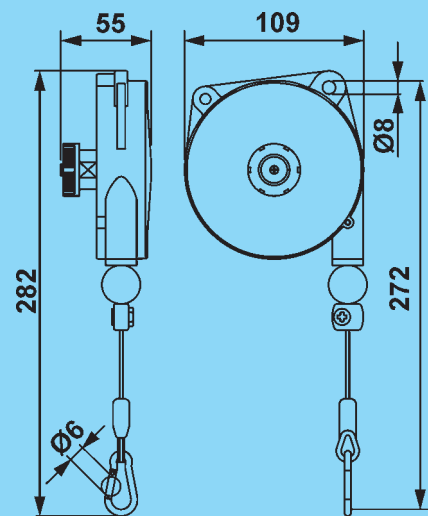
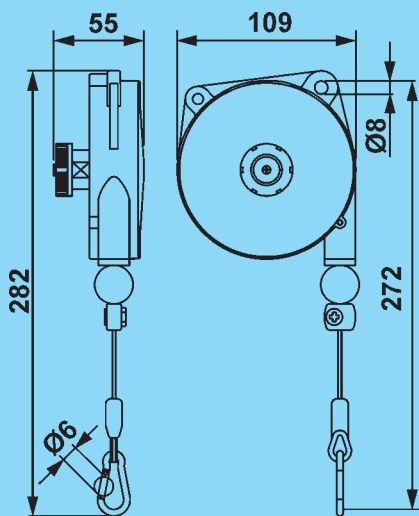
01

	Nylon
	1600 mm
	Inox
	0,2÷3 kg



02

	Aluminium
	1600 mm
	Inox
	0,2÷3 kg



Item	9300	9301	9302	9303
	0,2÷0,5	0,4÷1	1÷2	2÷3
	0,43	0,46	0,49	0,64

Item	9310	9311	9312	9313
	0,2÷0,5	0,4÷1	1÷2	2÷3
	0,55	0,57	0,60	0,74

9300NY÷9303NY

9310NY÷9313NY



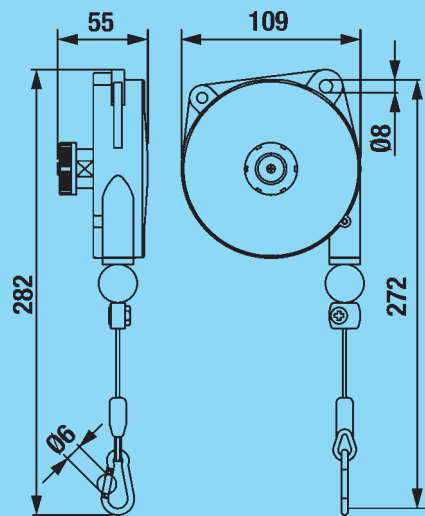
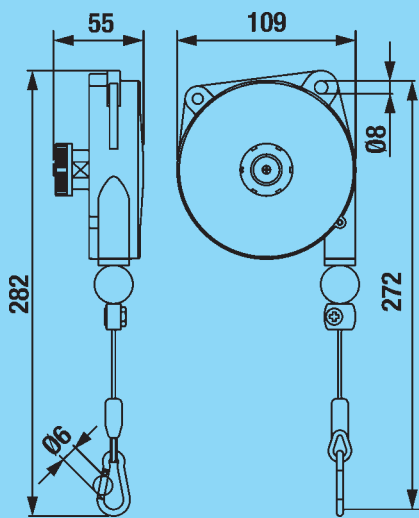
03

	Nylon
	1600 mm
	Polypropylene
	0,2÷3 kg



04

	Aluminium
	1600 mm
	Polypropylene
	0,2÷3 kg



Item	9300NY	9301NY	9302NY	9303NY
	0,2÷0,5	0,4÷1	1÷2	2÷3
	0,43	0,46	0,49	0,64

Item	9310NY	9311NY	9312NY	9313NY
	0,2÷0,5	0,4÷1	1÷2	2÷3
	0,55	0,57	0,60	0,74

9320÷9323

9320NY÷9323NY

05



	Aluminium
	2000 mm
	Inox
	1÷8 kg



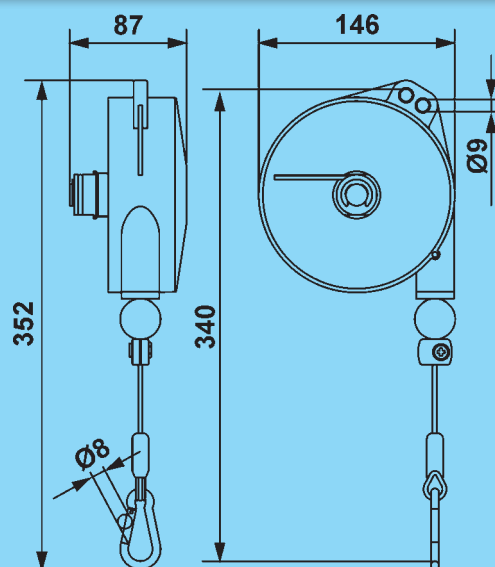
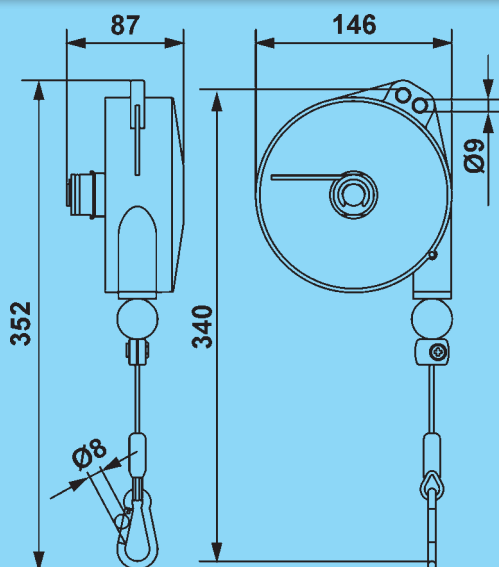
Opz. 37827

Rubbered protection for range of balancers
Item 9320, 9321, 9322, 9323.

06



	Aluminium
	2000 mm
	Polypropylene
	1÷8 kg



Item	9320	9321	9322	9323
	1÷2,5	2÷4	4÷6	6÷8
	1,67	1,90	1,98	2,28

Item	9320NY	9321NY	9322NY	9323NY
	1÷2,5	2÷4	4÷6	6÷8
	1,67	1,90	1,98	2,28

9336÷9340

9346÷9350

07



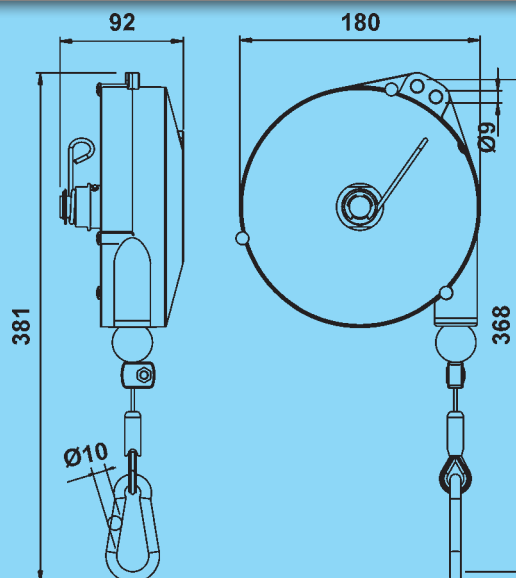
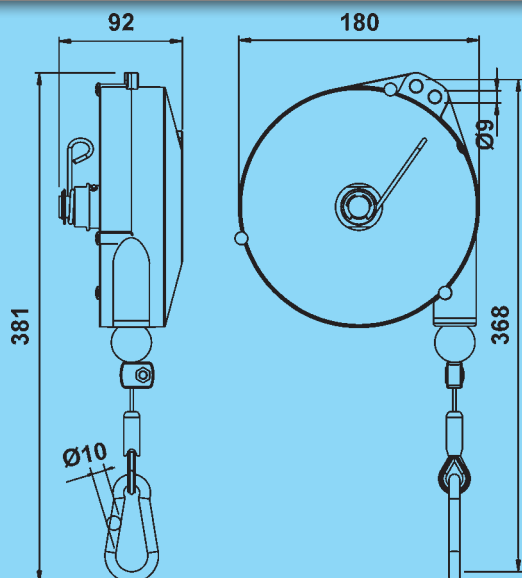
	Aluminium
	2500 mm
	Inox
	2÷14 kg

08



	Aluminium
	2500 mm
	Inox
	2÷14 kg

These balancers are equipped with a device enabling to stop the stroke by carrying out a simple operation on the load and with a device that disables it.



Item	9336	9337	9338	9339	9340
	2÷4	4÷6	6÷8	8÷10	10÷14
	3,14	3,30	3,36	3,43	3,58

Item	9346	9347	9348	9349	9350
	2÷4	4÷6	6÷8	8÷10	10÷14
	3,14	3,32	3,38	3,48	3,62

9336NY÷9340NY

9346NY÷9350NY

09



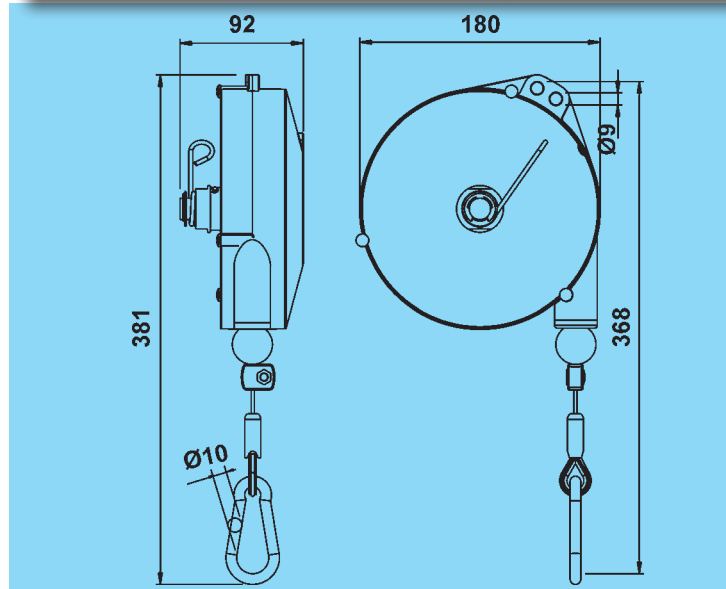
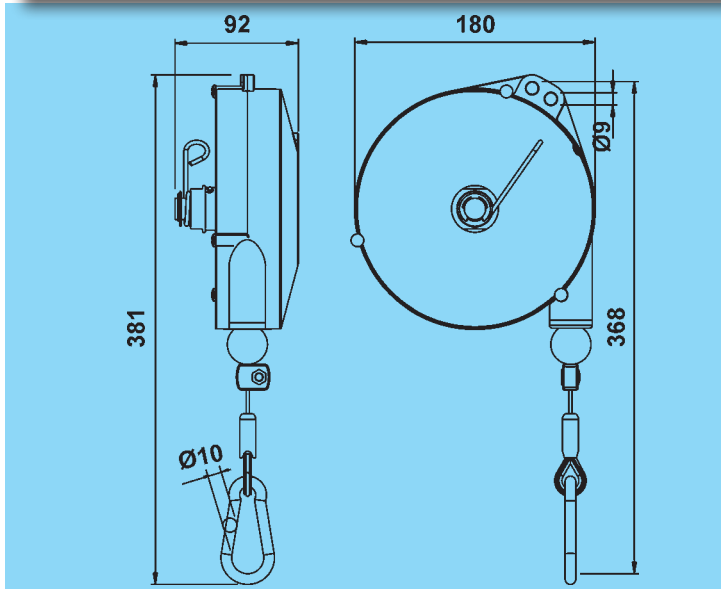
	Aluminium
	2500 mm
	Dyneema®
	2÷14 kg

10



	Aluminium
	2500 mm
	Dyneema®
	2÷14 kg

These balancers are equipped with a device enabling to stop the stroke by carrying out a simple operation on the load and with a device that disables it.



Item	9336NY	9337NY	9338NY	9339NY	9340NY
	2÷4	4÷6	6÷8	8÷10	10÷14
	3,14	3,30	3,36	3,43	3,58




Item	9346NY	9347NY	9348NY	9349NY	9350NY
	2÷4	4÷6	6÷8	8÷10	10÷14
	3,14	3,32	3,38	3,48	3,62

9354÷9359

9354G÷9359G

Option F

11

	Aluminium
	2000 mm
	Inox
	4÷25 kg




Option F Brake device

The balancer is equipped with a friction/brake which controls the rotation speed of the drum. This option is feasible when placing a new order while it is not possible to assemble this device on balancers already installed.



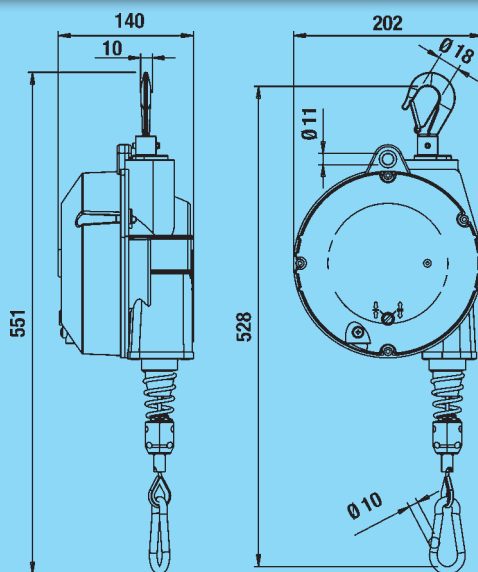
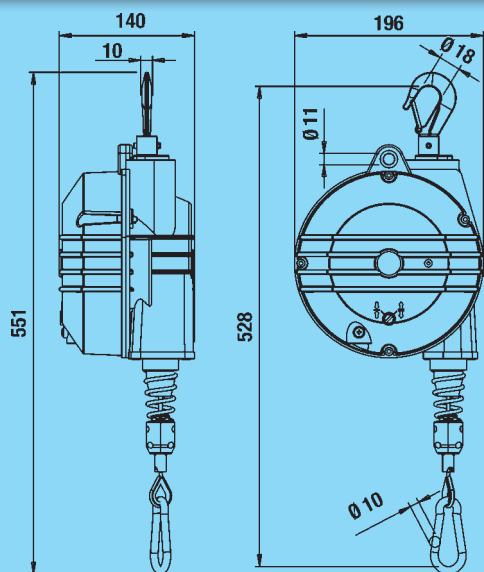
Option F



12



	Aluminium/Rubber
	2000 mm
	Inox
	4÷25 kg

Option F Brake device

The balancer is equipped with a friction/brake which controls the rotation speed of the drum. This option is feasible when placing a new order while it is not possible to assemble this device on balancers already installed.



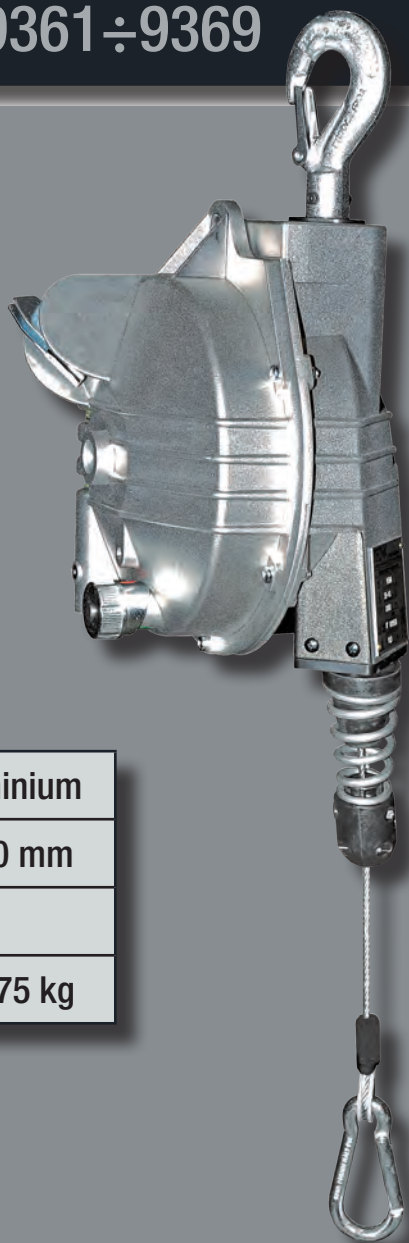
Item	9354	9355	9356	9357	9358	9359
	4÷7	7÷10	10÷14	14÷18	18÷22	22÷25
	4,94	5,30	5,67	6,26	5,89	6,53

Item	9354G	9355G	9356G	9357G	9358G	9359G
	4÷7	7÷10	10÷14	14÷18	18÷22	22÷25
	5,58	5,93	6,31	6,90	6,53	7,17

9361÷9369

9370÷9371

13

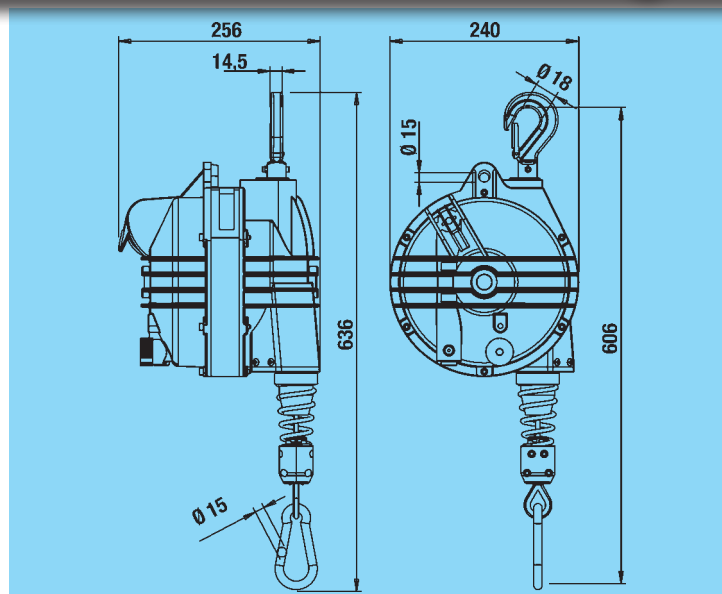
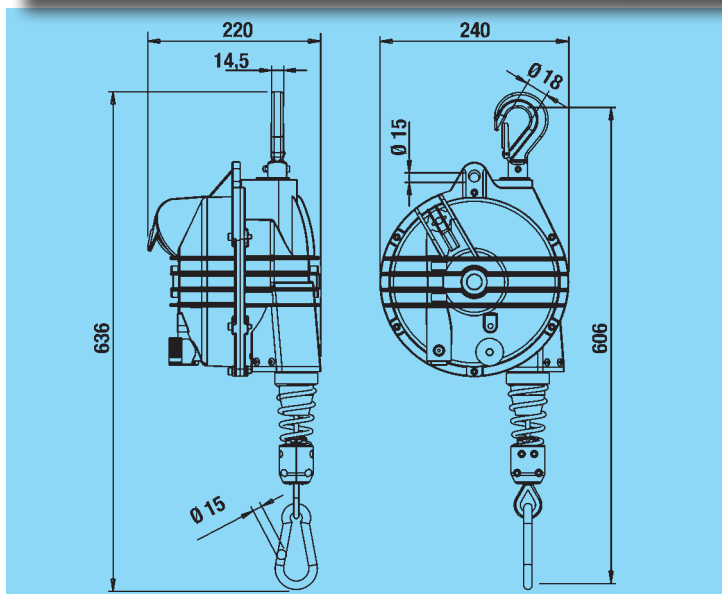


	Aluminium
	2000 mm
	Inox
	10÷75 kg

14



	Aluminium
	2000 mm
	Inox
	75÷105 kg



Item	9361	9362	9363	9364	9365	9366	9367	9368	9369
	10÷15	15÷20	20÷25	25÷30	30÷35	35÷45	45÷55	55÷65	65÷75
	9,20	9,50	9,80	10,20	10,60	11,00	11,30	12,30	13,20

9370	9371
75÷90	90÷105
16,10	17,20

9361G÷9369G

9370G÷9371G

15

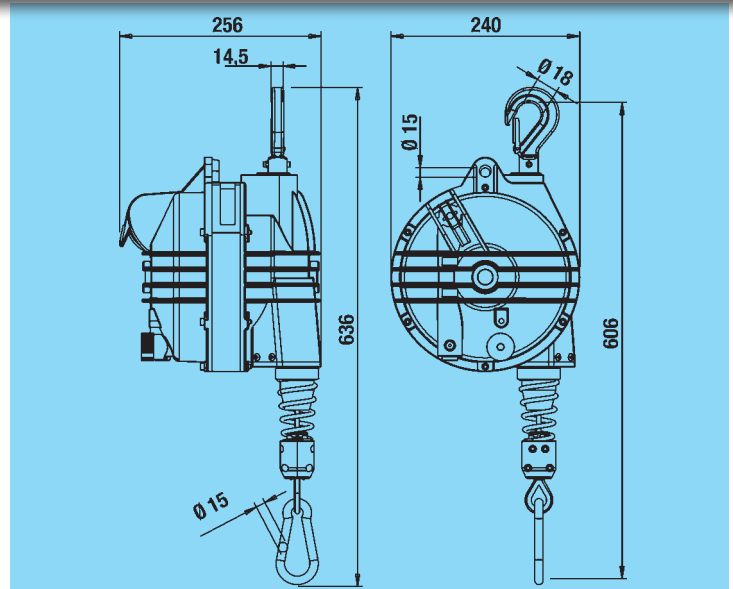
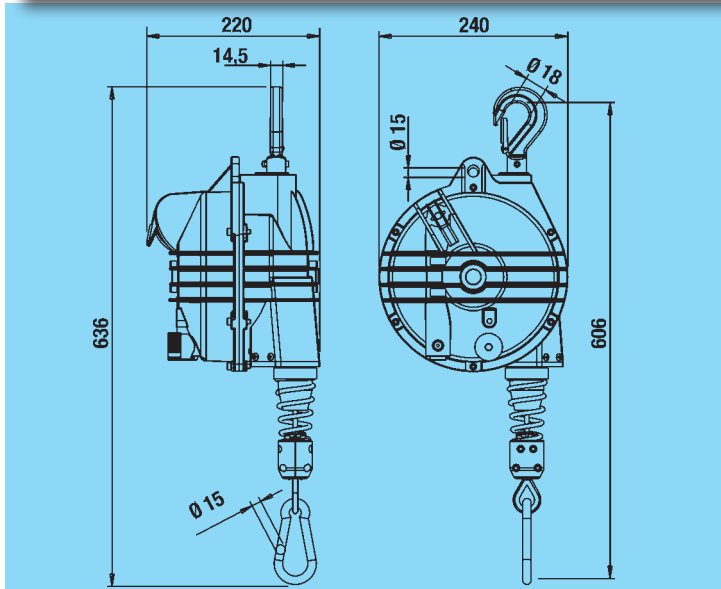


	Aluminium/Rubber
	2000 mm
	Inox
	10÷75 kg

16







	Aluminium/Rubber
	2000 mm
	Inox
	75÷105 kg



Item	9361G	9362G	9363G	9364G	9365G	9366G	9367G	9368G	9369G
	10÷15	15÷20	20÷25	25÷30	30÷35	35÷45	45÷55	55÷65	65÷75
	10,30	10,60	10,90	11,30	11,70	12,10	12,40	13,40	14,30

	9370G	9371G
	75÷90	90÷105
	17,20	18,30

17

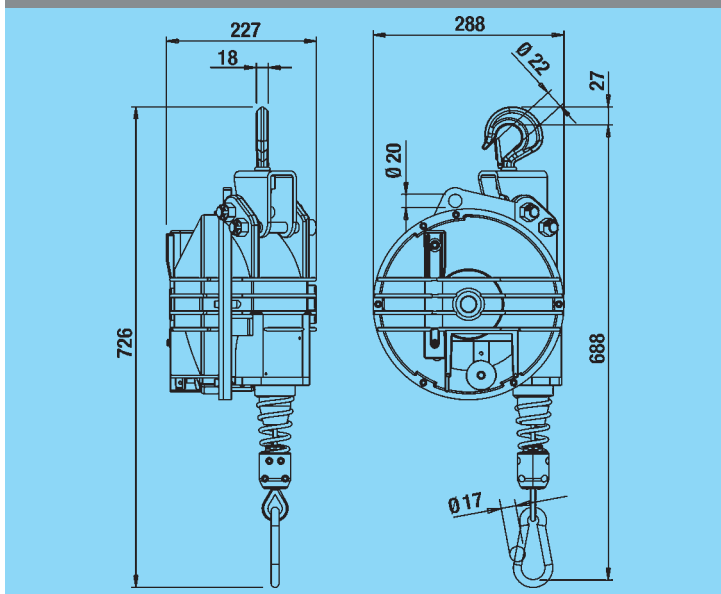
	Aluminium	
	2500 mm	9401÷9405
	3000 mm	9431÷9433
	Inox	
	15÷60 kg	

Option RI (70477)

Rotary and insulating device.

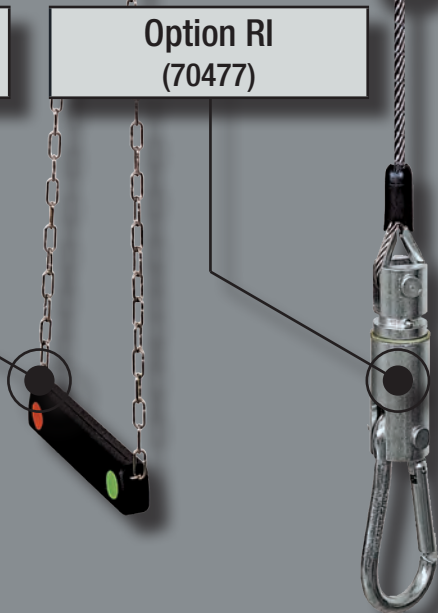
Option B (70084)



Locking-unlocking device with control from the floor.



**Option B
(70084)**

**Option RI
(70477)**







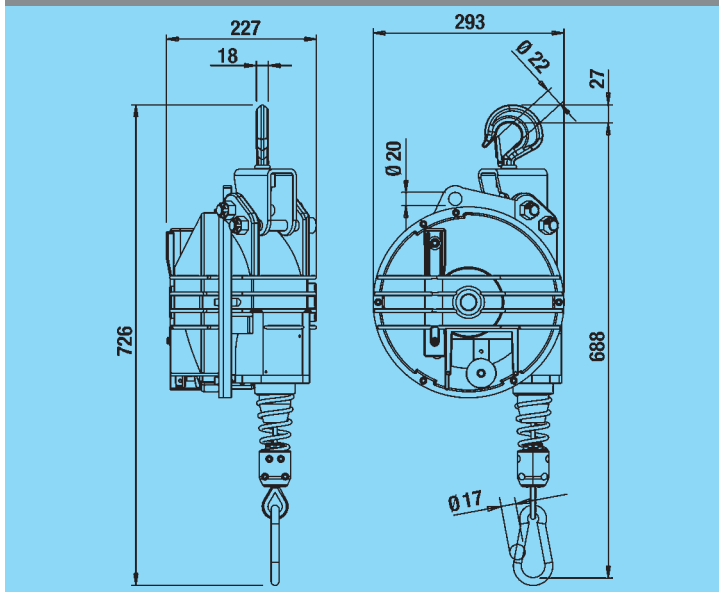
Item	9401	9402	9403	9404	9405	9431	9432	9433
	15÷20	20÷30	30÷40	40÷50	50÷60	15÷20	20÷25	25÷35
	19,67	21,11	21,11	22,03	23,07	19,67	19,67	21,11



9401G÷9405G

9431G÷9433G

18

	Aluminium/Rubber	
	2500 mm	9401G÷9405G
	3000 mm	9431G÷9433G
	Inox	
	15÷60 kg	







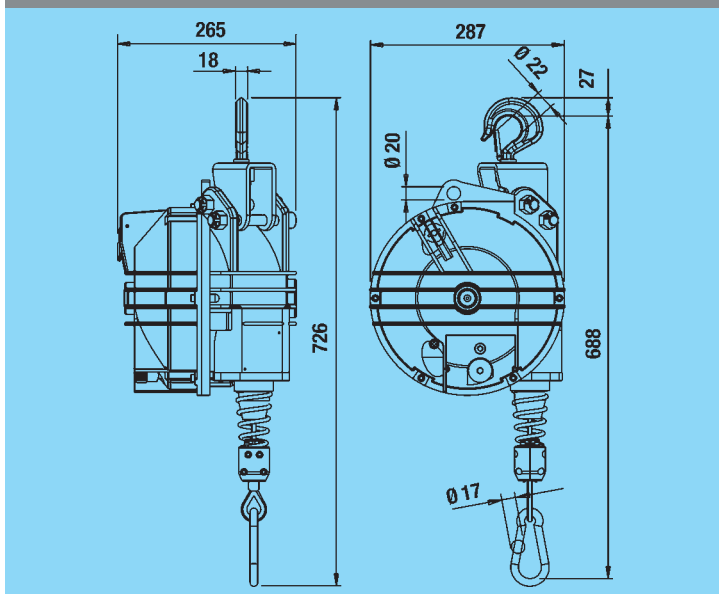
Item	9401G	9402G	9403G	9404G	9405G	9431G	9432G	9433G
	15÷20	20÷30	30÷40	40÷50	50÷60	15÷20	20÷25	25÷35
	20,75	22,19	22,19	23,12	24,15	20,75	20,75	22,19



9411÷9414

9434÷9444

19

	Aluminium	
	2500 mm	9411÷9414
	3000 mm	9434÷9444
	Inox	
	35÷100 kg	



Item	9411	9412	9413	9414
	60÷70	70÷80	80÷90	90÷100
	25,56	26,75	27,90	28,46

9434	9435	9436	9441	9442	9443	9444
35÷45	40÷50	50÷60	60÷70	70÷80	80÷90	80÷100
24,46	23,64	24,69	25,56	26,75	27,90	28,46

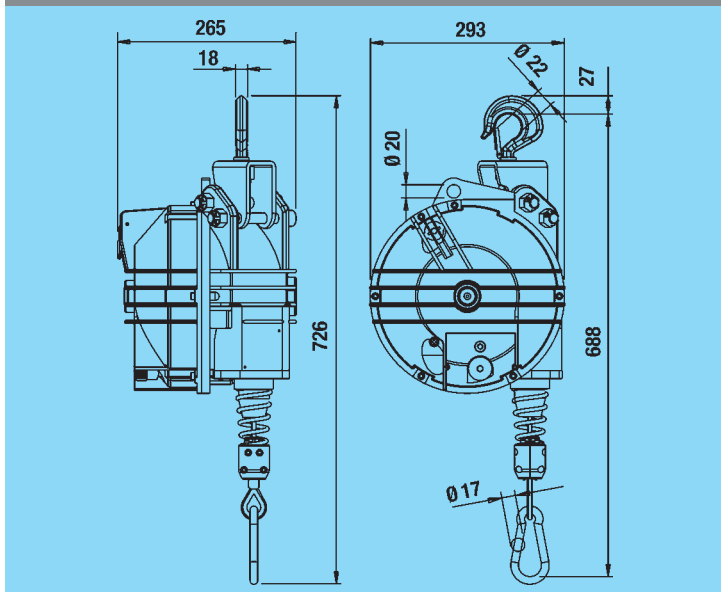
9411G÷9414G

9434G÷9444G

20



	Aluminium/Rubber	
	2500 mm	9411G÷9414G
	3000 mm	9434G÷9444G
	Inox	
	35÷100 kg	







Item	9411G	9412G	9413G	9414G
	60÷70	70÷80	80÷90	90÷100
	26,79	27,98	29,13	29,69

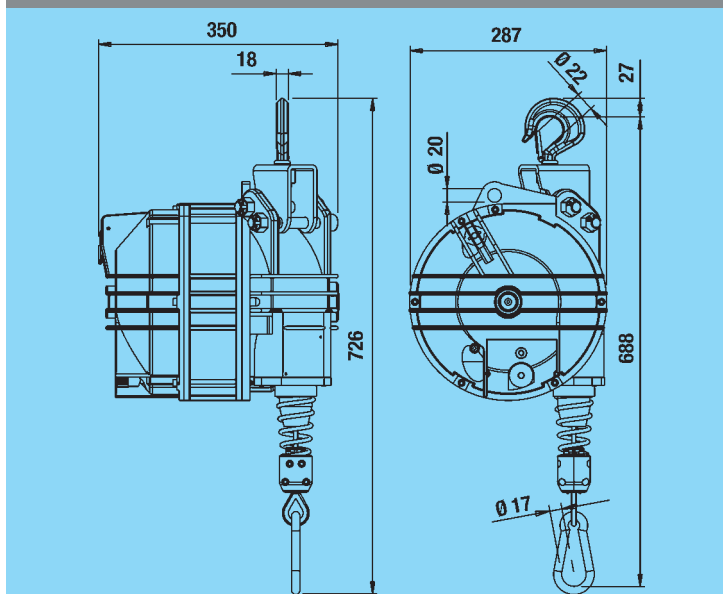
9434G	9435G	9436G	9441G	9442G	9443G	9444G
35÷45	40÷50	50÷60	60÷70	70÷80	80÷90	80÷100
25,69	24,88	25,91	26,79	27,98	29,13	29,69

9422÷9426

9451÷9456

21

	Aluminium	
	2500 mm	9422÷9426
	3000 mm	9451÷9456
	Inox	
	100÷180 kg	



Item	9422	9423	9424	9425	9426
	100÷120	120÷140	130÷150	140÷160	160÷180
	36,61	38,51	38,83	40,90	43,20

9451	9452	9453	9454	9455	9456
100÷115	115÷130	130÷140	140÷150	150÷160	160÷180
36,61	36,77	38,51	38,83	40,90	43,20

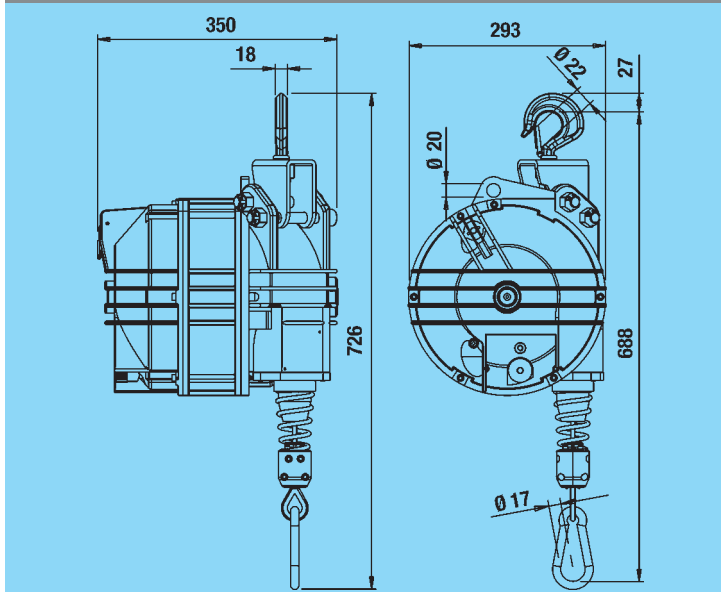
9422G÷9426G

9451G÷9456G

22



	Aluminium/Rubber	
	2500 mm	9422G÷9426G
	3000 mm	9451G÷9456G
	Inox	
	100÷180 kg	







Item	9422G	9423G	9424G	9425G	9426G
	100÷120	120÷140	130÷150	140÷160	160÷180
	37,83	39,74	40,06	42,13	44,43

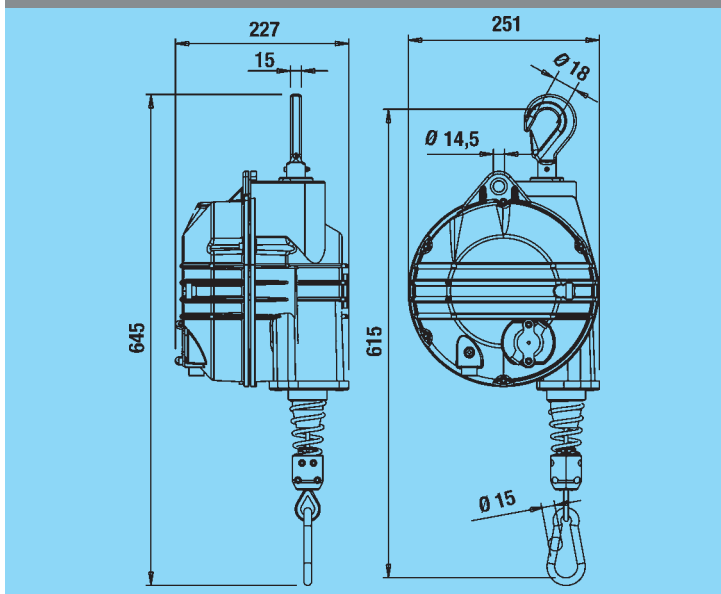
9451G	9452G	9453G	9454G	9455G	9456G
100÷115	115÷130	130÷140	140÷150	150÷160	160÷180
37,83	37,99	39,74	40,06	42,13	44,43



9502÷9509

9520÷9525

23

	Aluminium	
	2100 mm	9502÷9509
	2700 mm	9520÷9525
	Inox	
	12÷100 kg	







Item	9502	9503	9504	9505	9506	9507	9508	9509	9520	9521	9522	9523	9524	9525
	20÷30	30÷40	40÷50	50÷60	60÷70	70÷80	80÷90	90÷100	12÷20	20÷30	30÷40	40÷50	50÷60	60÷70
	12,60	15,20	15,50	16,70	15,50	17,70	16,20	16,80	12,80	12,60	15,80	15,40	16,60	15,70

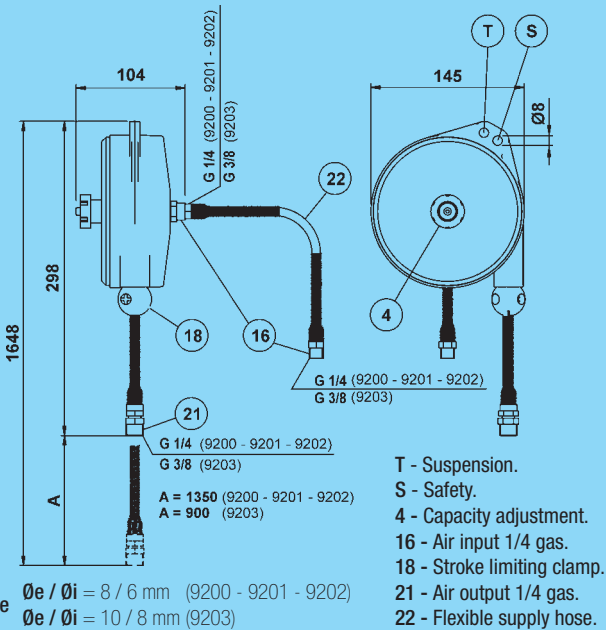
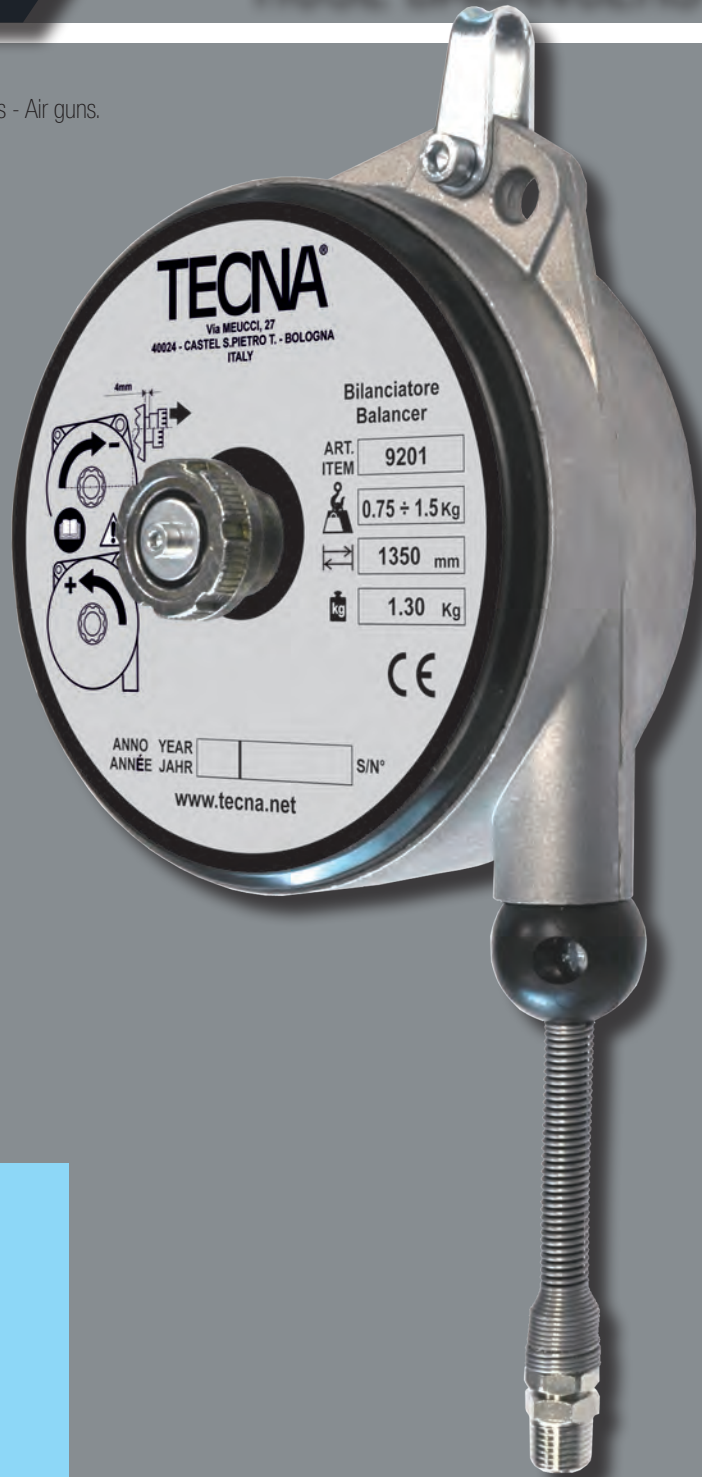
Used for arranging ergonomic work stations.
Applications: Screw drivers - Drills - Shearing machines - Tools for electronics - Air guns.

ADVANTAGES



- Maximum ease of use.
- Minimum overall dimensions as the tool is supported by the hose.
- Polyurethane hose.
- Rugged construction, cast aluminium body.
- Adjustable capacity.
- Springs properly sized to ensure long life and smooth running.
- Adjustable stroke limiting device.
- Auxiliary safety suspension.

24

	Aluminium	
	1350 mm	9200÷9202
	900 mm	9203
	Polyurethane	
	0,4÷5 kg	



Max operating pressure:
8 bar
Max operating temperature:
50°

Item	9200	9201	9202	9203
	0,4÷0,8	0,75÷1,5	1,2÷2,5	3÷5
	1,25	1,30	1,35	1,35

EXTENSIONS CABLE FOR BALANCERS

mm / inch

9301÷03 / 9311÷13 (carabiner 40mm-1.57")
EXTENSION CABLE Ø 2-0.08"

(L) MM	CODE	STEEL CABLE	(A) - CARABINER	(L) inch
500	72965/0,5	45868/0,5	21223	19.68
1000	72965/1	45868/1	21223	39.37
2500	72965/2,5	45868/2,5	21223	98.42
3000	72965/3	45868/3	21223	118.11
5000	72965/5	45868/5	21223	196.85

9320÷23 (carabiner 60mm-2.36")
EXTENSION CABLE Ø 2-0.08"

(L) MM	CODE	STEEL CABLE	(A) - CARABINER	(L) inch
500	72965/0,5/60	45868/0,5	20116	19.68
1000	72965/1/60	45868/1	20116	39.37
2500	72965/2,5/60	45868/2,5	20116	98.42
3000	72965/3/60	45868/3	20116	118.11
5000	72965/5/60	45868/5	20116	196.85

9336÷50 (carabiner 80mm-3.14")
EXTENSION CABLE Ø 2,5-0.10"

(L) MM	CODE	STEEL CABLE	(A) - CARABINER	(L) inch
500	72966/0,5	45869/0,5	20115	19.68
1000	72966/1	45869/1	20115	39.37
2500	72966/2,5	45869/2,5	20115	98.42
3000	72966/3	45869/3	20115	118.11
5000	72966/5	45869/5	20115	196.85

9354÷59 (carabiner 80mm-3.14")
EXTENSION CABLE Ø 3-0.12"

(L) MM	CODE	STEEL CABLE	(A) - CARABINER	(L) inch
500	72967/0,5	45870/0,5	20115	19.68
1000	72967/1	45870/1	20115	39.37
2500	72967/2,5	45870/2,5	20115	98.42
3000	72967/3	45870/3	20115	118.11
5000	72967/5	45870/5	20115	196.85

9361÷71 / 9520÷25 (carabiner 100mm-3.94")
EXTENSION CABLE Ø 4-0.16"

(L) MM	CODE	STEEL CABLE	(A) - CARABINER	(L) inch
500	72968/0,5	45871/0,5	20132	19.68
1000	72968/1	45871/1	20132	39.37
2500	72968/2,5	45871/2,5	20132	98.42
3000	72968/3	45871/3	20132	118.11
5000	72968/5	45871/5	20132	196.85

9502÷09 (carabiner 100mm-3.94")
EXTENSION CABLE Ø 5-0.20"

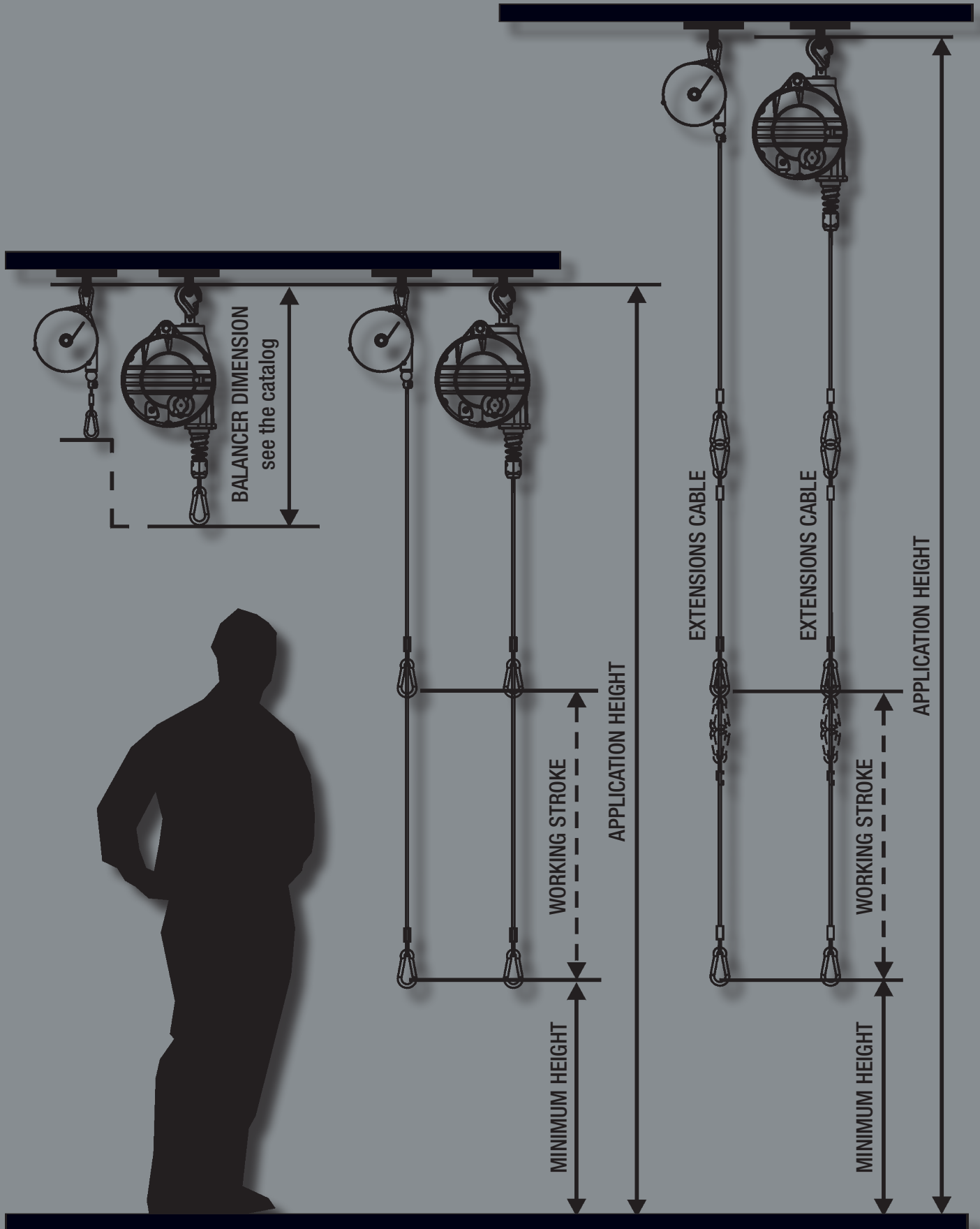
(L) MM	CODE	STEEL CABLE	(A) - CARABINER	(L) inch
500	72969/0,5	45872/0,5	20132	19.68
1000	72969/1	45872/1	20132	39.37
2500	72969/2,5	45872/2,5	20132	98.42
3000	72969/3	45872/3	20132	118.11
5000	72969/5	45872/5	20132	196.85

94XX (carabiner 120mm-4.72")
EXTENSION CABLE Ø 5-0.20"

(L) MM	CODE	STEEL CABLE	(A) - CARABINER	(L) inch
500	72969/0,5/120	45872/0,5	20589	19.68
1000	72969/1/120	45872/1	20589	39.37
2500	72969/2,5/120	45872/2,5	20589	98.42
3000	72969/3/120	45872/3	20589	118.11
5000	72969/5/120	45872/5	20589	196.85



EXAMPLE BALANCER INSTALLATION



BALANCERS TECHNICAL FEATURES

	3 1	4 2	6 5	9 7	10 8	12 11	14 16 13 15	19 22 18 21 17 20	19 22 18 21 17 20	23	23	
kg	0.2÷3	0.2÷3	1÷8	2÷14	2÷14	4÷25	10÷105	15÷180	15÷180	20÷100	12÷70	Capacity
mm	1600	1600	2000	2500	2500	2000	2000	2500	3000	2100	2700	Stroke
●												Rugged construction, Nylon body
	●	●	●	●	●							Rugged construction, cast aluminium body
						●	●	●	●	●	●	Ribbed and sealed construction in aluminium alloy
●3	●4	●6	●9	●10								Polypropylene / Dyneema rope, for «NY» model
●1	●2	●5	●7	●8	●	●	●	●	●	●	●	Stainless steel rope
●	●	●	●	●								Adjustable capacity
						●	●	●	●	●	●	Adjustable capacity by means of a worm screw
●	●	●	●	●	●	●	●	●	●	●	●	Safety suspension
		●	●	●	●	●	●	●	●	●	●	Safety device against load dropping due to the spring breakage (capacity >3kg)
							●	●	●			Centrifugal safety device
						●	●	●	●	●	●	Upper rotary suspension with safety hook
						●	●	●	●	●	●	Locking device to block the load at any height
●	●	●	●	●	●	●	●	●	●	●	●	Adjustable stroke limiting device
						●	●	●	●	●	●	Taper drum rotating on ball bearings
●	●	●	●	●	●	●	●	●	●	●	●	Cable guide in antifriction material
						●	●	●	●	●	●	Rotary upper hook with ball bearing
							●	●				Lining up upper hook
							●	●				Visible cable for inspection
●	●	●	●	●	●	●	●	●	●	●	●	Inert spring drum assembly
●	●	●	●	●			●					Polyamides thimble
●	●	●	●	●	●	●	●	●	●	●	●	Operating temperature between + 5°C to + 60°C.

ON REQUEST OPTIONS B - RI - F

							●	●	●	●	●	B: Locking-unlocking device with control from the floor
							●	●	●	●	●	RI: Rotary insulated hook
						●						F: Brake device

PACKAGING FEATURES

	9300 9300NY	9301 9301NY	9302 9302NY	9303 9303NY	9310 9310NY	9311 9311NY	9312 9312NY	9313 9313NY	9320 9320NY	9321 9321NY	9322 9322NY
kg	0,50	0,60	0,60	0,70	0,50	0,70	0,70	0,80	1,80	2,1	2,1
mm	204x112x62	204x112x62	204x112x62	204x112x62	204x112x62	204x112x62	204x112x62	204x112x62	254x149x96	254x149x96	254x149x96
●	1/3	1/3	1/3	1/3	2/4	2/4	2/4	2/4	5/6	5/6	5/6
	9323 9323NY	9336 9336NY	9337 9337NY	9338 9338NY	9339 9339NY	9340 9340NY	9346 9346NY	9347 9347NY	9348 9348NY	9349 9349NY	9350 9350NY
kg	2,5	3,40	3,60	3,70	3,70	3,80	3,40	3,60	3,70	3,80	3,90
mm	254x149x96	304x186x100	304x186x100	304x186x100	304x186x100	304x186x100	304x186x100	304x186x100	304x186x100	304x186x100	304x186x100
●	5/6	7/9	7/9	7/9	7/9	7/9	8/10	8/10	8/10	8/10	8/10
	9354 9354G	9355 9355G	9356 9356G	9357 9357G	9358 9358G	9359 9359G	9361 9361G	9362 9362G	9363 9363G	9364 9364G	9365 9365G
kg	6,00	6,40	6,80	7,40	7,00	7,60	11,80	12,10	12,40	13,30	13,30
mm	525x206x175	525x206x175	525x206x175	525x206x175	525x206x175	525x206x175	590x265x260	590x265x260	590x265x260	590x265x260	590x265x260
●	11/12	11/12	11/12	11/12	11/12	11/12	13/15	13/15	13/15	13/15	13/15
	9366 9366G	9367 9367G	9368 9368G	9369 9369G	9370 9370G	9371 9371G	9401 9401G	9402 9402G	9403 9403G	9404 9404G	9405 9405G
kg	14,10	14,10	15,00	15,80	18,80	19,70	22,70	24,10	24,10	25,10	26,10
mm	590x265x260	590x265x260	590x265x260	590x265x260	590x265x260	590x265x260	670x295x286	670x295x286	670x295x286	670x295x286	670x295x286
●	13/15	13/15	13/15	13/15	14/16	14/16	17/18	17/18	17/18	17/18	17/18
	9411 9411G	9412 9412G	9413 9413G	9414 9414G	9422 9422G	9423 9423G	9424 9424G	9425 9425G	9426 9426G	9431 9431G	9432 9432G
kg	28,50	29,70	30,80	31,40	40,00	41,90	42,20	44,30	46,60	22,70	22,70
mm	670x295x286	670x295x286	670x295x286	670x295x286	670x300x360	670x300x360	670x300x360	670x300x360	670x300x360	670x295x286	670x295x286
●	19/20	19/20	19/20	19/20	21/22	21/22	21/22	21/22	21/22	17/18	17/18
	9433 9433G	9434 9434G	9435 9435G	9436 9436G	9441 9441G	9442 9442G	9443 9443G	9444 9444G	9451 9451G	9452 9452G	9453 9453G
kg	24,10	27,50	26,60	27,60	28,50	29,70	30,80	31,40	40,00	40,10	41,90
mm	670x295x286	670x295x286	670x295x286	670x295x286	670x295x286	670x295x286	670x295x286	670x295x286	670x300x360	670x300x360	670x300x360
●	17/18	19/20	19/20	19/20	19/20	19/20	19/20	19/20	21/22	21/22	21/22
	9454 9454G	9455 9455G	9456 9456G	9502	9503	9504	9505	9506	9507	9508	9509
kg	42,20	44,30	46,60	14,40	17,00	17,30	18,50	17,30	19,50	18,00	18,60
mm	670x300x360	670x300x360	670x300x360	590x265x260	590x265x260	590x265x260	590x265x260	590x265x260	590x265x260	590x265x260	590x265x260
●	21/22	21/22	21/22	23	23	23	23	23	23	23	23
	9520	9521	9522	9523	9524	9525	9200	9201	9202	9203	
kg	14,60	14,40	17,60	17,20	18,40	17,50	1,40	1,40	1,60	1,60	
mm	590x265x260	590x265x260	590x265x260	590x265x260	590x265x260	590x265x260	225x160x110	225x160x110	225x160x110	225x160x110	
●	23	23	23	23	23	23	24	24	24	24	

9311AX÷9313AX

9320AX÷9323AX

25



	Aluminium
	1600 mm
	Inox
	0,4÷3 kg

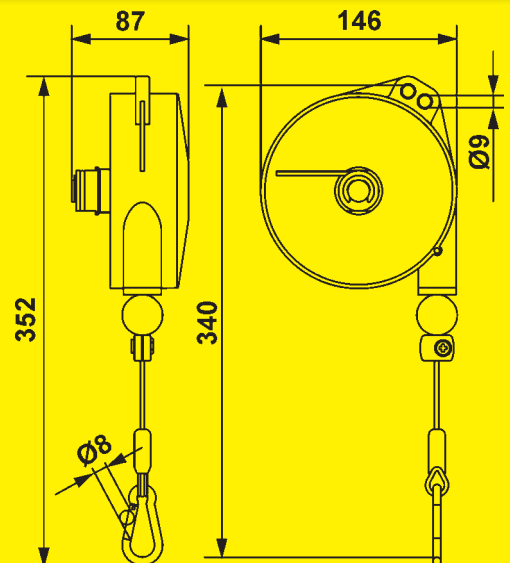
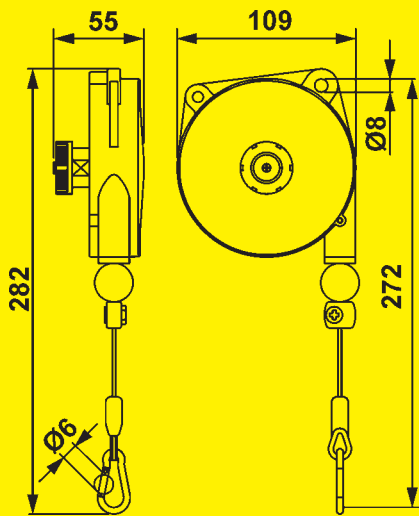
ATEX **COMPLIANT**
ATmosphères et EXplosibles
II 2G c T6

26



	Aluminium
	2000 mm
	Inox
	1÷8 kg

ATEX **COMPLIANT**
ATmosphères et EXplosibles
II 2G c T6



Item	9311AX	9312AX	9313AX
	0,4÷1	1÷2	2÷3
	0,57	0,60	0,74

Item	9320AX	9321AX	9322AX	9323AX
	1÷2,5	2÷4	4÷6	6÷8
	1,67	1,90	1,98	2,28

9336AX÷9340AX

9346AX÷9350AX

27



	Aluminium
	2500 mm
	Inox
	2÷14 kg

ATEX **Ex** COMPLIANT
ATmosphères et EXplosibles
II 2G c T6

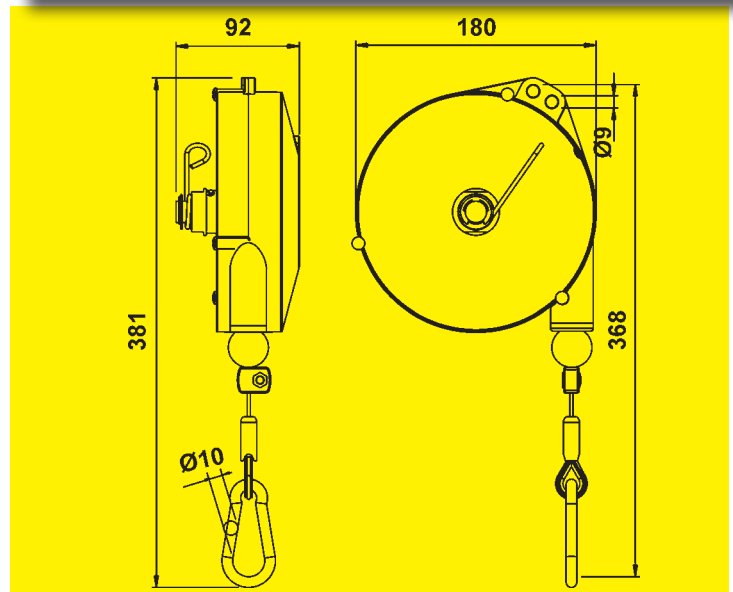
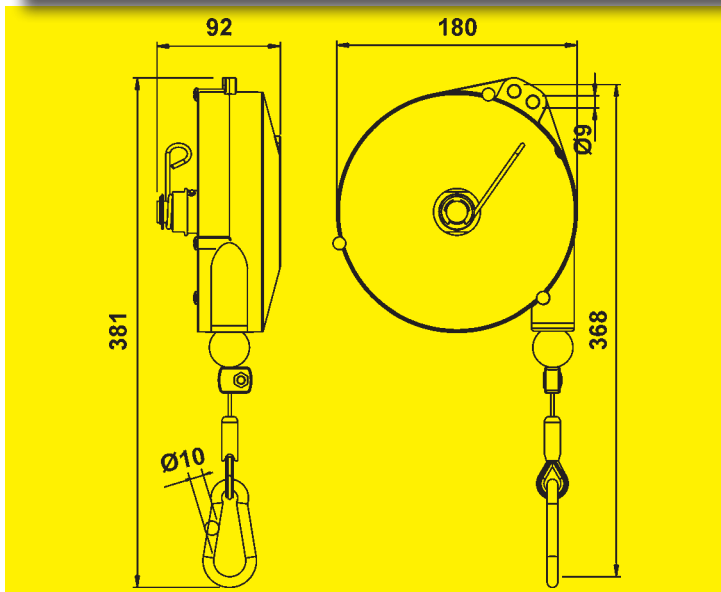
28



	Aluminium
	2500 mm
	Inox
	2÷14 kg

ATEX **Ex** COMPLIANT
ATmosphères et EXplosibles
II 2G c T6



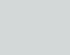

These balancers are equipped with a device enabling to stop the stroke by carrying out a simple operation on the load and with a device that disables it.



Item	9336AX	9337AX	9338AX	9339AX	9340AX
	2÷4	4÷6	6÷8	8÷10	10÷14
	3,14	3,30	3,36	3,43	3,58

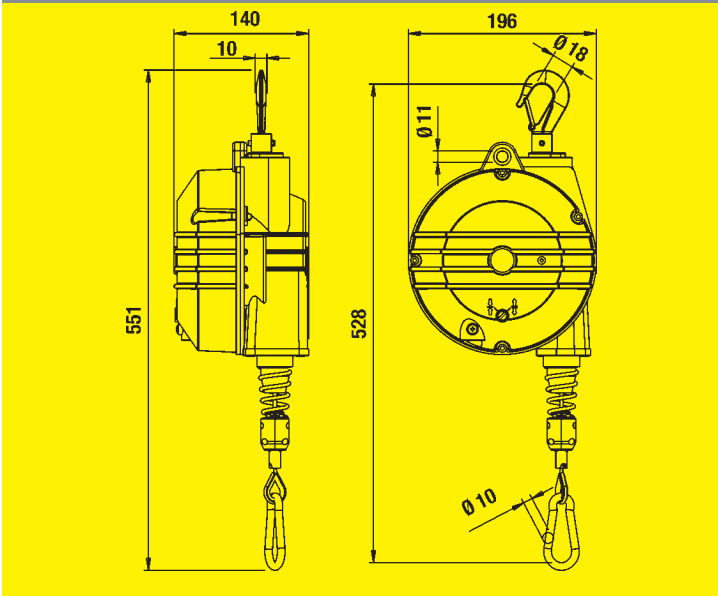
Item	9346AX	9347AX	9348AX	9349AX	9350AX
	2÷4	4÷6	6÷8	8÷10	10÷14
	3,14	3,32	3,38	3,48	3,62

29

	Aluminium
	2000 mm
	Inox
	4÷25 kg



ATEX  **COMPLIANT**
 ATmosphères et EXplosibles
 II 2G c T6
 II 2D c T 85°C

Option F



Option F Brake device





The balancer is equipped with a friction/brake which controls the rotation speed of the drum. This option is feasible when placing a new order while it is not possible to assemble this device on balancers already installed.

Item	9354AX	9355AX	9356AX	9357AX	9358AX	9359AX
	4÷7	7÷10	10÷14	14÷18	18÷22	22÷25
	4,94	5,30	5,67	6,26	5,89	6,53

9502AX ÷ 9509AX

9520AX ÷ 9525AX

30

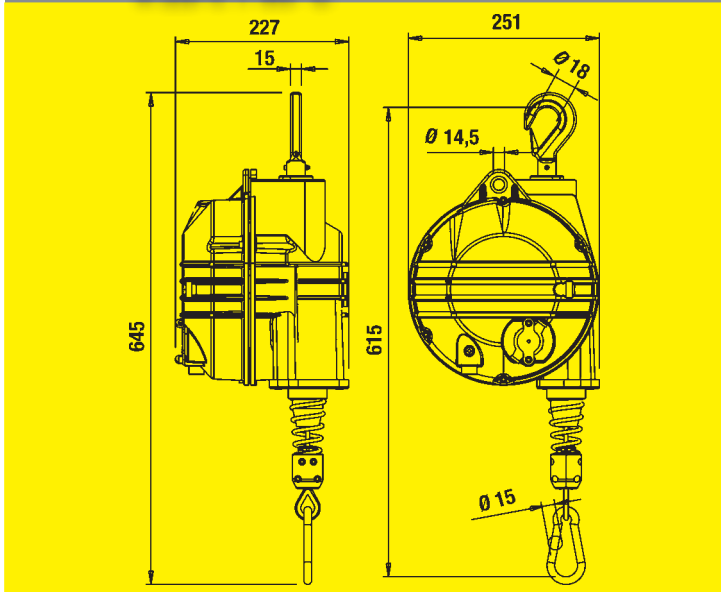
	Aluminium	
	2100 mm	9502AX ÷ 9509AX
	2700 mm	9520AX ÷ 9525AX
	Inox	
	12 ÷ 100 kg	



ATEX  COMPLIANT

ATmosphères et EXplosibles

II 2G c T6

II 2D c T 85°C



Item	9502AX	9503AX	9504AX	9505AX	9506AX	9507AX	9508AX	9509AX	9520AX	9521AX	9522AX	9523AX	9524AX	9525AX
	20÷30	30÷40	40÷50	50÷60	60÷70	70÷80	80÷90	90÷100	12÷20	20÷30	30÷40	40÷50	50÷60	60÷70
	12,60	15,20	15,50	16,70	15,50	17,70	16,20	16,80	12,80	12,60	15,80	15,40	16,60	15,70

BALANCERS TECHNICAL FEATURES

	25	26	27	28	29	30	30	
kg	0.4÷3	1÷8	2÷14	2÷14	4÷25	20÷100	12÷70	Capacity
mm	1600	2000	2500	2500	2000	2100	2700	Stroke
	●	●	●	●				Rugged construction, cast aluminium body
					●	●	●	Ribbed and sealed construction in aluminium alloy
	●	●	●	●	●	●	●	Stainless steel rope
	●	●	●	●				Adjustable capacity
					●	●	●	Adjustable capacity by means of a worm screw
	●	●	●	●	●	●	●	Safety suspension
		●	●	●	●	●	●	Safety device against load dropping due to the spring breakage (capacity >3kg)
					●	●	●	Upper rotary suspension with safety hook
				●	●	●	●	Locking device to block the load at any height
	●	●	●	●	●	●	●	Adjustable stroke limiting device
					●	●	●	Taper drum rotating on ball bearings
	●	●	●	●	●	●	●	Cable guide in antifriction material
					●	●	●	Rotary upper hook with ball bearing
	●	●	●	●	●	●	●	Inert spring drum assembly
	●	●	●	●				Polyamides thimble
	●	●	●	●	●	●	●	Operating temperature between + 5°C to + 60°C.

ON REQUEST OPTIONS F

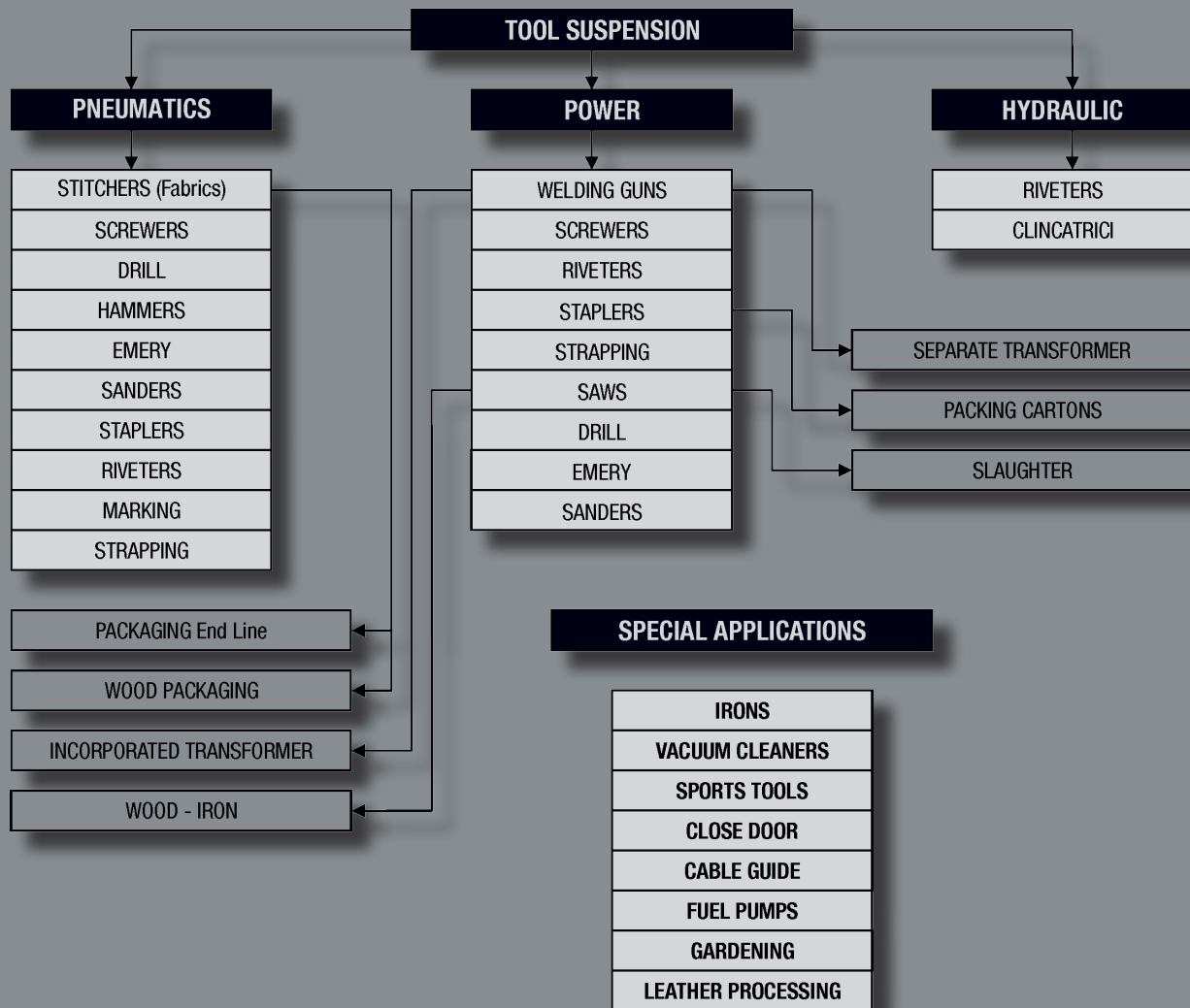
					●			F: Brake device
--	--	--	--	--	---	--	--	-----------------

PACKAGING FEATURES

ATEX  COMPLIANT
 Atmosphères et Explosibles

	9311AX	9312AX	9313AX	9320AX	9321AX	9322AX	9323AX	9336AX	9337AX	9338AX	9339AX
kg	0,70	0,70	0,80	1,80	2,1	2,1	2,5	3,40	3,60	3,70	3,70
mm	204x112x62	204x112x62	204x112x62	254x149x96	254x149x96	254x149x96	254x149x96	304x186x100	304x186x100	304x186x100	304x186x100
●	01	01	01	02	02	02	02	03	03	03	03
	9340AX	9346AX	9347AX	9348AX	9349AX	9350AX	9354AX	9355AX	9356AX	9357AX	9358AX
kg	3,80	3,40	3,60	3,70	3,80	3,90	6,00	6,40	6,80	7,40	7,00
mm	304x186x100	304x186x100	304x186x100	304x186x100	304x186x100	304x186x100	525x206x175	525x206x175	525x206x175	525x206x175	525x206x175
●	03	04	04	04	04	04	05	05	05	05	05
	9359AX	9502AX	9503AX	9504AX	9505AX	9506AX	9507AX	9508AX	9509AX	9520AX	9521AX
kg	7,60	14,40	17,00	17,30	18,50	17,30	19,50	18,00	18,60	14,60	14,40
mm	525x206x175	590x265x260	590x265x260	590x265x260	590x265x260	590x265x260	590x265x260	590x265x260	590x265x260	590x265x260	590x265x260
●	05	06	06	06	06	06	06	06	06	06	06
	9522AX	9523AX	9524AX	9525AX							
kg	17,60	17,20	18,40	17,50							
mm	590x265x260	590x265x260	590x265x260	590x265x260							
●	06	06	06	06							

APPLICATION LIST



1. POWER TOOLS
2. AIR TOOLS
3. HIGH PRESSURE FLOOR POLISHER / CLEANING EQUIPMENT
4. STAPLING MACHINES
5. GUNS / AIRBRUSHES FOR SPRAY PAINT
6. SCREW GUNS
7. CUTTING MACHINES
8. NAILING MACHINES
9. TYING TOOLS FOR CABLES
10. SOLDERING IRONS
11. MARKER MACHINES
12. RIVETERS
13. MACHINES FOR CELLARS
14. BOTTLING MACHINES
15. SHEET WELDING MACHINES
16. PUSH-BUTTON PANELS FOR CRANES
17. SUCTION SYSTEMS
18. EXHAUST GAS / COMBUSTION HOSES
19. ADJUSTABLE ARMS
20. ROBOT SUPPLY CABLES
21. X-RAY TOOLS
22. ROBOT FOR DIMENSIONAL CONTROL
23. TOOLS FOR SLAUGHTERHOUSES
24. TOOLS FOR WORKING THE ROCKS
25. CONVEYOR BELTS AND RAILS
26. POWER SUPPLY BUSBARS
27. TOOLS FOR WORKING WOOD
28. SUBMERSIBLE PUMPS AND STIRRERS
29. INDUSTRIAL SEWING MACHINES
30. TOOLS FOR PACKING
31. WELDING GUNS
32. WELDING JIGS
33. CALLIPERS FOR HOLES AND MICROMETERS
34. CABLE HOLDER IN ELECTRIC CABINS
35. MONITOR SUSPENSION
36. PIPES FOR PETROL PUMPS
37. HOSES FOR GAS PUMPS
38. FILLING MACHINES FOR THE FOOD INDUSTRY
39. SUSPENSION OF EQUIPMENT FOR LEATHER PROCESSING
40. ELECTRICAL AND PNEUMATIC STAPLERS
41. AIRBRUSHES AND GUNS FOR PAINTING
42. RIVETERS
43. STRAPPING



Balancing your creativity

TECNA® 

Advanced Resistance Welding Systems and Balancers

GPS N44° 24' 24" - E11° 35' 13"

Via Meucci, 27
40024 - Castel San Pietro Terme (BO)
Italy
Tel. +39 051 695 4411
Fax +39 051 654 4490
www.tecna.net
vendite@tecna.net
sales@tecna.net