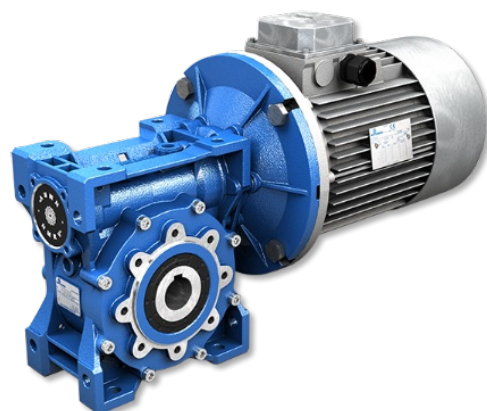


# TECHNICAL CATALOGUE



## WORM GEARED MOTORS



**MOTOVARIO**<sup>®</sup>

HEART OF MOTION

a TECO Group company



## 1. GENERAL INFORMATION

<b>1.1</b>	<b>SYMBOLS AND FORMULAS</b> .....	<b>4</b>
1.1.1	Symbols .....	4
1.1.2	Formulas .....	5
<b>1.2</b>	<b>PRODUCT SELECTION</b> .....	<b>7</b>
<b>1.3</b>	<b>SERVICE FACTOR</b> .....	<b>8</b>
<b>1.4</b>	<b>INSTALLATION</b> .....	<b>9</b>

## 2. PRODUCT INFORMATION

<b>2.1</b>	<b>DESIGN FEATURES</b> .....	<b>10</b>
<b>2.2</b>	<b>TYOLOGY</b> .....	<b>11</b>
2.2.1	Designation .....	11
2.2.2	Versions .....	16
2.2.3	Modularity .....	19
<b>2.3</b>	<b>MOUNTING POSITIONS</b> .....	<b>22</b>
2.3.1	Mounting positions .....	22
2.3.2	Position of terminal box .....	25
<b>2.4</b>	<b>EFFICIENCY</b> .....	<b>26</b>
2.4.1	Efficiency .....	26
2.4.2	Irreversibility .....	26
<b>2.5</b>	<b>MESH DATA</b> .....	<b>27</b>
<b>2.6</b>	<b>ANGULAR BACKLASH</b> .....	<b>28</b>
<b>2.7</b>	<b>DIRECTION OF ROTATION</b> .....	<b>29</b>
<b>2.8</b>	<b>CRITICAL APPLICATIONS</b> .....	<b>30</b>
2.8.1	Critical applications .....	30
2.8.2	Information .....	30
<b>2.9</b>	<b>MOTOR FLANGE AVAILABILITY</b> .....	<b>31</b>
2.9.1	NMRV - NMRV-P Motor flange availability .....	31
2.9.2	NMRV-P/HW Motor flange availability .....	32
2.9.3	SW Motor flange availability .....	33
2.9.4	Ratios NRV/NMRV/NMRV-P+NMRV/NMRV-P .....	34
2.9.5	Ratios ISW/SW+SW .....	37
<b>2.10</b>	<b>OUTPUT SHAFT BEARINGS</b> .....	<b>38</b>

<b>2.11</b>	<b>OVERHUNG LOAD</b>	<b>39</b>
2.11.1	Information	39
2.11.2	Input	39
2.11.3	Output	40
<b>2.12</b>	<b>LUBRICATION</b>	<b>41</b>
2.12.1	Information	41
2.12.2	Lubricants	41
2.12.3	Special lubricants	42
2.12.4	Quantity	43
<b>2.13</b>	<b>MOMENTS OF INERTIA</b>	<b>44</b>

### 3. DIMENSIONS

<b>3.1</b>	<b>REDUCERS/GEARED MOTORS</b>	<b>45</b>
3.1.1	NMRV 025	45
3.1.2	NMRV 030-150	46
3.1.3	SW	47
3.1.4	NRV	50
3.1.5	ISW	51
3.1.6	HA31+NMRV	54
3.1.7	HA31+SW	54
3.1.8	NMRV-P/HW	55
3.1.9	NMRV-P/IHW	56
3.1.10	NMRV+NMRV	57
3.1.11	SW+SW	57
3.1.12	NRV+NMRV	58
3.1.13	ISW+SW	58
<b>3.2</b>	<b>ELECTRIC MOTORS</b>	<b>59</b>
3.2.1	Electric motors	59
3.2.2	Nominal power - [HP]	61
<b>3.3</b>	<b>WEIGHT</b>	<b>62</b>
3.3.1	Weight NMRV [lb]	62
3.3.2	Weight SW [lb]	62

### 4. ACCESSORIES AND OPTIONS

<b>4.1</b>	<b>LOW SPEED SHAFTS</b>	<b>63</b>
------------	-------------------------	-----------

<b>4.2</b>	<b>OUTPUT FLANGE</b> .....	<b>64</b>
<b>4.3</b>	<b>SHAFT MOUNTING FASTENING</b> .....	<b>65</b>
4.3.1	Torque arm: Mounting position .....	65
4.3.2	Torque arm: Dimensions .....	67
<b>4.4</b>	<b>OUTPUT SHAFT COVER</b> .....	<b>68</b>
<b>4.5</b>	<b>TORQUE LIMITER</b> .....	<b>69</b>
4.5.1	Dimensions .....	69
4.5.2	Operating principle .....	70
4.5.3	Description .....	71
4.5.4	Slip torque setting .....	71
4.5.5	Adjustment graphs .....	72

## 5. NMRV - PERFORMANCES

<b>5.1</b>	<b>WORM GEARMOTOR</b> .....	<b>73</b>
<b>5.2</b>	<b>WORM GEAR REDUCER - 875 rpm</b> .....	<b>91</b>
<b>5.3</b>	<b>WORM GEAR REDUCER - 1140 rpm</b> .....	<b>94</b>
<b>5.4</b>	<b>WORM GEAR REDUCER - 1750 rpm</b> .....	<b>97</b>
<b>5.5</b>	<b>WORM GEAR REDUCER - 3500 rpm</b> .....	<b>100</b>
<b>5.6</b>	<b>HELICAL WORM GEARMOTOR</b> .....	<b>103</b>
<b>5.7</b>	<b>HELICAL WORM GEAR REDUCER MOTOR - 1140 rpm</b> .....	<b>175</b>
<b>5.8</b>	<b>HELICAL WORM GEAR REDUCER MOTOR - 1750 rpm</b> .....	<b>179</b>
<b>5.9</b>	<b>DOUBLE WORM GEARMOTOR</b> .....	<b>183</b>
<b>5.10</b>	<b>DOUBLE WORM GEAR REDUCER - 875 rpm</b> .....	<b>205</b>
<b>5.11</b>	<b>DOUBLE WORM GEAR REDUCER - 1140 rpm</b> .....	<b>211</b>
<b>5.12</b>	<b>DOUBLE WORM GEAR REDUCER - 1750 rpm</b> .....	<b>217</b>
<b>5.13</b>	<b>DOUBLE WORM GEAR REDUCER - 3500 rpm</b> .....	<b>223</b>

## 6. SALES CONDITIONS

<b>6.1</b>	<b>SALES CONDITIONS</b> .....	<b>229</b>
------------	-------------------------------	------------

## 1.1.1 Symbols

Physical dimension	Symbol	Symbol units of measure	Input	Output
Power	P	[HP]	$P_1$	$P_2$
Requested power	$P_r$	[HP]	$P_{r1}$	$P_{r2}$
Nominal power	$P_n$	[HP]	$P_{n1}$	$P_{n2}$
Torque	M	[in-lb]	$M_1$	$M_2$
Nominal torque	$M_n$	[in-lb]		$M_{n2}$
Requested torque	$M_r$	[in-lb]	$M_{r1}$	$M_{r2}$
Speed	n	[rpm]	$n_1$	$n_2$
Load	F	[lb]		
Radial load	$F_r$	[lb]	$F_{r1}$	$F_{r2}$
Radial axial	$F_a$	[lb]	$F_{a1}$	$F_{a2}$
Reduction ratio	i			
Dynamic efficiency	$\eta_d$			
Speed	ips	[inch/second]		
Service factor	f.s.			
Static	s			
Dynamic	d			
Calculated	c			
Maximum	max			
Minimum	min			
Moment of inertia	J	[lb*in <sup>2</sup> ]	$J_1$	
Ambient temperature	$T_{amb}$	[°F]		
Dimensions		[inch]		
Number of screw threads	Z1			
Lead angle	$\gamma$	[° ' '']		
Axial module	$M_x$			
Dynamic efficiency of $n_1=1400$ rpm	$\eta_{\delta}(1400)$			
Static efficiency	$\eta_s$			

1.1.2 Formulas

REDUCER		
Starting or stopping time	$t = v / a$	[s]
Velocity in rotary motion	$v = \pi * d * n / 60$ $v = \omega * r$	[m/s]
Speed velocity Angular velocity	$n = 60 * v / (\pi * d)$ $\omega = v / r$	[rpm] [rad/s]
Acceleration or deceleration according to a starting / stopping time	$a = v / t$	[m/s <sup>2</sup> ]
Angular acceleration	$\alpha = n / (9,55 * t)$ $\alpha = \omega / t$	[rad/s <sup>2</sup> ]
Starting or stopping distance (according to acceleration / deceleration or angular velocity)	$s = a * t^2 / 2$ $s = v * t / 2$	[m]
Horizontal translation force	$F = \mu * m * g$	[N]
Vertical translation force (lifting)	$F = m * g$	
Inclined plane translation force	$F = m * g (\mu * \cos\beta + \sin\beta)$	
m= mass [kg]; g= gravity acceleration [m/s <sup>2</sup> ]; μ= friction coefficient; β= angle of inclination		
Moment of inertia	$J = m * v^2 / \omega^2$	[kgm <sup>2</sup> ]
Torque	$M = F * d / 2$ $M = J * \omega / t$	[Nm]

MOTOR and GEARMOTOR		
Starting time	$t_a = (J_{ext} + J_m) * n_n / 9,55 + (M_{peak} - M_r)$	[s]
Braking time	$t_s = (J_{ext} + J_m) * n_n / 9,55 + (M_{peak} + M_r)$	[s]
Motor rotation angle during starting	$\varphi = n_n * t_a / 19,1$	[rad]
Motor rotation angle during braking	$\varphi = n_n * t_s / 19,1$	[rad]
Power available at the shaft of single phase motor	$P = V * I * \eta * \cos\omega$	[W]
Power available at the shaft of three phase motor	$P = 1,73 * V * I * \eta * \cos\omega$	[W]

RUNNING at 60Hz		
Speed velocity at 60Hz	$n_{60Hz} = 1,2 * n_{50Hz}$	[rpm]
Power at 60Hz	$P_{1\ 60Hz} = P_{1\ 50Hz} * V_{60Hz} / V_{50Hz}$	[kW]
If input voltage at 60 Hz (V <sub>60Hz</sub> ) corresponds to winding voltage at 50 Hz (V <sub>50Hz</sub> ), power doesn't change $P_{1\ 60Hz} = P_{1\ 50Hz}$		
If input voltage at 60 Hz (V <sub>60Hz</sub> ) is 20% higher than winding voltage at 50 Hz (V <sub>50Hz</sub> ), power increases by 20% $P_{1\ 60Hz} = 1,2 P_{1\ 50Hz}$		
Torque at 60Hz	$M_{60Hz} = M_{50Hz} * P_{1\ 60Hz} / (1,2 * P_{1\ 50Hz})$	[Nm]
Service factor at 60Hz	$f.s_{60Hz} = f.s_{50Hz} * 1,175 * P_{1\ 50Hz} / P_{1\ 60Hz}$	-

UNIT CONVERSION TABLE				
Description	Imperial units	International System of Units (SI)	Technical System (metric)	
Lenght, Distance	1 inch 1 foot	[in] = 0.0254 [ft] = 0.3048	meter	[m]
Mass	1 pound 1 ounce	[lb] = 0.4536 [oz] = 0.0283	kilogram	[kg]
Volume	US liquid gallon	[gal] = 3.7854	liter	[l]
Temperature	Fahrenheit degree	[°F] = 1.8 * °C + 32	Celsius degree	[°C]
Force	1 pound-force	[lb <sub>(f)</sub> ] = 4.4482	newton	[N]
		[lb <sub>(f)</sub> ] = 0.4536	kilogram force	[kg <sub>(f)</sub> ]
Power	1 horse power	[hp] = 0.7457	kilowatt	[kW]
Torque, Work	1 pound-force inch	[lb <sub>(f)</sub> in] = 0.1130	newton meter, joule kilogram-force meter	[N m], [J] [kg <sub>(f)</sub> m]
	1 pound-force foot	[lb <sub>(f)</sub> ft] = 1.3560 [lb <sub>(f)</sub> ft] = 0.1383		
Pressure	1 pound-force per square inch (psi)	[lb <sub>(f)</sub> /in <sup>2</sup> ] = 0.0689	bar	[bar]
Moment of inertia	1 WK <sup>2</sup>	[lb <sub>(f)</sub> ft <sup>2</sup> ] = 0.0421	kilogram square-meter	[kg m <sup>2</sup> ]



For correctly selecting a gear reducer or geared motor, several essential pieces of data are required:

1. The rotational input speed to the gear reducer ( $n_1$ ) and the rotational output speed ( $n_2$ ). Through these two values it is possible to calculate the reduction ratio ( $i$ ) of the gear reducer using the following formula:  $i = n_1/n_2$
2. The torque required by the application ( $M_{r2}$ ).

The geared motor or gear reducer can be selected once this data is known.

This guide helps you to select the right product in just a few steps:

#### Geared motor selection

1. Determine the application's actual service factor (**s.f.**). This parameter depends on the type of load of the powered machine, the number of starts per hour and the hours of operation (refer to the "Service factor" paragraph).
2. Calculate the input power  $P_{r1}$  using the required torque value  $M_{r2}$ , the speed  $n_2$  and dynamic efficiency value.  $P_{r1} = (M_{r2} * n_2) / (\mu_d * 63.025)$ . The dynamic efficiency value depends on the type of gear reducer and on the number of gear reduction stages. (To calculate the efficiency value see its page).
3. Consult the geared motor performance tables and identify a normalised power value  $P_{n1}$  exceeding the required power  $P_{r1}$ , such that:  $P_{n1} \geq P_{r1}$
4. Once the suitable nominal power has been identified, select the geared motor capable of generating the rotational speed closest to the desired  $n_2$  value and with service factor s.f. greater or equal to that required by the application.

In the geared motor selection tables the combinations include 2-pole, 4-pole and 6-pole motors powered at 50Hz.

#### Gear reducer selection

1. Determine the application's service factor (**s.f.**) (consult to the "Service factor" paragraph on its page).
2. Calculate the reduction ratio  $i$  from the requested output speed  $n_2$  and from the input speed  $n_1$ .  $i = n_1/n_2$
3. Calculate the torque  $M_{c2}$  for selecting the gear reducer through the torque required by the application  $M_{r2}$  and the service factor s.f.:  $M_{c2} = M_{r2} * (s.f.)$
4. Consult the Gear Reducer Performance tables looking for the reducer that, with the reduction ratio closer to the calculated one, has a nominal torque  $M_{n2}$  so that:  $M_{n2} \geq M_{c2}$

#### Checks

Once the gear reducer or geared motor has been selected, the following checks should be performed:

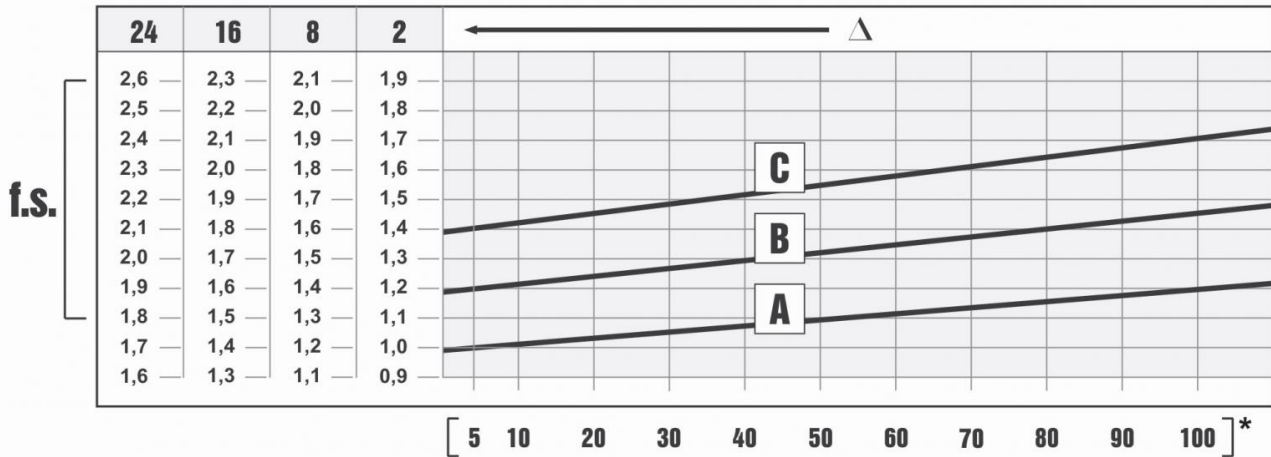
##### A. Maximum torque

Generally, the maximum torque (peak instantaneous load) that can be applied to the gear reducer must not exceed 200% of the nominal torque  $M_{n2}$  (ATEX -  $M_{2max}$ ).

##### B. Radial loads

1. Verify that the radial loads acting on the input and/or output shafts are within with the values indicated in the catalogue. If they exceed these values, increase the size of the gear reducer or modify the external load capacity. During the checking phase, it is important to remember that the values indicated in the catalogue refer to loads acting on the mid-point of the shaft protrusion, therefore, if the load is applied to a different position, appropriate formulas must be used to calculate the admissible load in the desired position (refer to the "Radial loads" paragraph).
2. If accessory output shafts are present, make sure that the applied load is compatible with shaft size. If help is needed: contact MOTOVARIO TECHNICAL SERVICE.

- C. If an electric motor is going to be fitted to the selected gear reducer, check for its applicability by referring to the configuration table (see paragraph "Configurations"). From IEC 180 motors, verify if necessary to support the motor with feet. In case of need please contact MOTOVARIO TECHNICAL SERVICE.



The service factor (f.s.) depends on the operating conditions the gear reducer is subjected to. The parameters that need to be taken into consideration to select the most adequate service factor correctly comprise:

- type of load of the operated machine : A - B - C
- length of daily operating time: hours/day ( $\Delta$ )
- start-up frequency: starts/hour (\*)

**LOAD:**

- **A** - uniform =  $f_a \leq 0,3$
- **B** - moderate shocks =  $f_a \leq 3$
- **C** - heavy shocks =  $f_a \leq 10$

**fa = Je/Jm**

- Je [in-lb<sup>2</sup>] moment of reduced external inertia at the drive-shaft
- Jm [in-lb<sup>2</sup>] moment of inertia of motor

If  $f_a > 10$  call our Technical Service.

- Screw feeders for light materials, fans, assembly lines, conveyor belts for light materials, small mixers, lifts, cleaning machines, fillers, control machines.
- Winding devices, woodworking machine feeders, goods lifts, balancers, threading machines, medium mixers, conveyor belts for heavy materials, winches, sliding doors, fertilizer scrapers, packing machines, concrete mixers, crane mechanisms, milling cutters, folding machines, gear pumps.
- Mixers for heavy materials, shears, presses, centrifuges, rotating supports, winches and lifts for heavy materials, grinding lathes, stone mills, bucket elevators, drilling machines, hammer mills, cam presses, folding machines, turntables, tumbling barrels, vibrators, shredders.

**To install the gear reducer it is necessary to note the following recommendations:**

- Check the correct direction of rotation of the gear reducer output shaft before fitting the unit to the machine.
- In the case of particularly lengthy periods of storage (4/6 months), if the oil seal is not immersed in the lubricant inside the unit, it is recommended to change it since the rubber could stick to the shaft or may even have lost the elasticity it needs to function properly.
- Whenever possible, protect the gear reducer against solar radiation and bad weather.
- Ensure the motor cools correctly by ensuring good passage of air from the fan side.
- In the case of ambient temperatures < 23°F or > 104°F call the Technical Service.
- The various parts (pulleys, gear wheels, couplings, shafts, etc.) must be mounted on the shafts using special threaded holes or other systems that anyhow ensure correct operation without risking damage to the bearings or external parts of the units. Lubricate the surfaces in contact to avoid seizure or oxidation.
- Painting must definitely not go over rubber parts and the holes on the breather plugs, if any.
- For units equipped with oil plugs, replace the closed plug used for shipping with the special breather plug.
- Check the correct level of the lubricant through the indicator, if there is one.
- Starting must take place gradually, without immediately applying the maximum load.
- When there are parts, objects or materials under the motor drive that can be damaged by even limited spillage of oil, special protection should be fitted.

Please note: in the event of a cover with adhesive label having to be replaced, you will have to stick a new label onto the new cover. Please contact Motovario and we can supply you with one.

Motovario products are supplied with the following surface treatment features:

**Die-cast aluminium alloy cases for gears (sizes 025-110)**

Die-cast materials undergo the following surface cleaning operations:

- De-burring by means of a mechanically operated shearing system.
- Accurate shot-peening.
- Painting.
- Washing and passivation.

**Grey-coloured cast-iron cases for gears (sizes 130-150)**

- Die-cast materials are always painted.

**Painting specifications:**

- Orange-peel blue epoxy-polyester RAL 5010. Polyester resin based heat-hardening powders, altered with epoxy resins.

**Mechanical properties**

- Tests carried out onto degreased Unichim white lattens film thickness: 2.5 mils comply with the following specifications: adherence (ISO2409).

**Heat resistance**

- 24 HOURS AT 302°F.

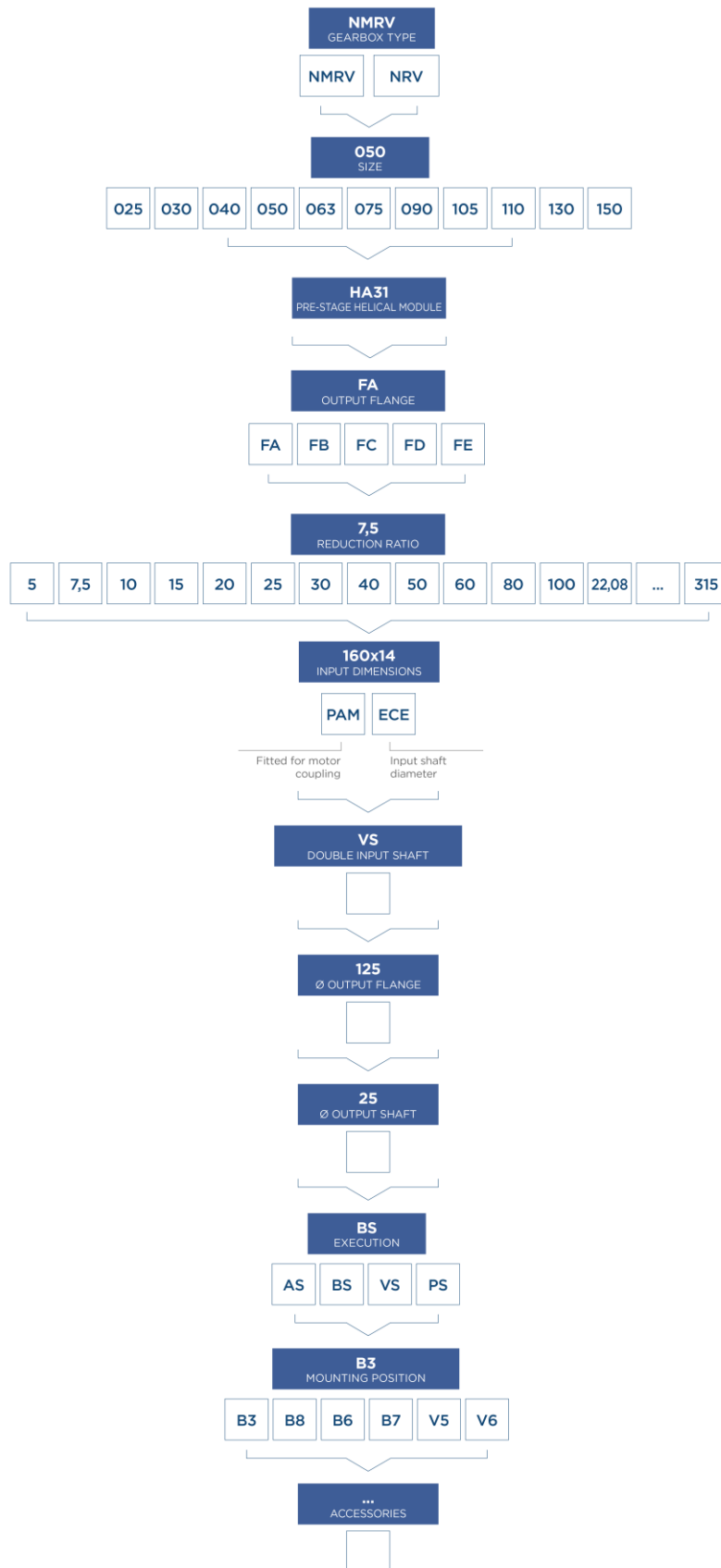
**Corrosion strength**

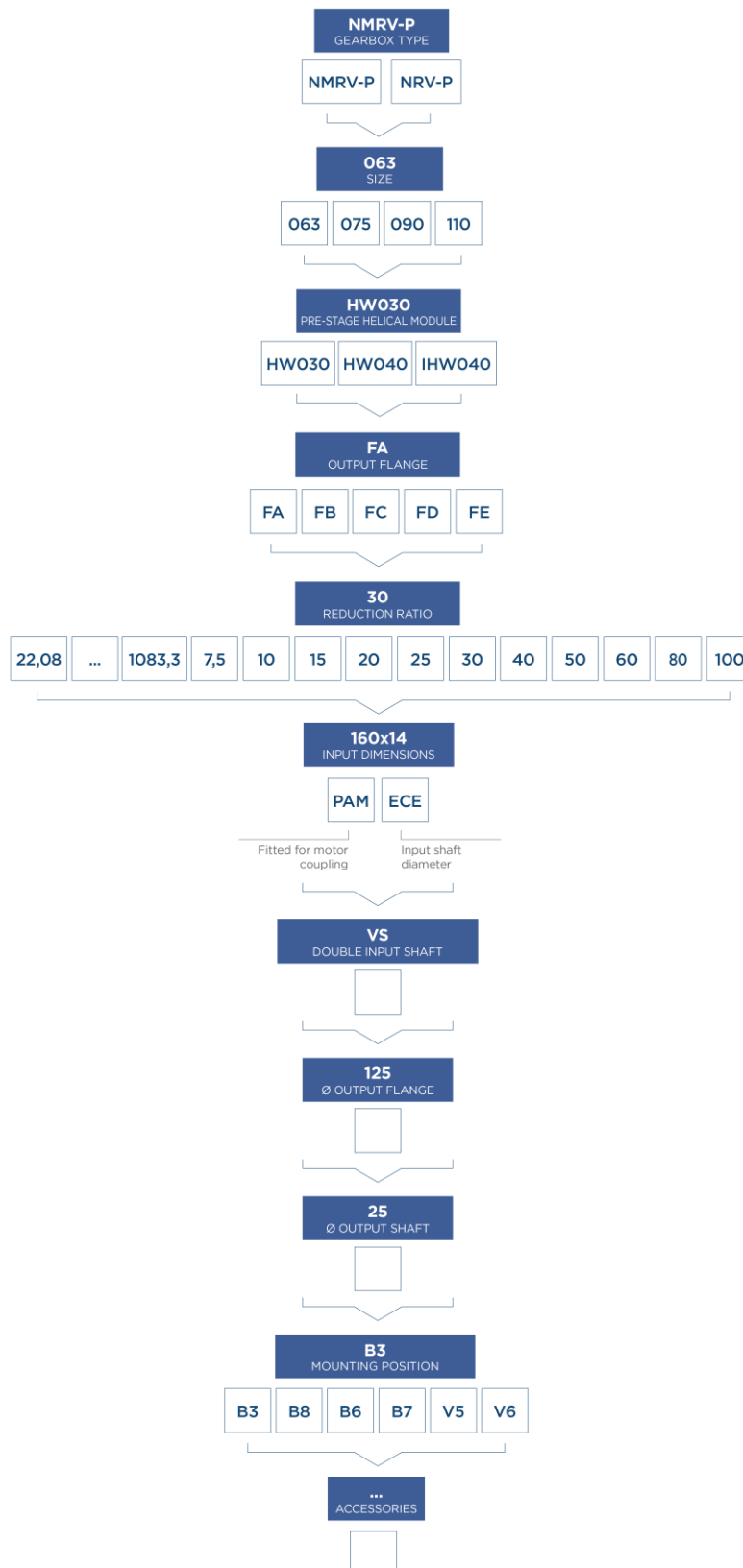
- ASTM B 117/97 salt fog from 100 to 500 hours depending on the support's preliminary treatment.

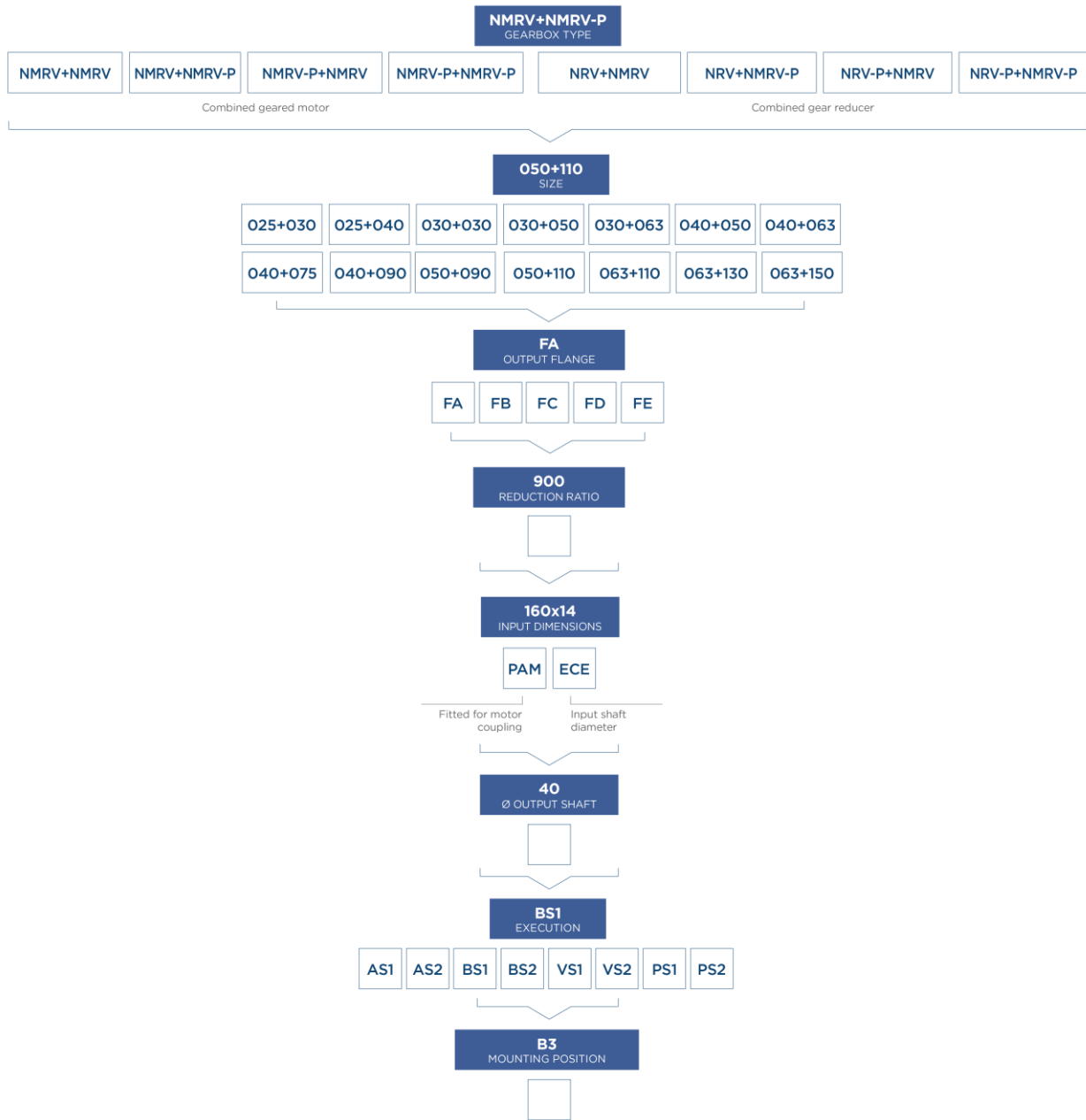
**Performance:**

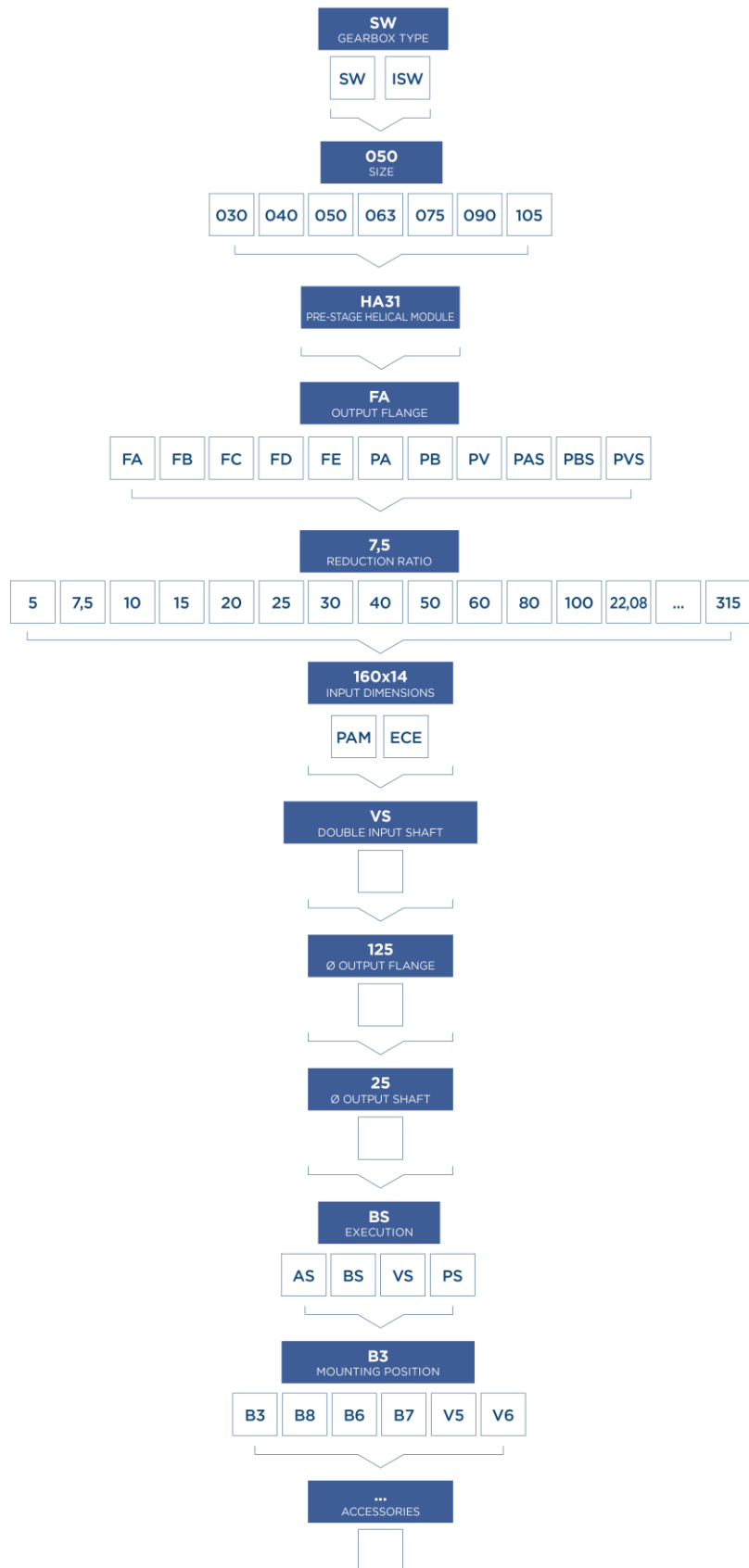
- Loading capacity in accordance with: ISO 14521, DIN 3996, BS 721, AGMA 6034, ISO 6336, DIN 3990, DIN 743, ISO 281.

2.2.1 Designation

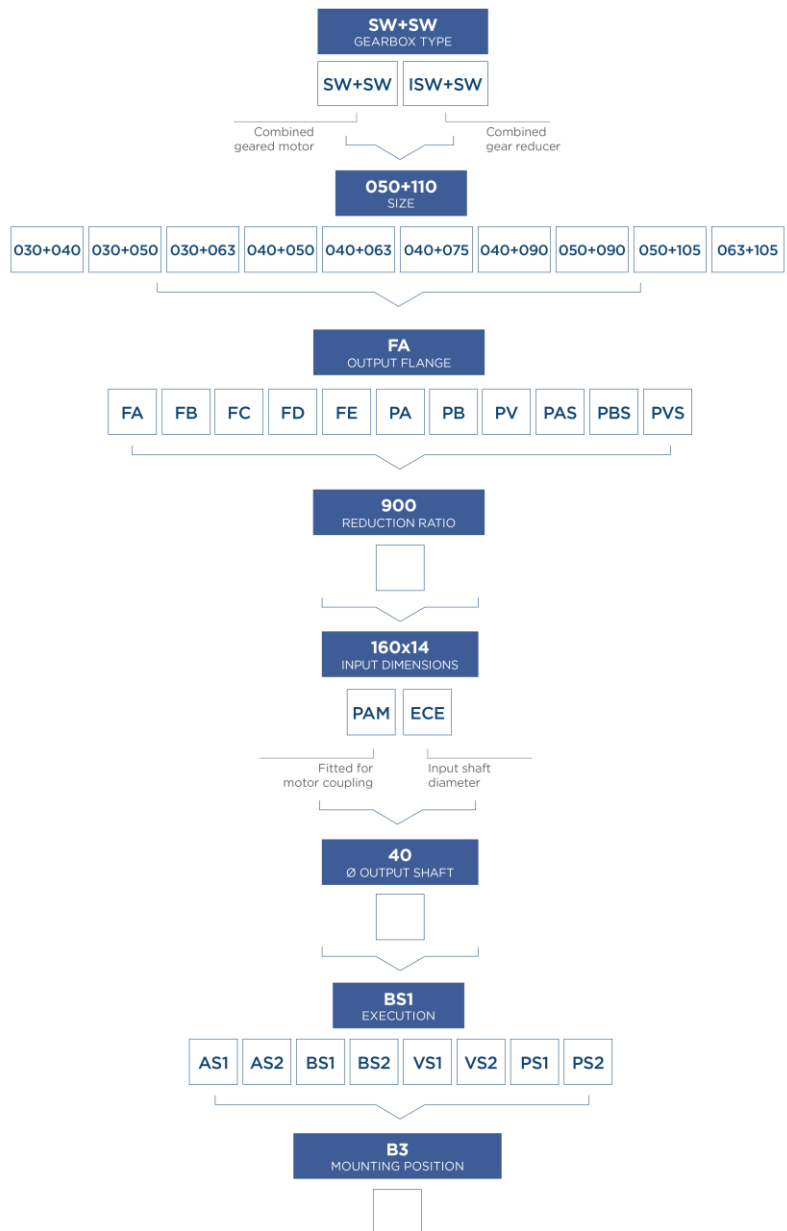








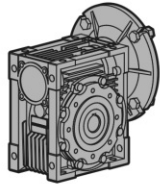




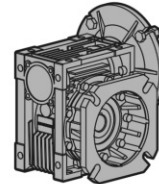
2.2.2 Versions

**NMRV**

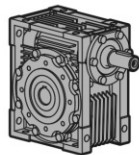
**NMRV 025-050 / NMRV 130-150**



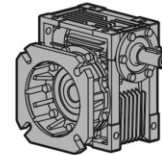
**NMRV 025-050 F / NMRV 130-150 F**



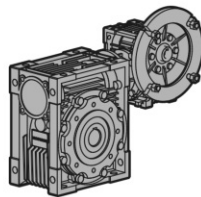
**NRV 030-050 / NRV 130-150**



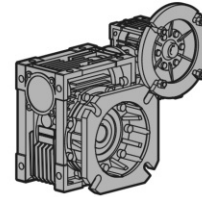
**NRV 030-050 F / NRV 130-150 F**



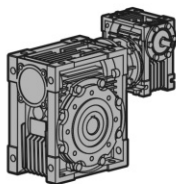
**NMRV-NMRV...**



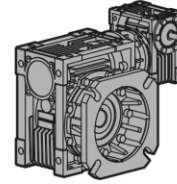
**NRV-NMRV... F**



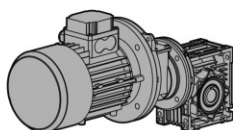
**NRV-NMRV...**



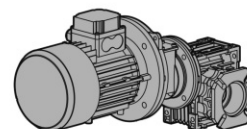
**NRV-NMRV... F**



**HA31+NMRV...**

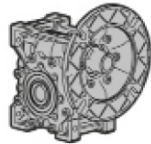


**HA31+NMRV... F**

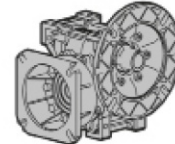


**NMRVpower**

**NMRVpower 063-110**



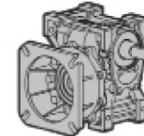
**NMRVpower 063-110 F**



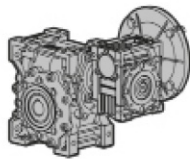
**NRVpower 063-110**



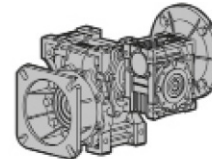
**NRVpower 063-110 F**



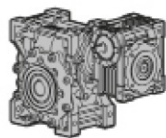
**NMRV-NMRVpower...  
NMRVpower-NMRV...  
NMRVpower-NMRVpower...**



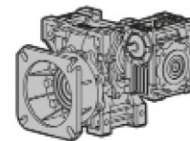
**NMRV-NMRVpower... F  
NMRVpower-NMRV... F  
NMRVpower-NMRVpower... F**



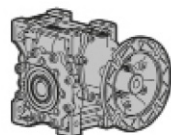
**NRV-NMRVpower...  
NRVpower-NMRV...  
NRVpower-NRVpower...**



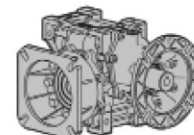
**NRV-NMRVpower... F  
NRVpower-NRV... F  
NRVpower-NRVpower...F**



**NMRVpower/HW...**

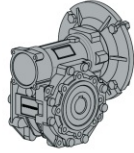


**NMRVpower/HW... F**

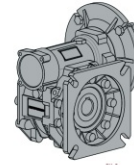


**SW**

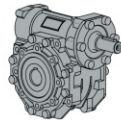
**SW 030-105**



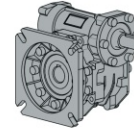
**SW 030-105 F**



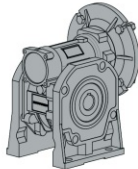
**ISW 030-105**



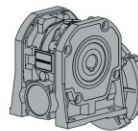
**ISW 030-105 F**



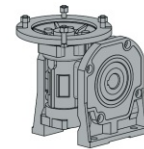
**SW 030-105 PA/PAS**



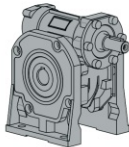
**SW 030-105 PB/PBS**



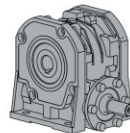
**SW 030-105 PV/PVS**



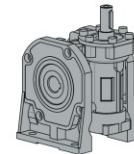
**ISW 030-105 PA/PAS**



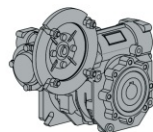
**ISW 030-105 PB/PBS**



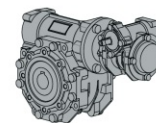
**ISW 030-105 PV/PVS**



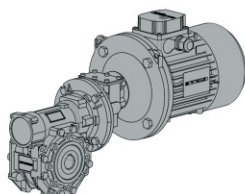
**SW-SW  
SW-SW...F  
SW-SW...PA/PAS**



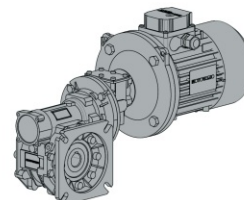
**ISW-SW  
ISW-SW...F  
ISW-SW...PA/PAS**



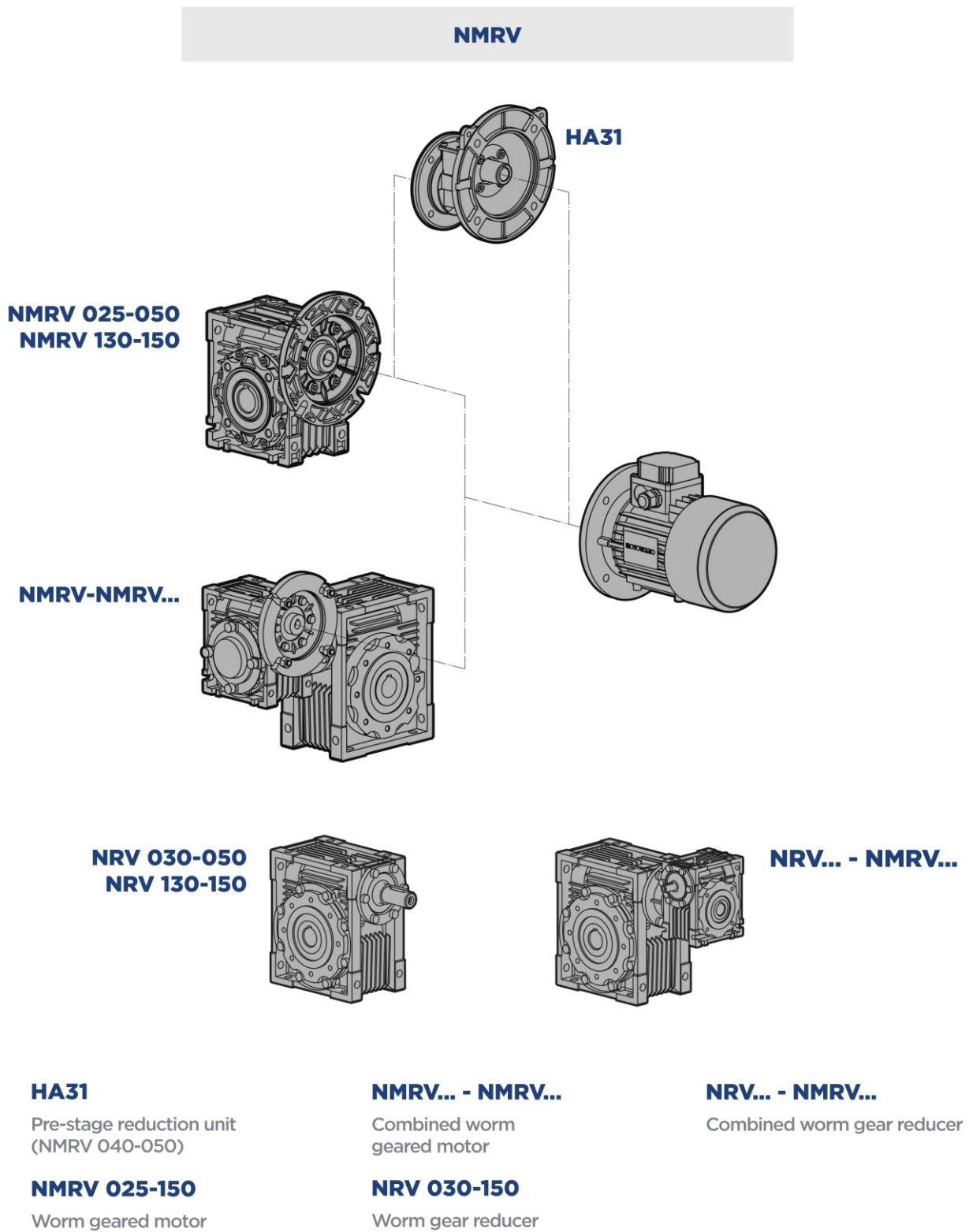
**HA31-SW | HA31-SW..PA/PAS**



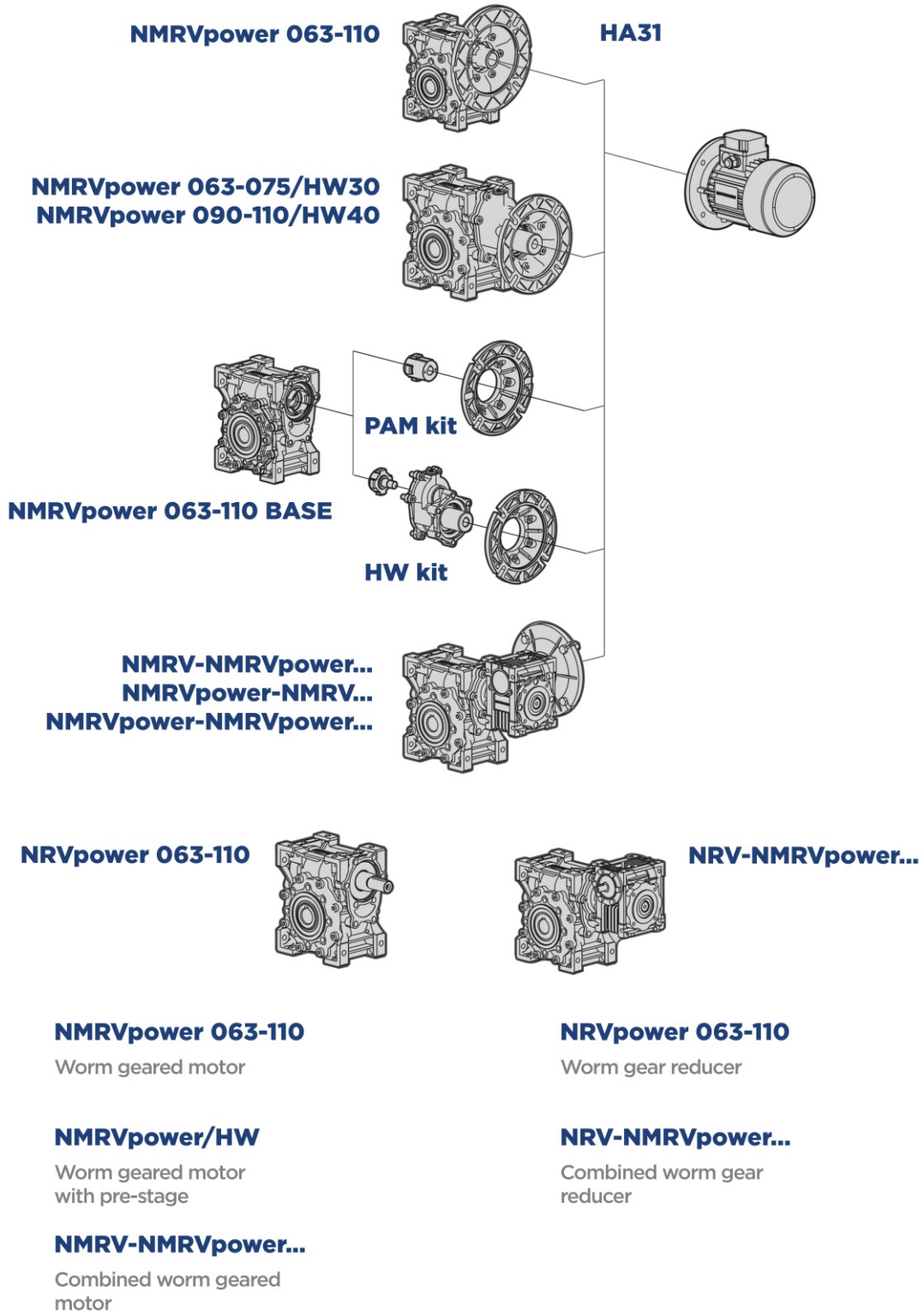
**HA31-SW...F**



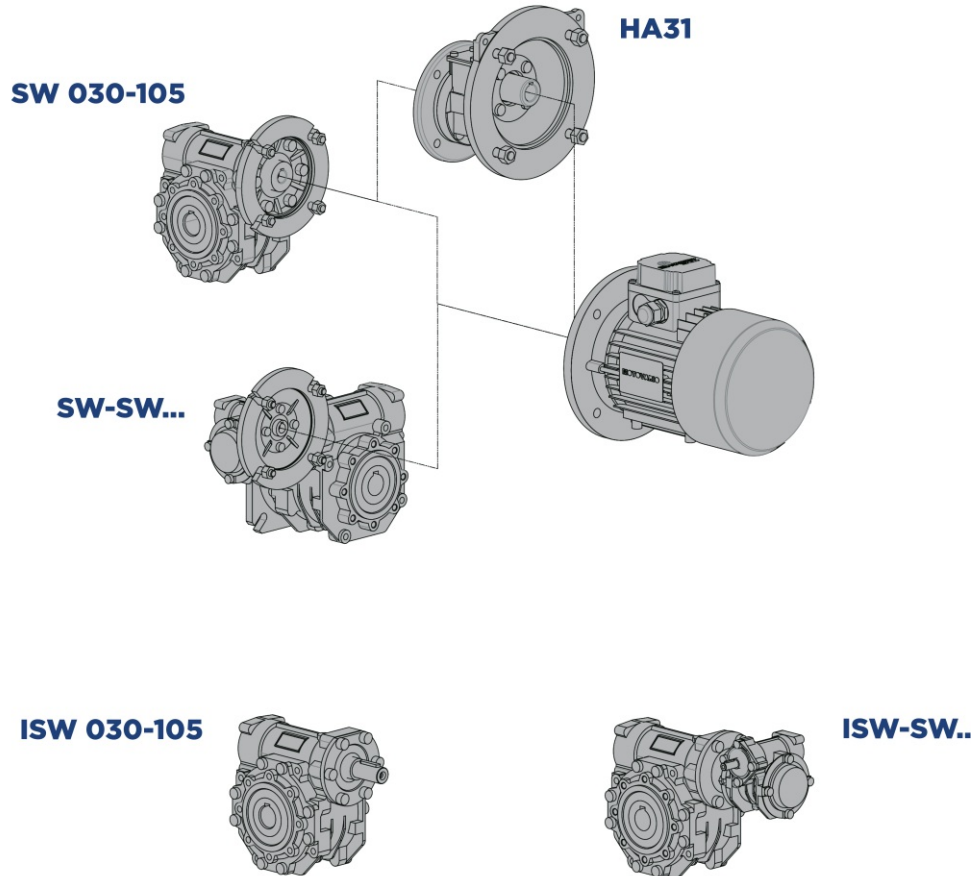
2.2.3 Modularity



**NMRVpower**



**SW**



**SW 030-105**

Worm geared motor

**SW-SW...**

Combined worm geared motor

**HA31**

Pre-stage reduction unit

**ISW 030-105**

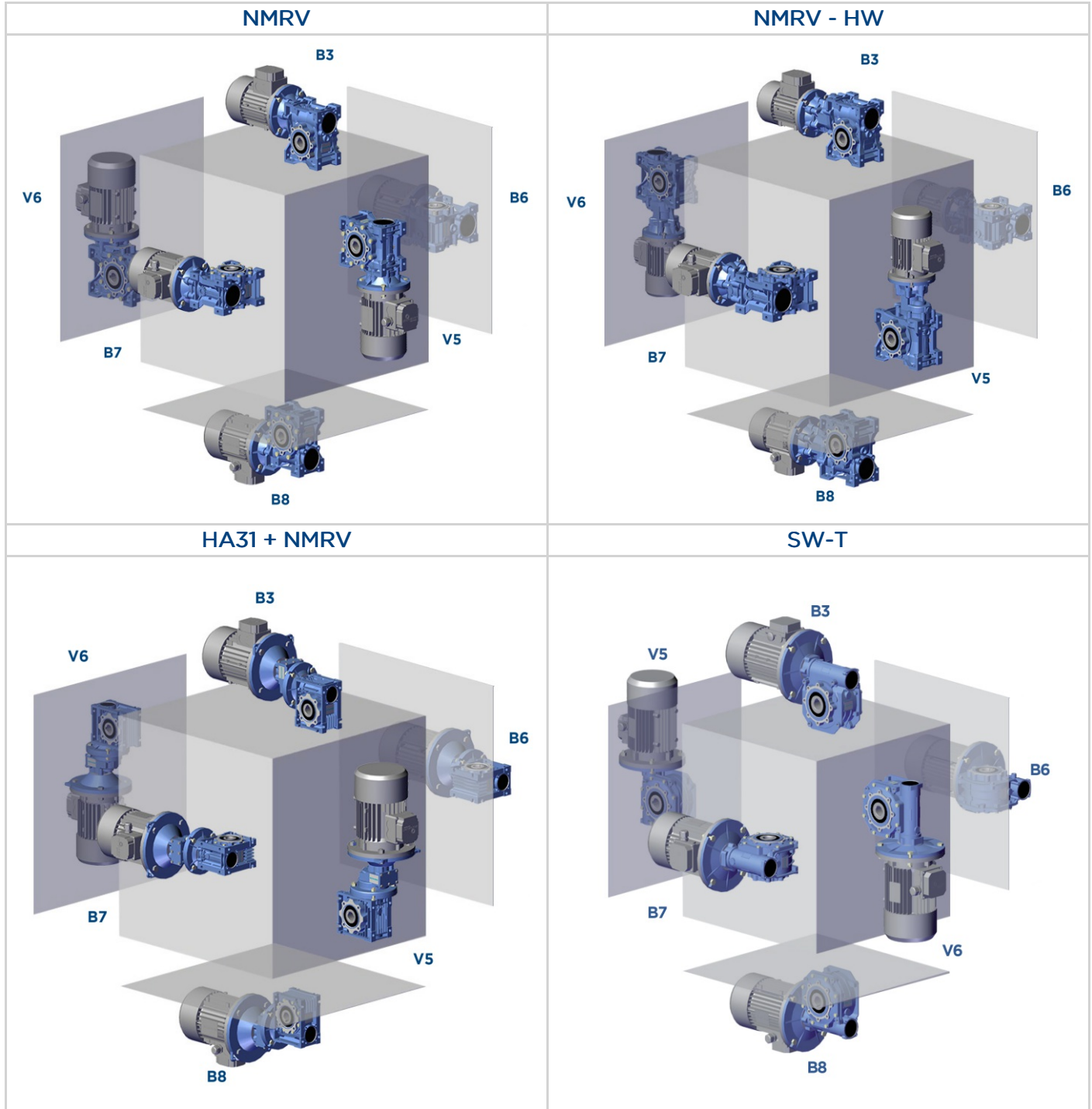
Worm gear reducer

**ISW-SW...**

Combined worm gear reducer

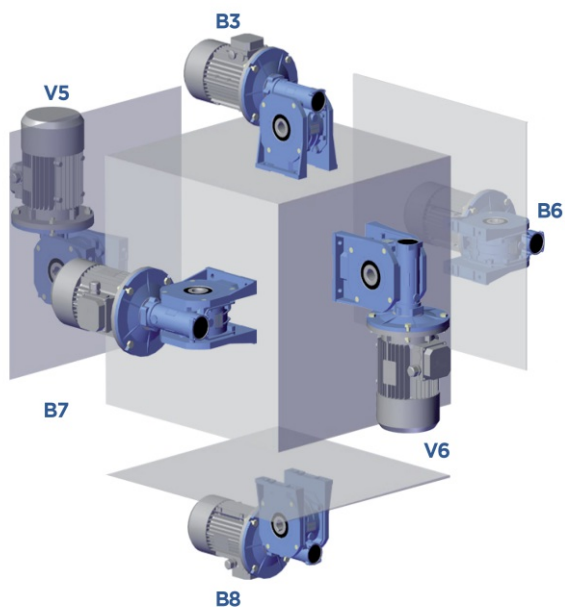
2.3.1 Mounting positions

The mounting position of the gear unit identifies its space orientation. B3 mounting position, as from a technical point of view, ensures lower oil splash, better lubrication and less heating.

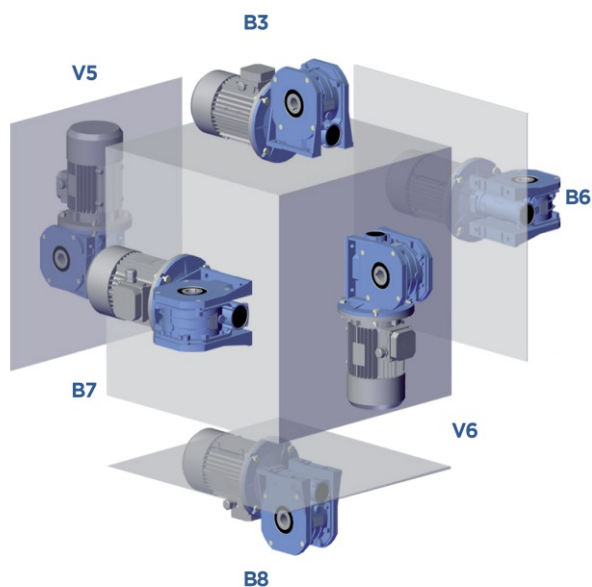




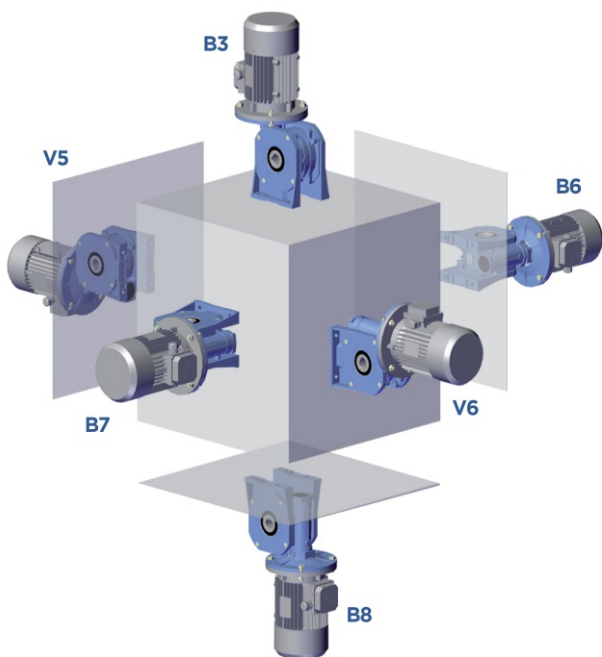
SW-PA/PAS



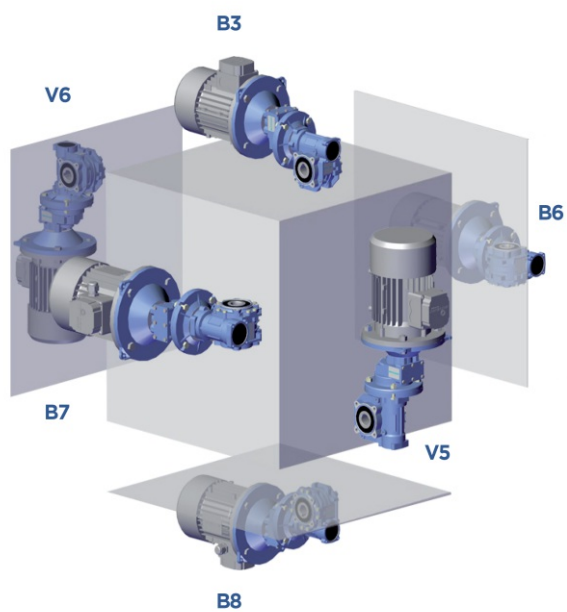
SW-PB/PBS



SW-PV/PVS

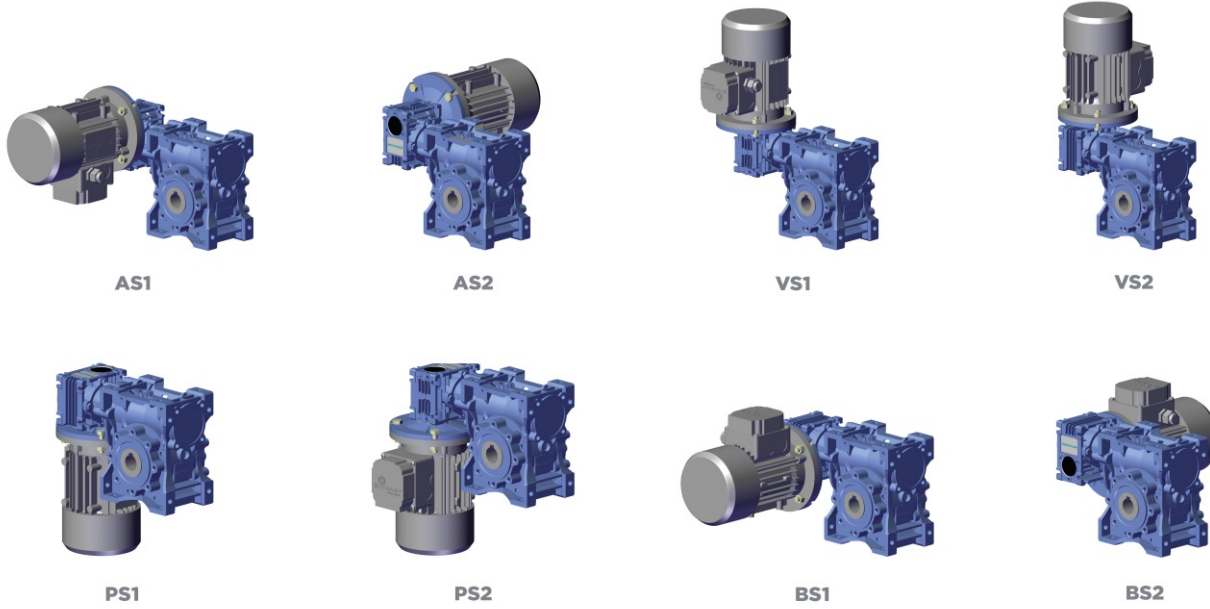


HA31 + SW



Execution

**NMRV/NMRV-P+NMRV/NMRV-P - NRV/NRV-P+NMRV/NMRV-P**

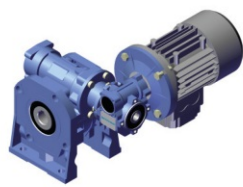


**HA31+NMRV**



Execution

SW+SW - ISW+SW



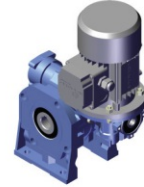
AS1



AS2



VS1



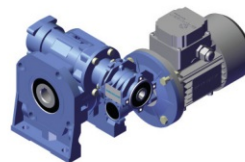
VS2



PS1



PS2



BS1



BS2

HA31+SW



BS



AS



VS

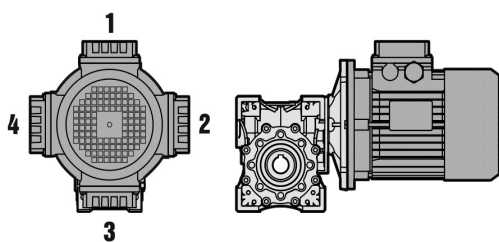


PS

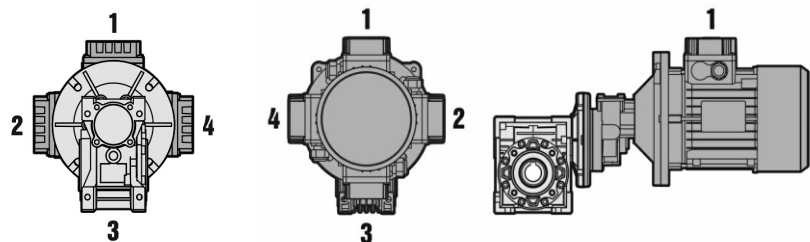
2.3.2 Position of terminal box

In the case of specific requirements, when ordering, specify the position of the terminal box as shown in the diagram. Terminal box position always refers to HA31 position.

NMRV - NMRV-P - SW



HA31+NMRV/SW



### 2.4.1 Efficiency

Efficiency is a parameter which has a major influence on the sizing of certain applications, and basically depends on gear pair design elements. The mesh data table shows dynamic efficiency ( $\eta_d=1750$ ) and static efficiency values. These values are only valid after the unit has been run in, is being used at ambient temperatures of 77°F, where service factor is 1 and with standard lubricant.

#### Dynamic irreversibility

Dynamic irreversibility is achieved when the output shaft stops instantly when drive is no longer transmitted through the worm shaft. This condition requires a dynamic efficiency of  $\eta_d < 0.5$ .

#### Static irreversibility

Static irreversibility is achieved when, with the gear reducer at a standstill, the application of a load to the output shaft does not set in motion the worm shaft. This condition requires a static efficiency of  $\eta_s < 0.5$ .

**N.B.: Vibrations and shocks can affect a gear reducer's irreversibility.**

### 2.4.2 Irreversibility

$\eta_d$	DYNAMIC IRREVERSIBILITY
>0.6	dynamic reversibility
0.5÷0.6	low dynamic reversibility
0.4÷0.5	good dynamic irreversibility
<0.4	dynamic irreversibility

$\eta_s$	STATIC IRREVERSIBILITY
>0.55	static reversibility
0.5÷0.55	low static reversibility
<0.5	static irreversibility

The table shows approximate irreversibility classes.

The irreversibility condition of combined gear reducers is given by the units with the lowest efficiency.

	i	5	7,5	10	15	20	25	30	40	50	60	80	100
<b>025</b>	Z1	6	4	3	2	2	-	1	1	1	1	-	-
	Υ	35°02'	25°03'	19°19'	13°09'	10°41'		6°40'	5°23'	4°31'	3°53'		
	Mx	1,3	1,3	1,3	1,3	0,995		1,3	0,995	0,8	0,67		
	ηδ(1400)	0,87	0,85	0,83	0,79	0,75		0,67	0,62	0,58	0,55		
	ηs	0,72	0,71	0,68	0,61	0,56		0,46	0,41	0,36	0,34		
<b>030</b>	Z1	6	4	3	2	2	1	1	1	1	1	1	-
	Υ	27°04'	18°49'	14°20'	9°40'	7°42'	5°35'	4°52'	3°52'	3°12'	2°45'	2°07'	
	Mx	1,44	1,44	1,44	1,44	1,09	1,7	1,44	1,09	0,89	0,74	0,56	
	ηδ(1400)	0,87	0,85	0,83	0,78	0,74	0,69	0,66	0,6	0,56	0,52	0,45	
	ηs	0,72	0,67	0,63	0,55	0,5	0,43	0,39	0,35	0,31	0,27	0,23	
<b>040</b>	Z1	6	4	3	2	2	2	1	1	1	1	1	1
	Υ	34°19'	24°28'	18°51'	12°49'	10°23'	8°43'	6°29'	5°14'	4°23'	3°47'	2°57'	2°25'
	Mx	2,06	2,06	2,06	2,06	1,57	1,27	2,06	1,57	1,27	1,06	0,81	0,65
	ηδ(1400)	0,89	0,87	0,85	0,83	0,79	0,76	0,71	0,66	0,63	0,59	0,53	0,48
	ηs	0,74	0,71	0,67	0,6	0,55	0,51	0,45	0,4	0,36	0,32	0,28	0,24
<b>050</b>	Z1	6	4	3	2	2	2	1	1	1	1	1	1
	Υ	33°37'	23°54'	18°23'	12°30'	10°06'	8°29'	6°19'	5°06'	4°16'	3°40'	2°52'	2°21'
	Mx	2,56	2,56	2,56	2,56	1,95	1,58	2,56	1,95	1,58	1,32	1	0,8
	ηδ(1400)	0,89	0,88	0,87	0,83	0,8	0,77	0,73	0,68	0,64	0,6	0,54	0,5
	ηs	0,74	0,7	0,66	0,59	0,55	0,51	0,44	0,39	0,35	0,32	0,27	0,23
<b>063</b>	Z1	-	4	3	2	2	2	1	1	1	1	1	1
	Υ	-	24°31'	18°53'	12°51'	10°25'	8°45'	6°30'	5°15'	4°24'	3°47'	2°58'	2°26'
	Mx	-	3,25	3,25	3,25	2,48	2	3,25	2,48	2	1,68	1,27	1,02
	ηδ(1400)	-	0,89	0,87	0,84	0,82	0,79	0,75	0,71	0,67	0,63	0,58	0,52
	ηs	-	0,71	0,67	0,6	0,55	0,51	0,45	0,4	0,36	0,33	0,28	0,24
<b>075</b>	Z1	-	4	3	2	2	2	1	1	1	1	1	1
	Υ	-	26°17'	20°20'	13°52'	11°18'	9°32'	7°02'	5°42'	4°48'	4°08'	3°14'	2°40'
	Mx	-	3,94	3,94	3,94	3	2,42	3,94	3	2,42	2,03	1,54	1,24
	ηδ(1400)	-	0,89	0,88	0,86	0,83	0,81	0,77	0,73	0,7	0,66	0,61	0,56
	ηs	-	0,71	0,68	0,61	0,57	0,53	0,46	0,42	0,38	0,35	0,29	0,26
<b>090</b>	Z1	-	4	3	2	2	2	1	1	1	1	1	1
	Υ	-	29°11'	22°44'	15°36'	12°50'	10°54'	7°57'	6°30'	5°30'	4°46'	3°45'	3°06'
	Mx	-	4,84	4,84	4,84	3,69	2,98	4,84	3,69	2,98	2,5	1,89	1,52
	ηδ(1400)	-	0,9	0,89	0,87	0,85	0,83	0,79	0,76	0,73	0,7	0,64	0,6
	ηs	-	0,73	0,7	0,64	0,6	0,56	0,49	0,45	0,41	0,38	0,32	0,28
<b>105</b>	Z1	-	4	3	2	2	2	1	1	1	1	1	1
	Υ	-	28°15'	21°57'	15°02'	14°41'	12°34'	7°39'	7°28'	6°22'	5°32'	4°24'	3°39'
	Mx	-	5,875	5,875	5,875	4,62	3,73	5,875	4,62	3,73	3,13	2,37	1,91
	ηδ(1400)	-	0,9	0,89	0,87	0,86	0,85	0,8	0,79	0,76	0,73	0,68	0,64
	ηs	-	0,72	0,69	0,63	0,62	0,59	0,48	0,48	0,44	0,41	0,36	0,32
<b>110</b>	Z1	-	4	3	2	2	2	1	1	1	1	1	1
	Υ	-	28°15'	21°57'	15°02'	14°41'	12°34'	7°39'	7°28'	6°22'	5°32'	4°24'	3°39'
	Mx	-	5,875	5,875	5,875	4,62	3,73	5,875	4,62	3,73	3,13	2,37	1,91
	ηδ(1400)	-	0,9	0,89	0,87	0,86	0,85	0,8	0,79	0,76	0,73	0,68	0,64
	ηs	-	0,72	0,69	0,63	0,62	0,59	0,48	0,48	0,44	0,41	0,36	0,32
<b>130</b>	Z1	-	4	3	2	2	2	1	1	1	1	1	1
	Υ	-	28°41'	22°19'	15°18'	13°52'	11°49'	7°47'	7°02'	5°58'	5°11'	4°07'	3°24'
	Mx	-	6,97	6,97	6,97	5,4	4,37	6,97	5,4	4,37	3,67	2,77	2,23
	ηδ(1400)	-	0,91	0,89	0,87	0,87	0,85	0,81	0,79	0,76	0,73	0,69	0,65
	ηs	-	0,72	0,69	0,63	0,61	0,58	0,49	0,46	0,43	0,39	0,34	0,3
<b>150</b>	Z1	-	6	4	3	2	2	2	1	1	1	1	1
	Υ	-	32°09'	24°35'	17°27'	12°53'	11°19'	9°50'	6°32'	5°43'	4°57'	3°55'	3°14'
	Mx	-	5,5	6,155	5,5	6,155	5	4,193	6,155	5	4,193	3,17	2,55
	ηδ(1400)	-	0,91	0,9	0,88	0,87	0,85	0,84	0,79	0,77	0,74	0,69	0,65
	ηs	-	0,73	0,71	0,66	0,6	0,57	0,54	0,45	0,42	0,39	0,33	0,29

These values can be detected on the output shaft, with the input shaft locked. For applications requiring controlled or reduced backlash, please contact our technical department.

NMRV 030	NMRV 040	NMRV 050	NMRV-P 063	NMRV-P 075	NMRV-P 90	NMRV-P 110	NMRV 130	NMRV 150
20' ÷ 44'	18' ÷ 34'	18' ÷ 32'	18' ÷ 28'	16' ÷ 24'	6' ÷ 18'	6' ÷ 14'	6' ÷ 12'	6' ÷ 12'

SW 030	SW 040	SW 050	SW 063	SW 075	SW 090	SW 105
20' ÷ 44'	18' ÷ 34'	18' ÷ 32'	18' ÷ 28'	16' ÷ 24'	6' ÷ 18'	6' ÷ 14'

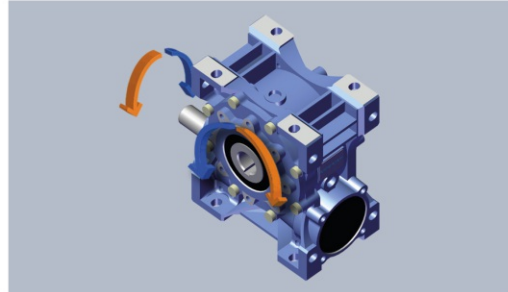
The worm screw rotation is right-handed.

**DIRECTION OF ROTATION - HIGH SPEED SHAFT**

**NMRV - NRV - SW - ISW**

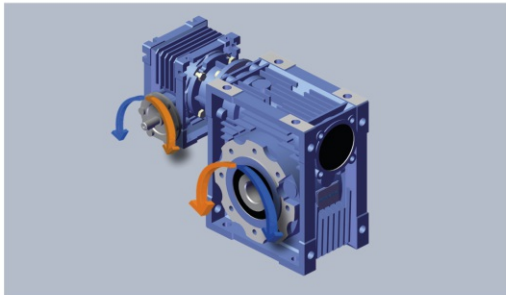


MOUNTING POSITION **B3**

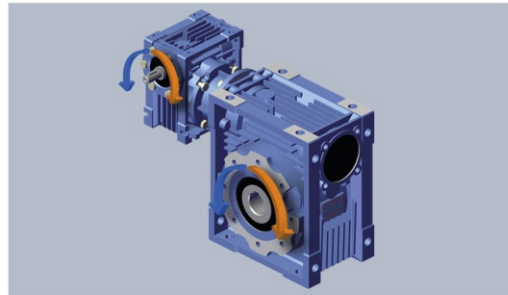


MOUNTING POSITION **B8**

**NMRV + NMRV - SW + SW - NRV + NMRV - ISW + SW**



MOUNTING POSITION **AS1**



MOUNTING POSITION **BS1**

2.8.1 Critical applications

NMRV - NMRV-P	NMRV				NMRV-P				NMRV	
	025	030	040	050	063	075	090	110	130	150
V5: 1500 < n1 < 3000	✓	✓	✓	✓	B	B	B	B	B	B
n1 > 3000	B	B	B	B	B	B	A	A	A	A
V6	B	B	B	B	B	B	B	B	B	B

SW	030	040	050	063	075	090	105
V5: 1500 < n1 < 3000	✓	✓	✓	✓	B	B	B
n1 > 3000	B	B	B	B	A	A	A
V6	B	B	B	B	B	B	B

H	A31	HW+NMRV-P	030+063	030+075	040+090	040+110
V5 - V1: 1500 < n1 < 3000	✓	1500<n1<3000	B	B	B	B
n1 > 3000	B	n1>3000	A	A	A	A
V3 - V6	B	V5 - V6	B	B	B	B

- ✓ Verified application
- A Application not recommended
- B Check the application and/or call our technical service

2.8.2 Information

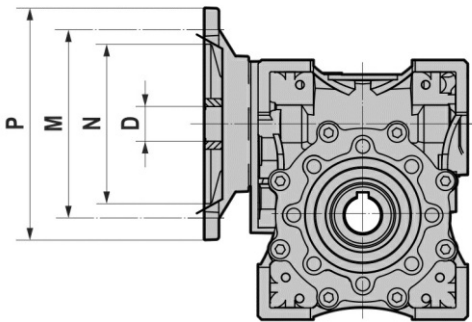
The performance given in the catalogue correspond to mounting position B3 or similar, when the first stage is not entirely immersed in oil. For other mounting positions and/or particular input speeds, refer to the tables that highlight different critical situations for each size of gear reducer. It is also necessary to take due consideration of and carefully assess the following applications by calling our Technical Service:

- To avoid the use as multiplier.
- Use in services that could be hazardous for people if the gear reducer fails.
- Applications with especially high inertia.
- Use as a lifting winch.
- Applications with high dynamic strain on the case of the gear reducer.
- In places with T<sub>amb</sub> under 23°F °C or over 104°F.
- Use in chemically aggressive environments.
- Use in a salty environment.
- Mounting positions not envisaged in the catalogue.
- Use in radioactive environments.
- Use in environments pressures other than atmospheric pressure.

Avoid applications where even partial immersion of the reducer is required. In the presence of overloading due to full load, braking, shocks or other static and dynamic causes, please verify that the peak torque is less than 2\*Mn<sub>2</sub>.



2.9.1 NMRV - NMRV-P Motor flange availability



(•) Motor-ratio combination feasible.  
 (-) Motor-ratio combination not feasible.

The table reports possible configurations strictly based on geometric criteria. To determine the compatibility of a motor-gear unit assembly in terms of mechanical factors, double check the selected configuration against the rating charts for NRV/NRV-P performances.

NMRV NMRV-P	NEMA	N	M	P	D	Available Ratios											
						5	7,5	10	15	20	25	30	40	50	60	80	100
030	48C	3,00	3,75	5,625	0,500	•	•	•	•	•	•	•	•	•	•	•	•
040	56C	4,50	5,88	6,500	0,625	•	•	•	•	•	•	•	•	•	•	•	•
050	56C	4,50	5,88	6,500	0,625	•	•	•	•	•	•	•	•	•	•	•	•
063	56C	4,50	5,88	6,500	0,625	-	-	-	•	•	•	•	•	•	•	•	•
	140TC	4,50	5,88	6,500	0,875	-	•	•	•	•	•	•	•	•	•	•	-
075	56C	4,50	5,88	6,500	0,625	-	-	-	•	-	•	-	•	•	•	•	•
	140TC	4,50	5,88	6,500	0,875	-	•	•	•	•	•	•	•	•	•	•	•
	180TC	8,50	7,25	9,000	1,125	-	•	•	•	•	•	•	-	-	-	-	-
090	56C	4,50	5,88	6,500	0,625	-	-	-	-	-	-	-	-	-	-	•	•
	140TC	4,50	5,88	6,500	0,875	-	-	•	-	-	•	•	•	•	•	•	•
	180TC	8,50	7,25	9,000	1,125	-	•	•	•	•	•	•	•	•	-	-	-
110	140TC	4,50	5,88	6,500	0,875	-	-	-	-	-	-	-	•	•	•	•	•
	180TC	8,50	7,25	9,000	1,125	-	-	-	-	•	•	•	•	•	•	•	•
130	140TC	4,50	5,88	6,500	0,875	-	-	-	-	-	-	-	-	-	-	•	•
	180TC	8,50	7,25	9,000	1,125	-	-	-	-	-	•	•	•	•	•	•	•
	210TC	8,50	7,25	9,000	1,375	-	•	•	•	•	•	•	•	•	-	-	-
150	180TC	8,50	7,25	9,000	1,125	-	-	-	-	-	•	•	•	•	•	•	•
	210TC	8,50	7,25	9,000	1,375	-	-	-	•	•	•	•	•	-	-	-	-
	250TC	8,50	7,25	9,000	1,625	-	•	•	•	•	-	-	-	-	-	-	-

2.9.2 NMRV-P/HW Motor flange availability

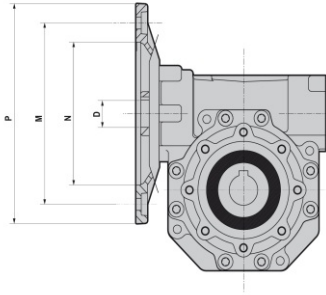
HW030	NMRV-P 063	i1xi2	56C	140TC
2,94	7,5	22,08	•	•
3,86	7,5	29,00	•	•
3,86	10	38,67	•	•
2,94	15	44,17	•	•
4,75	10	47,50	•	•
3,86	15	58,00	•	•
4,75	15	71,25	•	•
3,86	20	77,33	•	•
5,45	15	81,82	•	•
2,94	30	88,33	•	•
4,75	20	95,00	•	•
5,45	20	109,09	•	•
7,88	15	118,13	•	•
5,45	25	136,36	•	•
4,75	30	142,50	•	•
7,88	20	157,50	•	•
5,45	30	163,64	•	•
2,94	60	176,67	•	•
7,88	25	196,88	•	•
5,45	40	218,18	•	•
7,88	30	236,25	•	•
5,45	50	272,73	•	•
7,88	40	315,00	•	•
7,88	50	393,75	•	•
10,83	40	433,33	•	•
7,88	60	472,50	•	•
10,83	50	541,67	•	•
10,83	60	650,00	•	•
7,88	100	787,50	•	•
10,83	80	866,67	•	•
10,83	100	1083,33	•	•

HW030	NMRV-P 075	i	56C	140TC
2,94	7,5	22,08	•	•
3,86	7,5	29,00	•	•
3,86	10	38,67	•	•
2,94	15	44,17	•	•
4,75	10	47,50	•	•
3,86	15	58,00	•	•
4,75	15	71,25	•	•
3,86	20	77,33	•	•
5,45	15	81,82	•	•
2,94	30	88,33	•	•
4,75	20	95,00	•	•
5,45	20	109,09	•	•
7,88	15	116,00	•	•
5,45	25	136,36	•	•
4,75	30	142,50	•	•
7,88	20	154,67	•	•
5,45	30	163,64	•	•
2,94	60	176,67	•	•
7,88	25	196,88	•	•
5,45	40	218,18	•	•
7,88	30	236,25	•	•
5,45	50	272,73	•	•
7,88	40	315,00	•	•
7,88	50	393,75	•	•
7,88	60	472,50	•	•
10,83	50	541,67	•	•
10,83	60	650,00	•	•
7,88	100	787,50	•	•
10,83	80	866,67	•	•
10,83	100	1083,33	•	•

HW040	NMRV-P 090	i	56C	140TC	180TC
3,11	7,5	23,29	•	•	•
3,11	10	31,05	•	•	•
4,20	10	42,00	•	•	•
3,11	15	46,58	•	•	•
4,20	15	63,00	•	•	•
3,11	25	77,63	•	•	•
4,20	20	84,00	•	•	•
3,11	30	93,16	•	•	•
5,50	20	110,00	•	•	•
4,20	30	126,00	•	•	•
5,50	25	137,50	•	•	•
3,11	50	155,26	•	•	•
5,50	30	165,00	•	•	•
3,11	60	186,32	•	•	•
5,50	40	220,00	•	•	•
4,20	60	252,00	•	•	•
5,50	50	275,00	•	•	•
6,09	50	304,55	•	•	•
5,50	60	330,00	•	•	•
7,67	50	383,33	•	•	•
8,75	50	437,50	•	•	•
7,67	60	460,00	•	•	•
8,75	60	525,00	•	•	•
7,67	80	613,33	•	•	•
8,75	80	700,00	•	•	•
7,67	100	766,67	•	•	•
8,75	100	875,00	•	•	•

HW040	NMRV-P 110	i	56C	140TC	180TC
3,11	7,5	23,29	•	•	•
3,11	10	31,05	•	•	•
4,20	10	42,00	•	•	•
3,11	15	46,58	•	•	•
3,105	20	62,11	•	•	•
3,11	25	77,63	•	•	•
4,20	20	84,00	•	•	•
3,11	30	93,16	•	•	•
4,200	25	105,00	•	•	•
4,20	30	126,00	•	•	•
5,50	25	137,50	•	•	•
3,11	50	155,26	•	•	•
4,200	40	168,00	•	•	•
3,11	60	186,32	•	•	•
5,50	40	220,00	•	•	•
4,20	60	252,00	•	•	•
5,50	50	275,00	•	•	•
6,09	50	304,55	•	•	•
5,50	60	330,00	•	•	•
7,67	50	383,33	•	•	•
5,500	80	440,00	•	•	•
7,67	60	460,00	•	•	•
8,75	60	525,00	•	•	•
7,67	80	613,33	•	•	•
8,75	80	700,00	•	•	•
7,67	100	766,67	•	•	•
8,75	100	875,00	•	•	•

2.9.3 SW Motor flange availability

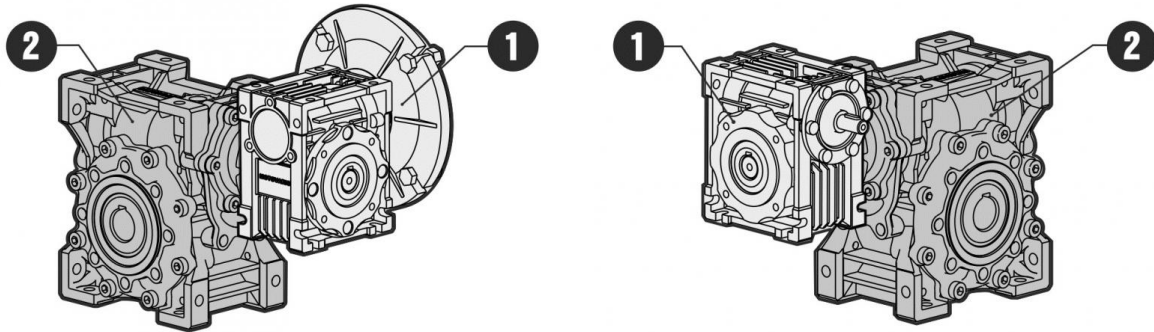


(•) Motor-ratio combination feasible.  
 (-) Motor-ratio combination not feasible.

The table report possible configurations strictly based on geometric criteria. To determine the compatibility of a motor-gear unit assembly in terms of mechanical factors, double check the selected configuration against the rating charts for SW/ISW performances.

SW	NEMA	N	M	P	D	Available Ratios											
						5	7,5	10	15	20	25	30	40	50	60	80	100
030	48C	3,00	3,75	5,625	0,500	•	•	•	•	•	•	•	•	•	•	•	•
040	56C	4,50	5,88	6,500	0,625	•	•	•	•	•	•	•	•	•	•	•	•
050	56C	4,50	5,88	6,500	0,625	•	•	•	•	•	•	•	•	•	•	•	•
063	56C	4,50	5,88	6,500	0,625	-	-	-	•	•	•	•	•	•	•	•	•
	140TC	4,50	5,88	6,500	0,875	-	•	•	•	•	•	•	•	•	•	•	-
075	56C	4,50	5,88	6,500	0,625	-	-	-	•	-	•	-	•	•	•	•	•
	140TC	4,50	5,88	6,500	0,875	-	•	•	•	•	•	•	•	•	•	•	•
	180TC	8,50	7,25	9,000	1,125	-	•	•	•	•	•	•	-	-	-	-	-
090	56C	4,50	5,88	6,500	0,625	-	-	-	-	-	-	-	-	-	-	•	•
	140TC	4,50	5,88	6,500	0,875	-	-	•	-	-	•	•	•	•	•	•	•
	180TC	8,50	7,25	9,000	1,125	-	•	•	•	•	•	•	•	•	-	-	-
105	140TC	4,50	5,88	6,500	0,875	-	-	-	-	-	-	-	-	•	•	•	•
	180TC	8,50	7,25	9,000	1,125	-	-	-	-	•	•	•	•	•	•	•	•

2.9.4 Ratios NRV/NMRV/NMRV-P+NMRV/NMRV-P



i	NMRV/NMRV	i1	i2
100	025/030	10,0	10,0
150		7,5	20,0
200		10,0	20,0
250		10,0	25,0
300		10,0	30,0
400		20,0	20,0
500		20,0	25,0
600		20,0	30,0
750		30,0	25,0
900		15,0	60,0
1200		30,0	40,0
1500		30,0	50,0
1800		60,0	30,0
2400		60,0	40,0
3000		60,0	50,0
4000		50,0	80,0

i	NMRV/NMRV	i1	i2
100	025/040	10,0	10,0
150		7,5	20,0
200		10,0	20,0
250		10,0	25,0
300		10,0	30,0
400		20,0	20,0
500		20,0	25,0
600		20,0	30,0
750		30,0	25,0
900		30,0	30,0
1200		30,0	40,0
1500		30,0	50,0
1800		60,0	30,0
2400		60,0	40,0
3000		60,0	50,0
4000		50,0	80,0
5000	50,0	100,0	

i	NMRV/NMRV NRV/NMRV	i1	i2
100	030/040	10,0	10,0
150		10,0	15,0
200		10,0	20,0
250		10,0	25,0
300		10,0	30,0
400		10,0	40,0
500		20,0	25,0
600		20,0	30,0
750		25,0	30,0
900		30,0	30,0
1200		40,0	30,0
1500		50,0	30,0
1800		60,0	30,0
2400		60,0	40,0
3000		60,0	50,0
4000		50,0	80,0
5000	50,0	100,0	

i	NMRV/NMRV NRV/NMRV	i1	i2
100	030/050	10,0	10,0
150		10,0	15,0
200		10,0	20,0
250		10,0	25,0
300		10,0	30,0
400		10,0	40,0
500		10,0	50,0
600		20,0	30,0
750		25,0	30,0
900		30,0	30,0
1200		40,0	30,0
1500		50,0	30,0
1800		60,0	30,0
2400		60,0	40,0
3000		60,0	50,0
4000		50,0	80,0
5000	50,0	100,0	

i	NMRV/NMRV-P NRV/NMRV-P	i1	i2
100	030/063	10,0	10,0
150		10,0	15,0
200		10,0	20,0
250		10,0	25,0
300		7,5	40,0
400		10,0	40,0
500		10,0	50,0
600		20,0	30,0
750		25,0	30,0
900		30,0	30,0
1200		40,0	30,0
1500		50,0	30,0
1800		60,0	30,0
2400		60,0	40,0
3000		60,0	50,0
4000		80,0	50,0
5000	50,0	100,0	

i	NMRV/NMRV NRV/NMRV	i1	i2
100	040/050	10,0	10,0
150		10,0	15,0
200		10,0	20,0
250		10,0	25,0
300		10,0	30,0
400		10,0	40,0
500		50,0	10,0
600		20,0	30,0
750		25,0	30,0
900		60,0	15,0
1200		40,0	30,0
1500		50,0	30,0
1800		60,0	30,0
2400		60,0	40,0
3000		60,0	50,0
4000		80,0	50,0
5000	100,0	50,0	

i	NMRV/NMRV-P NRV/NMRV-P	i1	i2
100	040/063	10,0	10,0
150		10,0	15,0
200		10,0	20,0
250		10,0	25,0
300		10,0	30,0
400		10,0	40,0
500		20,0	25,0
600		20,0	30,0
750		25,0	30,0
900		30,0	30,0
1200		40,0	30,0
1500		50,0	30,0
1800		60,0	30,0
2400		60,0	40,0
3000		60,0	50,0
4000		80,0	50,0
5000	100,0	50,0	

i	NMRV/NMRV-P NRV/NMRV-P	i1	i2
100	040/075	10,0	10,0
150		10,0	15,0
200		10,0	20,0
250		10,0	25,0
300		10,0	30,0
400		10,0	40,0
500		10,0	50,0
600		20,0	30,0
750		25,0	30,0
900		30,0	30,0
1200		40,0	30,0
1500		50,0	30,0
1800		60,0	30,0
2400		60,0	40,0
3000		60,0	50,0
4000		80,0	50,0
5000	100,0	50,0	

i	NMRV/NMRV-P NRV/NMRV-P	i1	i2
100	040/090	10,0	10,0
150		10,0	15,0
200		10,0	20,0
250		10,0	25,0
300		10,0	30,0
400		10,0	40,0
500		10,0	50,0
600		20,0	30,0
750		25,0	30,0
900		30,0	30,0
1200		40,0	30,0
1500		50,0	30,0
1800		60,0	30,0
2400		60,0	40,0
3000		60,0	50,0
4000		80,0	50,0
5000	100,0	50,0	

i	NMRV/NMRV-P NRV/NMRV-P	i1	i2
100	050/090	10,0	10,0
150		10,0	15,0
200		10,0	20,0
250		10,0	25,0
300		10,0	30,0
400		10,0	40,0
500		20,0	25,0
600		20,0	30,0
750		25,0	30,0
900		30,0	30,0
1200		40,0	30,0
1500		50,0	30,0
1800		60,0	30,0
2400		60,0	40,0
3000		60,0	50,0
4000		80,0	50,0
5000	100,0	50,0	

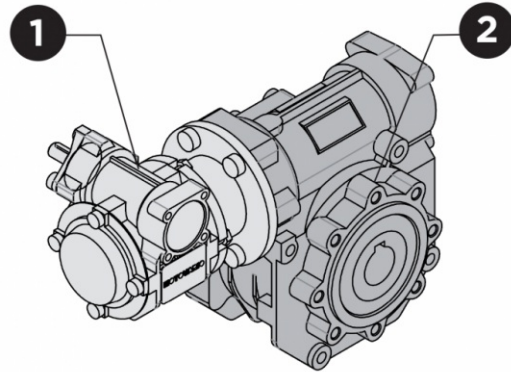
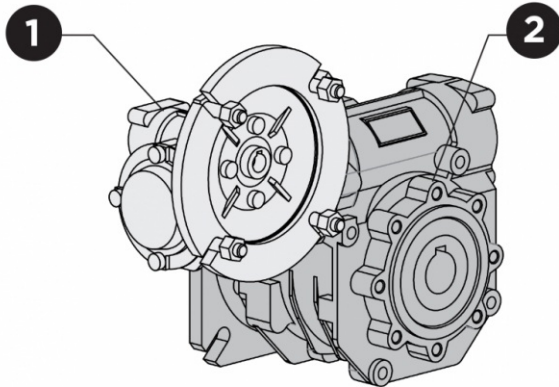
i	NMRV/NMRV-P NRV/NMRV-P	i1	i2
100	050/110	10,0	10,0
150		10,0	15,0
200		10,0	20,0
250		10,0	25,0
300		10,0	30,0
400		10,0	40,0
500		20,0	25,0
600		20,0	30,0
750		25,0	30,0
900		30,0	30,0
1200		40,0	30,0
1500		50,0	30,0
1800		60,0	30,0
2400		60,0	40,0
3000		60,0	50,0
4000		80,0	50,0
5000	100,0	50,0	

i	NMRV-P/NMRV-P NRV-P/NMRV-P	i1	i2
100	063/110	10,0	10,0
150		10,0	15,0
200		10,0	20,0
250		10,0	25,0
300		10,0	30,0
400		10,0	40,0
500		20,0	25,0
600		20,0	30,0
750		25,0	30,0
900		30,0	30,0
1200		40,0	30,0
1500		50,0	30,0
1800		60,0	30,0
2400		60,0	40,0
3000		60,0	50,0
4000		80,0	50,0
5000	100,0	50,0	

i	NMRV-P/NMRV NRV-P/NMRV	i1	i2
100	063/130	10,0	10,0
150		10,0	15,0
200		10,0	20,0
250		10,0	25,0
300		10,0	30,0
400		10,0	40,0
500		10,0	50,0
600		20,0	30,0
750		25,0	30,0
900		30,0	30,0
1200		40,0	30,0
1500		50,0	30,0
1800		60,0	30,0
2400		60,0	40,0
3000		60,0	50,0
4000		80,0	50,0
5000		100,0	50,0

i	NMRV-P/NMRV NRV-P/NMRV	i1	i2
150	063/150	7,5	20,0
200		10,0	20,0
250		10,0	25,0
300		15,0	20,0
400		10,0	40,0
500		10,0	50,0
600		15,0	40,0
750		15,0	50,0
900		30,0	30,0
1200		30,0	40,0
1500		30,0	50,0
1800		60,0	30,0
2400		60,0	40,0
3000		60,0	50,0
4000		80,0	50,0
5000		100,0	50,0

2.9.5 Ratios ISW/SW+SW



i	SW/SW ISW/SW	i1	i2
100	SW030/040	10	10
150		10	15
200		10	20
250		10	25
300		10	30
400		10	40
500		20	25
600		20	30
750		25	30
900		30	30
1200		40	30
1500		50	30
1800		60	30
2400		60	40
3000		60	50
4000		50	80
5000		50	100

i	SW/SW ISW/SW	i1	i2
100	SW030/050	10	10
150		10	15
200		10	20
250		10	25
300		10	30
400		10	40
500		10	50
600		20	30
750		25	30
900		30	30
1200		40	30
1500		50	30
1800		60	30
2400		60	40
3000		60	50
4000		50	80
5000		50	100

i	SW/SW ISW/SW	i1	i2
100	SW030/063	10	10
150		10	15
200		10	20
250		10	25
300		7,5	40
400		10	40
500		10	50
600		20	30
750		25	30
900		30	30
1200		40	30
1500		50	30
1800		60	30
2400		60	40
3000		60	50
4000		80	50
5000		50	100

i	SW/SW ISW/SW	i1	i2
100	SW040/075	10	10
150		10	15
200		10	20
250		10	25
300		10	30
400		10	40
500		10	50
600		20	30
750		25	30
900		30	30
1200		40	30
1500		50	30
1800		60	30
2400		60	40
3000		60	50
4000		80	50
5000		100	50

i	SW/SW ISW/SW	i1	i2
100	SW040/090	10	10
150		10	15
200		10	20
250		10	25
300		10	30
400		10	40
500		10	50
600		20	30
750		25	30
900		30	30
1200		40	30
1500		50	30
1800		60	30
2400		60	40
3000		60	50
4000		80	50
5000		100	50

i	SW/SW ISW/SW	i1	i2
100	SW050/090	10	10
150		10	15
200		10	20
250		10	25
300		10	30
400		10	40
500		20	25
600		20	30
750		25	30
900		30	30
1200		40	30
1500		50	30
1800		60	30
2400		60	40
3000		60	50
4000		80	50
5000		100	50

i	SW/SW ISW/SW	i1	i2
100	SW050/105	10	10
150		10	15
200		10	20
250		10	25
300		10	30
400		10	40
500		20	25
600		20	30
750		25	30
900		30	30
1200		40	30
1500		50	30
1800		60	30
2400		60	40
3000		60	50
4000		80	50
5000		100	50

VSF		Standard	On request
NMRV	025	1	/
NMRV - SW	030	1	/
NMRV - SW	040	1	2
NMRV - SW	050	1	2
NMRV-P - SW	063	1	2
NMRV-P - SW	075	1	2
NMRV-P - SW	090	1	2
SW	105	1	2
NMRV-P - SW	110	1	2
NMRV	130	1	2
NMRV	150	1	2

1 - Ball Bearing

2 - Roller bearings

/ - Not available



### 2.11.1 Information

The value of the admissible radial load [lb] is given in the tables relating to the performance of the gear reducer at issue. It is related to the load applied on the centre line of the shaft and in the most unfavourable conditions of angle of application and direction of rotation. The maximum admissible axial loads are 1/5 of the value of the given radial load when they are applied in combination with the radial load. The tables relating to the output shafts give the maximum admissible value. This value must never be exceeded since it relates to the strength of the case. Particular conditions of radial load higher than the limits of the catalogue may occur. In this case, call our Technical Service and provide details on the application: direction of the load, direction of rotation of the shaft, type of service. In case of double extension shafts with radial load applied on both ends, the max. admissible radial loads must be defined according to the specific running conditions, in this case call our Technical Service.

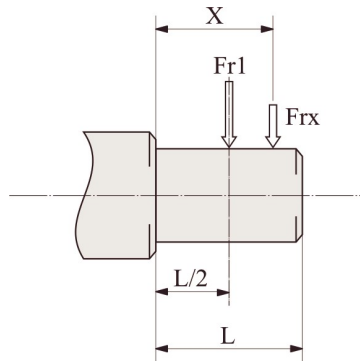
The radial load on the shaft is calculated with the following formula:  $Fr_e = (2 \cdot M \cdot fz) / D \leq Fr_1$  or  $Fr_2$

- **Fr<sub>e</sub>** [lb] Resulting radial load
- **M** [lb-in] Torque on the shaft
- **D** [in] Diameter of the transmission member mounted on the shaft
- **Fr<sub>1</sub>-Fr<sub>2</sub>** [lb] Value of the maximum admitted radial load (see relative tables)
- **fz** = 1,1 gear pinion - 1,4 chain wheel - 1,7 v-pulley - 2,5 flat pulley

### 2.11.2 Input

When the radial load is not on the centre line of the shaft, it is necessary to adjust the admissible radial load Fr<sub>1</sub> with the following formula:  $Fr_x = (Fr_1 \cdot a) / (b + x)$

- **a**, **b** = values given in the tables
- **x** = distance from the point of application of the load to the shaft shoulder



NRV/NRV-P	030	040	050	063	075	090	110	130	150
a	3,39	4,17	5,08	6,26	7,56	8,94	10,47	12,36	13,78
b	2,99	3,72	4,49	5,47	6,57	7,95	9,29	10,79	12,20
Fr1 max(**)	47	79	110	157	220	286	382	472	629

ISW	030	040	050	063	075	090	105
a	3,39	4,17	5,08	6,26	7,56	8,94	10,47
b	2,99	3,72	4,49	5,47	6,57	7,95	9,29
Fr1 max(**)	47	79	110	157	220	286	382

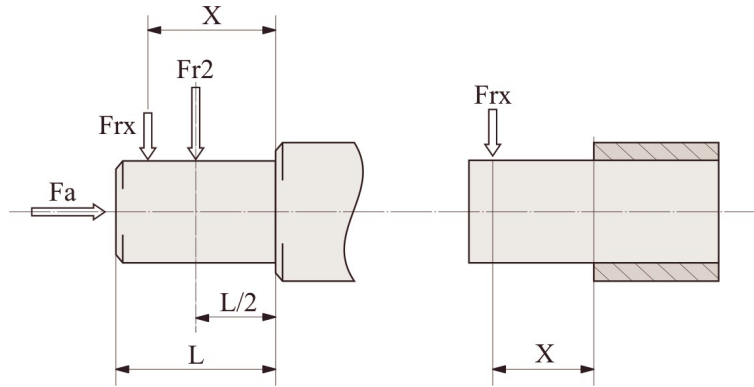
IHW040	090	110
a	2,80	2,80
b	2,01	2,01
Fr1 max(**)	90	112

(\*\*Fr1 max) Max admissible value of the reducer in static conditions and/or for limited operations. For continuous overhung loads please check the values on the performances tables calculated according to the casing, the shaft and bearings.

2.11.3 Output

When the radial load is not on the centre line of the shaft, it is necessary to adjust the admissible radial load Fr2 with the following formula:  $Fr_x = (Fr_2 * a) / (b + x)$

- **a** , **b** = values given in the tables
- **x** = distance from the point of application of the load to the shaft shoulder



NMRV NMRV-P	025	030	040	050	063	075	090	110	130	150
<b>a</b>	1,97	2,56	3,31	3,98	4,72	5,16	6,38	6,93	7,40	8,46
<b>b</b>	1,50	1,97	2,52	2,99	3,74	3,98	4,80	5,35	5,83	6,85
<b>Fr2 max(**)</b>	303	411	785	1088	1410	1659	1839	2698	3035	4047

SW	030	040	050	063	075	090	105
<b>a</b>	2,56	3,31	3,98	4,72	5,16	6,38	6,93
<b>b</b>	1,97	2,52	2,99	3,74	3,98	4,80	5,35
<b>Fr2 max(**)</b>	411	785	1088	1410	1659	1839	2320

(\*\*Fr2 max) Max admissible value of the reducer in static conditions and/or for limited operations. For continuous overhung loads please check the values on the performances tables calculated according to the casing, the shaft and bearings.

### 2.12.1 Information

In cases of ambient temperatures not envisaged in the table, call our Technical Service. In the case of temperatures under -22°F or over 140°F it is necessary to use oil seals with special properties.

For operating ranges with temperatures under 32°F it is necessary to consider the following:

1. The motors need to be suitable for operation at the envisaged ambient temperature.
2. The power of the electric motor needs to be adequate for exceeding the higher starting torques required.
3. In case of cast-iron gear reducers, pay attention to impact loads since cast iron may have problems of fragility at temperatures under 5°F.
4. During the early stages of service, problems of lubrication may arise due to the high level of viscosity taken on by the oil and so it is wise to have a few minutes of rotation under no load.

Oil must be changed after approx. 10000 hours/2 years of operation; this time varies based on the type of service and on the environment inside which the gear reducer is installed. Units not featuring any oil plug are life-lubricated, and therefore maintenance-free.

### 2.12.2 Lubricants

Specifications of lubricants recommended by Motovario.

All units are supplied with ENI oil, unless otherwise specified by the client.

	HA31	NMRV 025 ÷ 150 NMRV-P 063 ÷ 110 SW 030 ÷ 105 HW 030 ÷ 040
	Mineral oil	Synthetic oil
T <sub>amb</sub> °F ISO/SAE	(+23) ÷ (+104) ISO VG220	(-13) ÷ (+122) ISO VG320
ENI	BLASIA 220	TELIUM VSF320
SHELL	OMALA OIL220	OMALA S4 WE320
KLUBER	Kluberoil GEM 1-220N	Klubersynth GH 6-320
MOBIL	MOBILGEAR 600 XP220	SHC 632
CASTROL	ALPHA SP 220	ALPHASYN PG320
BP	ENERGOL GR-XP220	ENERGOL SG-XP320

## 2.12.3 Special lubricants

	$T_{amb}^{\circ F}$	Polyglycol synthetic oil
ENI	(-22) ÷ (+86)	Blasia S 150 (ISO VG150)
	(-4) ÷ (+104)	Blasia S 220 (ISO VG220)
MOBIL	(-49) ÷ (+32)	SCH 624 (ISO VG32)
	(-40) ÷ (+41)	SCH 626 (ISO VG68)
KLUBER	(-40) ÷ (+41)	Klubersynth GH 6-32 (ISO VG32)
	(-31) ÷ 50)	Klubersynth GH 6-80 (ISO VG80)
	(-22) ÷ (+104)	Klubersynth GH 6-150 (ISO VG150)
	(-13) ÷ (+104)	Klubersynth GH 6-220 (ISO VG220)
	(+5) ÷ (+122)	Klubersynth GH 6-460 (ISO VG460)
	(+14) ÷ (+158)	Klubersynth GH 6-680 (ISO VG680)
	$T_{amb}^{\circ F}$	Polyglycol synthetic oil for food grade
KLUBER	(-22) ÷ (+59)	Klubersynth UH1-6 100 (ISO VG100)
	(-13) ÷ (+104)	Klubersynth UH1-6 220 (ISO VG220)
	(+5) ÷ (+104)	Klubersynth UH1-6 320 (ISO VG320)
	(+5) ÷ (+122)	Klubersynth UH1-6 460 (ISO VG460)
	(+14) ÷ (+122)	Klubersynth UH1-6 680 (ISO VG680)

If 'special' lubricant is required please contact for Technical Assistance.

### 2.12.4 Quantity

- The gear reducers size 025 - 030 - 040 - 050 - 063 - 075 - 090 - 105 - 110 - 130 - 150 are supplied complete with lubricant for life, synthetic oil, ENI TELIUM VSF. They can be mounted in any position envisaged in the catalogue, except for NMRV 090 - 110 and NRV 075-090-110 for which you must to specify the mounting position.
- For sizes 130 and 150 it is necessary to specify the position, otherwise the gear reducers are supplied with the quantity of oil relating to pos. B3.
- Only reduction units 130 and 150 are fitted with breather, level and oil drainage plugs.
- The pre-stage helical modules are supplied complete with life-long lubricant, synthetic oil, ENI TELIUM VSF. Lubrication is separated from that of the worm gear reducers.

It is recommended, after installation, to replace the closed plug used for transportation with the supplied breather plug.

Quantity of oil in litres -

NMRV	025	030	040	050	130	150
B3	0,02	0,04	0,08	0,15	4,5	7
B8					3,3	5,1
B6-B7					3,5	5,4
V5					4,5	7
V6					3,3	5,1

NMRV-P	063	075	090	110
B3	0,33	0,55	1,15	1,6
B8				
B6-B7				
V5				
V6				

SW	030	040	050	063	075	090	105
B3	0,04	0,08	0,15	0,3	0,55	1	1,6
B8							
B6-B7							
V5							
V6							

HW	HW030		HW040	
	NMRV-P063	NMRV-P075	NMRV-P090	NMRV-P110
B3	0,06	0,09	0,11	0,12

H	A31
B3-B5	0,07

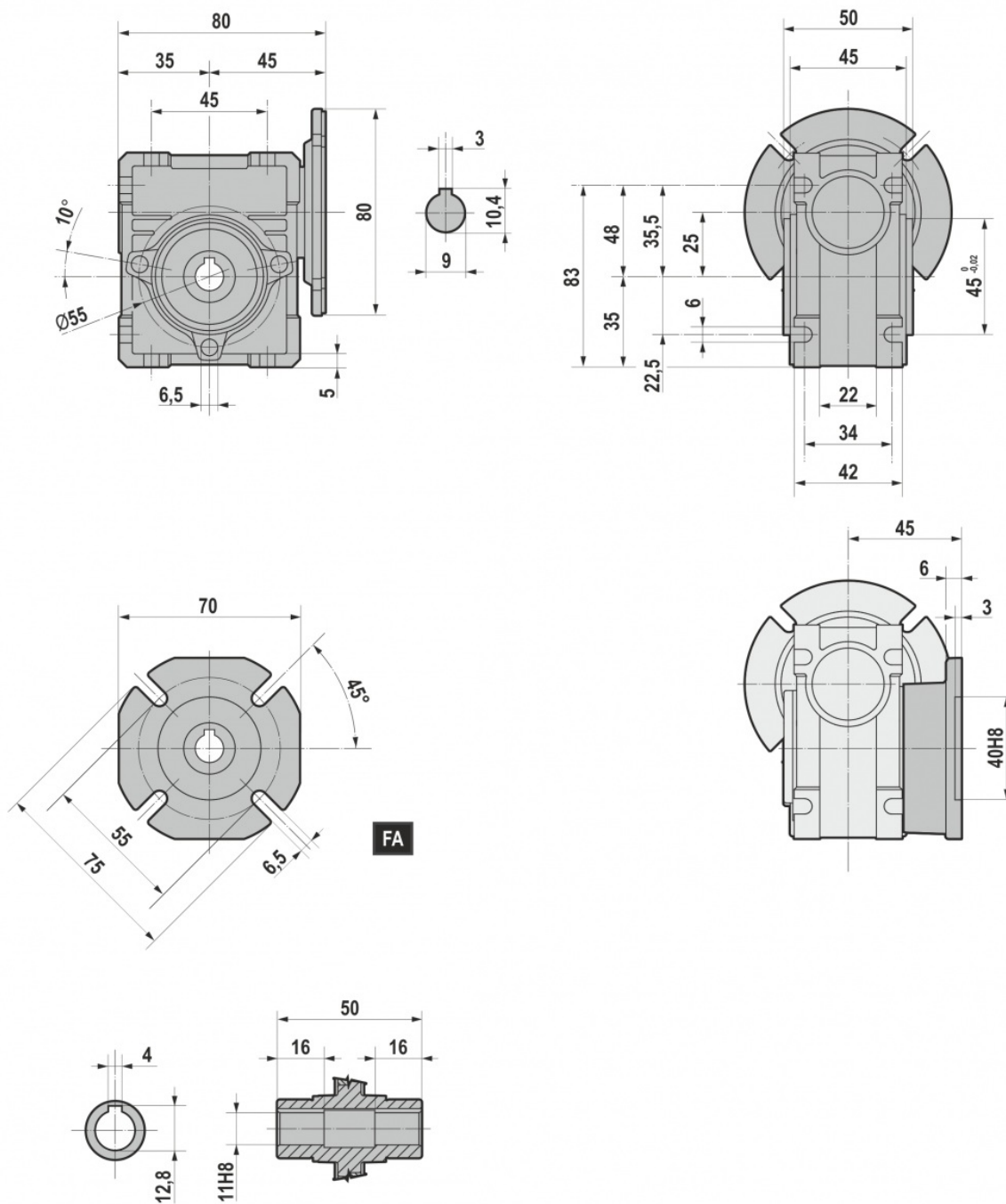
The following values of J1 moment of inertia are only estimated, referred to the maximum calculated, and to the gearbox input side.

NMRV-SW	J <sub>1</sub> [Kg*m <sup>2</sup> ]	J <sub>1</sub> [lb*in <sup>2</sup> ]
<b>025</b>	0,00003	0,0107
<b>030</b>	0,0001	0,0347
<b>040</b>	0,0003	0,1015
<b>050</b>	0,0008	0,2879
<b>063</b>	0,0018	0,6268
<b>075</b>	0,0033	1,1354
<b>090</b>	0,0054	1,8297
<b>105</b>	0,0140	4,7709
<b>130</b>	0,0225	7,6877
<b>150</b>	0,0529	18,0689

NMRV-P	J <sub>1</sub> [Kg*m <sup>2</sup> ]	J <sub>1</sub> [lb*in <sup>2</sup> ]
<b>063</b>	0,0022	0,7603
<b>075</b>	0,0044	1,5086
<b>090</b>	0,0082	2,7864
<b>110</b>	0,0199	6,8043

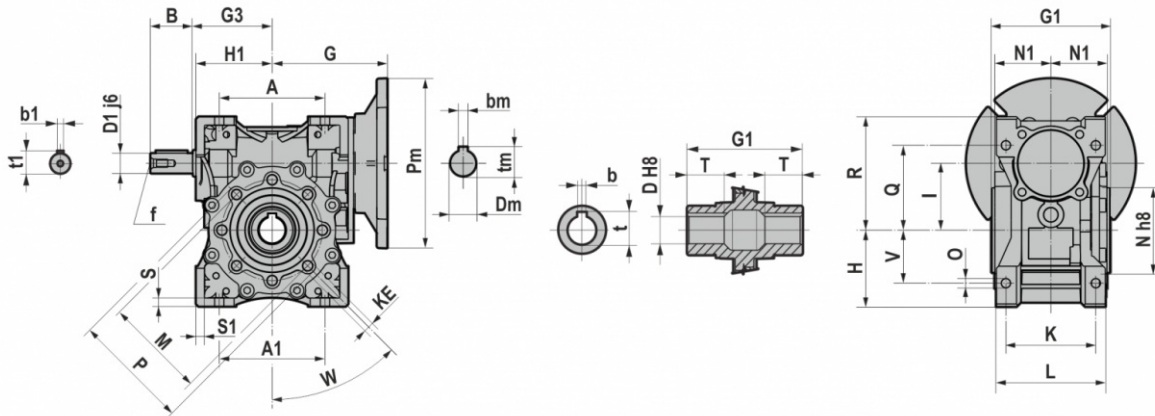
HA-1	J <sub>1</sub> [Kg*m <sup>2</sup> ]	J <sub>1</sub> [lb*in <sup>2</sup> ]
<b>A31</b>	0,0001	0,3313

3.1.1 NMRV 025



The above values are expressed in millimeters

3.1.2 NMRV 030-150



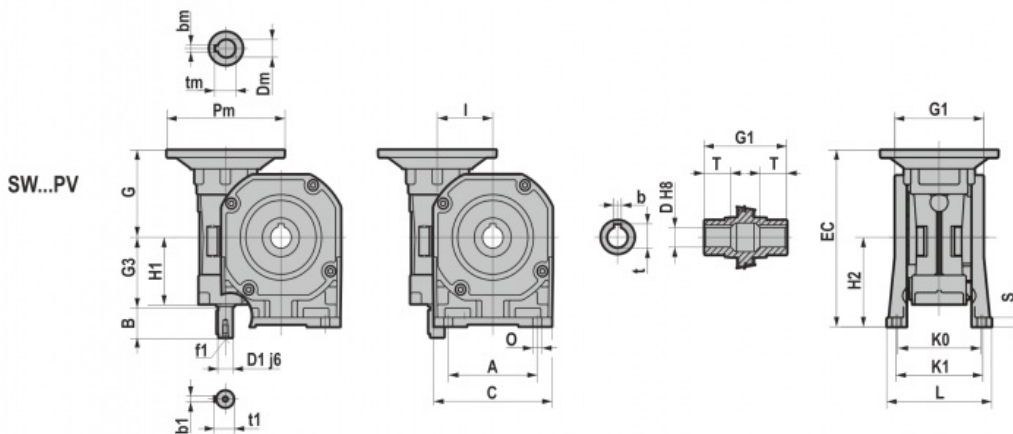
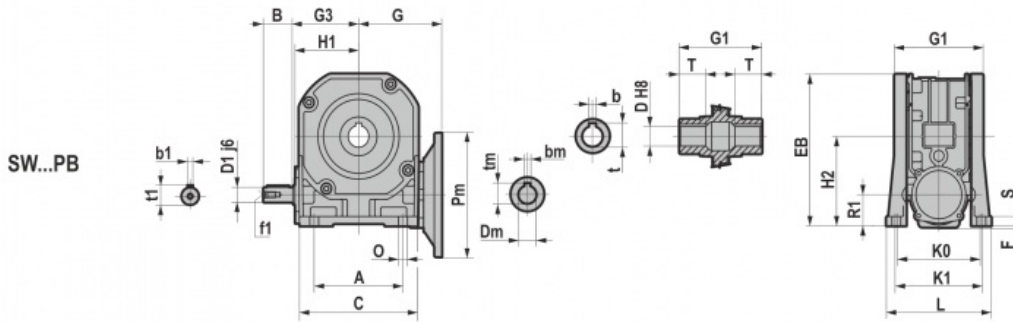
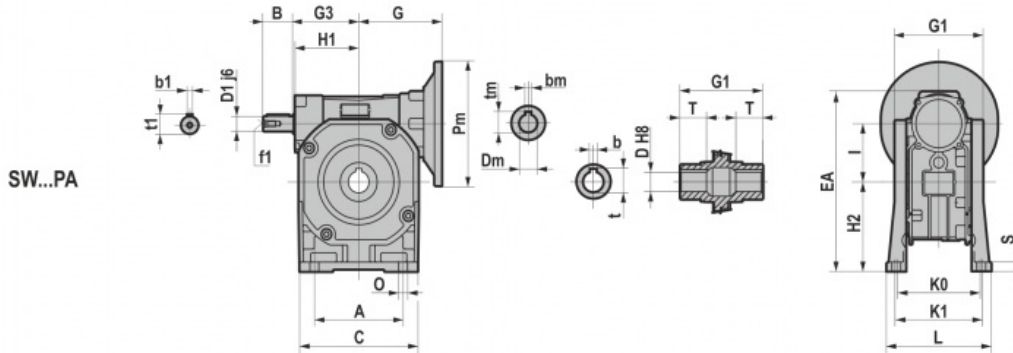
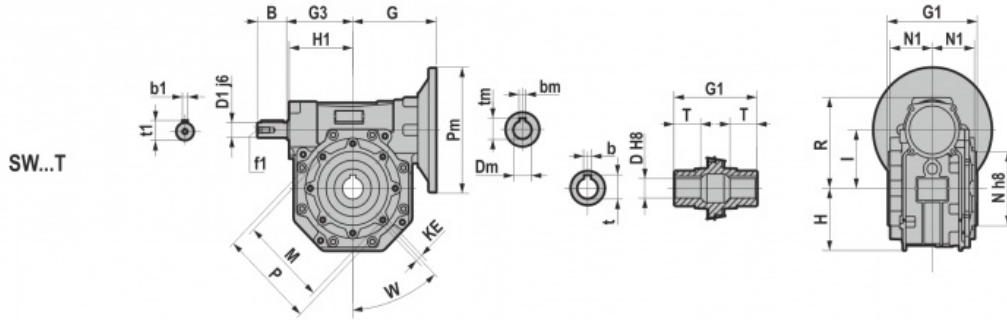
	030	040	050	063	075	090	110	130	150
A	2,13	2,76	3,15	3,94	4,72	5,51	6,69	7,87	9,45
A1	2,13	2,76	3,15	3,94	4,72	5,51	6,46 - 6,69	7,87	9,45
B	1,18	1,18	1,57	1,97	2,36	2,36	2,76	3,15	3,15
D1 +0/-0,0005	0,38	0,50	0,63	0,75	0,88	0,88	1,13	1,25	1,38
G	2,64	3,15	3,54	4,82	5,51 (56C/140TC) 5,89 (180TC)	6,24 (56C/140TC) 6,63 (180TC)	6,24 (140TC) 7,15 (180TC)	7,60	8,46
G1	2,48	3,07	3,62	4,41	4,72	5,51	6,10	6,69	7,87
G3	1,77	2,09	2,52	2,95	3,54	4,25	5,31	6,10	6,89
H	1,57	1,97	2,36	2,83	3,39	4,06	5,02	5,81	6,69
H1	1,57	1,97	2,36	2,83	3,50	4,06	5,02	5,81	6,69
I	1,18	1,57	1,97	2,48	2,95	3,54	4,33	5,12	5,91
K	1,73	2,36	2,76	3,35	3,54 - 3,74	3,94	4,53	4,72	5,71
KE	M6*11	M6*11	M8*10	M8*14	M8*14	M10*18	M10*18	M12*21	M12*21
L	2,20	2,80	3,35	4,06	4,41	5,12	5,67	6,10	7,28
M	2,56	2,95	3,35	3,74	4,53	5,12	6,50	8,46	8,46
N	2,17	2,36	2,76	3,15	3,74	4,33	5,12	7,09	7,09
N1	1,14	1,44	1,71	2,09	2,24	2,64	2,91	3,19	3,78
O	0,26	0,26	0,33	0,33	0,43	0,51	0,55	0,63	0,71
P	2,95	3,43	3,94	4,33	5,16	6,30	7,87	9,84	9,84
Q	1,73	2,17	2,52	3,15	3,66	4,02	4,92	5,51	7,09
R	2,24	2,81	3,31	4,21	4,84	5,67	6,59	7,38	9,06
S	0,22	0,26	0,28	0,31	0,39	0,43	0,57	0,61	0,71
S1	0,22	0,26	0,28	0,31	0,51	0,43	0,57	0,61	0,71
V	1,06	1,38	1,57	1,97	2,36	2,76	3,23 - 3,35	3,94	4,72
W	0,00	45,00	45,00	45,00	45,00	45,00	45,00	45,00	45,00
b1	0,09	0,125	0,1875	0,1875	0,1875	0,1875	0,250	0,250	0,31
t1	0,42	0,55	0,70	0,83	0,96	0,96	1,24	1,36	1,15
f1	-	-	1/4-20	1/4-20	1/4-20	1/4-20	3/8-16	1/2-13	1/2-13

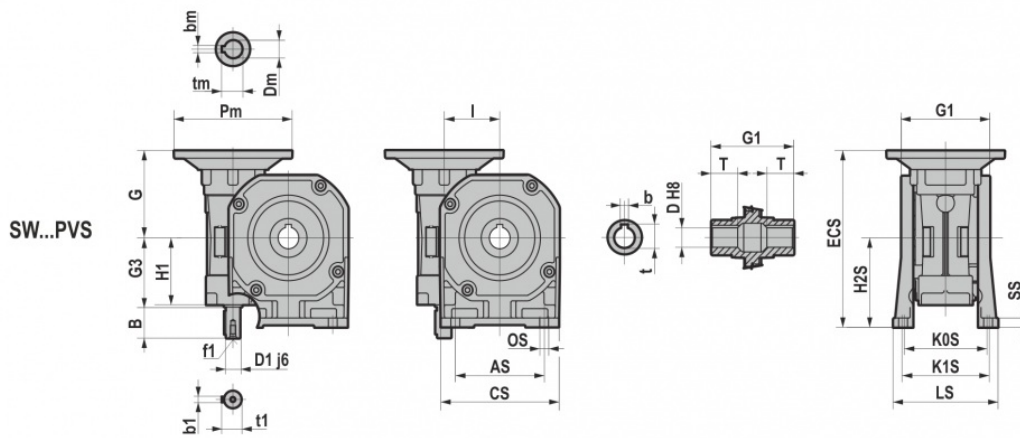
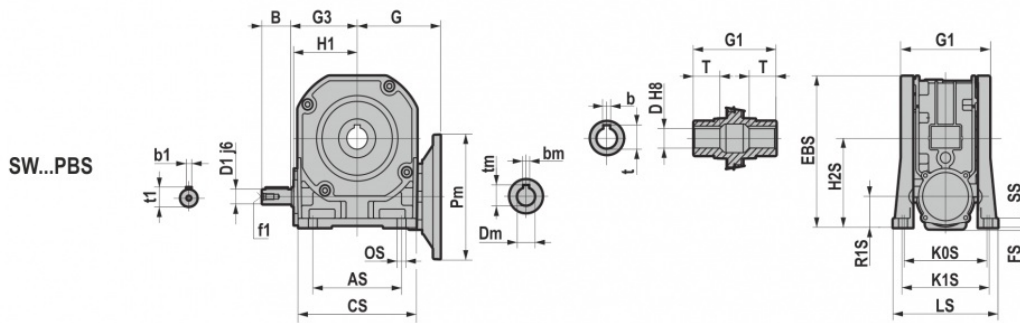
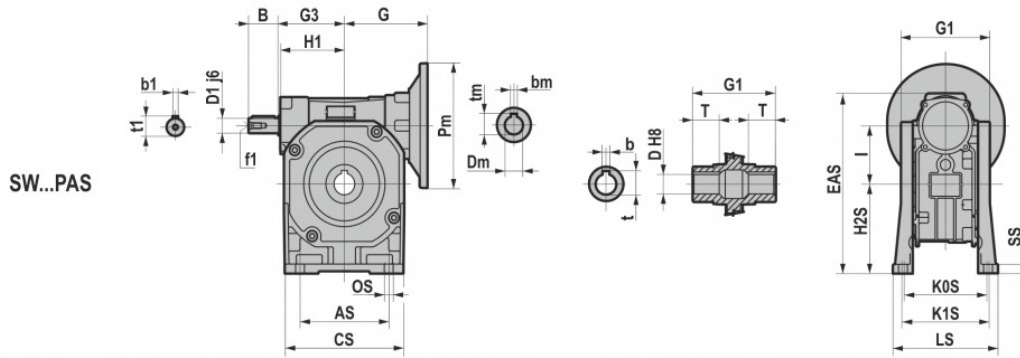
	D +0,001/-0	b	t	T
030	0,625	0,188	0,71	0,83
040	0,750	0,188	0,84	1,02
050	1,000	0,250	1,11	1,18
063	1,125	0,250	1,24	1,42
075	1,250	0,250	1,37	1,57
090	1,375	0,313	1,52	1,77
110	1,625	0,375	1,80	1,97
130	1,750	0,375	1,92	2,36
150	2,000	0,500	2,22	2,85

NEMA	Pm	Dm	tm	bm
48C	5,63	0,50	0,56	0,1250
56C	6,69	0,625	0,71	0,1875
140TC	6,69	0,875	0,97	0,1875
180TC	9,06	1,125	1,24	0,2500
210TC	9,06	1,375	1,52	0,3125
250TC	9,06	1,625	1,80	0,3750



3.1.3 SW





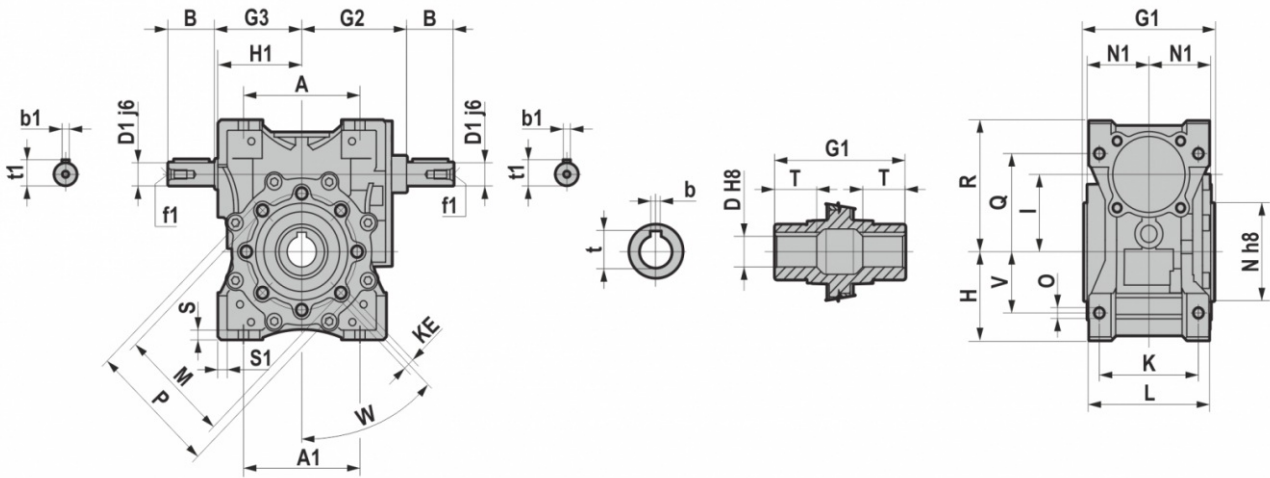
		030	040	050	063	075	090	105
...T ...PA ...PB ...PV ...PAS ...PBS ...PVS	G	2,17	2,76	3,15	3,74	4,43	5,10	6,30
	G1	2,48	3,07	3,62	4,41	4,72	5,51	6,10
	G3	1,77	2,09	2,52	2,95	3,54	4,25	5,31
	H	1,48	1,65	2,05	2,60	3,15	3,82	4,53
	H1	1,57	1,97	2,36	2,83	3,39	4,06	5,02
	I	1,18	1,57	1,97	2,48	2,95	3,54	4,33
	KE	M6*11	M6*11	M8*10	M8*14	M8*14	M10*18	M10*18
	M	2,56	2,95	3,35	3,74	4,53	5,12	6,50
	N	2,17	2,36	2,76	3,15	3,74	4,33	5,12
	N1	1,14	1,44	1,71	2,09	2,24	2,64	2,91
	P	2,95	3,43	3,84	4,33	5,12	5,83	7,87
	R	2,24	2,76	3,31	4,02	4,61	5,24	6,54
	W	3,54	1,77	1,77	1,77	1,77	1,77	1,77
	B	0,79	0,91	1,18	1,57	1,97	1,97	2,36
	D1 +0/-0,0005	0,35	0,43	0,55	0,75	0,94	0,94	1,10
b1	0,12	0,16	0,20	0,24	0,31	0,31	0,31	
t1	0,40	0,49	0,63	0,85	1,06	1,06	1,06	
f1	/	/	M6	M6	M8	M8	M10	

	D +0,001/-0	b	t	T
030	0,625	0,188	0,71	0,83
040	0,750	0,188	0,84	1,02
050	1,000	0,250	1,11	1,18
063	1,125	0,250	1,24	1,42
075	1,250	0,250	1,37	1,57
090	1,375	0,313	1,52	1,77
105	1,625	0,375	1,80	1,97

NEMA	Pm	Dm	tm	bm
48C	5,63	0,50	0,56	0,1250
56C	6,69	0,625	0,71	0,1875
140TC	6,69	0,875	0,97	0,1875
180TC	9,06	1,125	1,24	0,2500
210TC	9,06	1,375	1,52	0,3125
250TC	9,06	1,625	1,80	0,3750

		030	040	050	063	075	090	105	
...PA ...PB ...PV	A	1,97	2,05	2,48	3,74	4,72	5,51	7,87	
	C	3,15	3,54	4,33	5,51	6,30	7,87	9,84	
	EA	4,41	5,59	6,54	7,95	9,13	10,83	13,31	
	EB	3,80	4,61	5,39	6,69	7,72	9,53	11,56	
	EC	4,33	5,59	6,38	7,68	8,96	10,69	13,07	
	F	0,08	/	0,08	0,08	0,08	/	/	
	H2	2,17	2,83	3,23	3,94	4,53	5,59	6,77	
	KO	2,60	3,19	3,88	4,37	4,53	5,51	6,30	
	K1	/	/	/	/	/	5,75	7,13	
	L	3,15	3,86	4,88	5,43	5,59	7,09	8,19	
	O	0,28	0,35	0,35	0,47	0,47	0,51	0,51	
	R1	1,18	1,26	1,26	1,46	1,57	2,05	2,44	
	S	0,28	0,35	0,39	0,39	0,47	0,55	0,71	
	...PAS ...PBS ...PVS	AS	/	2,76	3,35	/	/	6,30	7,87
		CS	/	3,78	4,41	/	/	8,27	9,84
EAS		/	5,55	6,65	/	/	11,14	13,23	
EBS		/	4,57	5,55	/	/	9,84	11,48	
ECS		/	5,55	6,50	/	/	11,00	12,99	
FS		/	/	/	/	/	/	/	
H2S		/	2,80	3,35	/	/	5,91	6,69	
KOS		/	3,31	3,78	/	/	6,46	6,30	
K1S		/	/	3,90	/	/	/	7,13	
LS		/	3,94	4,57	/	/	7,68	8,19	
OS		/	0,28	0,35	/	/	0,51	0,51	
R1S		/	1,22	1,38	/	/	2,36	2,36	
SS		/	0,35	0,39	/	/	0,55	0,63	

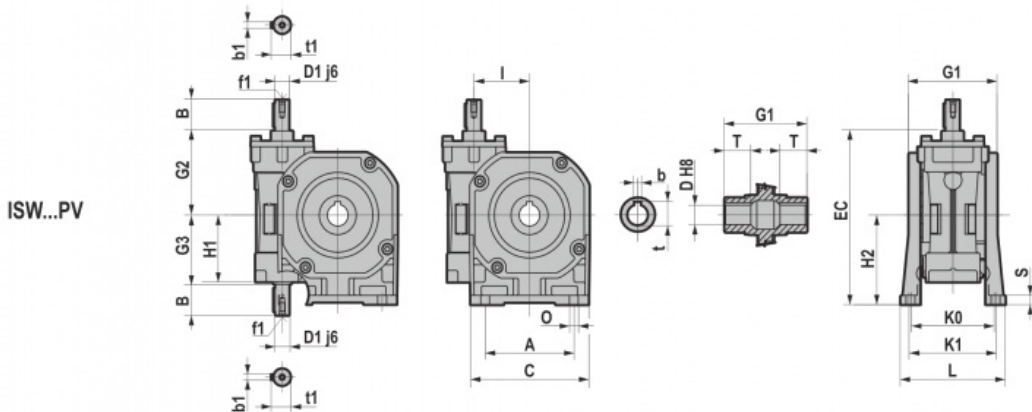
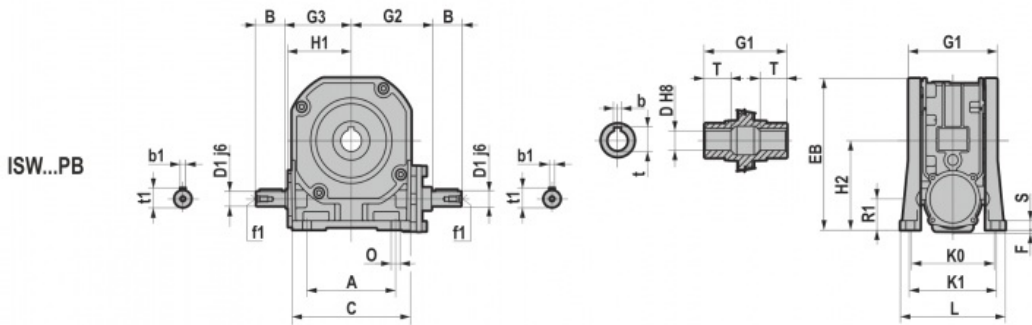
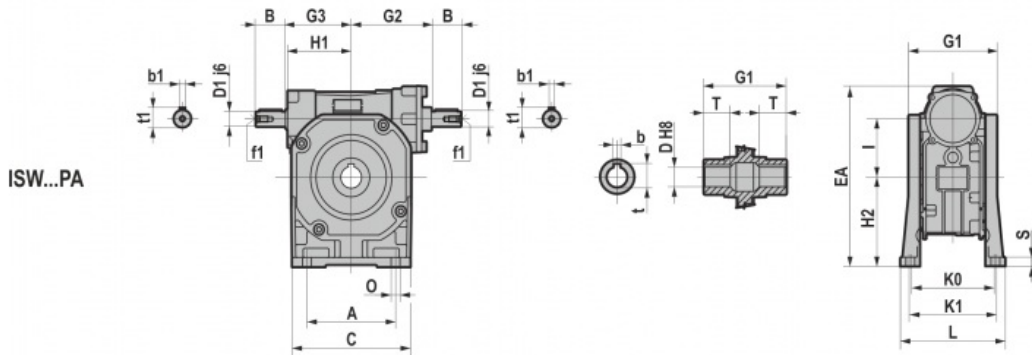
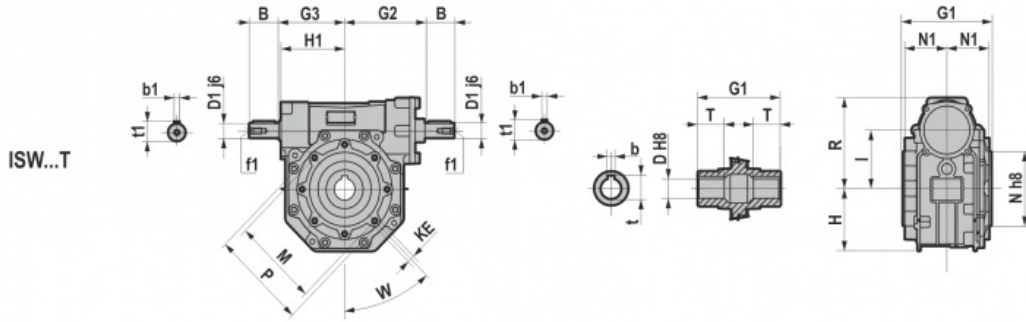
3.1.4 NRV

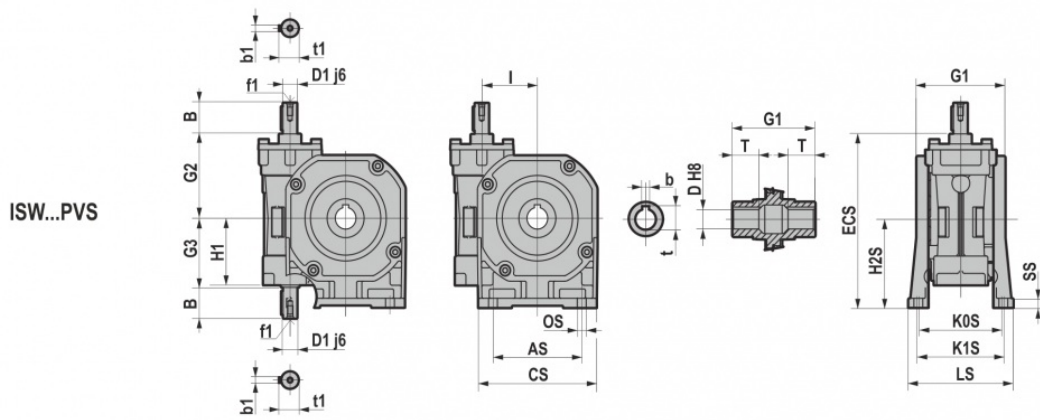
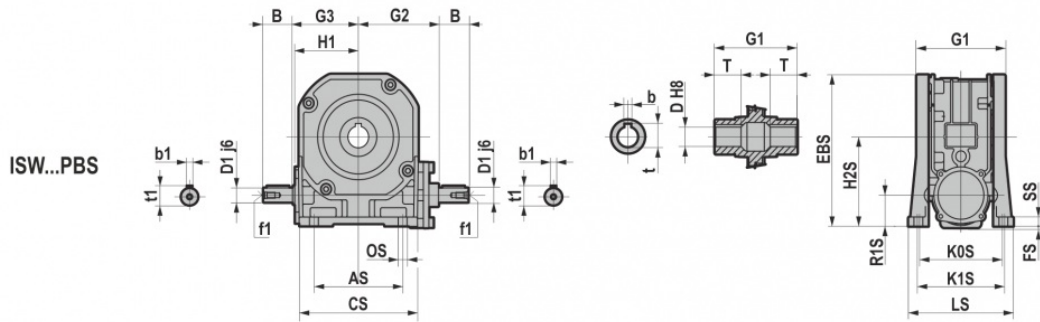
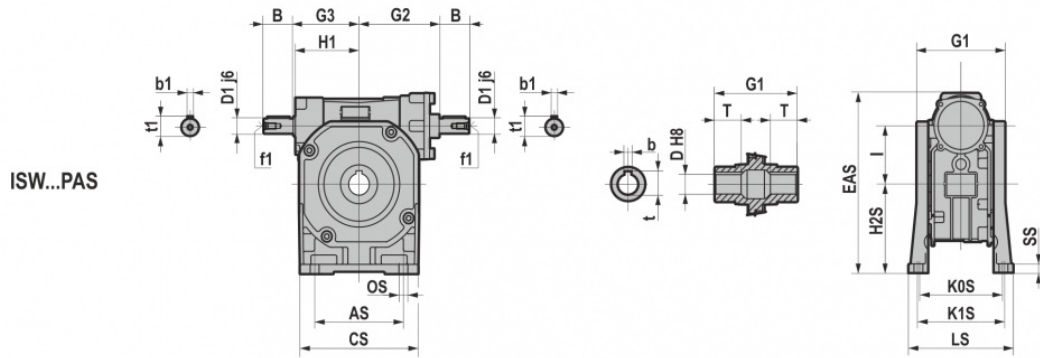


	030	040	050	063	075	090	110	130	150
<b>A</b>	2,13	2,76	3,15	3,94	4,72	5,51	6,69	7,87	9,45
<b>A1</b>	2,13	2,76	3,15	3,94	4,72	5,51	6,46 - 6,69	7,87	9,45
<b>B</b>	1,18	1,18	1,57	1,97	2,36	2,36	2,76	3,15	3,15
<b>D1 +0/-0,0005</b>	0,375	0,500	0,625	0,750	0,875	0,875	1,125	1,250	1,375
<b>G1</b>	2,48	3,07	3,62	4,41	4,72	5,51	6,10	6,69	7,87
<b>G2</b>	2,01	2,36	2,91	3,54	4,13	4,92	5,59	6,38	7,68
<b>G3</b>	1,77	2,09	2,52	2,95	3,54	4,25	5,31	6,10	6,89
<b>H</b>	1,57	1,97	2,36	2,83	3,39	4,06	5,02	5,81	6,69
<b>H1</b>	1,57	1,97	2,36	2,83	3,50	4,06	5,02	5,81	6,69
<b>I</b>	1,18	1,57	1,97	2,48	2,95	3,54	4,33	5,12	5,91
<b>K</b>	1,73	2,36	2,76	3,35	3,54 - 3,74	3,94	4,53	4,72	5,71
<b>KE</b>	M6*11	M6*11	M8*10	M8*14	M8*14	M10*18	M10*18	M12*21	M12*21
<b>L</b>	2,20	2,80	3,35	4,06	4,41	5,12	5,67	6,10	7,28
<b>M</b>	2,56	2,95	3,35	3,74	4,53	5,12	6,50	8,46	8,46
<b>N</b>	2,17	2,36	2,76	3,15	3,74	4,33	5,12	7,09	7,09
<b>N1</b>	1,14	1,44	1,71	2,09	2,24	2,64	2,91	3,19	3,78
<b>O</b>	0,26	0,26	0,33	0,33	0,43	0,51	0,55	0,63	0,71
<b>P</b>	2,95	3,43	3,94	4,33	5,16	6,30	7,87	9,84	9,84
<b>Q</b>	1,73	2,17	2,52	3,15	3,66	4,02	4,92	5,51	7,09
<b>R</b>	2,24	2,81	3,31	4,21	4,84	5,67	6,59	7,38	9,06
<b>S</b>	0,22	0,26	0,28	0,31	0,39	0,43	0,57	0,61	0,71
<b>S1</b>	0,22	0,26	0,28	0,31	0,51	0,43	0,57	0,61	0,71
<b>V</b>	1,06	1,38	1,57	1,97	2,36	2,76	3,23 - 3,35	3,94	4,72
<b>W</b>	0	45	45	45	45	45	45	45	45
<b>b1</b>	0,09375	0,125	0,1875	0,1875	0,1875	0,1875	0,250	0,250	0,3125
<b>t1</b>	0,42	0,55	0,7	0,83	0,96	0,96	1,24	1,36	1,15
<b>f1</b>	-	-	1/4-20	1/4-20	1/4-20	1/4-20	3/8-16	1/2-13	1/2-13

	D +0,001/-0	b	t	T
<b>030</b>	0,625	0,188	0,71	0,83
<b>040</b>	0,750	0,188	0,84	1,02
<b>050</b>	1,000	0,250	1,11	1,18
<b>063</b>	1,125	0,250	1,24	1,42
<b>075</b>	1,250	0,250	1,37	1,57
<b>090</b>	1,375	0,313	1,52	1,77
<b>110</b>	1,625	0,375	1,80	1,97
<b>130</b>	1,750	0,375	1,92	2,36
<b>150</b>	2,000	0,500	2,22	2,85

3.1.5 ISW



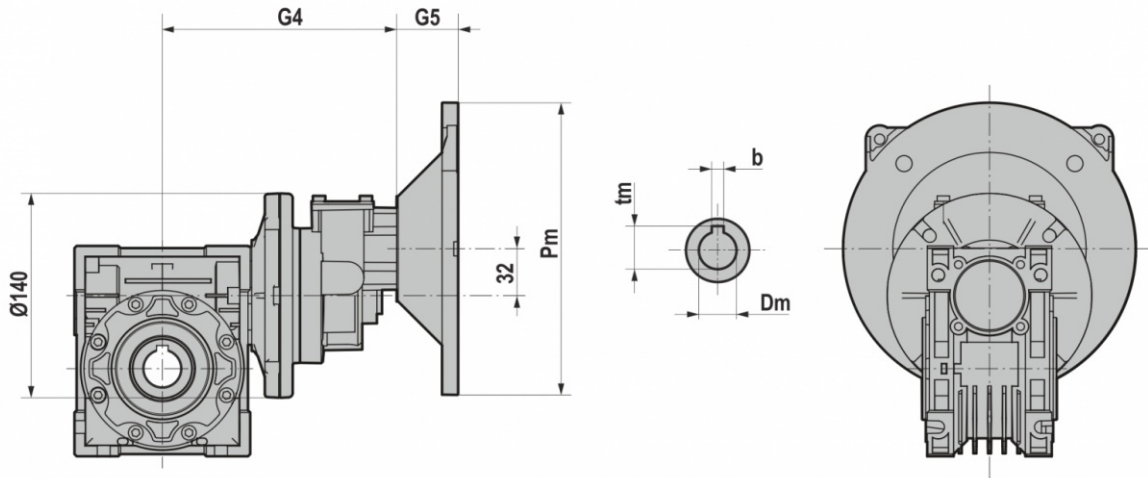


		030	040	050	063	075	090	105
...T ...PA ...PB ...PV ...PAS ...PBS ...PVS	G1	2,48	3,07	3,62	4,41	4,72	5,51	6,10
	G2	2,01	2,36	2,91	3,54	4,13	4,92	5,59
	G3	1,77	2,09	2,52	2,95	3,54	4,25	5,31
	H	1,48	1,65	2,05	2,60	3,15	3,82	4,53
	H1	1,57	1,97	2,36	2,83	3,39	4,06	5,02
	I	1,18	1,57	1,97	2,48	2,95	3,54	4,33
	KE	M6*11	M6*11	M8*10	M8*14	M8*14	M10*18	M10*18
	M	2,56	2,95	3,35	3,74	4,53	5,12	6,50
	N	2,17	2,36	2,76	3,15	3,74	4,33	5,12
	N1	1,14	1,44	1,71	2,09	2,24	2,64	2,91
	P	2,95	3,43	3,84	4,33	5,12	5,83	7,87
	R	2,24	2,76	3,31	4,02	4,61	5,24	6,54
	W	3,54	1,77	1,77	1,77	1,77	1,77	1,77
	B	0,79	0,91	1,18	1,57	1,97	1,97	2,36
	D1 +0/-0,0005	0,35	0,43	0,55	0,75	0,94	0,94	1,10

	D +0,001/-0	b	t	T
030	0,625	0,188	0,71	0,83
040	0,750	0,188	0,84	1,02
050	1,000	0,250	1,11	1,18
063	1,125	0,250	1,24	1,42
075	1,250	0,250	1,37	1,57
090	1,375	0,313	1,52	1,77
105	1,625	0,375	1,80	1,97

		030	040	050	063	075	090	105	
...PA ...PB ...PV	A	1,97	2,05	2,48	3,74	4,72	5,51	7,87	
	C	3,15	3,54	4,33	5,51	6,30	7,87	9,84	
	EA	4,41	5,59	6,54	7,95	9,13	10,83	13,31	
	EB	3,80	4,61	5,39	6,69	7,72	9,53	11,56	
	EC	4,33	5,59	6,38	7,68	8,96	10,69	13,07	
	F	0,08	/	0,08	0,08	0,08	/	/	
	H2	2,17	2,83	3,23	3,94	4,53	5,59	6,77	
	KO	2,60	3,19	3,88	4,37	4,53	5,51	6,30	
	K1	/	/	/	/	/	5,75	7,13	
	L	3,15	3,86	4,88	5,43	5,59	7,09	8,19	
	O	0,28	0,35	0,35	0,47	0,47	0,51	0,51	
	R1	1,18	1,26	1,26	1,46	1,57	2,05	2,44	
	S	0,28	0,35	0,39	0,39	0,47	0,55	0,71	
	...PAS ...PBS ...PVS	AS	/	2,76	3,35	/	/	6,30	7,87
		CS	/	3,78	4,41	/	/	8,27	9,84
EAS		/	5,55	6,65	/	/	11,14	13,23	
EBS		/	4,57	5,55	/	/	9,84	11,48	
ECS		/	5,55	6,50	/	/	11,00	12,99	
FS		/	/	/	/	/	/	/	
H2S		/	2,80	3,35	/	/	5,91	6,69	
KOS		/	3,31	3,78	/	/	6,46	6,30	
K1S		/	/	3,90	/	/	/	7,13	
LS		/	3,94	4,57	/	/	7,68	8,19	
OS		/	0,28	0,35	/	/	0,51	0,51	
R1S		/	1,22	1,38	/	/	2,36	2,36	
SS		/	0,35	0,39	/	/	0,55	0,63	

3.1.6 HA31+NMRV

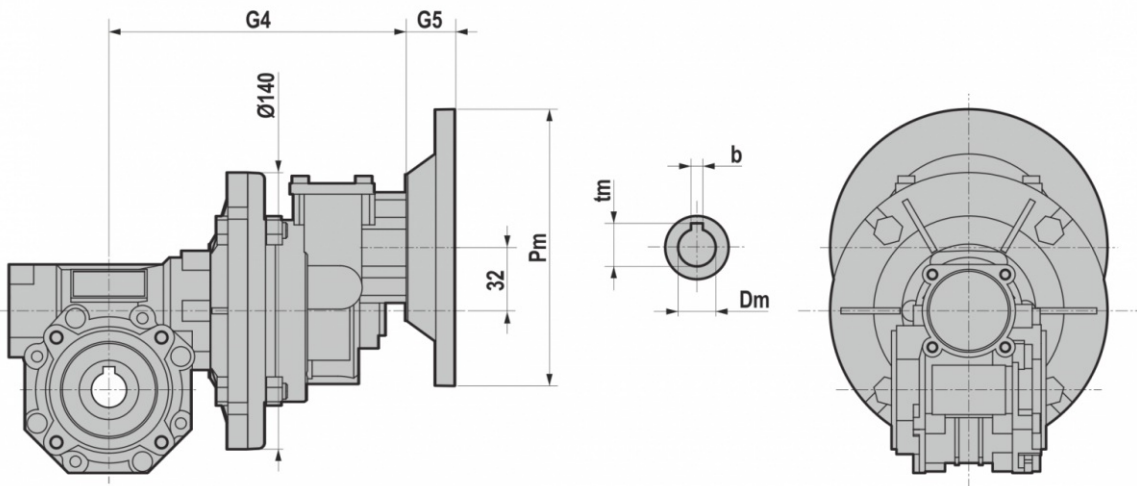


Dimensions Ø140 and 32 are in mm

	NMRV040		NMRV050	
	G4	G5	G4	G5
<b>063</b>	5,91	0,98	6,30	0,98
<b>071</b>	5,91	1,26	6,30	1,26
<b>080</b>	5,91	1,65	6,30	1,65

B5	Pm	Dm	bm	tm
<b>063</b>	140 mm	11 mm	4 mm	12,8 mm
<b>071</b>	160 mm	14 mm	5 mm	16,3 mm
<b>080</b>	200 mm	19 mm	6 mm	21,8 mm

3.1.7 HA31+SW



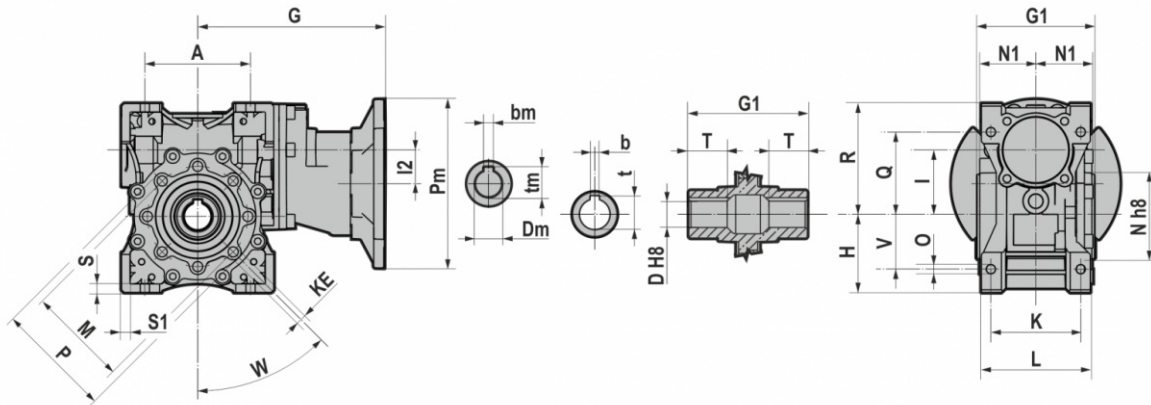
Dimensions Ø140 and 32 are in mm

	SW040		SW050		SW063		SW075		SW090	
	G4	G5	G4	G5	G4	G5	G4	G5	G4	G5
<b>063</b>	5,91	0,98	6,30	0,98	6,81	0,98	7,36	0,98	8,03	0,98
<b>071</b>	5,91	1,26	6,30	1,26	6,81	1,26	7,36	1,26	8,03	1,26
<b>080</b>	5,91	1,65	6,30	1,65	6,81	1,65	7,36	1,65	8,03	1,65

B5	Pm	Dm	bm	tm
<b>063</b>	140 mm	11 mm	4 mm	12,8 mm
<b>071</b>	160 mm	14 mm	5 mm	16,3 mm
<b>080</b>	200 mm	19 mm	6 mm	21,8 mm



3.1.8 NMRV-P/HW

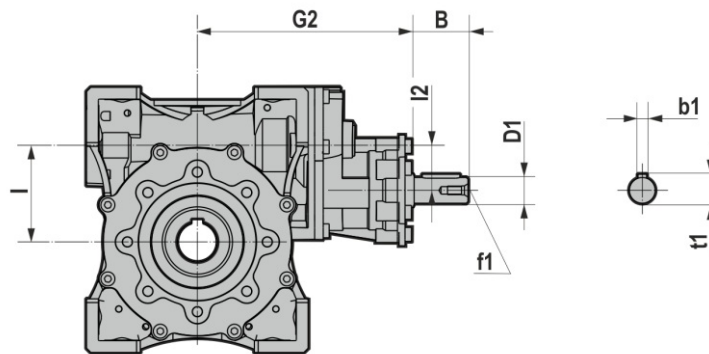


	HW030		HW040	
	56C/140TC		56C/140TC/180TC	
	NMRV-P 063	NMRV-P 075	NMRV-P 090	NMRV-P 110
A	3,94	4,72	5,51	6,69
G1	4,41	4,72	5,51	6,10
G6	7,48	8,17	9,11	10,02 (56C/140TC) 10,40 (180TC)
H	2,83	3,39	4,06	5,02
H1	2,83	3,50	4,06	5,02
I	2,48	2,95	3,54	4,33
I2	1,26	1,26	1,65	1,65
K	3,35	3,54 - 3,74	3,94	4,53
KE	M8*14	M8*14	M10*18	M10*18
L	4,06	4,41	5,12	5,67
M	3,74	4,53	5,12	6,50
N	3,15	3,74	4,33	5,12
N1	2,09	2,24	2,64	2,91
O	0,33	0,43	0,51	0,55
P	4,33	5,16	6,30	7,87
Q	3,15	3,66	4,02	4,92
R	4,21	4,84	5,67	6,59
S	0,31	0,39	0,43	0,57
S1	0,31	0,51	0,43	0,57
V	1,97	2,36	2,76	3,23 - 3,35
W	45	45	45	45

NMRV-P	D +0,001/0	b	t	T
063	1,125	0,250	1,24	1,42
075	1,250	0,250	1,37	1,57
090	1,375	0,313	1,52	1,77
110	1,625	0,375	1,80	1,97

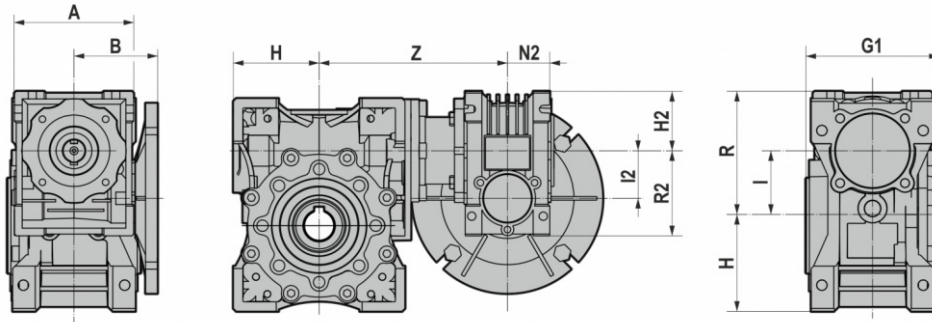
NEMA	Pm	Dm	tm	bm
48C	5,63	0,50	0,56	0,1250
56C	6,69	0,625	0,71	0,1875
140TC	6,69	0,875	0,97	0,1875
180TC	9,06	1,125	1,24	0,2500

3.1.9 NMRV-P/IHW



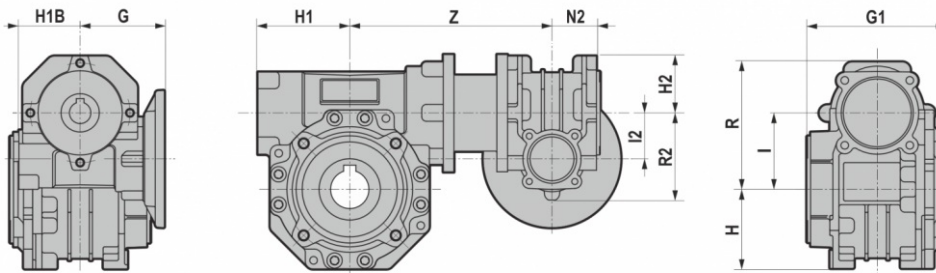
IHW040		
	NMRV-P 090	NMRV-P 110
<b>l</b>	3,54	4,33
<b>G2</b>	8,05	8,96
<b>l2</b>	1,65	1,65
<b>B</b>	1,57	1,97
<b>D1</b>	19mm j6	24mm j6
<b>b1</b>	6mm	8mm
<b>t1</b>	21,5mm	27mm
<b>f1</b>	M6	M8

3.1.10 NMRV+NMRV



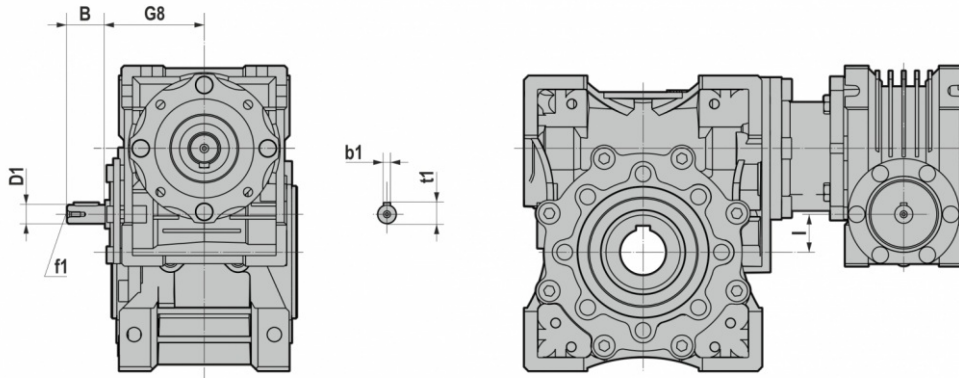
	A	G	G1	H	H1	I	R	H2	I2	N2	R2	Z
025-030	2,76	1,77	2,48	1,57	1,57	1,18	2,24	1,38	0,98	0,89	1,89	3,94
025-040	2,76	1,77	3,07	1,97	1,97	1,57	2,81	1,38	0,98	0,89	1,89	4,53
030-040	3,15	2,17	3,07	1,97	1,97	1,57	2,81	1,57	1,18	1,14	2,24	4,80
030-050	3,15	2,17	3,62	2,36	2,36	1,97	3,31	1,57	1,18	1,14	2,24	5,20
030-063	3,15	2,17	4,41	2,83	2,83	2,48	4,02	1,57	1,18	1,14	2,24	5,71
040-050	3,94	2,76	3,62	2,36	2,36	1,97	3,31	1,97	1,57	1,44	2,81	5,53
040-063	3,94	2,76	4,41	2,83	2,83	2,48	4,02	1,97	1,57	1,44	2,81	6,16
040-075	3,94	2,76	4,72	3,39	3,50	2,95	4,69	1,97	1,57	1,44	2,81	6,59
040-090	3,94	2,76	5,51	4,06	4,06	3,54	5,31	1,97	1,57	1,44	2,81	7,26
050-075	4,72	3,15	4,72	3,39	3,50	2,95	4,84	2,36	1,97	1,71	3,31	7,70
050-090	4,72	3,15	5,51	4,06	4,06	3,54	5,31	2,36	1,97	1,71	3,31	8,07
050-110	4,72	3,15	6,10	5,02	5,02	4,33	6,59	2,36	1,97	1,71	3,31	8,90
063-075	5,67	4,29	4,72	3,39	3,50	2,95	4,69	2,83	2,48	2,09	4,21	7,70
063-090	5,67	4,29	5,51	4,06	4,06	3,54	5,31	2,83	2,48	2,09	4,21	8,43
063-110	5,67	4,29	6,30	5,02	5,02	4,33	6,59	2,83	2,48	2,09	4,21	8,86
063-130	5,67	4,29	6,69	5,81	5,81	5,12	7,38	2,83	2,48	2,09	4,21	9,65
063-150	5,67	4,29	7,87	6,69	6,69	5,91	9,06	2,83	2,48	2,09	4,21	10,83

3.1.11 SW+SW



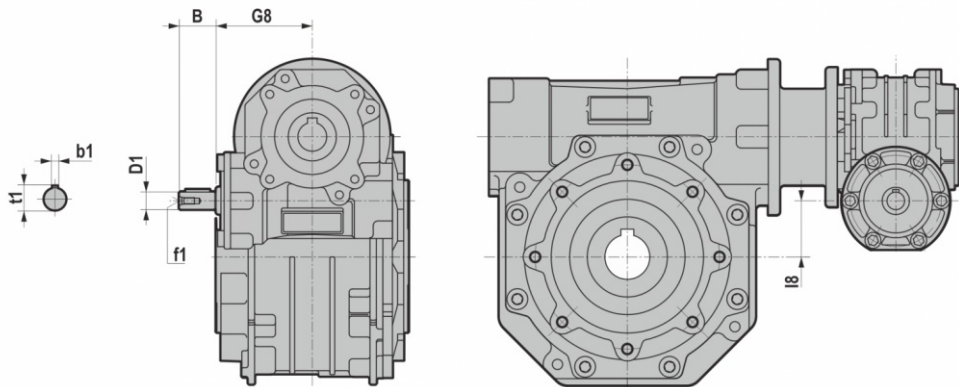
	H1B	G	G1	H	H1	I	R	H2	I2	N2	R2	Z
030-040	1,57	2,17	3,07	1,65	1,97	1,57	2,76	1,57	1,18	1,14	2,24	4,80
030-050	1,57	2,17	3,62	2,05	2,36	1,97	3,31	1,57	1,18	1,14	2,24	5,20
030-063	1,57	2,17	4,41	2,60	2,83	2,48	4,02	1,57	1,18	1,14	2,24	5,71
040-075	1,97	2,76	4,72	3,15	3,39	2,95	4,61	1,97	1,57	1,44	2,81	6,59
040-090	1,97	2,76	5,51	3,82	4,06	3,54	5,24	1,97	1,57	1,44	2,81	7,26
050-090	2,36	3,15	5,51	3,82	4,06	3,54	5,24	2,36	1,97	1,71	3,31	8,07
050-105	2,36	3,15	6,10	4,53	5,02	4,33	6,54	2,36	1,97	1,71	3,31	8,90

3.1.12 NRV+NMRV



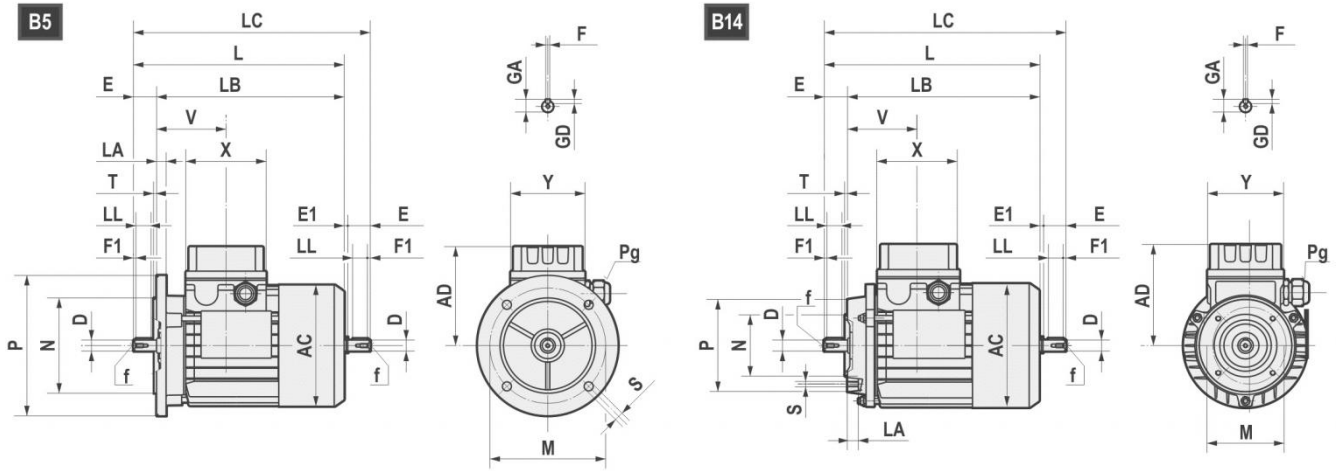
	B	D1	G8	l8	b1	fl	t1
<b>030-040</b>	0,79	0,375	2,01	0,39	0,094	-	0,42
<b>030-050</b>	0,79	0,375	2,01	0,79	0,094	-	0,42
<b>030-063</b>	0,79	0,375	2,01	1,30	0,094	-	0,42
<b>040-050</b>	0,91	0,500	2,36	0,39	0,125	-	0,55
<b>040-063</b>	0,91	0,500	2,36	0,91	0,125	-	0,55
<b>040-075</b>	0,91	0,500	2,36	1,38	0,125	-	0,55
<b>040-090</b>	0,91	0,500	2,36	1,97	0,125	-	0,55
<b>050-090</b>	1,18	0,625	2,91	1,57	0,188	1/4-20	0,70
<b>050-110</b>	1,18	0,625	2,91	2,36	0,188	1/4-20	0,70
<b>063-110</b>	1,57	0,750	3,54	1,85	0,188	1/4-20	0,83
<b>063-130</b>	1,57	0,750	3,54	2,64	0,188	1/4-20	0,83
<b>063-150</b>	1,57	0,750	3,54	3,43	0,188	1/4-20	0,83

3.1.13 ISW+SW



	B	D1	G8	l8	b1	fl	t1
<b>030-040</b>	0,79	0,375	2,01	0,39	0,094	-	0,42
<b>030-050</b>	0,79	0,375	2,01	0,79	0,094	-	0,42
<b>030-063</b>	0,79	0,375	2,01	1,30	0,094	-	0,42
<b>040-075</b>	0,91	0,500	2,36	1,38	0,125	-	0,55
<b>040-090</b>	0,91	0,500	2,36	1,97	0,125	-	0,55
<b>050-090</b>	1,18	0,625	2,91	1,57	0,188	1/4-20	0,70
<b>050-105</b>	1,18	0,625	2,91	2,36	0,188	1/4-20	0,70

3.2.1 Electric motors



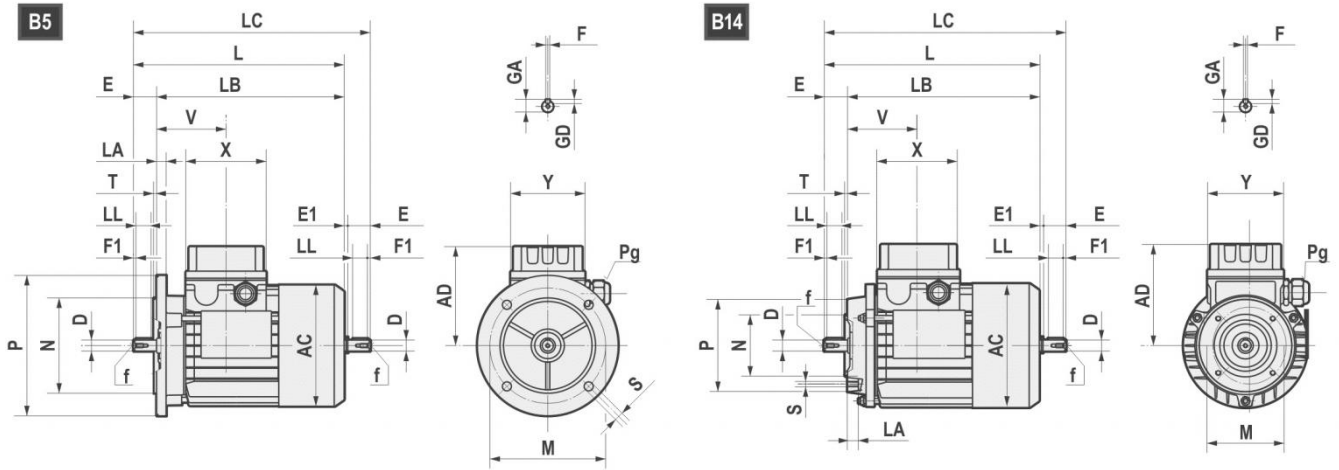
	AC	AD	L	LB	LC	X	Y	V	D	E	E1	f	F1	GA	F	GD
<b>063</b>	121	104	211	188	235,5	80	74	69	11 j6	23	1,5	M4x10	2,5	12,5	4	4
<b>071</b>	139	112	238,5	208,5	271	80	74	74,5	14 j6	30	2,5	M5x12.5	3	16	5	5
<b>080</b>	158	122	272,5 *(296)	232,5 *(256)	314 *(337)	80	74	78	19 j6	40	1,5	M6x16	5	21,5	6	6
<b>90S</b>	173	146	298 *(331)	248 *(281)	349,5 *(381)	98	98	89,5	24 j6	50	1,5	M8x19	5	27	8	7
<b>90L</b>	173	146	323 *(356)	273 *(306)	374,5 *(408)	98	98	89,5	24 j6	50	1,5	M8x19	5	27	8	7
<b>100</b>	191	155	368	308	431,5	98	98	97,5	28 j6	60	3,5	M10x22	7,5	31	8	7
<b>112</b>	211	170	382,5 *(408)	322,5 *(348)	447 *(472)	98	98	100	28 j6	60	3,5	M10x22	7,5	31	8	7
<b>132S</b>	249	195	452	372	536,5	118	118	115,5	38 k6	80	4	M12x28	10	41	10	8
<b>132L</b>	249	195	490	410	574,5	118	118	115,5	38 k6	80	4	M12x28	10	41	10	8
<b>160S</b>	249	195	520	410	/	118	118	115,5	42k6	100	/	M16x36	10	45	12	8

\*TP80B4, TP90S4, TP90L4, TP90S6, TP112M4, TP112M6

B5	M	N	P	LA	S	T
<b>063</b>	115	95	140	10	9	3
<b>071</b>	130	110	160	10	9,5	3,5
<b>080</b>	165	130	200	12	11	3,5
<b>090</b>	165	130	200	12	11	3,5
<b>100</b>	215	180	250	15	14	4
<b>112</b>	215	180	250	14,5	14	4
<b>132</b>	265	230	300	20	14	3,5
<b>160</b>	300	250	350	13	18,5	3,5

B14	M	N	P	LA	S	T
<b>063</b>	75	60	90	10	M5	2,5
<b>071</b>	85	70	105	10,5	M6	2,5
<b>080</b>	100	80	120	10,5	M6	3
<b>090</b>	115	95	140	11,5	M8	3
<b>100</b>	130	110	160	15	M8	3,5
<b>112</b>	130	110	160	11,5	M8	3,5
<b>132</b>	165	130	200	20,5	M10	3,5
<b>160</b>	215	180	250	-	M12	4

All dimensions are in mm



		AC	AD	L	LB	X	D	E	f	GA	F	GD	LL	Pg	
<b>160M</b>	2-4-6	314	251	600	490	158	42	110	M16	45	12	8	90	2-M40x1,5	1-M16x1,5
<b>160L</b>	2-4-6	314	251	645	535	158	42	110	M16	45	12	8	90	2-M40x1,5	1-M16x1,5
<b>180M</b>	2-4	355	267	680	570	158	48	110	M16	51,5	14	9	100	2-M40x1,5	1-M16x1,5
<b>180L</b>	4-6	355	267	720	610	158	48	110	M16	51,5	14	9	100	2-M40x1,5	1-M16x1,5
<b>200L</b>	2-4-6	397	300	785	675	187	55	110	M20	59	16	10	100	2-M50x1,5	1-M16x1,5
<b>225S</b>	4	446	325	820	680	187	60	140	M20	64	18	11	125	2-M50x1,5	1-M16x1,5
<b>225M</b>	2	446	325	815	705	187	55	110	M20	59	16	10	100	2-M50x1,5	1-M16x1,5
<b>225M</b>	4-6	446	325	845	705	187	60	140	M20	64	18	11	125	2-M50x1,5	1-M16x1,5
<b>250M</b>	2-4-6	485	360	910	770	238	60	140	M20	64	18	11	125	2-M63x1,5	1-M16x1,5
<b>250M</b>	2-4-6	485	360	910	770	238	65	140	M20	69	18	11	125	2-M63x1,5	1-M16x1,5
<b>280S</b>	2-4-6	547	390	970	830	238	65	140	M20	69	18	11	125	2-M63x1,5	1-M16x1,5
<b>280S</b>	2-4-6	547	390	970	830	238	75	140	M20	79,5	20	12	125	2-M63x1,5	1-M16x1,5
<b>280M</b>	2-4-6	547	390	1025	885	238	65	140	M20	69	18	11	125	2-M63x1,5	1-M16x1,5
<b>280M</b>	2-4-6	547	390	1025	885	238	75	140	M20	79,5	20	12	125	2-M63x1,5	1-M16x1,5

B5	M	N	P	LA	S	T
<b>160</b>	300	250	350	13	19	5
<b>180</b>	300	250	350	15	19	5
<b>200</b>	350	300	400	17	19	5
<b>225</b>	400	350	450	20	19	5
<b>250</b>	500	450	550	22	19	5
<b>280</b>	500	450	550	22	19	5

All dimensions are in mm

## 3.2.2 Nominal power - [HP]

	63A	63B	63C	71A	71B	71C	80A			80B		
Poles	TS	TS	TS	TS	TS	TS	TS	TH	TP	TS	TH	TP
2	0,24	0,34	0,5	0,5	0,75	-	-	1	1	-	1,5	1,5
4	0,16	0,24	0,3	0,34	0,5	0,75	0,75	-	-	-	1	1
6	0,12	0,16	0,2	0,24	0,34	0,5	0,5	-	-	0,75	-	-

	90S		90L		100LR	100L	100LA		112MR	112MS	112MA	112M
Poles	TH	TP	TH	TP	TP	TP	TH	TP	TP	TP	TH	TP
2	2	2	3	3	-	4	4	-	-	-	5,4	5,4
4	1,5	1,5	2	2	-	-	3	3	3	4	5,4	5,4
6	-	1	1	-	1,5	2	1,5	-	-	-	3	3

	112MR	112MS	132S	132SA	132MS	132SB	132M	132MA		132MB	
Poles	TP	TP	TP	TH	TP	TH	TP	TH	TP	TH	TP
2	-	-	7,5	7,5	-	10	10	12,5	-	-	-
4	3	4	-	7,5	7,5	-	10	10	-	12,5	-
6	-	-	4	4	-	-	-	5,4	5,4	7,5	7,5

	160M	160MA	160MB	160L	160LA	180M	180L
Poles	TP	TP	TP	TP	TP	TP	TP
2	-	15	20	25	-	30	-
4	-	15	-	-	20	25	30
6	10	-	-	15	-	-	20

	200L	200LA	200LB	225S	225M	250M	280S	280M
Poles	TP	TP	TP	TP	TP	TP	TP	TP
2	-	40	50	-	-	-	-	-
4	40	-	-	50	60	74	101	121
6	-	25	30	-	-	-	-	-

### 3.3.1 Weight NMRV [lb]

The values reported in the tables are referred to the weight of the gearbox with lubricant excluded. Weight without motor.

NMRV - NMRV-P (- lb)										NRV - NRV-P (- lb)								
025	030	040	050	063	075	090	110	130	150	030	040	050	063	075	090	110	130	150
1,5	2,6	5	7,7	13,7	19,8	28,7	46,3	95,9	169,8	2,2	4,4	7,3	12,8	19,4	28,7	46,3	95,9	169,8

	HA31+NMRV040 (- lb)				HA31+NMRV050 (- lb)			
<b>063</b>	9,3				11,9			
<b>071</b>	9,5				12,1			
<b>080</b>	9,9				12,6			

056/063/071/080		063/071/080/090		NMRV-P090/IHW040 (- lb)	NMRV-PT10/IHW040 (- lb)
NMRV-P063/HW030 (- lb)	NMRV-P075/HW030 (- lb)	NMRV-P090/HW040 (- lb)	NMRV-PT10/HW040 (- lb)	32,2	54
15,6	22	31,2	53,8		

NMRV+NMRV - NMRV+NMRV-P - NMRV-P+NMRV - NMRV-P+NMRV-P (- lb)													
025-030	025-040	030-040	030-050	030-063	040-050	040-063	040-075	040-090	050-090	050-110	063-110	063-130	063-150
4,2	6,6	7,7	10,4	16,3	12,8	18,7	24,9	33,7	36,4	84,9	90,8	119,5	198,9

NRV+NMRV - NRV+NMRV-P - NRV-P+NMRV - NRV-P+NMRV-P (- lb)												
030-040	030-050	030-063	040-050	040-063	040-075	040-090	050-090	050-110	063-110	063-130	063-150	
7,7	10,4	16,3	12,8	18,7	24,9	33,7	36,4	84,9	90,8	119,5	198,9	

### 3.3.2 Weight SW [lb]

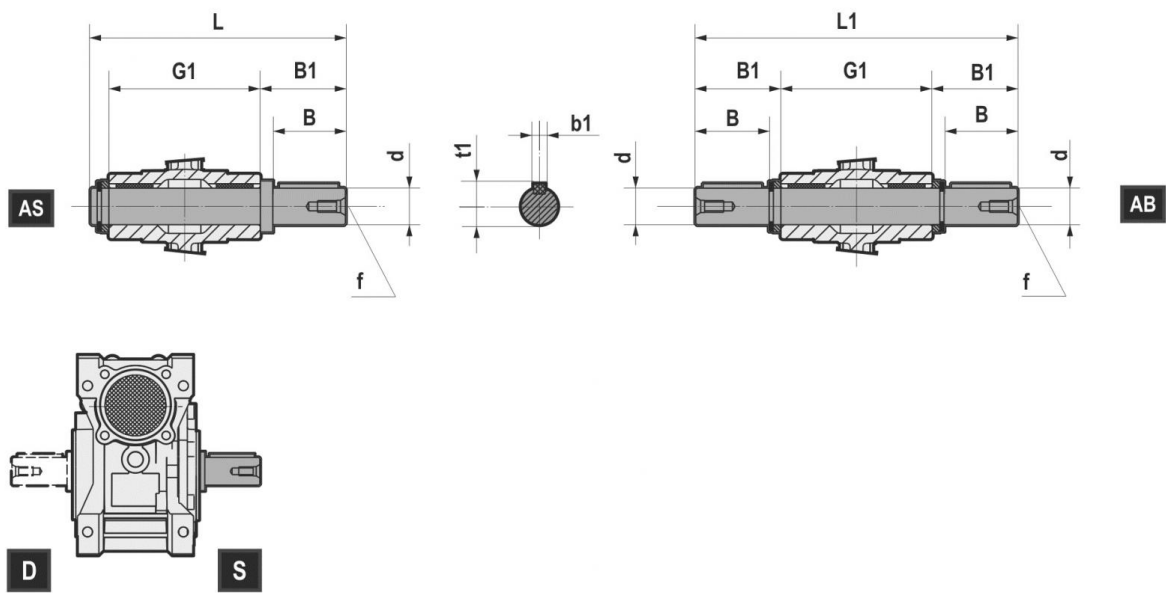
The values reported in the tables are referred to the weight of the gearbox with lubricant excluded. Weight without motor.

SW (- lb)							ISW (- lb)						
030	040	050	063	075	090	105	030	040	050	063	075	090	105
2,6	5	7,7	13,7	19,8	28,7	46,3	2,2	4,4	7,3	12,8	19,4	28,7	46,3

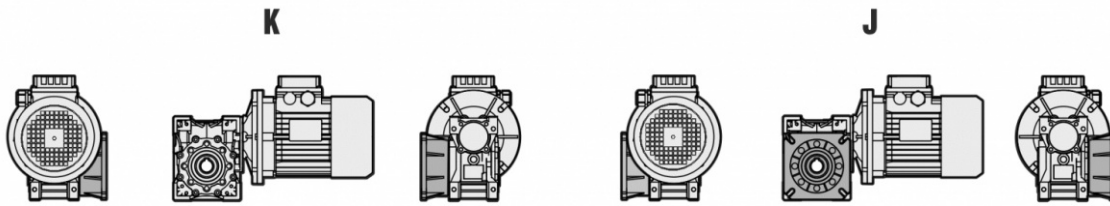
	HA31+SW040 (- lb)	HA31+SW050 (- lb)	HA31+SW063 (- lb)	HA31+SW075 (- lb)	HA31+SW090 (- lb)
<b>063</b>	9,3	11,9	17,9	24	32,8
<b>071</b>	9,5	12,1	18,1	24,2	33,1
<b>080</b>	9,9	12,6	18,5	24,7	33,5

SW+SW (- lb)						ISW+SW (- lb)					
030-040	030-050	030-063	040-075	040-090	050-105	030-040	030-050	030-063	040-075	040-090	050-105
7,7	10,4	16,3	24,9	33,7	84,9	7,7	10,4	16,3	24,9	33,7	84,9

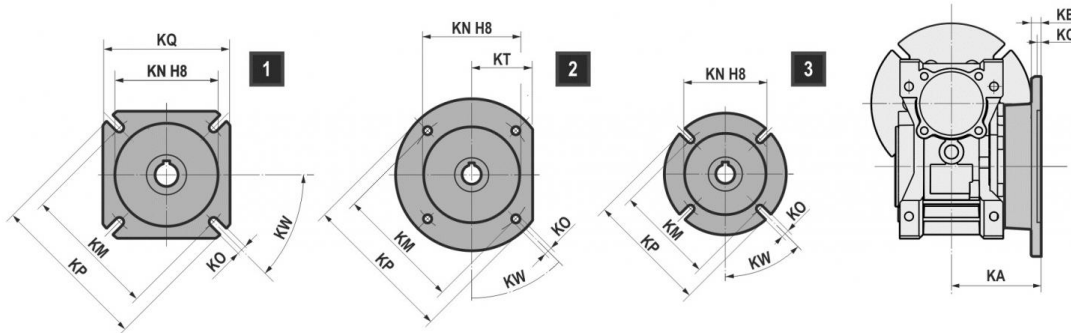




		$d$ +0/-0.001	B	B1	G1	L	L1	f	b1	t1
NMRV	025	0,500	0,90	1,00	1,97	3,19	-	-	0,125	0,55
NMRV SW	030	0,625	1,57	1,67	2,48	4,41	5,82	1/4-20	0,1875	0,70
NMRV SW	040	0,750	1,97	2,09	3,07	5,43	7,25	1/4-20	0,1875	0,83
NMRV SW	050	1	1,97	2,11	3,62	6,02	7,84	3/8-16	0,250	1,11
NMRV-P SW	063	1,125	2,36	2,50	4,41	7,20	9,41	3/8-16	0,250	1,23
NMRV-P SW	075	1,250	2,76	2,89	4,72	7,56	10,51	1/2-13	0,250	1,36
NMRV-P SW	090	1,375	3,15	3,33	5,51	9,21	12,13	1/2-13	0,3125	1,51
SW	105	1,625	3,54	3,72	6,10	9,80	13,54	5/8-11	0,375	1,79
NMRV-P	110	1,625	3,54	3,72	6,10	9,80	13,54	5/8-11	0,375	1,79
NMRV	130	1,750	3,54	3,72	6,69	10,43	14,17	5/8-11	0,375	1,92
NMRV	150	2,000	3,94	4,13	7,87	11,69	16,14	3/4-10	0,500	2,22



Unless specified otherwise, the reduction unit is supplied with the flange in pos. J referred to position B3.



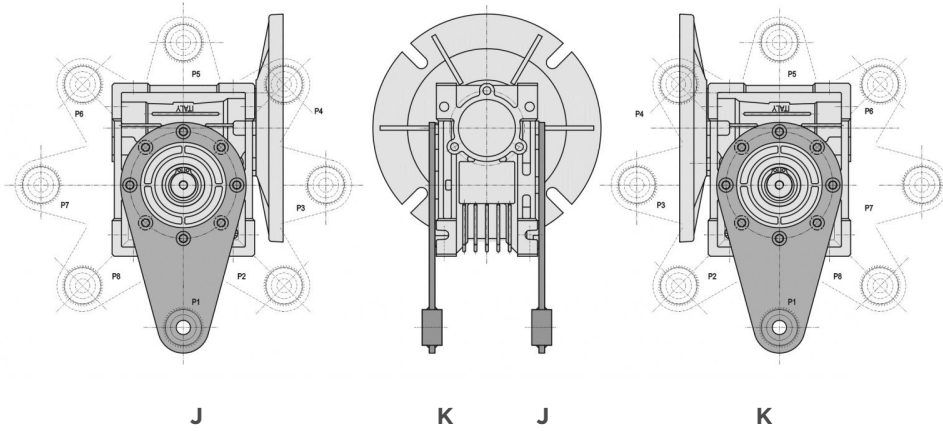
	NMRV - SW	NMRV - SW	NMRV - SW	NMRV-P - SW	NMRV-P - SW	NMRV-P - SW	SW	NMRV-P	NMRV	NMRV
	030	040	050	063	075	090	105	110	130	150
FA	1	1	1	1	1	1	1	1	1	1
FB	-	1	1	1	3	2	1	1	-	-
FC	-	2	2	2	-	3	-	-	-	-
FD	-	2	2	2	-	1	-	-	-	-
FE	-	-	-	3	-	-	-	-	-	-

		FA									FB									
		KA	KB	KC	KN	KM	KO	KP	KQ	KW	KA	KB	KC	KN	KM	KO	KP	KQ	KT	KW
NMRV - SW	030	2,15	0,24	0,16	1,97	2,68	0,26	3,15	2,76	45	-	-	-	-	-	-	-	-	-	-
NMRV - SW	040	2,64	0,28	0,16	2,36	3,15	0,35	4,33	3,74	45	3,82	0,28	0,16	2,36	3,15	0,35	4,33	3,74	-	45
NMRV - SW	050	3,54	0,35	0,2	2,76	3,54	0,43	4,92	4,33	45	4,72	0,35	0,2	2,76	3,54	0,43	4,92	4,33	-	45
NMRV-P - SW	063	3,23	0,39	0,24	4,53	5,91	0,43	7,09	5,59	45	4,41	0,39	0,24	4,53	5,91	0,43	7,09	5,59	-	45
NMRV-P - SW	075	4,37	0,51	0,24	5,12	6,5	0,55	7,87	6,69	45	3,54	0,51	0,24	4,33	5,12	0,43	6,3	-	-	45
NMRV-P - SW	090	4,37	0,51	0,24	5,98	6,89	0,55	8,27	7,87	45	4,8	0,71	0,24	7,09	8,46	0,55	9,84	-	4,13	45
SW	105	5,16	0,59	0,24	6,69	9,06	0,55	11,02	10,24	45	7,09	0,59	0,24	6,69	9,06	0,55	11,02	10,24	-	45
NMRV-P	110	5,16	0,59	0,24	6,69	9,06	0,55	11,02	10,24	45	7,09	0,59	0,24	6,69	9,06	0,55	11,02	10,24	-	45
NMRV	130	5,51	0,59	0,24	7,09	10,04	0,63	12,6	11,42	22,5	-	-	-	-	-	-	-	-	-	-
NMRV	150	6,1	0,59	0,24	7,09	10,04	0,63	12,6	11,42	22,5	-	-	-	-	-	-	-	-	-	-

		FC									FD									
		KA	KB	KC	KN	KM	KO	KP	KT	KW	KA	KB	KC	KN	KM	KO	KP	KQ	KT	KW
NMRV - SW	040	3,15	0,35	0,2	3,74	4,53	0,37	5,51	2,2	45	2,28	0,47	0,2	3,15	3,94	0,35	4,72	-	1,97	45
NMRV - SW	050	3,5	0,39	0,2	4,33	5,12	0,37	6,3	2,6	45	2,83	0,57	0,2	3,74	4,53	0,43	5,51	-	2,36	45
NMRV-P - SW	063	3,86	0,39	0,2	5,12	6,5	0,43	7,87	3,15	45	4,21	0,39	0,2	5,12	6,5	0,43	7,87	-	-	45
NMRV-P - SW	090	4,33	0,67	0,24	5,12	6,5	0,43	7,87	-	45	5,94	0,51	0,24	5,98	6,89	0,55	8,27	7,87	-	45

		FE							
		KA	KB	KC	KN	KM	KO	KP	KW
NMRV-P - SW	063	3,17	0,65	0,2	4,33	5,12	0,43	6,3	45

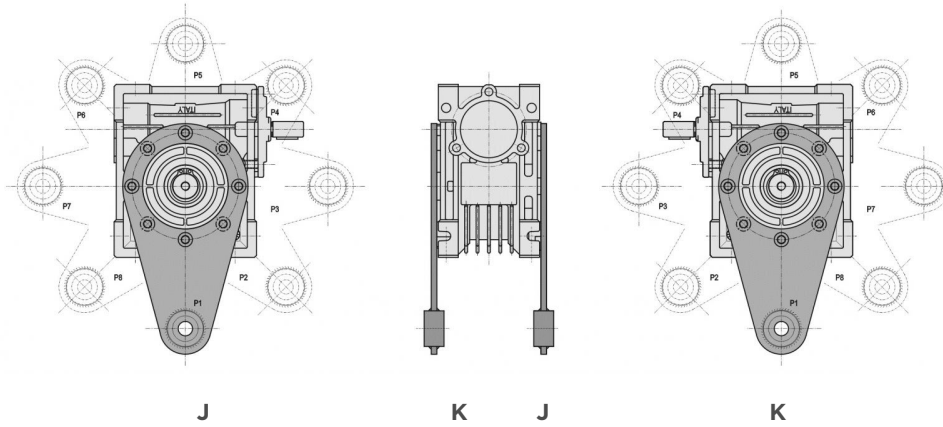
4.3.1 Torque arm: Mounting position



NMRV NMRV-P NMRL	P1		P2		P3		P4		P5		P6		P7		P8	
	J	K	J	K	J	K	J	K	J	K	J	K	J	K	J	K
025			/	/	NO	NO	/	/			/	/			/	/
030			NO	NO	NO	NO	NO	NO								
040	NO NMRL		NO	NO	NO	NO	NO	NO	NO NMRL		NO NMRL		NO NMRL		NO NMRL	
050			NO	NO	NO	NO	NO	NO			NO	NO				
063					NO	NO	NO	NO								
075			NO	NO	NO	NO	NO	NO								
090					NO	NO	NO	NO								
110					NO	NO	NO	NO								
130					NO	NO	NO	NO								
150			NO	NO	NO	NO	NO	NO	NO	NO	NO	NO			NO	NO

SW SWL	P1		P2		P3		P4		P5		P6		P7		P8	
	J	K	J	K	J	K	J	K	J	K	J	K	J	K	J	K
030			NO	NO	NO	NO	NO	NO								
040	NO SWL		NO	NO	NO	NO	NO	NO	NO SWL		NO SWL		NO SWL		NO SWL	
050			NO	NO	NO	NO	NO	NO			NO	NO				
063					NO	NO	NO	NO								
075			NO	NO	NO	NO	NO	NO								
090					NO	NO	NO	NO								
105					NO	NO	NO	NO								

(/) Not available



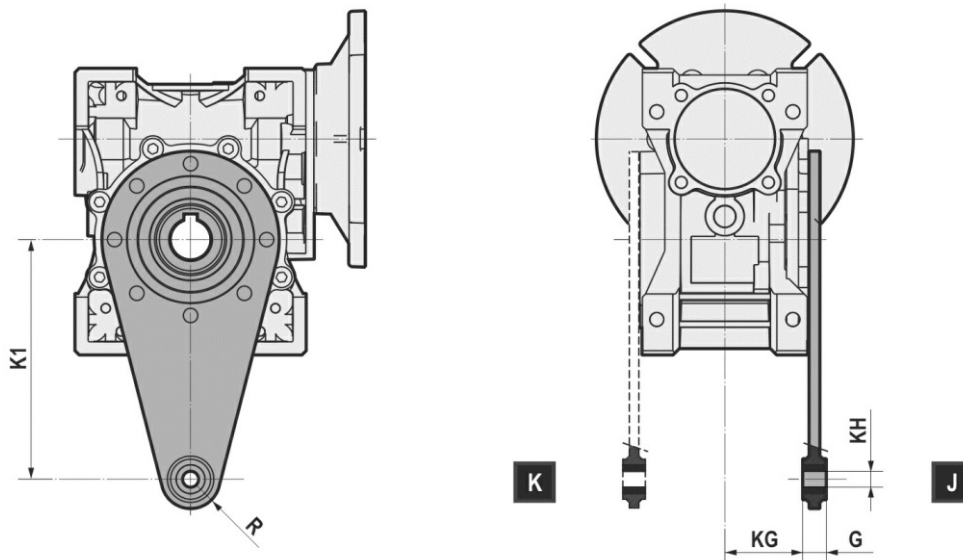
NRV NRV-P NRL	P1		P2		P3		P4		P5		P6		P7		P8		
	J	K	J	K	J	K	J	K	J	K	J	K	J	K	J	K	
030			NO	NO			NO	NO									
040	NO NRL		NO NRL	NO	NO NRL	NO	NO	NO	NO NRL		NO NRL		NO NRL		NO NRL		NO NRL
050			NO	NO			NO	NO			NO	NO					
063							NO	NO									
075							NO	NO									
090							NO	NO									
110							NO	NO									
130							NO	NO									
150			NO	NO			NO	NO	NO	NO	NO	NO				NO	NO

ISW SWL	P1		P2		P3		P4		P5		P6		P7		P8		
	J	K	J	K	J	K	J	K	J	K	J	K	J	K	J	K	
030			NO	NO	NO	NO	NO	NO									
040	NO SWL		NO	NO	NO	NO	NO	NO	NO SWL		NO SWL		NO SWL		NO SWL		NO SWL
050			NO	NO	NO	NO	NO	NO			NO	NO					
063					NO	NO	NO	NO									
075			NO	NO	NO	NO	NO	NO									
090					NO	NO	NO	NO									
105					NO	NO	NO	NO									

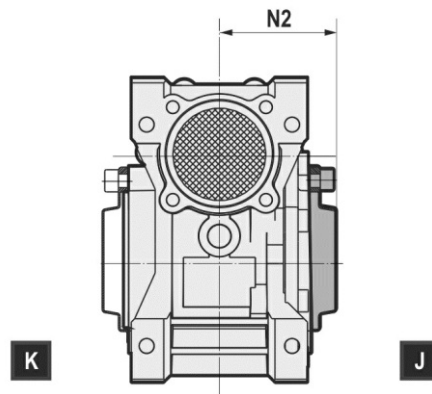
(/) Not available

For information on torque arm mounting positions on combined worm gear reducers and worm gear reducers with pre-stage units, please contact our Technical Service.

## 4.3.2 Torque arm: Dimensions



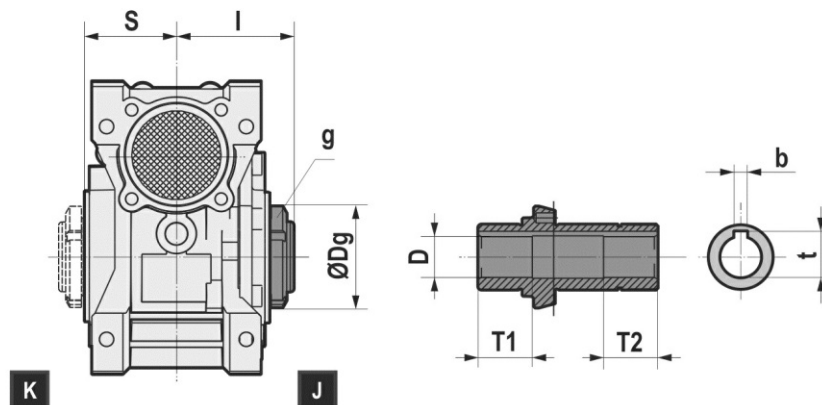
NMRV NMRV-P SW	025	030	040	050	063	075	090	105	110	130	150
K1	2,76	3,35	3,94	3,94	5,91	7,87	7,87	9,84	9,84	9,84	9,84
G	0,55	0,55	0,55	0,55	0,55	0,98	0,98	1,18	1,18	1,18	1,18
KG	0,69	0,94	1,24	1,52	1,93	1,87	2,26	2,44	2,44	2,72	3,31
KH	0,31	0,31	0,39	0,39	0,39	0,79	0,79	0,98	0,98	0,98	0,98
R	0,59	0,59	0,71	0,71	0,71	1,18	1,18	1,38	1,38	1,38	1,38



NMRV NMRV-P SW	N2
030	1,65
040	1,97
050	2,26
063	2,70
075	2,89
090	3,37
105	3,70
110	3,70
130	4,02
150	4,61

## 4.5.1 Dimensions

The torque limiter is available for worm gearbox type NMRL050, SWL040, SWL050, SWL063, SWL075, SWL090 in J position only. The MTV torque limiter is univocally supplied for every gear unit with the hollow output shaft diameter equal to dimension D shown in the table. Different diameters could be provided upon request, after technical and manufacturing control. Upon request it's possible to assemble an output solid shaft kit, different from the standard one available in the Catalogue.



	NMRL			
	050	063	075	090
I	63,5	74	78,5	89,5
S	46	56	60	70
Dg	56	62	68	80
g	M40x1,5	M45x1,5	M50x1,5	M60x2
b	8	8	8	10
t	28,3	28,3	31,3	38,3
D	Ø25	Ø25	Ø28	Ø35
T1	33	37	40	45
T2	33	37	40	45

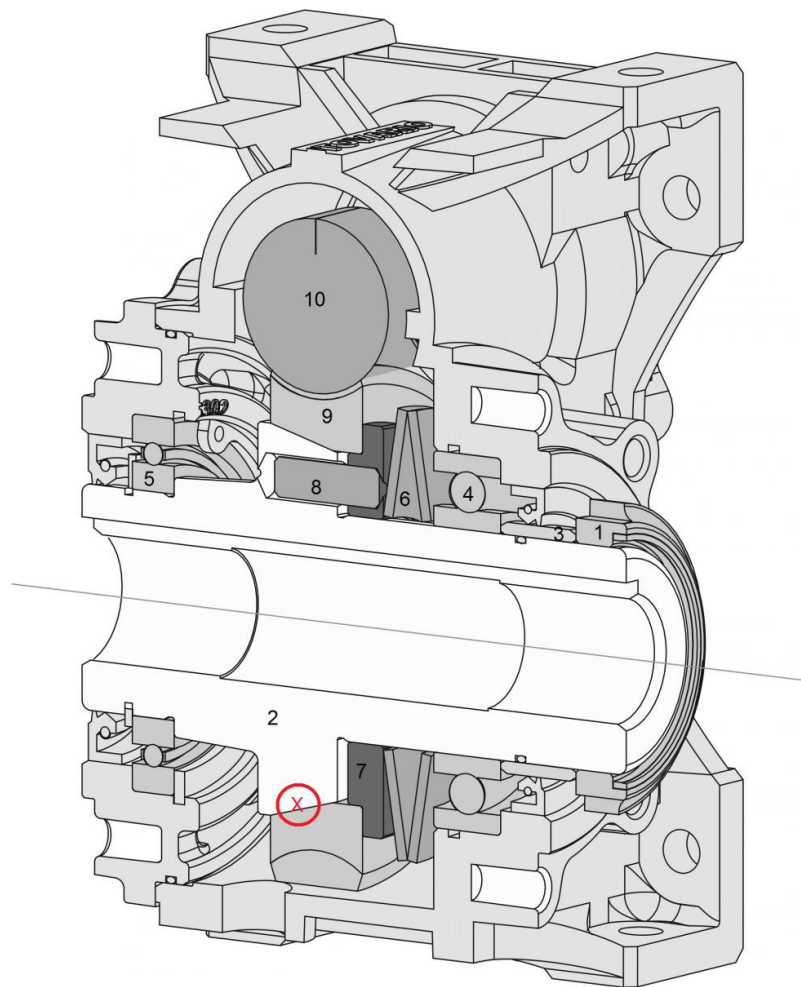
	SWL				
	040	050	063	075	090
I	55	63,5	74	78,5	89,5
S	39	46	56	60	70
Dg	44	56	62	68	80
g	M30x1,5	M40x1,5	M45x1,5	M50x1,5	M60x2
b	6	8	8	8	10
t	20,8	28,3	28,3	31,3	38,3
D	Ø18	Ø25	Ø25	Ø28	Ø35
T1	28	33	35	40	45
T2	28	33	37	40,5	45

### 4.5.2 Operating principle

In this mechanical device the transmission of movement takes place by means of friction between the driving surface (input shaft (10)) and the driven surface (wormwheel (9)). These are subject of a determined compression created by the plate (7) which is generated by two belleville washers (6), arranged in series. The belleville washers action is generated by the bushing (3), driven by the external locking ring nut (1) which is screwed on the output shaft. The shift (X) is guaranteed by the connection between the two conical elements of the hub (2) and the worm wheel.

The transmission of movement has a standard operation up to a maximum admissible torque value (slip torque); over this value the torque limiter starts to work generating a slip between the worm wheel, which continues to spin conducted by the input shaft, and the hub which remains still. Over the slip torque expected from the regulation, the torque limiter is still "on hold": it transmits the set value and it doesn't transmit higher values. This ensures to the machine to restart automatically without external action.

For safety reasons it isn't recommended to install this device in lifting equipment: in case of overloads or irregularities, during the shift, the weight could not be maintained in suspension.





### 4.5.3 Description

The torque limiter is a mechanical device designed to protect the transmission from movement caused by accidental overloads or irregularities. It is applied to the output of the worm gear reducers and it works as an internal friction applied on the output shaft, which can be adjusted manually through an external locking ring nut. Compared to electronic or external mechanical devices, this solution presents the following advantages:

- Limited additional dimensions compared to the version without the torque limiter;
- Hollow output shaft without changes in terms of diameter compared to the standard version;
- Quick action directly on the transmission that must be protected;
- It has been designed for oil-bath operation, therefore wear-free and reliable;
- Manual adjustment of the slip torque;
- Over the slip torque, the torque limiter is still “on hold”, ensuring the automatic machine restart without external intervention;
- Using the torque limiter, it 's possible also to rotate the gearbox shaft by loosening the external locking ring nut, for example in case of mechanical locks due to worm irreversibility.

**The torque limiter device must to be installed as a protection system for accidental events and not as protection of wrong gearbox selection** (for example after selecting a gearbox with a low service factor compared with the real needs of the application).

The torque limiter is available for worm gear reducers type NMRL050 / NMRL-P063-075-090 / SWL040-050-063-075-090 and it is applicable in all combined unit configurations provided in the catalogue, usually on the last gearbox. The torque limiter is supplied on the gearbox output shaft in J or K position.

### 4.5.4 Slip torque setting

A slip torque setting is easily adjustable from the outside through the rotation of the locking ring nut, characterized by 4 marks to define the number of turns (each mark is equivalent to  $\frac{1}{4}$  of a turn). The device is preliminary set during the assembly phase. The following factors may affect the setting: temperature and period of adjustment. It is therefore recommended, during the installation, to actually verify the slip torque limit, in according to the real needs of the application.

**The standard direction of rotation for the registration of the ring nut is clockwise. Looking frontally from the ring nut side, the torque limiter is in J position when the motor position is on the right side; with the motor on left side the torque limiter is in K position.**

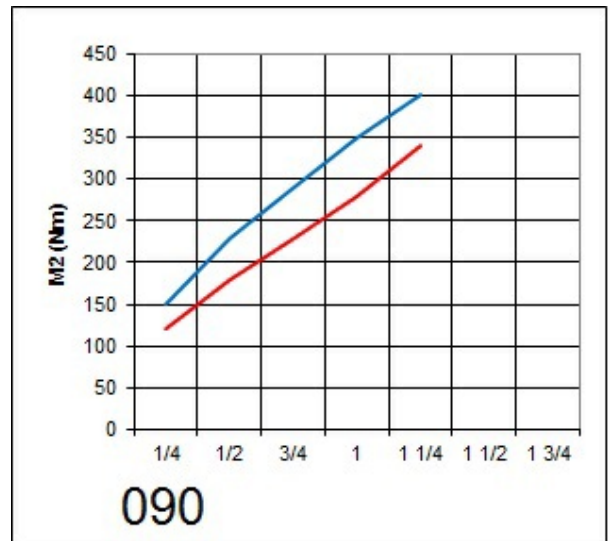
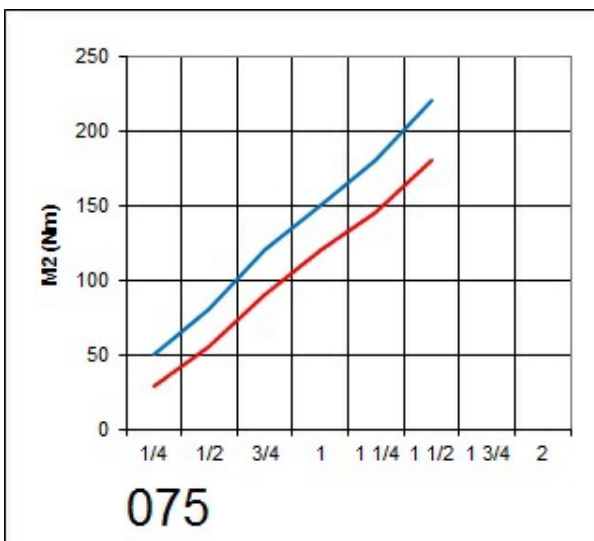
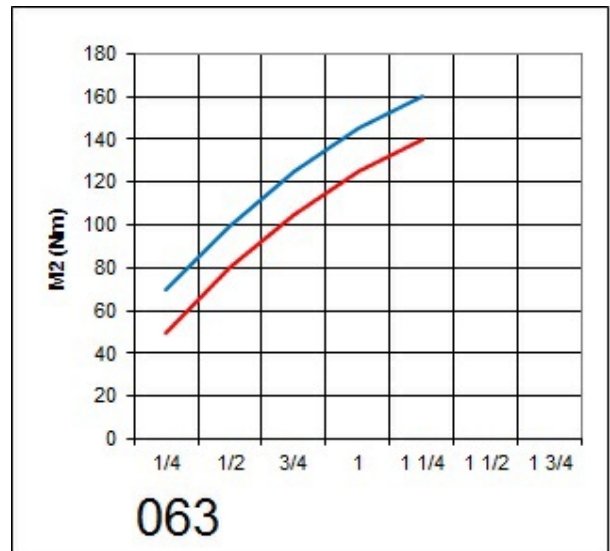
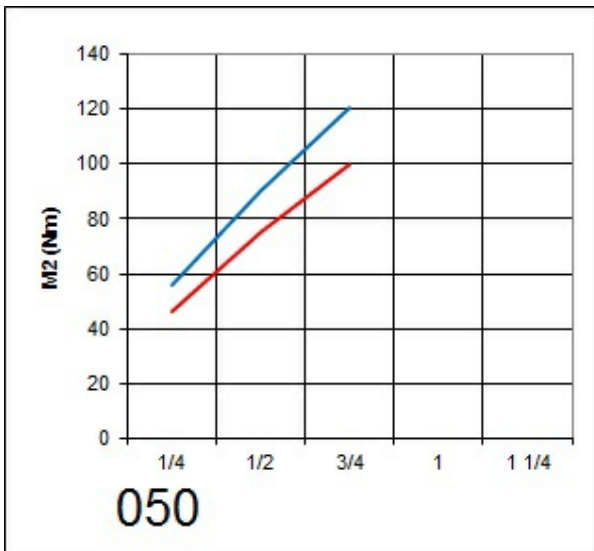
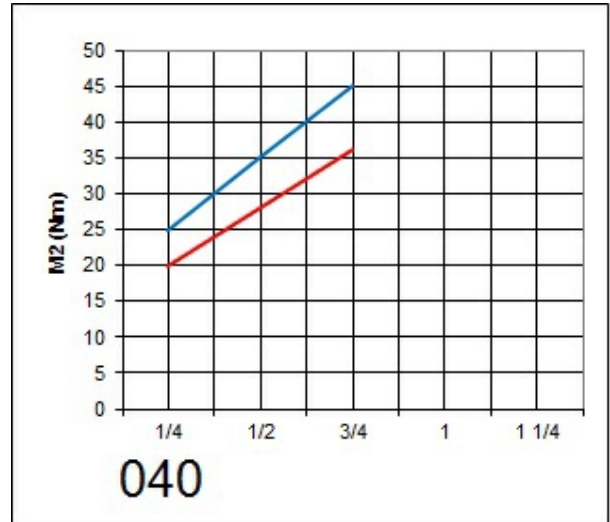
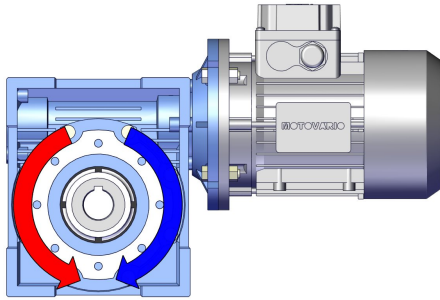
It's recommended for long stops, even if the machine restarts automatically, to return the ring nut to its original position and to set it again.

As previously mentioned, for each reducers size (040-050-063-075-090) the slip torque range depends by the ratio and the direction of rotation of the gearbox, which affects the tolerances between the two conical components that generate the slip (there is an axial component which tends to approach or move their away). Therefore in the setting diagrams are shown two lines which represent the approximate limits within the provided slip torque could change. The slip torque setting must be always checked afterward to determine if the number of turns of the ring nut guarantees the desired slip torque value.

	Ring nut rotation
<b>040</b>	1/2 (turn)
<b>050</b>	1/2 (turn)
<b>063</b>	3/4 (turn)
<b>075</b>	1 (turn)
<b>090</b>	1 (turn)

4.5.5 Adjustment graphs

IMP: the values (1/4, 1/2, 3/4, 1, 1 1/4 ...) correspond to the center of the column.



0.12 HP

Output speed [rpm]	Service factor sf	Output torque [in-lbs]	Ratio Stage 1	Ratio Stage 2	Exact ratio i	Max. torque [in-lbs]	OHL Output shaft [lbs]	Gearmotor		Gear Reducer	
								Reducer	Motor	Reducer	NEMA C-input
350.0	8.5	9	-	-	5.00	160	125	NMRV030	TS56B4	-	-
350.0	4.9	5	-	-	5.00	92	92	NMRV025	TS56B4	-	-
233.0	5.8	6	-	-	7.50	160	143	NMRV030	TS56B4	-	-
233.0	3.4	3	-	-	7.50	92	105	NMRV025	TS56B4	-	-
175.0	4.5	4	-	-	10.00	160	157	NMRV030	TS56B4	-	-
175.0	2.8	3	-	-	10.00	101	115	NMRV025	TS56B4	-	-
117.0	3.2	3	-	-	15.00	160	180	NMRV030	TS56B4	-	-
117.0	2.0	2	-	-	15.00	101	132	NMRV025	TS56B4	-	-
88.0	2.4	2	-	-	20.00	151	198	NMRV030	TS56B4	-	-
88.0	1.6	2	-	-	20.00	101	146	NMRV025	TS56B4	-	-
70.0	2.5	2	-	-	25.00	185	213	NMRV030	TS56B4	-	-
58.0	2.1	2	-	-	30.00	177	226	NMRV030	TS56B4	-	-
58.0	1.3	1	-	-	30.00	109	167	NMRV025	TS56B4	-	-
44.0	1.5	2	-	-	40.00	160	249	NMRV030	TS56B4	-	-
44.0	1.0	1	-	-	40.00	109	183	NMRV025	TS56B4	-	-
35.0	2.6	3	-	-	50.00	353	517	NMRV040	TS56B4	-	-
35.0	1.2	1	-	-	50.00	151	268	NMRV030	TS56B4	-	-
29.0	2.1	2	-	-	60.00	319	549	NMRV040	TS56B4	-	-
22.0	1.5	2	-	-	80.00	277	604	NMRV040	TS56B4	-	-
18.0	1.2	1	-	-	100.00	244	651	NMRV040	TS56B4	-	-

0.16 HP

Output speed [rpm]	Service factor sf	Output torque [in-lbs]	Ratio Stage 1	Ratio Stage 2	Exact ratio i	Max. torque [in-lbs]	OHL Output shaft [lbs]	Gearmotor		Gear Reducer	
								Reducer	Motor	Reducer	NEMA C-input
350.0	11.8	12	-	-	5.00	303	240	NMRV040	TS63A4	-	-
350.0	6.4	6	-	-	5.00	160	125	NMRV030	TS63A4	-	-
233.0	9.4	9	-	-	7.50	353	274	NMRV040	TS63A4	-	-
233.0	4.4	4	-	-	7.50	160	143	NMRV030	TS63A4	-	-
175.0	7.6	8	-	-	10.00	370	302	NMRV040	TS63A4	-	-
175.0	3.3	3	-	-	10.00	160	157	NMRV030	TS63A4	-	-
117.0	5.2	5	-	-	15.00	370	346	NMRV040	TS63A4	-	-
117.0	2.4	2	-	-	15.00	160	180	NMRV030	TS63A4	-	-
88.0	4.0	4	-	-	20.00	361	381	NMRV040	TS63A4	-	-
88.0	1.8	2	-	-	20.00	151	198	NMRV030	TS63A4	-	-
70.0	3.0	3	-	-	25.00	328	410	NMRV040	TS63A4	-	-
70.0	1.9	2	-	-	25.00	185	213	NMRV030	TS63A4	-	-
58.0	3.3	3	-	-	30.00	403	436	NMRV040	TS63A4	-	-
58.0	1.6	2	-	-	30.00	177	226	NMRV030	TS63A4	-	-
44.0	4.4	4	-	-	40.00	689	658	NMRV050	TS63A4	-	-
44.0	2.5	2	-	-	40.00	378	479	NMRV040	TS63A4	-	-
44.0	1.2	1	-	-	40.00	160	249	NMRV030	TS63A4	-	-

## 0.16 HP

Output speed [rpm]	Service factor sf	Output torque [in-lbs]	Ratio Stage 1	Ratio Stage 2	Exact ratio i	Max. torque [in-lbs]	OHL Output shaft [lbs]	Gearmotor		Gear Reducer	
								Reducer	Motor	Reducer	NEMA C-input
35.0	3.5	4	-	-	50.00	647	709	NMRV050	TS63A4	-	-
35.0	1.9	2	-	-	50.00	353	517	NMRV040	TS63A4	-	-
29.0	2.9	3	-	-	60.00	605	753	NMRV050	TS63A4	-	-
29.0	1.6	2	-	-	60.00	319	549	NMRV040	TS63A4	-	-
22.0	2.2	2	-	-	80.00	546	829	NMRV050	TS63A4	-	-
22.0	1.1	1	-	-	80.00	277	604	NMRV040	TS63A4	-	-
18.0	1.6	2	-	-	100.00	462	893	NMRV050	TS63A4	-	-

## 0.25 HP

Output speed [rpm]	Service factor sf	Output torque [in-lbs]	Ratio Stage 1	Ratio Stage 2	Exact ratio i	Max. torque [in-lbs]	OHL Output shaft [lbs]	Gearmotor		Gear Reducer	
								Reducer	Motor	Reducer	NEMA C-input
350.0	7.6	8	-	-	5.00	303	240	NMRV040	TS63B4	-	-
350.0	4.1	4	-	-	5.00	160	125	NMRV030	TS63B4	-	-
233.0	6.0	6	-	-	7.50	353	274	NMRV040	TS63B4	-	-
233.0	2.8	3	-	-	7.50	160	143	NMRV030	TS63B4	-	-
175.0	4.8	5	-	-	10.00	370	302	NMRV040	TS63B4	-	-
175.0	2.1	2	-	-	10.00	160	157	NMRV030	TS63B4	-	-
117.0	3.3	3	-	-	15.00	370	346	NMRV040	TS63B4	-	-
117.0	1.5	2	-	-	15.00	160	180	NMRV030	TS63B4	-	-
88.0	2.5	2	-	-	20.00	361	381	NMRV040	TS63B4	-	-
88.0	1.1	1	-	-	20.00	151	198	NMRV030	TS63B4	-	-
70.0	1.9	2	-	-	25.00	328	410	NMRV040	TS63B4	-	-
70.0	1.2	1	-	-	25.00	185	213	NMRV030	TS63B4	-	-
58.0	2.1	2	-	-	30.00	403	436	NMRV040	TS63B4	-	-
44.0	2.8	3	-	-	40.00	689	658	NMRV050	TS63B4	-	-
44.0	1.6	2	-	-	40.00	378	479	NMRV040	TS63B4	-	-
35.0	2.2	2	-	-	50.00	647	709	NMRV050	TS63B4	-	-
35.0	1.2	1	-	-	50.00	353	517	NMRV040	TS63B4	-	-
29.0	1.9	2	-	-	60.00	605	753	NMRV050	TS63B4	-	-
29.0	1.0	1	-	-	60.00	319	549	NMRV040	TS63B4	-	-
22.0	1.4	1	-	-	80.00	546	829	NMRV050	TS63B4	-	-
18.0	1.0	1	-	-	100.00	462	893	NMRV050	TS63B4	-	-

## 0.33 HP

Output speed [rpm]	Service factor sf	Output torque [in-lbs]	Ratio Stage 1	Ratio Stage 2	Exact ratio i	Max. torque [in-lbs]	OHL Output shaft [lbs]	Gearmotor		Gear Reducer	
								Reducer	Motor	Reducer	NEMA C-input
350.0	3.1	3	-	-	5.00	160	125	NMRV030	TS63D4	-	-
233.0	2.1	2	-	-	7.50	160	143	NMRV030	TS63D4	-	-
175.0	3.7	4	-	-	10.00	370	302	NMRV040	TS63D4	-	-
175.0	3.7	4	-	-	10.00	370	302	NMRV040	TS71A4	-	-

0.33 HP

Output speed [rpm]	Service factor sf	Output torque [in-lbs]	Ratio Stage 1	Ratio Stage 2	Exact ratio i	Max. torque [in-lbs]	OHL Output shaft [lbs]	Gearmotor		Gear Reducer	
								Reducer	Motor	Reducer	NEMA C-input
175.0	1.6	2	-	-	10.00	160	157	NMRV030	TS63D4	-	-
117.0	2.5	2	-	-	15.00	370	346	NMRV040	TS63D4	-	-
117.0	2.5	2	-	-	15.00	370	346	NMRV040	TS71A4	-	-
117.0	1.2	1	-	-	15.00	160	180	NMRV030	TS63D4	-	-
88.0	3.5	4	-	-	20.00	656	522	NMRV050	TS71A4	-	-
88.0	1.9	2	-	-	20.00	361	381	NMRV040	TS63D4	-	-
88.0	1.9	2	-	-	20.00	361	381	NMRV040	TS71A4	-	-
70.0	2.6	3	-	-	25.00	597	563	NMRV050	TS71A4	-	-
70.0	1.5	2	-	-	25.00	328	410	NMRV040	TS63D4	-	-
70.0	1.5	2	-	-	25.00	328	410	NMRV040	TS71A4	-	-
58.0	2.8	3	-	-	30.00	740	598	NMRV050	TS71A4	-	-
58.0	1.6	2	-	-	30.00	403	436	NMRV040	TS63D4	-	-
58.0	1.6	2	-	-	30.00	403	436	NMRV040	TS71A4	-	-
44.0	3.7	4	-	-	40.00	1261	860	NMRV-P063	TS71A4	-	-
44.0	2.1	2	-	-	40.00	689	658	NMRV050	TS63D4	-	-
44.0	2.1	2	-	-	40.00	689	658	NMRV050	TS71A4	-	-
44.0	1.2	1	-	-	40.00	378	479	NMRV040	TS63D4	-	-
44.0	1.2	1	-	-	40.00	378	479	NMRV040	TS71A4	-	-
35.0	3.0	3	-	-	50.00	1208	927	NMRV-P063	TS71A4	-	-
35.0	1.7	2	-	-	50.00	647	709	NMRV050	TS63D4	-	-
35.0	1.7	2	-	-	50.00	647	709	NMRV050	TS71A4	-	-
29.0	3.7	4	-	-	60.00	1778	1162	NMRV-P075	TS71A4	-	-
29.0	2.5	2	-	-	60.00	1135	985	NMRV-P063	TS71A4	-	-
29.0	1.4	1	-	-	60.00	605	753	NMRV050	TS63D4	-	-
29.0	1.4	1	-	-	60.00	605	753	NMRV050	TS71A4	-	-
22.0	2.8	3	-	-	80.00	1632	1279	NMRV-P075	TS71A4	-	-
22.0	1.8	2	-	-	80.00	1027	1084	NMRV-P063	TS71A4	-	-
22.0	1.1	1	-	-	80.00	546	829	NMRV050	TS63D4	-	-
22.0	1.1	1	-	-	80.00	546	829	NMRV050	TS71A4	-	-
18.0	2.2	2	-	-	100.00	1517	1378	NMRV-P075	TS71A4	-	-
18.0	1.6	2	-	-	100.00	992	1168	NMRV-P063	TS71A4	-	-

0.5 HP

Output speed [rpm]	Service factor sf	Output torque [in-lbs]	Ratio Stage 1	Ratio Stage 2	Exact ratio i	Max. torque [in-lbs]	OHL Output shaft [lbs]	Gearmotor		Gear Reducer	
								Reducer	Motor	Reducer	NEMA C-input
350.0	3.8	4	-	-	5.00	303	240	NMRV040	TS71B4	-	-
233.0	3.0	3	-	-	7.50	353	274	NMRV040	TS71B4	-	-
175.0	2.4	2	-	-	10.00	370	302	NMRV040	TS71B4	-	-
117.0	3.0	3	-	-	15.00	681	475	NMRV050	TS71B4	-	-
117.0	1.7	2	-	-	15.00	370	346	NMRV040	TS71B4	-	-
88.0	2.3	2	-	-	20.00	656	522	NMRV050	TS71B4	-	-

0.5 HP

Output speed [rpm]	Service factor sf	Output torque [in-lbs]	Ratio Stage 1	Ratio Stage 2	Exact ratio i	Max. torque [in-lbs]	OHL Output shaft [lbs]	Gearmotor		Gear Reducer	
								Reducer	Motor	Reducer	NEMA C-input
88.0	1.3	1	-	-	20.00	361	381	NMRV040	TS71B4	-	-
70.0	3.1	3	-	-	25.00	1124	736	NMRV-P063	TS71B4	-	-
70.0	1.7	2	-	-	25.00	597	563	NMRV050	TS71B4	-	-
58.0	3.3	3	-	-	30.00	1345	782	NMRV-P063	TS71B4	-	-
58.0	1.9	2	-	-	30.00	740	598	NMRV050	TS71B4	-	-
58.0	1.1	1	-	-	30.00	403	436	NMRV040	TS71B4	-	-
44.0	3.8	4	-	-	40.00	2029	1015	NMRV-P075	TS71B4	-	-
44.0	2.4	2	-	-	40.00	1261	860	NMRV-P063	TS71B4	-	-
44.0	1.4	1	-	-	40.00	689	658	NMRV050	TS71B4	-	-
35.0	2.9	3	-	-	50.00	1881	1094	NMRV-P075	TS71B4	-	-
35.0	2.0	2	-	-	50.00	1208	927	NMRV-P063	TS71B4	-	-
35.0	1.1	1	-	-	50.00	647	709	NMRV050	TS71B4	-	-
29.0	2.4	2	-	-	60.00	1778	1162	NMRV-P075	TS71B4	-	-
29.0	1.6	2	-	-	60.00	1135	985	NMRV-P063	TS71B4	-	-
22.0	1.8	2	-	-	80.00	1632	1279	NMRV-P075	TS71B4	-	-
22.0	1.2	1	-	-	80.00	1027	1084	NMRV-P063	TS71B4	-	-
18.0	1.5	2	-	-	100.00	1517	1378	NMRV-P075	TS71B4	-	-
18.0	1.0	1	-	-	100.00	992	1168	NMRV-P063	TS71B4	-	-

0.75 HP

Output speed [rpm]	Service factor sf	Output torque [in-lbs]	Ratio Stage 1	Ratio Stage 2	Exact ratio i	Max. torque [in-lbs]	OHL Output shaft [lbs]	Gearmotor		Gear Reducer	
								Reducer	Motor	Reducer	NEMA C-input
350.0	2.5	2	-	-	5.00	303	240	NMRV040	TS71C4	-	-
233.0	3.6	4	-	-	7.50	647	377	NMRV050	TS71C4	-	-
233.0	3.6	4	-	-	7.50	647	377	NMRV050	TS80A4	-	-
233.0	2.0	2	-	-	7.50	353	274	NMRV040	TS71C4	-	-
175.0	2.8	3	-	-	10.00	664	415	NMRV050	TS71C4	-	-
175.0	2.8	3	-	-	10.00	664	415	NMRV050	TS80A4	-	-
175.0	1.6	2	-	-	10.00	370	302	NMRV040	TS71C4	-	-
117.0	3.6	4	-	-	15.00	1236	620	NMRV-P063	TS71C4	-	-
117.0	3.6	4	-	-	15.00	1236	620	NMRV-P063	TS80A4	-	-
117.0	2.0	2	-	-	15.00	681	475	NMRV050	TS71C4	-	-
117.0	2.0	2	-	-	15.00	681	475	NMRV050	TS80A4	-	-
117.0	1.1	1	-	-	15.00	370	346	NMRV040	TS71C4	-	-
88.0	2.7	3	-	-	20.00	1225	683	NMRV-P063	TS71C4	-	-
88.0	2.7	3	-	-	20.00	1225	683	NMRV-P063	TS80A4	-	-
88.0	1.5	2	-	-	20.00	656	522	NMRV050	TS71C4	-	-
88.0	1.5	2	-	-	20.00	656	522	NMRV050	TS80A4	-	-
70.0	3.2	3	-	-	25.00	1784	868	NMRV-P075	TS71C4	-	-
70.0	3.2	3	-	-	25.00	1784	868	NMRV-P075	TS80A4	-	-
70.0	2.1	2	-	-	25.00	1124	736	NMRV-P063	TS71C4	-	-

0.75 HP

Output speed [rpm]	Service factor sf	Output torque [in-lbs]	Ratio Stage 1	Ratio Stage 2	Exact ratio i	Max. torque [in-lbs]	OHL Output shaft [lbs]	Gearmotor		Gear Reducer	
								Reducer	Motor	Reducer	NEMA C-input
70.0	2.1	2	-	-	25.00	1124	736	NMRV-P063	TS80A4	-	-
70.0	1.1	1	-	-	25.00	597	563	NMRV050	TS71C4	-	-
70.0	1.1	1	-	-	25.00	597	563	NMRV050	TS80A4	-	-
58.0	3.2	3	-	-	30.00	2028	923	NMRV-P075	TS71C4	-	-
58.0	3.2	3	-	-	30.00	2028	923	NMRV-P075	TS80A4	-	-
58.0	2.2	2	-	-	30.00	1345	782	NMRV-P063	TS71C4	-	-
58.0	2.2	2	-	-	30.00	1345	782	NMRV-P063	TS80A4	-	-
58.0	1.3	1	-	-	30.00	740	598	NMRV050	TS71C4	-	-
58.0	1.3	1	-	-	30.00	740	598	NMRV050	TS80A4	-	-
44.0	2.5	2	-	-	40.00	2029	1015	NMRV-P075	TS71C4	-	-
44.0	2.5	2	-	-	40.00	2029	1015	NMRV-P075	TS80A4	-	-
44.0	1.6	2	-	-	40.00	1261	860	NMRV-P063	TS71C4	-	-
44.0	1.6	2	-	-	40.00	1261	860	NMRV-P063	TS80A4	-	-
35.0	3.2	3	-	-	50.00	3145	1210	NMRV-P090	TS80A4	-	-
35.0	2.0	2	-	-	50.00	1881	1094	NMRV-P075	TS80A4	-	-
35.0	2.0	2	-	-	50.00	1881	1094	NMRV-P075	TS71C4	-	-
35.0	1.3	1	-	-	50.00	1208	927	NMRV-P063	TS71C4	-	-
35.0	1.3	1	-	-	50.00	1208	927	NMRV-P063	TS80A4	-	-
29.0	2.6	3	-	-	60.00	2960	1286	NMRV-P090	TS80A4	-	-
29.0	1.6	2	-	-	60.00	1778	1162	NMRV-P075	TS71C4	-	-
29.0	1.6	2	-	-	60.00	1778	1162	NMRV-P075	TS80A4	-	-
29.0	1.1	1	-	-	60.00	1135	985	NMRV-P063	TS71C4	-	-
29.0	1.1	1	-	-	60.00	1135	985	NMRV-P063	TS80A4	-	-
22.0	2.9	3	-	-	80.00	4330	1789	NMRV-P110	TS80A4	-	-
22.0	1.7	2	-	-	80.00	2397	1416	NMRV-P090	TS80A4	-	-
22.0	1.2	1	-	-	80.00	1632	1279	NMRV-P075	TS71C4	-	-
22.0	1.2	1	-	-	80.00	1632	1279	NMRV-P075	TS80A4	-	-
18.0	2.3	2	-	-	100.00	4061	1927	NMRV-P110	TS80A4	-	-
18.0	1.4	1	-	-	100.00	2271	1525	NMRV-P090	TS80A4	-	-

1 HP

Output speed [rpm]	Service factor sf	Output torque [in-lbs]	Ratio Stage 1	Ratio Stage 2	Exact ratio i	Max. torque [in-lbs]	OHL Output shaft [lbs]	Gearmotor		Gear Reducer	
								Reducer	Motor	Reducer	NEMA C-input
350.0	3.6	4	-	-	5.00	572	329	NMRV050	TH80B4	-	-
350.0	3.6	4	-	-	5.00	572	329	NMRV050	TP80B4	-	-
350.0	3.6	4	-	-	5.00	572	329	NMRV050	TS80B4	-	-
233.0	2.7	3	-	-	7.50	647	377	NMRV050	TH80B4	-	-
233.0	2.7	3	-	-	7.50	647	377	NMRV050	TP80B4	-	-
233.0	2.7	3	-	-	7.50	647	377	NMRV050	TS80B4	-	-
175.0	3.5	4	-	-	10.00	1108	542	NMRV-P063	TH80B4	-	-
175.0	3.5	4	-	-	10.00	1108	542	NMRV-P063	TP80B4	-	-

1 HP

Output speed [rpm]	Service factor sf	Output torque [in-lbs]	Ratio Stage 1	Ratio Stage 2	Exact ratio i	Max. torque [in-lbs]	OHL Output shaft [lbs]	Gearmotor		Gear Reducer	
								Reducer	Motor	Reducer	NEMA C-input
175.0	3.5	4	-	-	10.00	1108	542	NMRV-P063	TS80B4	-	-
175.0	2.1	2	-	-	10.00	664	415	NMRV050	TH80B4	-	-
175.0	2.1	2	-	-	10.00	664	415	NMRV050	TP80B4	-	-
175.0	2.1	2	-	-	10.00	664	415	NMRV050	TS80B4	-	-
117.0	2.7	3	-	-	15.00	1236	620	NMRV-P063	TH80B4	-	-
117.0	2.7	3	-	-	15.00	1236	620	NMRV-P063	TP80B4	-	-
117.0	2.7	3	-	-	15.00	1236	620	NMRV-P063	TS80B4	-	-
117.0	1.5	2	-	-	15.00	681	475	NMRV050	TH80B4	-	-
117.0	1.5	2	-	-	15.00	681	475	NMRV050	TP80B4	-	-
117.0	1.5	2	-	-	15.00	681	475	NMRV050	TS80B4	-	-
88.0	3.2	3	-	-	20.00	1953	806	NMRV-P075	TH80B4	-	-
88.0	3.2	3	-	-	20.00	1953	806	NMRV-P075	TP80B4	-	-
88.0	3.2	3	-	-	20.00	1953	806	NMRV-P075	TS80B4	-	-
88.0	2.1	2	-	-	20.00	1225	683	NMRV-P063	TH80B4	-	-
88.0	2.1	2	-	-	20.00	1225	683	NMRV-P063	TP80B4	-	-
88.0	2.1	2	-	-	20.00	1225	683	NMRV-P063	TS80B4	-	-
88.0	1.1	1	-	-	20.00	656	522	NMRV050	TH80B4	-	-
88.0	1.1	1	-	-	20.00	656	522	NMRV050	TP80B4	-	-
88.0	1.1	1	-	-	20.00	656	522	NMRV050	TS80B4	-	-
70.0	2.4	2	-	-	25.00	1784	868	NMRV-P075	TH80B4	-	-
70.0	2.4	2	-	-	25.00	1784	868	NMRV-P075	TP80B4	-	-
70.0	2.4	2	-	-	25.00	1784	868	NMRV-P075	TS80B4	-	-
70.0	1.6	2	-	-	25.00	1124	736	NMRV-P063	TH80B4	-	-
70.0	1.6	2	-	-	25.00	1124	736	NMRV-P063	TP80B4	-	-
70.0	1.6	2	-	-	25.00	1124	736	NMRV-P063	TS80B4	-	-
58.0	2.4	2	-	-	30.00	2028	923	NMRV-P075	TH80B4	-	-
58.0	2.4	2	-	-	30.00	2028	923	NMRV-P075	TP80B4	-	-
58.0	2.4	2	-	-	30.00	2028	923	NMRV-P075	TS80B4	-	-
58.0	1.6	2	-	-	30.00	1345	782	NMRV-P063	TH80B4	-	-
58.0	1.6	2	-	-	30.00	1345	782	NMRV-P063	TP80B4	-	-
58.0	1.6	2	-	-	30.00	1345	782	NMRV-P063	TS80B4	-	-
44.0	3.0	3	-	-	40.00	3330	1123	NMRV-P090	TH80B4	-	-
44.0	3.0	3	-	-	40.00	3330	1123	NMRV-P090	TP80B4	-	-
44.0	3.0	3	-	-	40.00	3330	1123	NMRV-P090	TS80B4	-	-
44.0	1.9	2	-	-	40.00	2029	1015	NMRV-P075	TH80B4	-	-
44.0	1.9	2	-	-	40.00	2029	1015	NMRV-P075	TP80B4	-	-
44.0	1.9	2	-	-	40.00	2029	1015	NMRV-P075	TS80B4	-	-
44.0	1.2	1	-	-	40.00	1261	860	NMRV-P063	TH80B4	-	-
44.0	1.2	1	-	-	40.00	1261	860	NMRV-P063	TP80B4	-	-
44.0	1.2	1	-	-	40.00	1261	860	NMRV-P063	TS80B4	-	-
35.0	2.4	2	-	-	50.00	3145	1210	NMRV-P090	TH80B4	-	-



## 1 HP

Output speed [rpm]	Service factor sf	Output torque [in-lbs]	Ratio Stage 1	Ratio Stage 2	Exact ratio i	Max. torque [in-lbs]	OHL Output shaft [lbs]	Gearmotor		Gear Reducer	
								Reducer	Motor	Reducer	NEMA C-input
35.0	2.4	2	-	-	50.00	3145	1210	NMRV-P090	TP80B4	-	-
35.0	2.4	2	-	-	50.00	3145	1210	NMRV-P090	TS80B4	-	-
35.0	1.5	2	-	-	50.00	1881	1094	NMRV-P075	TH80B4	-	-
35.0	1.5	2	-	-	50.00	1881	1094	NMRV-P075	TP80B4	-	-
35.0	1.5	2	-	-	50.00	1881	1094	NMRV-P075	TS80B4	-	-
29.0	3.2	3	-	-	60.00	5180	1625	NMRV-P110	TH80B4	-	-
29.0	3.2	3	-	-	60.00	5180	1625	NMRV-P110	TP80B4	-	-
29.0	3.2	3	-	-	60.00	5180	1625	NMRV-P110	TS80B4	-	-
29.0	1.9	2	-	-	60.00	2960	1286	NMRV-P090	TH80B4	-	-
29.0	1.9	2	-	-	60.00	2960	1286	NMRV-P090	TP80B4	-	-
29.0	1.9	2	-	-	60.00	2960	1286	NMRV-P090	TS80B4	-	-
29.0	1.2	1	-	-	60.00	1778	1162	NMRV-P075	TH80B4	-	-
29.0	1.2	1	-	-	60.00	1778	1162	NMRV-P075	TP80B4	-	-
29.0	1.2	1	-	-	60.00	1778	1162	NMRV-P075	TS80B4	-	-
22.0	2.2	2	-	-	80.00	4330	1789	NMRV-P110	TH80B4	-	-
22.0	2.2	2	-	-	80.00	4330	1789	NMRV-P110	TP80B4	-	-
22.0	2.2	2	-	-	80.00	4330	1789	NMRV-P110	TS80B4	-	-
22.0	1.3	1	-	-	80.00	2397	1416	NMRV-P090	TH80B4	-	-
22.0	1.3	1	-	-	80.00	2397	1416	NMRV-P090	TP80B4	-	-
22.0	1.3	1	-	-	80.00	2397	1416	NMRV-P090	TS80B4	-	-
18.0	1.7	2	-	-	100.00	4061	1927	NMRV-P110	TH80B4	-	-
18.0	1.7	2	-	-	100.00	4061	1927	NMRV-P110	TP80B4	-	-
18.0	1.7	2	-	-	100.00	4061	1927	NMRV-P110	TS80B4	-	-
18.0	1.0	1	-	-	100.00	2271	1525	NMRV-P090	TH80B4	-	-
18.0	1.0	1	-	-	100.00	2271	1525	NMRV-P090	TP80B4	-	-
18.0	1.0	1	-	-	100.00	2271	1525	NMRV-P090	TS80B4	-	-

## 1.5 HP

Output speed [rpm]	Service factor sf	Output torque [in-lbs]	Ratio Stage 1	Ratio Stage 2	Exact ratio i	Max. torque [in-lbs]	OHL Output shaft [lbs]	Gearmotor		Gear Reducer	
								Reducer	Motor	Reducer	NEMA C-input
350.0	2.4	2	-	-	5.00	572	329	NMRV050	TS80D4	-	-
233.0	3.0	3	-	-	7.50	1076	492	NMRV-P063	TS80D4	-	-
233.0	3.0	3	-	-	7.50	1076	492	NMRV-P063	TH90S4	-	-
233.0	3.0	3	-	-	7.50	1076	492	NMRV-P063	TP90S4	-	-
233.0	3.0	3	-	-	7.50	1076	492	NMRV-P063	TS90S4	-	-
233.0	1.8	2	-	-	7.50	647	377	NMRV050	TS80D4	-	-
175.0	3.5	4	-	-	10.00	1656	640	NMRV-P075	TS80D4	-	-
175.0	3.5	4	-	-	10.00	1656	640	NMRV-P075	TH90S4	-	-
175.0	3.5	4	-	-	10.00	1656	640	NMRV-P075	TP90S4	-	-
175.0	3.5	4	-	-	10.00	1656	640	NMRV-P075	TS90S4	-	-
175.0	2.3	2	-	-	10.00	1108	542	NMRV-P063	TS80D4	-	-

1.5 HP

Output speed [rpm]	Service factor sf	Output torque [in-lbs]	Ratio Stage 1	Ratio Stage 2	Exact ratio i	Max. torque [in-lbs]	OHL Output shaft [lbs]	Gearmotor		Gear Reducer	
								Reducer	Motor	Reducer	NEMA C-input
175.0	2.3	2	-	-	10.00	1108	542	NMRV-P063	TH90S4	-	-
175.0	2.3	2	-	-	10.00	1108	542	NMRV-P063	TP90S4	-	-
175.0	2.3	2	-	-	10.00	1108	542	NMRV-P063	TS90S4	-	-
175.0	1.4	1	-	-	10.00	664	415	NMRV050	TS80D4	-	-
117.0	2.7	3	-	-	15.00	1900	732	NMRV-P075	TS80D4	-	-
117.0	2.7	3	-	-	15.00	1900	732	NMRV-P075	TH90S4	-	-
117.0	2.7	3	-	-	15.00	1900	732	NMRV-P075	TP90S4	-	-
117.0	2.7	3	-	-	15.00	1900	732	NMRV-P075	TS90S4	-	-
117.0	1.8	2	-	-	15.00	1236	620	NMRV-P063	TS80D4	-	-
117.0	1.8	2	-	-	15.00	1236	620	NMRV-P063	TH90S4	-	-
117.0	1.8	2	-	-	15.00	1236	620	NMRV-P063	TP90S4	-	-
117.0	1.8	2	-	-	15.00	1236	620	NMRV-P063	TS90S4	-	-
117.0	1.0	1	-	-	15.00	681	475	NMRV050	TS80D4	-	-
88.0	3.6	4	-	-	20.00	3288	892	NMRV-P090	TS80D4	-	-
88.0	3.6	4	-	-	20.00	3288	892	NMRV-P090	TH90S4	-	-
88.0	3.6	4	-	-	20.00	3288	892	NMRV-P090	TP90S4	-	-
88.0	3.6	4	-	-	20.00	3288	892	NMRV-P090	TS90S4	-	-
88.0	2.2	2	-	-	20.00	1953	806	NMRV-P075	TS80D4	-	-
88.0	2.2	2	-	-	20.00	1953	806	NMRV-P075	TH90S4	-	-
88.0	2.2	2	-	-	20.00	1953	806	NMRV-P075	TP90S4	-	-
88.0	2.2	2	-	-	20.00	1953	806	NMRV-P075	TS90S4	-	-
88.0	1.4	1	-	-	20.00	1225	683	NMRV-P063	TS80D4	-	-
88.0	1.4	1	-	-	20.00	1225	683	NMRV-P063	TH90S4	-	-
88.0	1.4	1	-	-	20.00	1225	683	NMRV-P063	TP90S4	-	-
88.0	1.4	1	-	-	20.00	1225	683	NMRV-P063	TS90S4	-	-
70.0	2.8	3	-	-	25.00	3145	961	NMRV-P090	TS80D4	-	-
70.0	2.8	3	-	-	25.00	3145	961	NMRV-P090	TH90S4	-	-
70.0	2.8	3	-	-	25.00	3145	961	NMRV-P090	TP90S4	-	-
70.0	2.8	3	-	-	25.00	3145	961	NMRV-P090	TS90S4	-	-
70.0	1.6	2	-	-	25.00	1784	868	NMRV-P075	TS80D4	-	-
70.0	1.6	2	-	-	25.00	1784	868	NMRV-P075	TH90S4	-	-
70.0	1.6	2	-	-	25.00	1784	868	NMRV-P075	TP90S4	-	-
70.0	1.6	2	-	-	25.00	1784	868	NMRV-P075	TS90S4	-	-
70.0	1.0	1	-	-	25.00	1124	736	NMRV-P063	TS80D4	-	-
70.0	1.0	1	-	-	25.00	1124	736	NMRV-P063	TH90S4	-	-
70.0	1.0	1	-	-	25.00	1124	736	NMRV-P063	TP90S4	-	-
70.0	1.0	1	-	-	25.00	1124	736	NMRV-P063	TS90S4	-	-
58.0	2.8	3	-	-	30.00	3632	1021	NMRV-P090	TS80D4	-	-
58.0	2.8	3	-	-	30.00	3632	1021	NMRV-P090	TH90S4	-	-
58.0	2.8	3	-	-	30.00	3632	1021	NMRV-P090	TP90S4	-	-
58.0	2.8	3	-	-	30.00	3632	1021	NMRV-P090	TS90S4	-	-

1.5 HP

Output speed [rpm]	Service factor sf	Output torque [in-lbs]	Ratio Stage 1	Ratio Stage 2	Exact ratio i	Max. torque [in-lbs]	OHL Output shaft [lbs]	Gearmotor		Gear Reducer	
								Reducer	Motor	Reducer	NEMA C-input
58.0	1.6	2	-	-	30.00	2028	923	NMRV-P075	TS80D4	-	-
58.0	1.6	2	-	-	30.00	2028	923	NMRV-P075	TH90S4	-	-
58.0	1.6	2	-	-	30.00	2028	923	NMRV-P075	TP90S4	-	-
58.0	1.6	2	-	-	30.00	2028	923	NMRV-P075	TS90S4	-	-
58.0	1.1	1	-	-	30.00	1345	782	NMRV-P063	TS80D4	-	-
58.0	1.1	1	-	-	30.00	1345	782	NMRV-P063	TH90S4	-	-
58.0	1.1	1	-	-	30.00	1345	782	NMRV-P063	TP90S4	-	-
58.0	1.1	1	-	-	30.00	1345	782	NMRV-P063	TS90S4	-	-
44.0	3.4	3	-	-	40.00	5903	1420	NMRV-P110	TS80D4	-	-
44.0	3.4	3	-	-	40.00	5903	1420	NMRV-P110	TH90S4	-	-
44.0	3.4	3	-	-	40.00	5903	1420	NMRV-P110	TP90S4	-	-
44.0	3.4	3	-	-	40.00	5903	1420	NMRV-P110	TS90S4	-	-
44.0	2.0	2	-	-	40.00	3330	1123	NMRV-P090	TS80D4	-	-
44.0	2.0	2	-	-	40.00	3330	1123	NMRV-P090	TH90S4	-	-
44.0	2.0	2	-	-	40.00	3330	1123	NMRV-P090	TP90S4	-	-
44.0	2.0	2	-	-	40.00	3330	1123	NMRV-P090	TS90S4	-	-
44.0	1.3	1	-	-	40.00	2029	1015	NMRV-P075	TS80D4	-	-
44.0	1.3	1	-	-	40.00	2029	1015	NMRV-P075	TH90S4	-	-
44.0	1.3	1	-	-	40.00	2029	1015	NMRV-P075	TP90S4	-	-
44.0	1.3	1	-	-	40.00	2029	1015	NMRV-P075	TS90S4	-	-
35.0	2.7	3	-	-	50.00	5550	1529	NMRV-P110	TS80D4	-	-
35.0	2.7	3	-	-	50.00	5550	1529	NMRV-P110	TH90S4	-	-
35.0	2.7	3	-	-	50.00	5550	1529	NMRV-P110	TP90S4	-	-
35.0	2.7	3	-	-	50.00	5550	1529	NMRV-P110	TS90S4	-	-
35.0	1.6	2	-	-	50.00	3145	1210	NMRV-P090	TS80D4	-	-
35.0	1.6	2	-	-	50.00	3145	1210	NMRV-P090	TH90S4	-	-
35.0	1.6	2	-	-	50.00	3145	1210	NMRV-P090	TP90S4	-	-
35.0	1.6	2	-	-	50.00	3145	1210	NMRV-P090	TS90S4	-	-
29.0	2.1	2	-	-	60.00	5180	1625	NMRV-P110	TS80D4	-	-
29.0	2.1	2	-	-	60.00	5180	1625	NMRV-P110	TH90S4	-	-
29.0	2.1	2	-	-	60.00	5180	1625	NMRV-P110	TP90S4	-	-
29.0	2.1	2	-	-	60.00	5180	1625	NMRV-P110	TS90S4	-	-
29.0	1.3	1	-	-	60.00	2960	1286	NMRV-P090	TS80D4	-	-
29.0	1.3	1	-	-	60.00	2960	1286	NMRV-P090	TH90S4	-	-
29.0	1.3	1	-	-	60.00	2960	1286	NMRV-P090	TP90S4	-	-
29.0	1.3	1	-	-	60.00	2960	1286	NMRV-P090	TS90S4	-	-
22.0	2.4	2	-	-	80.00	7063	2339	NMRV130	TH90S4	-	-
22.0	2.4	2	-	-	80.00	7063	2339	NMRV130	TP90S4	-	-
22.0	2.4	2	-	-	80.00	7063	2339	NMRV130	TS90S4	-	-
22.0	1.4	1	-	-	80.00	4330	1789	NMRV-P110	TS80D4	-	-
22.0	1.4	1	-	-	80.00	4330	1789	NMRV-P110	TH90S4	-	-

## 1.5 HP

Output speed [rpm]	Service factor sf	Output torque [in-lbs]	Ratio Stage 1	Ratio Stage 2	Exact ratio i	Max. torque [in-lbs]	OHL Output shaft [lbs]	Gearmotor		Gear Reducer	
								Reducer	Motor	Reducer	NEMA C-input
22.0	1.4	1	-	-	80.00	4330	1789	NMRV-P110	TP90S4	-	-
22.0	1.4	1	-	-	80.00	4330	1789	NMRV-P110	TS90S4	-	-
18.0	1.8	2	-	-	100.00	6222	2520	NMRV130	TH90S4	-	-
18.0	1.8	2	-	-	100.00	6222	2520	NMRV130	TP90S4	-	-
18.0	1.8	2	-	-	100.00	6222	2520	NMRV130	TS90S4	-	-
18.0	1.2	1	-	-	100.00	4061	1927	NMRV-P110	TS80D4	-	-
18.0	1.2	1	-	-	100.00	4061	1927	NMRV-P110	TH90S4	-	-
18.0	1.2	1	-	-	100.00	4061	1927	NMRV-P110	TP90S4	-	-
18.0	1.2	1	-	-	100.00	4061	1927	NMRV-P110	TS90S4	-	-

## 2 HP

Output speed [rpm]	Service factor sf	Output torque [in-lbs]	Ratio Stage 1	Ratio Stage 2	Exact ratio i	Max. torque [in-lbs]	OHL Output shaft [lbs]	Gearmotor		Gear Reducer	
								Reducer	Motor	Reducer	NEMA C-input
233.0	3.2	3	-	-	7.50	1555	581	NMRV-P075	TH90L4	-	-
233.0	3.2	3	-	-	7.50	1555	581	NMRV-P075	TP90L4	-	-
233.0	3.2	3	-	-	7.50	1555	581	NMRV-P075	TS90LA4	-	-
233.0	2.2	2	-	-	7.50	1076	492	NMRV-P063	TH90L4	-	-
233.0	2.2	2	-	-	7.50	1076	492	NMRV-P063	TP90L4	-	-
233.0	2.2	2	-	-	7.50	1076	492	NMRV-P063	TS90LA4	-	-
175.0	2.6	3	-	-	10.00	1656	640	NMRV-P075	TH90L4	-	-
175.0	2.6	3	-	-	10.00	1656	640	NMRV-P075	TP90L4	-	-
175.0	2.6	3	-	-	10.00	1656	640	NMRV-P075	TS90LA4	-	-
175.0	1.8	2	-	-	10.00	1108	542	NMRV-P063	TH90L4	-	-
175.0	1.8	2	-	-	10.00	1108	542	NMRV-P063	TP90L4	-	-
175.0	1.8	2	-	-	10.00	1108	542	NMRV-P063	TS90LA4	-	-
117.0	3.5	4	-	-	15.00	3330	810	NMRV-P090	TH90L4	-	-
117.0	3.5	4	-	-	15.00	3330	810	NMRV-P090	TP90L4	-	-
117.0	3.5	4	-	-	15.00	3330	810	NMRV-P090	TS90LA4	-	-
117.0	2.0	2	-	-	15.00	1900	732	NMRV-P075	TH90L4	-	-
117.0	2.0	2	-	-	15.00	1900	732	NMRV-P075	TP90L4	-	-
117.0	2.0	2	-	-	15.00	1900	732	NMRV-P075	TS90LA4	-	-
117.0	1.4	1	-	-	15.00	1236	620	NMRV-P063	TH90L4	-	-
117.0	1.4	1	-	-	15.00	1236	620	NMRV-P063	TP90L4	-	-
117.0	1.4	1	-	-	15.00	1236	620	NMRV-P063	TS90LA4	-	-
88.0	2.7	3	-	-	20.00	3288	892	NMRV-P090	TH90L4	-	-
88.0	2.7	3	-	-	20.00	3288	892	NMRV-P090	TP90L4	-	-
88.0	2.7	3	-	-	20.00	3288	892	NMRV-P090	TS90LA4	-	-
88.0	1.6	2	-	-	20.00	1953	806	NMRV-P075	TH90L4	-	-
88.0	1.6	2	-	-	20.00	1953	806	NMRV-P075	TP90L4	-	-
88.0	1.6	2	-	-	20.00	1953	806	NMRV-P075	TS90LA4	-	-
88.0	1.0	1	-	-	20.00	1225	683	NMRV-P063	TH90L4	-	-

2 HP

Output speed [rpm]	Service factor sf	Output torque [in-lbs]	Ratio Stage 1	Ratio Stage 2	Exact ratio i	Max. torque [in-lbs]	OHL Output shaft [lbs]	Gearmotor		Gear Reducer	
								Reducer	Motor	Reducer	NEMA C-input
88.0	1.0	1	-	-	20.00	1225	683	NMRV-P063	TP90L4	-	-
88.0	1.0	1	-	-	20.00	1225	683	NMRV-P063	TS90LA4	-	-
70.0	3.7	4	-	-	25.00	5709	1214	NMRV-P110	TH90L4	-	-
70.0	3.7	4	-	-	25.00	5709	1214	NMRV-P110	TP90L4	-	-
70.0	3.7	4	-	-	25.00	5709	1214	NMRV-P110	TS90LA4	-	-
70.0	2.1	2	-	-	25.00	3145	961	NMRV-P090	TH90L4	-	-
70.0	2.1	2	-	-	25.00	3145	961	NMRV-P090	TP90L4	-	-
70.0	2.1	2	-	-	25.00	3145	961	NMRV-P090	TS90LA4	-	-
70.0	1.2	1	-	-	25.00	1784	868	NMRV-P075	TH90L4	-	-
70.0	1.2	1	-	-	25.00	1784	868	NMRV-P075	TP90L4	-	-
70.0	1.2	1	-	-	25.00	1784	868	NMRV-P075	TS90LA4	-	-
58.0	3.5	4	-	-	30.00	6096	1290	NMRV-P110	TH90L4	-	-
58.0	3.5	4	-	-	30.00	6096	1290	NMRV-P110	TP90L4	-	-
58.0	3.5	4	-	-	30.00	6096	1290	NMRV-P110	TS90LA4	-	-
58.0	2.1	2	-	-	30.00	3632	1021	NMRV-P090	TH90L4	-	-
58.0	2.1	2	-	-	30.00	3632	1021	NMRV-P090	TP90L4	-	-
58.0	2.1	2	-	-	30.00	3632	1021	NMRV-P090	TS90LA4	-	-
58.0	1.2	1	-	-	30.00	2028	923	NMRV-P075	TH90L4	-	-
58.0	1.2	1	-	-	30.00	2028	923	NMRV-P075	TP90L4	-	-
58.0	1.2	1	-	-	30.00	2028	923	NMRV-P075	TS90LA4	-	-
44.0	2.6	3	-	-	40.00	5903	1420	NMRV-P110	TH90L4	-	-
44.0	2.6	3	-	-	40.00	5903	1420	NMRV-P110	TP90L4	-	-
44.0	2.6	3	-	-	40.00	5903	1420	NMRV-P110	TS90LA4	-	-
44.0	1.5	2	-	-	40.00	3330	1123	NMRV-P090	TH90L4	-	-
44.0	1.5	2	-	-	40.00	3330	1123	NMRV-P090	TP90L4	-	-
44.0	1.5	2	-	-	40.00	3330	1123	NMRV-P090	TS90LA4	-	-
35.0	2.0	2	-	-	50.00	5550	1529	NMRV-P110	TH90L4	-	-
35.0	2.0	2	-	-	50.00	5550	1529	NMRV-P110	TP90L4	-	-
35.0	2.0	2	-	-	50.00	5550	1529	NMRV-P110	TS90LA4	-	-
35.0	1.2	1	-	-	50.00	3145	1210	NMRV-P090	TH90L4	-	-
35.0	1.2	1	-	-	50.00	3145	1210	NMRV-P090	TP90L4	-	-
35.0	1.2	1	-	-	50.00	3145	1210	NMRV-P090	TS90LA4	-	-
29.0	1.6	2	-	-	60.00	5180	1625	NMRV-P110	TH90L4	-	-
29.0	1.6	2	-	-	60.00	5180	1625	NMRV-P110	TP90L4	-	-
29.0	1.6	2	-	-	60.00	5180	1625	NMRV-P110	TS90LA4	-	-
22.0	1.8	2	-	-	80.00	7063	2339	NMRV130	TH90L4	-	-
22.0	1.8	2	-	-	80.00	7063	2339	NMRV130	TP90L4	-	-
22.0	1.8	2	-	-	80.00	7063	2339	NMRV130	TS90LA4	-	-
22.0	1.1	1	-	-	80.00	4330	1789	NMRV-P110	TH90L4	-	-
22.0	1.1	1	-	-	80.00	4330	1789	NMRV-P110	TP90L4	-	-
22.0	1.1	1	-	-	80.00	4330	1789	NMRV-P110	TS90LA4	-	-

2 HP

Output speed [rpm]	Service factor sf	Output torque [in-lbs]	Ratio Stage 1	Ratio Stage 2	Exact ratio i	Max. torque [in-lbs]	OHL Output shaft [lbs]	Gearmotor		Gear Reducer	
								Reducer	Motor	Reducer	NEMA C-input
18.0	1.3	1	-	-	100.00	6222	2520	NMRV130	TH90L4	-	-
18.0	1.3	1	-	-	100.00	6222	2520	NMRV130	TP90L4	-	-
18.0	1.3	1	-	-	100.00	6222	2520	NMRV130	TS90LA4	-	-

3 HP

Output speed [rpm]	Service factor sf	Output torque [in-lbs]	Ratio Stage 1	Ratio Stage 2	Exact ratio i	Max. torque [in-lbs]	OHL Output shaft [lbs]	Gearmotor		Gear Reducer	
								Reducer	Motor	Reducer	NEMA C-input
233.0	3.7	4	-	-	7.50	2682	643	NMRV-P090	TH100LA4	-	-
233.0	3.7	4	-	-	7.50	2682	643	NMRV-P090	TS100LA4	-	-
233.0	3.7	4	-	-	7.50	2682	643	NMRV-P090	TP112MR4	-	-
233.0	2.1	2	-	-	7.50	1555	581	NMRV-P075	TH100LA4	-	-
233.0	2.1	2	-	-	7.50	1555	581	NMRV-P075	TS100LA4	-	-
233.0	2.1	2	-	-	7.50	1555	581	NMRV-P075	TP112MR4	-	-
175.0	3.0	3	-	-	10.00	2867	708	NMRV-P090	TH100LA4	-	-
175.0	3.0	3	-	-	10.00	2867	708	NMRV-P090	TS100LA4	-	-
175.0	3.0	3	-	-	10.00	2867	708	NMRV-P090	TP112MR4	-	-
175.0	1.7	2	-	-	10.00	1656	640	NMRV-P075	TH100LA4	-	-
175.0	1.7	2	-	-	10.00	1656	640	NMRV-P075	TS100LA4	-	-
175.0	1.7	2	-	-	10.00	1656	640	NMRV-P075	TP112MR4	-	-
117.0	3.9	4	-	-	15.00	5516	1024	NMRV-P110	TH100LA4	-	-
117.0	3.9	4	-	-	15.00	5516	1024	NMRV-P110	TS100LA4	-	-
117.0	3.9	4	-	-	15.00	5516	1024	NMRV-P110	TP112MR4	-	-
117.0	2.4	2	-	-	15.00	3330	810	NMRV-P090	TH100LA4	-	-
117.0	2.4	2	-	-	15.00	3330	810	NMRV-P090	TS100LA4	-	-
117.0	2.4	2	-	-	15.00	3330	810	NMRV-P090	TP112MR4	-	-
117.0	1.4	1	-	-	15.00	1900	732	NMRV-P075	TH100LA4	-	-
117.0	1.4	1	-	-	15.00	1900	732	NMRV-P075	TS100LA4	-	-
117.0	1.4	1	-	-	15.00	1900	732	NMRV-P075	TP112MR4	-	-
88.0	2.9	3	-	-	20.00	5415	1127	NMRV-P110	TH100LA4	-	-
88.0	2.9	3	-	-	20.00	5415	1127	NMRV-P110	TS100LA4	-	-
88.0	2.9	3	-	-	20.00	5415	1127	NMRV-P110	TP112MR4	-	-
88.0	1.8	2	-	-	20.00	3288	892	NMRV-P090	TH100LA4	-	-
88.0	1.8	2	-	-	20.00	3288	892	NMRV-P090	TS100LA4	-	-
88.0	1.8	2	-	-	20.00	3288	892	NMRV-P090	TP112MR4	-	-
88.0	1.1	1	-	-	20.00	1953	806	NMRV-P075	TH100LA4	-	-
88.0	1.1	1	-	-	20.00	1953	806	NMRV-P075	TS100LA4	-	-
88.0	1.1	1	-	-	20.00	1953	806	NMRV-P075	TP112MR4	-	-
70.0	3.4	3	-	-	25.00	7819	1588	NMRV130	TH100LA4	-	-
70.0	3.4	3	-	-	25.00	7819	1588	NMRV130	TS100LA4	-	-
70.0	3.4	3	-	-	25.00	7819	1588	NMRV130	TP112MR4	-	-
70.0	2.5	2	-	-	25.00	5709	1214	NMRV-P110	TH100LA4	-	-

3 HP

Output speed [rpm]	Service factor sf	Output torque [in-lbs]	Ratio Stage 1	Ratio Stage 2	Exact ratio i	Max. torque [in-lbs]	OHL Output shaft [lbs]	Gearmotor		Gear Reducer	
								Reducer	Motor	Reducer	NEMA C-input
70.0	2.5	2	-	-	25.00	5709	1214	NMRV-P110	TS100LA4	-	-
70.0	2.5	2	-	-	25.00	5709	1214	NMRV-P110	TP112MR4	-	-
70.0	1.4	1	-	-	25.00	3145	961	NMRV-P090	TH100LA4	-	-
70.0	1.4	1	-	-	25.00	3145	961	NMRV-P090	TS100LA4	-	-
70.0	1.4	1	-	-	25.00	3145	961	NMRV-P090	TP112MR4	-	-
58.0	3.3	3	-	-	30.00	8745	1687	NMRV130	TH100LA4	-	-
58.0	3.3	3	-	-	30.00	8745	1687	NMRV130	TS100LA4	-	-
58.0	3.3	3	-	-	30.00	8745	1687	NMRV130	TP112MR4	-	-
58.0	2.3	2	-	-	30.00	6096	1290	NMRV-P110	TH100LA4	-	-
58.0	2.3	2	-	-	30.00	6096	1290	NMRV-P110	TS100LA4	-	-
58.0	2.3	2	-	-	30.00	6096	1290	NMRV-P110	TP112MR4	-	-
58.0	1.4	1	-	-	30.00	3632	1021	NMRV-P090	TH100LA4	-	-
58.0	1.4	1	-	-	30.00	3632	1021	NMRV-P090	TS100LA4	-	-
58.0	1.4	1	-	-	30.00	3632	1021	NMRV-P090	TP112MR4	-	-
44.0	2.6	3	-	-	40.00	8829	1857	NMRV130	TH100LA4	-	-
44.0	2.6	3	-	-	40.00	8829	1857	NMRV130	TS100LA4	-	-
44.0	2.6	3	-	-	40.00	8829	1857	NMRV130	TP112MR4	-	-
44.0	1.7	2	-	-	40.00	5903	1420	NMRV-P110	TH100LA4	-	-
44.0	1.7	2	-	-	40.00	5903	1420	NMRV-P110	TS100LA4	-	-
44.0	1.7	2	-	-	40.00	5903	1420	NMRV-P110	TP112MR4	-	-
44.0	1.0	1	-	-	40.00	3330	1123	NMRV-P090	TH100LA4	-	-
44.0	1.0	1	-	-	40.00	3330	1123	NMRV-P090	TS100LA4	-	-
44.0	1.0	1	-	-	40.00	3330	1123	NMRV-P090	TP112MR4	-	-
35.0	2.8	3	-	-	50.00	11772	2734	NMRV150	TH100LA4	-	-
35.0	2.8	3	-	-	50.00	11772	2734	NMRV150	TS100LA4	-	-
35.0	2.8	3	-	-	50.00	11772	2734	NMRV150	TP112MR4	-	-
35.0	2.0	2	-	-	50.00	8240	2000	NMRV130	TH100LA4	-	-
35.0	2.0	2	-	-	50.00	8240	2000	NMRV130	TS100LA4	-	-
35.0	2.0	2	-	-	50.00	8240	2000	NMRV130	TP112MR4	-	-
35.0	1.3	1	-	-	50.00	5550	1529	NMRV-P110	TH100LA4	-	-
35.0	1.3	1	-	-	50.00	5550	1529	NMRV-P110	TS100LA4	-	-
35.0	1.3	1	-	-	50.00	5550	1529	NMRV-P110	TP112MR4	-	-
29.0	2.2	2	-	-	60.00	10594	2906	NMRV150	TP112MR4	-	-
29.0	2.2	2	-	-	60.00	10594	2906	NMRV150	TS100LA4	-	-
29.0	2.2	2	-	-	60.00	10594	2906	NMRV150	TH100LA4	-	-
29.0	1.6	2	-	-	60.00	7567	2126	NMRV130	TH100LA4	-	-
29.0	1.6	2	-	-	60.00	7567	2126	NMRV130	TS100LA4	-	-
29.0	1.6	2	-	-	60.00	7567	2126	NMRV130	TP112MR4	-	-
29.0	1.1	1	-	-	60.00	5180	1625	NMRV-P110	TH100LA4	-	-
29.0	1.1	1	-	-	60.00	5180	1625	NMRV-P110	TS100LA4	-	-
29.0	1.1	1	-	-	60.00	5180	1625	NMRV-P110	TP112MR4	-	-

3 HP

Output speed [rpm]	Service factor sf	Output torque [in-lbs]	Ratio Stage 1	Ratio Stage 2	Exact ratio i	Max. torque [in-lbs]	OHL Output shaft [lbs]	Gearmotor		Gear Reducer	
								Reducer	Motor	Reducer	NEMA C-input
22.0	1.6	2	-	-	80.00	9670	3198	NMRV150	TS100LA4	-	-
22.0	1.6	2	-	-	80.00	9670	3198	NMRV150	TP112MR4	-	-
22.0	1.6	2	-	-	80.00	9670	3198	NMRV150	TH100LA4	-	-
22.0	1.2	1	-	-	80.00	7063	2339	NMRV130	TH100LA4	-	-
22.0	1.2	1	-	-	80.00	7063	2339	NMRV130	TS100LA4	-	-
22.0	1.2	1	-	-	80.00	7063	2339	NMRV130	TP112MR4	-	-
18.0	1.2	1	-	-	100.00	8409	3445	NMRV150	TS100LA4	-	-
18.0	1.2	1	-	-	100.00	8409	3445	NMRV150	TH100LA4	-	-
18.0	1.2	1	-	-	100.00	8409	3445	NMRV150	TP112MR4	-	-

5 HP

Output speed [rpm]	Service factor sf	Output torque [in-lbs]	Ratio Stage 1	Ratio Stage 2	Exact ratio i	Max. torque [in-lbs]	OHL Output shaft [lbs]	Gearmotor		Gear Reducer	
								Reducer	Motor	Reducer	NEMA C-input
233.0	3.8	4	-	-	7.50	4641	813	NMRV-P110	TH112M4	-	-
233.0	3.8	4	-	-	7.50	4641	813	NMRV-P110	TP112M4	-	-
233.0	3.8	4	-	-	7.50	4641	813	NMRV-P110	TS112MA4	-	-
233.0	2.2	2	-	-	7.50	2682	643	NMRV-P090	TH112M4	-	-
233.0	2.2	2	-	-	7.50	2682	643	NMRV-P090	TP112M4	-	-
233.0	2.2	2	-	-	7.50	2682	643	NMRV-P090	TS112MA4	-	-
233.0	1.3	1	-	-	7.50	1555	581	NMRV-P075	TH112M4	-	-
233.0	1.3	1	-	-	7.50	1555	581	NMRV-P075	TP112M4	-	-
233.0	1.3	1	-	-	7.50	1555	581	NMRV-P075	TS112MA4	-	-
175.0	3.1	3	-	-	10.00	5029	894	NMRV-P110	TH112M4	-	-
175.0	3.1	3	-	-	10.00	5029	894	NMRV-P110	TP112M4	-	-
175.0	3.1	3	-	-	10.00	5029	894	NMRV-P110	TS112MA4	-	-
175.0	1.8	2	-	-	10.00	2867	708	NMRV-P090	TH112M4	-	-
175.0	1.8	2	-	-	10.00	2867	708	NMRV-P090	TP112M4	-	-
175.0	1.8	2	-	-	10.00	2867	708	NMRV-P090	TS112MA4	-	-
175.0	1.0	1	-	-	10.00	1656	640	NMRV-P075	TH112M4	-	-
175.0	1.0	1	-	-	10.00	1656	640	NMRV-P075	TP112M4	-	-
175.0	1.0	1	-	-	10.00	1656	640	NMRV-P075	TS112MA4	-	-
117.0	2.3	2	-	-	15.00	5516	1024	NMRV-P110	TH112M4	-	-
117.0	2.3	2	-	-	15.00	5516	1024	NMRV-P110	TP112M4	-	-
117.0	2.3	2	-	-	15.00	5516	1024	NMRV-P110	TS112MA4	-	-
117.0	1.4	1	-	-	15.00	3330	810	NMRV-P090	TH112M4	-	-
117.0	1.4	1	-	-	15.00	3330	810	NMRV-P090	TP112M4	-	-
117.0	1.4	1	-	-	15.00	3330	810	NMRV-P090	TS112MA4	-	-
88.0	1.7	2	-	-	20.00	5415	1127	NMRV-P110	TH112M4	-	-
88.0	1.7	2	-	-	20.00	5415	1127	NMRV-P110	TP112M4	-	-
88.0	1.7	2	-	-	20.00	5415	1127	NMRV-P110	TS112MA4	-	-
88.0	1.1	1	-	-	20.00	3288	892	NMRV-P090	TH112M4	-	-



5 HP

Output speed [rpm]	Service factor sf	Output torque [in-lbs]	Ratio Stage 1	Ratio Stage 2	Exact ratio i	Max. torque [in-lbs]	OHL Output shaft [lbs]	Gearmotor		Gear Reducer	
								Reducer	Motor	Reducer	NEMA C-input
88.0	1.1	1	-	-	20.00	3288	892	NMRV-P090	TP112M4	-	-
88.0	1.1	1	-	-	20.00	3288	892	NMRV-P090	TS112MA4	-	-
70.0	2.0	2	-	-	25.00	7819	1588	NMRV130	TH112M4	-	-
70.0	2.0	2	-	-	25.00	7819	1588	NMRV130	TP112M4	-	-
70.0	2.0	2	-	-	25.00	7819	1588	NMRV130	TS112MA4	-	-
70.0	1.5	2	-	-	25.00	5709	1214	NMRV-P110	TH112M4	-	-
70.0	1.5	2	-	-	25.00	5709	1214	NMRV-P110	TP112M4	-	-
70.0	1.5	2	-	-	25.00	5709	1214	NMRV-P110	TS112MA4	-	-
58.0	2.0	2	-	-	30.00	8745	1687	NMRV130	TH112M4	-	-
58.0	2.0	2	-	-	30.00	8745	1687	NMRV130	TP112M4	-	-
58.0	2.0	2	-	-	30.00	8745	1687	NMRV130	TS112MA4	-	-
58.0	1.4	1	-	-	30.00	6096	1290	NMRV-P110	TH112M4	-	-
58.0	1.4	1	-	-	30.00	6096	1290	NMRV-P110	TP112M4	-	-
58.0	1.4	1	-	-	30.00	6096	1290	NMRV-P110	TS112MA4	-	-
44.0	1.6	2	-	-	40.00	8829	1857	NMRV130	TH112M4	-	-
44.0	1.6	2	-	-	40.00	8829	1857	NMRV130	TP112M4	-	-
44.0	1.6	2	-	-	40.00	8829	1857	NMRV130	TS112MA4	-	-
44.0	1.0	1	-	-	40.00	5903	1420	NMRV-P110	TH112M4	-	-
44.0	1.0	1	-	-	40.00	5903	1420	NMRV-P110	TP112M4	-	-
44.0	1.0	1	-	-	40.00	5903	1420	NMRV-P110	TS112MA4	-	-
35.0	1.7	2	-	-	50.00	11772	2734	NMRV150	TP112M4	-	-
35.0	1.7	2	-	-	50.00	11772	2734	NMRV150	TS112MA4	-	-
35.0	1.7	2	-	-	50.00	11772	2734	NMRV150	TH112M4	-	-
35.0	1.2	1	-	-	50.00	8240	2000	NMRV130	TH112M4	-	-
35.0	1.2	1	-	-	50.00	8240	2000	NMRV130	TP112M4	-	-
35.0	1.2	1	-	-	50.00	8240	2000	NMRV130	TS112MA4	-	-
29.0	1.3	1	-	-	60.00	10594	2906	NMRV150	TH112M4	-	-
29.0	1.3	1	-	-	60.00	10594	2906	NMRV150	TP112M4	-	-
29.0	1.3	1	-	-	60.00	10594	2906	NMRV150	TS112MA4	-	-

7.5 HP

Output speed [rpm]	Service factor sf	Output torque [in-lbs]	Ratio Stage 1	Ratio Stage 2	Exact ratio i	Max. torque [in-lbs]	OHL Output shaft [lbs]	Gearmotor		Gear Reducer	
								Reducer	Motor	Reducer	NEMA C-input
233.0	3.4	3	-	-	7.50	6306	1063	NMRV130	TP132MS4	-	-
233.0	3.4	3	-	-	7.50	6306	1063	NMRV130	TH132S4	-	-
233.0	3.4	3	-	-	7.50	6306	1063	NMRV130	TS132S4	-	-
233.0	2.5	2	-	-	7.50	4641	813	NMRV-P110	TP132MS4	-	-
233.0	2.5	2	-	-	7.50	4641	813	NMRV-P110	TH132S4	-	-
233.0	2.5	2	-	-	7.50	4641	813	NMRV-P110	TS132S4	-	-
175.0	2.9	3	-	-	10.00	6895	1170	NMRV130	TP132MS4	-	-
175.0	2.9	3	-	-	10.00	6895	1170	NMRV130	TH132S4	-	-

7.5 HP

Output speed [rpm]	Service factor sf	Output torque [in-lbs]	Ratio Stage 1	Ratio Stage 2	Exact ratio i	Max. torque [in-lbs]	OHL Output shaft [lbs]	Gearmotor		Gear Reducer	
								Reducer	Motor	Reducer	NEMA C-input
175.0	2.9	3	-	-	10.00	6895	1170	NMRV130	TS132S4	-	-
175.0	2.1	2	-	-	10.00	5029	894	NMRV-P110	TP132MS4	-	-
175.0	2.1	2	-	-	10.00	5029	894	NMRV-P110	TH132S4	-	-
175.0	2.1	2	-	-	10.00	5029	894	NMRV-P110	TS132S4	-	-
117.0	2.2	2	-	-	15.00	7735	1339	NMRV130	TP132MS4	-	-
117.0	2.2	2	-	-	15.00	7735	1339	NMRV130	TH132S4	-	-
117.0	2.2	2	-	-	15.00	7735	1339	NMRV130	TS132S4	-	-
117.0	1.6	2	-	-	15.00	5516	1024	NMRV-P110	TP132MS4	-	-
117.0	1.6	2	-	-	15.00	5516	1024	NMRV-P110	TH132S4	-	-
117.0	1.6	2	-	-	15.00	5516	1024	NMRV-P110	TS132S4	-	-
88.0	2.3	2	-	-	20.00	10930	2015	NMRV150	TP132MS4	-	-
88.0	2.3	2	-	-	20.00	10930	2015	NMRV150	TH132S4	-	-
88.0	2.3	2	-	-	20.00	10930	2015	NMRV150	TS132S4	-	-
88.0	1.6	2	-	-	20.00	7651	1474	NMRV130	TP132MS4	-	-
88.0	1.6	2	-	-	20.00	7651	1474	NMRV130	TH132S4	-	-
88.0	1.6	2	-	-	20.00	7651	1474	NMRV130	TS132S4	-	-
88.0	1.2	1	-	-	20.00	5415	1127	NMRV-P110	TP132MS4	-	-
88.0	1.2	1	-	-	20.00	5415	1127	NMRV-P110	TH132S4	-	-
88.0	1.2	1	-	-	20.00	5415	1127	NMRV-P110	TS132S4	-	-
70.0	1.8	2	-	-	25.00	10090	2170	NMRV150	TS132S4	-	-
70.0	1.8	2	-	-	25.00	10090	2170	NMRV150	TP132MS4	-	-
70.0	1.8	2	-	-	25.00	10090	2170	NMRV150	TH132S4	-	-
70.0	1.4	1	-	-	25.00	7819	1588	NMRV130	TP132MS4	-	-
70.0	1.4	1	-	-	25.00	7819	1588	NMRV130	TH132S4	-	-
70.0	1.4	1	-	-	25.00	7819	1588	NMRV130	TS132S4	-	-
58.0	1.5	2	-	-	30.00	10090	2306	NMRV150	TS132S4	-	-
58.0	1.5	2	-	-	30.00	10090	2306	NMRV150	TP132MS4	-	-
58.0	1.5	2	-	-	30.00	10090	2306	NMRV150	TH132S4	-	-
58.0	1.3	1	-	-	30.00	8745	1687	NMRV130	TP132MS4	-	-
58.0	1.3	1	-	-	30.00	8745	1687	NMRV130	TH132S4	-	-
58.0	1.3	1	-	-	30.00	8745	1687	NMRV130	TS132S4	-	-
44.0	1.5	2	-	-	40.00	13033	2538	NMRV150	TP132MS4	-	-
44.0	1.5	2	-	-	40.00	13033	2538	NMRV150	TS132S4	-	-
44.0	1.5	2	-	-	40.00	13033	2538	NMRV150	TH132S4	-	-
44.0	1.0	1	-	-	40.00	8829	1857	NMRV130	TP132MS4	-	-
44.0	1.0	1	-	-	40.00	8829	1857	NMRV130	TH132S4	-	-
44.0	1.0	1	-	-	40.00	8829	1857	NMRV130	TS132S4	-	-
35.0	1.1	1	-	-	50.00	11772	2734	NMRV150	TH132S4	-	-
35.0	1.1	1	-	-	50.00	11772	2734	NMRV150	TP132MS4	-	-
35.0	1.1	1	-	-	50.00	11772	2734	NMRV150	TS132S4	-	-

10 HP

Output speed [rpm]	Service factor sf	Output torque [in-lbs]	Ratio Stage 1	Ratio Stage 2	Exact ratio i	Max. torque [in-lbs]	OHL Output shaft [lbs]	Gearmotor		Gear Reducer	
								Reducer	Motor	Reducer	NEMA C-input
233.0	2.6	3	-	-	7.50	6306	1063	NMRV130	TH132MA4	-	-
233.0	2.6	3	-	-	7.50	6306	1063	NMRV130	TP132M4	-	-
233.0	2.6	3	-	-	7.50	6306	1063	NMRV130	TS132MA4	-	-
233.0	1.9	2	-	-	7.50	4641	813	NMRV-P110	TH132MA4	-	-
233.0	1.9	2	-	-	7.50	4641	813	NMRV-P110	TP132M4	-	-
233.0	1.9	2	-	-	7.50	4641	813	NMRV-P110	TS132MA4	-	-
175.0	2.2	2	-	-	10.00	6895	1170	NMRV130	TH132MA4	-	-
175.0	2.2	2	-	-	10.00	6895	1170	NMRV130	TP132M4	-	-
175.0	2.2	2	-	-	10.00	6895	1170	NMRV130	TS132MA4	-	-
175.0	1.6	2	-	-	10.00	5029	894	NMRV-P110	TH132MA4	-	-
175.0	1.6	2	-	-	10.00	5029	894	NMRV-P110	TP132M4	-	-
175.0	1.6	2	-	-	10.00	5029	894	NMRV-P110	TS132MA4	-	-
117.0	1.6	2	-	-	15.00	7735	1339	NMRV130	TH132MA4	-	-
117.0	1.6	2	-	-	15.00	7735	1339	NMRV130	TP132M4	-	-
117.0	1.6	2	-	-	15.00	7735	1339	NMRV130	TS132MA4	-	-
117.0	1.2	1	-	-	15.00	5516	1024	NMRV-P110	TH132MA4	-	-
117.0	1.2	1	-	-	15.00	5516	1024	NMRV-P110	TP132M4	-	-
117.0	1.2	1	-	-	15.00	5516	1024	NMRV-P110	TS132MA4	-	-
88.0	1.7	2	-	-	20.00	10930	2015	NMRV150	TH132MA4	-	-
88.0	1.7	2	-	-	20.00	10930	2015	NMRV150	TP132M4	-	-
88.0	1.7	2	-	-	20.00	10930	2015	NMRV150	TS132MA4	-	-
88.0	1.2	1	-	-	20.00	7651	1474	NMRV130	TH132MA4	-	-
88.0	1.2	1	-	-	20.00	7651	1474	NMRV130	TP132M4	-	-
88.0	1.2	1	-	-	20.00	7651	1474	NMRV130	TS132MA4	-	-
70.0	1.3	1	-	-	25.00	10090	2170	NMRV150	TH132MA4	-	-
70.0	1.3	1	-	-	25.00	10090	2170	NMRV150	TP132M4	-	-
70.0	1.3	1	-	-	25.00	10090	2170	NMRV150	TS132MA4	-	-
70.0	1.0	1	-	-	25.00	7819	1588	NMRV130	TH132MA4	-	-
70.0	1.0	1	-	-	25.00	7819	1588	NMRV130	TP132M4	-	-
70.0	1.0	1	-	-	25.00	7819	1588	NMRV130	TS132MA4	-	-
58.0	1.1	1	-	-	30.00	10090	2306	NMRV150	TS132MA4	-	-
58.0	1.1	1	-	-	30.00	10090	2306	NMRV150	TH132MA4	-	-
58.0	1.1	1	-	-	30.00	10090	2306	NMRV150	TP132M4	-	-
44.0	1.1	1	-	-	40.00	13033	2538	NMRV150	TH132MA4	-	-
44.0	1.1	1	-	-	40.00	13033	2538	NMRV150	TS132MA4	-	-
44.0	1.1	1	-	-	40.00	13033	2538	NMRV150	TP132M4	-	-

15 HP

Output speed [rpm]	Service factor sf	Output torque [in-lbs]	Ratio Stage 1	Ratio Stage 2	Exact ratio i	Max. torque [in-lbs]	OHL Output shaft [lbs]	Gearmotor		Gear Reducer	
								Reducer	Motor	Reducer	NEMA C-input
233.0	2.7	3	-	-	7.50	10090	1453	NMRV150	TS160S4	-	-

## 15 HP

Output speed [rpm]	Service factor sf	Output torque [in-lbs]	Ratio Stage 1	Ratio Stage 2	Exact ratio i	Max. torque [in-lbs]	OHL Output shaft [lbs]	Gearmotor		Gear Reducer	
								Reducer	Motor	Reducer	NEMA C-input
233.0	1.7	2	-	-	7.50	6306	1063	NMRV130	TS132MC4	-	-
233.0	1.3	1	-	-	7.50	4641	813	NMRV-P110	TS132MC4	-	-
175.0	2.1	2	-	-	10.00	10426	1599	NMRV150	TS160S4	-	-
175.0	1.4	1	-	-	10.00	6895	1170	NMRV130	TS132MC4	-	-
175.0	1.0	1	-	-	10.00	5029	894	NMRV-P110	TS132MC4	-	-
117.0	1.5	2	-	-	15.00	10510	1831	NMRV150	TS160S4	-	-
117.0	1.1	1	-	-	15.00	7735	1339	NMRV130	TS132MC4	-	-
88.0	1.2	1	-	-	20.00	10930	2015	NMRV150	TS132MC4	-	-
88.0	1.2	1	-	-	20.00	10930	2015	NMRV150	TS160S4	-	-

Maximum torque [in-lbs]	Output speed [rpm]	Exact ratio i	Maximum Power [HP]	OHL		Gear Reducer	
				Output shaft [lbs]	Input shaft [lbs]	Motorized Input	Shaft Input
115	175.0	5.00	0.38	115	-	NMRV025	-
115	117.0	7.50	0.25	132	-	NMRV025	-
124	88.0	10.00	0.21	146	-	NMRV025	-
124	58.0	15.00	0.15	167	-	NMRV025	-
115	44.0	20.00	0.11	183	-	NMRV025	-
133	29.0	30.00	0.09	210	-	NMRV025	-
124	22.0	40.00	0.07	231	-	NMRV025	-
115	18.0	50.00	0.06	249	-	NMRV025	-
97	15.0	60.00	0.04	264	-	NMRV025	-
186	175.0	5.00	0.61	157	47	NMRV030	NRV030
186	117.0	7.50	0.41	180	47	NMRV030	NRV030
186	88.0	10.00	0.32	198	47	NMRV030	NRV030
186	58.0	15.00	0.23	226	47	NMRV030	NRV030
177	44.0	20.00	0.17	249	47	NMRV030	NRV030
212	35.0	25.00	0.18	268	47	NMRV030	NRV030
195	29.0	30.00	0.15	285	47	NMRV030	NRV030
186	22.0	40.00	0.12	314	47	NMRV030	NRV030
168	18.0	50.00	0.09	338	47	NMRV030	NRV030
150	15.0	60.00	0.07	359	47	NMRV030	NRV030
133	11.0	80.00	0.05	395	47	NMRV030	NRV030
372	175.0	5.00	1.19	302	79	NMRV040	NRV040
407	117.0	7.50	0.89	346	79	NMRV040	NRV040
425	88.0	10.00	0.71	381	79	NMRV040	NRV040
442	58.0	15.00	0.52	436	79	NMRV040	NRV040
425	44.0	20.00	0.39	479	79	NMRV040	NRV040
398	35.0	25.00	0.3	517	79	NMRV040	NRV040
469	29.0	30.00	0.32	549	79	NMRV040	NRV040
442	22.0	40.00	0.24	604	79	NMRV040	NRV040
407	18.0	50.00	0.19	651	79	NMRV040	NRV040
363	15.0	60.00	0.15	692	79	NMRV040	NRV040
310	11.0	80.00	0.11	761	79	NMRV040	NRV040
283	9.0	100.00	0.09	785	79	NMRV040	NRV040
726	175.0	5.00	2.29	415	110	NMRV050	NRV050
805	117.0	7.50	1.73	475	110	NMRV050	NRV050
814	88.0	10.00	1.33	522	110	NMRV050	NRV050
814	58.0	15.00	0.94	598	110	NMRV050	NRV050
734	44.0	20.00	0.66	658	110	NMRV050	NRV050
672	35.0	25.00	0.5	709	110	NMRV050	NRV050
832	29.0	30.00	0.56	753	110	NMRV050	NRV050
779	22.0	40.00	0.42	829	110	NMRV050	NRV050
717	18.0	50.00	0.33	893	110	NMRV050	NRV050
672	15.0	60.00	0.28	949	110	NMRV050	NRV050
602	11.0	80.00	0.21	1045	110	NMRV050	NRV050

Maximum torque [in-lbs]	Output speed [rpm]	Exact ratio i	Maximum Power [HP]	OHL		Gear Reducer	
				Output shaft [lbs]	Input shaft [lbs]	Motorized Input	Shaft Input
495	9.0	100.00	0.15	1088	110	NMRV050	NRV050
1336	117.0	7.50	2.81	620	157	NMRV-P063	NRV-P063
1354	88.0	10.00	2.21	683	157	NMRV-P063	NRV-P063
1470	58.0	15.00	1.66	782	157	NMRV-P063	NRV-P063
1398	44.0	20.00	1.24	860	157	NMRV-P063	NRV-P063
1292	35.0	25.00	0.94	927	157	NMRV-P063	NRV-P063
1572	29.0	30.00	1.02	985	157	NMRV-P063	NRV-P063
1478	22.0	40.00	0.78	1084	157	NMRV-P063	NRV-P063
1385	18.0	50.00	0.62	1168	157	NMRV-P063	NRV-P063
1319	15.0	60.00	0.52	1241	157	NMRV-P063	NRV-P063
1182	11.0	80.00	0.39	1366	157	NMRV-P063	NRV-P063
1097	9.0	100.00	0.32	1410	157	NMRV-P063	NRV-P063
1903	117.0	7.50	4	732	220	NMRV-P075	NRV-P075
2036	88.0	10.00	3.32	806	220	NMRV-P075	NRV-P075
2263	58.0	15.00	2.55	923	220	NMRV-P075	NRV-P075
2263	44.0	20.00	2.01	1015	220	NMRV-P075	NRV-P075
2131	35.0	25.00	1.56	1094	220	NMRV-P075	NRV-P075
2543	29.0	30.00	1.66	1162	220	NMRV-P075	NRV-P075
2453	22.0	40.00	1.29	1279	220	NMRV-P075	NRV-P075
2255	18.0	50.00	1.01	1378	220	NMRV-P075	NRV-P075
2184	15.0	60.00	0.86	1464	220	NMRV-P075	NRV-P075
1949	11.0	80.00	0.64	1612	220	NMRV-P075	NRV-P075
1735	9.0	100.00	0.5	1659	220	NMRV-P075	NRV-P075
3310	117.0	7.50	6.88	810	286	NMRV-P090	NRV-P090
3602	88.0	10.00	5.75	892	286	NMRV-P090	NRV-P090
4089	58.0	15.00	4.45	1021	286	NMRV-P090	NRV-P090
3797	44.0	20.00	3.21	1123	286	NMRV-P090	NRV-P090
3602	35.0	25.00	2.5	1210	286	NMRV-P090	NRV-P090
4293	29.0	30.00	2.61	1286	286	NMRV-P090	NRV-P090
3992	22.0	40.00	1.92	1416	286	NMRV-P090	NRV-P090
3797	18.0	50.00	1.53	1525	286	NMRV-P090	NRV-P090
3408	15.0	60.00	1.21	1620	286	NMRV-P090	NRV-P090
2788	11.0	80.00	0.81	1783	286	NMRV-P090	NRV-P090
2478	9.0	100.00	0.63	1839	286	NMRV-P090	NRV-P090
5753	117.0	7.50	11.96	1024	382	NMRV-P110	NRV-P110
6311	88.0	10.00	9.96	1127	382	NMRV-P110	NRV-P110
6718	58.0	15.00	7.23	1290	382	NMRV-P110	NRV-P110
6417	44.0	20.00	5.3	1420	382	NMRV-P110	NRV-P110
6718	35.0	25.00	4.55	1529	382	NMRV-P110	NRV-P110
7434	29.0	30.00	4.47	1625	382	NMRV-P110	NRV-P110
7027	22.0	40.00	3.25	1789	382	NMRV-P110	NRV-P110
6620	18.0	50.00	2.55	1927	382	NMRV-P110	NRV-P110
6036	15.0	60.00	2.02	2047	382	NMRV-P110	NRV-P110

Maximum torque [in-lbs]	Output speed [rpm]	Exact ratio i	Maximum Power [HP]	OHL		Gear Reducer	
				Output shaft [lbs]	Input shaft [lbs]	Motorized Input	Shaft Input
5019	11.0	80.00	1.36	2254	382	NMRV-P110	NRV-P110
4558	9.0	100.00	1.07	2320	382	NMRV-P110	NRV-P110
7788	117.0	7.50	17.58	1339	472	NMRV130	NRV130
8497	88.0	10.00	14.56	1474	472	NMRV130	NRV130
9382	58.0	15.00	11.42	1687	472	NMRV130	NRV130
9205	44.0	20.00	8.52	1857	472	NMRV130	NRV130
9293	35.0	25.00	7.07	2000	472	NMRV130	NRV130
10355	29.0	30.00	7.26	2126	472	NMRV130	NRV130
9736	22.0	40.00	5.36	2339	472	NMRV130	NRV130
9293	18.0	50.00	4.3	2520	472	NMRV130	NRV130
8320	15.0	60.00	3.44	2678	472	NMRV130	NRV130
7611	11.0	80.00	2.59	2948	472	NMRV130	NRV130
6903	9.0	100.00	2.04	3035	472	NMRV130	NRV130
20357	117.0	7.50	45.95	1831	629	NMRV150	NRV150
20799	88.0	10.00	35.65	2015	629	NMRV150	NRV150
20003	58.0	15.00	23.73	2306	629	NMRV150	NRV150
20710	44.0	20.00	19.17	2538	629	NMRV150	NRV150
18144	35.0	25.00	13.8	2734	629	NMRV150	NRV150
18587	29.0	30.00	12.11	2906	629	NMRV150	NRV150
23631	22.0	40.00	12.81	3198	629	NMRV150	NRV150
20622	18.0	50.00	9.54	3445	629	NMRV150	NRV150
18410	15.0	60.00	7.47	3661	629	NMRV150	NRV150
16639	11.0	80.00	5.66	4030	629	NMRV150	NRV150
14603	9.0	100.00	4.31	4047	629	NMRV150	NRV150

Maximum torque [in-lbs]	Output speed [rpm]	Exact ratio i	Maximum Power [HP]	OHL		Gear Reducer	
				Output shaft [lbs]	Input shaft [lbs]	Motorized Input	Shaft Input
106	228.0	5.00	0.45	106	-	NMRV025	-
106	152.0	7.50	0.3	121	-	NMRV025	-
115	114.0	10.00	0.25	133	-	NMRV025	-
115	76.0	15.00	0.18	153	-	NMRV025	-
111	57.0	20.00	0.14	168	-	NMRV025	-
124	38.0	30.00	0.11	192	-	NMRV025	-
119	29.0	40.00	0.09	211	-	NMRV025	-
106	23.0	50.00	0.07	228	-	NMRV025	-
93	19.0	60.00	0.05	242	-	NMRV025	-
177	228.0	5.00	0.74	144	39	NMRV030	NRV030
177	152.0	7.50	0.51	164	39	NMRV030	NRV030
177	114.0	10.00	0.39	181	44	NMRV030	NRV030
177	76.0	15.00	0.28	207	44	NMRV030	NRV030
168	57.0	20.00	0.21	228	47	NMRV030	NRV030
204	46.0	25.00	0.22	246	47	NMRV030	NRV030
190	38.0	30.00	0.18	261	47	NMRV030	NRV030
177	29.0	40.00	0.14	287	47	NMRV030	NRV030
164	23.0	50.00	0.11	310	47	NMRV030	NRV030
146	19.0	60.00	0.09	329	47	NMRV030	NRV030
124	14.0	80.00	0.06	362	47	NMRV030	NRV030
345	228.0	5.00	1.42	277	65	NMRV040	NRV040
389	152.0	7.50	1.09	317	74	NMRV040	NRV040
407	114.0	10.00	0.88	348	79	NMRV040	NRV040
416	76.0	15.00	0.62	399	79	NMRV040	NRV040
403	57.0	20.00	0.47	439	79	NMRV040	NRV040
372	46.0	25.00	0.36	473	79	NMRV040	NRV040
447	38.0	30.00	0.39	503	79	NMRV040	NRV040
420	29.0	40.00	0.29	553	79	NMRV040	NRV040
389	23.0	50.00	0.23	596	79	NMRV040	NRV040
354	19.0	60.00	0.19	633	79	NMRV040	NRV040
301	14.0	80.00	0.13	697	79	NMRV040	NRV040
270	11.0	100.00	0.11	751	79	NMRV040	NRV040
664	228.0	5.00	2.7	380	90	NMRV050	NRV050
743	152.0	7.50	2.06	435	101	NMRV050	NRV050
757	114.0	10.00	1.59	478	110	NMRV050	NRV050
765	76.0	15.00	1.13	547	110	NMRV050	NRV050
712	57.0	20.00	0.82	603	110	NMRV050	NRV050
650	46.0	25.00	0.62	649	110	NMRV050	NRV050
805	38.0	30.00	0.68	690	110	NMRV050	NRV050
752	29.0	40.00	0.52	759	110	NMRV050	NRV050
699	23.0	50.00	0.41	818	110	NMRV050	NRV050
655	19.0	60.00	0.34	869	110	NMRV050	NRV050
588	14.0	80.00	0.26	957	110	NMRV050	NRV050



Maximum torque [in-lbs]	Output speed [rpm]	Exact ratio i	Maximum Power [HP]	OHL		Gear Reducer	
				Output shaft [lbs]	Input shaft [lbs]	Motorized Input	Shaft Input
491	11.0	100.00	0.19	1030	110	NMRV050	NRV050
1234	152.0	7.50	3.36	568	130	NMRV-P063	NRV-P063
1262	114.0	10.00	2.65	625	150	NMRV-P063	NRV-P063
1408	76.0	15.00	2.04	716	157	NMRV-P063	NRV-P063
1363	57.0	20.00	1.53	788	157	NMRV-P063	NRV-P063
1249	46.0	25.00	1.16	848	157	NMRV-P063	NRV-P063
1486	38.0	30.00	1.22	902	157	NMRV-P063	NRV-P063
1413	29.0	40.00	0.93	992	157	NMRV-P063	NRV-P063
1342	23.0	50.00	0.75	1069	157	NMRV-P063	NRV-P063
1271	19.0	60.00	0.62	1136	157	NMRV-P063	NRV-P063
1145	14.0	80.00	0.46	1250	157	NMRV-P063	NRV-P063
1071	11.0	100.00	0.38	1347	157	NMRV-P063	NRV-P063
1771	152.0	7.50	4.82	670	182	NMRV-P075	NRV-P075
1881	114.0	10.00	3.92	738	218	NMRV-P075	NRV-P075
2213	76.0	15.00	3.16	845	220	NMRV-P075	NRV-P075
2212	57.0	20.00	2.47	930	220	NMRV-P075	NRV-P075
2014	46.0	25.00	1.84	1001	220	NMRV-P075	NRV-P075
2340	38.0	30.00	1.89	1064	220	NMRV-P075	NRV-P075
2315	29.0	40.00	1.49	1171	220	NMRV-P075	NRV-P075
2123	23.0	50.00	1.15	1262	220	NMRV-P075	NRV-P075
2040	19.0	60.00	0.97	1341	220	NMRV-P075	NRV-P075
1835	14.0	80.00	0.72	1476	220	NMRV-P075	NRV-P075
1664	11.0	100.00	0.57	1590	220	NMRV-P075	NRV-P075
3067	152.0	7.50	8.25	742	234	NMRV-P090	NRV-P090
3310	114.0	10.00	6.79	816	286	NMRV-P090	NRV-P090
3797	76.0	15.00	5.31	935	286	NMRV-P090	NRV-P090
3629	57.0	20.00	3.92	1029	286	NMRV-P090	NRV-P090
3456	46.0	25.00	3.06	1108	286	NMRV-P090	NRV-P090
4058	38.0	30.00	3.14	1178	286	NMRV-P090	NRV-P090
3748	29.0	40.00	2.28	1296	286	NMRV-P090	NRV-P090
3554	23.0	50.00	1.8	1396	286	NMRV-P090	NRV-P090
3262	19.0	60.00	1.45	1484	286	NMRV-P090	NRV-P090
2655	14.0	80.00	0.96	1633	286	NMRV-P090	NRV-P090
2434	11.0	100.00	0.76	1759	286	NMRV-P090	NRV-P090
5320	152.0	7.50	14.32	937	312	NMRV-P110	NRV-P110
5802	114.0	10.00	11.84	1032	382	NMRV-P110	NRV-P110
6262	76.0	15.00	8.72	1181	382	NMRV-P110	NRV-P110
6059	57.0	20.00	6.43	1300	382	NMRV-P110	NRV-P110
6364	46.0	25.00	5.49	1400	382	NMRV-P110	NRV-P110
6926	38.0	30.00	5.3	1488	382	NMRV-P110	NRV-P110
6620	29.0	40.00	3.87	1638	382	NMRV-P110	NRV-P110
6231	23.0	50.00	3.03	1764	382	NMRV-P110	NRV-P110
5744	19.0	60.00	2.4	1875	382	NMRV-P110	NRV-P110

Maximum torque [in-lbs]	Output speed [rpm]	Exact ratio i	Maximum Power [HP]	OHL		Gear Reducer	
				Output shaft [lbs]	Input shaft [lbs]	Motorized Input	Shaft Input
4788	14.0	80.00	1.63	2063	382	NMRV-P110	NRV-P110
4416	11.0	100.00	1.29	2223	382	NMRV-P110	NRV-P110
7213	152.0	7.50	19.33	1226	391	NMRV130	NRV130
7877	114.0	10.00	16.19	1349	472	NMRV130	NRV130
8763	76.0	15.00	12.43	1545	472	NMRV130	NRV130
8630	57.0	20.00	9.18	1700	472	NMRV130	NRV130
8763	46.0	25.00	7.64	1831	472	NMRV130	NRV130
9780	38.0	30.00	7.46	1946	472	NMRV130	NRV130
9515	29.0	40.00	5.66	2142	472	NMRV130	NRV130
8984	23.0	50.00	4.45	2307	472	NMRV130	NRV130
8142	19.0	60.00	3.51	2452	472	NMRV130	NRV130
7523	14.0	80.00	2.62	2699	472	NMRV130	NRV130
6727	11.0	100.00	2.03	2907	472	NMRV130	NRV130
12391	152.0	7.50	33.2	1676	510	NMRV150	NRV150
13099	114.0	10.00	26.62	1845	607	NMRV150	NRV150
12834	76.0	15.00	17.79	2112	595	NMRV150	NRV150
13276	57.0	20.00	14.12	2324	629	NMRV150	NRV150
12214	46.0	25.00	10.52	2504	629	NMRV150	NRV150
12391	38.0	30.00	9.11	2661	629	NMRV150	NRV150
15932	29.0	40.00	9.48	2928	629	NMRV150	NRV150
14161	23.0	50.00	6.92	3154	629	NMRV150	NRV150
12745	19.0	60.00	5.41	3352	629	NMRV150	NRV150
11505	14.0	80.00	3.94	3689	629	NMRV150	NRV150
10178	11.0	100.00	3.02	3974	629	NMRV150	NRV150

Maximum torque [in-lbs]	Output speed [rpm]	Exact ratio i	Maximum Power [HP]	OHL		Gear Reducer	
				Output shaft [lbs]	Input shaft [lbs]	Motorized Input	Shaft Input
92	350.0	5.00	0.59	92	-	NMRV025	-
92	233.0	7.50	0.4	105	-	NMRV025	-
101	175.0	10.00	0.34	115	-	NMRV025	-
101	117.0	15.00	0.24	132	-	NMRV025	-
101	88.0	20.00	0.19	146	-	NMRV025	-
109	58.0	30.00	0.15	167	-	NMRV025	-
109	44.0	40.00	0.12	183	-	NMRV025	-
92	35.0	50.00	0.09	197	-	NMRV025	-
84	29.0	60.00	0.07	210	-	NMRV025	-
160	350.0	5.00	1.02	125	34	NMRV030	NRV030
160	233.0	7.50	0.7	143	34	NMRV030	NRV030
160	175.0	10.00	0.54	157	38	NMRV030	NRV030
160	117.0	15.00	0.38	180	38	NMRV030	NRV030
151	88.0	20.00	0.28	198	40	NMRV030	NRV030
185	70.0	25.00	0.3	213	47	NMRV030	NRV030
177	58.0	30.00	0.25	226	47	NMRV030	NRV030
160	44.0	40.00	0.19	249	47	NMRV030	NRV030
151	35.0	50.00	0.15	268	47	NMRV030	NRV030
134	29.0	60.00	0.12	285	47	NMRV030	NRV030
109	22.0	80.00	0.08	314	47	NMRV030	NRV030
303	350.0	5.00	1.89	240	56	NMRV040	NRV040
353	233.0	7.50	1.5	274	65	NMRV040	NRV040
370	175.0	10.00	1.21	302	77	NMRV040	NRV040
370	117.0	15.00	0.83	346	77	NMRV040	NRV040
361	88.0	20.00	0.63	381	79	NMRV040	NRV040
328	70.0	25.00	0.48	410	79	NMRV040	NRV040
403	58.0	30.00	0.53	436	79	NMRV040	NRV040
378	44.0	40.00	0.4	479	79	NMRV040	NRV040
353	35.0	50.00	0.31	517	79	NMRV040	NRV040
319	29.0	60.00	0.25	549	79	NMRV040	NRV040
277	22.0	80.00	0.18	604	79	NMRV040	NRV040
244	18.0	100.00	0.14	651	79	NMRV040	NRV040
572	350.0	5.00	3.57	329	79	NMRV050	NRV050
647	233.0	7.50	2.72	377	89	NMRV050	NRV050
664	175.0	10.00	2.12	415	110	NMRV050	NRV050
681	117.0	15.00	1.52	475	110	NMRV050	NRV050
656	88.0	20.00	1.14	522	110	NMRV050	NRV050
597	70.0	25.00	0.86	563	110	NMRV050	NRV050
740	58.0	30.00	0.94	598	110	NMRV050	NRV050
689	44.0	40.00	0.7	658	110	NMRV050	NRV050
647	35.0	50.00	0.56	709	110	NMRV050	NRV050
605	29.0	60.00	0.47	753	110	NMRV050	NRV050
546	22.0	80.00	0.35	829	110	NMRV050	NRV050

Maximum torque [in-lbs]	Output speed [rpm]	Exact ratio i	Maximum Power [HP]	OHL		Gear Reducer	
				Output shaft [lbs]	Input shaft [lbs]	Motorized Input	Shaft Input
462	18.0	100.00	0.26	893	110	NMRV050	NRV050
1076	233.0	7.50	4.46	492	112	NMRV-P063	NRV-P063
1108	175.0	10.00	3.52	542	130	NMRV-P063	NRV-P063
1236	117.0	15.00	2.7	620	145	NMRV-P063	NRV-P063
1225	88.0	20.00	2.06	683	157	NMRV-P063	NRV-P063
1124	70.0	25.00	1.56	736	157	NMRV-P063	NRV-P063
1345	58.0	30.00	1.64	782	157	NMRV-P063	NRV-P063
1261	44.0	40.00	1.21	860	157	NMRV-P063	NRV-P063
1208	35.0	50.00	0.99	927	157	NMRV-P063	NRV-P063
1135	29.0	60.00	0.82	985	157	NMRV-P063	NRV-P063
1027	22.0	80.00	0.6	1084	157	NMRV-P063	NRV-P063
992	18.0	100.00	0.51	1168	157	NMRV-P063	NRV-P063
1555	233.0	7.50	6.44	581	157	NMRV-P075	NRV-P075
1656	175.0	10.00	5.2	640	189	NMRV-P075	NRV-P075
1900	117.0	15.00	4.07	732	216	NMRV-P075	NRV-P075
1953	88.0	20.00	3.24	806	220	NMRV-P075	NRV-P075
1784	70.0	25.00	2.43	868	220	NMRV-P075	NRV-P075
2028	58.0	30.00	2.41	923	220	NMRV-P075	NRV-P075
2029	44.0	40.00	1.9	1015	220	NMRV-P075	NRV-P075
1881	35.0	50.00	1.47	1094	220	NMRV-P075	NRV-P075
1778	29.0	60.00	1.22	1162	220	NMRV-P075	NRV-P075
1632	22.0	80.00	0.91	1279	220	NMRV-P075	NRV-P075
1517	18.0	100.00	0.74	1378	220	NMRV-P075	NRV-P075
2682	233.0	7.50	10.98	643	202	NMRV-P090	NRV-P090
2867	175.0	10.00	8.92	708	243	NMRV-P090	NRV-P090
3330	117.0	15.00	7.05	810	283	NMRV-P090	NRV-P090
3288	88.0	20.00	5.33	892	286	NMRV-P090	NRV-P090
3145	70.0	25.00	4.18	961	286	NMRV-P090	NRV-P090
3632	58.0	30.00	4.21	1021	286	NMRV-P090	NRV-P090
3330	44.0	40.00	3.01	1123	286	NMRV-P090	NRV-P090
3145	35.0	50.00	2.36	1210	286	NMRV-P090	NRV-P090
2960	29.0	60.00	1.93	1286	286	NMRV-P090	NRV-P090
2397	22.0	80.00	1.27	1416	286	NMRV-P090	NRV-P090
2271	18.0	100.00	1.03	1525	286	NMRV-P090	NRV-P090
4641	233.0	7.50	19	813	270	NMRV-P110	NRV-P110
5029	175.0	10.00	15.61	894	329	NMRV-P110	NRV-P110
5516	117.0	15.00	11.65	1024	361	NMRV-P110	NRV-P110
5415	88.0	20.00	8.68	1127	382	NMRV-P110	NRV-P110
5709	70.0	25.00	7.4	1214	382	NMRV-P110	NRV-P110
6096	58.0	30.00	6.98	1290	382	NMRV-P110	NRV-P110
5903	44.0	40.00	5.13	1420	382	NMRV-P110	NRV-P110
5550	35.0	50.00	4.01	1529	382	NMRV-P110	NRV-P110
5180	29.0	60.00	3.2	1625	382	NMRV-P110	NRV-P110

Maximum torque [in-lbs]	Output speed [rpm]	Exact ratio i	Maximum Power [HP]	OHL		Gear Reducer	
				Output shaft [lbs]	Input shaft [lbs]	Motorized Input	Shaft Input
4330	22.0	80.00	2.17	1789	382	NMRV-P110	NRV-P110
4061	18.0	100.00	1.73	1927	382	NMRV-P110	NRV-P110
6306	233.0	7.50	25.65	1063	337	NMRV130	NRV130
6895	175.0	10.00	21.51	1170	415	NMRV130	NRV130
7735	117.0	15.00	16.46	1339	465	NMRV130	NRV130
7651	88.0	20.00	12.21	1474	472	NMRV130	NRV130
7819	70.0	25.00	10.22	1588	472	NMRV130	NRV130
8745	58.0	30.00	9.99	1687	472	NMRV130	NRV130
8829	44.0	40.00	7.76	1857	472	NMRV130	NRV130
8240	35.0	50.00	6.02	2000	472	NMRV130	NRV130
7567	29.0	60.00	4.8	2126	472	NMRV130	NRV130
7063	22.0	80.00	3.55	2339	472	NMRV130	NRV130
6222	18.0	100.00	2.66	2520	472	NMRV130	NRV130
10090	233.0	7.50	41.05	1453	438	NMRV150	NRV150
10426	175.0	10.00	32.16	1599	510	NMRV150	NRV150
10510	117.0	15.00	22.11	1831	514	NMRV150	NRV150
10930	88.0	20.00	17.44	2015	601	NMRV150	NRV150
10090	70.0	25.00	13.18	2170	629	NMRV150	NRV150
10090	58.0	30.00	11.12	2306	629	NMRV150	NRV150
13033	44.0	40.00	11.45	2538	629	NMRV150	NRV150
11772	35.0	50.00	8.49	2734	629	NMRV150	NRV150
10594	29.0	60.00	6.62	2906	629	NMRV150	NRV150
9670	22.0	80.00	4.86	3198	629	NMRV150	NRV150
8409	18.0	100.00	3.59	3445	629	NMRV150	NRV150

Maximum torque [in-lbs]	Output speed [rpm]	Exact ratio i	Maximum Power [HP]	OHL		Gear Reducer	
				Output shaft [lbs]	Input shaft [lbs]	Motorized Input	Shaft Input
67	700.0	5.00	0.84	73	-	NMRV025	-
67	467.0	7.50	0.57	83	-	NMRV025	-
76	350.0	10.00	0.49	92	-	NMRV025	-
76	233.0	15.00	0.34	105	-	NMRV025	-
76	175.0	20.00	0.27	115	-	NMRV025	-
76	117.0	30.00	0.19	132	-	NMRV025	-
76	88.0	40.00	0.15	146	-	NMRV025	-
76	70.0	50.00	0.13	157	-	NMRV025	-
67	58.0	60.00	0.1	167	-	NMRV025	-
101	700.0	5.00	1.26	99	26	NMRV030	NRV030
109	467.0	7.50	0.93	113	28	NMRV030	NRV030
109	350.0	10.00	0.7	125	31	NMRV030	NRV030
109	233.0	15.00	0.49	143	31	NMRV030	NRV030
101	175.0	20.00	0.36	157	33	NMRV030	NRV030
134	140.0	25.00	0.4	169	47	NMRV030	NRV030
126	117.0	30.00	0.32	180	47	NMRV030	NRV030
118	88.0	40.00	0.24	198	29	NMRV030	NRV030
109	70.0	50.00	0.19	213	29	NMRV030	NRV030
101	58.0	60.00	0.16	226	28	NMRV030	NRV030
92	44.0	80.00	0.12	249	29	NMRV030	NRV030
202	700.0	5.00	2.49	190	45	NMRV040	NRV040
235	467.0	7.50	1.96	218	52	NMRV040	NRV040
244	350.0	10.00	1.54	240	61	NMRV040	NRV040
261	233.0	15.00	1.14	274	65	NMRV040	NRV040
244	175.0	20.00	0.82	302	46	NMRV040	NRV040
235	140.0	25.00	0.65	325	53	NMRV040	NRV040
286	117.0	30.00	0.69	346	79	NMRV040	NRV040
261	88.0	40.00	0.5	381	79	NMRV040	NRV040
252	70.0	50.00	0.41	410	79	NMRV040	NRV040
235	58.0	60.00	0.33	436	79	NMRV040	NRV040
210	44.0	80.00	0.24	479	79	NMRV040	NRV040
193	35.0	100.00	0.19	517	79	NMRV040	NRV040
378	700.0	5.00	4.61	261	63	NMRV050	NRV050
437	467.0	7.50	3.6	299	73	NMRV050	NRV050
454	350.0	10.00	2.83	329	85	NMRV050	NRV050
479	233.0	15.00	2.06	377	90	NMRV050	NRV050
446	175.0	20.00	1.49	415	94	NMRV050	NRV050
429	140.0	25.00	1.18	447	108	NMRV050	NRV050
538	117.0	30.00	1.29	475	110	NMRV050	NRV050
496	88.0	40.00	0.93	522	110	NMRV050	NRV050
446	70.0	50.00	0.71	563	110	NMRV050	NRV050
420	58.0	60.00	0.58	598	110	NMRV050	NRV050
378	44.0	80.00	0.42	658	110	NMRV050	NRV050

Maximum torque [in-lbs]	Output speed [rpm]	Exact ratio i	Maximum Power [HP]	OHL		Gear Reducer	
				Output shaft [lbs]	Input shaft [lbs]	Motorized Input	Shaft Input
336	35.0	100.00	0.33	709	110	NMRV050	NRV050
793	467.0	7.50	6.39	391	89	NMRV-P063	NRV-P063
838	350.0	10.00	5.11	430	106	NMRV-P063	NRV-P063
885	233.0	15.00	3.68	492	111	NMRV-P063	NRV-P063
841	175.0	20.00	2.68	542	119	NMRV-P063	NRV-P063
774	140.0	25.00	2.02	584	132	NMRV-P063	NRV-P063
1009	117.0	30.00	2.28	620	157	NMRV-P063	NRV-P063
922	88.0	40.00	1.62	683	157	NMRV-P063	NRV-P063
849	70.0	50.00	1.26	736	157	NMRV-P063	NRV-P063
803	58.0	60.00	1.03	782	157	NMRV-P063	NRV-P063
714	44.0	80.00	0.74	860	157	NMRV-P063	NRV-P063
641	35.0	100.00	0.58	927	157	NMRV-P063	NRV-P063
1131	467.0	7.50	9.1	461	126	NMRV-P075	NRV-P075
1283	350.0	10.00	7.83	508	161	NMRV-P075	NRV-P075
1349	233.0	15.00	5.61	581	169	NMRV-P075	NRV-P075
1357	175.0	20.00	4.31	640	191	NMRV-P075	NRV-P075
1261	140.0	25.00	3.26	689	220	NMRV-P075	NRV-P075
1524	117.0	30.00	3.4	732	220	NMRV-P075	NRV-P075
1457	88.0	40.00	2.53	806	220	NMRV-P075	NRV-P075
1315	70.0	50.00	1.88	868	220	NMRV-P075	NRV-P075
1260	58.0	60.00	1.57	923	220	NMRV-P075	NRV-P075
1118	44.0	80.00	1.12	1015	220	NMRV-P075	NRV-P075
1038	35.0	100.00	0.89	1094	220	NMRV-P075	NRV-P075
1766	467.0	7.50	14.06	510	161	NMRV-P090	NRV-P090
1976	350.0	10.00	11.92	562	202	NMRV-P090	NRV-P090
2271	233.0	15.00	9.24	643	233	NMRV-P090	NRV-P090
2186	175.0	20.00	6.74	708	252	NMRV-P090	NRV-P090
2102	140.0	25.00	5.3	762	286	NMRV-P090	NRV-P090
2607	117.0	30.00	5.68	810	286	NMRV-P090	NRV-P090
2313	88.0	40.00	3.87	892	286	NMRV-P090	NRV-P090
2229	70.0	50.00	3.09	961	286	NMRV-P090	NRV-P090
2060	58.0	60.00	2.44	1021	286	NMRV-P090	NRV-P090
1892	44.0	80.00	1.82	1123	286	NMRV-P090	NRV-P090
1682	35.0	100.00	1.35	1210	286	NMRV-P090	NRV-P090
3288	467.0	7.50	26.18	645	214	NMRV-P110	NRV-P110
3674	350.0	10.00	22.18	710	268	NMRV-P110	NRV-P110
4111	233.0	15.00	16.72	813	300	NMRV-P110	NRV-P110
4061	175.0	20.00	12.53	894	334	NMRV-P110	NRV-P110
4254	140.0	25.00	10.5	963	382	NMRV-P110	NRV-P110
4641	117.0	30.00	9.87	1024	382	NMRV-P110	NRV-P110
4448	88.0	40.00	7.18	1127	382	NMRV-P110	NRV-P110
4162	70.0	50.00	5.57	1214	382	NMRV-P110	NRV-P110
3977	58.0	60.00	4.49	1290	382	NMRV-P110	NRV-P110

Maximum torque [in-lbs]	Output speed [rpm]	Exact ratio i	Maximum Power [HP]	OHL		Gear Reducer	
				Output shaft [lbs]	Input shaft [lbs]	Motorized Input	Shaft Input
3355	44.0	80.00	2.71	1420	382	NMRV-P110	NRV-P110
3094	35.0	100.00	2.35	1529	382	NMRV-P110	NRV-P110
4372	467.0	7.50	35.19	844	268	NMRV130	NRV130
4876	350.0	10.00	29.76	928	336	NMRV130	NRV130
5634	233.0	15.00	23.43	1063	388	NMRV130	NRV130
5550	175.0	20.00	17.31	1170	430	NMRV130	NRV130
5634	140.0	25.00	14.22	1260	472	NMRV130	NRV130
6474	117.0	30.00	14.1	1339	472	NMRV130	NRV130
6138	88.0	40.00	10.27	1474	472	NMRV130	NRV130
5886	70.0	50.00	8.07	1588	472	NMRV130	NRV130
5382	58.0	60.00	6.3	1687	472	NMRV130	NRV130
4960	44.0	80.00	4.65	1857	472	NMRV130	NRV130
4372	35.0	100.00	3.42	2000	472	NMRV130	NRV130
7063	467.0	7.50	56.84	1153	348	NMRV150	NRV150
7483	350.0	10.00	45.17	1269	415	NMRV150	NRV150
7651	233.0	15.00	31.47	1453	425	NMRV150	NRV150
8240	175.0	20.00	25.42	1599	515	NMRV150	NRV150
7483	140.0	25.00	18.89	1723	561	NMRV150	NRV150
7735	117.0	30.00	16.46	1831	629	NMRV150	NRV150
10090	88.0	40.00	16.68	2015	629	NMRV150	NRV150
9249	70.0	50.00	12.68	2170	629	NMRV150	NRV150
8325	58.0	60.00	9.75	2306	629	NMRV150	NRV150
7735	44.0	80.00	7.16	2538	629	NMRV150	NRV150
6811	35.0	100.00	5.25	2734	629	NMRV150	NRV150



0.12 HP

Output speed [rpm]	Service factor sf	Output torque [in-lbs]	Ratio Stage 1	Ratio Stage 2	Exact ratio i	Max. torque [in-lbs]	OHL Output shaft [lbs]	Gearmotor		Gear Reducer	
								Reducer	Motor	Reducer	NEMA C-input
52.0	7.5	117	2.94	7.50	22.08	877	623	HA31+NMRV050	TS63A6	-	-
52.0	4.7	116	2.94	7.50	22.08	549	454	HA31+NMRV040	TS63A6	-	-
48.0	5.1	128	4.75	5.00	23.75	647	638	HA31+NMRV050	TS63A6	-	-
48.0	4.6	128	4.75	5.00	23.75	583	465	HA31+NMRV040	TS63A6	-	-
45.0	4.9	137	5.10	5.00	25.50	675	653	HA31+NMRV050	TS63A6	-	-
45.0	4.3	137	5.10	5.00	25.50	591	476	HA31+NMRV040	TS63A6	-	-
39.0	7.1	153	2.94	10.00	29.44	1080	685	HA31+NMRV050	TS63A6	-	-
39.0	3.8	149	2.94	10.00	29.44	562	499	HA31+NMRV040	TS63A6	-	-
36.0	4.0	169	6.30	5.00	31.50	673	701	HA31+NMRV050	TS63A6	-	-
36.0	3.6	169	6.30	5.00	31.50	602	511	HA31+NMRV040	TS63A6	-	-
32.0	5.1	187	4.75	7.50	35.63	948	730	HA31+NMRV050	TS63A6	-	-
32.0	3.4	184	4.75	7.50	35.63	618	532	HA31+NMRV040	TS63A6	-	-
28.0	4.6	214	5.45	7.50	40.91	987	765	HA31+NMRV050	TS63A6	-	-
28.0	3.0	212	5.45	7.50	40.91	633	557	HA31+NMRV040	TS63A6	-	-
26.0	5.0	213	2.94	15.00	44.17	1073	785	HA31+NMRV050	TS63A6	-	-
26.0	2.7	212	2.94	15.00	44.17	577	572	HA31+NMRV040	TS63A6	-	-
24.0	4.9	243	4.75	10.00	47.50	1184	804	HA31+NMRV050	TS63A6	-	-
24.0	2.6	237	4.75	10.00	47.50	614	586	HA31+NMRV040	TS63A6	-	-
21.0	4.3	279	5.45	10.00	54.55	1206	842	HA31+NMRV050	TS63A6	-	-
21.0	2.3	272	5.45	10.00	54.55	625	613	HA31+NMRV040	TS63A6	-	-
20.0	7.6	279	3.87	15.00	58.00	2110	1123	HW030+NMRV-P063	TS63A6	-	-
19.0	3.5	270	2.94	20.00	58.89	952	864	HA31+NMRV050	TS63A6	-	-
19.0	2.0	268	2.94	20.00	58.89	531	629	HA31+NMRV040	TS63A6	-	-
18.0	3.8	322	6.30	10.00	63.00	1213	883	HA31+NMRV050	TS63A6	-	-
18.0	2.0	314	6.30	10.00	63.00	628	644	HA31+NMRV040	TS63A6	-	-
16.0	6.6	341	4.75	15.00	71.25	2261	1203	HW030+NMRV-P063	TS63A6	-	-
16.0	3.5	337	4.75	15.00	71.25	1169	920	HA31+NMRV050	TS63A6	-	-
16.0	1.9	337	4.75	15.00	71.25	624	670	HA31+NMRV040	TS63A6	-	-
15.0	6.1	353	3.87	20.00	77.33	2153	1236	HW030+NMRV-P063	TS63A6	-	-
14.0	3.0	403	7.88	10.00	78.75	1213	952	HA31+NMRV050	TS63A6	-	-
14.0	1.6	392	7.88	10.00	78.75	628	693	HA31+NMRV040	TS63A6	-	-
14.0	6.1	389	5.45	15.00	81.82	2367	1260	HW030+NMRV-P063	TS56B4	-	-
14.0	6.1	389	5.45	15.00	81.82	2367	1260	HW030+NMRV-P063	TS63A6	-	-
13.0	5.7	359	2.94	30.00	88.33	2051	1292	HW030+NMRV-P063	TS56B4	-	-
13.0	5.7	359	2.94	30.00	88.33	2051	1292	HW030+NMRV-P063	TS63A6	-	-
13.0	3.1	353	2.94	30.00	88.33	1107	989	HA31+NMRV050	TS63A6	-	-
13.0	1.7	347	2.94	30.00	88.33	585	720	HA31+NMRV040	TS63A6	-	-
12.0	2.7	447	6.30	15.00	94.50	1195	1011	HA31+NMRV050	TS63A6	-	-
12.0	1.4	447	6.30	15.00	94.50	637	737	HA31+NMRV040	TS63A6	-	-
12.0	5.3	429	4.75	20.00	95.00	2271	1324	HW030+NMRV-P063	TS63A6	-	-
11.0	2.3	456	5.10	20.00	102.00	1048	1037	HA31+NMRV050	TS63A6	-	-

0.12 HP

Output speed [rpm]	Service factor sf	Output torque [in-lbs]	Ratio Stage 1	Ratio Stage 2	Exact ratio i	Max. torque [in-lbs]	OHL Output shaft [lbs]	Gearmotor		Gear Reducer	
								Reducer	Motor	Reducer	NEMA C-input
11.0	1.3	456	5.10	20.00	102.00	570	756	HA31+NMRV040	TS63A6	-	-
10.0	7.9	504	5.45	20.00	109.09	3973	1636	HW030+NMRV-P075	TS63A6	-	-
10.0	4.8	490	5.45	20.00	109.09	2337	1386	HW030+NMRV-P063	TS56B4	-	-
10.0	4.8	490	5.45	20.00	109.09	2337	1386	HW030+NMRV-P063	TS63A6	-	-
10.0	2.2	487	5.45	20.00	109.09	1057	1061	HA31+NMRV050	TS63A6	-	-
10.0	1.2	487	5.45	20.00	109.09	573	773	HA31+NMRV040	TS63A6	-	-
10.0	7.5	485	3.87	30.00	116.00	3626	1659	HW030+NMRV-P075	TS63A6	-	-
10.0	4.2	557	7.88	15.00	118.13	2330	1410	HW030+NMRV-P063	TS56B4	-	-
10.0	4.2	557	7.88	15.00	118.13	2330	1410	HW030+NMRV-P063	TS63A6	-	-
10.0	2.1	558	7.88	15.00	118.13	1195	1088	HA31+NMRV050	TS63A6	-	-
10.0	1.1	558	7.88	15.00	118.13	637	785	HA31+NMRV040	TS63A6	-	-
9.0	1.8	536	5.10	25.00	127.50	961	1088	HA31+NMRV050	TS63A6	-	-
8.0	5.9	604	5.45	25.00	136.36	3551	1659	HW030+NMRV-P075	TS63A6	-	-
8.0	3.6	586	5.45	25.00	136.36	2123	1410	HW030+NMRV-P063	TS56B4	-	-
8.0	3.6	586	5.45	25.00	136.36	2123	1410	HW030+NMRV-P063	TS63A6	-	-
8.0	6.6	589	4.75	30.00	142.50	3886	1659	HW030+NMRV-P075	TS63A6	-	-
8.0	4.3	561	4.75	30.00	142.50	2405	1410	HW030+NMRV-P063	TS63A6	-	-
8.0	2.3	553	4.75	30.00	142.50	1246	1088	HA31+NMRV050	TS63A6	-	-
8.0	1.2	544	4.75	30.00	142.50	633	785	HA31+NMRV040	TS63A6	-	-
7.0	6.0	596	3.87	40.00	154.67	3554	1659	HW030+NMRV-P075	TS63A6	-	-
7.0	1.9	547	3.87	40.00	154.67	1044	1088	HA31+NMRV050	TS63A6	-	-
7.0	1.0	537	3.87	40.00	154.67	556	785	HA31+NMRV040	TS63A6	-	-
7.0	3.5	699	7.88	20.00	157.50	2479	1410	HW030+NMRV-P063	TS56B4	-	-
7.0	3.5	699	7.88	20.00	157.50	2479	1410	HW030+NMRV-P063	TS63A6	-	-
7.0	6.1	672	5.45	30.00	163.64	4069	1659	HW030+NMRV-P075	TS63A6	-	-
7.0	3.9	640	5.45	30.00	163.64	2519	1410	HW030+NMRV-P063	TS56B4	-	-
7.0	3.9	640	5.45	30.00	163.64	2519	1410	HW030+NMRV-P063	TS63A6	-	-
7.0	2.0	636	5.45	30.00	163.64	1275	1088	HA31+NMRV050	TS63A6	-	-
7.0	1.0	625	5.45	30.00	163.64	643	785	HA31+NMRV040	TS63A6	-	-
6.0	4.8	607	2.94	60.00	176.67	2900	1659	HW030+NMRV-P075	TS63A6	-	-
6.0	3.0	573	2.94	60.00	176.67	1716	1410	HW030+NMRV-P063	TS56B4	-	-
6.0	3.0	573	2.94	60.00	176.67	1716	1410	HW030+NMRV-P063	TS63A6	-	-
6.0	6.4	673	3.11	60.00	186.32	4301	1839	HW040+NMRV-P090	TS63A6	-	-
6.0	1.7	734	6.30	30.00	189.00	1283	1088	HA31+NMRV050	TS63A6	-	-
6.0	4.2	861	7.88	25.00	196.88	3608	1659	HW030+NMRV-P075	TS56B4	-	-
6.0	4.2	861	7.88	25.00	196.88	3608	1659	HW030+NMRV-P075	TS63A6	-	-
6.0	2.7	836	7.88	25.00	196.88	2224	1410	HW030+NMRV-P063	TS56B4	-	-
6.0	2.7	836	7.88	25.00	196.88	2224	1410	HW030+NMRV-P063	TS63A6	-	-
6.0	1.5	713	5.10	40.00	204.00	1084	1088	HA31+NMRV050	TS63A6	-	-
5.0	4.6	825	5.45	40.00	218.18	3835	1659	HW030+NMRV-P075	TS63A6	-	-
5.0	3.0	781	5.45	40.00	218.18	2321	1410	HW030+NMRV-P063	TS56B4	-	-

0.12 HP

Output speed [rpm]	Service factor sf	Output torque [in-lbs]	Ratio Stage 1	Ratio Stage 2	Exact ratio i	Max. torque [in-lbs]	OHL Output shaft [lbs]	Gearmotor		Gear Reducer	
								Reducer	Motor	Reducer	NEMA C-input
5.0	3.0	781	5.45	40.00	218.18	2321	1410	HW030+NMRV-P063	TS63A6	-	-
5.0	7.2	874	5.50	40.00	220.00	6265	1839	HW040+NMRV-P090	TS63A6	-	-
4.8	4.2	957	7.88	30.00	236.25	4012	1659	HW030+NMRV-P075	TS56B4	-	-
4.8	4.2	957	7.88	30.00	236.25	4012	1659	HW030+NMRV-P075	TS63A6	-	-
4.8	3.1	911	7.88	30.00	236.25	2846	1410	HW030+NMRV-P063	TS56B4	-	-
4.8	3.1	911	7.88	30.00	236.25	2846	1410	HW030+NMRV-P063	TS63A6	-	-
4.8	1.4	918	7.88	30.00	236.25	1283	1088	HA31+NMRV050	TS63A6	-	-
4.5	5.2	885	4.20	60.00	252.00	4593	1839	HW040+NMRV-P090	TS63A6	-	-
4.5	1.2	881	6.30	40.00	252.00	1097	1088	HA31+NMRV050	TS63A6	-	-
4.2	3.7	941	5.45	50.00	272.73	3446	1659	HW030+NMRV-P075	TS63A6	-	-
4.2	2.3	908	5.45	50.00	272.73	2107	1410	HW030+NMRV-P063	TS56B4	-	-
4.2	2.3	908	5.45	50.00	272.73	2107	1410	HW030+NMRV-P063	TS63A6	-	-
4.2	1.2	883	5.45	50.00	272.73	1056	1088	HA31+NMRV050	TS63A6	-	-
4.1	5.4	1019	5.50	50.00	275.00	5498	1839	HW040+NMRV-P090	TS63A6	-	-
4.0	1.1	849	4.75	60.00	285.00	908	1088	HA31+NMRV050	TS63A6	-	-
3.7	5.0	1123	6.09	50.00	304.55	5576	1839	HW040+NMRV-P090	TS63A6	-	-
3.6	3.4	1174	7.88	40.00	315.00	4007	1659	HW030+NMRV-P075	TS56B4	-	-
3.6	3.4	1174	7.88	40.00	315.00	4007	1659	HW030+NMRV-P075	TS63A6	-	-
3.6	2.2	1107	7.88	40.00	315.00	2416	1410	HW030+NMRV-P063	TS56B4	-	-
3.6	2.2	1107	7.88	40.00	315.00	2416	1410	HW030+NMRV-P063	TS63A6	-	-
3.6	1.0	1019	6.30	50.00	315.00	1062	1088	HA31+NMRV050	TS63A6	-	-
3.5	7.4	1223	5.50	60.00	330.00	9094	2320	HW040+NMRV-P110	TS63A6	-	-
3.5	4.2	1138	5.50	60.00	330.00	4789	1839	HW040+NMRV-P090	TS63A6	-	-
3.0	5.6	1504	7.67	50.00	383.33	8388	2320	HW040+NMRV-P110	TS63A6	-	-
3.0	4.1	1398	7.67	50.00	383.33	5728	1839	HW040+NMRV-P090	TS63A6	-	-
2.9	2.7	1333	7.88	50.00	393.75	3582	1659	HW030+NMRV-P075	TS56B4	-	-
2.9	2.7	1333	7.88	50.00	393.75	3582	1659	HW030+NMRV-P075	TS63A6	-	-
2.9	1.7	1289	7.88	50.00	393.75	2187	1410	HW030+NMRV-P063	TS56B4	-	-
2.9	1.7	1289	7.88	50.00	393.75	2187	1410	HW030+NMRV-P063	TS63A6	-	-
2.6	1.6	1505	10.83	40.00	433.33	2474	1410	HW030+NMRV-P063	TS56B4	-	-
2.6	1.6	1505	10.83	40.00	433.33	2474	1410	HW030+NMRV-P063	TS63A6	-	-
2.6	3.7	1587	8.75	50.00	437.50	5800	1839	HW040+NMRV-P090	TS63A6	-	-
2.6	5.1	1492	5.50	80.00	440.00	7610	2320	HW040+NMRV-P110	TS63A6	-	-
2.5	5.6	1678	7.67	60.00	460.00	9379	2320	HW040+NMRV-P110	TS63A6	-	-
2.5	3.2	1559	7.67	60.00	460.00	4973	1839	HW040+NMRV-P090	TS63A6	-	-
2.4	2.2	1507	7.88	60.00	472.50	3382	1659	HW030+NMRV-P075	TS56B4	-	-
2.4	2.2	1507	7.88	60.00	472.50	3382	1659	HW030+NMRV-P075	TS63A6	-	-
2.4	1.4	1416	7.88	60.00	472.50	1974	1410	HW030+NMRV-P063	TS56B4	-	-
2.4	1.4	1416	7.88	60.00	472.50	1974	1410	HW030+NMRV-P063	TS63A6	-	-
2.2	4.3	1905	8.75	60.00	525.00	8116	2320	HW040+NMRV-P110	TS63A6	-	-
2.2	2.8	1769	8.75	60.00	525.00	5031	1839	HW040+NMRV-P090	TS63A6	-	-

0.12 HP

Output speed [rpm]	Service factor sf	Output torque [in-lbs]	Ratio Stage 1	Ratio Stage 2	Exact ratio i	Max. torque [in-lbs]	OHL Output shaft [lbs]	Gearmotor		Gear Reducer	
								Reducer	Motor	Reducer	NEMA C-input
2.1	1.8	1811	10.83	50.00	541.67	3228	1659	HW030+NMRV-P075	TS56B4	-	-
2.1	1.8	1811	10.83	50.00	541.67	3228	1659	HW030+NMRV-P075	TS63A6	-	-
2.1	1.3	1755	10.83	50.00	541.67	2237	1410	HW030+NMRV-P063	TS56B4	-	-
2.1	1.3	1755	10.83	50.00	541.67	2237	1410	HW030+NMRV-P063	TS63A6	-	-
1.9	3.8	2049	7.67	80.00	613.33	7885	2320	HW040+NMRV-P110	TS63A6	-	-
1.9	2.1	1891	7.67	80.00	613.33	3980	1839	HW040+NMRV-P090	TS63A6	-	-
1.8	1.7	2047	10.83	60.00	650.00	3452	1659	HW030+NMRV-P075	TS56B4	-	-
1.8	1.7	2047	10.83	60.00	650.00	3452	1659	HW030+NMRV-P075	TS63A6	-	-
1.8	1.0	1921	10.83	60.00	650.00	2013	1410	HW030+NMRV-P063	TS56B4	-	-
1.8	1.0	1921	10.83	60.00	650.00	2013	1410	HW030+NMRV-P063	TS63A6	-	-
1.6	3.4	2328	8.75	80.00	700.00	7971	2320	HW040+NMRV-P110	TS63A6	-	-
1.6	1.9	2147	8.75	80.00	700.00	4035	1839	HW040+NMRV-P090	TS63A6	-	-
1.5	2.9	2300	7.67	100.00	766.67	6608	2320	HW040+NMRV-P110	TS63A6	-	-
1.5	1.5	2102	7.67	100.00	766.67	3201	1839	HW040+NMRV-P090	TS63A6	-	-
1.4	1.0	1952	7.88	100.00	787.50	2021	1659	HW030+NMRV-P075	TS56B4	-	-
1.4	1.0	1952	7.88	100.00	787.50	2021	1659	HW030+NMRV-P075	TS63A6	-	-
1.3	1.1	2415	10.83	80.00	866.67	2587	1659	HW030+NMRV-P075	TS56B4	-	-
1.3	1.1	2415	10.83	80.00	866.67	2587	1659	HW030+NMRV-P075	TS63A6	-	-
1.3	2.6	2609	8.75	100.00	875.00	6660	2320	HW040+NMRV-P110	TS63A6	-	-
1.3	1.4	2382	8.75	100.00	875.00	3227	1839	HW040+NMRV-P090	TS63A6	-	-

0.16 HP

Output speed [rpm]	Service factor sf	Output torque [in-lbs]	Ratio Stage 1	Ratio Stage 2	Exact ratio i	Max. torque [in-lbs]	OHL Output shaft [lbs]	Gearmotor		Gear Reducer	
								Reducer	Motor	Reducer	NEMA C-input
52.0	5.6	156	2.94	7.50	22.08	877	623	HA31+NMRV050	TS63B6	-	-
79.0	7.9	104	2.94	7.50	22.08	820	540	HA31+NMRV050	TS63A4	-	-
52.0	3.6	154	2.94	7.50	22.08	549	454	HA31+NMRV040	TS63B6	-	-
79.0	4.6	103	2.94	7.50	22.08	475	393	HA31+NMRV040	TS63A4	-	-
48.0	3.8	170	4.75	5.00	23.75	647	638	HA31+NMRV050	TS63B6	-	-
74.0	5.4	112	4.75	5.00	23.75	603	553	HA31+NMRV050	TS63A4	-	-
48.0	3.4	170	4.75	5.00	23.75	583	465	HA31+NMRV040	TS63B6	-	-
74.0	4.7	112	4.75	5.00	23.75	522	403	HA31+NMRV040	TS63A4	-	-
45.0	3.7	183	5.10	5.00	25.50	675	653	HA31+NMRV050	TS63B6	-	-
69.0	5.2	120	5.10	5.00	25.50	628	566	HA31+NMRV050	TS63A4	-	-
45.0	3.2	183	5.10	5.00	25.50	591	476	HA31+NMRV040	TS63B6	-	-
69.0	4.5	120	5.10	5.00	25.50	534	413	HA31+NMRV040	TS63A4	-	-
39.0	5.3	203	2.94	10.00	29.44	1080	685	HA31+NMRV050	TS63B6	-	-
59.0	7.1	135	2.94	10.00	29.44	956	594	HA31+NMRV050	TS63A4	-	-
39.0	2.8	199	2.94	10.00	29.44	562	499	HA31+NMRV040	TS63B6	-	-
59.0	3.7	134	2.94	10.00	29.44	499	433	HA31+NMRV040	TS63A4	-	-
36.0	3.0	226	6.30	5.00	31.50	673	701	HA31+NMRV050	TS63B6	-	-

0.16 HP

Output speed [rpm]	Service factor sf	Output torque [in-lbs]	Ratio Stage 1	Ratio Stage 2	Exact ratio i	Max. torque [in-lbs]	OHL Output shaft [lbs]	Gearmotor		Gear Reducer	
								Reducer	Motor	Reducer	NEMA C-input
56.0	4.2	147	6.30	5.00	31.50	623	608	HA31+NMRV050	TS63A4	-	-
36.0	2.7	226	6.30	5.00	31.50	602	511	HA31+NMRV040	TS63B6	-	-
56.0	3.8	147	6.30	5.00	31.50	565	443	HA31+NMRV040	TS63A4	-	-
32.0	3.8	249	4.75	7.50	35.63	948	730	HA31+NMRV050	TS63B6	-	-
49.0	5.4	164	4.75	7.50	35.63	883	633	HA31+NMRV050	TS63A4	-	-
32.0	2.5	246	4.75	7.50	35.63	618	532	HA31+NMRV040	TS63B6	-	-
49.0	3.4	162	4.75	7.50	35.63	558	461	HA31+NMRV040	TS63A4	-	-
29.0	7.4	265	3.87	10.00	38.67	1951	981	HW030+NMRV-P063	TS63B6	-	-
28.0	3.5	286	5.45	7.50	40.91	987	765	HA31+NMRV050	TS63B6	-	-
43.0	4.9	188	5.45	7.50	40.91	918	663	HA31+NMRV050	TS63A4	-	-
28.0	2.2	282	5.45	7.50	40.91	633	557	HA31+NMRV040	TS63B6	-	-
43.0	3.1	185	5.45	7.50	40.91	580	483	HA31+NMRV040	TS63A4	-	-
26.0	6.7	287	2.94	15.00	44.17	1928	1026	HW030+NMRV-P063	TS63B6	-	-
26.0	3.8	284	2.94	15.00	44.17	1073	785	HA31+NMRV050	TS63B6	-	-
40.0	5.0	190	2.94	15.00	44.17	956	680	HA31+NMRV050	TS63A4	-	-
26.0	2.0	282	2.94	15.00	44.17	577	572	HA31+NMRV040	TS63B6	-	-
40.0	2.7	188	2.94	15.00	44.17	517	496	HA31+NMRV040	TS63A4	-	-
24.0	6.5	323	4.75	10.00	47.50	2091	1051	HW030+NMRV-P063	TS63B6	-	-
24.0	3.7	324	4.75	10.00	47.50	1184	804	HA31+NMRV050	TS63B6	-	-
37.0	5.1	213	4.75	10.00	47.50	1093	697	HA31+NMRV050	TS63A4	-	-
24.0	1.9	316	4.75	10.00	47.50	614	586	HA31+NMRV040	TS63B6	-	-
37.0	2.7	209	4.75	10.00	47.50	569	508	HA31+NMRV040	TS63A4	-	-
21.0	3.2	372	5.45	10.00	54.55	1206	842	HA31+NMRV050	TS63B6	-	-
32.0	4.6	244	5.45	10.00	54.55	1127	730	HA31+NMRV050	TS63A4	-	-
21.0	1.7	362	5.45	10.00	54.55	625	613	HA31+NMRV040	TS63B6	-	-
32.0	2.5	238	5.45	10.00	54.55	586	532	HA31+NMRV040	TS63A4	-	-
20.0	5.7	373	3.87	15.00	58.00	2110	1123	HW030+NMRV-P063	TS63B6	-	-
30.0	7.4	248	3.87	15.00	58.00	1829	974	HW030+NMRV-P063	TS63A4	-	-
19.0	2.6	360	2.94	20.00	58.89	952	864	HA31+NMRV050	TS63B6	-	-
30.0	3.5	244	2.94	20.00	58.89	850	749	HA31+NMRV050	TS63A4	-	-
19.0	1.5	358	2.94	20.00	58.89	531	629	HA31+NMRV040	TS63B6	-	-
30.0	2.0	241	2.94	20.00	58.89	486	545	HA31+NMRV040	TS63A4	-	-
18.0	2.8	430	6.30	10.00	63.00	1213	883	HA31+NMRV050	TS63B6	-	-
28.0	4.1	281	6.30	10.00	63.00	1157	766	HA31+NMRV050	TS63A4	-	-
18.0	1.5	419	6.30	10.00	63.00	628	644	HA31+NMRV040	TS63B6	-	-
28.0	2.2	274	6.30	10.00	63.00	601	558	HA31+NMRV040	TS63A4	-	-
16.0	7.7	466	4.75	15.00	71.25	3595	1420	HW030+NMRV-P075	TS63B6	-	-
16.0	5.0	454	4.75	15.00	71.25	2261	1203	HW030+NMRV-P063	TS63B6	-	-
25.0	6.5	301	4.75	15.00	71.25	1960	1043	HW030+NMRV-P063	TS63A4	-	-
16.0	2.6	449	4.75	15.00	71.25	1169	920	HA31+NMRV050	TS63B6	-	-
25.0	3.6	297	4.75	15.00	71.25	1086	798	HA31+NMRV050	TS63A4	-	-

0.16 HP

Output speed [rpm]	Service factor sf	Output torque [in-lbs]	Ratio Stage 1	Ratio Stage 2	Exact ratio i	Max. torque [in-lbs]	OHL Output shaft [lbs]	Gearmotor		Gear Reducer	
								Reducer	Motor	Reducer	NEMA C-input
16.0	1.4	449	4.75	15.00	71.25	624	670	HA31+NMRV040	TS63B6	-	-
25.0	2.0	296	4.75	15.00	71.25	583	581	HA31+NMRV040	TS63A4	-	-
15.0	7.5	484	3.87	20.00	77.33	3623	1459	HW030+NMRV-P075	TS63B6	-	-
23.0	7.4	307	3.87	20.00	77.33	2269	1072	-	-	HW030+NMRV-P063	56C
15.0	4.6	471	3.87	20.00	77.33	2153	1236	HW030+NMRV-P063	TS63B6	-	-
23.0	5.7	316	3.87	20.00	77.33	1816	1072	HW030+NMRV-P063	TS63A4	-	-
14.0	2.3	537	7.88	10.00	78.75	1213	952	HA31+NMRV050	TS63B6	-	-
22.0	3.2	350	7.88	10.00	78.75	1128	825	HA31+NMRV050	TS63A4	-	-
14.0	1.2	523	7.88	10.00	78.75	628	693	HA31+NMRV040	TS63B6	-	-
22.0	1.8	341	7.88	10.00	78.75	621	601	HA31+NMRV040	TS63A4	-	-
14.0	6.9	533	5.45	15.00	81.82	3658	1487	HW030+NMRV-P075	TS63B6	-	-
21.0	7.5	338	5.45	15.00	81.82	2532	1092	-	-	HW030+NMRV-P063	56C
14.0	4.6	519	5.45	15.00	81.82	2367	1260	HW030+NMRV-P063	TS63B6	-	-
21.0	6.0	344	5.45	15.00	81.82	2053	1092	HW030+NMRV-P063	TS63A4	-	-
13.0	6.6	501	2.94	30.00	88.33	3313	1525	HW030+NMRV-P075	TS63B6	-	-
20.0	7.1	312	2.94	30.00	88.33	2211	1120	-	-	HW030+NMRV-P063	56C
13.0	4.3	478	2.94	30.00	88.33	2051	1292	HW030+NMRV-P063	TS63B6	-	-
20.0	5.5	326	2.94	30.00	88.33	1778	1120	HW030+NMRV-P063	TS63A4	-	-
13.0	2.4	471	2.94	30.00	88.33	1107	989	HA31+NMRV050	TS63B6	-	-
20.0	3.0	321	2.94	30.00	88.33	960	857	HA31+NMRV050	TS63A4	-	-
13.0	1.3	463	2.94	30.00	88.33	585	720	HA31+NMRV040	TS63B6	-	-
20.0	1.7	316	2.94	30.00	88.33	530	624	HA31+NMRV040	TS63A4	-	-
12.0	2.0	595	6.30	15.00	94.50	1195	1011	HA31+NMRV050	TS63B6	-	-
19.0	2.9	389	6.30	15.00	94.50	1144	877	HA31+NMRV050	TS63A4	-	-
12.0	1.1	595	6.30	15.00	94.50	637	737	HA31+NMRV040	TS63B6	-	-
19.0	1.6	389	6.30	15.00	94.50	612	639	HA31+NMRV040	TS63A4	-	-
12.0	6.5	589	4.75	20.00	95.00	3857	1563	HW030+NMRV-P075	TS63B6	-	-
18.0	6.4	373	4.75	20.00	95.00	2383	1148	-	-	HW030+NMRV-P063	56C
12.0	4.0	572	4.75	20.00	95.00	2271	1324	HW030+NMRV-P063	TS63B6	-	-
18.0	5.2	382	4.75	20.00	95.00	1997	1148	HW030+NMRV-P063	TS63A4	-	-
11.0	1.7	607	5.10	20.00	102.00	1048	1037	HA31+NMRV050	TS63B6	-	-
17.0	2.4	403	5.10	20.00	102.00	978	899	HA31+NMRV050	TS63A4	-	-
17.0	1.3	401	5.10	20.00	102.00	542	655	HA31+NMRV040	TS63A4	-	-
10.0	5.9	672	5.45	20.00	109.09	3973	1636	HW030+NMRV-P075	TS63B6	-	-
16.0	7.9	447	5.45	20.00	109.09	3525	1419	HW030+NMRV-P075	TS63A4	-	-
16.0	5.7	426	5.45	20.00	109.09	2443	1202	-	-	HW030+NMRV-P063	56C
10.0	3.6	654	5.45	20.00	109.09	2337	1386	HW030+NMRV-P063	TS63B6	-	-
16.0	4.8	435	5.45	20.00	109.09	2099	1202	HW030+NMRV-P063	TS63A4	-	-
10.0	1.6	650	5.45	20.00	109.09	1057	1061	HA31+NMRV050	TS63B6	-	-
16.0	2.3	429	5.45	20.00	109.09	991	919	HA31+NMRV050	TS63A4	-	-
16.0	1.3	428	5.45	20.00	109.09	547	670	HA31+NMRV040	TS63A4	-	-

0.16 HP

Output speed [rpm]	Service factor sf	Output torque [in-lbs]	Ratio Stage 1	Ratio Stage 2	Exact ratio i	Max. torque [in-lbs]	OHL Output shaft [lbs]	Gearmotor		Gear Reducer	
								Reducer	Motor	Reducer	NEMA C-input
10.0	5.6	646	3.87	30.00	116.00	3626	1659	HW030+NMRV-P075	TS63B6	-	-
15.0	7.2	435	3.87	30.00	116.00	3144	1448	HW030+NMRV-P075	TS63A4	-	-
10.0	3.1	743	7.88	15.00	118.13	2330	1410	HW030+NMRV-P063	TS63B6	-	-
15.0	4.7	489	7.88	15.00	118.13	2320	1234	HW030+NMRV-P063	TS63A4	-	-
15.0	4.8	484	7.88	15.00	118.13	2317	1234	-	-	HW030+NMRV-P063	56C
10.0	1.6	744	7.88	15.00	118.13	1195	1088	HA31+NMRV050	TS63B6	-	-
15.0	2.4	485	7.88	15.00	118.13	1180	944	HA31+NMRV050	TS63A4	-	-
15.0	1.3	485	7.88	15.00	118.13	630	688	HA31+NMRV040	TS63A4	-	-
9.0	1.3	715	5.10	25.00	127.50	961	1088	HA31+NMRV050	TS63B6	-	-
14.0	1.9	475	5.10	25.00	127.50	898	969	HA31+NMRV050	TS63A4	-	-
14.0	1.0	475	5.10	25.00	127.50	498	706	HA31+NMRV040	TS63A4	-	-
13.0	7.1	525	5.45	25.00	136.36	3707	1528	-	-	HW030+NMRV-P075	56C
8.0	4.4	805	5.45	25.00	136.36	3551	1659	HW030+NMRV-P075	TS63B6	-	-
13.0	5.9	536	5.45	25.00	136.36	3183	1528	HW030+NMRV-P075	TS63A4	-	-
13.0	4.3	509	5.45	25.00	136.36	2214	1295	-	-	HW030+NMRV-P063	56C
8.0	2.7	782	5.45	25.00	136.36	2123	1410	HW030+NMRV-P063	TS63B6	-	-
13.0	3.7	521	5.45	25.00	136.36	1913	1295	HW030+NMRV-P063	TS63A4	-	-
8.0	7.0	849	5.50	25.00	137.50	5925	1839	HW040+NMRV-P090	TS63B6	-	-
8.0	5.0	785	4.75	30.00	142.50	3886	1659	HW030+NMRV-P075	TS63B6	-	-
12.0	6.4	525	4.75	30.00	142.50	3369	1551	HW030+NMRV-P075	TS63A4	-	-
12.0	5.3	487	4.75	30.00	142.50	2593	1314	-	-	HW030+NMRV-P063	56C
8.0	3.2	748	4.75	30.00	142.50	2405	1410	HW030+NMRV-P063	TS63B6	-	-
12.0	4.2	501	4.75	30.00	142.50	2085	1314	HW030+NMRV-P063	TS63A4	-	-
8.0	1.7	738	4.75	30.00	142.50	1246	1088	HA31+NMRV050	TS63B6	-	-
12.0	2.3	493	4.75	30.00	142.50	1124	1005	HA31+NMRV050	TS63A4	-	-
12.0	1.2	485	4.75	30.00	142.50	591	732	HA31+NMRV040	TS63A4	-	-
11.0	7.3	518	3.87	40.00	154.67	3763	1594	-	-	HW030+NMRV-P075	56C
7.0	4.5	795	3.87	40.00	154.67	3554	1659	HW030+NMRV-P075	TS63B6	-	-
11.0	5.7	537	3.87	40.00	154.67	3081	1594	HW030+NMRV-P075	TS63A4	-	-
7.0	1.4	730	3.87	40.00	154.67	1044	1088	HA31+NMRV050	TS63B6	-	-
11.0	1.9	498	3.87	40.00	154.67	956	1033	HA31+NMRV050	TS63A4	-	-
11.0	1.1	489	3.87	40.00	154.67	523	753	HA31+NMRV040	TS63A4	-	-
7.0	6.1	801	3.11	50.00	155.26	4874	1839	HW040+NMRV-P090	TS63B6	-	-
11.0	7.5	550	3.11	50.00	155.26	4139	1766	HW040+NMRV-P090	TS63A4	-	-
11.0	4.2	607	7.88	20.00	157.50	2579	1358	-	-	HW030+NMRV-P063	56C
7.0	2.7	932	7.88	20.00	157.50	2479	1410	HW030+NMRV-P063	TS63B6	-	-
11.0	3.7	617	7.88	20.00	157.50	2308	1358	HW030+NMRV-P063	TS63A4	-	-
11.0	7.5	583	5.45	30.00	163.64	4348	1624	-	-	HW030+NMRV-P075	56C
7.0	4.5	896	5.45	30.00	163.64	4069	1659	HW030+NMRV-P075	TS63B6	-	-
11.0	5.9	597	5.45	30.00	163.64	3528	1624	HW030+NMRV-P075	TS63A4	-	-
11.0	4.9	556	5.45	30.00	163.64	2715	1376	-	-	HW030+NMRV-P063	56C

0.16 HP

Output speed [rpm]	Service factor sf	Output torque [in-lbs]	Ratio Stage 1	Ratio Stage 2	Exact ratio i	Max. torque [in-lbs]	OHL Output shaft [lbs]	Gearmotor		Gear Reducer	
								Reducer	Motor	Reducer	NEMA C-input
7.0	3.0	853	5.45	30.00	163.64	2519	1410	HW030+NMRV-P063	TS63B6	-	-
11.0	3.8	570	5.45	30.00	163.64	2184	1376	HW030+NMRV-P063	TS63A4	-	-
7.0	1.5	847	5.45	30.00	163.64	1275	1088	HA31+NMRV050	TS63B6	-	-
11.0	2.1	561	5.45	30.00	163.64	1169	1053	HA31+NMRV050	TS63A4	-	-
11.0	1.1	551	5.45	30.00	163.64	607	767	HA31+NMRV040	TS63A4	-	-
7.0	7.3	945	5.50	30.00	165.00	6871	1839	HW040+NMRV-P090	TS63B6	-	-
10.0	5.8	528	2.94	60.00	176.67	3065	1659	-	-	HW030+NMRV-P075	56C
6.0	3.6	810	2.94	60.00	176.67	2900	1659	HW030+NMRV-P075	TS63B6	-	-
10.0	4.4	561	2.94	60.00	176.67	2492	1659	HW030+NMRV-P075	TS63A4	-	-
10.0	3.6	498	2.94	60.00	176.67	1802	1410	-	-	HW030+NMRV-P063	56C
6.0	2.2	764	2.94	60.00	176.67	1716	1410	HW030+NMRV-P063	TS63B6	-	-
10.0	2.8	531	2.94	60.00	176.67	1490	1410	HW030+NMRV-P063	TS63A4	-	-
9.0	7.7	584	3.11	60.00	186.32	4523	1839	-	-	HW040+NMRV-P090	56C
6.0	4.8	897	3.11	60.00	186.32	4301	1839	HW040+NMRV-P090	TS63B6	-	-
9.0	6.0	618	3.11	60.00	186.32	3700	1839	HW040+NMRV-P090	TS63A4	-	-
6.0	1.3	979	6.30	30.00	189.00	1283	1088	HA31+NMRV050	TS63B6	-	-
9.0	1.9	641	6.30	30.00	189.00	1210	1088	HA31+NMRV050	TS63A4	-	-
6.0	3.1	1148	7.88	25.00	196.88	3608	1659	HW030+NMRV-P075	TS63B6	-	-
9.0	4.8	748	7.88	25.00	196.88	3581	1659	-	-	HW030+NMRV-P075	56C
9.0	4.6	760	7.88	25.00	196.88	3508	1659	HW030+NMRV-P075	TS63A4	-	-
9.0	3.2	726	7.88	25.00	196.88	2293	1410	-	-	HW030+NMRV-P063	56C
6.0	2.0	1114	7.88	25.00	196.88	2224	1410	HW030+NMRV-P063	TS63B6	-	-
9.0	2.8	737	7.88	25.00	196.88	2098	1410	HW030+NMRV-P063	TS63A4	-	-
6.0	1.1	951	5.10	40.00	204.00	1084	1088	HA31+NMRV050	TS63B6	-	-
9.0	1.6	636	5.10	40.00	204.00	1017	1088	HA31+NMRV050	TS63A4	-	-
8.0	5.5	717	5.45	40.00	218.18	3969	1659	-	-	HW030+NMRV-P075	56C
5.0	3.5	1100	5.45	40.00	218.18	3835	1659	HW030+NMRV-P075	TS63B6	-	-
8.0	4.7	735	5.45	40.00	218.18	3457	1659	HW030+NMRV-P075	TS63A4	-	-
8.0	3.5	678	5.45	40.00	218.18	2394	1410	-	-	HW030+NMRV-P063	56C
5.0	2.2	1041	5.45	40.00	218.18	2321	1410	HW030+NMRV-P063	TS63B6	-	-
8.0	3.0	701	5.45	40.00	218.18	2115	1410	HW030+NMRV-P063	TS63A4	-	-
5.0	5.4	1166	5.50	40.00	220.00	6265	1839	HW040+NMRV-P090	TS63B6	-	-
8.0	7.0	778	5.50	40.00	220.00	5432	1839	HW040+NMRV-P090	TS63A4	-	-
4.8	3.1	1276	7.88	30.00	236.25	4012	1659	HW030+NMRV-P075	TS63B6	-	-
7.0	4.7	845	7.88	30.00	236.25	3987	1659	HW030+NMRV-P075	TS63A4	-	-
7.0	4.8	831	7.88	30.00	236.25	3979	1659	-	-	HW030+NMRV-P075	56C
7.0	3.9	791	7.88	30.00	236.25	3068	1410	-	-	HW030+NMRV-P063	56C
4.8	2.3	1215	7.88	30.00	236.25	2846	1410	HW030+NMRV-P063	TS63B6	-	-
7.0	3.1	805	7.88	30.00	236.25	2468	1410	HW030+NMRV-P063	TS63A4	-	-
4.8	1.0	1223	7.88	30.00	236.25	1283	1088	HA31+NMRV050	TS63B6	-	-
7.0	1.6	797	7.88	30.00	236.25	1262	1088	HA31+NMRV050	TS63A4	-	-



0.16 HP

Output speed [rpm]	Service factor sf	Output torque [in-lbs]	Ratio Stage 1	Ratio Stage 2	Exact ratio i	Max. torque [in-lbs]	OHL Output shaft [lbs]	Gearmotor		Gear Reducer	
								Reducer	Motor	Reducer	NEMA C-input
7.0	6.2	769	4.20	60.00	252.00	4759	1839	-	-	HW040+NMRV-P090	56C
4.5	3.9	1181	4.20	60.00	252.00	4593	1839	HW040+NMRV-P090	TS63B6	-	-
7.0	5.2	803	4.20	60.00	252.00	4149	1839	HW040+NMRV-P090	TS63A4	-	-
7.0	1.4	771	6.30	40.00	252.00	1054	1088	HA31+NMRV050	TS63A4	-	-
6.0	4.4	817	5.45	50.00	272.73	3555	1659	-	-	HW030+NMRV-P075	56C
4.2	2.7	1255	5.45	50.00	272.73	3446	1659	HW030+NMRV-P075	TS63B6	-	-
6.0	3.8	845	5.45	50.00	272.73	3190	1659	HW030+NMRV-P075	TS63A4	-	-
6.0	2.7	788	5.45	50.00	272.73	2168	1410	-	-	HW030+NMRV-P063	56C
4.2	1.7	1210	5.45	50.00	272.73	2107	1410	HW030+NMRV-P063	TS63B6	-	-
6.0	2.4	812	5.45	50.00	272.73	1959	1410	HW030+NMRV-P063	TS63A4	-	-
6.0	1.2	784	5.45	50.00	272.73	977	1088	HA31+NMRV050	TS63A4	-	-
4.1	7.1	1457	5.50	50.00	275.00	10356	2320	HW040+NMRV-P110	TS63B6	-	-
6.0	6.4	885	5.50	50.00	275.00	5674	1839	-	-	HW040+NMRV-P090	56C
4.1	4.0	1359	5.50	50.00	275.00	5498	1839	HW040+NMRV-P090	TS63B6	-	-
6.0	5.6	914	5.50	50.00	275.00	5075	1839	HW040+NMRV-P090	TS63A4	-	-
6.0	1.1	767	4.75	60.00	285.00	840	1088	HA31+NMRV050	TS63A4	-	-
3.7	6.3	1607	6.09	50.00	304.55	10199	2320	HW040+NMRV-P110	TS63B6	-	-
6.0	5.8	975	6.09	50.00	304.55	5660	1839	-	-	HW040+NMRV-P090	56C
3.7	3.7	1497	6.09	50.00	304.55	5576	1839	HW040+NMRV-P090	TS63B6	-	-
6.0	5.2	1003	6.09	50.00	304.55	5192	1839	HW040+NMRV-P090	TS63A4	-	-
6.0	4.0	1020	7.88	40.00	315.00	4126	1659	-	-	HW030+NMRV-P075	56C
3.6	2.6	1565	7.88	40.00	315.00	4007	1659	HW030+NMRV-P075	TS63B6	-	-
6.0	3.7	1038	7.88	40.00	315.00	3798	1659	HW030+NMRV-P075	TS63A4	-	-
6.0	2.6	961	7.88	40.00	315.00	2482	1410	-	-	HW030+NMRV-P063	56C
3.6	1.6	1476	7.88	40.00	315.00	2416	1410	HW030+NMRV-P063	TS63B6	-	-
6.0	2.3	984	7.88	40.00	315.00	2299	1410	HW030+NMRV-P063	TS63A4	-	-
6.0	1.1	893	6.30	50.00	315.00	1007	1088	HA31+NMRV050	TS63A4	-	-
3.5	5.6	1631	5.50	60.00	330.00	9094	2320	HW040+NMRV-P110	TS63B6	-	-
5.0	7.3	1096	5.50	60.00	330.00	7968	2320	HW040+NMRV-P110	TS63A4	-	-
5.0	5.0	988	5.50	60.00	330.00	4928	1839	-	-	HW040+NMRV-P090	56C
3.5	3.2	1517	5.50	60.00	330.00	4789	1839	HW040+NMRV-P090	TS63B6	-	-
5.0	4.4	1022	5.50	60.00	330.00	4450	1839	HW040+NMRV-P090	TS63A4	-	-
4.6	6.8	1307	7.67	50.00	383.33	8934	2320	-	-	HW040+NMRV-P110	56C
3.0	4.2	2006	7.67	50.00	383.33	8388	2320	HW040+NMRV-P110	TS63B6	-	-
4.6	6.2	1330	7.67	50.00	383.33	8294	2320	HW040+NMRV-P110	TS63A4	-	-
4.6	4.8	1214	7.67	50.00	383.33	5862	1839	-	-	HW040+NMRV-P090	56C
3.0	3.1	1864	7.67	50.00	383.33	5728	1839	HW040+NMRV-P090	TS63B6	-	-
4.6	4.4	1242	7.67	50.00	383.33	5417	1839	HW040+NMRV-P090	TS63A4	-	-
4.4	3.2	1157	7.88	50.00	393.75	3676	1659	-	-	HW030+NMRV-P075	56C
2.9	2.0	1777	7.88	50.00	393.75	3582	1659	HW030+NMRV-P075	TS63B6	-	-
4.4	2.9	1186	7.88	50.00	393.75	3416	1659	HW030+NMRV-P075	TS63A4	-	-

0.16 HP

Output speed [rpm]	Service factor sf	Output torque [in-lbs]	Ratio Stage 1	Ratio Stage 2	Exact ratio i	Max. torque [in-lbs]	OHL Output shaft [lbs]	Gearmotor		Gear Reducer	
								Reducer	Motor	Reducer	NEMA C-input
4.4	2.0	1119	7.88	50.00	393.75	2243	1410	-	-	HW030+NMRV-P063	56C
2.9	1.3	1719	7.88	50.00	393.75	2187	1410	HW030+NMRV-P063	TS63B6	-	-
4.4	1.8	1143	7.88	50.00	393.75	2089	1410	HW030+NMRV-P063	TS63A4	-	-
2.6	1.2	2007	10.83	40.00	433.33	2474	1410	HW030+NMRV-P063	TS63B6	-	-
4.0	1.8	1330	10.83	40.00	433.33	2392	1410	HW030+NMRV-P063	TS63A4	-	-
4.0	1.8	1307	10.83	40.00	433.33	2356	1410	-	-	HW030+NMRV-P063	56C
4.0	4.3	1379	8.75	50.00	437.50	5920	1839	-	-	HW040+NMRV-P090	56C
2.6	2.7	2117	8.75	50.00	437.50	5800	1839	HW040+NMRV-P090	TS63B6	-	-
4.0	3.9	1407	8.75	50.00	437.50	5525	1839	HW040+NMRV-P090	TS63A4	-	-
2.6	3.8	1990	5.50	80.00	440.00	7610	2320	HW040+NMRV-P110	TS63B6	-	-
4.0	5.6	1296	5.50	80.00	440.00	7300	2320	-	-	HW040+NMRV-P110	56C
4.0	5.0	1334	5.50	80.00	440.00	6637	2320	HW040+NMRV-P110	TS63A4	-	-
2.5	4.2	2237	7.67	60.00	460.00	9379	2320	HW040+NMRV-P110	TS63B6	-	-
3.8	6.3	1457	7.67	60.00	460.00	9162	2320	-	-	HW040+NMRV-P110	56C
3.8	5.7	1491	7.67	60.00	460.00	8491	2320	HW040+NMRV-P110	TS63A4	-	-
3.8	3.8	1354	7.67	60.00	460.00	5080	1839	-	-	HW040+NMRV-P090	56C
2.5	2.4	2078	7.67	60.00	460.00	4973	1839	HW040+NMRV-P090	TS63B6	-	-
3.8	3.4	1388	7.67	60.00	460.00	4725	1839	HW040+NMRV-P090	TS63A4	-	-
3.7	2.6	1309	7.88	60.00	472.50	3461	1659	-	-	HW030+NMRV-P075	56C
2.4	1.7	2010	7.88	60.00	472.50	3382	1659	HW030+NMRV-P075	TS63B6	-	-
3.7	2.4	1343	7.88	60.00	472.50	3239	1659	HW030+NMRV-P075	TS63A4	-	-
3.7	1.6	1230	7.88	60.00	472.50	2018	1410	-	-	HW030+NMRV-P063	56C
2.4	1.0	1887	7.88	60.00	472.50	1974	1410	HW030+NMRV-P063	TS63B6	-	-
3.7	1.5	1263	7.88	60.00	472.50	1896	1410	HW030+NMRV-P063	TS63A4	-	-
3.3	5.0	1655	8.75	60.00	525.00	8246	2320	-	-	HW040+NMRV-P110	56C
2.2	3.2	2540	8.75	60.00	525.00	8116	2320	HW040+NMRV-P110	TS63B6	-	-
3.3	4.7	1688	8.75	60.00	525.00	8008	2320	HW040+NMRV-P110	TS63A4	-	-
3.3	3.3	1537	8.75	60.00	525.00	5127	1839	-	-	HW040+NMRV-P090	56C
2.2	2.1	2359	8.75	60.00	525.00	5031	1839	HW040+NMRV-P090	TS63B6	-	-
3.3	3.1	1570	8.75	60.00	525.00	4811	1839	HW040+NMRV-P090	TS63A4	-	-
2.1	1.3	2415	10.83	50.00	541.67	3228	1659	HW030+NMRV-P075	TS63B6	-	-
3.2	1.9	1601	10.83	50.00	541.67	3062	1659	HW030+NMRV-P075	TS63A4	-	-
3.2	1.8	1573	10.83	50.00	541.67	2835	1659	-	-	HW030+NMRV-P075	56C
3.2	1.5	1524	10.83	50.00	541.67	2283	1410	-	-	HW030+NMRV-P063	56C
3.2	1.4	1548	10.83	50.00	541.67	2167	1410	HW030+NMRV-P063	TS63A4	-	-
1.9	2.9	2733	7.67	80.00	613.33	7885	2320	HW040+NMRV-P110	TS63B6	-	-
2.9	4.2	1780	7.67	80.00	613.33	7509	2320	-	-	HW040+NMRV-P110	56C
2.9	3.9	1818	7.67	80.00	613.33	7022	2320	HW040+NMRV-P110	TS63A4	-	-
2.9	2.5	1642	7.67	80.00	613.33	4084	1839	-	-	HW040+NMRV-P090	56C
1.9	1.6	2521	7.67	80.00	613.33	3980	1839	HW040+NMRV-P090	TS63B6	-	-
2.9	2.2	1680	7.67	80.00	613.33	3771	1839	HW040+NMRV-P090	TS63A4	-	-

0.16 HP

Output speed [rpm]	Service factor sf	Output torque [in-lbs]	Ratio Stage 1	Ratio Stage 2	Exact ratio i	Max. torque [in-lbs]	OHL Output shaft [lbs]	Gearmotor		Gear Reducer	
								Reducer	Motor	Reducer	NEMA C-input
1.8	1.3	2730	10.83	60.00	650.00	3452	1659	HW030+NMRV-P075	TS63B6	-	-
2.7	1.8	1812	10.83	60.00	650.00	3352	1659	HW030+NMRV-P075	TS63A4	-	-
2.7	1.8	1778	10.83	60.00	650.00	3204	1659	-	-	HW030+NMRV-P075	56C
2.7	1.2	1669	10.83	60.00	650.00	2058	1410	-	-	HW030+NMRV-P063	56C
2.7	1.1	1702	10.83	60.00	650.00	1958	1410	HW030+NMRV-P063	TS63A4	-	-
1.6	2.6	3104	8.75	80.00	700.00	7971	2320	HW040+NMRV-P110	TS63B6	-	-
2.5	3.8	2022	8.75	80.00	700.00	7583	2320	-	-	HW040+NMRV-P110	56C
2.5	3.5	2060	8.75	80.00	700.00	7143	2320	HW040+NMRV-P110	TS63A4	-	-
2.5	2.2	1865	8.75	80.00	700.00	4125	1839	-	-	HW040+NMRV-P090	56C
1.6	1.4	2862	8.75	80.00	700.00	4035	1839	HW040+NMRV-P090	TS63B6	-	-
2.5	2.0	1902	8.75	80.00	700.00	3828	1839	HW040+NMRV-P090	TS63A4	-	-
1.5	2.2	3067	7.67	100.00	766.67	6608	2320	HW040+NMRV-P110	TS63B6	-	-
2.3	2.9	1998	7.67	100.00	766.67	5872	2320	-	-	HW040+NMRV-P110	56C
2.3	2.7	2054	7.67	100.00	766.67	5645	2320	HW040+NMRV-P110	TS63A4	-	-
2.3	1.8	1825	7.67	100.00	766.67	3238	1839	-	-	HW040+NMRV-P090	56C
1.5	1.1	2802	7.67	100.00	766.67	3201	1839	HW040+NMRV-P090	TS63B6	-	-
2.3	1.7	1882	7.67	100.00	766.67	3110	1839	HW040+NMRV-P090	TS63A4	-	-
2.2	1.2	1695	7.88	100.00	787.50	2053	1659	-	-	HW030+NMRV-P075	56C
2.2	1.1	1751	7.88	100.00	787.50	1973	1659	HW030+NMRV-P075	TS63A4	-	-
2.0	1.3	2098	10.83	80.00	866.67	2644	1659	-	-	HW030+NMRV-P075	56C
2.0	1.2	2135	10.83	80.00	866.67	2527	1659	HW030+NMRV-P075	TS63A4	-	-
1.3	1.9	3478	8.75	100.00	875.00	6660	2320	HW040+NMRV-P110	TS63B6	-	-
2.0	2.6	2266	8.75	100.00	875.00	5928	2320	-	-	HW040+NMRV-P110	56C
2.0	2.4	2322	8.75	100.00	875.00	5681	2320	HW040+NMRV-P110	TS63A4	-	-
2.0	1.6	2069	8.75	100.00	875.00	3269	1839	-	-	HW040+NMRV-P090	56C
1.3	1.0	3176	8.75	100.00	875.00	3227	1839	HW040+NMRV-P090	TS63B6	-	-
2.0	1.5	2125	8.75	100.00	875.00	3130	1839	HW040+NMRV-P090	TS63A4	-	-

0.25 HP

Output speed [rpm]	Service factor sf	Output torque [in-lbs]	Ratio Stage 1	Ratio Stage 2	Exact ratio i	Max. torque [in-lbs]	OHL Output shaft [lbs]	Gearmotor		Gear Reducer	
								Reducer	Motor	Reducer	NEMA C-input
52.0	7.8	240	2.94	7.50	22.08	1878	814	-	-	HW030+NMRV-P063	56C
52.0	7.4	240	2.94	7.50	22.08	1773	814	HW030+NMRV-P063	TS71A6	-	-
52.0	3.7	235	2.94	7.50	22.08	877	623	HA31+NMRV050	TS71A6	-	-
79.0	5.3	156	2.94	7.50	22.08	820	540	HA31+NMRV050	TS63B4	-	-
52.0	2.4	232	2.94	7.50	22.08	549	454	HA31+NMRV040	TS71A6	-	-
79.0	3.1	154	2.94	7.50	22.08	475	393	HA31+NMRV040	TS63B4	-	-
48.0	2.5	255	4.75	5.00	23.75	647	638	HA31+NMRV050	TS71A6	-	-
74.0	3.6	168	4.75	5.00	23.75	603	553	HA31+NMRV050	TS63B4	-	-
48.0	2.3	255	4.75	5.00	23.75	583	465	HA31+NMRV040	TS71A6	-	-
74.0	3.1	168	4.75	5.00	23.75	522	403	HA31+NMRV040	TS63B4	-	-

0.25 HP

Output speed [rpm]	Service factor sf	Output torque [in-lbs]	Ratio Stage 1	Ratio Stage 2	Exact ratio i	Max. torque [in-lbs]	OHL Output shaft [lbs]	Gearmotor		Gear Reducer	
								Reducer	Motor	Reducer	NEMA C-input
45.0	2.5	274	5.10	5.00	25.50	675	653	HA31+NMRV050	TS71A6	-	-
69.0	3.5	180	5.10	5.00	25.50	628	566	HA31+NMRV050	TS63B4	-	-
45.0	2.2	274	5.10	5.00	25.50	591	476	HA31+NMRV040	TS71A6	-	-
69.0	3.0	180	5.10	5.00	25.50	534	413	HA31+NMRV040	TS63B4	-	-
39.0	8.0	312	3.87	7.50	29.00	2498	1052	HW030+NMRV-P075	TS71A6	-	-
39.0	8.0	312	3.87	7.50	29.00	2486	1052	-	-	HW030+NMRV-P075	56C
39.0	6.6	313	3.87	7.50	29.00	2056	891	-	-	HW030+NMRV-P063	56C
39.0	6.2	313	3.87	7.50	29.00	1941	891	HW030+NMRV-P063	TS71A6	-	-
39.0	3.5	305	2.94	10.00	29.44	1080	685	HA31+NMRV050	TS71A6	-	-
59.0	4.7	203	2.94	10.00	29.44	956	594	HA31+NMRV050	TS63B4	-	-
39.0	1.9	299	2.94	10.00	29.44	562	499	HA31+NMRV040	TS71A6	-	-
59.0	2.5	200	2.94	10.00	29.44	499	433	HA31+NMRV040	TS63B4	-	-
36.0	2.0	338	6.30	5.00	31.50	673	701	HA31+NMRV050	TS71A6	-	-
56.0	2.8	221	6.30	5.00	31.50	623	608	HA31+NMRV050	TS63B4	-	-
36.0	1.8	338	6.30	5.00	31.50	602	511	HA31+NMRV040	TS71A6	-	-
56.0	2.6	221	6.30	5.00	31.50	565	443	HA31+NMRV040	TS63B4	-	-
32.0	2.5	374	4.75	7.50	35.63	948	730	HA31+NMRV050	TS71A6	-	-
49.0	3.6	246	4.75	7.50	35.63	883	633	HA31+NMRV050	TS63B4	-	-
32.0	1.7	369	4.75	7.50	35.63	618	532	HA31+NMRV040	TS71A6	-	-
49.0	2.3	243	4.75	7.50	35.63	558	461	HA31+NMRV040	TS63B4	-	-
29.0	7.2	402	3.87	10.00	38.67	2907	1158	-	-	HW030+NMRV-P075	56C
29.0	7.1	402	3.87	10.00	38.67	2848	1158	HW030+NMRV-P075	TS71A6	-	-
45.0	8.0	259	3.87	10.00	38.67	2064	851	-	-	HW030+NMRV-P063	56C
29.0	5.2	397	3.87	10.00	38.67	2064	981	-	-	HW030+NMRV-P063	56C
29.0	4.9	397	3.87	10.00	38.67	1951	981	HW030+NMRV-P063	TS71A6	-	-
45.0	6.4	263	3.87	10.00	38.67	1692	851	HW030+NMRV-P063	TS63B4	-	-
28.0	2.3	429	5.45	7.50	40.91	987	765	HA31+NMRV050	TS71A6	-	-
43.0	3.3	281	5.45	7.50	40.91	918	663	HA31+NMRV050	TS63B4	-	-
28.0	1.5	424	5.45	7.50	40.91	633	557	HA31+NMRV040	TS71A6	-	-
43.0	2.1	278	5.45	7.50	40.91	580	483	HA31+NMRV040	TS63B4	-	-
26.0	6.9	443	2.94	15.00	44.17	3065	1211	HW030+NMRV-P075	TS71A6	-	-
26.0	5.3	443	2.94	15.00	44.17	2325	1211	-	-	HW030+NMRV-P075	56C
40.0	7.3	281	2.94	15.00	44.17	2062	889	-	-	HW030+NMRV-P063	56C
26.0	4.8	431	2.94	15.00	44.17	2062	1026	-	-	HW030+NMRV-P063	56C
26.0	4.5	431	2.94	15.00	44.17	1928	1026	HW030+NMRV-P063	TS71A6	-	-
40.0	5.8	289	2.94	15.00	44.17	1672	889	HW030+NMRV-P063	TS63B4	-	-
26.0	2.5	425	2.94	15.00	44.17	1073	785	HA31+NMRV050	TS71A6	-	-
40.0	3.3	286	2.94	15.00	44.17	956	680	HA31+NMRV050	TS63B4	-	-
26.0	1.4	423	2.94	15.00	44.17	577	572	HA31+NMRV040	TS71A6	-	-
40.0	1.8	282	2.94	15.00	44.17	517	496	HA31+NMRV040	TS63B4	-	-
24.0	6.3	491	4.75	10.00	47.50	3113	1240	-	-	HW030+NMRV-P075	56C

0.25 HP

Output speed [rpm]	Service factor sf	Output torque [in-lbs]	Ratio Stage 1	Ratio Stage 2	Exact ratio i	Max. torque [in-lbs]	OHL Output shaft [lbs]	Gearmotor		Gear Reducer	
								Reducer	Motor	Reducer	NEMA C-input
24.0	6.2	491	4.75	10.00	47.50	3051	1240	HW030+NMRV-P075	TS71A6	-	-
37.0	7.0	316	4.75	10.00	47.50	2210	911	-	-	HW030+NMRV-P063	56C
24.0	4.6	485	4.75	10.00	47.50	2210	1051	-	-	HW030+NMRV-P063	56C
24.0	4.3	485	4.75	10.00	47.50	2091	1051	HW030+NMRV-P063	TS71A6	-	-
37.0	5.7	320	4.75	10.00	47.50	1813	911	HW030+NMRV-P063	TS63B4	-	-
24.0	2.4	486	4.75	10.00	47.50	1184	804	HA31+NMRV050	TS71A6	-	-
37.0	3.4	320	4.75	10.00	47.50	1093	697	HA31+NMRV050	TS63B4	-	-
24.0	1.3	473	4.75	10.00	47.50	614	586	HA31+NMRV040	TS71A6	-	-
37.0	1.8	314	4.75	10.00	47.50	569	508	HA31+NMRV040	TS63B4	-	-
21.0	2.2	558	5.45	10.00	54.55	1206	842	HA31+NMRV050	TS71A6	-	-
32.0	3.1	366	5.45	10.00	54.55	1127	730	HA31+NMRV050	TS63B4	-	-
21.0	1.1	544	5.45	10.00	54.55	625	613	HA31+NMRV040	TS71A6	-	-
32.0	1.6	358	5.45	10.00	54.55	586	532	HA31+NMRV040	TS63B4	-	-
20.0	5.8	574	3.87	15.00	58.00	3355	1326	HW030+NMRV-P075	TS71A6	-	-
30.0	7.6	382	3.87	15.00	58.00	2909	1149	HW030+NMRV-P075	TS63B4	-	-
30.0	6.8	374	3.87	15.00	58.00	2546	1149	-	-	HW030+NMRV-P075	56C
20.0	4.4	574	3.87	15.00	58.00	2546	1326	-	-	HW030+NMRV-P075	56C
30.0	6.2	364	3.87	15.00	58.00	2258	974	-	-	HW030+NMRV-P063	56C
20.0	4.0	559	3.87	15.00	58.00	2258	1123	-	-	HW030+NMRV-P063	56C
20.0	3.8	559	3.87	15.00	58.00	2110	1123	HW030+NMRV-P063	TS71A6	-	-
30.0	4.9	373	3.87	15.00	58.00	1829	974	HW030+NMRV-P063	TS63B4	-	-
19.0	1.8	539	2.94	20.00	58.89	952	864	HA31+NMRV050	TS71A6	-	-
30.0	2.3	365	2.94	20.00	58.89	850	749	HA31+NMRV050	TS63B4	-	-
30.0	1.3	361	2.94	20.00	58.89	486	545	HA31+NMRV040	TS63B4	-	-
18.0	1.9	644	6.30	10.00	63.00	1213	883	HA31+NMRV050	TS71A6	-	-
28.0	2.8	421	6.30	10.00	63.00	1157	766	HA31+NMRV050	TS63B4	-	-
18.0	1.0	628	6.30	10.00	63.00	628	644	HA31+NMRV040	TS71A6	-	-
28.0	1.5	411	6.30	10.00	63.00	601	558	HA31+NMRV040	TS63B4	-	-
16.0	5.1	700	4.75	15.00	71.25	3595	1420	HW030+NMRV-P075	TS71A6	-	-
25.0	6.7	464	4.75	15.00	71.25	3117	1231	HW030+NMRV-P075	TS63B4	-	-
25.0	6.0	456	4.75	15.00	71.25	2726	1231	-	-	HW030+NMRV-P075	56C
16.0	3.9	700	4.75	15.00	71.25	2726	1420	-	-	HW030+NMRV-P075	56C
25.0	5.4	444	4.75	15.00	71.25	2418	1043	-	-	HW030+NMRV-P063	56C
16.0	3.5	681	4.75	15.00	71.25	2418	1203	-	-	HW030+NMRV-P063	56C
16.0	3.3	681	4.75	15.00	71.25	2261	1203	HW030+NMRV-P063	TS71A6	-	-
25.0	4.3	452	4.75	15.00	71.25	1960	1043	HW030+NMRV-P063	TS63B4	-	-
16.0	1.7	673	4.75	15.00	71.25	1169	920	HA31+NMRV050	TS71A6	-	-
25.0	2.4	446	4.75	15.00	71.25	1086	798	HA31+NMRV050	TS63B4	-	-
25.0	1.3	444	4.75	15.00	71.25	583	581	HA31+NMRV040	TS63B4	-	-
15.0	5.3	726	3.87	20.00	77.33	3858	1459	-	-	HW030+NMRV-P075	56C
15.0	5.0	726	3.87	20.00	77.33	3623	1459	HW030+NMRV-P075	TS71A6	-	-

0.25 HP

Output speed [rpm]	Service factor sf	Output torque [in-lbs]	Ratio Stage 1	Ratio Stage 2	Exact ratio i	Max. torque [in-lbs]	OHL Output shaft [lbs]	Gearmotor		Gear Reducer	
								Reducer	Motor	Reducer	NEMA C-input
23.0	6.3	487	3.87	20.00	77.33	3057	1265	HW030+NMRV-P075	TS63B4	-	-
23.0	4.9	460	3.87	20.00	77.33	2269	1072	-	-	HW030+NMRV-P063	56C
15.0	3.2	706	3.87	20.00	77.33	2269	1236	-	-	HW030+NMRV-P063	56C
15.0	3.0	706	3.87	20.00	77.33	2153	1236	HW030+NMRV-P063	TS71A6	-	-
23.0	3.8	474	3.87	20.00	77.33	1816	1072	HW030+NMRV-P063	TS63B4	-	-
15.0	7.3	736	3.11	25.00	77.63	5400	1617	-	-	HW040+NMRV-P090	56C
15.0	6.8	736	3.11	25.00	77.63	4992	1617	HW040+NMRV-P090	TS71A6	-	-
23.0	8.0	493	3.11	25.00	77.63	3927	1401	HW040+NMRV-P090	TS63B4	-	-
14.0	1.5	805	7.88	10.00	78.75	1213	952	HA31+NMRV050	TS71A6	-	-
22.0	2.1	525	7.88	10.00	78.75	1128	825	HA31+NMRV050	TS63B4	-	-
22.0	1.2	511	7.88	10.00	78.75	621	601	HA31+NMRV040	TS63B4	-	-
14.0	4.6	800	5.45	15.00	81.82	3658	1487	HW030+NMRV-P075	TS71A6	-	-
21.0	6.2	530	5.45	15.00	81.82	3264	1289	HW030+NMRV-P075	TS63B4	-	-
21.0	5.5	521	5.45	15.00	81.82	2855	1289	-	-	HW030+NMRV-P075	56C
14.0	3.6	800	5.45	15.00	81.82	2855	1487	-	-	HW030+NMRV-P075	56C
21.0	5.0	507	5.45	15.00	81.82	2532	1092	-	-	HW030+NMRV-P063	56C
14.0	3.3	779	5.45	15.00	81.82	2532	1260	-	-	HW030+NMRV-P063	56C
14.0	3.0	779	5.45	15.00	81.82	2367	1260	HW030+NMRV-P063	TS71A6	-	-
21.0	4.0	516	5.45	15.00	81.82	2053	1092	HW030+NMRV-P063	TS63B4	-	-
14.0	7.4	818	4.20	20.00	84.00	6068	1660	-	-	HW040+NMRV-P090	56C
14.0	6.9	818	4.20	20.00	84.00	5608	1660	HW040+NMRV-P090	TS71A6	-	-
20.0	7.2	490	2.94	30.00	88.33	3541	1322	-	-	HW030+NMRV-P075	56C
13.0	4.7	752	2.94	30.00	88.33	3541	1525	-	-	HW030+NMRV-P075	56C
13.0	4.4	752	2.94	30.00	88.33	3313	1525	HW030+NMRV-P075	TS71A6	-	-
20.0	5.6	511	2.94	30.00	88.33	2873	1322	HW030+NMRV-P075	TS63B4	-	-
20.0	4.7	468	2.94	30.00	88.33	2211	1120	-	-	HW030+NMRV-P063	56C
13.0	3.1	718	2.94	30.00	88.33	2211	1292	-	-	HW030+NMRV-P063	56C
13.0	2.9	718	2.94	30.00	88.33	2051	1292	HW030+NMRV-P063	TS71A6	-	-
20.0	3.6	489	2.94	30.00	88.33	1778	1120	HW030+NMRV-P063	TS63B4	-	-
13.0	1.6	706	2.94	30.00	88.33	1107	989	HA31+NMRV050	TS71A6	-	-
20.0	2.0	481	2.94	30.00	88.33	960	857	HA31+NMRV050	TS63B4	-	-
20.0	1.1	474	2.94	30.00	88.33	530	624	HA31+NMRV040	TS63B4	-	-
12.0	7.4	826	3.11	30.00	93.16	6145	1718	-	-	HW040+NMRV-P090	56C
12.0	6.9	826	3.11	30.00	93.16	5680	1718	HW040+NMRV-P090	TS71A6	-	-
12.0	1.3	893	6.30	15.00	94.50	1195	1011	HA31+NMRV050	TS71A6	-	-
19.0	2.0	584	6.30	15.00	94.50	1144	877	HA31+NMRV050	TS63B4	-	-
19.0	1.0	584	6.30	15.00	94.50	612	639	HA31+NMRV040	TS63B4	-	-
18.0	7.1	575	4.75	20.00	95.00	4065	1355	-	-	HW030+NMRV-P075	56C
12.0	4.6	883	4.75	20.00	95.00	4065	1563	-	-	HW030+NMRV-P075	56C
12.0	4.4	883	4.75	20.00	95.00	3857	1563	HW030+NMRV-P075	TS71A6	-	-
18.0	5.7	589	4.75	20.00	95.00	3366	1355	HW030+NMRV-P075	TS63B4	-	-

0.25 HP

Output speed [rpm]	Service factor sf	Output torque [in-lbs]	Ratio Stage 1	Ratio Stage 2	Exact ratio i	Max. torque [in-lbs]	OHL Output shaft [lbs]	Gearmotor		Gear Reducer	
								Reducer	Motor	Reducer	NEMA C-input
18.0	4.3	559	4.75	20.00	95.00	2383	1148	-	-	HW030+NMRV-P063	56C
12.0	2.8	859	4.75	20.00	95.00	2383	1324	-	-	HW030+NMRV-P063	56C
12.0	2.6	859	4.75	20.00	95.00	2271	1324	HW030+NMRV-P063	TS71A6	-	-
18.0	3.5	573	4.75	20.00	95.00	1997	1148	HW030+NMRV-P063	TS63B4	-	-
11.0	1.2	911	5.10	20.00	102.00	1048	1037	HA31+NMRV050	TS71A6	-	-
17.0	1.6	604	5.10	20.00	102.00	978	899	HA31+NMRV050	TS63B4	-	-
16.0	6.4	657	5.45	20.00	109.09	4177	1419	-	-	HW030+NMRV-P075	56C
10.0	4.1	1009	5.45	20.00	109.09	4177	1636	-	-	HW030+NMRV-P075	56C
10.0	3.9	1009	5.45	20.00	109.09	3973	1636	HW030+NMRV-P075	TS71A6	-	-
16.0	5.3	671	5.45	20.00	109.09	3525	1419	HW030+NMRV-P075	TS63B4	-	-
16.0	3.8	639	5.45	20.00	109.09	2443	1202	-	-	HW030+NMRV-P063	56C
10.0	2.5	980	5.45	20.00	109.09	2443	1386	-	-	HW030+NMRV-P063	56C
10.0	2.4	980	5.45	20.00	109.09	2337	1386	HW030+NMRV-P063	TS71A6	-	-
16.0	3.2	653	5.45	20.00	109.09	2099	1202	HW030+NMRV-P063	TS63B4	-	-
10.0	1.1	974	5.45	20.00	109.09	1057	1061	HA31+NMRV050	TS71A6	-	-
16.0	1.5	643	5.45	20.00	109.09	991	919	HA31+NMRV050	TS63B4	-	-
10.0	6.3	1061	5.50	20.00	110.00	6638	1816	-	-	HW040+NMRV-P090	56C
10.0	5.8	1061	5.50	20.00	110.00	6135	1816	HW040+NMRV-P090	TS71A6	-	-
16.0	7.6	702	5.50	20.00	110.00	5319	1574	HW040+NMRV-P090	TS63B4	-	-
15.0	6.1	631	3.87	30.00	116.00	3877	1448	-	-	HW030+NMRV-P075	56C
10.0	4.0	969	3.87	30.00	116.00	3877	1659	-	-	HW030+NMRV-P075	56C
10.0	3.7	969	3.87	30.00	116.00	3626	1659	HW030+NMRV-P075	TS71A6	-	-
15.0	4.8	653	3.87	30.00	116.00	3144	1448	HW030+NMRV-P075	TS63B4	-	-
10.0	2.1	1114	7.88	15.00	118.13	2330	1410	HW030+NMRV-P063	TS71A6	-	-
15.0	3.2	734	7.88	15.00	118.13	2320	1234	HW030+NMRV-P063	TS63B4	-	-
15.0	3.2	726	7.88	15.00	118.13	2317	1234	-	-	HW030+NMRV-P063	56C
10.0	2.1	1114	7.88	15.00	118.13	2317	1410	-	-	HW030+NMRV-P063	56C
10.0	1.1	1116	7.88	15.00	118.13	1195	1088	HA31+NMRV050	TS71A6	-	-
15.0	1.6	727	7.88	15.00	118.13	1180	944	HA31+NMRV050	TS63B4	-	-
9.0	6.2	1097	4.20	30.00	126.00	6795	1839	-	-	HW040+NMRV-P090	56C
9.0	5.7	1097	4.20	30.00	126.00	6281	1839	HW040+NMRV-P090	TS71A6	-	-
14.0	7.4	736	4.20	30.00	126.00	5445	1647	HW040+NMRV-P090	TS63B4	-	-
14.0	1.3	712	5.10	25.00	127.50	898	969	HA31+NMRV050	TS63B4	-	-
13.0	4.7	787	5.45	25.00	136.36	3707	1528	-	-	HW030+NMRV-P075	56C
8.0	3.1	1208	5.45	25.00	136.36	3707	1659	-	-	HW030+NMRV-P075	56C
8.0	2.9	1208	5.45	25.00	136.36	3551	1659	HW030+NMRV-P075	TS71A6	-	-
13.0	4.0	804	5.45	25.00	136.36	3183	1528	HW030+NMRV-P075	TS63B4	-	-
13.0	2.9	764	5.45	25.00	136.36	2214	1295	-	-	HW030+NMRV-P063	56C
8.0	1.9	1172	5.45	25.00	136.36	2214	1410	-	-	HW030+NMRV-P063	56C
8.0	1.8	1172	5.45	25.00	136.36	2123	1410	HW030+NMRV-P063	TS71A6	-	-
13.0	2.4	781	5.45	25.00	136.36	1913	1295	HW030+NMRV-P063	TS63B4	-	-

0.25 HP

Output speed [rpm]	Service factor sf	Output torque [in-lbs]	Ratio Stage 1	Ratio Stage 2	Exact ratio i	Max. torque [in-lbs]	OHL Output shaft [lbs]	Gearmotor		Gear Reducer	
								Reducer	Motor	Reducer	NEMA C-input
8.0	6.5	1326	5.50	25.00	137.50	8574	2320	-	-	HW040+NMRV-P110	56C
8.0	6.4	1326	5.50	25.00	137.50	8475	2320	HW040+NMRV-P110	TS71A6	-	-
13.0	7.5	829	5.50	25.00	137.50	6191	1696	-	-	HW040+NMRV-P090	56C
8.0	4.9	1273	5.50	25.00	137.50	6191	1839	-	-	HW040+NMRV-P090	56C
8.0	4.7	1273	5.50	25.00	137.50	5925	1839	HW040+NMRV-P090	TS71A6	-	-
13.0	6.2	843	5.50	25.00	137.50	5235	1696	HW040+NMRV-P090	TS63B4	-	-
12.0	5.4	767	4.75	30.00	142.50	4152	1551	-	-	HW030+NMRV-P075	56C
8.0	3.5	1177	4.75	30.00	142.50	4152	1659	-	-	HW030+NMRV-P075	56C
8.0	3.3	1177	4.75	30.00	142.50	3886	1659	HW030+NMRV-P075	TS71A6	-	-
12.0	4.3	788	4.75	30.00	142.50	3369	1551	HW030+NMRV-P075	TS63B4	-	-
12.0	3.5	731	4.75	30.00	142.50	2593	1314	-	-	HW030+NMRV-P063	56C
8.0	2.3	1122	4.75	30.00	142.50	2593	1410	-	-	HW030+NMRV-P063	56C
8.0	2.1	1122	4.75	30.00	142.50	2405	1410	HW030+NMRV-P063	TS71A6	-	-
12.0	2.8	752	4.75	30.00	142.50	2085	1314	HW030+NMRV-P063	TS63B4	-	-
8.0	1.1	1107	4.75	30.00	142.50	1246	1088	HA31+NMRV050	TS71A6	-	-
12.0	1.5	740	4.75	30.00	142.50	1124	1005	HA31+NMRV050	TS63B4	-	-
11.0	4.8	777	3.87	40.00	154.67	3763	1594	-	-	HW030+NMRV-P075	56C
7.0	3.2	1192	3.87	40.00	154.67	3763	1659	-	-	HW030+NMRV-P075	56C
7.0	3.0	1192	3.87	40.00	154.67	3554	1659	HW030+NMRV-P075	TS71A6	-	-
11.0	3.8	805	3.87	40.00	154.67	3081	1594	HW030+NMRV-P075	TS63B4	-	-
11.0	1.3	747	3.87	40.00	154.67	956	1033	HA31+NMRV050	TS63B4	-	-
7.0	7.3	1276	3.11	50.00	155.26	9289	2320	-	-	HW040+NMRV-P110	56C
7.0	6.9	1276	3.11	50.00	155.26	8755	2320	HW040+NMRV-P110	TS71A6	-	-
11.0	6.6	783	3.11	50.00	155.26	5173	1766	-	-	HW040+NMRV-P090	56C
7.0	4.3	1202	3.11	50.00	155.26	5173	1839	-	-	HW040+NMRV-P090	56C
7.0	4.1	1202	3.11	50.00	155.26	4874	1839	HW040+NMRV-P090	TS71A6	-	-
11.0	5.0	825	3.11	50.00	155.26	4139	1766	HW040+NMRV-P090	TS63B4	-	-
11.0	2.8	911	7.88	20.00	157.50	2579	1358	-	-	HW030+NMRV-P063	56C
7.0	1.8	1398	7.88	20.00	157.50	2579	1410	-	-	HW030+NMRV-P063	56C
7.0	1.8	1398	7.88	20.00	157.50	2479	1410	HW030+NMRV-P063	TS71A6	-	-
11.0	2.5	925	7.88	20.00	157.50	2308	1358	HW030+NMRV-P063	TS63B4	-	-
11.0	5.0	875	5.45	30.00	163.64	4348	1624	-	-	HW030+NMRV-P075	56C
7.0	3.2	1343	5.45	30.00	163.64	4348	1659	-	-	HW030+NMRV-P075	56C
7.0	3.0	1343	5.45	30.00	163.64	4069	1659	HW030+NMRV-P075	TS71A6	-	-
11.0	3.9	896	5.45	30.00	163.64	3528	1624	HW030+NMRV-P075	TS63B4	-	-
11.0	3.3	834	5.45	30.00	163.64	2715	1376	-	-	HW030+NMRV-P063	56C
7.0	2.1	1280	5.45	30.00	163.64	2715	1410	-	-	HW030+NMRV-P063	56C
7.0	2.0	1280	5.45	30.00	163.64	2519	1410	HW030+NMRV-P063	TS71A6	-	-
11.0	2.6	855	5.45	30.00	163.64	2184	1376	HW030+NMRV-P063	TS63B4	-	-
7.0	1.0	1271	5.45	30.00	163.64	1275	1088	HA31+NMRV050	TS71A6	-	-
11.0	1.4	841	5.45	30.00	163.64	1169	1053	HA31+NMRV050	TS63B4	-	-



0.25 HP

Output speed [rpm]	Service factor sf	Output torque [in-lbs]	Ratio Stage 1	Ratio Stage 2	Exact ratio i	Max. torque [in-lbs]	OHL Output shaft [lbs]	Gearmotor		Gear Reducer	
								Reducer	Motor	Reducer	NEMA C-input
7.0	5.2	1418	5.50	30.00	165.00	7434	1839	-	-	HW040+NMRV-P090	56C
7.0	4.8	1418	5.50	30.00	165.00	6871	1839	HW040+NMRV-P090	TS71A6	-	-
11.0	6.3	945	5.50	30.00	165.00	5957	1802	HW040+NMRV-P090	TS63B4	-	-
7.0	7.6	1420	4.20	40.00	168.00	10790	2320	-	-	HW040+NMRV-P110	56C
7.0	7.4	1420	4.20	40.00	168.00	10558	2320	HW040+NMRV-P110	TS71A6	-	-
10.0	3.9	791	2.94	60.00	176.67	3065	1659	-	-	HW030+NMRV-P075	56C
6.0	2.5	1215	2.94	60.00	176.67	3065	1659	-	-	HW030+NMRV-P075	56C
6.0	2.4	1215	2.94	60.00	176.67	2900	1659	HW030+NMRV-P075	TS71A6	-	-
10.0	3.0	842	2.94	60.00	176.67	2492	1659	HW030+NMRV-P075	TS63B4	-	-
10.0	2.4	747	2.94	60.00	176.67	1802	1410	-	-	HW030+NMRV-P063	56C
6.0	1.6	1146	2.94	60.00	176.67	1802	1410	-	-	HW030+NMRV-P063	56C
6.0	1.5	1146	2.94	60.00	176.67	1716	1410	HW030+NMRV-P063	TS71A6	-	-
10.0	1.9	797	2.94	60.00	176.67	1490	1410	HW030+NMRV-P063	TS63B4	-	-
6.0	5.6	1442	3.11	60.00	186.32	8114	2320	-	-	HW040+NMRV-P110	56C
6.0	5.3	1442	3.11	60.00	186.32	7684	2320	HW040+NMRV-P110	TS71A6	-	-
9.0	5.2	877	3.11	60.00	186.32	4523	1839	-	-	HW040+NMRV-P090	56C
6.0	3.4	1346	3.11	60.00	186.32	4523	1839	-	-	HW040+NMRV-P090	56C
6.0	3.2	1346	3.11	60.00	186.32	4301	1839	HW040+NMRV-P090	TS71A6	-	-
9.0	4.0	927	3.11	60.00	186.32	3700	1839	HW040+NMRV-P090	TS63B4	-	-
9.0	1.3	962	6.30	30.00	189.00	1210	1088	HA31+NMRV050	TS63B4	-	-
6.0	2.1	1722	7.88	25.00	196.88	3608	1659	HW030+NMRV-P075	TS71A6	-	-
9.0	3.2	1122	7.88	25.00	196.88	3581	1659	-	-	HW030+NMRV-P075	56C
6.0	2.1	1722	7.88	25.00	196.88	3581	1659	-	-	HW030+NMRV-P075	56C
9.0	3.1	1139	7.88	25.00	196.88	3508	1659	HW030+NMRV-P075	TS63B4	-	-
9.0	2.1	1089	7.88	25.00	196.88	2293	1410	-	-	HW030+NMRV-P063	56C
6.0	1.4	1671	7.88	25.00	196.88	2293	1410	-	-	HW030+NMRV-P063	56C
6.0	1.3	1671	7.88	25.00	196.88	2224	1410	HW030+NMRV-P063	TS71A6	-	-
9.0	1.9	1106	7.88	25.00	196.88	2098	1410	HW030+NMRV-P063	TS63B4	-	-
9.0	1.1	955	5.10	40.00	204.00	1017	1088	HA31+NMRV050	TS63B4	-	-
8.0	3.7	1075	5.45	40.00	218.18	3969	1659	-	-	HW030+NMRV-P075	56C
5.0	2.4	1650	5.45	40.00	218.18	3969	1659	-	-	HW030+NMRV-P075	56C
5.0	2.3	1650	5.45	40.00	218.18	3835	1659	HW030+NMRV-P075	TS71A6	-	-
8.0	3.1	1103	5.45	40.00	218.18	3457	1659	HW030+NMRV-P075	TS63B4	-	-
8.0	2.4	1017	5.45	40.00	218.18	2394	1410	-	-	HW030+NMRV-P063	56C
5.0	1.5	1562	5.45	40.00	218.18	2394	1410	-	-	HW030+NMRV-P063	56C
5.0	1.5	1562	5.45	40.00	218.18	2321	1410	HW030+NMRV-P063	TS71A6	-	-
8.0	2.0	1051	5.45	40.00	218.18	2115	1410	HW030+NMRV-P063	TS63B4	-	-
5.0	6.2	1831	5.50	40.00	220.00	11262	2320	-	-	HW040+NMRV-P110	56C
5.0	6.1	1831	5.50	40.00	220.00	11144	2320	HW040+NMRV-P110	TS71A6	-	-
8.0	6.0	1139	5.50	40.00	220.00	6779	1839	-	-	HW040+NMRV-P090	56C
5.0	3.9	1749	5.50	40.00	220.00	6779	1839	-	-	HW040+NMRV-P090	56C

0.25 HP

Output speed [rpm]	Service factor sf	Output torque [in-lbs]	Ratio Stage 1	Ratio Stage 2	Exact ratio i	Max. torque [in-lbs]	OHL Output shaft [lbs]	Gearmotor		Gear Reducer	
								Reducer	Motor	Reducer	NEMA C-input
5.0	3.6	1749	5.50	40.00	220.00	6265	1839	HW040+NMRV-P090	TS71A6	-	-
8.0	4.7	1167	5.50	40.00	220.00	5432	1839	HW040+NMRV-P090	TS63B4	-	-
4.8	2.1	1914	7.88	30.00	236.25	4012	1659	HW030+NMRV-P075	TS71A6	-	-
7.0	3.1	1268	7.88	30.00	236.25	3987	1659	HW030+NMRV-P075	TS63B4	-	-
7.0	3.2	1247	7.88	30.00	236.25	3979	1659	-	-	HW030+NMRV-P075	56C
4.8	2.1	1914	7.88	30.00	236.25	3979	1659	-	-	HW030+NMRV-P075	56C
7.0	2.6	1187	7.88	30.00	236.25	3068	1410	-	-	HW030+NMRV-P063	56C
4.8	1.7	1822	7.88	30.00	236.25	3068	1410	-	-	HW030+NMRV-P063	56C
4.8	1.6	1822	7.88	30.00	236.25	2846	1410	HW030+NMRV-P063	TS71A6	-	-
7.0	2.0	1208	7.88	30.00	236.25	2468	1410	HW030+NMRV-P063	TS63B4	-	-
7.0	1.1	1195	7.88	30.00	236.25	1262	1088	HA31+NMRV050	TS63B4	-	-
4.5	4.6	1901	4.20	60.00	252.00	8701	2320	HW040+NMRV-P110	TS71A6	-	-
7.0	6.9	1239	4.20	60.00	252.00	8574	2320	-	-	HW040+NMRV-P110	56C
4.5	4.5	1901	4.20	60.00	252.00	8574	2320	-	-	HW040+NMRV-P110	56C
7.0	4.1	1154	4.20	60.00	252.00	4759	1839	-	-	HW040+NMRV-P090	56C
4.5	2.7	1771	4.20	60.00	252.00	4759	1839	-	-	HW040+NMRV-P090	56C
4.5	2.6	1771	4.20	60.00	252.00	4593	1839	HW040+NMRV-P090	TS71A6	-	-
7.0	3.4	1204	4.20	60.00	252.00	4149	1839	HW040+NMRV-P090	TS63B4	-	-
6.0	2.9	1226	5.45	50.00	272.73	3555	1659	-	-	HW030+NMRV-P075	56C
4.2	1.9	1882	5.45	50.00	272.73	3555	1659	-	-	HW030+NMRV-P075	56C
4.2	1.8	1882	5.45	50.00	272.73	3446	1659	HW030+NMRV-P075	TS71A6	-	-
6.0	2.5	1268	5.45	50.00	272.73	3190	1659	HW030+NMRV-P075	TS63B4	-	-
6.0	1.8	1183	5.45	50.00	272.73	2168	1410	-	-	HW030+NMRV-P063	56C
4.2	1.2	1815	5.45	50.00	272.73	2168	1410	-	-	HW030+NMRV-P063	56C
4.2	1.2	1815	5.45	50.00	272.73	2107	1410	HW030+NMRV-P063	TS71A6	-	-
6.0	1.6	1218	5.45	50.00	272.73	1959	1410	HW030+NMRV-P063	TS63B4	-	-
4.1	4.7	2186	5.50	50.00	275.00	10356	2320	HW040+NMRV-P110	TS71A6	-	-
6.0	7.2	1424	5.50	50.00	275.00	10245	2320	-	-	HW040+NMRV-P110	56C
4.1	4.7	2186	5.50	50.00	275.00	10245	2320	-	-	HW040+NMRV-P110	56C
6.0	6.2	1459	5.50	50.00	275.00	9111	2320	HW040+NMRV-P110	TS63B4	-	-
6.0	4.3	1328	5.50	50.00	275.00	5674	1839	-	-	HW040+NMRV-P090	56C
4.1	2.8	2039	5.50	50.00	275.00	5674	1839	-	-	HW040+NMRV-P090	56C
4.1	2.7	2039	5.50	50.00	275.00	5498	1839	HW040+NMRV-P090	TS71A6	-	-
6.0	3.7	1370	5.50	50.00	275.00	5075	1839	HW040+NMRV-P090	TS63B4	-	-
6.0	6.5	1570	6.09	50.00	304.55	10245	2320	-	-	HW040+NMRV-P110	56C
3.7	4.3	2410	6.09	50.00	304.55	10245	2320	-	-	HW040+NMRV-P110	56C
3.7	4.2	2410	6.09	50.00	304.55	10199	2320	HW040+NMRV-P110	TS71A6	-	-
6.0	5.8	1605	6.09	50.00	304.55	9335	2320	HW040+NMRV-P110	TS63B4	-	-
6.0	3.9	1463	6.09	50.00	304.55	5660	1839	-	-	HW040+NMRV-P090	56C
3.7	2.5	2245	6.09	50.00	304.55	5660	1839	-	-	HW040+NMRV-P090	56C
3.7	2.5	2245	6.09	50.00	304.55	5576	1839	HW040+NMRV-P090	TS71A6	-	-

0.25 HP

Output speed [rpm]	Service factor sf	Output torque [in-lbs]	Ratio Stage 1	Ratio Stage 2	Exact ratio i	Max. torque [in-lbs]	OHL Output shaft [lbs]	Gearmotor		Gear Reducer	
								Reducer	Motor	Reducer	NEMA C-input
6.0	3.5	1505	6.09	50.00	304.55	5192	1839	HW040+NMRV-P090	TS63B4	-	-
6.0	2.7	1529	7.88	40.00	315.00	4126	1659	-	-	HW030+NMRV-P075	56C
3.6	1.8	2348	7.88	40.00	315.00	4126	1659	-	-	HW030+NMRV-P075	56C
3.6	1.7	2348	7.88	40.00	315.00	4007	1659	HW030+NMRV-P075	TS71A6	-	-
6.0	2.4	1557	7.88	40.00	315.00	3798	1659	HW030+NMRV-P075	TS63B4	-	-
6.0	1.7	1442	7.88	40.00	315.00	2482	1410	-	-	HW030+NMRV-P063	56C
3.6	1.1	2214	7.88	40.00	315.00	2482	1410	-	-	HW030+NMRV-P063	56C
3.6	1.1	2214	7.88	40.00	315.00	2416	1410	HW030+NMRV-P063	TS71A6	-	-
6.0	1.6	1476	7.88	40.00	315.00	2299	1410	HW030+NMRV-P063	TS63B4	-	-
3.5	3.7	2447	5.50	60.00	330.00	9094	2320	HW040+NMRV-P110	TS71A6	-	-
5.0	5.6	1594	5.50	60.00	330.00	8876	2320	-	-	HW040+NMRV-P110	56C
3.5	3.6	2447	5.50	60.00	330.00	8876	2320	-	-	HW040+NMRV-P110	56C
5.0	4.8	1644	5.50	60.00	330.00	7968	2320	HW040+NMRV-P110	TS63B4	-	-
5.0	3.3	1483	5.50	60.00	330.00	4928	1839	-	-	HW040+NMRV-P090	56C
3.5	2.2	2276	5.50	60.00	330.00	4928	1839	-	-	HW040+NMRV-P090	56C
3.5	2.1	2276	5.50	60.00	330.00	4789	1839	HW040+NMRV-P090	TS71A6	-	-
5.0	2.9	1533	5.50	60.00	330.00	4450	1839	HW040+NMRV-P090	TS63B4	-	-
4.6	4.6	1960	7.67	50.00	383.33	8934	2320	-	-	HW040+NMRV-P110	56C
3.0	3.0	3008	7.67	50.00	383.33	8934	2320	-	-	HW040+NMRV-P110	56C
3.0	2.8	3008	7.67	50.00	383.33	8388	2320	HW040+NMRV-P110	TS71A6	-	-
4.6	4.2	1995	7.67	50.00	383.33	8294	2320	HW040+NMRV-P110	TS63B4	-	-
4.6	3.2	1822	7.67	50.00	383.33	5862	1839	-	-	HW040+NMRV-P090	56C
3.0	2.1	2796	7.67	50.00	383.33	5862	1839	-	-	HW040+NMRV-P090	56C
3.0	2.0	2796	7.67	50.00	383.33	5728	1839	HW040+NMRV-P090	TS71A6	-	-
4.6	2.9	1864	7.67	50.00	383.33	5417	1839	HW040+NMRV-P090	TS63B4	-	-
4.4	2.1	1736	7.88	50.00	393.75	3676	1659	-	-	HW030+NMRV-P075	56C
2.9	1.4	2665	7.88	50.00	393.75	3676	1659	-	-	HW030+NMRV-P075	56C
2.9	1.3	2665	7.88	50.00	393.75	3582	1659	HW030+NMRV-P075	TS71A6	-	-
4.4	1.9	1778	7.88	50.00	393.75	3416	1659	HW030+NMRV-P075	TS63B4	-	-
4.4	1.3	1679	7.88	50.00	393.75	2243	1410	-	-	HW030+NMRV-P063	56C
4.4	1.2	1714	7.88	50.00	393.75	2089	1410	HW030+NMRV-P063	TS63B4	-	-
4.0	1.2	1995	10.83	40.00	433.33	2392	1410	HW030+NMRV-P063	TS63B4	-	-
4.0	1.2	1961	10.83	40.00	433.33	2356	1410	-	-	HW030+NMRV-P063	56C
4.0	2.9	2068	8.75	50.00	437.50	5920	1839	-	-	HW040+NMRV-P090	56C
2.6	1.9	3175	8.75	50.00	437.50	5920	1839	-	-	HW040+NMRV-P090	56C
2.6	1.8	3175	8.75	50.00	437.50	5800	1839	HW040+NMRV-P090	TS71A6	-	-
4.0	2.6	2110	8.75	50.00	437.50	5525	1839	HW040+NMRV-P090	TS63B4	-	-
2.6	2.5	2984	5.50	80.00	440.00	7610	2320	HW040+NMRV-P110	TS71A6	-	-
4.0	3.8	1944	5.50	80.00	440.00	7300	2320	-	-	HW040+NMRV-P110	56C
2.6	2.4	2984	5.50	80.00	440.00	7300	2320	-	-	HW040+NMRV-P110	56C
4.0	3.3	2000	5.50	80.00	440.00	6637	2320	HW040+NMRV-P110	TS63B4	-	-

0.25 HP

Output speed [rpm]	Service factor sf	Output torque [in-lbs]	Ratio Stage 1	Ratio Stage 2	Exact ratio i	Max. torque [in-lbs]	OHL Output shaft [lbs]	Gearmotor		Gear Reducer	
								Reducer	Motor	Reducer	NEMA C-input
2.5	2.8	3356	7.67	60.00	460.00	9379	2320	HW040+NMRV-P110	TS71A6	-	-
3.8	4.2	2186	7.67	60.00	460.00	9162	2320	-	-	HW040+NMRV-P110	56C
2.5	2.7	3356	7.67	60.00	460.00	9162	2320	-	-	HW040+NMRV-P110	56C
3.8	3.8	2236	7.67	60.00	460.00	8491	2320	HW040+NMRV-P110	TS63B4	-	-
3.8	2.5	2031	7.67	60.00	460.00	5080	1839	-	-	HW040+NMRV-P090	56C
2.5	1.6	3117	7.67	60.00	460.00	5080	1839	-	-	HW040+NMRV-P090	56C
2.5	1.6	3117	7.67	60.00	460.00	4973	1839	HW040+NMRV-P090	TS71A6	-	-
3.8	2.3	2081	7.67	60.00	460.00	4725	1839	HW040+NMRV-P090	TS63B4	-	-
3.7	1.8	1964	7.88	60.00	472.50	3461	1659	-	-	HW030+NMRV-P075	56C
2.4	1.1	3015	7.88	60.00	472.50	3461	1659	-	-	HW030+NMRV-P075	56C
2.4	1.1	3015	7.88	60.00	472.50	3382	1659	HW030+NMRV-P075	TS71A6	-	-
3.7	1.6	2014	7.88	60.00	472.50	3239	1659	HW030+NMRV-P075	TS63B4	-	-
3.7	1.1	1844	7.88	60.00	472.50	2018	1410	-	-	HW030+NMRV-P063	56C
3.7	1.0	1895	7.88	60.00	472.50	1896	1410	HW030+NMRV-P063	TS63B4	-	-
3.3	3.3	2482	8.75	60.00	525.00	8246	2320	-	-	HW040+NMRV-P110	56C
2.2	2.2	3810	8.75	60.00	525.00	8246	2320	-	-	HW040+NMRV-P110	56C
2.2	2.1	3810	8.75	60.00	525.00	8116	2320	HW040+NMRV-P110	TS71A6	-	-
3.3	3.2	2532	8.75	60.00	525.00	8008	2320	HW040+NMRV-P110	TS63B4	-	-
3.3	2.2	2305	8.75	60.00	525.00	5127	1839	-	-	HW040+NMRV-P090	56C
2.2	1.4	3538	8.75	60.00	525.00	5127	1839	-	-	HW040+NMRV-P090	56C
2.2	1.4	3538	8.75	60.00	525.00	5031	1839	HW040+NMRV-P090	TS71A6	-	-
3.3	2.0	2355	8.75	60.00	525.00	4811	1839	HW040+NMRV-P090	TS63B4	-	-
3.2	1.3	2402	10.83	50.00	541.67	3062	1659	HW030+NMRV-P075	TS63B4	-	-
3.2	1.2	2360	10.83	50.00	541.67	2835	1659	-	-	HW030+NMRV-P075	56C
1.9	1.9	4099	7.67	80.00	613.33	7885	2320	HW040+NMRV-P110	TS71A6	-	-
2.9	2.8	2670	7.67	80.00	613.33	7509	2320	-	-	HW040+NMRV-P110	56C
1.9	1.8	4099	7.67	80.00	613.33	7509	2320	-	-	HW040+NMRV-P110	56C
2.9	2.6	2726	7.67	80.00	613.33	7022	2320	HW040+NMRV-P110	TS63B4	-	-
2.9	1.7	2463	7.67	80.00	613.33	4084	1839	-	-	HW040+NMRV-P090	56C
1.9	1.1	3781	7.67	80.00	613.33	4084	1839	-	-	HW040+NMRV-P090	56C
1.9	1.1	3781	7.67	80.00	613.33	3980	1839	HW040+NMRV-P090	TS71A6	-	-
2.9	1.5	2519	7.67	80.00	613.33	3771	1839	HW040+NMRV-P090	TS63B4	-	-
2.7	1.2	2718	10.83	60.00	650.00	3352	1659	HW030+NMRV-P075	TS63B4	-	-
2.7	1.2	2667	10.83	60.00	650.00	3204	1659	-	-	HW030+NMRV-P075	56C
1.6	1.7	4656	8.75	80.00	700.00	7971	2320	HW040+NMRV-P110	TS71A6	-	-
2.5	2.5	3033	8.75	80.00	700.00	7583	2320	-	-	HW040+NMRV-P110	56C
1.6	1.6	4656	8.75	80.00	700.00	7583	2320	-	-	HW040+NMRV-P110	56C
2.5	2.3	3089	8.75	80.00	700.00	7143	2320	HW040+NMRV-P110	TS63B4	-	-
2.5	1.5	2797	8.75	80.00	700.00	4125	1839	-	-	HW040+NMRV-P090	56C
2.5	1.3	2853	8.75	80.00	700.00	3828	1839	HW040+NMRV-P090	TS63B4	-	-
1.5	1.4	4600	7.67	100.00	766.67	6608	2320	HW040+NMRV-P110	TS71A6	-	-

0.25 HP

Output speed [rpm]	Service factor sf	Output torque [in-lbs]	Ratio Stage 1	Ratio Stage 2	Exact ratio i	Max. torque [in-lbs]	OHL Output shaft [lbs]	Gearmotor		Gear Reducer	
								Reducer	Motor	Reducer	NEMA C-input
2.3	2.0	2997	7.67	100.00	766.67	5872	2320	-	-	HW040+NMRV-P110	56C
1.5	1.3	4600	7.67	100.00	766.67	5872	2320	-	-	HW040+NMRV-P110	56C
2.3	1.8	3081	7.67	100.00	766.67	5645	2320	HW040+NMRV-P110	TS63B4	-	-
2.3	1.2	2738	7.67	100.00	766.67	3238	1839	-	-	HW040+NMRV-P090	56C
2.3	1.1	2822	7.67	100.00	766.67	3110	1839	HW040+NMRV-P090	TS63B4	-	-
1.3	1.3	5217	8.75	100.00	875.00	6660	2320	HW040+NMRV-P110	TS71A6	-	-
2.0	1.7	3399	8.75	100.00	875.00	5928	2320	-	-	HW040+NMRV-P110	56C
1.3	1.1	5217	8.75	100.00	875.00	5928	2320	-	-	HW040+NMRV-P110	56C
2.0	1.6	3483	8.75	100.00	875.00	5681	2320	HW040+NMRV-P110	TS63B4	-	-
2.0	1.1	3103	8.75	100.00	875.00	3269	1839	-	-	HW040+NMRV-P090	56C

0.33 HP

Output speed [rpm]	Service factor sf	Output torque [in-lbs]	Ratio Stage 1	Ratio Stage 2	Exact ratio i	Max. torque [in-lbs]	OHL Output shaft [lbs]	Gearmotor		Gear Reducer	
								Reducer	Motor	Reducer	NEMA C-input
52.0	7.5	332	2.94	7.50	22.08	2506	961	HW030+NMRV-P075	TS71B6	-	-
52.0	7.5	332	2.94	7.50	22.08	2500	961	-	-	HW030+NMRV-P075	56C
52.0	5.6	334	2.94	7.50	22.08	1878	814	-	-	HW030+NMRV-P063	56C
52.0	5.3	334	2.94	7.50	22.08	1773	814	HW030+NMRV-P063	TS71B6	-	-
79.0	6.9	222	2.94	7.50	22.08	1538	706	HW030+NMRV-P063	TS63D4	-	-
79.0	6.9	222	2.94	7.50	22.08	1538	706	HW030+NMRV-P063	TS71A4	-	-
52.0	2.7	326	2.94	7.50	22.08	877	623	HA31+NMRV050	TS71B6	-	-
79.0	3.8	217	2.94	7.50	22.08	820	540	HA31+NMRV050	TS63D4	-	-
79.0	3.8	217	2.94	7.50	22.08	820	540	HA31+NMRV050	TS71A4	-	-
52.0	1.7	322	2.94	7.50	22.08	549	454	HA31+NMRV040	TS71B6	-	-
79.0	2.2	214	2.94	7.50	22.08	475	393	HA31+NMRV040	TS63D4	-	-
79.0	2.2	214	2.94	7.50	22.08	475	393	HA31+NMRV040	TS71A4	-	-
48.0	1.8	354	4.75	5.00	23.75	647	638	HA31+NMRV050	TS71B6	-	-
74.0	2.6	234	4.75	5.00	23.75	603	553	HA31+NMRV050	TS63D4	-	-
74.0	2.6	234	4.75	5.00	23.75	603	553	HA31+NMRV050	TS71A4	-	-
48.0	1.6	354	4.75	5.00	23.75	583	465	HA31+NMRV040	TS71B6	-	-
74.0	2.2	234	4.75	5.00	23.75	522	403	HA31+NMRV040	TS63D4	-	-
74.0	2.2	234	4.75	5.00	23.75	522	403	HA31+NMRV040	TS71A4	-	-
45.0	1.8	381	5.10	5.00	25.50	675	653	HA31+NMRV050	TS71B6	-	-
69.0	2.5	250	5.10	5.00	25.50	628	566	HA31+NMRV050	TS63D4	-	-
69.0	2.5	250	5.10	5.00	25.50	628	566	HA31+NMRV050	TS71A4	-	-
45.0	1.6	381	5.10	5.00	25.50	591	476	HA31+NMRV040	TS71B6	-	-
69.0	2.1	250	5.10	5.00	25.50	534	413	HA31+NMRV040	TS63D4	-	-
69.0	2.1	250	5.10	5.00	25.50	534	413	HA31+NMRV040	TS71A4	-	-
39.0	5.8	434	3.87	7.50	29.00	2498	1052	HW030+NMRV-P075	TS71B6	-	-
39.0	5.7	434	3.87	7.50	29.00	2486	1052	-	-	HW030+NMRV-P075	56C
60.0	7.3	283	3.87	7.50	29.00	2056	773	-	-	HW030+NMRV-P063	56C

0.33 HP

Output speed [rpm]	Service factor sf	Output torque [in-lbs]	Ratio Stage 1	Ratio Stage 2	Exact ratio i	Max. torque [in-lbs]	OHL Output shaft [lbs]	Gearmotor		Gear Reducer	
								Reducer	Motor	Reducer	NEMA C-input
39.0	4.7	434	3.87	7.50	29.00	2056	891	-	-	HW030+NMRV-P063	56C
39.0	4.5	434	3.87	7.50	29.00	1941	891	HW030+NMRV-P063	TS71B6	-	-
60.0	5.9	287	3.87	7.50	29.00	1682	773	HW030+NMRV-P063	TS63D4	-	-
60.0	5.9	287	3.87	7.50	29.00	1682	773	HW030+NMRV-P063	TS71A4	-	-
39.0	2.5	424	2.94	10.00	29.44	1080	685	HA31+NMRV050	TS71B6	-	-
59.0	3.4	282	2.94	10.00	29.44	956	594	HA31+NMRV050	TS63D4	-	-
59.0	3.4	282	2.94	10.00	29.44	956	594	HA31+NMRV050	TS71A4	-	-
39.0	1.4	415	2.94	10.00	29.44	562	499	HA31+NMRV040	TS71B6	-	-
59.0	1.8	278	2.94	10.00	29.44	499	433	HA31+NMRV040	TS63D4	-	-
59.0	1.8	278	2.94	10.00	29.44	499	433	HA31+NMRV040	TS71A4	-	-
36.0	1.4	470	6.30	5.00	31.50	673	701	HA31+NMRV050	TS71B6	-	-
56.0	2.0	307	6.30	5.00	31.50	623	608	HA31+NMRV050	TS63D4	-	-
56.0	2.0	307	6.30	5.00	31.50	623	608	HA31+NMRV050	TS71A4	-	-
36.0	1.3	470	6.30	5.00	31.50	602	511	HA31+NMRV040	TS71B6	-	-
56.0	1.8	307	6.30	5.00	31.50	565	443	HA31+NMRV040	TS63D4	-	-
56.0	1.8	307	6.30	5.00	31.50	565	443	HA31+NMRV040	TS71A4	-	-
32.0	1.8	519	4.75	7.50	35.63	948	730	HA31+NMRV050	TS71B6	-	-
49.0	2.6	342	4.75	7.50	35.63	883	633	HA31+NMRV050	TS63D4	-	-
49.0	2.6	342	4.75	7.50	35.63	883	633	HA31+NMRV050	TS71A4	-	-
32.0	1.2	512	4.75	7.50	35.63	618	532	HA31+NMRV040	TS71B6	-	-
49.0	1.7	338	4.75	7.50	35.63	558	461	HA31+NMRV040	TS63D4	-	-
49.0	1.7	338	4.75	7.50	35.63	558	461	HA31+NMRV040	TS71A4	-	-
45.0	8.0	364	3.87	10.00	38.67	2907	1004	-	-	HW030+NMRV-P075	56C
29.0	5.2	558	3.87	10.00	38.67	2907	1158	-	-	HW030+NMRV-P075	56C
29.0	5.1	558	3.87	10.00	38.67	2848	1158	HW030+NMRV-P075	TS71B6	-	-
45.0	6.7	370	3.87	10.00	38.67	2469	1004	HW030+NMRV-P075	TS63D4	-	-
45.0	6.7	370	3.87	10.00	38.67	2469	1004	HW030+NMRV-P075	TS71A4	-	-
45.0	5.7	359	3.87	10.00	38.67	2064	851	-	-	HW030+NMRV-P063	56C
29.0	3.7	552	3.87	10.00	38.67	2064	981	-	-	HW030+NMRV-P063	56C
29.0	3.5	552	3.87	10.00	38.67	1951	981	HW030+NMRV-P063	TS71B6	-	-
45.0	4.6	365	3.87	10.00	38.67	1692	851	HW030+NMRV-P063	TS63D4	-	-
45.0	4.6	365	3.87	10.00	38.67	1692	851	HW030+NMRV-P063	TS71A4	-	-
28.0	1.7	596	5.45	7.50	40.91	987	765	HA31+NMRV050	TS71B6	-	-
43.0	2.3	391	5.45	7.50	40.91	918	663	HA31+NMRV050	TS63D4	-	-
43.0	2.3	391	5.45	7.50	40.91	918	663	HA31+NMRV050	TS71A4	-	-
28.0	1.1	588	5.45	7.50	40.91	633	557	HA31+NMRV040	TS71B6	-	-
43.0	1.5	386	5.45	7.50	40.91	580	483	HA31+NMRV040	TS63D4	-	-
43.0	1.5	386	5.45	7.50	40.91	580	483	HA31+NMRV040	TS71A4	-	-
27.0	7.2	620	4.20	10.00	42.00	4471	1317	-	-	HW040+NMRV-P090	56C
27.0	7.2	620	4.20	10.00	42.00	4471	1665	-	-	HW040+NMRV-P110	56C
27.0	7.1	620	4.20	10.00	42.00	4392	1665	HW040+NMRV-P110	TS71B6	-	-

0.33 HP

Output speed [rpm]	Service factor sf	Output torque [in-lbs]	Ratio Stage 1	Ratio Stage 2	Exact ratio i	Max. torque [in-lbs]	OHL Output shaft [lbs]	Gearmotor		Gear Reducer	
								Reducer	Motor	Reducer	NEMA C-input
27.0	7.1	620	4.20	10.00	42.00	4392	1317	HW040+NMRV-P090	TS71B6	-	-
26.0	5.0	615	2.94	15.00	44.17	3065	1211	HW030+NMRV-P075	TS71B6	-	-
40.0	6.4	412	2.94	15.00	44.17	2658	1049	HW030+NMRV-P075	TS63D4	-	-
40.0	6.4	412	2.94	15.00	44.17	2658	1049	HW030+NMRV-P075	TS71A4	-	-
40.0	5.8	400	2.94	15.00	44.17	2325	1049	-	-	HW030+NMRV-P075	56C
26.0	3.8	615	2.94	15.00	44.17	2325	1211	-	-	HW030+NMRV-P075	56C
40.0	5.3	390	2.94	15.00	44.17	2062	889	-	-	HW030+NMRV-P063	56C
26.0	3.4	599	2.94	15.00	44.17	2062	1026	-	-	HW030+NMRV-P063	56C
26.0	3.2	599	2.94	15.00	44.17	1928	1026	HW030+NMRV-P063	TS71B6	-	-
40.0	4.2	402	2.94	15.00	44.17	1672	889	HW030+NMRV-P063	TS63D4	-	-
40.0	4.2	402	2.94	15.00	44.17	1672	889	HW030+NMRV-P063	TS71A4	-	-
26.0	1.8	591	2.94	15.00	44.17	1073	785	HA31+NMRV050	TS71B6	-	-
40.0	2.4	397	2.94	15.00	44.17	956	680	HA31+NMRV050	TS63D4	-	-
40.0	2.4	397	2.94	15.00	44.17	956	680	HA31+NMRV050	TS71A4	-	-
40.0	1.3	392	2.94	15.00	44.17	517	496	HA31+NMRV040	TS63D4	-	-
40.0	1.3	392	2.94	15.00	44.17	517	496	HA31+NMRV040	TS71A4	-	-
24.0	8.0	663	3.11	15.00	46.58	5288	1364	HW040+NMRV-P090	TS71B6	-	-
37.0	7.0	444	4.75	10.00	47.50	3113	1075	-	-	HW030+NMRV-P075	56C
24.0	4.6	682	4.75	10.00	47.50	3113	1240	-	-	HW030+NMRV-P075	56C
24.0	4.5	682	4.75	10.00	47.50	3051	1240	HW030+NMRV-P075	TS71B6	-	-
37.0	5.9	450	4.75	10.00	47.50	2646	1075	HW030+NMRV-P075	TS63D4	-	-
37.0	5.9	450	4.75	10.00	47.50	2646	1075	HW030+NMRV-P075	TS71A4	-	-
37.0	5.0	439	4.75	10.00	47.50	2210	911	-	-	HW030+NMRV-P063	56C
24.0	3.3	674	4.75	10.00	47.50	2210	1051	-	-	HW030+NMRV-P063	56C
24.0	3.1	674	4.75	10.00	47.50	2091	1051	HW030+NMRV-P063	TS71B6	-	-
37.0	4.1	445	4.75	10.00	47.50	1813	911	HW030+NMRV-P063	TS63D4	-	-
37.0	4.1	445	4.75	10.00	47.50	1813	911	HW030+NMRV-P063	TS71A4	-	-
24.0	1.8	675	4.75	10.00	47.50	1184	804	HA31+NMRV050	TS71B6	-	-
37.0	2.5	445	4.75	10.00	47.50	1093	697	HA31+NMRV050	TS63D4	-	-
37.0	2.5	445	4.75	10.00	47.50	1093	697	HA31+NMRV050	TS71A4	-	-
37.0	1.3	435	4.75	10.00	47.50	569	508	HA31+NMRV040	TS63D4	-	-
37.0	1.3	435	4.75	10.00	47.50	569	508	HA31+NMRV040	TS71A4	-	-
21.0	1.6	775	5.45	10.00	54.55	1206	842	HA31+NMRV050	TS71B6	-	-
32.0	2.2	508	5.45	10.00	54.55	1127	730	HA31+NMRV050	TS71A4	-	-
32.0	2.2	508	5.45	10.00	54.55	1127	730	HA31+NMRV050	TS63D4	-	-
32.0	1.2	497	5.45	10.00	54.55	586	532	HA31+NMRV040	TS63D4	-	-
32.0	1.2	497	5.45	10.00	54.55	586	532	HA31+NMRV040	TS71A4	-	-
20.0	4.2	797	3.87	15.00	58.00	3355	1326	HW030+NMRV-P075	TS71B6	-	-
30.0	5.5	531	3.87	15.00	58.00	2909	1149	HW030+NMRV-P075	TS63D4	-	-
30.0	5.5	531	3.87	15.00	58.00	2909	1149	HW030+NMRV-P075	TS71A4	-	-
30.0	4.9	519	3.87	15.00	58.00	2546	1149	-	-	HW030+NMRV-P075	56C

0.33 HP

Output speed [rpm]	Service factor sf	Output torque [in-lbs]	Ratio Stage 1	Ratio Stage 2	Exact ratio i	Max. torque [in-lbs]	OHL Output shaft [lbs]	Gearmotor		Gear Reducer	
								Reducer	Motor	Reducer	NEMA C-input
20.0	3.2	797	3.87	15.00	58.00	2546	1326	-	-	HW030+NMRV-P075	56C
30.0	4.5	506	3.87	15.00	58.00	2258	974	-	-	HW030+NMRV-P063	56C
20.0	2.9	776	3.87	15.00	58.00	2258	1123	-	-	HW030+NMRV-P063	56C
20.0	2.7	776	3.87	15.00	58.00	2110	1123	HW030+NMRV-P063	TS71B6	-	-
30.0	3.5	517	3.87	15.00	58.00	1829	974	HW030+NMRV-P063	TS63D4	-	-
30.0	3.5	517	3.87	15.00	58.00	1829	974	HW030+NMRV-P063	TS71A4	-	-
19.0	1.3	749	2.94	20.00	58.89	952	864	HA31+NMRV050	TS71B6	-	-
30.0	1.7	508	2.94	20.00	58.89	850	749	HA31+NMRV050	TS63D4	-	-
30.0	1.7	508	2.94	20.00	58.89	850	749	HA31+NMRV050	TS71A4	-	-
18.0	7.1	886	4.20	15.00	63.00	6326	1508	-	-	HW040+NMRV-P090	56C
18.0	6.6	886	4.20	15.00	63.00	5847	1508	HW040+NMRV-P090	TS71B6	-	-
18.0	1.4	895	6.30	10.00	63.00	1213	883	HA31+NMRV050	TS71B6	-	-
28.0	2.0	585	6.30	10.00	63.00	1157	766	HA31+NMRV050	TS63D4	-	-
28.0	2.0	585	6.30	10.00	63.00	1157	766	HA31+NMRV050	TS71A4	-	-
28.0	1.1	570	6.30	10.00	63.00	601	558	HA31+NMRV040	TS63D4	-	-
28.0	1.1	570	6.30	10.00	63.00	601	558	HA31+NMRV040	TS71A4	-	-
16.0	3.7	972	4.75	15.00	71.25	3595	1420	HW030+NMRV-P075	TS71B6	-	-
25.0	4.8	645	4.75	15.00	71.25	3117	1231	HW030+NMRV-P075	TS63D4	-	-
25.0	4.8	645	4.75	15.00	71.25	3117	1231	HW030+NMRV-P075	TS71A4	-	-
25.0	4.3	633	4.75	15.00	71.25	2726	1231	-	-	HW030+NMRV-P075	56C
16.0	2.8	972	4.75	15.00	71.25	2726	1420	-	-	HW030+NMRV-P075	56C
25.0	3.9	616	4.75	15.00	71.25	2418	1043	-	-	HW030+NMRV-P063	56C
16.0	2.6	946	4.75	15.00	71.25	2418	1203	-	-	HW030+NMRV-P063	56C
16.0	2.4	946	4.75	15.00	71.25	2261	1203	HW030+NMRV-P063	TS71B6	-	-
25.0	3.1	628	4.75	15.00	71.25	1960	1043	HW030+NMRV-P063	TS63D4	-	-
25.0	3.1	628	4.75	15.00	71.25	1960	1043	HW030+NMRV-P063	TS71A4	-	-
16.0	1.2	935	4.75	15.00	71.25	1169	920	HA31+NMRV050	TS71B6	-	-
25.0	1.8	620	4.75	15.00	71.25	1086	798	HA31+NMRV050	TS63D4	-	-
25.0	1.8	620	4.75	15.00	71.25	1086	798	HA31+NMRV050	TS71A4	-	-
23.0	5.9	657	3.87	20.00	77.33	3858	1265	-	-	HW030+NMRV-P075	56C
15.0	3.8	1009	3.87	20.00	77.33	3858	1459	-	-	HW030+NMRV-P075	56C
15.0	3.6	1009	3.87	20.00	77.33	3623	1459	HW030+NMRV-P075	TS71B6	-	-
23.0	4.5	677	3.87	20.00	77.33	3057	1265	HW030+NMRV-P075	TS63D4	-	-
23.0	4.5	677	3.87	20.00	77.33	3057	1265	HW030+NMRV-P075	TS71A4	-	-
23.0	3.6	639	3.87	20.00	77.33	2269	1072	-	-	HW030+NMRV-P063	56C
15.0	2.3	981	3.87	20.00	77.33	2269	1236	-	-	HW030+NMRV-P063	56C
15.0	2.2	981	3.87	20.00	77.33	2153	1236	HW030+NMRV-P063	TS71B6	-	-
23.0	2.8	659	3.87	20.00	77.33	1816	1072	HW030+NMRV-P063	TS63D4	-	-
23.0	2.8	659	3.87	20.00	77.33	1816	1072	HW030+NMRV-P063	TS71A4	-	-
15.0	5.3	1022	3.11	25.00	77.63	5400	1617	-	-	HW040+NMRV-P090	56C
15.0	4.9	1022	3.11	25.00	77.63	4992	1617	HW040+NMRV-P090	TS71B6	-	-



0.33 HP

Output speed [rpm]	Service factor sf	Output torque [in-lbs]	Ratio Stage 1	Ratio Stage 2	Exact ratio i	Max. torque [in-lbs]	OHL Output shaft [lbs]	Gearmotor		Gear Reducer	
								Reducer	Motor	Reducer	NEMA C-input
23.0	5.7	685	3.11	25.00	77.63	3927	1401	HW040+NMRV-P090	TS63D4	-	-
23.0	5.7	685	3.11	25.00	77.63	3927	1401	HW040+NMRV-P090	TS71A4	-	-
14.0	1.1	1119	7.88	10.00	78.75	1213	952	HA31+NMRV050	TS71B6	-	-
22.0	1.5	729	7.88	10.00	78.75	1128	825	HA31+NMRV050	TS63D4	-	-
22.0	1.5	729	7.88	10.00	78.75	1128	825	HA31+NMRV050	TS71A4	-	-
14.0	3.3	1111	5.45	15.00	81.82	3658	1487	HW030+NMRV-P075	TS71B6	-	-
21.0	4.4	736	5.45	15.00	81.82	3264	1289	HW030+NMRV-P075	TS63D4	-	-
21.0	4.4	736	5.45	15.00	81.82	3264	1289	HW030+NMRV-P075	TS71A4	-	-
21.0	3.9	724	5.45	15.00	81.82	2855	1289	-	-	HW030+NMRV-P075	56C
14.0	2.6	1111	5.45	15.00	81.82	2855	1487	-	-	HW030+NMRV-P075	56C
21.0	3.6	705	5.45	15.00	81.82	2532	1092	-	-	HW030+NMRV-P063	56C
14.0	2.3	1082	5.45	15.00	81.82	2532	1260	-	-	HW030+NMRV-P063	56C
14.0	2.2	1082	5.45	15.00	81.82	2367	1260	HW030+NMRV-P063	TS71B6	-	-
21.0	2.9	716	5.45	15.00	81.82	2053	1092	HW030+NMRV-P063	TS63D4	-	-
21.0	2.9	716	5.45	15.00	81.82	2053	1092	HW030+NMRV-P063	TS71A4	-	-
14.0	7.2	1166	4.20	20.00	84.00	8403	2097	-	-	HW040+NMRV-P110	56C
14.0	7.1	1166	4.20	20.00	84.00	8279	2097	HW040+NMRV-P110	TS71B6	-	-
14.0	5.3	1136	4.20	20.00	84.00	6068	1660	-	-	HW040+NMRV-P090	56C
14.0	4.9	1136	4.20	20.00	84.00	5608	1660	HW040+NMRV-P090	TS71B6	-	-
21.0	6.4	755	4.20	20.00	84.00	4862	1439	HW040+NMRV-P090	TS63D4	-	-
21.0	6.4	755	4.20	20.00	84.00	4862	1439	HW040+NMRV-P090	TS71A4	-	-
20.0	5.2	680	2.94	30.00	88.33	3541	1322	-	-	HW030+NMRV-P075	56C
13.0	3.4	1044	2.94	30.00	88.33	3541	1525	-	-	HW030+NMRV-P075	56C
13.0	3.2	1044	2.94	30.00	88.33	3313	1525	HW030+NMRV-P075	TS71B6	-	-
20.0	4.0	710	2.94	30.00	88.33	2873	1322	HW030+NMRV-P075	TS63D4	-	-
20.0	4.0	710	2.94	30.00	88.33	2873	1322	HW030+NMRV-P075	TS71A4	-	-
20.0	3.4	649	2.94	30.00	88.33	2211	1120	-	-	HW030+NMRV-P063	56C
13.0	2.2	997	2.94	30.00	88.33	2211	1292	-	-	HW030+NMRV-P063	56C
13.0	2.1	997	2.94	30.00	88.33	2051	1292	HW030+NMRV-P063	TS71B6	-	-
20.0	2.6	679	2.94	30.00	88.33	1778	1120	HW030+NMRV-P063	TS63D4	-	-
20.0	2.6	679	2.94	30.00	88.33	1778	1120	HW030+NMRV-P063	TS71A4	-	-
13.0	1.1	981	2.94	30.00	88.33	1107	989	HA31+NMRV050	TS71B6	-	-
20.0	1.4	668	2.94	30.00	88.33	960	857	HA31+NMRV050	TS63D4	-	-
20.0	1.4	668	2.94	30.00	88.33	960	857	HA31+NMRV050	TS71A4	-	-
12.0	5.4	1147	3.11	30.00	93.16	6145	1718	-	-	HW040+NMRV-P090	56C
12.0	5.0	1147	3.11	30.00	93.16	5680	1718	HW040+NMRV-P090	TS71B6	-	-
19.0	6.3	777	3.11	30.00	93.16	4924	1489	HW040+NMRV-P090	TS63D4	-	-
19.0	6.3	777	3.11	30.00	93.16	4924	1489	HW040+NMRV-P090	TS71A4	-	-
19.0	1.4	811	6.30	15.00	94.50	1144	877	HA31+NMRV050	TS63D4	-	-
19.0	1.4	811	6.30	15.00	94.50	1144	877	HA31+NMRV050	TS71A4	-	-
18.0	5.1	799	4.75	20.00	95.00	4065	1355	-	-	HW030+NMRV-P075	56C

0.33 HP

Output speed [rpm]	Service factor sf	Output torque [in-lbs]	Ratio Stage 1	Ratio Stage 2	Exact ratio i	Max. torque [in-lbs]	OHL Output shaft [lbs]	Gearmotor		Gear Reducer	
								Reducer	Motor	Reducer	NEMA C-input
12.0	3.3	1227	4.75	20.00	95.00	4065	1563	-	-	HW030+NMRV-P075	56C
12.0	3.1	1227	4.75	20.00	95.00	3857	1563	HW030+NMRV-P075	TS71B6	-	-
18.0	4.1	819	4.75	20.00	95.00	3366	1355	HW030+NMRV-P075	TS63D4	-	-
18.0	4.1	819	4.75	20.00	95.00	3366	1355	HW030+NMRV-P075	TS71A4	-	-
18.0	3.1	777	4.75	20.00	95.00	2383	1148	-	-	HW030+NMRV-P063	56C
12.0	2.0	1193	4.75	20.00	95.00	2383	1324	-	-	HW030+NMRV-P063	56C
12.0	1.9	1193	4.75	20.00	95.00	2271	1324	HW030+NMRV-P063	TS71B6	-	-
18.0	2.5	796	4.75	20.00	95.00	1997	1148	HW030+NMRV-P063	TS63D4	-	-
18.0	2.5	796	4.75	20.00	95.00	1997	1148	HW030+NMRV-P063	TS71A4	-	-
17.0	1.2	839	5.10	20.00	102.00	978	899	HA31+NMRV050	TS63D4	-	-
17.0	1.2	839	5.10	20.00	102.00	978	899	HA31+NMRV050	TS71A4	-	-
11.0	7.2	1420	4.20	25.00	105.00	10232	2259	-	-	HW040+NMRV-P110	56C
11.0	7.1	1420	4.20	25.00	105.00	10083	2259	HW040+NMRV-P110	TS71B6	-	-
16.0	4.6	913	5.45	20.00	109.09	4177	1419	-	-	HW030+NMRV-P075	56C
10.0	3.0	1401	5.45	20.00	109.09	4177	1636	-	-	HW030+NMRV-P075	56C
10.0	2.8	1401	5.45	20.00	109.09	3973	1636	HW030+NMRV-P075	TS71B6	-	-
16.0	3.8	932	5.45	20.00	109.09	3525	1419	HW030+NMRV-P075	TS63D4	-	-
16.0	3.8	932	5.45	20.00	109.09	3525	1419	HW030+NMRV-P075	TS71A4	-	-
16.0	2.8	887	5.45	20.00	109.09	2443	1202	-	-	HW030+NMRV-P063	56C
10.0	1.8	1362	5.45	20.00	109.09	2443	1386	-	-	HW030+NMRV-P063	56C
10.0	1.7	1362	5.45	20.00	109.09	2337	1386	HW030+NMRV-P063	TS71B6	-	-
16.0	2.3	906	5.45	20.00	109.09	2099	1202	HW030+NMRV-P063	TS63D4	-	-
16.0	2.3	906	5.45	20.00	109.09	2099	1202	HW030+NMRV-P063	TS71A4	-	-
16.0	1.1	894	5.45	20.00	109.09	991	919	HA31+NMRV050	TS63D4	-	-
16.0	1.1	894	5.45	20.00	109.09	991	919	HA31+NMRV050	TS71A4	-	-
16.0	6.9	960	5.50	20.00	110.00	6638	1574	-	-	HW040+NMRV-P090	56C
10.0	4.5	1474	5.50	20.00	110.00	6638	1816	-	-	HW040+NMRV-P090	56C
10.0	4.2	1474	5.50	20.00	110.00	6135	1816	HW040+NMRV-P090	TS71B6	-	-
16.0	5.5	976	5.50	20.00	110.00	5319	1574	HW040+NMRV-P090	TS63D4	-	-
16.0	5.5	976	5.50	20.00	110.00	5319	1574	HW040+NMRV-P090	TS71A4	-	-
15.0	4.4	877	3.87	30.00	116.00	3877	1448	-	-	HW030+NMRV-P075	56C
10.0	2.9	1346	3.87	30.00	116.00	3877	1659	-	-	HW030+NMRV-P075	56C
10.0	2.7	1346	3.87	30.00	116.00	3626	1659	HW030+NMRV-P075	TS71B6	-	-
15.0	3.5	906	3.87	30.00	116.00	3144	1448	HW030+NMRV-P075	TS63D4	-	-
15.0	3.5	906	3.87	30.00	116.00	3144	1448	HW030+NMRV-P075	TS71A4	-	-
10.0	1.5	1547	7.88	15.00	118.13	2330	1410	HW030+NMRV-P063	TS71B6	-	-
15.0	2.3	1020	7.88	15.00	118.13	2320	1234	HW030+NMRV-P063	TS63D4	-	-
15.0	2.3	1020	7.88	15.00	118.13	2320	1234	HW030+NMRV-P063	TS71A4	-	-
15.0	2.3	1008	7.88	15.00	118.13	2317	1234	-	-	HW030+NMRV-P063	56C
10.0	1.5	1547	7.88	15.00	118.13	2317	1410	-	-	HW030+NMRV-P063	56C
15.0	1.2	1010	7.88	15.00	118.13	1180	944	HA31+NMRV050	TS63D4	-	-

0.33 HP

Output speed [rpm]	Service factor sf	Output torque [in-lbs]	Ratio Stage 1	Ratio Stage 2	Exact ratio i	Max. torque [in-lbs]	OHL Output shaft [lbs]	Gearmotor		Gear Reducer	
								Reducer	Motor	Reducer	NEMA C-input
15.0	1.2	1010	7.88	15.00	118.13	1180	944	HA31+NMRV050	TS71A4	-	-
9.0	7.2	1524	4.20	30.00	126.00	10988	2320	-	-	HW040+NMRV-P110	56C
9.0	7.2	1524	4.20	30.00	126.00	10901	2320	HW040+NMRV-P110	TS71B6	-	-
14.0	6.8	992	4.20	30.00	126.00	6795	1647	-	-	HW040+NMRV-P090	56C
9.0	4.5	1523	4.20	30.00	126.00	6795	1839	-	-	HW040+NMRV-P090	56C
9.0	4.1	1523	4.20	30.00	126.00	6281	1839	HW040+NMRV-P090	TS71B6	-	-
14.0	5.3	1022	4.20	30.00	126.00	5445	1647	HW040+NMRV-P090	TS63D4	-	-
14.0	5.3	1022	4.20	30.00	126.00	5445	1647	HW040+NMRV-P090	TS71A4	-	-
13.0	3.4	1093	5.45	25.00	136.36	3707	1528	-	-	HW030+NMRV-P075	56C
8.0	2.2	1677	5.45	25.00	136.36	3707	1659	-	-	HW030+NMRV-P075	56C
8.0	2.1	1677	5.45	25.00	136.36	3551	1659	HW030+NMRV-P075	TS71B6	-	-
13.0	2.8	1117	5.45	25.00	136.36	3183	1528	HW030+NMRV-P075	TS63D4	-	-
13.0	2.8	1117	5.45	25.00	136.36	3183	1528	HW030+NMRV-P075	TS71A4	-	-
13.0	2.1	1061	5.45	25.00	136.36	2214	1295	-	-	HW030+NMRV-P063	56C
8.0	1.4	1628	5.45	25.00	136.36	2214	1410	-	-	HW030+NMRV-P063	56C
8.0	1.3	1628	5.45	25.00	136.36	2123	1410	HW030+NMRV-P063	TS71B6	-	-
13.0	1.8	1085	5.45	25.00	136.36	1913	1295	HW030+NMRV-P063	TS63D4	-	-
13.0	1.8	1085	5.45	25.00	136.36	1913	1295	HW030+NMRV-P063	TS71A4	-	-
13.0	7.1	1200	5.50	25.00	137.50	8574	2143	-	-	HW040+NMRV-P110	56C
8.0	4.7	1842	5.50	25.00	137.50	8574	2320	-	-	HW040+NMRV-P110	56C
8.0	4.6	1842	5.50	25.00	137.50	8475	2320	HW040+NMRV-P110	TS71B6	-	-
13.0	6.8	1220	5.50	25.00	137.50	8302	2143	HW040+NMRV-P110	TS63D4	-	-
13.0	6.8	1220	5.50	25.00	137.50	8302	2143	HW040+NMRV-P110	TS71A4	-	-
13.0	5.4	1152	5.50	25.00	137.50	6191	1696	-	-	HW040+NMRV-P090	56C
8.0	3.5	1768	5.50	25.00	137.50	6191	1839	-	-	HW040+NMRV-P090	56C
8.0	3.4	1768	5.50	25.00	137.50	5925	1839	HW040+NMRV-P090	TS71B6	-	-
13.0	4.5	1171	5.50	25.00	137.50	5235	1696	HW040+NMRV-P090	TS63D4	-	-
13.0	4.5	1171	5.50	25.00	137.50	5235	1696	HW040+NMRV-P090	TS71A4	-	-
12.0	3.9	1065	4.75	30.00	142.50	4152	1551	-	-	HW030+NMRV-P075	56C
8.0	2.5	1635	4.75	30.00	142.50	4152	1659	-	-	HW030+NMRV-P075	56C
8.0	2.4	1635	4.75	30.00	142.50	3886	1659	HW030+NMRV-P075	TS71B6	-	-
12.0	3.1	1095	4.75	30.00	142.50	3369	1551	HW030+NMRV-P075	TS63D4	-	-
12.0	3.1	1095	4.75	30.00	142.50	3369	1551	HW030+NMRV-P075	TS71A4	-	-
12.0	2.6	1015	4.75	30.00	142.50	2593	1314	-	-	HW030+NMRV-P063	56C
8.0	1.7	1558	4.75	30.00	142.50	2593	1410	-	-	HW030+NMRV-P063	56C
8.0	1.5	1558	4.75	30.00	142.50	2405	1410	HW030+NMRV-P063	TS71B6	-	-
12.0	2.0	1044	4.75	30.00	142.50	2085	1314	HW030+NMRV-P063	TS63D4	-	-
12.0	2.0	1044	4.75	30.00	142.50	2085	1314	HW030+NMRV-P063	TS71A4	-	-
12.0	1.1	1028	4.75	30.00	142.50	1124	1005	HA31+NMRV050	TS63D4	-	-
12.0	1.1	1028	4.75	30.00	142.50	1124	1005	HA31+NMRV050	TS71A4	-	-
11.0	3.5	1079	3.87	40.00	154.67	3763	1594	-	-	HW030+NMRV-P075	56C

0.33 HP

Output speed [rpm]	Service factor sf	Output torque [in-lbs]	Ratio Stage 1	Ratio Stage 2	Exact ratio i	Max. torque [in-lbs]	OHL Output shaft [lbs]	Gearmotor		Gear Reducer	
								Reducer	Motor	Reducer	NEMA C-input
7.0	2.3	1656	3.87	40.00	154.67	3763	1659	-	-	HW030+NMRV-P075	56C
7.0	2.1	1656	3.87	40.00	154.67	3554	1659	HW030+NMRV-P075	TS71B6	-	-
11.0	2.8	1118	3.87	40.00	154.67	3081	1594	HW030+NMRV-P075	TS63D4	-	-
11.0	2.8	1118	3.87	40.00	154.67	3081	1594	HW030+NMRV-P075	TS71A4	-	-
7.0	5.2	1773	3.11	50.00	155.26	9289	2320	-	-	HW040+NMRV-P110	56C
7.0	4.9	1773	3.11	50.00	155.26	8755	2320	HW040+NMRV-P110	TS71B6	-	-
11.0	6.1	1204	3.11	50.00	155.26	7326	2231	HW040+NMRV-P110	TS71A4	-	-
11.0	4.8	1087	3.11	50.00	155.26	5173	1766	-	-	HW040+NMRV-P090	56C
7.0	3.1	1669	3.11	50.00	155.26	5173	1839	-	-	HW040+NMRV-P090	56C
7.0	2.9	1669	3.11	50.00	155.26	4874	1839	HW040+NMRV-P090	TS71B6	-	-
11.0	3.6	1146	3.11	50.00	155.26	4139	1766	HW040+NMRV-P090	TS63D4	-	-
11.0	3.6	1146	3.11	50.00	155.26	4139	1766	HW040+NMRV-P090	TS71A4	-	-
11.0	2.0	1265	7.88	20.00	157.50	2579	1358	-	-	HW030+NMRV-P063	56C
7.0	1.3	1942	7.88	20.00	157.50	2579	1410	-	-	HW030+NMRV-P063	56C
7.0	1.3	1942	7.88	20.00	157.50	2479	1410	HW030+NMRV-P063	TS71B6	-	-
11.0	1.8	1284	7.88	20.00	157.50	2308	1358	HW030+NMRV-P063	TS63D4	-	-
11.0	1.8	1284	7.88	20.00	157.50	2308	1358	HW030+NMRV-P063	TS71A4	-	-
11.0	3.6	1215	5.45	30.00	163.64	4348	1624	-	-	HW030+NMRV-P075	56C
7.0	2.3	1866	5.45	30.00	163.64	4348	1659	-	-	HW030+NMRV-P075	56C
7.0	2.2	1866	5.45	30.00	163.64	4069	1659	HW030+NMRV-P075	TS71B6	-	-
11.0	2.8	1245	5.45	30.00	163.64	3528	1624	HW030+NMRV-P075	TS63D4	-	-
11.0	2.8	1245	5.45	30.00	163.64	3528	1624	HW030+NMRV-P075	TS71A4	-	-
11.0	2.3	1158	5.45	30.00	163.64	2715	1376	-	-	HW030+NMRV-P063	56C
7.0	1.5	1778	5.45	30.00	163.64	2715	1410	-	-	HW030+NMRV-P063	56C
7.0	1.4	1778	5.45	30.00	163.64	2519	1410	HW030+NMRV-P063	TS71B6	-	-
11.0	1.8	1187	5.45	30.00	163.64	2184	1376	HW030+NMRV-P063	TS63D4	-	-
11.0	1.8	1187	5.45	30.00	163.64	2184	1376	HW030+NMRV-P063	TS71A4	-	-
11.0	1.0	1168	5.45	30.00	163.64	1169	1053	HA31+NMRV050	TS63D4	-	-
11.0	1.0	1168	5.45	30.00	163.64	1169	1053	HA31+NMRV050	TS71A4	-	-
11.0	5.8	1283	5.50	30.00	165.00	7434	1802	-	-	HW040+NMRV-P090	56C
7.0	3.8	1970	5.50	30.00	165.00	7434	1839	-	-	HW040+NMRV-P090	56C
7.0	3.5	1970	5.50	30.00	165.00	6871	1839	HW040+NMRV-P090	TS71B6	-	-
11.0	4.5	1312	5.50	30.00	165.00	5957	1802	HW040+NMRV-P090	TS63D4	-	-
11.0	4.5	1312	5.50	30.00	165.00	5957	1802	HW040+NMRV-P090	TS71A4	-	-
7.0	5.5	1972	4.20	40.00	168.00	10790	2320	-	-	HW040+NMRV-P110	56C
7.0	5.4	1972	4.20	40.00	168.00	10558	2320	HW040+NMRV-P110	TS71B6	-	-
10.0	6.8	1331	4.20	40.00	168.00	8990	2291	HW040+NMRV-P110	TS71A4	-	-
10.0	2.8	1099	2.94	60.00	176.67	3065	1659	-	-	HW030+NMRV-P075	56C
6.0	1.8	1687	2.94	60.00	176.67	3065	1659	-	-	HW030+NMRV-P075	56C
6.0	1.7	1687	2.94	60.00	176.67	2900	1659	HW030+NMRV-P075	TS71B6	-	-
10.0	2.1	1169	2.94	60.00	176.67	2492	1659	HW030+NMRV-P075	TS63D4	-	-

0.33 HP

Output speed [rpm]	Service factor sf	Output torque [in-lbs]	Ratio Stage 1	Ratio Stage 2	Exact ratio i	Max. torque [in-lbs]	OHL Output shaft [lbs]	Gearmotor		Gear Reducer	
								Reducer	Motor	Reducer	NEMA C-input
10.0	2.1	1169	2.94	60.00	176.67	2492	1659	HW030+NMRV-P075	TS71A4	-	-
10.0	1.7	1037	2.94	60.00	176.67	1802	1410	-	-	HW030+NMRV-P063	56C
6.0	1.1	1592	2.94	60.00	176.67	1802	1410	-	-	HW030+NMRV-P063	56C
6.0	1.1	1592	2.94	60.00	176.67	1716	1410	HW030+NMRV-P063	TS71B6	-	-
10.0	1.3	1107	2.94	60.00	176.67	1490	1410	HW030+NMRV-P063	TS63D4	-	-
10.0	1.3	1107	2.94	60.00	176.67	1490	1410	HW030+NMRV-P063	TS71A4	-	-
9.0	6.2	1305	3.11	60.00	186.32	8114	2320	-	-	HW040+NMRV-P110	56C
6.0	4.1	2003	3.11	60.00	186.32	8114	2320	-	-	HW040+NMRV-P110	56C
6.0	3.8	2003	3.11	60.00	186.32	7684	2320	HW040+NMRV-P110	TS71B6	-	-
9.0	4.8	1375	3.11	60.00	186.32	6543	2320	HW040+NMRV-P110	TS71A4	-	-
9.0	3.7	1218	3.11	60.00	186.32	4523	1839	-	-	HW040+NMRV-P090	56C
6.0	2.4	1869	3.11	60.00	186.32	4523	1839	-	-	HW040+NMRV-P090	56C
6.0	2.3	1869	3.11	60.00	186.32	4301	1839	HW040+NMRV-P090	TS71B6	-	-
9.0	2.9	1288	3.11	60.00	186.32	3700	1839	HW040+NMRV-P090	TS63D4	-	-
9.0	2.9	1288	3.11	60.00	186.32	3700	1839	HW040+NMRV-P090	TS71A4	-	-
6.0	1.5	2392	7.88	25.00	196.88	3608	1659	HW030+NMRV-P075	TS71B6	-	-
9.0	2.3	1558	7.88	25.00	196.88	3581	1659	-	-	HW030+NMRV-P075	56C
6.0	1.5	2392	7.88	25.00	196.88	3581	1659	-	-	HW030+NMRV-P075	56C
9.0	2.2	1583	7.88	25.00	196.88	3508	1659	HW030+NMRV-P075	TS63D4	-	-
9.0	2.2	1583	7.88	25.00	196.88	3508	1659	HW030+NMRV-P075	TS71A4	-	-
9.0	1.5	1512	7.88	25.00	196.88	2293	1410	-	-	HW030+NMRV-P063	56C
9.0	1.4	1536	7.88	25.00	196.88	2098	1410	HW030+NMRV-P063	TS63D4	-	-
9.0	1.4	1536	7.88	25.00	196.88	2098	1410	HW030+NMRV-P063	TS71A4	-	-
8.0	2.7	1493	5.45	40.00	218.18	3969	1659	-	-	HW030+NMRV-P075	56C
5.0	1.7	2292	5.45	40.00	218.18	3969	1659	-	-	HW030+NMRV-P075	56C
5.0	1.7	2292	5.45	40.00	218.18	3835	1659	HW030+NMRV-P075	TS71B6	-	-
8.0	2.3	1532	5.45	40.00	218.18	3457	1659	HW030+NMRV-P075	TS63D4	-	-
8.0	2.3	1532	5.45	40.00	218.18	3457	1659	HW030+NMRV-P075	TS71A4	-	-
8.0	1.7	1413	5.45	40.00	218.18	2394	1410	-	-	HW030+NMRV-P063	56C
5.0	1.1	2169	5.45	40.00	218.18	2394	1410	-	-	HW030+NMRV-P063	56C
5.0	1.1	2169	5.45	40.00	218.18	2321	1410	HW030+NMRV-P063	TS71B6	-	-
8.0	1.4	1460	5.45	40.00	218.18	2115	1410	HW030+NMRV-P063	TS71A4	-	-
8.0	1.4	1460	5.45	40.00	218.18	2115	1410	HW030+NMRV-P063	TS63D4	-	-
8.0	6.8	1656	5.50	40.00	220.00	11262	2320	-	-	HW040+NMRV-P110	56C
5.0	4.4	2542	5.50	40.00	220.00	11262	2320	-	-	HW040+NMRV-P110	56C
5.0	4.4	2542	5.50	40.00	220.00	11144	2320	HW040+NMRV-P110	TS71B6	-	-
8.0	5.8	1703	5.50	40.00	220.00	9867	2320	HW040+NMRV-P110	TS63D4	-	-
8.0	5.8	1703	5.50	40.00	220.00	9867	2320	HW040+NMRV-P110	TS71A4	-	-
8.0	4.3	1582	5.50	40.00	220.00	6779	1839	-	-	HW040+NMRV-P090	56C
5.0	2.8	2429	5.50	40.00	220.00	6779	1839	-	-	HW040+NMRV-P090	56C
5.0	2.6	2429	5.50	40.00	220.00	6265	1839	HW040+NMRV-P090	TS71B6	-	-

0.33 HP

Output speed [rpm]	Service factor sf	Output torque [in-lbs]	Ratio Stage 1	Ratio Stage 2	Exact ratio i	Max. torque [in-lbs]	OHL Output shaft [lbs]	Gearmotor		Gear Reducer	
								Reducer	Motor	Reducer	NEMA C-input
8.0	3.4	1621	5.50	40.00	220.00	5432	1839	HW040+NMRV-P090	TS63D4	-	-
8.0	3.4	1621	5.50	40.00	220.00	5432	1839	HW040+NMRV-P090	TS71A4	-	-
4.8	1.5	2658	7.88	30.00	236.25	4012	1659	HW030+NMRV-P075	TS71B6	-	-
7.0	2.3	1761	7.88	30.00	236.25	3987	1659	HW030+NMRV-P075	TS63D4	-	-
7.0	2.3	1761	7.88	30.00	236.25	3987	1659	HW030+NMRV-P075	TS71A4	-	-
7.0	2.3	1731	7.88	30.00	236.25	3979	1659	-	-	HW030+NMRV-P075	56C
4.8	1.5	2658	7.88	30.00	236.25	3979	1659	-	-	HW030+NMRV-P075	56C
7.0	1.9	1648	7.88	30.00	236.25	3068	1410	-	-	HW030+NMRV-P063	56C
4.8	1.2	2530	7.88	30.00	236.25	3068	1410	-	-	HW030+NMRV-P063	56C
4.8	1.1	2530	7.88	30.00	236.25	2846	1410	HW030+NMRV-P063	TS71B6	-	-
7.0	1.5	1678	7.88	30.00	236.25	2468	1410	HW030+NMRV-P063	TS63D4	-	-
7.0	1.5	1678	7.88	30.00	236.25	2468	1410	HW030+NMRV-P063	TS71A4	-	-
4.5	3.3	2641	4.20	60.00	252.00	8701	2320	HW040+NMRV-P110	TS71B6	-	-
7.0	5.0	1720	4.20	60.00	252.00	8574	2320	-	-	HW040+NMRV-P110	56C
4.5	3.2	2641	4.20	60.00	252.00	8574	2320	-	-	HW040+NMRV-P110	56C
7.0	4.1	1791	4.20	60.00	252.00	7396	2320	HW040+NMRV-P110	TS71A4	-	-
7.0	3.0	1602	4.20	60.00	252.00	4759	1839	-	-	HW040+NMRV-P090	56C
4.5	1.9	2460	4.20	60.00	252.00	4759	1839	-	-	HW040+NMRV-P090	56C
4.5	1.9	2460	4.20	60.00	252.00	4593	1839	HW040+NMRV-P090	TS71B6	-	-
7.0	2.5	1673	4.20	60.00	252.00	4149	1839	HW040+NMRV-P090	TS63D4	-	-
7.0	2.5	1673	4.20	60.00	252.00	4149	1839	HW040+NMRV-P090	TS71A4	-	-
6.0	2.1	1703	5.45	50.00	272.73	3555	1659	-	-	HW030+NMRV-P075	56C
4.2	1.4	2614	5.45	50.00	272.73	3555	1659	-	-	HW030+NMRV-P075	56C
4.2	1.3	2614	5.45	50.00	272.73	3446	1659	HW030+NMRV-P075	TS71B6	-	-
6.0	1.8	1761	5.45	50.00	272.73	3190	1659	HW030+NMRV-P075	TS63D4	-	-
6.0	1.8	1761	5.45	50.00	272.73	3190	1659	HW030+NMRV-P075	TS71A4	-	-
6.0	1.3	1642	5.45	50.00	272.73	2168	1410	-	-	HW030+NMRV-P063	56C
6.0	1.2	1691	5.45	50.00	272.73	1959	1410	HW030+NMRV-P063	TS63D4	-	-
6.0	1.2	1691	5.45	50.00	272.73	1959	1410	HW030+NMRV-P063	TS71A4	-	-
4.1	3.4	3036	5.50	50.00	275.00	10356	2320	HW040+NMRV-P110	TS71B6	-	-
6.0	5.2	1977	5.50	50.00	275.00	10245	2320	-	-	HW040+NMRV-P110	56C
4.1	3.4	3036	5.50	50.00	275.00	10245	2320	-	-	HW040+NMRV-P110	56C
6.0	4.5	2026	5.50	50.00	275.00	9111	2320	HW040+NMRV-P110	TS63D4	-	-
6.0	4.5	2026	5.50	50.00	275.00	9111	2320	HW040+NMRV-P110	TS71A4	-	-
6.0	3.1	1845	5.50	50.00	275.00	5674	1839	-	-	HW040+NMRV-P090	56C
4.1	2.0	2832	5.50	50.00	275.00	5674	1839	-	-	HW040+NMRV-P090	56C
4.1	1.9	2832	5.50	50.00	275.00	5498	1839	HW040+NMRV-P090	TS71B6	-	-
6.0	2.7	1903	5.50	50.00	275.00	5075	1839	HW040+NMRV-P090	TS63D4	-	-
6.0	2.7	1903	5.50	50.00	275.00	5075	1839	HW040+NMRV-P090	TS71A4	-	-
6.0	4.7	2181	6.09	50.00	304.55	10245	2320	-	-	HW040+NMRV-P110	56C
3.7	3.1	3347	6.09	50.00	304.55	10245	2320	-	-	HW040+NMRV-P110	56C

0.33 HP

Output speed [rpm]	Service factor sf	Output torque [in-lbs]	Ratio Stage 1	Ratio Stage 2	Exact ratio i	Max. torque [in-lbs]	OHL Output shaft [lbs]	Gearmotor		Gear Reducer	
								Reducer	Motor	Reducer	NEMA C-input
3.7	3.0	3347	6.09	50.00	304.55	10199	2320	HW040+NMRV-P110	TS71B6	-	-
6.0	4.2	2229	6.09	50.00	304.55	9335	2320	HW040+NMRV-P110	TS63D4	-	-
6.0	4.2	2229	6.09	50.00	304.55	9335	2320	HW040+NMRV-P110	TS71A4	-	-
6.0	2.8	2032	6.09	50.00	304.55	5660	1839	-	-	HW040+NMRV-P090	56C
3.7	1.8	3119	6.09	50.00	304.55	5660	1839	-	-	HW040+NMRV-P090	56C
3.7	1.8	3119	6.09	50.00	304.55	5576	1839	HW040+NMRV-P090	TS71B6	-	-
6.0	2.5	2090	6.09	50.00	304.55	5192	1839	HW040+NMRV-P090	TS63D4	-	-
6.0	2.5	2090	6.09	50.00	304.55	5192	1839	HW040+NMRV-P090	TS71A4	-	-
6.0	1.9	2124	7.88	40.00	315.00	4126	1659	-	-	HW030+NMRV-P075	56C
3.6	1.3	3261	7.88	40.00	315.00	4126	1659	-	-	HW030+NMRV-P075	56C
3.6	1.2	3261	7.88	40.00	315.00	4007	1659	HW030+NMRV-P075	TS71B6	-	-
6.0	1.8	2163	7.88	40.00	315.00	3798	1659	HW030+NMRV-P075	TS63D4	-	-
6.0	1.8	2163	7.88	40.00	315.00	3798	1659	HW030+NMRV-P075	TS71A4	-	-
6.0	1.2	2003	7.88	40.00	315.00	2482	1410	-	-	HW030+NMRV-P063	56C
6.0	1.1	2050	7.88	40.00	315.00	2299	1410	HW030+NMRV-P063	TS63D4	-	-
6.0	1.1	2050	7.88	40.00	315.00	2299	1410	HW030+NMRV-P063	TS71A4	-	-
3.5	2.7	3398	5.50	60.00	330.00	9094	2320	HW040+NMRV-P110	TS71B6	-	-
5.0	4.0	2214	5.50	60.00	330.00	8876	2320	-	-	HW040+NMRV-P110	56C
3.5	2.6	3398	5.50	60.00	330.00	8876	2320	-	-	HW040+NMRV-P110	56C
5.0	3.5	2284	5.50	60.00	330.00	7968	2320	HW040+NMRV-P110	TS63D4	-	-
5.0	3.5	2284	5.50	60.00	330.00	7968	2320	HW040+NMRV-P110	TS71A4	-	-
5.0	2.4	2059	5.50	60.00	330.00	4928	1839	-	-	HW040+NMRV-P090	56C
3.5	1.6	3161	5.50	60.00	330.00	4928	1839	-	-	HW040+NMRV-P090	56C
3.5	1.5	3161	5.50	60.00	330.00	4789	1839	HW040+NMRV-P090	TS71B6	-	-
5.0	2.1	2129	5.50	60.00	330.00	4450	1839	HW040+NMRV-P090	TS63D4	-	-
5.0	2.1	2129	5.50	60.00	330.00	4450	1839	HW040+NMRV-P090	TS71A4	-	-
4.6	3.3	2722	7.67	50.00	383.33	8934	2320	-	-	HW040+NMRV-P110	56C
3.0	2.1	4178	7.67	50.00	383.33	8934	2320	-	-	HW040+NMRV-P110	56C
3.0	2.0	4178	7.67	50.00	383.33	8388	2320	HW040+NMRV-P110	TS71B6	-	-
4.6	3.0	2771	7.67	50.00	383.33	8294	2320	HW040+NMRV-P110	TS63D4	-	-
4.6	3.0	2771	7.67	50.00	383.33	8294	2320	HW040+NMRV-P110	TS71A4	-	-
4.6	2.3	2530	7.67	50.00	383.33	5862	1839	-	-	HW040+NMRV-P090	56C
3.0	1.5	3884	7.67	50.00	383.33	5862	1839	-	-	HW040+NMRV-P090	56C
3.0	1.5	3884	7.67	50.00	383.33	5728	1839	HW040+NMRV-P090	TS71B6	-	-
4.6	2.1	2589	7.67	50.00	383.33	5417	1839	HW040+NMRV-P090	TS63D4	-	-
4.6	2.1	2589	7.67	50.00	383.33	5417	1839	HW040+NMRV-P090	TS71A4	-	-
4.4	1.5	2411	7.88	50.00	393.75	3676	1659	-	-	HW030+NMRV-P075	56C
4.4	1.4	2470	7.88	50.00	393.75	3416	1659	HW030+NMRV-P075	TS63D4	-	-
4.4	1.4	2470	7.88	50.00	393.75	3416	1659	HW030+NMRV-P075	TS71A4	-	-
4.0	2.1	2873	8.75	50.00	437.50	5920	1839	-	-	HW040+NMRV-P090	56C
2.6	1.3	4410	8.75	50.00	437.50	5920	1839	-	-	HW040+NMRV-P090	56C

0.33 HP

Output speed [rpm]	Service factor sf	Output torque [in-lbs]	Ratio Stage 1	Ratio Stage 2	Exact ratio i	Max. torque [in-lbs]	OHL Output shaft [lbs]	Gearmotor		Gear Reducer	
								Reducer	Motor	Reducer	NEMA C-input
2.6	1.3	4410	8.75	50.00	437.50	5800	1839	HW040+NMRV-P090	TS71B6	-	-
4.0	1.9	2931	8.75	50.00	437.50	5525	1839	HW040+NMRV-P090	TS63D4	-	-
4.0	1.9	2931	8.75	50.00	437.50	5525	1839	HW040+NMRV-P090	TS71A4	-	-
2.6	1.8	4145	5.50	80.00	440.00	7610	2320	HW040+NMRV-P110	TS71B6	-	-
4.0	2.7	2700	5.50	80.00	440.00	7300	2320	-	-	HW040+NMRV-P110	56C
2.6	1.8	4145	5.50	80.00	440.00	7300	2320	-	-	HW040+NMRV-P110	56C
4.0	2.4	2778	5.50	80.00	440.00	6637	2320	HW040+NMRV-P110	TS63D4	-	-
4.0	2.4	2778	5.50	80.00	440.00	6637	2320	HW040+NMRV-P110	TS71A4	-	-
2.5	2.0	4660	7.67	60.00	460.00	9379	2320	HW040+NMRV-P110	TS71B6	-	-
3.8	3.0	3036	7.67	60.00	460.00	9162	2320	-	-	HW040+NMRV-P110	56C
2.5	2.0	4660	7.67	60.00	460.00	9162	2320	-	-	HW040+NMRV-P110	56C
3.8	2.7	3106	7.67	60.00	460.00	8491	2320	HW040+NMRV-P110	TS63D4	-	-
3.8	2.7	3106	7.67	60.00	460.00	8491	2320	HW040+NMRV-P110	TS71A4	-	-
3.8	1.8	2820	7.67	60.00	460.00	5080	1839	-	-	HW040+NMRV-P090	56C
2.5	1.2	4330	7.67	60.00	460.00	5080	1839	-	-	HW040+NMRV-P090	56C
2.5	1.1	4330	7.67	60.00	460.00	4973	1839	HW040+NMRV-P090	TS71B6	-	-
3.8	1.6	2891	7.67	60.00	460.00	4725	1839	HW040+NMRV-P090	TS63D4	-	-
3.8	1.6	2891	7.67	60.00	460.00	4725	1839	HW040+NMRV-P090	TS71A4	-	-
3.7	1.3	2728	7.88	60.00	472.50	3461	1659	-	-	HW030+NMRV-P075	56C
3.7	1.2	2798	7.88	60.00	472.50	3239	1659	HW030+NMRV-P075	TS63D4	-	-
3.7	1.2	2798	7.88	60.00	472.50	3239	1659	HW030+NMRV-P075	TS71A4	-	-
3.3	2.4	3447	8.75	60.00	525.00	8246	2320	-	-	HW040+NMRV-P110	56C
2.2	1.6	5292	8.75	60.00	525.00	8246	2320	-	-	HW040+NMRV-P110	56C
2.2	1.5	5292	8.75	60.00	525.00	8116	2320	HW040+NMRV-P110	TS71B6	-	-
3.3	2.3	3517	8.75	60.00	525.00	8008	2320	HW040+NMRV-P110	TS63D4	-	-
3.3	2.3	3517	8.75	60.00	525.00	8008	2320	HW040+NMRV-P110	TS71A4	-	-
3.3	1.6	3201	8.75	60.00	525.00	5127	1839	-	-	HW040+NMRV-P090	56C
2.2	1.0	4914	8.75	60.00	525.00	5127	1839	-	-	HW040+NMRV-P090	56C
2.2	1.0	4914	8.75	60.00	525.00	5031	1839	HW040+NMRV-P090	TS71B6	-	-
3.3	1.5	3271	8.75	60.00	525.00	4811	1839	HW040+NMRV-P090	TS63D4	-	-
3.3	1.5	3271	8.75	60.00	525.00	4811	1839	HW040+NMRV-P090	TS71A4	-	-
1.9	1.4	5693	7.67	80.00	613.33	7885	2320	HW040+NMRV-P110	TS71B6	-	-
2.9	2.0	3709	7.67	80.00	613.33	7509	2320	-	-	HW040+NMRV-P110	56C
1.9	1.3	5693	7.67	80.00	613.33	7509	2320	-	-	HW040+NMRV-P110	56C
2.9	1.9	3787	7.67	80.00	613.33	7022	2320	HW040+NMRV-P110	TS63D4	-	-
2.9	1.9	3787	7.67	80.00	613.33	7022	2320	HW040+NMRV-P110	TS71A4	-	-
2.9	1.2	3421	7.67	80.00	613.33	4084	1839	-	-	HW040+NMRV-P090	56C
2.9	1.1	3499	7.67	80.00	613.33	3771	1839	HW040+NMRV-P090	TS63D4	-	-
2.9	1.1	3499	7.67	80.00	613.33	3771	1839	HW040+NMRV-P090	TS71A4	-	-
1.6	1.2	6467	8.75	80.00	700.00	7971	2320	HW040+NMRV-P110	TS71B6	-	-
2.5	1.8	4213	8.75	80.00	700.00	7583	2320	-	-	HW040+NMRV-P110	56C



0.33 HP

Output speed [rpm]	Service factor sf	Output torque [in-lbs]	Ratio Stage 1	Ratio Stage 2	Exact ratio i	Max. torque [in-lbs]	OHL Output shaft [lbs]	Gearmotor		Gear Reducer	
								Reducer	Motor	Reducer	NEMA C-input
1.6	1.2	6467	8.75	80.00	700.00	7583	2320	-	-	HW040+NMRV-P110	56C
2.5	1.7	4291	8.75	80.00	700.00	7143	2320	HW040+NMRV-P110	TS71A4	-	-
2.5	1.7	4291	8.75	80.00	700.00	7143	2320	HW040+NMRV-P110	TS63D4	-	-
2.5	1.1	3885	8.75	80.00	700.00	4125	1839	-	-	HW040+NMRV-P090	56C
1.5	1.0	6389	7.67	100.00	766.67	6608	2320	HW040+NMRV-P110	TS71B6	-	-
2.3	1.4	4162	7.67	100.00	766.67	5872	2320	-	-	HW040+NMRV-P110	56C
2.3	1.3	4279	7.67	100.00	766.67	5645	2320	HW040+NMRV-P110	TS63D4	-	-
2.3	1.3	4279	7.67	100.00	766.67	5645	2320	HW040+NMRV-P110	TS71A4	-	-
2.0	1.3	4720	8.75	100.00	875.00	5928	2320	-	-	HW040+NMRV-P110	56C
2.0	1.2	4837	8.75	100.00	875.00	5681	2320	HW040+NMRV-P110	TS63D4	-	-
2.0	1.2	4837	8.75	100.00	875.00	5681	2320	HW040+NMRV-P110	TS71A4	-	-

0.5 HP

Output speed [rpm]	Service factor sf	Output torque [in-lbs]	Ratio Stage 1	Ratio Stage 2	Exact ratio i	Max. torque [in-lbs]	OHL Output shaft [lbs]	Gearmotor		Gear Reducer	
								Reducer	Motor	Reducer	NEMA C-input
52.0	3.8	494	2.94	7.50	22.08	1878	814	-	-	HW030+NMRV-P063	56C
52.0	3.6	494	2.94	7.50	22.08	1773	814	HW030+NMRV-P063	TS71C6	-	-
52.0	3.6	494	2.94	7.50	22.08	1773	814	HW030+NMRV-P063	TS80A6	-	-
52.0	1.8	482	2.94	7.50	22.08	877	623	HA31+NMRV050	TS71C6	-	-
52.0	1.8	482	2.94	7.50	22.08	877	623	HA31+NMRV050	TS80A6	-	-
79.0	2.6	321	2.94	7.50	22.08	820	540	HA31+NMRV050	TS71B4	-	-
52.0	1.2	476	2.94	7.50	22.08	549	454	HA31+NMRV040	TS71C6	-	-
52.0	1.2	476	2.94	7.50	22.08	549	454	HA31+NMRV040	TS80A6	-	-
79.0	1.5	317	2.94	7.50	22.08	475	393	HA31+NMRV040	TS71B4	-	-
48.0	1.2	525	4.75	5.00	23.75	647	638	HA31+NMRV050	TS71C6	-	-
48.0	1.2	525	4.75	5.00	23.75	647	638	HA31+NMRV050	TS80A6	-	-
74.0	1.7	346	4.75	5.00	23.75	603	553	HA31+NMRV050	TS71B4	-	-
48.0	1.1	525	4.75	5.00	23.75	583	465	HA31+NMRV040	TS71C6	-	-
48.0	1.1	525	4.75	5.00	23.75	583	465	HA31+NMRV040	TS80A6	-	-
74.0	1.5	346	4.75	5.00	23.75	522	403	HA31+NMRV040	TS71B4	-	-
45.0	1.2	563	5.10	5.00	25.50	675	653	HA31+NMRV050	TS71C6	-	-
69.0	1.7	370	5.10	5.00	25.50	628	566	HA31+NMRV050	TS71B4	-	-
45.0	1.0	563	5.10	5.00	25.50	591	476	HA31+NMRV040	TS71C6	-	-
69.0	1.4	370	5.10	5.00	25.50	534	413	HA31+NMRV040	TS71B4	-	-
39.0	3.9	642	3.87	7.50	29.00	2498	1052	HW030+NMRV-P075	TS71C6	-	-
39.0	3.9	642	3.87	7.50	29.00	2498	1052	HW030+NMRV-P075	TS80A6	-	-
39.0	3.9	642	3.87	7.50	29.00	2486	1052	-	-	HW030+NMRV-P075	56C
39.0	3.2	643	3.87	7.50	29.00	2056	891	-	-	HW030+NMRV-P063	56C
39.0	3.0	643	3.87	7.50	29.00	1941	891	HW030+NMRV-P063	TS71C6	-	-
39.0	3.0	643	3.87	7.50	29.00	1941	891	HW030+NMRV-P063	TS80A6	-	-
60.0	4.0	425	3.87	7.50	29.00	1682	773	HW030+NMRV-P063	TS71B4	-	-

0.5 HP

Output speed [rpm]	Service factor sf	Output torque [in-lbs]	Ratio Stage 1	Ratio Stage 2	Exact ratio i	Max. torque [in-lbs]	OHL Output shaft [lbs]	Gearmotor		Gear Reducer	
								Reducer	Motor	Reducer	NEMA C-input
39.0	1.7	627	2.94	10.00	29.44	1080	685	HA31+NMRV050	TS71C6	-	-
39.0	1.7	627	2.94	10.00	29.44	1080	685	HA31+NMRV050	TS80A6	-	-
59.0	2.3	417	2.94	10.00	29.44	956	594	HA31+NMRV050	TS71B4	-	-
59.0	1.2	412	2.94	10.00	29.44	499	433	HA31+NMRV040	TS71B4	-	-
56.0	1.4	454	6.30	5.00	31.50	623	608	HA31+NMRV050	TS71B4	-	-
56.0	1.2	454	6.30	5.00	31.50	565	443	HA31+NMRV040	TS71B4	-	-
32.0	1.2	768	4.75	7.50	35.63	948	730	HA31+NMRV050	TS71C6	-	-
32.0	1.2	768	4.75	7.50	35.63	948	730	HA31+NMRV050	TS80A6	-	-
49.0	1.7	506	4.75	7.50	35.63	883	633	HA31+NMRV050	TS71B4	-	-
49.0	1.1	500	4.75	7.50	35.63	558	461	HA31+NMRV040	TS71B4	-	-
29.0	3.5	827	3.87	10.00	38.67	2907	1158	-	-	HW030+NMRV-P075	56C
29.0	3.4	827	3.87	10.00	38.67	2848	1158	HW030+NMRV-P075	TS71C6	-	-
29.0	3.4	827	3.87	10.00	38.67	2848	1158	HW030+NMRV-P075	TS80A6	-	-
45.0	3.9	532	3.87	10.00	38.67	2064	851	-	-	HW030+NMRV-P063	56C
29.0	2.5	816	3.87	10.00	38.67	2064	981	-	-	HW030+NMRV-P063	56C
29.0	2.4	816	3.87	10.00	38.67	1951	981	HW030+NMRV-P063	TS71C6	-	-
29.0	2.4	816	3.87	10.00	38.67	1951	981	HW030+NMRV-P063	TS80A6	-	-
45.0	3.1	540	3.87	10.00	38.67	1692	851	HW030+NMRV-P063	TS71B4	-	-
28.0	1.1	882	5.45	7.50	40.91	987	765	HA31+NMRV050	TS71C6	-	-
43.0	1.6	578	5.45	7.50	40.91	918	663	HA31+NMRV050	TS71B4	-	-
43.0	1.0	571	5.45	7.50	40.91	580	483	HA31+NMRV040	TS71B4	-	-
26.0	3.4	910	2.94	15.00	44.17	3065	1211	HW030+NMRV-P075	TS71C6	-	-
26.0	3.4	910	2.94	15.00	44.17	3065	1211	HW030+NMRV-P075	TS80A6	-	-
40.0	3.9	593	2.94	15.00	44.17	2325	1049	-	-	HW030+NMRV-P075	56C
26.0	2.6	910	2.94	15.00	44.17	2325	1211	-	-	HW030+NMRV-P075	56C
40.0	3.6	577	2.94	15.00	44.17	2062	889	-	-	HW030+NMRV-P063	56C
26.0	2.3	886	2.94	15.00	44.17	2062	1026	-	-	HW030+NMRV-P063	56C
26.0	2.2	886	2.94	15.00	44.17	1928	1026	HW030+NMRV-P063	TS71C6	-	-
26.0	2.2	886	2.94	15.00	44.17	1928	1026	HW030+NMRV-P063	TS80A6	-	-
40.0	2.8	595	2.94	15.00	44.17	1672	889	HW030+NMRV-P063	TS71B4	-	-
26.0	1.2	875	2.94	15.00	44.17	1073	785	HA31+NMRV050	TS71C6	-	-
26.0	1.2	875	2.94	15.00	44.17	1073	785	HA31+NMRV050	TS80A6	-	-
40.0	1.6	587	2.94	15.00	44.17	956	680	HA31+NMRV050	TS71B4	-	-
24.0	3.1	1010	4.75	10.00	47.50	3113	1240	-	-	HW030+NMRV-P075	56C
24.0	3.0	1010	4.75	10.00	47.50	3051	1240	HW030+NMRV-P075	TS71C6	-	-
24.0	3.0	1010	4.75	10.00	47.50	3051	1240	HW030+NMRV-P075	TS80A6	-	-
37.0	4.0	667	4.75	10.00	47.50	2646	1075	HW030+NMRV-P075	TS71B4	-	-
37.0	3.4	650	4.75	10.00	47.50	2210	911	-	-	HW030+NMRV-P063	56C
24.0	2.2	997	4.75	10.00	47.50	2210	1051	-	-	HW030+NMRV-P063	56C
24.0	2.1	997	4.75	10.00	47.50	2091	1051	HW030+NMRV-P063	TS71C6	-	-
24.0	2.1	997	4.75	10.00	47.50	2091	1051	HW030+NMRV-P063	TS80A6	-	-

0.5 HP

Output speed [rpm]	Service factor sf	Output torque [in-lbs]	Ratio Stage 1	Ratio Stage 2	Exact ratio i	Max. torque [in-lbs]	OHL Output shaft [lbs]	Gearmotor		Gear Reducer	
								Reducer	Motor	Reducer	NEMA C-input
37.0	2.8	658	4.75	10.00	47.50	1813	911	HW030+NMRV-P063	TS71B4	-	-
24.0	1.2	999	4.75	10.00	47.50	1184	804	HA31+NMRV050	TS71C6	-	-
24.0	1.2	999	4.75	10.00	47.50	1184	804	HA31+NMRV050	TS80A6	-	-
37.0	1.7	658	4.75	10.00	47.50	1093	697	HA31+NMRV050	TS71B4	-	-
21.0	1.1	1147	5.45	10.00	54.55	1206	842	HA31+NMRV050	TS71C6	-	-
32.0	1.5	752	5.45	10.00	54.55	1127	730	HA31+NMRV050	TS71B4	-	-
20.0	2.8	1180	3.87	15.00	58.00	3355	1326	HW030+NMRV-P075	TS71C6	-	-
20.0	2.8	1180	3.87	15.00	58.00	3355	1326	HW030+NMRV-P075	TS80A6	-	-
30.0	3.7	786	3.87	15.00	58.00	2909	1149	HW030+NMRV-P075	TS71B4	-	-
30.0	3.3	769	3.87	15.00	58.00	2546	1149	-	-	HW030+NMRV-P075	56C
20.0	2.2	1180	3.87	15.00	58.00	2546	1326	-	-	HW030+NMRV-P075	56C
30.0	3.0	748	3.87	15.00	58.00	2258	974	-	-	HW030+NMRV-P063	56C
20.0	2.0	1149	3.87	15.00	58.00	2258	1123	-	-	HW030+NMRV-P063	56C
20.0	1.8	1149	3.87	15.00	58.00	2110	1123	HW030+NMRV-P063	TS71C6	-	-
20.0	1.8	1149	3.87	15.00	58.00	2110	1123	HW030+NMRV-P063	TS80A6	-	-
30.0	2.4	766	3.87	15.00	58.00	1829	974	HW030+NMRV-P063	TS71B4	-	-
30.0	1.1	751	2.94	20.00	58.89	850	749	HA31+NMRV050	TS71B4	-	-
28.0	1.3	865	6.30	10.00	63.00	1157	766	HA31+NMRV050	TS71B4	-	-
16.0	2.5	1438	4.75	15.00	71.25	3595	1420	HW030+NMRV-P075	TS71C6	-	-
16.0	2.5	1438	4.75	15.00	71.25	3595	1420	HW030+NMRV-P075	TS80A6	-	-
25.0	3.3	954	4.75	15.00	71.25	3117	1231	HW030+NMRV-P075	TS71B4	-	-
25.0	2.9	937	4.75	15.00	71.25	2726	1231	-	-	HW030+NMRV-P075	56C
16.0	1.9	1438	4.75	15.00	71.25	2726	1420	-	-	HW030+NMRV-P075	56C
25.0	2.7	912	4.75	15.00	71.25	2418	1043	-	-	HW030+NMRV-P063	56C
16.0	1.7	1400	4.75	15.00	71.25	2418	1203	-	-	HW030+NMRV-P063	56C
16.0	1.6	1400	4.75	15.00	71.25	2261	1203	HW030+NMRV-P063	TS71C6	-	-
16.0	1.6	1400	4.75	15.00	71.25	2261	1203	HW030+NMRV-P063	TS80A6	-	-
25.0	2.1	930	4.75	15.00	71.25	1960	1043	HW030+NMRV-P063	TS71B4	-	-
25.0	1.2	917	4.75	15.00	71.25	1086	798	HA31+NMRV050	TS71B4	-	-
23.0	4.0	973	3.87	20.00	77.33	3858	1265	-	-	HW030+NMRV-P075	56C
15.0	2.6	1493	3.87	20.00	77.33	3858	1459	-	-	HW030+NMRV-P075	56C
15.0	2.4	1493	3.87	20.00	77.33	3623	1459	HW030+NMRV-P075	TS71C6	-	-
15.0	2.4	1493	3.87	20.00	77.33	3623	1459	HW030+NMRV-P075	TS80A6	-	-
23.0	3.1	1001	3.87	20.00	77.33	3057	1265	HW030+NMRV-P075	TS71B4	-	-
23.0	2.4	946	3.87	20.00	77.33	2269	1072	-	-	HW030+NMRV-P063	56C
15.0	1.6	1452	3.87	20.00	77.33	2269	1236	-	-	HW030+NMRV-P063	56C
15.0	1.5	1452	3.87	20.00	77.33	2153	1236	HW030+NMRV-P063	TS71C6	-	-
15.0	1.5	1452	3.87	20.00	77.33	2153	1236	HW030+NMRV-P063	TS80A6	-	-
23.0	1.9	975	3.87	20.00	77.33	1816	1072	HW030+NMRV-P063	TS71B4	-	-
15.0	3.6	1512	3.11	25.00	77.63	5400	1617	-	-	HW040+NMRV-P090	56C
15.0	3.3	1512	3.11	25.00	77.63	4992	1617	HW040+NMRV-P090	TS71C6	-	-

0.5 HP

Output speed [rpm]	Service factor sf	Output torque [in-lbs]	Ratio Stage 1	Ratio Stage 2	Exact ratio i	Max. torque [in-lbs]	OHL Output shaft [lbs]	Gearmotor		Gear Reducer	
								Reducer	Motor	Reducer	NEMA C-input
15.0	3.3	1512	3.11	25.00	77.63	4992	1617	HW040+NMRV-P090	TS80A6	-	-
23.0	3.9	1014	3.11	25.00	77.63	3927	1401	HW040+NMRV-P090	TS71B4	-	-
22.0	1.0	1078	7.88	10.00	78.75	1128	825	HA31+NMRV050	TS71B4	-	-
14.0	2.2	1645	5.45	15.00	81.82	3658	1487	HW030+NMRV-P075	TS71C6	-	-
14.0	2.2	1645	5.45	15.00	81.82	3658	1487	HW030+NMRV-P075	TS80A6	-	-
21.0	3.0	1089	5.45	15.00	81.82	3264	1289	HW030+NMRV-P075	TS71B4	-	-
21.0	2.7	1071	5.45	15.00	81.82	2855	1289	-	-	HW030+NMRV-P075	56C
14.0	1.7	1645	5.45	15.00	81.82	2855	1487	-	-	HW030+NMRV-P075	56C
21.0	2.4	1043	5.45	15.00	81.82	2532	1092	-	-	HW030+NMRV-P063	56C
14.0	1.6	1601	5.45	15.00	81.82	2532	1260	-	-	HW030+NMRV-P063	56C
14.0	1.5	1601	5.45	15.00	81.82	2367	1260	HW030+NMRV-P063	TS71C6	-	-
14.0	1.5	1601	5.45	15.00	81.82	2367	1260	HW030+NMRV-P063	TS80A6	-	-
21.0	1.9	1060	5.45	15.00	81.82	2053	1092	HW030+NMRV-P063	TS71B4	-	-
14.0	3.6	1681	4.20	20.00	84.00	6068	1660	-	-	HW040+NMRV-P090	56C
14.0	3.3	1681	4.20	20.00	84.00	5608	1660	HW040+NMRV-P090	TS71C6	-	-
14.0	3.3	1681	4.20	20.00	84.00	5608	1660	HW040+NMRV-P090	TS80A6	-	-
20.0	3.5	1007	2.94	30.00	88.33	3541	1322	-	-	HW030+NMRV-P075	56C
13.0	2.3	1546	2.94	30.00	88.33	3541	1525	-	-	HW030+NMRV-P075	56C
13.0	2.1	1546	2.94	30.00	88.33	3313	1525	HW030+NMRV-P075	TS71C6	-	-
13.0	2.1	1546	2.94	30.00	88.33	3313	1525	HW030+NMRV-P075	TS80A6	-	-
20.0	2.7	1050	2.94	30.00	88.33	2873	1322	HW030+NMRV-P075	TS71B4	-	-
20.0	2.3	961	2.94	30.00	88.33	2211	1120	-	-	HW030+NMRV-P063	56C
13.0	1.5	1475	2.94	30.00	88.33	2211	1292	-	-	HW030+NMRV-P063	56C
13.0	1.4	1475	2.94	30.00	88.33	2051	1292	HW030+NMRV-P063	TS71C6	-	-
13.0	1.4	1475	2.94	30.00	88.33	2051	1292	HW030+NMRV-P063	TS80A6	-	-
20.0	1.8	1004	2.94	30.00	88.33	1778	1120	HW030+NMRV-P063	TS71B4	-	-
12.0	3.6	1698	3.11	30.00	93.16	6145	1718	-	-	HW040+NMRV-P090	56C
12.0	3.3	1698	3.11	30.00	93.16	5680	1718	HW040+NMRV-P090	TS71C6	-	-
12.0	3.3	1698	3.11	30.00	93.16	5680	1718	HW040+NMRV-P090	TS80A6	-	-
18.0	3.4	1183	4.75	20.00	95.00	4065	1355	-	-	HW030+NMRV-P075	56C
12.0	2.2	1816	4.75	20.00	95.00	4065	1563	-	-	HW030+NMRV-P075	56C
12.0	2.1	1816	4.75	20.00	95.00	3857	1563	HW030+NMRV-P075	TS71C6	-	-
12.0	2.1	1816	4.75	20.00	95.00	3857	1563	HW030+NMRV-P075	TS80A6	-	-
18.0	2.8	1212	4.75	20.00	95.00	3366	1355	HW030+NMRV-P075	TS71B4	-	-
18.0	2.1	1150	4.75	20.00	95.00	2383	1148	-	-	HW030+NMRV-P063	56C
12.0	1.3	1765	4.75	20.00	95.00	2383	1324	-	-	HW030+NMRV-P063	56C
12.0	1.3	1765	4.75	20.00	95.00	2271	1324	HW030+NMRV-P063	TS71C6	-	-
12.0	1.3	1765	4.75	20.00	95.00	2271	1324	HW030+NMRV-P063	TS80A6	-	-
18.0	1.7	1179	4.75	20.00	95.00	1997	1148	HW030+NMRV-P063	TS71B4	-	-
16.0	3.1	1351	5.45	20.00	109.09	4177	1419	-	-	HW030+NMRV-P075	56C
10.0	2.0	2073	5.45	20.00	109.09	4177	1636	-	-	HW030+NMRV-P075	56C

0.5 HP

Output speed [rpm]	Service factor sf	Output torque [in-lbs]	Ratio Stage 1	Ratio Stage 2	Exact ratio i	Max. torque [in-lbs]	OHL Output shaft [lbs]	Gearmotor		Gear Reducer	
								Reducer	Motor	Reducer	NEMA C-input
10.0	1.9	2073	5.45	20.00	109.09	3973	1636	HW030+NMRV-P075	TS71C6	-	-
10.0	1.9	2073	5.45	20.00	109.09	3973	1636	HW030+NMRV-P075	TS80A6	-	-
16.0	2.6	1379	5.45	20.00	109.09	3525	1419	HW030+NMRV-P075	TS71B4	-	-
16.0	1.9	1313	5.45	20.00	109.09	2443	1202	-	-	HW030+NMRV-P063	56C
10.0	1.2	2015	5.45	20.00	109.09	2443	1386	-	-	HW030+NMRV-P063	56C
10.0	1.2	2015	5.45	20.00	109.09	2337	1386	HW030+NMRV-P063	TS71C6	-	-
10.0	1.2	2015	5.45	20.00	109.09	2337	1386	HW030+NMRV-P063	TS80A6	-	-
16.0	1.6	1342	5.45	20.00	109.09	2099	1202	HW030+NMRV-P063	TS71B4	-	-
10.0	3.0	2181	5.50	20.00	110.00	6638	1816	-	-	HW040+NMRV-P090	56C
10.0	2.8	2181	5.50	20.00	110.00	6135	1816	HW040+NMRV-P090	TS71C6	-	-
10.0	2.8	2181	5.50	20.00	110.00	6135	1816	HW040+NMRV-P090	TS80A6	-	-
16.0	3.7	1444	5.50	20.00	110.00	5319	1574	HW040+NMRV-P090	TS71B4	-	-
15.0	3.0	1298	3.87	30.00	116.00	3877	1448	-	-	HW030+NMRV-P075	56C
10.0	1.9	1992	3.87	30.00	116.00	3877	1659	-	-	HW030+NMRV-P075	56C
10.0	1.8	1992	3.87	30.00	116.00	3626	1659	HW030+NMRV-P075	TS71C6	-	-
10.0	1.8	1992	3.87	30.00	116.00	3626	1659	HW030+NMRV-P075	TS80A6	-	-
15.0	2.3	1341	3.87	30.00	116.00	3144	1448	HW030+NMRV-P075	TS71B4	-	-
10.0	1.0	2290	7.88	15.00	118.13	2330	1410	HW030+NMRV-P063	TS71C6	-	-
10.0	1.0	2290	7.88	15.00	118.13	2330	1410	HW030+NMRV-P063	TS80A6	-	-
15.0	1.5	1509	7.88	15.00	118.13	2320	1234	HW030+NMRV-P063	TS71B4	-	-
15.0	1.6	1492	7.88	15.00	118.13	2317	1234	-	-	HW030+NMRV-P063	56C
10.0	1.0	2290	7.88	15.00	118.13	2317	1410	-	-	HW030+NMRV-P063	56C
9.0	3.0	2254	4.20	30.00	126.00	6795	1839	-	-	HW040+NMRV-P090	56C
9.0	2.8	2254	4.20	30.00	126.00	6281	1839	HW040+NMRV-P090	TS71C6	-	-
9.0	2.8	2254	4.20	30.00	126.00	6281	1839	HW040+NMRV-P090	TS80A6	-	-
14.0	3.6	1512	4.20	30.00	126.00	5445	1647	HW040+NMRV-P090	TS71B4	-	-
13.0	2.3	1617	5.45	25.00	136.36	3707	1528	-	-	HW030+NMRV-P075	56C
8.0	1.5	2483	5.45	25.00	136.36	3707	1659	-	-	HW030+NMRV-P075	56C
8.0	1.4	2483	5.45	25.00	136.36	3551	1659	HW030+NMRV-P075	TS71C6	-	-
8.0	1.4	2483	5.45	25.00	136.36	3551	1659	HW030+NMRV-P075	TS80A6	-	-
13.0	1.9	1653	5.45	25.00	136.36	3183	1528	HW030+NMRV-P075	TS71B4	-	-
13.0	1.4	1570	5.45	25.00	136.36	2214	1295	-	-	HW030+NMRV-P063	56C
13.0	1.2	1606	5.45	25.00	136.36	1913	1295	HW030+NMRV-P063	TS71B4	-	-
8.0	3.1	2726	5.50	25.00	137.50	8574	2320	-	-	HW040+NMRV-P110	56C
8.0	3.1	2726	5.50	25.00	137.50	8475	2320	HW040+NMRV-P110	TS71C6	-	-
8.0	3.1	2726	5.50	25.00	137.50	8475	2320	HW040+NMRV-P110	TS80A6	-	-
13.0	3.6	1705	5.50	25.00	137.50	6191	1696	-	-	HW040+NMRV-P090	56C
8.0	2.4	2617	5.50	25.00	137.50	6191	1839	-	-	HW040+NMRV-P090	56C
8.0	2.3	2617	5.50	25.00	137.50	5925	1839	HW040+NMRV-P090	TS71C6	-	-
8.0	2.3	2617	5.50	25.00	137.50	5925	1839	HW040+NMRV-P090	TS80A6	-	-
13.0	3.0	1733	5.50	25.00	137.50	5235	1696	HW040+NMRV-P090	TS71B4	-	-

0.5 HP

Output speed [rpm]	Service factor sf	Output torque [in-lbs]	Ratio Stage 1	Ratio Stage 2	Exact ratio i	Max. torque [in-lbs]	OHL Output shaft [lbs]	Gearmotor		Gear Reducer	
								Reducer	Motor	Reducer	NEMA C-input
12.0	2.6	1577	4.75	30.00	142.50	4152	1551	-	-	HW030+NMRV-P075	56C
8.0	1.7	2420	4.75	30.00	142.50	4152	1659	-	-	HW030+NMRV-P075	56C
8.0	1.6	2420	4.75	30.00	142.50	3886	1659	HW030+NMRV-P075	TS71C6	-	-
8.0	1.6	2420	4.75	30.00	142.50	3886	1659	HW030+NMRV-P075	TS80A6	-	-
12.0	2.1	1620	4.75	30.00	142.50	3369	1551	HW030+NMRV-P075	TS71B4	-	-
12.0	1.7	1502	4.75	30.00	142.50	2593	1314	-	-	HW030+NMRV-P063	56C
8.0	1.1	2306	4.75	30.00	142.50	2593	1410	-	-	HW030+NMRV-P063	56C
8.0	1.0	2306	4.75	30.00	142.50	2405	1410	HW030+NMRV-P063	TS71C6	-	-
8.0	1.0	2306	4.75	30.00	142.50	2405	1410	HW030+NMRV-P063	TS80A6	-	-
12.0	1.3	1546	4.75	30.00	142.50	2085	1314	HW030+NMRV-P063	TS71B4	-	-
11.0	2.4	1596	3.87	40.00	154.67	3763	1594	-	-	HW030+NMRV-P075	56C
7.0	1.5	2451	3.87	40.00	154.67	3763	1659	-	-	HW030+NMRV-P075	56C
7.0	1.5	2451	3.87	40.00	154.67	3554	1659	HW030+NMRV-P075	TS71C6	-	-
7.0	1.5	2451	3.87	40.00	154.67	3554	1659	HW030+NMRV-P075	TS80A6	-	-
11.0	1.9	1654	3.87	40.00	154.67	3081	1594	HW030+NMRV-P075	TS71B4	-	-
7.0	3.5	2623	3.11	50.00	155.26	9289	2320	-	-	HW040+NMRV-P110	56C
7.0	3.3	2623	3.11	50.00	155.26	8755	2320	HW040+NMRV-P110	TS71C6	-	-
7.0	3.3	2623	3.11	50.00	155.26	8755	2320	HW040+NMRV-P110	TS80A6	-	-
11.0	3.2	1609	3.11	50.00	155.26	5173	1766	-	-	HW040+NMRV-P090	56C
7.0	2.1	2471	3.11	50.00	155.26	5173	1839	-	-	HW040+NMRV-P090	56C
7.0	2.0	2471	3.11	50.00	155.26	4874	1839	HW040+NMRV-P090	TS71C6	-	-
7.0	2.0	2471	3.11	50.00	155.26	4874	1839	HW040+NMRV-P090	TS80A6	-	-
11.0	2.4	1696	3.11	50.00	155.26	4139	1766	HW040+NMRV-P090	TS71B4	-	-
11.0	1.4	1872	7.88	20.00	157.50	2579	1358	-	-	HW030+NMRV-P063	56C
11.0	1.2	1901	7.88	20.00	157.50	2308	1358	HW030+NMRV-P063	TS71B4	-	-
11.0	2.4	1799	5.45	30.00	163.64	4348	1624	-	-	HW030+NMRV-P075	56C
7.0	1.6	2761	5.45	30.00	163.64	4348	1659	-	-	HW030+NMRV-P075	56C
7.0	1.5	2761	5.45	30.00	163.64	4069	1659	HW030+NMRV-P075	TS71C6	-	-
7.0	1.5	2761	5.45	30.00	163.64	4069	1659	HW030+NMRV-P075	TS80A6	-	-
11.0	1.9	1842	5.45	30.00	163.64	3528	1624	HW030+NMRV-P075	TS71B4	-	-
11.0	1.6	1714	5.45	30.00	163.64	2715	1376	-	-	HW030+NMRV-P063	56C
7.0	1.0	2631	5.45	30.00	163.64	2715	1410	-	-	HW030+NMRV-P063	56C
11.0	1.2	1757	5.45	30.00	163.64	2184	1376	HW030+NMRV-P063	TS71B4	-	-
11.0	3.9	1899	5.50	30.00	165.00	7434	1802	-	-	HW040+NMRV-P090	56C
7.0	2.5	2915	5.50	30.00	165.00	7434	1839	-	-	HW040+NMRV-P090	56C
7.0	2.4	2915	5.50	30.00	165.00	6871	1839	HW040+NMRV-P090	TS71C6	-	-
7.0	2.4	2915	5.50	30.00	165.00	6871	1839	HW040+NMRV-P090	TS80A6	-	-
11.0	3.1	1942	5.50	30.00	165.00	5957	1802	HW040+NMRV-P090	TS71B4	-	-
7.0	3.7	2919	4.20	40.00	168.00	10790	2320	-	-	HW040+NMRV-P110	56C
7.0	3.6	2919	4.20	40.00	168.00	10558	2320	HW040+NMRV-P110	TS71C6	-	-
7.0	3.6	2919	4.20	40.00	168.00	10558	2320	HW040+NMRV-P110	TS80A6	-	-

0.5 HP

Output speed [rpm]	Service factor sf	Output torque [in-lbs]	Ratio Stage 1	Ratio Stage 2	Exact ratio i	Max. torque [in-lbs]	OHL Output shaft [lbs]	Gearmotor		Gear Reducer	
								Reducer	Motor	Reducer	NEMA C-input
10.0	1.9	1627	2.94	60.00	176.67	3065	1659	-	-	HW030+NMRV-P075	56C
6.0	1.2	2497	2.94	60.00	176.67	3065	1659	-	-	HW030+NMRV-P075	56C
6.0	1.2	2497	2.94	60.00	176.67	2900	1659	HW030+NMRV-P075	TS71C6	-	-
6.0	1.2	2497	2.94	60.00	176.67	2900	1659	HW030+NMRV-P075	TS80A6	-	-
10.0	1.4	1731	2.94	60.00	176.67	2492	1659	HW030+NMRV-P075	TS71B4	-	-
10.0	1.2	1535	2.94	60.00	176.67	1802	1410	-	-	HW030+NMRV-P063	56C
6.0	2.7	2965	3.11	60.00	186.32	8114	2320	-	-	HW040+NMRV-P110	56C
6.0	2.6	2965	3.11	60.00	186.32	7684	2320	HW040+NMRV-P110	TS71C6	-	-
6.0	2.6	2965	3.11	60.00	186.32	7684	2320	HW040+NMRV-P110	TS80A6	-	-
9.0	3.2	2035	3.11	60.00	186.32	6543	2320	HW040+NMRV-P110	TS71B4	-	-
9.0	2.5	1802	3.11	60.00	186.32	4523	1839	-	-	HW040+NMRV-P090	56C
6.0	1.6	2766	3.11	60.00	186.32	4523	1839	-	-	HW040+NMRV-P090	56C
6.0	1.6	2766	3.11	60.00	186.32	4301	1839	HW040+NMRV-P090	TS71C6	-	-
6.0	1.6	2766	3.11	60.00	186.32	4301	1839	HW040+NMRV-P090	TS80A6	-	-
9.0	1.9	1906	3.11	60.00	186.32	3700	1839	HW040+NMRV-P090	TS71B4	-	-
6.0	1.0	3540	7.88	25.00	196.88	3608	1659	HW030+NMRV-P075	TS71C6	-	-
6.0	1.0	3540	7.88	25.00	196.88	3608	1659	HW030+NMRV-P075	TS80A6	-	-
9.0	1.6	2306	7.88	25.00	196.88	3581	1659	-	-	HW030+NMRV-P075	56C
6.0	1.0	3540	7.88	25.00	196.88	3581	1659	-	-	HW030+NMRV-P075	56C
9.0	1.5	2342	7.88	25.00	196.88	3508	1659	HW030+NMRV-P075	TS71B4	-	-
9.0	1.0	2238	7.88	25.00	196.88	2293	1410	-	-	HW030+NMRV-P063	56C
8.0	1.8	2209	5.45	40.00	218.18	3969	1659	-	-	HW030+NMRV-P075	56C
5.0	1.2	3392	5.45	40.00	218.18	3969	1659	-	-	HW030+NMRV-P075	56C
5.0	1.1	3392	5.45	40.00	218.18	3835	1659	HW030+NMRV-P075	TS71C6	-	-
5.0	1.1	3392	5.45	40.00	218.18	3835	1659	HW030+NMRV-P075	TS80A6	-	-
8.0	1.5	2267	5.45	40.00	218.18	3457	1659	HW030+NMRV-P075	TS71B4	-	-
8.0	1.1	2092	5.45	40.00	218.18	2394	1410	-	-	HW030+NMRV-P063	56C
5.0	3.0	3763	5.50	40.00	220.00	11262	2320	-	-	HW040+NMRV-P110	56C
5.0	3.0	3763	5.50	40.00	220.00	11144	2320	HW040+NMRV-P110	TS71C6	-	-
5.0	3.0	3763	5.50	40.00	220.00	11144	2320	HW040+NMRV-P110	TS80A6	-	-
8.0	3.9	2520	5.50	40.00	220.00	9867	2320	HW040+NMRV-P110	TS71B4	-	-
8.0	2.9	2341	5.50	40.00	220.00	6779	1839	-	-	HW040+NMRV-P090	56C
5.0	1.9	3594	5.50	40.00	220.00	6779	1839	-	-	HW040+NMRV-P090	56C
5.0	1.7	3594	5.50	40.00	220.00	6265	1839	HW040+NMRV-P090	TS71C6	-	-
5.0	1.7	3594	5.50	40.00	220.00	6265	1839	HW040+NMRV-P090	TS80A6	-	-
8.0	2.3	2399	5.50	40.00	220.00	5432	1839	HW040+NMRV-P090	TS71B4	-	-
4.8	1.0	3934	7.88	30.00	236.25	4012	1659	HW030+NMRV-P075	TS71C6	-	-
4.8	1.0	3934	7.88	30.00	236.25	4012	1659	HW030+NMRV-P075	TS80A6	-	-
7.0	1.5	2606	7.88	30.00	236.25	3987	1659	HW030+NMRV-P075	TS71B4	-	-
7.0	1.6	2563	7.88	30.00	236.25	3979	1659	-	-	HW030+NMRV-P075	56C
4.8	1.0	3934	7.88	30.00	236.25	3979	1659	-	-	HW030+NMRV-P075	56C

0.5 HP

Output speed [rpm]	Service factor sf	Output torque [in-lbs]	Ratio Stage 1	Ratio Stage 2	Exact ratio i	Max. torque [in-lbs]	OHL Output shaft [lbs]	Gearmotor		Gear Reducer	
								Reducer	Motor	Reducer	NEMA C-input
7.0	1.3	2440	7.88	30.00	236.25	3068	1410	-	-	<b>HW030+NMRV-P063</b>	56C
4.5	2.2	3909	4.20	60.00	252.00	8701	2320	<b>HW040+NMRV-P110</b>	TS71C6	-	-
4.5	2.2	3909	4.20	60.00	252.00	8701	2320	<b>HW040+NMRV-P110</b>	TS80A6	-	-
7.0	3.4	2546	4.20	60.00	252.00	8574	2320	-	-	<b>HW040+NMRV-P110</b>	56C
4.5	2.2	3909	4.20	60.00	252.00	8574	2320	-	-	<b>HW040+NMRV-P110</b>	56C
7.0	2.8	2650	4.20	60.00	252.00	7396	2320	<b>HW040+NMRV-P110</b>	TS71B4	-	-
7.0	2.0	2371	4.20	60.00	252.00	4759	1839	-	-	<b>HW040+NMRV-P090</b>	56C
4.5	1.3	3640	4.20	60.00	252.00	4759	1839	-	-	<b>HW040+NMRV-P090</b>	56C
4.5	1.3	3640	4.20	60.00	252.00	4593	1839	<b>HW040+NMRV-P090</b>	TS71C6	-	-
4.5	1.3	3640	4.20	60.00	252.00	4593	1839	<b>HW040+NMRV-P090</b>	TS80A6	-	-
7.0	1.7	2475	4.20	60.00	252.00	4149	1839	<b>HW040+NMRV-P090</b>	TS71B4	-	-
6.0	1.4	2520	5.45	50.00	272.73	3555	1659	-	-	<b>HW030+NMRV-P075</b>	56C
6.0	1.2	2607	5.45	50.00	272.73	3190	1659	<b>HW030+NMRV-P075</b>	TS71B4	-	-
4.1	2.3	4493	5.50	50.00	275.00	10356	2320	<b>HW040+NMRV-P110</b>	TS71C6	-	-
4.1	2.3	4493	5.50	50.00	275.00	10356	2320	<b>HW040+NMRV-P110</b>	TS80A6	-	-
6.0	3.5	2927	5.50	50.00	275.00	10245	2320	-	-	<b>HW040+NMRV-P110</b>	56C
4.1	2.3	4493	5.50	50.00	275.00	10245	2320	-	-	<b>HW040+NMRV-P110</b>	56C
6.0	3.0	2999	5.50	50.00	275.00	9111	2320	<b>HW040+NMRV-P110</b>	TS71B4	-	-
6.0	2.1	2730	5.50	50.00	275.00	5674	1839	-	-	<b>HW040+NMRV-P090</b>	56C
4.1	1.4	4191	5.50	50.00	275.00	5674	1839	-	-	<b>HW040+NMRV-P090</b>	56C
4.1	1.3	4191	5.50	50.00	275.00	5498	1839	<b>HW040+NMRV-P090</b>	TS71C6	-	-
4.1	1.3	4191	5.50	50.00	275.00	5498	1839	<b>HW040+NMRV-P090</b>	TS80A6	-	-
6.0	1.8	2817	5.50	50.00	275.00	5075	1839	<b>HW040+NMRV-P090</b>	TS71B4	-	-
6.0	3.2	3227	6.09	50.00	304.55	10245	2320	-	-	<b>HW040+NMRV-P110</b>	56C
3.7	2.1	4954	6.09	50.00	304.55	10245	2320	-	-	<b>HW040+NMRV-P110</b>	56C
3.7	2.1	4954	6.09	50.00	304.55	10199	2320	<b>HW040+NMRV-P110</b>	TS71C6	-	-
3.7	2.1	4954	6.09	50.00	304.55	10199	2320	<b>HW040+NMRV-P110</b>	TS80A6	-	-
6.0	2.8	3299	6.09	50.00	304.55	9335	2320	<b>HW040+NMRV-P110</b>	TS71B4	-	-
6.0	1.9	3007	6.09	50.00	304.55	5660	1839	-	-	<b>HW040+NMRV-P090</b>	56C
3.7	1.2	4616	6.09	50.00	304.55	5660	1839	-	-	<b>HW040+NMRV-P090</b>	56C
3.7	1.2	4616	6.09	50.00	304.55	5576	1839	<b>HW040+NMRV-P090</b>	TS71C6	-	-
3.7	1.2	4616	6.09	50.00	304.55	5576	1839	<b>HW040+NMRV-P090</b>	TS80A6	-	-
6.0	1.7	3093	6.09	50.00	304.55	5192	1839	<b>HW040+NMRV-P090</b>	TS71B4	-	-
6.0	1.3	3144	7.88	40.00	315.00	4126	1659	-	-	<b>HW030+NMRV-P075</b>	56C
6.0	1.2	3201	7.88	40.00	315.00	3798	1659	<b>HW030+NMRV-P075</b>	TS71B4	-	-
3.5	1.8	5029	5.50	60.00	330.00	9094	2320	<b>HW040+NMRV-P110</b>	TS71C6	-	-
3.5	1.8	5029	5.50	60.00	330.00	9094	2320	<b>HW040+NMRV-P110</b>	TS80A6	-	-
5.0	2.7	3276	5.50	60.00	330.00	8876	2320	-	-	<b>HW040+NMRV-P110</b>	56C
3.5	1.8	5029	5.50	60.00	330.00	8876	2320	-	-	<b>HW040+NMRV-P110</b>	56C
5.0	2.4	3380	5.50	60.00	330.00	7968	2320	<b>HW040+NMRV-P110</b>	TS71B4	-	-
5.0	1.6	3047	5.50	60.00	330.00	4928	1839	-	-	<b>HW040+NMRV-P090</b>	56C



0.5 HP

Output speed [rpm]	Service factor sf	Output torque [in-lbs]	Ratio Stage 1	Ratio Stage 2	Exact ratio i	Max. torque [in-lbs]	OHL Output shaft [lbs]	Gearmotor		Gear Reducer	
								Reducer	Motor	Reducer	NEMA C-input
3.5	1.1	4678	5.50	60.00	330.00	4928	1839	-	-	HW040+NMRV-P090	56C
3.5	1.0	4678	5.50	60.00	330.00	4789	1839	HW040+NMRV-P090	TS71C6	-	-
3.5	1.0	4678	5.50	60.00	330.00	4789	1839	HW040+NMRV-P090	TS80A6	-	-
5.0	1.4	3151	5.50	60.00	330.00	4450	1839	HW040+NMRV-P090	TS71B4	-	-
4.6	2.2	4028	7.67	50.00	383.33	8934	2320	-	-	HW040+NMRV-P110	56C
3.0	1.4	6184	7.67	50.00	383.33	8934	2320	-	-	HW040+NMRV-P110	56C
3.0	1.4	6184	7.67	50.00	383.33	8388	2320	HW040+NMRV-P110	TS71C6	-	-
3.0	1.4	6184	7.67	50.00	383.33	8388	2320	HW040+NMRV-P110	TS80A6	-	-
4.6	2.0	4101	7.67	50.00	383.33	8294	2320	HW040+NMRV-P110	TS71B4	-	-
4.6	1.6	3744	7.67	50.00	383.33	5862	1839	-	-	HW040+NMRV-P090	56C
3.0	1.0	5748	7.67	50.00	383.33	5862	1839	-	-	HW040+NMRV-P090	56C
4.6	1.4	3831	7.67	50.00	383.33	5417	1839	HW040+NMRV-P090	TS71B4	-	-
4.4	1.0	3569	7.88	50.00	393.75	3676	1659	-	-	HW030+NMRV-P075	56C
4.0	1.4	4251	8.75	50.00	437.50	5920	1839	-	-	HW040+NMRV-P090	56C
4.0	1.3	4338	8.75	50.00	437.50	5525	1839	HW040+NMRV-P090	TS71B4	-	-
2.6	1.2	6135	5.50	80.00	440.00	7610	2320	HW040+NMRV-P110	TS71C6	-	-
2.6	1.2	6135	5.50	80.00	440.00	7610	2320	HW040+NMRV-P110	TS80A6	-	-
4.0	1.8	3996	5.50	80.00	440.00	7300	2320	-	-	HW040+NMRV-P110	56C
2.6	1.2	6135	5.50	80.00	440.00	7300	2320	-	-	HW040+NMRV-P110	56C
4.0	1.6	4112	5.50	80.00	440.00	6637	2320	HW040+NMRV-P110	TS71B4	-	-
2.5	1.4	6897	7.67	60.00	460.00	9379	2320	HW040+NMRV-P110	TS71C6	-	-
2.5	1.4	6897	7.67	60.00	460.00	9379	2320	HW040+NMRV-P110	TS80A6	-	-
3.8	2.0	4493	7.67	60.00	460.00	9162	2320	-	-	HW040+NMRV-P110	56C
2.5	1.3	6897	7.67	60.00	460.00	9162	2320	-	-	HW040+NMRV-P110	56C
3.8	1.8	4597	7.67	60.00	460.00	8491	2320	HW040+NMRV-P110	TS71B4	-	-
3.8	1.2	4174	7.67	60.00	460.00	5080	1839	-	-	HW040+NMRV-P090	56C
3.8	1.1	4278	7.67	60.00	460.00	4725	1839	HW040+NMRV-P090	TS71B4	-	-
3.3	1.6	5102	8.75	60.00	525.00	8246	2320	-	-	HW040+NMRV-P110	56C
2.2	1.1	7831	8.75	60.00	525.00	8246	2320	-	-	HW040+NMRV-P110	56C
2.2	1.0	7831	8.75	60.00	525.00	8116	2320	HW040+NMRV-P110	TS71C6	-	-
3.3	1.5	5206	8.75	60.00	525.00	8008	2320	HW040+NMRV-P110	TS71B4	-	-
3.3	1.1	4738	8.75	60.00	525.00	5127	1839	-	-	HW040+NMRV-P090	56C
2.9	1.4	5489	7.67	80.00	613.33	7509	2320	-	-	HW040+NMRV-P110	56C
2.9	1.3	5604	7.67	80.00	613.33	7022	2320	HW040+NMRV-P110	TS71B4	-	-
2.5	1.2	6235	8.75	80.00	700.00	7583	2320	-	-	HW040+NMRV-P110	56C
2.5	1.1	6350	8.75	80.00	700.00	7143	2320	HW040+NMRV-P110	TS71B4	-	-

0.75 HP

Output speed [rpm]	Service factor sf	Output torque [in-lbs]	Ratio Stage 1	Ratio Stage 2	Exact ratio i	Max. torque [in-lbs]	OHL Output shaft [lbs]	Gearmotor		Gear Reducer	
								Reducer	Motor	Reducer	NEMA C-input
52.0	3.4	731	2.94	7.50	22.08	2506	961	HW030+NMRV-P075	TS80B6	-	-

0.75 HP

Output speed [rpm]	Service factor sf	Output torque [in-lbs]	Ratio Stage 1	Ratio Stage 2	Exact ratio i	Max. torque [in-lbs]	OHL Output shaft [lbs]	Gearmotor		Gear Reducer	
								Reducer	Motor	Reducer	NEMA C-input
52.0	3.4	731	2.94	7.50	22.08	2500	961	-	-	HW030+NMRV-P075	56C
52.0	3.4	731	2.94	7.50	22.08	2500	961	-	-	HW030+NMRV-P075	143/145TC
79.0	3.9	478	2.94	7.50	22.08	1878	706	-	-	HW030+NMRV-P063	56C
52.0	2.6	734	2.94	7.50	22.08	1878	814	-	-	HW030+NMRV-P063	56C
52.0	2.6	734	2.94	7.50	22.08	1878	814	-	-	HW030+NMRV-P063	143/145TC
52.0	2.4	734	2.94	7.50	22.08	1773	814	HW030+NMRV-P063	TS80B6	-	-
79.0	3.2	488	2.94	7.50	22.08	1538	706	HW030+NMRV-P063	TS71C4	-	-
79.0	3.2	488	2.94	7.50	22.08	1538	706	HW030+NMRV-P063	TS80A4	-	-
52.0	1.2	717	2.94	7.50	22.08	877	623	HA31+NMRV050	TS80B6	-	-
79.0	1.7	477	2.94	7.50	22.08	820	540	HA31+NMRV050	TS71C4	-	-
79.0	1.7	477	2.94	7.50	22.08	820	540	HA31+NMRV050	TS80A4	-	-
79.0	1.0	471	2.94	7.50	22.08	475	393	HA31+NMRV040	TS71C4	-	-
79.0	1.0	471	2.94	7.50	22.08	475	393	HA31+NMRV040	TS80A4	-	-
74.0	1.2	514	4.75	5.00	23.75	603	553	HA31+NMRV050	TS71C4	-	-
74.0	1.2	514	4.75	5.00	23.75	603	553	HA31+NMRV050	TS80A4	-	-
74.0	1.0	514	4.75	5.00	23.75	522	403	HA31+NMRV040	TS71C4	-	-
74.0	1.0	514	4.75	5.00	23.75	522	403	HA31+NMRV040	TS80A4	-	-
69.0	1.1	550	5.10	5.00	25.50	628	566	HA31+NMRV050	TS71C4	-	-
39.0	2.6	955	3.87	7.50	29.00	2498	1052	HW030+NMRV-P075	TS80B6	-	-
60.0	4.0	622	3.87	7.50	29.00	2486	912	-	-	HW030+NMRV-P075	56C
39.0	2.6	955	3.87	7.50	29.00	2486	1052	-	-	HW030+NMRV-P075	56C
39.0	2.6	955	3.87	7.50	29.00	2486	1052	-	-	HW030+NMRV-P075	143/145TC
60.0	3.8	628	3.87	7.50	29.00	2377	912	HW030+NMRV-P075	TS71C4	-	-
60.0	3.8	628	3.87	7.50	29.00	2377	912	HW030+NMRV-P075	TS80A4	-	-
60.0	3.3	623	3.87	7.50	29.00	2056	773	-	-	HW030+NMRV-P063	56C
39.0	2.2	956	3.87	7.50	29.00	2056	891	-	-	HW030+NMRV-P063	56C
39.0	2.2	956	3.87	7.50	29.00	2056	891	-	-	HW030+NMRV-P063	143/145TC
39.0	2.0	956	3.87	7.50	29.00	1941	891	HW030+NMRV-P063	TS80B6	-	-
60.0	2.7	632	3.87	7.50	29.00	1682	773	HW030+NMRV-P063	TS71C4	-	-
60.0	2.7	632	3.87	7.50	29.00	1682	773	HW030+NMRV-P063	TS80A4	-	-
39.0	1.2	932	2.94	10.00	29.44	1080	685	HA31+NMRV050	TS80B6	-	-
59.0	1.5	620	2.94	10.00	29.44	956	594	HA31+NMRV050	TS71C4	-	-
59.0	1.5	620	2.94	10.00	29.44	956	594	HA31+NMRV050	TS80A4	-	-
49.0	1.2	752	4.75	7.50	35.63	883	633	HA31+NMRV050	TS71C4	-	-
49.0	1.2	752	4.75	7.50	35.63	883	633	HA31+NMRV050	TS80A4	-	-
45.0	3.6	800	3.87	10.00	38.67	2907	1004	-	-	HW030+NMRV-P075	56C
29.0	2.4	1229	3.87	10.00	38.67	2907	1158	-	-	HW030+NMRV-P075	56C
29.0	2.4	1229	3.87	10.00	38.67	2907	1158	-	-	HW030+NMRV-P075	143/145TC
29.0	2.3	1229	3.87	10.00	38.67	2848	1158	HW030+NMRV-P075	TS80B6	-	-
45.0	3.0	813	3.87	10.00	38.67	2469	1004	HW030+NMRV-P075	TS71C4	-	-
45.0	3.0	813	3.87	10.00	38.67	2469	1004	HW030+NMRV-P075	TS80A4	-	-

0.75 HP

Output speed [rpm]	Service factor sf	Output torque [in-lbs]	Ratio Stage 1	Ratio Stage 2	Exact ratio i	Max. torque [in-lbs]	OHL Output shaft [lbs]	Gearmotor		Gear Reducer	
								Reducer	Motor	Reducer	NEMA C-input
45.0	2.6	790	3.87	10.00	38.67	2064	851	-	-	HW030+NMRV-P063	56C
29.0	1.7	1213	3.87	10.00	38.67	2064	981	-	-	HW030+NMRV-P063	56C
29.0	1.7	1213	3.87	10.00	38.67	2064	981	-	-	HW030+NMRV-P063	143/145TC
29.0	1.6	1213	3.87	10.00	38.67	1951	981	HW030+NMRV-P063	TS80B6	-	-
45.0	2.1	803	3.87	10.00	38.67	1692	851	HW030+NMRV-P063	TS71C4	-	-
45.0	2.1	803	3.87	10.00	38.67	1692	851	HW030+NMRV-P063	TS80A4	-	-
43.0	1.1	860	5.45	7.50	40.91	918	663	HA31+NMRV050	TS71C4	-	-
27.0	3.3	1365	4.20	10.00	42.00	4471	1665	-	-	HW040+NMRV-P110	143/145TC
27.0	3.3	1365	4.20	10.00	42.00	4471	1317	-	-	HW040+NMRV-P090	56C
27.0	3.3	1365	4.20	10.00	42.00	4471	1317	-	-	HW040+NMRV-P090	143/145TC
27.0	3.3	1365	4.20	10.00	42.00	4471	1665	-	-	HW040+NMRV-P110	56C
27.0	3.2	1365	4.20	10.00	42.00	4392	1317	HW040+NMRV-P090	TS80B6	-	-
27.0	3.2	1365	4.20	10.00	42.00	4392	1665	HW040+NMRV-P110	TS80B6	-	-
26.0	2.3	1352	2.94	15.00	44.17	3065	1211	HW030+NMRV-P075	TS80B6	-	-
40.0	2.9	907	2.94	15.00	44.17	2658	1049	HW030+NMRV-P075	TS71C4	-	-
40.0	2.9	907	2.94	15.00	44.17	2658	1049	HW030+NMRV-P075	TS80A4	-	-
40.0	2.6	881	2.94	15.00	44.17	2325	1049	-	-	HW030+NMRV-P075	56C
26.0	1.7	1352	2.94	15.00	44.17	2325	1211	-	-	HW030+NMRV-P075	56C
26.0	1.7	1352	2.94	15.00	44.17	2325	1211	-	-	HW030+NMRV-P075	143/145TC
40.0	2.4	858	2.94	15.00	44.17	2062	889	-	-	HW030+NMRV-P063	56C
26.0	1.6	1317	2.94	15.00	44.17	2062	1026	-	-	HW030+NMRV-P063	56C
26.0	1.6	1317	2.94	15.00	44.17	2062	1026	-	-	HW030+NMRV-P063	143/145TC
26.0	1.5	1317	2.94	15.00	44.17	1928	1026	HW030+NMRV-P063	TS80B6	-	-
40.0	1.9	884	2.94	15.00	44.17	1672	889	HW030+NMRV-P063	TS71C4	-	-
40.0	1.9	884	2.94	15.00	44.17	1672	889	HW030+NMRV-P063	TS80A4	-	-
40.0	1.1	873	2.94	15.00	44.17	956	680	HA31+NMRV050	TS71C4	-	-
40.0	1.1	873	2.94	15.00	44.17	956	680	HA31+NMRV050	TS80A4	-	-
24.0	3.9	1459	3.11	15.00	46.58	5721	1364	-	-	HW040+NMRV-P090	56C
24.0	3.9	1459	3.11	15.00	46.58	5721	1364	-	-	HW040+NMRV-P090	143/145TC
24.0	3.6	1459	3.11	15.00	46.58	5288	1364	HW040+NMRV-P090	TS80B6	-	-
37.0	3.2	978	4.75	10.00	47.50	3113	1075	-	-	HW030+NMRV-P075	56C
24.0	2.1	1501	4.75	10.00	47.50	3113	1240	-	-	HW030+NMRV-P075	56C
24.0	2.1	1501	4.75	10.00	47.50	3113	1240	-	-	HW030+NMRV-P075	143/145TC
24.0	2.0	1501	4.75	10.00	47.50	3051	1240	HW030+NMRV-P075	TS80B6	-	-
37.0	2.7	991	4.75	10.00	47.50	2646	1075	HW030+NMRV-P075	TS71C4	-	-
37.0	2.7	991	4.75	10.00	47.50	2646	1075	HW030+NMRV-P075	TS80A4	-	-
37.0	2.3	966	4.75	10.00	47.50	2210	911	-	-	HW030+NMRV-P063	56C
24.0	1.5	1482	4.75	10.00	47.50	2210	1051	-	-	HW030+NMRV-P063	56C
24.0	1.5	1482	4.75	10.00	47.50	2210	1051	-	-	HW030+NMRV-P063	143/145TC
24.0	1.4	1482	4.75	10.00	47.50	2091	1051	HW030+NMRV-P063	TS80B6	-	-
37.0	1.9	979	4.75	10.00	47.50	1813	911	HW030+NMRV-P063	TS71C4	-	-

0.75 HP

Output speed [rpm]	Service factor sf	Output torque [in-lbs]	Ratio Stage 1	Ratio Stage 2	Exact ratio i	Max. torque [in-lbs]	OHL Output shaft [lbs]	Gearmotor		Gear Reducer	
								Reducer	Motor	Reducer	NEMA C-input
37.0	1.9	979	4.75	10.00	47.50	1813	911	HW030+NMRV-P063	TS80A4	-	-
37.0	1.1	979	4.75	10.00	47.50	1093	697	HA31+NMRV050	TS71C4	-	-
37.0	1.1	979	4.75	10.00	47.50	1093	697	HA31+NMRV050	TS80A4	-	-
32.0	1.0	1118	5.45	10.00	54.55	1127	730	HA31+NMRV050	TS71C4	-	-
20.0	1.9	1754	3.87	15.00	58.00	3355	1326	HW030+NMRV-P075	TS80B6	-	-
30.0	2.5	1168	3.87	15.00	58.00	2909	1149	HW030+NMRV-P075	TS71C4	-	-
30.0	2.5	1168	3.87	15.00	58.00	2909	1149	HW030+NMRV-P075	TS80A4	-	-
30.0	2.2	1142	3.87	15.00	58.00	2546	1149	-	-	HW030+NMRV-P075	56C
20.0	1.5	1754	3.87	15.00	58.00	2546	1326	-	-	HW030+NMRV-P075	56C
20.0	1.5	1754	3.87	15.00	58.00	2546	1326	-	-	HW030+NMRV-P075	143/145TC
30.0	2.0	1112	3.87	15.00	58.00	2258	974	-	-	HW030+NMRV-P063	56C
20.0	1.3	1708	3.87	15.00	58.00	2258	1123	-	-	HW030+NMRV-P063	56C
20.0	1.3	1708	3.87	15.00	58.00	2258	1123	-	-	HW030+NMRV-P063	143/145TC
20.0	1.2	1708	3.87	15.00	58.00	2110	1123	HW030+NMRV-P063	TS80B6	-	-
30.0	1.6	1138	3.87	15.00	58.00	1829	974	HW030+NMRV-P063	TS71C4	-	-
30.0	1.6	1138	3.87	15.00	58.00	1829	974	HW030+NMRV-P063	TS80A4	-	-
18.0	3.2	1949	4.20	15.00	63.00	6326	1508	-	-	HW040+NMRV-P090	56C
18.0	3.2	1949	4.20	15.00	63.00	6326	1508	-	-	HW040+NMRV-P090	143/145TC
18.0	3.0	1949	4.20	15.00	63.00	5847	1508	HW040+NMRV-P090	TS80B6	-	-
28.0	3.9	1295	4.20	15.00	63.00	5069	1307	HW040+NMRV-P090	TS71C4	-	-
28.0	3.9	1295	4.20	15.00	63.00	5069	1307	HW040+NMRV-P090	TS80A4	-	-
16.0	1.7	2138	4.75	15.00	71.25	3595	1420	HW030+NMRV-P075	TS80B6	-	-
25.0	2.2	1419	4.75	15.00	71.25	3117	1231	HW030+NMRV-P075	TS71C4	-	-
25.0	2.2	1419	4.75	15.00	71.25	3117	1231	HW030+NMRV-P075	TS80A4	-	-
25.0	2.0	1393	4.75	15.00	71.25	2726	1231	-	-	HW030+NMRV-P075	56C
16.0	1.3	2138	4.75	15.00	71.25	2726	1420	-	-	HW030+NMRV-P075	56C
16.0	1.3	2138	4.75	15.00	71.25	2726	1420	-	-	HW030+NMRV-P075	143/145TC
25.0	1.8	1356	4.75	15.00	71.25	2418	1043	-	-	HW030+NMRV-P063	56C
16.0	1.2	2082	4.75	15.00	71.25	2418	1203	-	-	HW030+NMRV-P063	56C
16.0	1.2	2082	4.75	15.00	71.25	2418	1203	-	-	HW030+NMRV-P063	143/145TC
16.0	1.1	2082	4.75	15.00	71.25	2261	1203	HW030+NMRV-P063	TS80B6	-	-
25.0	1.4	1382	4.75	15.00	71.25	1960	1043	HW030+NMRV-P063	TS71C4	-	-
25.0	1.4	1382	4.75	15.00	71.25	1960	1043	HW030+NMRV-P063	TS80A4	-	-
23.0	2.7	1446	3.87	20.00	77.33	3858	1265	-	-	HW030+NMRV-P075	56C
15.0	1.7	2219	3.87	20.00	77.33	3858	1459	-	-	HW030+NMRV-P075	56C
15.0	1.7	2219	3.87	20.00	77.33	3858	1459	-	-	HW030+NMRV-P075	143/145TC
15.0	1.6	2219	3.87	20.00	77.33	3623	1459	HW030+NMRV-P075	TS80B6	-	-
23.0	2.1	1489	3.87	20.00	77.33	3057	1265	HW030+NMRV-P075	TS71C4	-	-
23.0	2.1	1489	3.87	20.00	77.33	3057	1265	HW030+NMRV-P075	TS80A4	-	-
23.0	1.6	1406	3.87	20.00	77.33	2269	1072	-	-	HW030+NMRV-P063	56C
15.0	1.1	2158	3.87	20.00	77.33	2269	1236	-	-	HW030+NMRV-P063	56C

0.75 HP

Output speed [rpm]	Service factor sf	Output torque [in-lbs]	Ratio Stage 1	Ratio Stage 2	Exact ratio i	Max. torque [in-lbs]	OHL Output shaft [lbs]	Gearmotor		Gear Reducer	
								Reducer	Motor	Reducer	NEMA C-input
15.0	1.1	2158	3.87	20.00	77.33	2269	1236	-	-	HW030+NMRV-P063	143/145TC
23.0	1.3	1449	3.87	20.00	77.33	1816	1072	HW030+NMRV-P063	TS71C4	-	-
23.0	1.3	1449	3.87	20.00	77.33	1816	1072	HW030+NMRV-P063	TS80A4	-	-
23.0	3.7	1464	3.11	25.00	77.63	5400	1401	-	-	HW040+NMRV-P090	56C
15.0	2.4	2248	3.11	25.00	77.63	5400	1617	-	-	HW040+NMRV-P090	56C
15.0	2.4	2248	3.11	25.00	77.63	5400	1617	-	-	HW040+NMRV-P090	143/145TC
15.0	2.2	2248	3.11	25.00	77.63	4992	1617	HW040+NMRV-P090	TS80B6	-	-
23.0	2.6	1507	3.11	25.00	77.63	3927	1401	HW040+NMRV-P090	TS71C4	-	-
23.0	2.6	1507	3.11	25.00	77.63	3927	1401	HW040+NMRV-P090	TS80A4	-	-
14.0	1.5	2445	5.45	15.00	81.82	3658	1487	HW030+NMRV-P075	TS80B6	-	-
21.0	2.0	1618	5.45	15.00	81.82	3264	1289	HW030+NMRV-P075	TS71C4	-	-
21.0	2.0	1618	5.45	15.00	81.82	3264	1289	HW030+NMRV-P075	TS80A4	-	-
21.0	1.8	1592	5.45	15.00	81.82	2855	1289	-	-	HW030+NMRV-P075	56C
14.0	1.2	2445	5.45	15.00	81.82	2855	1487	-	-	HW030+NMRV-P075	56C
14.0	1.2	2445	5.45	15.00	81.82	2855	1487	-	-	HW030+NMRV-P075	143/145TC
21.0	1.6	1550	5.45	15.00	81.82	2532	1092	-	-	HW030+NMRV-P063	56C
14.0	1.1	2380	5.45	15.00	81.82	2532	1260	-	-	HW030+NMRV-P063	56C
21.0	1.3	1576	5.45	15.00	81.82	2053	1092	HW030+NMRV-P063	TS71C4	-	-
21.0	1.3	1576	5.45	15.00	81.82	2053	1092	HW030+NMRV-P063	TS80A4	-	-
14.0	3.3	2565	4.20	20.00	84.00	8403	2097	-	-	HW040+NMRV-P110	56C
14.0	3.3	2565	4.20	20.00	84.00	8403	2097	-	-	HW040+NMRV-P110	143/145TC
14.0	3.2	2565	4.20	20.00	84.00	8279	2097	HW040+NMRV-P110	TS80B6	-	-
21.0	3.7	1628	4.20	20.00	84.00	6068	1439	-	-	HW040+NMRV-P090	56C
14.0	2.4	2498	4.20	20.00	84.00	6068	1660	-	-	HW040+NMRV-P090	56C
14.0	2.4	2498	4.20	20.00	84.00	6068	1660	-	-	HW040+NMRV-P090	143/145TC
14.0	2.2	2498	4.20	20.00	84.00	5608	1660	HW040+NMRV-P090	TS80B6	-	-
21.0	2.9	1662	4.20	20.00	84.00	4862	1439	HW040+NMRV-P090	TS71C4	-	-
21.0	2.9	1662	4.20	20.00	84.00	4862	1439	HW040+NMRV-P090	TS80A4	-	-
20.0	2.4	1497	2.94	30.00	88.33	3541	1322	-	-	HW030+NMRV-P075	56C
13.0	1.5	2298	2.94	30.00	88.33	3541	1525	-	-	HW030+NMRV-P075	56C
13.0	1.5	2298	2.94	30.00	88.33	3541	1525	-	-	HW030+NMRV-P075	143/145TC
13.0	1.4	2298	2.94	30.00	88.33	3313	1525	HW030+NMRV-P075	TS80B6	-	-
20.0	1.8	1561	2.94	30.00	88.33	2873	1322	HW030+NMRV-P075	TS71C4	-	-
20.0	1.8	1561	2.94	30.00	88.33	2873	1322	HW030+NMRV-P075	TS80A4	-	-
20.0	1.5	1429	2.94	30.00	88.33	2211	1120	-	-	HW030+NMRV-P063	56C
13.0	1.0	2193	2.94	30.00	88.33	2211	1292	-	-	HW030+NMRV-P063	56C
13.0	1.0	2193	2.94	30.00	88.33	2211	1292	-	-	HW030+NMRV-P063	143/145TC
20.0	1.2	1493	2.94	30.00	88.33	1778	1120	HW030+NMRV-P063	TS71C4	-	-
20.0	1.2	1493	2.94	30.00	88.33	1778	1120	HW030+NMRV-P063	TS80A4	-	-
19.0	3.7	1644	3.11	30.00	93.16	6145	1489	-	-	HW040+NMRV-P090	56C
12.0	2.4	2524	3.11	30.00	93.16	6145	1718	-	-	HW040+NMRV-P090	56C

0.75 HP

Output speed [rpm]	Service factor sf	Output torque [in-lbs]	Ratio Stage 1	Ratio Stage 2	Exact ratio i	Max. torque [in-lbs]	OHL Output shaft [lbs]	Gearmotor		Gear Reducer	
								Reducer	Motor	Reducer	NEMA C-input
12.0	2.4	2524	3.11	30.00	93.16	6145	1718	-	-	HW040+NMRV-P090	143/145TC
12.0	2.3	2524	3.11	30.00	93.16	5680	1718	HW040+NMRV-P090	TS80B6	-	-
19.0	2.9	1709	3.11	30.00	93.16	4924	1489	HW040+NMRV-P090	TS71C4	-	-
19.0	2.9	1709	3.11	30.00	93.16	4924	1489	HW040+NMRV-P090	TS80A4	-	-
18.0	2.3	1758	4.75	20.00	95.00	4065	1355	-	-	HW030+NMRV-P075	56C
12.0	1.5	2699	4.75	20.00	95.00	4065	1563	-	-	HW030+NMRV-P075	56C
12.0	1.5	2699	4.75	20.00	95.00	4065	1563	-	-	HW030+NMRV-P075	143/145TC
12.0	1.4	2699	4.75	20.00	95.00	3857	1563	HW030+NMRV-P075	TS80B6	-	-
18.0	1.9	1801	4.75	20.00	95.00	3366	1355	HW030+NMRV-P075	TS71C4	-	-
18.0	1.9	1801	4.75	20.00	95.00	3366	1355	HW030+NMRV-P075	TS80A4	-	-
18.0	1.4	1709	4.75	20.00	95.00	2383	1148	-	-	HW030+NMRV-P063	56C
18.0	1.1	1752	4.75	20.00	95.00	1997	1148	HW030+NMRV-P063	TS71C4	-	-
18.0	1.1	1752	4.75	20.00	95.00	1997	1148	HW030+NMRV-P063	TS80A4	-	-
11.0	3.3	3123	4.20	25.00	105.00	10232	2259	-	-	HW040+NMRV-P110	56C
11.0	3.3	3123	4.20	25.00	105.00	10232	2259	-	-	HW040+NMRV-P110	143/145TC
11.0	3.2	3123	4.20	25.00	105.00	10083	2259	HW040+NMRV-P110	TS80B6	-	-
16.0	2.1	2008	5.45	20.00	109.09	4177	1419	-	-	HW030+NMRV-P075	56C
10.0	1.4	3082	5.45	20.00	109.09	4177	1636	-	-	HW030+NMRV-P075	56C
10.0	1.4	3082	5.45	20.00	109.09	4177	1636	-	-	HW030+NMRV-P075	143/145TC
10.0	1.3	3082	5.45	20.00	109.09	3973	1636	HW030+NMRV-P075	TS80B6	-	-
16.0	1.7	2051	5.45	20.00	109.09	3525	1419	HW030+NMRV-P075	TS71C4	-	-
16.0	1.7	2051	5.45	20.00	109.09	3525	1419	HW030+NMRV-P075	TS80A4	-	-
16.0	1.3	1951	5.45	20.00	109.09	2443	1202	-	-	HW030+NMRV-P063	56C
16.0	1.1	1994	5.45	20.00	109.09	2099	1202	HW030+NMRV-P063	TS71C4	-	-
16.0	1.1	1994	5.45	20.00	109.09	2099	1202	HW030+NMRV-P063	TS80A4	-	-
16.0	3.1	2112	5.50	20.00	110.00	6638	1574	-	-	HW040+NMRV-P090	56C
10.0	2.0	3242	5.50	20.00	110.00	6638	1816	-	-	HW040+NMRV-P090	56C
10.0	2.0	3242	5.50	20.00	110.00	6638	1816	-	-	HW040+NMRV-P090	143/145TC
10.0	1.9	3242	5.50	20.00	110.00	6135	1816	HW040+NMRV-P090	TS80B6	-	-
16.0	2.5	2146	5.50	20.00	110.00	5319	1574	HW040+NMRV-P090	TS71C4	-	-
16.0	2.5	2146	5.50	20.00	110.00	5319	1574	HW040+NMRV-P090	TS80A4	-	-
15.0	2.0	1929	3.87	30.00	116.00	3877	1448	-	-	HW030+NMRV-P075	56C
10.0	1.3	2962	3.87	30.00	116.00	3877	1659	-	-	HW030+NMRV-P075	56C
10.0	1.3	2962	3.87	30.00	116.00	3877	1659	-	-	HW030+NMRV-P075	143/145TC
10.0	1.2	2962	3.87	30.00	116.00	3626	1659	HW030+NMRV-P075	TS80B6	-	-
15.0	1.6	1994	3.87	30.00	116.00	3144	1448	HW030+NMRV-P075	TS71C4	-	-
15.0	1.6	1994	3.87	30.00	116.00	3144	1448	HW030+NMRV-P075	TS80A4	-	-
15.0	1.0	2243	7.88	15.00	118.13	2320	1234	HW030+NMRV-P063	TS71C4	-	-
15.0	1.0	2243	7.88	15.00	118.13	2320	1234	HW030+NMRV-P063	TS80A4	-	-
15.0	1.0	2218	7.88	15.00	118.13	2317	1234	-	-	HW030+NMRV-P063	56C
9.0	3.3	3354	4.20	30.00	126.00	10988	2320	-	-	HW040+NMRV-P110	56C

0.75 HP

Output speed [rpm]	Service factor sf	Output torque [in-lbs]	Ratio Stage 1	Ratio Stage 2	Exact ratio i	Max. torque [in-lbs]	OHL Output shaft [lbs]	Gearmotor		Gear Reducer	
								Reducer	Motor	Reducer	NEMA C-input
9.0	3.3	3354	4.20	30.00	126.00	10988	2320	-	-	HW040+NMRV-P110	143/145TC
9.0	3.3	3354	4.20	30.00	126.00	10901	2320	HW040+NMRV-P110	TS80B6	-	-
14.0	3.1	2183	4.20	30.00	126.00	6795	1647	-	-	HW040+NMRV-P090	56C
9.0	2.0	3351	4.20	30.00	126.00	6795	1839	-	-	HW040+NMRV-P090	56C
9.0	2.0	3351	4.20	30.00	126.00	6795	1839	-	-	HW040+NMRV-P090	143/145TC
9.0	1.9	3351	4.20	30.00	126.00	6281	1839	HW040+NMRV-P090	TS80B6	-	-
14.0	2.4	2247	4.20	30.00	126.00	5445	1647	HW040+NMRV-P090	TS71C4	-	-
14.0	2.4	2247	4.20	30.00	126.00	5445	1647	HW040+NMRV-P090	TS80A4	-	-
13.0	1.5	2404	5.45	25.00	136.36	3707	1528	-	-	HW030+NMRV-P075	56C
8.0	1.0	3690	5.45	25.00	136.36	3707	1659	-	-	HW030+NMRV-P075	56C
8.0	1.0	3690	5.45	25.00	136.36	3707	1659	-	-	HW030+NMRV-P075	143/145TC
13.0	1.3	2458	5.45	25.00	136.36	3183	1528	HW030+NMRV-P075	TS71C4	-	-
13.0	1.3	2458	5.45	25.00	136.36	3183	1528	HW030+NMRV-P075	TS80A4	-	-
13.0	3.2	2640	5.50	25.00	137.50	8574	2143	-	-	HW040+NMRV-P110	56C
8.0	2.1	4053	5.50	25.00	137.50	8574	2320	-	-	HW040+NMRV-P110	56C
8.0	2.1	4053	5.50	25.00	137.50	8574	2320	-	-	HW040+NMRV-P110	143/145TC
8.0	2.1	4053	5.50	25.00	137.50	8475	2320	HW040+NMRV-P110	TS80B6	-	-
13.0	3.1	2683	5.50	25.00	137.50	8302	2143	HW040+NMRV-P110	TS71C4	-	-
13.0	3.1	2683	5.50	25.00	137.50	8302	2143	HW040+NMRV-P110	TS80A4	-	-
13.0	2.4	2534	5.50	25.00	137.50	6191	1696	-	-	HW040+NMRV-P090	56C
8.0	1.6	3890	5.50	25.00	137.50	6191	1839	-	-	HW040+NMRV-P090	56C
8.0	1.6	3890	5.50	25.00	137.50	6191	1839	-	-	HW040+NMRV-P090	143/145TC
8.0	1.5	3890	5.50	25.00	137.50	5925	1839	HW040+NMRV-P090	TS80B6	-	-
13.0	2.0	2577	5.50	25.00	137.50	5235	1696	HW040+NMRV-P090	TS71C4	-	-
13.0	2.0	2577	5.50	25.00	137.50	5235	1696	HW040+NMRV-P090	TS80A4	-	-
12.0	1.8	2344	4.75	30.00	142.50	4152	1551	-	-	HW030+NMRV-P075	56C
8.0	1.2	3598	4.75	30.00	142.50	4152	1659	-	-	HW030+NMRV-P075	56C
8.0	1.2	3598	4.75	30.00	142.50	4152	1659	-	-	HW030+NMRV-P075	143/145TC
8.0	1.1	3598	4.75	30.00	142.50	3886	1659	HW030+NMRV-P075	TS80B6	-	-
12.0	1.4	2408	4.75	30.00	142.50	3369	1551	HW030+NMRV-P075	TS71C4	-	-
12.0	1.4	2408	4.75	30.00	142.50	3369	1551	HW030+NMRV-P075	TS80A4	-	-
12.0	1.2	2233	4.75	30.00	142.50	2593	1314	-	-	HW030+NMRV-P063	56C
11.0	1.6	2373	3.87	40.00	154.67	3763	1594	-	-	HW030+NMRV-P075	56C
7.0	1.0	3643	3.87	40.00	154.67	3763	1659	-	-	HW030+NMRV-P075	56C
7.0	1.0	3643	3.87	40.00	154.67	3763	1659	-	-	HW030+NMRV-P075	143/145TC
11.0	1.3	2459	3.87	40.00	154.67	3081	1594	HW030+NMRV-P075	TS71C4	-	-
11.0	1.3	2459	3.87	40.00	154.67	3081	1594	HW030+NMRV-P075	TS80A4	-	-
11.0	3.7	2540	3.11	50.00	155.26	9289	2231	-	-	HW040+NMRV-P110	56C
7.0	2.4	3900	3.11	50.00	155.26	9289	2320	-	-	HW040+NMRV-P110	56C
7.0	2.4	3900	3.11	50.00	155.26	9289	2320	-	-	HW040+NMRV-P110	143/145TC
7.0	2.2	3900	3.11	50.00	155.26	8755	2320	HW040+NMRV-P110	TS80B6	-	-

0.75 HP

Output speed [rpm]	Service factor sf	Output torque [in-lbs]	Ratio Stage 1	Ratio Stage 2	Exact ratio i	Max. torque [in-lbs]	OHL Output shaft [lbs]	Gearmotor		Gear Reducer	
								Reducer	Motor	Reducer	NEMA C-input
11.0	2.8	2648	3.11	50.00	155.26	7326	2231	HW040+NMRV-P110	TS71C4	-	-
11.0	2.8	2648	3.11	50.00	155.26	7326	2231	HW040+NMRV-P110	TS80A4	-	-
7.0	1.4	3672	3.11	50.00	155.26	5173	1839	-	-	HW040+NMRV-P090	143/145TC
11.0	2.2	2392	3.11	50.00	155.26	5173	1766	-	-	HW040+NMRV-P090	56C
7.0	1.4	3672	3.11	50.00	155.26	5173	1839	-	-	HW040+NMRV-P090	56C
7.0	1.3	3672	3.11	50.00	155.26	4874	1839	HW040+NMRV-P090	TS80B6	-	-
11.0	1.6	2521	3.11	50.00	155.26	4139	1766	HW040+NMRV-P090	TS71C4	-	-
11.0	1.6	2521	3.11	50.00	155.26	4139	1766	HW040+NMRV-P090	TS80A4	-	-
11.0	1.6	2674	5.45	30.00	163.64	4348	1624	-	-	HW030+NMRV-P075	56C
7.0	1.1	4105	5.45	30.00	163.64	4348	1659	-	-	HW030+NMRV-P075	56C
7.0	1.1	4105	5.45	30.00	163.64	4348	1659	-	-	HW030+NMRV-P075	143/145TC
11.0	1.3	2738	5.45	30.00	163.64	3528	1624	HW030+NMRV-P075	TS71C4	-	-
11.0	1.3	2738	5.45	30.00	163.64	3528	1624	HW030+NMRV-P075	TS80A4	-	-
11.0	1.1	2548	5.45	30.00	163.64	2715	1376	-	-	HW030+NMRV-P063	56C
11.0	2.6	2823	5.50	30.00	165.00	7434	1802	-	-	HW040+NMRV-P090	56C
7.0	1.7	4333	5.50	30.00	165.00	7434	1839	-	-	HW040+NMRV-P090	56C
7.0	1.7	4333	5.50	30.00	165.00	7434	1839	-	-	HW040+NMRV-P090	143/145TC
7.0	1.6	4333	5.50	30.00	165.00	6871	1839	HW040+NMRV-P090	TS80B6	-	-
11.0	2.1	2887	5.50	30.00	165.00	5957	1802	HW040+NMRV-P090	TS71C4	-	-
11.0	2.1	2887	5.50	30.00	165.00	5957	1802	HW040+NMRV-P090	TS80A4	-	-
10.0	3.8	2826	4.20	40.00	168.00	10790	2291	-	-	HW040+NMRV-P110	56C
7.0	2.5	4339	4.20	40.00	168.00	10790	2320	-	-	HW040+NMRV-P110	56C
7.0	2.5	4339	4.20	40.00	168.00	10790	2320	-	-	HW040+NMRV-P110	143/145TC
7.0	2.4	4339	4.20	40.00	168.00	10558	2320	HW040+NMRV-P110	TS80B6	-	-
10.0	3.1	2929	4.20	40.00	168.00	8990	2291	HW040+NMRV-P110	TS71C4	-	-
10.0	3.1	2929	4.20	40.00	168.00	8990	2291	HW040+NMRV-P110	TS80A4	-	-
10.0	1.3	2418	2.94	60.00	176.67	3065	1659	-	-	HW030+NMRV-P075	56C
9.0	2.8	2871	3.11	60.00	186.32	8114	2320	-	-	HW040+NMRV-P110	56C
6.0	1.8	4407	3.11	60.00	186.32	8114	2320	-	-	HW040+NMRV-P110	56C
6.0	1.8	4407	3.11	60.00	186.32	8114	2320	-	-	HW040+NMRV-P110	143/145TC
6.0	1.7	4407	3.11	60.00	186.32	7684	2320	HW040+NMRV-P110	TS80B6	-	-
9.0	2.2	3025	3.11	60.00	186.32	6543	2320	HW040+NMRV-P110	TS71C4	-	-
9.0	2.2	3025	3.11	60.00	186.32	6543	2320	HW040+NMRV-P110	TS80A4	-	-
9.0	1.7	2679	3.11	60.00	186.32	4523	1839	-	-	HW040+NMRV-P090	56C
6.0	1.1	4112	3.11	60.00	186.32	4523	1839	-	-	HW040+NMRV-P090	56C
6.0	1.1	4112	3.11	60.00	186.32	4523	1839	-	-	HW040+NMRV-P090	143/145TC
6.0	1.0	4112	3.11	60.00	186.32	4301	1839	HW040+NMRV-P090	TS80B6	-	-
9.0	1.3	2833	3.11	60.00	186.32	3700	1839	HW040+NMRV-P090	TS71C4	-	-
9.0	1.3	2833	3.11	60.00	186.32	3700	1839	HW040+NMRV-P090	TS80A4	-	-
9.0	1.0	3428	7.88	25.00	196.88	3581	1659	-	-	HW030+NMRV-P075	56C
9.0	1.0	3482	7.88	25.00	196.88	3508	1659	HW030+NMRV-P075	TS71C4	-	-



0.75 HP

Output speed [rpm]	Service factor sf	Output torque [in-lbs]	Ratio Stage 1	Ratio Stage 2	Exact ratio i	Max. torque [in-lbs]	OHL Output shaft [lbs]	Gearmotor		Gear Reducer	
								Reducer	Motor	Reducer	NEMA C-input
9.0	1.0	3482	7.88	25.00	196.88	3508	1659	HW030+NMRV-P075	TS80A4	-	-
8.0	1.2	3284	5.45	40.00	218.18	3969	1659	-	-	HW030+NMRV-P075	56C
8.0	1.0	3370	5.45	40.00	218.18	3457	1659	HW030+NMRV-P075	TS71C4	-	-
8.0	1.0	3370	5.45	40.00	218.18	3457	1659	HW030+NMRV-P075	TS80A4	-	-
8.0	3.1	3644	5.50	40.00	220.00	11262	2320	-	-	HW040+NMRV-P110	56C
5.0	2.0	5593	5.50	40.00	220.00	11262	2320	-	-	HW040+NMRV-P110	56C
5.0	2.0	5593	5.50	40.00	220.00	11262	2320	-	-	HW040+NMRV-P110	143/145TC
5.0	2.0	5593	5.50	40.00	220.00	11144	2320	HW040+NMRV-P110	TS80B6	-	-
8.0	2.6	3747	5.50	40.00	220.00	9867	2320	HW040+NMRV-P110	TS71C4	-	-
8.0	2.6	3747	5.50	40.00	220.00	9867	2320	HW040+NMRV-P110	TS80A4	-	-
8.0	1.9	3480	5.50	40.00	220.00	6779	1839	-	-	HW040+NMRV-P090	56C
5.0	1.3	5343	5.50	40.00	220.00	6779	1839	-	-	HW040+NMRV-P090	56C
5.0	1.3	5343	5.50	40.00	220.00	6779	1839	-	-	HW040+NMRV-P090	143/145TC
5.0	1.2	5343	5.50	40.00	220.00	6265	1839	HW040+NMRV-P090	TS80B6	-	-
8.0	1.5	3566	5.50	40.00	220.00	5432	1839	HW040+NMRV-P090	TS71C4	-	-
8.0	1.5	3566	5.50	40.00	220.00	5432	1839	HW040+NMRV-P090	TS80A4	-	-
7.0	1.0	3874	7.88	30.00	236.25	3987	1659	HW030+NMRV-P075	TS71C4	-	-
7.0	1.0	3874	7.88	30.00	236.25	3987	1659	HW030+NMRV-P075	TS80A4	-	-
7.0	1.0	3809	7.88	30.00	236.25	3979	1659	-	-	HW030+NMRV-P075	56C
4.5	1.5	5810	4.20	60.00	252.00	8701	2320	HW040+NMRV-P110	TS80B6	-	-
7.0	2.3	3785	4.20	60.00	252.00	8574	2320	-	-	HW040+NMRV-P110	56C
4.5	1.5	5810	4.20	60.00	252.00	8574	2320	-	-	HW040+NMRV-P110	56C
4.5	1.5	5810	4.20	60.00	252.00	8574	2320	-	-	HW040+NMRV-P110	143/145TC
7.0	1.9	3939	4.20	60.00	252.00	7396	2320	HW040+NMRV-P110	TS71C4	-	-
7.0	1.9	3939	4.20	60.00	252.00	7396	2320	HW040+NMRV-P110	TS80A4	-	-
7.0	1.4	3525	4.20	60.00	252.00	4759	1839	-	-	HW040+NMRV-P090	56C
7.0	1.1	3680	4.20	60.00	252.00	4149	1839	HW040+NMRV-P090	TS71C4	-	-
7.0	1.1	3680	4.20	60.00	252.00	4149	1839	HW040+NMRV-P090	TS80A4	-	-
4.1	1.6	6678	5.50	50.00	275.00	10356	2320	HW040+NMRV-P110	TS80B6	-	-
6.0	2.4	4350	5.50	50.00	275.00	10245	2320	-	-	HW040+NMRV-P110	56C
4.1	1.5	6678	5.50	50.00	275.00	10245	2320	-	-	HW040+NMRV-P110	56C
4.1	1.5	6678	5.50	50.00	275.00	10245	2320	-	-	HW040+NMRV-P110	143/145TC
6.0	2.0	4458	5.50	50.00	275.00	9111	2320	HW040+NMRV-P110	TS71C4	-	-
6.0	2.0	4458	5.50	50.00	275.00	9111	2320	HW040+NMRV-P110	TS80A4	-	-
6.0	1.4	4058	5.50	50.00	275.00	5674	1839	-	-	HW040+NMRV-P090	56C
6.0	1.2	4187	5.50	50.00	275.00	5075	1839	HW040+NMRV-P090	TS71C4	-	-
6.0	1.2	4187	5.50	50.00	275.00	5075	1839	HW040+NMRV-P090	TS80A4	-	-
6.0	2.1	4797	6.09	50.00	304.55	10245	2320	-	-	HW040+NMRV-P110	56C
3.7	1.4	7364	6.09	50.00	304.55	10245	2320	-	-	HW040+NMRV-P110	56C
3.7	1.4	7364	6.09	50.00	304.55	10245	2320	-	-	HW040+NMRV-P110	143/145TC
3.7	1.4	7364	6.09	50.00	304.55	10199	2320	HW040+NMRV-P110	TS80B6	-	-

0.75 HP

Output speed [rpm]	Service factor sf	Output torque [in-lbs]	Ratio Stage 1	Ratio Stage 2	Exact ratio i	Max. torque [in-lbs]	OHL Output shaft [lbs]	Gearmotor		Gear Reducer	
								Reducer	Motor	Reducer	NEMA C-input
6.0	1.9	4904	6.09	50.00	304.55	9335	2320	HW040+NMRV-P110	TS71C4	-	-
6.0	1.9	4904	6.09	50.00	304.55	9335	2320	HW040+NMRV-P110	TS80A4	-	-
6.0	1.3	4470	6.09	50.00	304.55	5660	1839	-	-	HW040+NMRV-P090	56C
6.0	1.1	4598	6.09	50.00	304.55	5192	1839	HW040+NMRV-P090	TS71C4	-	-
6.0	1.1	4598	6.09	50.00	304.55	5192	1839	HW040+NMRV-P090	TS80A4	-	-
3.5	1.2	7476	5.50	60.00	330.00	9094	2320	HW040+NMRV-P110	TS80B6	-	-
5.0	1.8	4870	5.50	60.00	330.00	8876	2320	-	-	HW040+NMRV-P110	56C
3.5	1.2	7476	5.50	60.00	330.00	8876	2320	-	-	HW040+NMRV-P110	56C
3.5	1.2	7476	5.50	60.00	330.00	8876	2320	-	-	HW040+NMRV-P110	143/145TC
5.0	1.6	5025	5.50	60.00	330.00	7968	2320	HW040+NMRV-P110	TS71C4	-	-
5.0	1.6	5025	5.50	60.00	330.00	7968	2320	HW040+NMRV-P110	TS80A4	-	-
5.0	1.1	4530	5.50	60.00	330.00	4928	1839	-	-	HW040+NMRV-P090	56C
4.6	1.5	5988	7.67	50.00	383.33	8934	2320	-	-	HW040+NMRV-P110	56C
4.6	1.4	6096	7.67	50.00	383.33	8294	2320	HW040+NMRV-P110	TS71C4	-	-
4.6	1.4	6096	7.67	50.00	383.33	8294	2320	HW040+NMRV-P110	TS80A4	-	-
4.6	1.1	5566	7.67	50.00	383.33	5862	1839	-	-	HW040+NMRV-P090	56C
4.0	1.2	5940	5.50	80.00	440.00	7300	2320	-	-	HW040+NMRV-P110	56C
4.0	1.1	6112	5.50	80.00	440.00	6637	2320	HW040+NMRV-P110	TS71C4	-	-
4.0	1.1	6112	5.50	80.00	440.00	6637	2320	HW040+NMRV-P110	TS80A4	-	-
3.8	1.4	6679	7.67	60.00	460.00	9162	2320	-	-	HW040+NMRV-P110	56C
3.8	1.2	6834	7.67	60.00	460.00	8491	2320	HW040+NMRV-P110	TS71C4	-	-
3.8	1.2	6834	7.67	60.00	460.00	8491	2320	HW040+NMRV-P110	TS80A4	-	-
3.3	1.1	7584	8.75	60.00	525.00	8246	2320	-	-	HW040+NMRV-P110	56C
3.3	1.0	7738	8.75	60.00	525.00	8008	2320	HW040+NMRV-P110	TS71C4	-	-

1 HP

Output speed [rpm]	Service factor sf	Output torque [in-lbs]	Ratio Stage 1	Ratio Stage 2	Exact ratio i	Max. torque [in-lbs]	OHL Output shaft [lbs]	Gearmotor		Gear Reducer	
								Reducer	Motor	Reducer	NEMA C-input
52.0	2.5	997	2.94	7.50	22.08	2506	961	HW030+NMRV-P075	TS80C6	-	-
79.0	3.8	650	2.94	7.50	22.08	2500	833	-	-	HW030+NMRV-P075	56C
52.0	2.5	997	2.94	7.50	22.08	2500	961	-	-	HW030+NMRV-P075	56C
79.0	3.8	650	2.94	7.50	22.08	2500	833	-	-	HW030+NMRV-P075	143/145TC
52.0	2.5	997	2.94	7.50	22.08	2500	961	-	-	HW030+NMRV-P075	143/145TC
79.0	3.2	658	2.94	7.50	22.08	2133	833	HW030+NMRV-P075	TH80B4	-	-
79.0	3.2	658	2.94	7.50	22.08	2133	833	HW030+NMRV-P075	TP80B4	-	-
79.0	3.2	658	2.94	7.50	22.08	2133	833	HW030+NMRV-P075	TS80B4	-	-
79.0	2.9	652	2.94	7.50	22.08	1878	706	-	-	HW030+NMRV-P063	56C
52.0	1.9	1001	2.94	7.50	22.08	1878	814	-	-	HW030+NMRV-P063	56C
79.0	2.9	652	2.94	7.50	22.08	1878	706	-	-	HW030+NMRV-P063	143/145TC
52.0	1.9	1001	2.94	7.50	22.08	1878	814	-	-	HW030+NMRV-P063	143/145TC
52.0	1.8	1001	2.94	7.50	22.08	1773	814	HW030+NMRV-P063	TS80C6	-	-

1 HP

Output speed [rpm]	Service factor sf	Output torque [in-lbs]	Ratio Stage 1	Ratio Stage 2	Exact ratio i	Max. torque [in-lbs]	OHL Output shaft [lbs]	Gearmotor		Gear Reducer	
								Reducer	Motor	Reducer	NEMA C-input
79.0	2.3	665	2.94	7.50	22.08	1538	706	HW030+NMRV-P063	TH80B4	-	-
79.0	2.3	665	2.94	7.50	22.08	1538	706	HW030+NMRV-P063	TP80B4	-	-
79.0	2.3	665	2.94	7.50	22.08	1538	706	HW030+NMRV-P063	TS80B4	-	-
79.0	1.3	650	2.94	7.50	22.08	820	540	HA31+NMRV050	TH80B4	-	-
79.0	1.3	650	2.94	7.50	22.08	820	540	HA31+NMRV050	TP80B4	-	-
79.0	1.3	650	2.94	7.50	22.08	820	540	HA31+NMRV050	TS80B4	-	-
49.0	3.5	1067	3.11	7.50	23.29	3775	1367	-	-	HW040+NMRV-P110	56C
49.0	3.5	1067	3.11	7.50	23.29	3775	1367	-	-	HW040+NMRV-P110	143/145TC
49.0	3.5	1063	3.11	7.50	23.29	3762	1082	-	-	HW040+NMRV-P090	56C
49.0	3.5	1063	3.11	7.50	23.29	3762	1082	-	-	HW040+NMRV-P090	143/145TC
49.0	3.4	1067	3.11	7.50	23.29	3640	1367	HW040+NMRV-P110	TS80C6	-	-
49.0	3.4	1067	3.11	7.50	23.29	3640	1367	HW040+NMRV-P110	TH90S6	-	-
49.0	3.4	1067	3.11	7.50	23.29	3640	1367	HW040+NMRV-P110	TS90S6	-	-
49.0	3.4	1063	3.11	7.50	23.29	3616	1082	HW040+NMRV-P090	TS80C6	-	-
49.0	3.4	1063	3.11	7.50	23.29	3616	1082	HW040+NMRV-P090	TH90S6	-	-
49.0	3.4	1063	3.11	7.50	23.29	3616	1082	HW040+NMRV-P090	TS90S6	-	-
39.0	1.9	1302	3.87	7.50	29.00	2498	1052	HW030+NMRV-P075	TS80C6	-	-
60.0	2.9	848	3.87	7.50	29.00	2486	912	-	-	HW030+NMRV-P075	56C
39.0	1.9	1302	3.87	7.50	29.00	2486	1052	-	-	HW030+NMRV-P075	56C
60.0	2.9	848	3.87	7.50	29.00	2486	912	-	-	HW030+NMRV-P075	143/145TC
39.0	1.9	1302	3.87	7.50	29.00	2486	1052	-	-	HW030+NMRV-P075	143/145TC
60.0	2.8	857	3.87	7.50	29.00	2377	912	HW030+NMRV-P075	TH80B4	-	-
60.0	2.8	857	3.87	7.50	29.00	2377	912	HW030+NMRV-P075	TP80B4	-	-
60.0	2.8	857	3.87	7.50	29.00	2377	912	HW030+NMRV-P075	TS80B4	-	-
60.0	2.4	849	3.87	7.50	29.00	2056	773	-	-	HW030+NMRV-P063	56C
39.0	1.6	1303	3.87	7.50	29.00	2056	891	-	-	HW030+NMRV-P063	56C
60.0	2.4	849	3.87	7.50	29.00	2056	773	-	-	HW030+NMRV-P063	143/145TC
39.0	1.6	1303	3.87	7.50	29.00	2056	891	-	-	HW030+NMRV-P063	143/145TC
39.0	1.5	1303	3.87	7.50	29.00	1941	891	HW030+NMRV-P063	TS80C6	-	-
60.0	2.0	862	3.87	7.50	29.00	1682	773	HW030+NMRV-P063	TH80B4	-	-
60.0	2.0	862	3.87	7.50	29.00	1682	773	HW030+NMRV-P063	TP80B4	-	-
60.0	2.0	862	3.87	7.50	29.00	1682	773	HW030+NMRV-P063	TS80B4	-	-
59.0	1.1	846	2.94	10.00	29.44	956	594	HA31+NMRV050	TH80B4	-	-
59.0	1.1	846	2.94	10.00	29.44	956	594	HA31+NMRV050	TP80B4	-	-
59.0	1.1	846	2.94	10.00	29.44	956	594	HA31+NMRV050	TS80B4	-	-
37.0	3.5	1389	3.11	10.00	31.05	4915	1191	-	-	HW040+NMRV-P090	56C
37.0	3.5	1389	3.11	10.00	31.05	4915	1191	-	-	HW040+NMRV-P090	143/145TC
37.0	3.5	1389	3.11	10.00	31.05	4915	1505	-	-	HW040+NMRV-P110	56C
37.0	3.5	1389	3.11	10.00	31.05	4915	1505	-	-	HW040+NMRV-P110	143/145TC
37.0	3.4	1389	3.11	10.00	31.05	4740	1505	HW040+NMRV-P110	TS80C6	-	-
37.0	3.4	1389	3.11	10.00	31.05	4740	1505	HW040+NMRV-P110	TH90S6	-	-

1 HP

Output speed [rpm]	Service factor sf	Output torque [in-lbs]	Ratio Stage 1	Ratio Stage 2	Exact ratio i	Max. torque [in-lbs]	OHL Output shaft [lbs]	Gearmotor		Gear Reducer	
								Reducer	Motor	Reducer	NEMA C-input
37.0	3.4	1389	3.11	10.00	31.05	4740	1505	HW040+NMRV-P110	TS90S6	-	-
37.0	3.4	1389	3.11	10.00	31.05	4699	1191	HW040+NMRV-P090	TS80C6	-	-
37.0	3.4	1389	3.11	10.00	31.05	4699	1191	HW040+NMRV-P090	TH90S6	-	-
37.0	3.4	1389	3.11	10.00	31.05	4699	1191	HW040+NMRV-P090	TS90S6	-	-
45.0	2.7	1091	3.87	10.00	38.67	2907	1004	-	-	HW030+NMRV-P075	56C
29.0	1.7	1675	3.87	10.00	38.67	2907	1158	-	-	HW030+NMRV-P075	56C
45.0	2.7	1091	3.87	10.00	38.67	2907	1004	-	-	HW030+NMRV-P075	143/145TC
29.0	1.7	1675	3.87	10.00	38.67	2907	1158	-	-	HW030+NMRV-P075	143/145TC
29.0	1.7	1675	3.87	10.00	38.67	2848	1158	HW030+NMRV-P075	TS80C6	-	-
45.0	2.2	1109	3.87	10.00	38.67	2469	1004	HW030+NMRV-P075	TH80B4	-	-
45.0	2.2	1109	3.87	10.00	38.67	2469	1004	HW030+NMRV-P075	TP80B4	-	-
45.0	2.2	1109	3.87	10.00	38.67	2469	1004	HW030+NMRV-P075	TS80B4	-	-
45.0	1.9	1078	3.87	10.00	38.67	2064	851	-	-	HW030+NMRV-P063	56C
29.0	1.2	1655	3.87	10.00	38.67	2064	981	-	-	HW030+NMRV-P063	56C
45.0	1.9	1078	3.87	10.00	38.67	2064	851	-	-	HW030+NMRV-P063	143/145TC
29.0	1.2	1655	3.87	10.00	38.67	2064	981	-	-	HW030+NMRV-P063	143/145TC
29.0	1.2	1655	3.87	10.00	38.67	1951	981	HW030+NMRV-P063	TS80C6	-	-
45.0	1.5	1095	3.87	10.00	38.67	1692	851	HW030+NMRV-P063	TH80B4	-	-
45.0	1.5	1095	3.87	10.00	38.67	1692	851	HW030+NMRV-P063	TP80B4	-	-
45.0	1.5	1095	3.87	10.00	38.67	1692	851	HW030+NMRV-P063	TS80B4	-	-
42.0	3.7	1212	4.20	10.00	42.00	4471	1142	-	-	HW040+NMRV-P090	56C
27.0	2.4	1861	4.20	10.00	42.00	4471	1317	-	-	HW040+NMRV-P090	56C
42.0	3.7	1212	4.20	10.00	42.00	4471	1142	-	-	HW040+NMRV-P090	143/145TC
27.0	2.4	1861	4.20	10.00	42.00	4471	1317	-	-	HW040+NMRV-P090	143/145TC
42.0	3.7	1212	4.20	10.00	42.00	4471	1443	-	-	HW040+NMRV-P110	56C
27.0	2.4	1861	4.20	10.00	42.00	4471	1665	-	-	HW040+NMRV-P110	56C
42.0	3.7	1212	4.20	10.00	42.00	4471	1443	-	-	HW040+NMRV-P110	143/145TC
27.0	2.4	1861	4.20	10.00	42.00	4471	1665	-	-	HW040+NMRV-P110	143/145TC
27.0	2.4	1861	4.20	10.00	42.00	4392	1665	HW040+NMRV-P110	TS80C6	-	-
27.0	2.4	1861	4.20	10.00	42.00	4392	1665	HW040+NMRV-P110	TH90S6	-	-
27.0	2.4	1861	4.20	10.00	42.00	4392	1665	HW040+NMRV-P110	TS90S6	-	-
27.0	2.4	1861	4.20	10.00	42.00	4392	1317	HW040+NMRV-P090	TS80C6	-	-
27.0	2.4	1861	4.20	10.00	42.00	4392	1317	HW040+NMRV-P090	TH90S6	-	-
27.0	2.4	1861	4.20	10.00	42.00	4392	1317	HW040+NMRV-P090	TS90S6	-	-
42.0	3.6	1230	4.20	10.00	42.00	4373	1142	HW040+NMRV-P090	TH80B4	-	-
42.0	3.6	1230	4.20	10.00	42.00	4373	1142	HW040+NMRV-P090	TP80B4	-	-
42.0	3.6	1230	4.20	10.00	42.00	4373	1142	HW040+NMRV-P090	TS80B4	-	-
42.0	3.6	1230	4.20	10.00	42.00	4373	1443	HW040+NMRV-P110	TH80B4	-	-
42.0	3.6	1230	4.20	10.00	42.00	4373	1443	HW040+NMRV-P110	TP80B4	-	-
42.0	3.6	1230	4.20	10.00	42.00	4373	1443	HW040+NMRV-P110	TS80B4	-	-
26.0	1.7	1844	2.94	15.00	44.17	3065	1211	HW030+NMRV-P075	TS80C6	-	-

1 HP

Output speed [rpm]	Service factor sf	Output torque [in-lbs]	Ratio Stage 1	Ratio Stage 2	Exact ratio i	Max. torque [in-lbs]	OHL Output shaft [lbs]	Gearmotor		Gear Reducer	
								Reducer	Motor	Reducer	NEMA C-input
40.0	2.1	1236	2.94	15.00	44.17	2658	1049	HW030+NMRV-P075	TH80B4	-	-
40.0	2.1	1236	2.94	15.00	44.17	2658	1049	HW030+NMRV-P075	TP80B4	-	-
40.0	2.1	1236	2.94	15.00	44.17	2658	1049	HW030+NMRV-P075	TS80B4	-	-
40.0	1.9	1201	2.94	15.00	44.17	2325	1049	-	-	HW030+NMRV-P075	56C
26.0	1.3	1844	2.94	15.00	44.17	2325	1211	-	-	HW030+NMRV-P075	56C
40.0	1.9	1201	2.94	15.00	44.17	2325	1049	-	-	HW030+NMRV-P075	143/145TC
26.0	1.3	1844	2.94	15.00	44.17	2325	1211	-	-	HW030+NMRV-P075	143/145TC
40.0	1.8	1170	2.94	15.00	44.17	2062	889	-	-	HW030+NMRV-P063	56C
26.0	1.1	1797	2.94	15.00	44.17	2062	1026	-	-	HW030+NMRV-P063	56C
40.0	1.8	1170	2.94	15.00	44.17	2062	889	-	-	HW030+NMRV-P063	143/145TC
26.0	1.1	1797	2.94	15.00	44.17	2062	1026	-	-	HW030+NMRV-P063	143/145TC
26.0	1.1	1797	2.94	15.00	44.17	1928	1026	HW030+NMRV-P063	TS80C6	-	-
40.0	1.4	1205	2.94	15.00	44.17	1672	889	HW030+NMRV-P063	TH80B4	-	-
40.0	1.4	1205	2.94	15.00	44.17	1672	889	HW030+NMRV-P063	TP80B4	-	-
40.0	1.4	1205	2.94	15.00	44.17	1672	889	HW030+NMRV-P063	TS80B4	-	-
24.0	3.5	2015	3.11	15.00	46.58	7132	1723	-	-	HW040+NMRV-P110	56C
24.0	3.5	2015	3.11	15.00	46.58	7132	1723	-	-	HW040+NMRV-P110	143/145TC
24.0	3.4	2015	3.11	15.00	46.58	6902	1723	HW040+NMRV-P110	TS80C6	-	-
24.0	3.4	2015	3.11	15.00	46.58	6902	1723	HW040+NMRV-P110	TH90S6	-	-
24.0	3.4	2015	3.11	15.00	46.58	6902	1723	HW040+NMRV-P110	TS90S6	-	-
24.0	2.9	1990	3.11	15.00	46.58	5721	1364	-	-	HW040+NMRV-P090	56C
24.0	2.9	1990	3.11	15.00	46.58	5721	1364	-	-	HW040+NMRV-P090	143/145TC
24.0	2.7	1990	3.11	15.00	46.58	5288	1364	HW040+NMRV-P090	TS80C6	-	-
24.0	2.7	1990	3.11	15.00	46.58	5288	1364	HW040+NMRV-P090	TH90S6	-	-
24.0	2.7	1990	3.11	15.00	46.58	5288	1364	HW040+NMRV-P090	TS90S6	-	-
38.0	3.4	1331	3.11	15.00	46.58	4584	1182	HW040+NMRV-P090	TH80B4	-	-
38.0	3.4	1331	3.11	15.00	46.58	4584	1182	HW040+NMRV-P090	TP80B4	-	-
38.0	3.4	1331	3.11	15.00	46.58	4584	1182	HW040+NMRV-P090	TS80B4	-	-
37.0	2.3	1333	4.75	10.00	47.50	3113	1075	-	-	HW030+NMRV-P075	56C
24.0	1.5	2047	4.75	10.00	47.50	3113	1240	-	-	HW030+NMRV-P075	56C
37.0	2.3	1333	4.75	10.00	47.50	3113	1075	-	-	HW030+NMRV-P075	143/145TC
24.0	1.5	2047	4.75	10.00	47.50	3113	1240	-	-	HW030+NMRV-P075	143/145TC
24.0	1.5	2047	4.75	10.00	47.50	3051	1240	HW030+NMRV-P075	TS80C6	-	-
37.0	2.0	1351	4.75	10.00	47.50	2646	1075	HW030+NMRV-P075	TH80B4	-	-
37.0	2.0	1351	4.75	10.00	47.50	2646	1075	HW030+NMRV-P075	TP80B4	-	-
37.0	2.0	1351	4.75	10.00	47.50	2646	1075	HW030+NMRV-P075	TS80B4	-	-
37.0	1.7	1317	4.75	10.00	47.50	2210	911	-	-	HW030+NMRV-P063	56C
24.0	1.1	2021	4.75	10.00	47.50	2210	1051	-	-	HW030+NMRV-P063	56C
37.0	1.7	1317	4.75	10.00	47.50	2210	911	-	-	HW030+NMRV-P063	143/145TC
24.0	1.1	2021	4.75	10.00	47.50	2210	1051	-	-	HW030+NMRV-P063	143/145TC
24.0	1.0	2021	4.75	10.00	47.50	2091	1051	HW030+NMRV-P063	TS80C6	-	-

1 HP

Output speed [rpm]	Service factor sf	Output torque [in-lbs]	Ratio Stage 1	Ratio Stage 2	Exact ratio i	Max. torque [in-lbs]	OHL Output shaft [lbs]	Gearmotor		Gear Reducer	
								Reducer	Motor	Reducer	NEMA C-input
37.0	1.4	1334	4.75	10.00	47.50	1813	911	HW030+NMRV-P063	TH80B4	-	-
37.0	1.4	1334	4.75	10.00	47.50	1813	911	HW030+NMRV-P063	TP80B4	-	-
37.0	1.4	1334	4.75	10.00	47.50	1813	911	HW030+NMRV-P063	TS80B4	-	-
20.0	1.4	2391	3.87	15.00	58.00	3355	1326	HW030+NMRV-P075	TS80C6	-	-
30.0	1.8	1593	3.87	15.00	58.00	2909	1149	HW030+NMRV-P075	TH80B4	-	-
30.0	1.8	1593	3.87	15.00	58.00	2909	1149	HW030+NMRV-P075	TP80B4	-	-
30.0	1.8	1593	3.87	15.00	58.00	2909	1149	HW030+NMRV-P075	TS80B4	-	-
30.0	1.6	1558	3.87	15.00	58.00	2546	1149	-	-	HW030+NMRV-P075	56C
20.0	1.1	2391	3.87	15.00	58.00	2546	1326	-	-	HW030+NMRV-P075	56C
30.0	1.6	1558	3.87	15.00	58.00	2546	1149	-	-	HW030+NMRV-P075	143/145TC
20.0	1.1	2391	3.87	15.00	58.00	2546	1326	-	-	HW030+NMRV-P075	143/145TC
30.0	1.5	1517	3.87	15.00	58.00	2258	974	-	-	HW030+NMRV-P063	56C
30.0	1.5	1517	3.87	15.00	58.00	2258	974	-	-	HW030+NMRV-P063	143/145TC
30.0	1.2	1552	3.87	15.00	58.00	1829	974	HW030+NMRV-P063	TH80B4	-	-
30.0	1.2	1552	3.87	15.00	58.00	1829	974	HW030+NMRV-P063	TP80B4	-	-
30.0	1.2	1552	3.87	15.00	58.00	1829	974	HW030+NMRV-P063	TS80B4	-	-
18.0	3.5	2620	3.11	20.00	62.11	9273	1896	-	-	HW040+NMRV-P110	56C
18.0	3.5	2620	3.11	20.00	62.11	9273	1896	-	-	HW040+NMRV-P110	143/145TC
18.0	3.4	2620	3.11	20.00	62.11	8976	1896	HW040+NMRV-P110	TS80C6	-	-
18.0	3.4	2620	3.11	20.00	62.11	8976	1896	HW040+NMRV-P110	TH90S6	-	-
18.0	3.4	2620	3.11	20.00	62.11	8976	1896	HW040+NMRV-P110	TS90S6	-	-
28.0	4.0	1753	3.11	20.00	62.11	6932	1644	HW040+NMRV-P110	TH80B4	-	-
28.0	4.0	1753	3.11	20.00	62.11	6932	1644	HW040+NMRV-P110	TP80B4	-	-
28.0	4.0	1753	3.11	20.00	62.11	6932	1644	HW040+NMRV-P110	TS80B4	-	-
28.0	3.7	1731	4.20	15.00	63.00	6326	1307	-	-	HW040+NMRV-P090	56C
18.0	2.4	2657	4.20	15.00	63.00	6326	1508	-	-	HW040+NMRV-P090	56C
28.0	3.7	1731	4.20	15.00	63.00	6326	1307	-	-	HW040+NMRV-P090	143/145TC
18.0	2.4	2657	4.20	15.00	63.00	6326	1508	-	-	HW040+NMRV-P090	143/145TC
18.0	2.2	2657	4.20	15.00	63.00	5847	1508	HW040+NMRV-P090	TS80C6	-	-
18.0	2.2	2657	4.20	15.00	63.00	5847	1508	HW040+NMRV-P090	TH90S6	-	-
18.0	2.2	2657	4.20	15.00	63.00	5847	1508	HW040+NMRV-P090	TS90S6	-	-
28.0	2.9	1766	4.20	15.00	63.00	5069	1307	HW040+NMRV-P090	TH80B4	-	-
28.0	2.9	1766	4.20	15.00	63.00	5069	1307	HW040+NMRV-P090	TP80B4	-	-
28.0	2.9	1766	4.20	15.00	63.00	5069	1307	HW040+NMRV-P090	TS80B4	-	-
16.0	1.2	2915	4.75	15.00	71.25	3595	1420	HW030+NMRV-P075	TS80C6	-	-
25.0	1.6	1934	4.75	15.00	71.25	3117	1231	HW030+NMRV-P075	TH80B4	-	-
25.0	1.6	1934	4.75	15.00	71.25	3117	1231	HW030+NMRV-P075	TP80B4	-	-
25.0	1.6	1934	4.75	15.00	71.25	3117	1231	HW030+NMRV-P075	TS80B4	-	-
25.0	1.4	1899	4.75	15.00	71.25	2726	1231	-	-	HW030+NMRV-P075	56C
25.0	1.4	1899	4.75	15.00	71.25	2726	1231	-	-	HW030+NMRV-P075	143/145TC
25.0	1.3	1849	4.75	15.00	71.25	2418	1043	-	-	HW030+NMRV-P063	56C

1 HP

Output speed [rpm]	Service factor sf	Output torque [in-lbs]	Ratio Stage 1	Ratio Stage 2	Exact ratio i	Max. torque [in-lbs]	OHL Output shaft [lbs]	Gearmotor		Gear Reducer	
								Reducer	Motor	Reducer	NEMA C-input
25.0	1.3	1849	4.75	15.00	71.25	2418	1043	-	-	HW030+NMRV-P063	143/145TC
25.0	1.0	1884	4.75	15.00	71.25	1960	1043	HW030+NMRV-P063	TH80B4	-	-
25.0	1.0	1884	4.75	15.00	71.25	1960	1043	HW030+NMRV-P063	TP80B4	-	-
25.0	1.0	1884	4.75	15.00	71.25	1960	1043	HW030+NMRV-P063	TS80B4	-	-
23.0	2.0	1971	3.87	20.00	77.33	3858	1265	-	-	HW030+NMRV-P075	56C
15.0	1.3	3026	3.87	20.00	77.33	3858	1459	-	-	HW030+NMRV-P075	56C
23.0	2.0	1971	3.87	20.00	77.33	3858	1265	-	-	HW030+NMRV-P075	143/145TC
15.0	1.3	3026	3.87	20.00	77.33	3858	1459	-	-	HW030+NMRV-P075	143/145TC
15.0	1.2	3026	3.87	20.00	77.33	3623	1459	HW030+NMRV-P075	TS80C6	-	-
23.0	1.5	2030	3.87	20.00	77.33	3057	1265	HW030+NMRV-P075	TH80B4	-	-
23.0	1.5	2030	3.87	20.00	77.33	3057	1265	HW030+NMRV-P075	TP80B4	-	-
23.0	1.5	2030	3.87	20.00	77.33	3057	1265	HW030+NMRV-P075	TS80B4	-	-
23.0	1.2	1917	3.87	20.00	77.33	2269	1072	-	-	HW030+NMRV-P063	56C
23.0	1.2	1917	3.87	20.00	77.33	2269	1072	-	-	HW030+NMRV-P063	143/145TC
15.0	3.2	3191	3.11	25.00	77.63	10333	2043	-	-	HW040+NMRV-P110	56C
15.0	3.2	3191	3.11	25.00	77.63	10333	2043	-	-	HW040+NMRV-P110	143/145TC
15.0	3.0	3191	3.11	25.00	77.63	9530	2043	HW040+NMRV-P110	TS80C6	-	-
15.0	3.0	3191	3.11	25.00	77.63	9530	2043	HW040+NMRV-P110	TH90S6	-	-
15.0	3.0	3191	3.11	25.00	77.63	9530	2043	HW040+NMRV-P110	TS90S6	-	-
23.0	3.4	2137	3.11	25.00	77.63	7335	1771	HW040+NMRV-P110	TH80B4	-	-
23.0	3.4	2137	3.11	25.00	77.63	7335	1771	HW040+NMRV-P110	TP80B4	-	-
23.0	3.4	2137	3.11	25.00	77.63	7335	1771	HW040+NMRV-P110	TS80B4	-	-
23.0	2.7	1997	3.11	25.00	77.63	5400	1401	-	-	HW040+NMRV-P090	56C
15.0	1.8	3065	3.11	25.00	77.63	5400	1617	-	-	HW040+NMRV-P090	56C
23.0	2.7	1997	3.11	25.00	77.63	5400	1401	-	-	HW040+NMRV-P090	143/145TC
15.0	1.8	3065	3.11	25.00	77.63	5400	1617	-	-	HW040+NMRV-P090	143/145TC
15.0	1.6	3065	3.11	25.00	77.63	4992	1617	HW040+NMRV-P090	TS80C6	-	-
15.0	1.6	3065	3.11	25.00	77.63	4992	1617	HW040+NMRV-P090	TH90S6	-	-
15.0	1.6	3065	3.11	25.00	77.63	4992	1617	HW040+NMRV-P090	TS90S6	-	-
23.0	1.9	2055	3.11	25.00	77.63	3927	1401	HW040+NMRV-P090	TH80B4	-	-
23.0	1.9	2055	3.11	25.00	77.63	3927	1401	HW040+NMRV-P090	TP80B4	-	-
23.0	1.9	2055	3.11	25.00	77.63	3927	1401	HW040+NMRV-P090	TS80B4	-	-
14.0	1.1	3333	5.45	15.00	81.82	3658	1487	HW030+NMRV-P075	TS80C6	-	-
21.0	1.5	2207	5.45	15.00	81.82	3264	1289	HW030+NMRV-P075	TH80B4	-	-
21.0	1.5	2207	5.45	15.00	81.82	3264	1289	HW030+NMRV-P075	TP80B4	-	-
21.0	1.5	2207	5.45	15.00	81.82	3264	1289	HW030+NMRV-P075	TS80B4	-	-
21.0	1.3	2172	5.45	15.00	81.82	2855	1289	-	-	HW030+NMRV-P075	56C
21.0	1.3	2172	5.45	15.00	81.82	2855	1289	-	-	HW030+NMRV-P075	143/145TC
21.0	1.2	2114	5.45	15.00	81.82	2532	1092	-	-	HW030+NMRV-P063	56C
21.0	3.7	2278	4.20	20.00	84.00	8403	1818	-	-	HW040+NMRV-P110	56C
14.0	2.4	3497	4.20	20.00	84.00	8403	2097	-	-	HW040+NMRV-P110	56C

1 HP

Output speed [rpm]	Service factor sf	Output torque [in-lbs]	Ratio Stage 1	Ratio Stage 2	Exact ratio i	Max. torque [in-lbs]	OHL Output shaft [lbs]	Gearmotor		Gear Reducer	
								Reducer	Motor	Reducer	NEMA C-input
21.0	3.7	2278	4.20	20.00	84.00	8403	1818	-	-	HW040+NMRV-P110	143/145TC
14.0	2.4	3497	4.20	20.00	84.00	8403	2097	-	-	HW040+NMRV-P110	143/145TC
21.0	3.6	2325	4.20	20.00	84.00	8301	1818	HW040+NMRV-P110	TH80B4	-	-
21.0	3.6	2325	4.20	20.00	84.00	8301	1818	HW040+NMRV-P110	TP80B4	-	-
21.0	3.6	2325	4.20	20.00	84.00	8301	1818	HW040+NMRV-P110	TS80B4	-	-
14.0	2.4	3497	4.20	20.00	84.00	8279	2097	HW040+NMRV-P110	TS80C6	-	-
14.0	2.4	3497	4.20	20.00	84.00	8279	2097	HW040+NMRV-P110	TH90S6	-	-
14.0	2.4	3497	4.20	20.00	84.00	8279	2097	HW040+NMRV-P110	TS90S6	-	-
21.0	2.7	2219	4.20	20.00	84.00	6068	1439	-	-	HW040+NMRV-P090	56C
14.0	1.8	3407	4.20	20.00	84.00	6068	1660	-	-	HW040+NMRV-P090	56C
21.0	2.7	2219	4.20	20.00	84.00	6068	1439	-	-	HW040+NMRV-P090	143/145TC
14.0	1.8	3407	4.20	20.00	84.00	6068	1660	-	-	HW040+NMRV-P090	143/145TC
14.0	1.6	3407	4.20	20.00	84.00	5608	1660	HW040+NMRV-P090	TS80C6	-	-
14.0	1.6	3407	4.20	20.00	84.00	5608	1660	HW040+NMRV-P090	TH90S6	-	-
14.0	1.6	3407	4.20	20.00	84.00	5608	1660	HW040+NMRV-P090	TS90S6	-	-
21.0	2.1	2266	4.20	20.00	84.00	4862	1439	HW040+NMRV-P090	TH80B4	-	-
21.0	2.1	2266	4.20	20.00	84.00	4862	1439	HW040+NMRV-P090	TP80B4	-	-
21.0	2.1	2266	4.20	20.00	84.00	4862	1439	HW040+NMRV-P090	TS80B4	-	-
20.0	1.7	2041	2.94	30.00	88.33	3541	1322	-	-	HW030+NMRV-P075	56C
13.0	1.1	3133	2.94	30.00	88.33	3541	1525	-	-	HW030+NMRV-P075	56C
20.0	1.7	2041	2.94	30.00	88.33	3541	1322	-	-	HW030+NMRV-P075	143/145TC
13.0	1.1	3133	2.94	30.00	88.33	3541	1525	-	-	HW030+NMRV-P075	143/145TC
13.0	1.1	3133	2.94	30.00	88.33	3313	1525	HW030+NMRV-P075	TS80C6	-	-
20.0	1.3	2129	2.94	30.00	88.33	2873	1322	HW030+NMRV-P075	TH80B4	-	-
20.0	1.3	2129	2.94	30.00	88.33	2873	1322	HW030+NMRV-P075	TP80B4	-	-
20.0	1.3	2129	2.94	30.00	88.33	2873	1322	HW030+NMRV-P075	TS80B4	-	-
20.0	1.1	1948	2.94	30.00	88.33	2211	1120	-	-	HW030+NMRV-P063	56C
20.0	1.1	1948	2.94	30.00	88.33	2211	1120	-	-	HW030+NMRV-P063	143/145TC
12.0	3.2	3457	3.11	30.00	93.16	11082	2171	-	-	HW040+NMRV-P110	56C
12.0	3.2	3457	3.11	30.00	93.16	11082	2171	-	-	HW040+NMRV-P110	143/145TC
12.0	3.0	3457	3.11	30.00	93.16	10385	2171	HW040+NMRV-P110	TS80C6	-	-
12.0	3.0	3457	3.11	30.00	93.16	10385	2171	HW040+NMRV-P110	TH90S6	-	-
12.0	3.0	3457	3.11	30.00	93.16	10385	2171	HW040+NMRV-P110	TS90S6	-	-
19.0	3.4	2357	3.11	30.00	93.16	8117	1882	HW040+NMRV-P110	TH80B4	-	-
19.0	3.4	2357	3.11	30.00	93.16	8117	1882	HW040+NMRV-P110	TP80B4	-	-
19.0	3.4	2357	3.11	30.00	93.16	8117	1882	HW040+NMRV-P110	TS80B4	-	-
19.0	2.7	2242	3.11	30.00	93.16	6145	1489	-	-	HW040+NMRV-P090	56C
12.0	1.8	3442	3.11	30.00	93.16	6145	1718	-	-	HW040+NMRV-P090	56C
19.0	2.7	2242	3.11	30.00	93.16	6145	1489	-	-	HW040+NMRV-P090	143/145TC
12.0	1.8	3442	3.11	30.00	93.16	6145	1718	-	-	HW040+NMRV-P090	143/145TC
12.0	1.7	3442	3.11	30.00	93.16	5680	1718	HW040+NMRV-P090	TS80C6	-	-



1 HP

Output speed [rpm]	Service factor sf	Output torque [in-lbs]	Ratio Stage 1	Ratio Stage 2	Exact ratio i	Max. torque [in-lbs]	OHL Output shaft [lbs]	Gearmotor		Gear Reducer	
								Reducer	Motor	Reducer	NEMA C-input
12.0	1.7	3442	3.11	30.00	93.16	5680	1718	HW040+NMRV-P090	TH90S6	-	-
12.0	1.7	3442	3.11	30.00	93.16	5680	1718	HW040+NMRV-P090	TS90S6	-	-
19.0	2.1	2330	3.11	30.00	93.16	4924	1489	HW040+NMRV-P090	TH80B4	-	-
19.0	2.1	2330	3.11	30.00	93.16	4924	1489	HW040+NMRV-P090	TP80B4	-	-
19.0	2.1	2330	3.11	30.00	93.16	4924	1489	HW040+NMRV-P090	TS80B4	-	-
18.0	1.7	2398	4.75	20.00	95.00	4065	1355	-	-	HW030+NMRV-P075	56C
12.0	1.1	3681	4.75	20.00	95.00	4065	1563	-	-	HW030+NMRV-P075	56C
18.0	1.7	2398	4.75	20.00	95.00	4065	1355	-	-	HW030+NMRV-P075	143/145TC
12.0	1.1	3681	4.75	20.00	95.00	4065	1563	-	-	HW030+NMRV-P075	143/145TC
12.0	1.0	3681	4.75	20.00	95.00	3857	1563	HW030+NMRV-P075	TS80C6	-	-
18.0	1.4	2456	4.75	20.00	95.00	3366	1355	HW030+NMRV-P075	TH80B4	-	-
18.0	1.4	2456	4.75	20.00	95.00	3366	1355	HW030+NMRV-P075	TP80B4	-	-
18.0	1.4	2456	4.75	20.00	95.00	3366	1355	HW030+NMRV-P075	TS80B4	-	-
18.0	1.0	2331	4.75	20.00	95.00	2383	1148	-	-	HW030+NMRV-P063	56C
18.0	1.0	2331	4.75	20.00	95.00	2383	1148	-	-	HW030+NMRV-P063	143/145TC
17.0	3.7	2774	4.20	25.00	105.00	10232	1958	-	-	HW040+NMRV-P110	56C
11.0	2.4	4259	4.20	25.00	105.00	10232	2259	-	-	HW040+NMRV-P110	56C
17.0	3.7	2774	4.20	25.00	105.00	10232	1958	-	-	HW040+NMRV-P110	143/145TC
11.0	2.4	4259	4.20	25.00	105.00	10232	2259	-	-	HW040+NMRV-P110	143/145TC
11.0	2.4	4259	4.20	25.00	105.00	10083	2259	HW040+NMRV-P110	TS80C6	-	-
11.0	2.4	4259	4.20	25.00	105.00	10083	2259	HW040+NMRV-P110	TH90S6	-	-
11.0	2.4	4259	4.20	25.00	105.00	10083	2259	HW040+NMRV-P110	TS90S6	-	-
17.0	3.2	2833	4.20	25.00	105.00	8976	1958	HW040+NMRV-P110	TH80B4	-	-
17.0	3.2	2833	4.20	25.00	105.00	8976	1958	HW040+NMRV-P110	TP80B4	-	-
17.0	3.2	2833	4.20	25.00	105.00	8976	1958	HW040+NMRV-P110	TS80B4	-	-
16.0	1.5	2738	5.45	20.00	109.09	4177	1419	-	-	HW030+NMRV-P075	56C
16.0	1.5	2738	5.45	20.00	109.09	4177	1419	-	-	HW030+NMRV-P075	143/145TC
16.0	1.3	2796	5.45	20.00	109.09	3525	1419	HW030+NMRV-P075	TH80B4	-	-
16.0	1.3	2796	5.45	20.00	109.09	3525	1419	HW030+NMRV-P075	TP80B4	-	-
16.0	1.3	2796	5.45	20.00	109.09	3525	1419	HW030+NMRV-P075	TS80B4	-	-
16.0	2.3	2880	5.50	20.00	110.00	6638	1574	-	-	HW040+NMRV-P090	56C
10.0	1.5	4421	5.50	20.00	110.00	6638	1816	-	-	HW040+NMRV-P090	56C
16.0	2.3	2880	5.50	20.00	110.00	6638	1574	-	-	HW040+NMRV-P090	143/145TC
10.0	1.5	4421	5.50	20.00	110.00	6638	1816	-	-	HW040+NMRV-P090	143/145TC
10.0	1.4	4421	5.50	20.00	110.00	6135	1816	HW040+NMRV-P090	TS80C6	-	-
10.0	1.4	4421	5.50	20.00	110.00	6135	1816	HW040+NMRV-P090	TH90S6	-	-
10.0	1.4	4421	5.50	20.00	110.00	6135	1816	HW040+NMRV-P090	TS90S6	-	-
16.0	1.8	2927	5.50	20.00	110.00	5319	1574	HW040+NMRV-P090	TH80B4	-	-
16.0	1.8	2927	5.50	20.00	110.00	5319	1574	HW040+NMRV-P090	TP80B4	-	-
16.0	1.8	2927	5.50	20.00	110.00	5319	1574	HW040+NMRV-P090	TS80B4	-	-
15.0	1.5	2631	3.87	30.00	116.00	3877	1448	-	-	HW030+NMRV-P075	56C

1 HP

Output speed [rpm]	Service factor sf	Output torque [in-lbs]	Ratio Stage 1	Ratio Stage 2	Exact ratio i	Max. torque [in-lbs]	OHL Output shaft [lbs]	Gearmotor		Gear Reducer	
								Reducer	Motor	Reducer	NEMA C-input
15.0	1.5	2631	3.87	30.00	116.00	3877	1448	-	-	HW030+NMRV-P075	143/145TC
15.0	1.2	2719	3.87	30.00	116.00	3144	1448	HW030+NMRV-P075	TH80B4	-	-
15.0	1.2	2719	3.87	30.00	116.00	3144	1448	HW030+NMRV-P075	TP80B4	-	-
15.0	1.2	2719	3.87	30.00	116.00	3144	1448	HW030+NMRV-P075	TS80B4	-	-
14.0	3.7	2979	4.20	30.00	126.00	10988	2081	-	-	HW040+NMRV-P110	56C
9.0	2.4	4573	4.20	30.00	126.00	10988	2320	-	-	HW040+NMRV-P110	56C
14.0	3.7	2979	4.20	30.00	126.00	10988	2081	-	-	HW040+NMRV-P110	143/145TC
9.0	2.4	4573	4.20	30.00	126.00	10988	2320	-	-	HW040+NMRV-P110	143/145TC
9.0	2.4	4573	4.20	30.00	126.00	10901	2320	HW040+NMRV-P110	TS80C6	-	-
9.0	2.4	4573	4.20	30.00	126.00	10901	2320	HW040+NMRV-P110	TH90S6	-	-
9.0	2.4	4573	4.20	30.00	126.00	10901	2320	HW040+NMRV-P110	TS90S6	-	-
14.0	3.2	3084	4.20	30.00	126.00	9812	2081	HW040+NMRV-P110	TH80B4	-	-
14.0	3.2	3084	4.20	30.00	126.00	9812	2081	HW040+NMRV-P110	TP80B4	-	-
14.0	3.2	3084	4.20	30.00	126.00	9812	2081	HW040+NMRV-P110	TS80B4	-	-
14.0	2.3	2977	4.20	30.00	126.00	6795	1647	-	-	HW040+NMRV-P090	56C
9.0	1.5	4570	4.20	30.00	126.00	6795	1839	-	-	HW040+NMRV-P090	56C
14.0	2.3	2977	4.20	30.00	126.00	6795	1647	-	-	HW040+NMRV-P090	143/145TC
9.0	1.5	4570	4.20	30.00	126.00	6795	1839	-	-	HW040+NMRV-P090	143/145TC
9.0	1.4	4570	4.20	30.00	126.00	6281	1839	HW040+NMRV-P090	TS80C6	-	-
9.0	1.4	4570	4.20	30.00	126.00	6281	1839	HW040+NMRV-P090	TH90S6	-	-
9.0	1.4	4570	4.20	30.00	126.00	6281	1839	HW040+NMRV-P090	TS90S6	-	-
14.0	1.8	3065	4.20	30.00	126.00	5445	1647	HW040+NMRV-P090	TH80B4	-	-
14.0	1.8	3065	4.20	30.00	126.00	5445	1647	HW040+NMRV-P090	TP80B4	-	-
14.0	1.8	3065	4.20	30.00	126.00	5445	1647	HW040+NMRV-P090	TS80B4	-	-
13.0	1.1	3278	5.45	25.00	136.36	3707	1528	-	-	HW030+NMRV-P075	56C
13.0	1.1	3278	5.45	25.00	136.36	3707	1528	-	-	HW030+NMRV-P075	143/145TC
13.0	2.4	3600	5.50	25.00	137.50	8574	2143	-	-	HW040+NMRV-P110	56C
8.0	1.6	5527	5.50	25.00	137.50	8574	2320	-	-	HW040+NMRV-P110	56C
13.0	2.4	3600	5.50	25.00	137.50	8574	2143	-	-	HW040+NMRV-P110	143/145TC
8.0	1.6	5527	5.50	25.00	137.50	8574	2320	-	-	HW040+NMRV-P110	143/145TC
8.0	1.5	5527	5.50	25.00	137.50	8475	2320	HW040+NMRV-P110	TS80C6	-	-
8.0	1.5	5527	5.50	25.00	137.50	8475	2320	HW040+NMRV-P110	TH90S6	-	-
8.0	1.5	5527	5.50	25.00	137.50	8475	2320	HW040+NMRV-P110	TS90S6	-	-
13.0	2.3	3659	5.50	25.00	137.50	8302	2143	HW040+NMRV-P110	TH80B4	-	-
13.0	2.3	3659	5.50	25.00	137.50	8302	2143	HW040+NMRV-P110	TP80B4	-	-
13.0	2.3	3659	5.50	25.00	137.50	8302	2143	HW040+NMRV-P110	TS80B4	-	-
13.0	1.8	3455	5.50	25.00	137.50	6191	1696	-	-	HW040+NMRV-P090	56C
8.0	1.2	5304	5.50	25.00	137.50	6191	1839	-	-	HW040+NMRV-P090	56C
13.0	1.8	3455	5.50	25.00	137.50	6191	1696	-	-	HW040+NMRV-P090	143/145TC
8.0	1.2	5304	5.50	25.00	137.50	6191	1839	-	-	HW040+NMRV-P090	143/145TC
8.0	1.1	5304	5.50	25.00	137.50	5925	1839	HW040+NMRV-P090	TS80C6	-	-

1 HP

Output speed [rpm]	Service factor sf	Output torque [in-lbs]	Ratio Stage 1	Ratio Stage 2	Exact ratio i	Max. torque [in-lbs]	OHL Output shaft [lbs]	Gearmotor		Gear Reducer	
								Reducer	Motor	Reducer	NEMA C-input
8.0	1.1	5304	5.50	25.00	137.50	5925	1839	HW040+NMRV-P090	TH90S6	-	-
8.0	1.1	5304	5.50	25.00	137.50	5925	1839	HW040+NMRV-P090	TS90S6	-	-
13.0	1.5	3514	5.50	25.00	137.50	5235	1696	HW040+NMRV-P090	TH80B4	-	-
13.0	1.5	3514	5.50	25.00	137.50	5235	1696	HW040+NMRV-P090	TP80B4	-	-
13.0	1.5	3514	5.50	25.00	137.50	5235	1696	HW040+NMRV-P090	TS80B4	-	-
12.0	1.3	3196	4.75	30.00	142.50	4152	1551	-	-	HW030+NMRV-P075	56C
12.0	1.3	3196	4.75	30.00	142.50	4152	1551	-	-	HW030+NMRV-P075	143/145TC
12.0	1.0	3284	4.75	30.00	142.50	3369	1551	HW030+NMRV-P075	TH80B4	-	-
12.0	1.0	3284	4.75	30.00	142.50	3369	1551	HW030+NMRV-P075	TP80B4	-	-
12.0	1.0	3284	4.75	30.00	142.50	3369	1551	HW030+NMRV-P075	TS80B4	-	-
11.0	1.2	3236	3.87	40.00	154.67	3763	1594	-	-	HW030+NMRV-P075	56C
11.0	1.2	3236	3.87	40.00	154.67	3763	1594	-	-	HW030+NMRV-P075	143/145TC
11.0	2.7	3464	3.11	50.00	155.26	9289	2231	-	-	HW040+NMRV-P110	56C
7.0	1.7	5318	3.11	50.00	155.26	9289	2320	-	-	HW040+NMRV-P110	56C
11.0	2.7	3464	3.11	50.00	155.26	9289	2231	-	-	HW040+NMRV-P110	143/145TC
7.0	1.7	5318	3.11	50.00	155.26	9289	2320	-	-	HW040+NMRV-P110	143/145TC
7.0	1.6	5318	3.11	50.00	155.26	8755	2320	HW040+NMRV-P110	TH90S6	-	-
7.0	1.6	5318	3.11	50.00	155.26	8755	2320	HW040+NMRV-P110	TS90S6	-	-
7.0	1.6	5318	3.11	50.00	155.26	8755	2320	HW040+NMRV-P110	TS80C6	-	-
11.0	2.0	3611	3.11	50.00	155.26	7326	2231	HW040+NMRV-P110	TH80B4	-	-
11.0	2.0	3611	3.11	50.00	155.26	7326	2231	HW040+NMRV-P110	TP80B4	-	-
11.0	2.0	3611	3.11	50.00	155.26	7326	2231	HW040+NMRV-P110	TS80B4	-	-
7.0	1.0	5008	3.11	50.00	155.26	5173	1839	-	-	HW040+NMRV-P090	143/145TC
11.0	1.6	3262	3.11	50.00	155.26	5173	1766	-	-	HW040+NMRV-P090	56C
7.0	1.0	5008	3.11	50.00	155.26	5173	1839	-	-	HW040+NMRV-P090	56C
11.0	1.6	3262	3.11	50.00	155.26	5173	1766	-	-	HW040+NMRV-P090	143/145TC
11.0	1.2	3438	3.11	50.00	155.26	4139	1766	HW040+NMRV-P090	TH80B4	-	-
11.0	1.2	3438	3.11	50.00	155.26	4139	1766	HW040+NMRV-P090	TP80B4	-	-
11.0	1.2	3438	3.11	50.00	155.26	4139	1766	HW040+NMRV-P090	TS80B4	-	-
11.0	1.2	3646	5.45	30.00	163.64	4348	1624	-	-	HW030+NMRV-P075	56C
11.0	1.2	3646	5.45	30.00	163.64	4348	1624	-	-	HW030+NMRV-P075	143/145TC
11.0	1.9	3849	5.50	30.00	165.00	7434	1802	-	-	HW040+NMRV-P090	56C
7.0	1.3	5909	5.50	30.00	165.00	7434	1839	-	-	HW040+NMRV-P090	56C
11.0	1.9	3849	5.50	30.00	165.00	7434	1802	-	-	HW040+NMRV-P090	143/145TC
7.0	1.3	5909	5.50	30.00	165.00	7434	1839	-	-	HW040+NMRV-P090	143/145TC
7.0	1.2	5909	5.50	30.00	165.00	6871	1839	HW040+NMRV-P090	TS80C6	-	-
7.0	1.2	5909	5.50	30.00	165.00	6871	1839	HW040+NMRV-P090	TH90S6	-	-
7.0	1.2	5909	5.50	30.00	165.00	6871	1839	HW040+NMRV-P090	TS90S6	-	-
11.0	1.5	3937	5.50	30.00	165.00	5957	1802	HW040+NMRV-P090	TH80B4	-	-
11.0	1.5	3937	5.50	30.00	165.00	5957	1802	HW040+NMRV-P090	TP80B4	-	-
11.0	1.5	3937	5.50	30.00	165.00	5957	1802	HW040+NMRV-P090	TS80B4	-	-

1 HP

Output speed [rpm]	Service factor sf	Output torque [in-lbs]	Ratio Stage 1	Ratio Stage 2	Exact ratio i	Max. torque [in-lbs]	OHL Output shaft [lbs]	Gearmotor		Gear Reducer	
								Reducer	Motor	Reducer	NEMA C-input
10.0	2.8	3854	4.20	40.00	168.00	10790	2291	-	-	HW040+NMRV-P110	56C
7.0	1.8	5916	4.20	40.00	168.00	10790	2320	-	-	HW040+NMRV-P110	56C
10.0	2.8	3854	4.20	40.00	168.00	10790	2291	-	-	HW040+NMRV-P110	143/145TC
7.0	1.8	5916	4.20	40.00	168.00	10790	2320	-	-	HW040+NMRV-P110	143/145TC
7.0	1.8	5916	4.20	40.00	168.00	10558	2320	HW040+NMRV-P110	TS80C6	-	-
7.0	1.8	5916	4.20	40.00	168.00	10558	2320	HW040+NMRV-P110	TH90S6	-	-
7.0	1.8	5916	4.20	40.00	168.00	10558	2320	HW040+NMRV-P110	TS90S6	-	-
10.0	2.3	3994	4.20	40.00	168.00	8990	2291	HW040+NMRV-P110	TH80B4	-	-
10.0	2.3	3994	4.20	40.00	168.00	8990	2291	HW040+NMRV-P110	TP80B4	-	-
10.0	2.3	3994	4.20	40.00	168.00	8990	2291	HW040+NMRV-P110	TS80B4	-	-
9.0	2.1	3915	3.11	60.00	186.32	8114	2320	-	-	HW040+NMRV-P110	56C
6.0	1.4	6009	3.11	60.00	186.32	8114	2320	-	-	HW040+NMRV-P110	56C
9.0	2.1	3915	3.11	60.00	186.32	8114	2320	-	-	HW040+NMRV-P110	143/145TC
6.0	1.4	6009	3.11	60.00	186.32	8114	2320	-	-	HW040+NMRV-P110	143/145TC
6.0	1.3	6009	3.11	60.00	186.32	7684	2320	HW040+NMRV-P110	TS80C6	-	-
6.0	1.3	6009	3.11	60.00	186.32	7684	2320	HW040+NMRV-P110	TH90S6	-	-
6.0	1.3	6009	3.11	60.00	186.32	7684	2320	HW040+NMRV-P110	TS90S6	-	-
9.0	1.6	4126	3.11	60.00	186.32	6543	2320	HW040+NMRV-P110	TH80B4	-	-
9.0	1.6	4126	3.11	60.00	186.32	6543	2320	HW040+NMRV-P110	TP80B4	-	-
9.0	1.6	4126	3.11	60.00	186.32	6543	2320	HW040+NMRV-P110	TS80B4	-	-
9.0	1.2	3653	3.11	60.00	186.32	4523	1839	-	-	HW040+NMRV-P090	56C
9.0	1.2	3653	3.11	60.00	186.32	4523	1839	-	-	HW040+NMRV-P090	143/145TC
8.0	2.3	4969	5.50	40.00	220.00	11262	2320	-	-	HW040+NMRV-P110	56C
5.0	1.5	7627	5.50	40.00	220.00	11262	2320	-	-	HW040+NMRV-P110	56C
8.0	2.3	4969	5.50	40.00	220.00	11262	2320	-	-	HW040+NMRV-P110	143/145TC
5.0	1.5	7627	5.50	40.00	220.00	11262	2320	-	-	HW040+NMRV-P110	143/145TC
5.0	1.5	7627	5.50	40.00	220.00	11144	2320	HW040+NMRV-P110	TS80C6	-	-
5.0	1.5	7627	5.50	40.00	220.00	11144	2320	HW040+NMRV-P110	TH90S6	-	-
5.0	1.5	7627	5.50	40.00	220.00	11144	2320	HW040+NMRV-P110	TS90S6	-	-
8.0	1.9	5109	5.50	40.00	220.00	9867	2320	HW040+NMRV-P110	TH80B4	-	-
8.0	1.9	5109	5.50	40.00	220.00	9867	2320	HW040+NMRV-P110	TP80B4	-	-
8.0	1.9	5109	5.50	40.00	220.00	9867	2320	HW040+NMRV-P110	TS80B4	-	-
8.0	1.4	4746	5.50	40.00	220.00	6779	1839	-	-	HW040+NMRV-P090	56C
8.0	1.4	4746	5.50	40.00	220.00	6779	1839	-	-	HW040+NMRV-P090	143/145TC
8.0	1.1	4863	5.50	40.00	220.00	5432	1839	HW040+NMRV-P090	TH80B4	-	-
8.0	1.1	4863	5.50	40.00	220.00	5432	1839	HW040+NMRV-P090	TP80B4	-	-
8.0	1.1	4863	5.50	40.00	220.00	5432	1839	HW040+NMRV-P090	TS80B4	-	-
4.5	1.1	7923	4.20	60.00	252.00	8701	2320	HW040+NMRV-P110	TS80C6	-	-
4.5	1.1	7923	4.20	60.00	252.00	8701	2320	HW040+NMRV-P110	TH90S6	-	-
4.5	1.1	7923	4.20	60.00	252.00	8701	2320	HW040+NMRV-P110	TS90S6	-	-
7.0	1.7	5161	4.20	60.00	252.00	8574	2320	-	-	HW040+NMRV-P110	56C

1 HP

Output speed [rpm]	Service factor sf	Output torque [in-lbs]	Ratio Stage 1	Ratio Stage 2	Exact ratio i	Max. torque [in-lbs]	OHL Output shaft [lbs]	Gearmotor		Gear Reducer	
								Reducer	Motor	Reducer	NEMA C-input
4.5	1.1	7923	4.20	60.00	252.00	8574	2320	-	-	HWO40+NMRV-P110	56C
7.0	1.7	5161	4.20	60.00	252.00	8574	2320	-	-	HWO40+NMRV-P110	143/145TC
4.5	1.1	7923	4.20	60.00	252.00	8574	2320	-	-	HWO40+NMRV-P110	143/145TC
7.0	1.4	5372	4.20	60.00	252.00	7396	2320	HWO40+NMRV-P110	TH80B4	-	-
7.0	1.4	5372	4.20	60.00	252.00	7396	2320	HWO40+NMRV-P110	TP80B4	-	-
7.0	1.4	5372	4.20	60.00	252.00	7396	2320	HWO40+NMRV-P110	TS80B4	-	-
4.1	1.1	9107	5.50	50.00	275.00	10356	2320	HWO40+NMRV-P110	TS80C6	-	-
4.1	1.1	9107	5.50	50.00	275.00	10356	2320	HWO40+NMRV-P110	TH90S6	-	-
4.1	1.1	9107	5.50	50.00	275.00	10356	2320	HWO40+NMRV-P110	TS90S6	-	-
6.0	1.7	5932	5.50	50.00	275.00	10245	2320	-	-	HWO40+NMRV-P110	56C
4.1	1.1	9107	5.50	50.00	275.00	10245	2320	-	-	HWO40+NMRV-P110	56C
6.0	1.7	5932	5.50	50.00	275.00	10245	2320	-	-	HWO40+NMRV-P110	143/145TC
4.1	1.1	9107	5.50	50.00	275.00	10245	2320	-	-	HWO40+NMRV-P110	143/145TC
6.0	1.5	6079	5.50	50.00	275.00	9111	2320	HWO40+NMRV-P110	TH80B4	-	-
6.0	1.5	6079	5.50	50.00	275.00	9111	2320	HWO40+NMRV-P110	TP80B4	-	-
6.0	1.5	6079	5.50	50.00	275.00	9111	2320	HWO40+NMRV-P110	TS80B4	-	-
6.0	1.0	5534	5.50	50.00	275.00	5674	1839	-	-	HWO40+NMRV-P090	56C
6.0	1.0	5534	5.50	50.00	275.00	5674	1839	-	-	HWO40+NMRV-P090	143/145TC
6.0	1.6	6542	6.09	50.00	304.55	10245	2320	-	-	HWO40+NMRV-P110	56C
3.7	1.0	10042	6.09	50.00	304.55	10245	2320	-	-	HWO40+NMRV-P110	56C
6.0	1.6	6542	6.09	50.00	304.55	10245	2320	-	-	HWO40+NMRV-P110	143/145TC
3.7	1.0	10042	6.09	50.00	304.55	10245	2320	-	-	HWO40+NMRV-P110	143/145TC
3.7	1.0	10042	6.09	50.00	304.55	10199	2320	HWO40+NMRV-P110	TS80C6	-	-
3.7	1.0	10042	6.09	50.00	304.55	10199	2320	HWO40+NMRV-P110	TH90S6	-	-
3.7	1.0	10042	6.09	50.00	304.55	10199	2320	HWO40+NMRV-P110	TS90S6	-	-
6.0	1.4	6688	6.09	50.00	304.55	9335	2320	HWO40+NMRV-P110	TH80B4	-	-
6.0	1.4	6688	6.09	50.00	304.55	9335	2320	HWO40+NMRV-P110	TP80B4	-	-
6.0	1.4	6688	6.09	50.00	304.55	9335	2320	HWO40+NMRV-P110	TS80B4	-	-
5.0	1.3	6641	5.50	60.00	330.00	8876	2320	-	-	HWO40+NMRV-P110	56C
5.0	1.3	6641	5.50	60.00	330.00	8876	2320	-	-	HWO40+NMRV-P110	143/145TC
5.0	1.2	6852	5.50	60.00	330.00	7968	2320	HWO40+NMRV-P110	TH80B4	-	-
5.0	1.2	6852	5.50	60.00	330.00	7968	2320	HWO40+NMRV-P110	TP80B4	-	-
5.0	1.2	6852	5.50	60.00	330.00	7968	2320	HWO40+NMRV-P110	TS80B4	-	-
4.6	1.1	8166	7.67	50.00	383.33	8934	2320	-	-	HWO40+NMRV-P110	56C
4.6	1.1	8166	7.67	50.00	383.33	8934	2320	-	-	HWO40+NMRV-P110	143/145TC
3.8	1.0	9108	7.67	60.00	460.00	9162	2320	-	-	HWO40+NMRV-P110	56C
3.8	1.0	9108	7.67	60.00	460.00	9162	2320	-	-	HWO40+NMRV-P110	143/145TC

1.5 HP

Output speed [rpm]	Service factor sf	Output torque [in-lbs]	Ratio Stage 1	Ratio Stage 2	Exact ratio i	Max. torque [in-lbs]	OHL Output shaft [lbs]	Gearmotor		Gear Reducer	
								Reducer	Motor	Reducer	NEMA C-input
79.0	2.6	953	2.94	7.50	22.08	2500	833	-	-	HW030+NMRV-P075	56C
79.0	2.6	953	2.94	7.50	22.08	2500	833	-	-	HW030+NMRV-P075	143/145TC
52.0	1.7	1462	2.94	7.50	22.08	2500	961	-	-	HW030+NMRV-P075	143/145TC
79.0	2.2	966	2.94	7.50	22.08	2133	833	HW030+NMRV-P075	TS80D4	-	-
79.0	2.0	957	2.94	7.50	22.08	1878	706	-	-	HW030+NMRV-P063	56C
79.0	2.0	957	2.94	7.50	22.08	1878	706	-	-	HW030+NMRV-P063	143/145TC
52.0	1.3	1469	2.94	7.50	22.08	1878	814	-	-	HW030+NMRV-P063	143/145TC
79.0	1.6	976	2.94	7.50	22.08	1538	706	HW030+NMRV-P063	TS80D4	-	-
75.0	3.7	1019	3.11	7.50	23.29	3775	1185	-	-	HW040+NMRV-P110	56C
75.0	3.7	1019	3.11	7.50	23.29	3775	1185	-	-	HW040+NMRV-P110	143/145TC
49.0	2.4	1564	3.11	7.50	23.29	3775	1367	-	-	HW040+NMRV-P110	143/145TC
75.0	3.7	1015	3.11	7.50	23.29	3762	938	-	-	HW040+NMRV-P090	56C
75.0	3.7	1015	3.11	7.50	23.29	3762	938	-	-	HW040+NMRV-P090	143/145TC
49.0	2.4	1559	3.11	7.50	23.29	3762	1082	-	-	HW040+NMRV-P090	143/145TC
75.0	3.6	1038	3.11	7.50	23.29	3723	1185	HW040+NMRV-P110	TS80D4	-	-
75.0	3.6	1038	3.11	7.50	23.29	3723	1185	HW040+NMRV-P110	TH90S4	-	-
75.0	3.6	1038	3.11	7.50	23.29	3723	1185	HW040+NMRV-P110	TP90S4	-	-
75.0	3.6	1038	3.11	7.50	23.29	3723	1185	HW040+NMRV-P110	TS90S4	-	-
75.0	3.6	1028	3.11	7.50	23.29	3672	938	HW040+NMRV-P090	TS80D4	-	-
75.0	3.6	1028	3.11	7.50	23.29	3672	938	HW040+NMRV-P090	TH90S4	-	-
75.0	3.6	1028	3.11	7.50	23.29	3672	938	HW040+NMRV-P090	TP90S4	-	-
75.0	3.6	1028	3.11	7.50	23.29	3672	938	HW040+NMRV-P090	TS90S4	-	-
49.0	2.3	1564	3.11	7.50	23.29	3640	1367	HW040+NMRV-P110	TH90L6	-	-
49.0	2.3	1559	3.11	7.50	23.29	3616	1082	HW040+NMRV-P090	TH90L6	-	-
60.0	2.0	1244	3.87	7.50	29.00	2486	912	-	-	HW030+NMRV-P075	56C
60.0	2.0	1244	3.87	7.50	29.00	2486	912	-	-	HW030+NMRV-P075	143/145TC
39.0	1.3	1909	3.87	7.50	29.00	2486	1052	-	-	HW030+NMRV-P075	143/145TC
60.0	1.9	1257	3.87	7.50	29.00	2377	912	HW030+NMRV-P075	TS80D4	-	-
60.0	1.7	1245	3.87	7.50	29.00	2056	773	-	-	HW030+NMRV-P063	56C
60.0	1.7	1245	3.87	7.50	29.00	2056	773	-	-	HW030+NMRV-P063	143/145TC
39.0	1.1	1912	3.87	7.50	29.00	2056	891	-	-	HW030+NMRV-P063	143/145TC
60.0	1.3	1265	3.87	7.50	29.00	1682	773	HW030+NMRV-P063	TS80D4	-	-
56.0	3.7	1327	3.11	10.00	31.05	4915	1305	-	-	HW040+NMRV-P110	56C
56.0	3.7	1327	3.11	10.00	31.05	4915	1305	-	-	HW040+NMRV-P110	143/145TC
37.0	2.4	2037	3.11	10.00	31.05	4915	1505	-	-	HW040+NMRV-P110	143/145TC
56.0	3.7	1327	3.11	10.00	31.05	4915	1033	-	-	HW040+NMRV-P090	56C
56.0	3.7	1327	3.11	10.00	31.05	4915	1033	-	-	HW040+NMRV-P090	143/145TC
37.0	2.4	2037	3.11	10.00	31.05	4915	1191	-	-	HW040+NMRV-P090	143/145TC
56.0	3.6	1352	3.11	10.00	31.05	4851	1305	HW040+NMRV-P110	TS80D4	-	-
56.0	3.6	1352	3.11	10.00	31.05	4851	1305	HW040+NMRV-P110	TH90S4	-	-
56.0	3.6	1352	3.11	10.00	31.05	4851	1305	HW040+NMRV-P110	TP90S4	-	-

1.5 HP

Output speed [rpm]	Service factor sf	Output torque [in-lbs]	Ratio Stage 1	Ratio Stage 2	Exact ratio i	Max. torque [in-lbs]	OHL Output shaft [lbs]	Gearmotor		Gear Reducer	
								Reducer	Motor	Reducer	NEMA C-input
56.0	3.6	1352	3.11	10.00	31.05	4851	1305	HW040+NMRV-P110	TS90S4	-	-
37.0	2.3	2037	3.11	10.00	31.05	4740	1505	HW040+NMRV-P110	TH90L6	-	-
37.0	2.3	2037	3.11	10.00	31.05	4699	1191	HW040+NMRV-P090	TH90L6	-	-
56.0	3.0	1352	3.11	10.00	31.05	4074	1033	HW040+NMRV-P090	TS80D4	-	-
56.0	3.0	1352	3.11	10.00	31.05	4074	1033	HW040+NMRV-P090	TH90S4	-	-
56.0	3.0	1352	3.11	10.00	31.05	4074	1033	HW040+NMRV-P090	TP90S4	-	-
56.0	3.0	1352	3.11	10.00	31.05	4074	1033	HW040+NMRV-P090	TS90S4	-	-
45.0	1.8	1601	3.87	10.00	38.67	2907	1004	-	-	HW030+NMRV-P075	56C
45.0	1.8	1601	3.87	10.00	38.67	2907	1004	-	-	HW030+NMRV-P075	143/145TC
29.0	1.2	2457	3.87	10.00	38.67	2907	1158	-	-	HW030+NMRV-P075	143/145TC
45.0	1.5	1626	3.87	10.00	38.67	2469	1004	HW030+NMRV-P075	TS80D4	-	-
45.0	1.3	1581	3.87	10.00	38.67	2064	851	-	-	HW030+NMRV-P063	56C
45.0	1.3	1581	3.87	10.00	38.67	2064	851	-	-	HW030+NMRV-P063	143/145TC
45.0	1.1	1607	3.87	10.00	38.67	1692	851	HW030+NMRV-P063	TS80D4	-	-
42.0	2.5	1778	4.20	10.00	42.00	4471	1443	-	-	HW040+NMRV-P110	143/145TC
27.0	1.6	2729	4.20	10.00	42.00	4471	1665	-	-	HW040+NMRV-P110	143/145TC
42.0	2.5	1778	4.20	10.00	42.00	4471	1142	-	-	HW040+NMRV-P090	56C
42.0	2.5	1778	4.20	10.00	42.00	4471	1142	-	-	HW040+NMRV-P090	143/145TC
27.0	1.6	2729	4.20	10.00	42.00	4471	1317	-	-	HW040+NMRV-P090	143/145TC
42.0	2.5	1778	4.20	10.00	42.00	4471	1443	-	-	HW040+NMRV-P110	56C
27.0	1.6	2729	4.20	10.00	42.00	4392	1317	HW040+NMRV-P090	TH90L6	-	-
27.0	1.6	2729	4.20	10.00	42.00	4392	1665	HW040+NMRV-P110	TH90L6	-	-
42.0	2.4	1804	4.20	10.00	42.00	4373	1443	HW040+NMRV-P110	TS80D4	-	-
42.0	2.4	1804	4.20	10.00	42.00	4373	1443	HW040+NMRV-P110	TH90S4	-	-
42.0	2.4	1804	4.20	10.00	42.00	4373	1443	HW040+NMRV-P110	TP90S4	-	-
42.0	2.4	1804	4.20	10.00	42.00	4373	1443	HW040+NMRV-P110	TS90S4	-	-
42.0	2.4	1804	4.20	10.00	42.00	4373	1142	HW040+NMRV-P090	TS80D4	-	-
42.0	2.4	1804	4.20	10.00	42.00	4373	1142	HW040+NMRV-P090	TH90S4	-	-
42.0	2.4	1804	4.20	10.00	42.00	4373	1142	HW040+NMRV-P090	TP90S4	-	-
42.0	2.4	1804	4.20	10.00	42.00	4373	1142	HW040+NMRV-P090	TS90S4	-	-
40.0	1.5	1813	2.94	15.00	44.17	2658	1049	HW030+NMRV-P075	TS80D4	-	-
40.0	1.3	1762	2.94	15.00	44.17	2325	1049	-	-	HW030+NMRV-P075	56C
40.0	1.3	1762	2.94	15.00	44.17	2325	1049	-	-	HW030+NMRV-P075	143/145TC
40.0	1.2	1716	2.94	15.00	44.17	2062	889	-	-	HW030+NMRV-P063	56C
40.0	1.2	1716	2.94	15.00	44.17	2062	889	-	-	HW030+NMRV-P063	143/145TC
38.0	3.7	1925	3.11	15.00	46.58	7132	1494	-	-	HW040+NMRV-P110	56C
38.0	3.7	1925	3.11	15.00	46.58	7132	1494	-	-	HW040+NMRV-P110	143/145TC
24.0	2.4	2955	3.11	15.00	46.58	7132	1723	-	-	HW040+NMRV-P110	143/145TC
38.0	3.6	1977	3.11	15.00	46.58	7124	1494	HW040+NMRV-P110	TS80D4	-	-
38.0	3.6	1977	3.11	15.00	46.58	7124	1494	HW040+NMRV-P110	TH90S4	-	-
38.0	3.6	1977	3.11	15.00	46.58	7124	1494	HW040+NMRV-P110	TP90S4	-	-

1.5 HP

Output speed [rpm]	Service factor sf	Output torque [in-lbs]	Ratio Stage 1	Ratio Stage 2	Exact ratio i	Max. torque [in-lbs]	OHL Output shaft [lbs]	Gearmotor		Gear Reducer	
								Reducer	Motor	Reducer	NEMA C-input
38.0	3.6	1977	3.11	15.00	46.58	7124	1494	HW040+NMRV-P110	TS90S4	-	-
24.0	2.3	2955	3.11	15.00	46.58	6902	1723	HW040+NMRV-P110	TH90L6	-	-
38.0	3.0	1901	3.11	15.00	46.58	5721	1182	-	-	HW040+NMRV-P090	56C
38.0	3.0	1901	3.11	15.00	46.58	5721	1182	-	-	HW040+NMRV-P090	143/145TC
24.0	2.0	2918	3.11	15.00	46.58	5721	1364	-	-	HW040+NMRV-P090	143/145TC
24.0	1.8	2918	3.11	15.00	46.58	5288	1364	HW040+NMRV-P090	TH90L6	-	-
38.0	2.3	1953	3.11	15.00	46.58	4584	1182	HW040+NMRV-P090	TS80D4	-	-
38.0	2.3	1953	3.11	15.00	46.58	4584	1182	HW040+NMRV-P090	TH90S4	-	-
38.0	2.3	1953	3.11	15.00	46.58	4584	1182	HW040+NMRV-P090	TP90S4	-	-
38.0	2.3	1953	3.11	15.00	46.58	4584	1182	HW040+NMRV-P090	TS90S4	-	-
37.0	1.6	1956	4.75	10.00	47.50	3113	1075	-	-	HW030+NMRV-P075	56C
37.0	1.6	1956	4.75	10.00	47.50	3113	1075	-	-	HW030+NMRV-P075	143/145TC
24.0	1.0	3002	4.75	10.00	47.50	3113	1240	-	-	HW030+NMRV-P075	143/145TC
37.0	1.3	1982	4.75	10.00	47.50	2646	1075	HW030+NMRV-P075	TS80D4	-	-
37.0	1.1	1931	4.75	10.00	47.50	2210	911	-	-	HW030+NMRV-P063	56C
37.0	1.1	1931	4.75	10.00	47.50	2210	911	-	-	HW030+NMRV-P063	143/145TC
30.0	1.2	2336	3.87	15.00	58.00	2909	1149	HW030+NMRV-P075	TS80D4	-	-
30.0	1.1	2285	3.87	15.00	58.00	2546	1149	-	-	HW030+NMRV-P075	56C
30.0	1.1	2285	3.87	15.00	58.00	2546	1149	-	-	HW030+NMRV-P075	143/145TC
30.0	1.0	2225	3.87	15.00	58.00	2258	974	-	-	HW030+NMRV-P063	56C
30.0	1.0	2225	3.87	15.00	58.00	2258	974	-	-	HW030+NMRV-P063	143/145TC
28.0	3.7	2503	3.11	20.00	62.11	9273	1644	-	-	HW040+NMRV-P110	56C
28.0	3.7	2503	3.11	20.00	62.11	9273	1644	-	-	HW040+NMRV-P110	143/145TC
18.0	2.4	3842	3.11	20.00	62.11	9273	1896	-	-	HW040+NMRV-P110	143/145TC
18.0	2.3	3842	3.11	20.00	62.11	8976	1896	HW040+NMRV-P110	TH90L6	-	-
28.0	2.7	2572	3.11	20.00	62.11	6932	1644	HW040+NMRV-P110	TS80D4	-	-
28.0	2.7	2572	3.11	20.00	62.11	6932	1644	HW040+NMRV-P110	TH90S4	-	-
28.0	2.7	2572	3.11	20.00	62.11	6932	1644	HW040+NMRV-P110	TP90S4	-	-
28.0	2.7	2572	3.11	20.00	62.11	6932	1644	HW040+NMRV-P110	TS90S4	-	-
28.0	2.5	2539	4.20	15.00	63.00	6326	1307	-	-	HW040+NMRV-P090	56C
28.0	2.5	2539	4.20	15.00	63.00	6326	1307	-	-	HW040+NMRV-P090	143/145TC
18.0	1.6	3897	4.20	15.00	63.00	6326	1508	-	-	HW040+NMRV-P090	143/145TC
18.0	1.5	3897	4.20	15.00	63.00	5847	1508	HW040+NMRV-P090	TH90L6	-	-
28.0	2.0	2590	4.20	15.00	63.00	5069	1307	HW040+NMRV-P090	TS80D4	-	-
28.0	2.0	2590	4.20	15.00	63.00	5069	1307	HW040+NMRV-P090	TH90S4	-	-
28.0	2.0	2590	4.20	15.00	63.00	5069	1307	HW040+NMRV-P090	TP90S4	-	-
28.0	2.0	2590	4.20	15.00	63.00	5069	1307	HW040+NMRV-P090	TS90S4	-	-
25.0	1.1	2837	4.75	15.00	71.25	3117	1231	HW030+NMRV-P075	TS80D4	-	-
23.0	1.3	2891	3.87	20.00	77.33	3858	1265	-	-	HW030+NMRV-P075	56C
23.0	1.3	2891	3.87	20.00	77.33	3858	1265	-	-	HW030+NMRV-P075	143/145TC
23.0	1.0	2977	3.87	20.00	77.33	3057	1265	HW030+NMRV-P075	TS80D4	-	-



1.5 HP

Output speed [rpm]	Service factor sf	Output torque [in-lbs]	Ratio Stage 1	Ratio Stage 2	Exact ratio i	Max. torque [in-lbs]	OHL Output shaft [lbs]	Gearmotor		Gear Reducer	
								Reducer	Motor	Reducer	NEMA C-input
23.0	3.4	3049	3.11	25.00	77.63	10333	1771	-	-	HW040+NMRV-P110	56C
23.0	3.4	3049	3.11	25.00	77.63	10333	1771	-	-	HW040+NMRV-P110	143/145TC
15.0	2.2	4680	3.11	25.00	77.63	10333	2043	-	-	HW040+NMRV-P110	143/145TC
15.0	2.0	4680	3.11	25.00	77.63	9530	2043	HW040+NMRV-P110	TH90L6	-	-
23.0	2.3	3134	3.11	25.00	77.63	7335	1771	HW040+NMRV-P110	TS80D4	-	-
23.0	2.3	3134	3.11	25.00	77.63	7335	1771	HW040+NMRV-P110	TH90S4	-	-
23.0	2.3	3134	3.11	25.00	77.63	7335	1771	HW040+NMRV-P110	TP90S4	-	-
23.0	2.3	3134	3.11	25.00	77.63	7335	1771	HW040+NMRV-P110	TS90S4	-	-
23.0	1.8	2929	3.11	25.00	77.63	5400	1401	-	-	HW040+NMRV-P090	56C
23.0	1.8	2929	3.11	25.00	77.63	5400	1401	-	-	HW040+NMRV-P090	143/145TC
15.0	1.2	4496	3.11	25.00	77.63	5400	1617	-	-	HW040+NMRV-P090	143/145TC
15.0	1.1	4496	3.11	25.00	77.63	4992	1617	HW040+NMRV-P090	TH90L6	-	-
23.0	1.3	3014	3.11	25.00	77.63	3927	1401	HW040+NMRV-P090	TS80D4	-	-
23.0	1.3	3014	3.11	25.00	77.63	3927	1401	HW040+NMRV-P090	TH90S4	-	-
23.0	1.3	3014	3.11	25.00	77.63	3927	1401	HW040+NMRV-P090	TP90S4	-	-
23.0	1.3	3014	3.11	25.00	77.63	3927	1401	HW040+NMRV-P090	TS90S4	-	-
21.0	1.0	3236	5.45	15.00	81.82	3264	1289	HW030+NMRV-P075	TS80D4	-	-
21.0	2.5	3342	4.20	20.00	84.00	8403	1818	-	-	HW040+NMRV-P110	56C
21.0	2.5	3342	4.20	20.00	84.00	8403	1818	-	-	HW040+NMRV-P110	143/145TC
14.0	1.6	5130	4.20	20.00	84.00	8403	2097	-	-	HW040+NMRV-P110	143/145TC
21.0	2.4	3410	4.20	20.00	84.00	8301	1818	HW040+NMRV-P110	TS80D4	-	-
21.0	2.4	3410	4.20	20.00	84.00	8301	1818	HW040+NMRV-P110	TH90S4	-	-
21.0	2.4	3410	4.20	20.00	84.00	8301	1818	HW040+NMRV-P110	TP90S4	-	-
21.0	2.4	3410	4.20	20.00	84.00	8301	1818	HW040+NMRV-P110	TS90S4	-	-
14.0	1.6	5130	4.20	20.00	84.00	8279	2097	HW040+NMRV-P110	TH90L6	-	-
21.0	1.9	3255	4.20	20.00	84.00	6068	1439	-	-	HW040+NMRV-P090	56C
21.0	1.9	3255	4.20	20.00	84.00	6068	1439	-	-	HW040+NMRV-P090	143/145TC
14.0	1.2	4997	4.20	20.00	84.00	6068	1660	-	-	HW040+NMRV-P090	143/145TC
14.0	1.1	4997	4.20	20.00	84.00	5608	1660	HW040+NMRV-P090	TH90L6	-	-
21.0	1.5	3324	4.20	20.00	84.00	4862	1439	HW040+NMRV-P090	TS80D4	-	-
21.0	1.5	3324	4.20	20.00	84.00	4862	1439	HW040+NMRV-P090	TH90S4	-	-
21.0	1.5	3324	4.20	20.00	84.00	4862	1439	HW040+NMRV-P090	TP90S4	-	-
21.0	1.5	3324	4.20	20.00	84.00	4862	1439	HW040+NMRV-P090	TS90S4	-	-
20.0	1.2	2994	2.94	30.00	88.33	3541	1322	-	-	HW030+NMRV-P075	56C
20.0	1.2	2994	2.94	30.00	88.33	3541	1322	-	-	HW030+NMRV-P075	143/145TC
19.0	3.4	3303	3.11	30.00	93.16	11082	1882	-	-	HW040+NMRV-P110	56C
19.0	3.4	3303	3.11	30.00	93.16	11082	1882	-	-	HW040+NMRV-P110	143/145TC
12.0	2.2	5070	3.11	30.00	93.16	11082	2171	-	-	HW040+NMRV-P110	143/145TC
12.0	2.0	5070	3.11	30.00	93.16	10385	2171	HW040+NMRV-P110	TH90L6	-	-
19.0	2.3	3458	3.11	30.00	93.16	8117	1882	HW040+NMRV-P110	TS80D4	-	-
19.0	2.3	3458	3.11	30.00	93.16	8117	1882	HW040+NMRV-P110	TH90S4	-	-

1.5 HP

Output speed [rpm]	Service factor sf	Output torque [in-lbs]	Ratio Stage 1	Ratio Stage 2	Exact ratio i	Max. torque [in-lbs]	OHL Output shaft [lbs]	Gearmotor		Gear Reducer	
								Reducer	Motor	Reducer	NEMA C-input
19.0	2.3	3458	3.11	30.00	93.16	8117	1882	HW040+NMRV-P110	TP90S4	-	-
19.0	2.3	3458	3.11	30.00	93.16	8117	1882	HW040+NMRV-P110	TS90S4	-	-
19.0	1.9	3289	3.11	30.00	93.16	6145	1489	-	-	HW040+NMRV-P090	56C
19.0	1.9	3289	3.11	30.00	93.16	6145	1489	-	-	HW040+NMRV-P090	143/145TC
12.0	1.2	5048	3.11	30.00	93.16	6145	1718	-	-	HW040+NMRV-P090	143/145TC
12.0	1.1	5048	3.11	30.00	93.16	5680	1718	HW040+NMRV-P090	TH90L6	-	-
19.0	1.4	3417	3.11	30.00	93.16	4924	1489	HW040+NMRV-P090	TS80D4	-	-
19.0	1.4	3417	3.11	30.00	93.16	4924	1489	HW040+NMRV-P090	TH90S4	-	-
19.0	1.4	3417	3.11	30.00	93.16	4924	1489	HW040+NMRV-P090	TP90S4	-	-
19.0	1.4	3417	3.11	30.00	93.16	4924	1489	HW040+NMRV-P090	TS90S4	-	-
18.0	1.2	3516	4.75	20.00	95.00	4065	1355	-	-	HW030+NMRV-P075	56C
18.0	1.2	3516	4.75	20.00	95.00	4065	1355	-	-	HW030+NMRV-P075	143/145TC
17.0	2.5	4069	4.20	25.00	105.00	10232	1958	-	-	HW040+NMRV-P110	56C
17.0	2.5	4069	4.20	25.00	105.00	10232	1958	-	-	HW040+NMRV-P110	143/145TC
11.0	1.6	6246	4.20	25.00	105.00	10232	2259	-	-	HW040+NMRV-P110	143/145TC
11.0	1.6	6246	4.20	25.00	105.00	10083	2259	HW040+NMRV-P110	TH90L6	-	-
17.0	2.2	4155	4.20	25.00	105.00	8976	1958	HW040+NMRV-P110	TS80D4	-	-
17.0	2.2	4155	4.20	25.00	105.00	8976	1958	HW040+NMRV-P110	TH90S4	-	-
17.0	2.2	4155	4.20	25.00	105.00	8976	1958	HW040+NMRV-P110	TP90S4	-	-
17.0	2.2	4155	4.20	25.00	105.00	8976	1958	HW040+NMRV-P110	TS90S4	-	-
16.0	1.0	4015	5.45	20.00	109.09	4177	1419	-	-	HW030+NMRV-P075	56C
16.0	1.0	4015	5.45	20.00	109.09	4177	1419	-	-	HW030+NMRV-P075	143/145TC
16.0	1.6	4224	5.50	20.00	110.00	6638	1574	-	-	HW040+NMRV-P090	56C
16.0	1.6	4224	5.50	20.00	110.00	6638	1574	-	-	HW040+NMRV-P090	143/145TC
10.0	1.0	6485	5.50	20.00	110.00	6638	1816	-	-	HW040+NMRV-P090	143/145TC
16.0	1.2	4293	5.50	20.00	110.00	5319	1574	HW040+NMRV-P090	TS80D4	-	-
16.0	1.2	4293	5.50	20.00	110.00	5319	1574	HW040+NMRV-P090	TH90S4	-	-
16.0	1.2	4293	5.50	20.00	110.00	5319	1574	HW040+NMRV-P090	TP90S4	-	-
16.0	1.2	4293	5.50	20.00	110.00	5319	1574	HW040+NMRV-P090	TS90S4	-	-
15.0	1.0	3859	3.87	30.00	116.00	3877	1448	-	-	HW030+NMRV-P075	56C
15.0	1.0	3859	3.87	30.00	116.00	3877	1448	-	-	HW030+NMRV-P075	143/145TC
14.0	2.5	4369	4.20	30.00	126.00	10988	2081	-	-	HW040+NMRV-P110	56C
14.0	2.5	4369	4.20	30.00	126.00	10988	2081	-	-	HW040+NMRV-P110	143/145TC
9.0	1.6	6707	4.20	30.00	126.00	10988	2320	-	-	HW040+NMRV-P110	143/145TC
9.0	1.6	6707	4.20	30.00	126.00	10901	2320	HW040+NMRV-P110	TH90L6	-	-
14.0	2.2	4524	4.20	30.00	126.00	9812	2081	HW040+NMRV-P110	TS80D4	-	-
14.0	2.2	4524	4.20	30.00	126.00	9812	2081	HW040+NMRV-P110	TH90S4	-	-
14.0	2.2	4524	4.20	30.00	126.00	9812	2081	HW040+NMRV-P110	TP90S4	-	-
14.0	2.2	4524	4.20	30.00	126.00	9812	2081	HW040+NMRV-P110	TS90S4	-	-
14.0	1.6	4366	4.20	30.00	126.00	6795	1647	-	-	HW040+NMRV-P090	56C
14.0	1.6	4366	4.20	30.00	126.00	6795	1647	-	-	HW040+NMRV-P090	143/145TC

1.5 HP

Output speed [rpm]	Service factor sf	Output torque [in-lbs]	Ratio Stage 1	Ratio Stage 2	Exact ratio i	Max. torque [in-lbs]	OHL Output shaft [lbs]	Gearmotor		Gear Reducer	
								Reducer	Motor	Reducer	NEMA C-input
9.0	1.0	6702	4.20	30.00	126.00	6795	1839	-	-	HW040+NMRV-P090	143/145TC
14.0	1.2	4495	4.20	30.00	126.00	5445	1647	HW040+NMRV-P090	TS80D4	-	-
14.0	1.2	4495	4.20	30.00	126.00	5445	1647	HW040+NMRV-P090	TH90S4	-	-
14.0	1.2	4495	4.20	30.00	126.00	5445	1647	HW040+NMRV-P090	TP90S4	-	-
14.0	1.2	4495	4.20	30.00	126.00	5445	1647	HW040+NMRV-P090	TS90S4	-	-
13.0	1.6	5280	5.50	25.00	137.50	8574	2143	-	-	HW040+NMRV-P110	56C
13.0	1.6	5280	5.50	25.00	137.50	8574	2143	-	-	HW040+NMRV-P110	143/145TC
8.0	1.1	8106	5.50	25.00	137.50	8574	2320	-	-	HW040+NMRV-P110	143/145TC
8.0	1.0	8106	5.50	25.00	137.50	8475	2320	HW040+NMRV-P110	TH90L6	-	-
13.0	1.5	5366	5.50	25.00	137.50	8302	2143	HW040+NMRV-P110	TS80D4	-	-
13.0	1.5	5366	5.50	25.00	137.50	8302	2143	HW040+NMRV-P110	TH90S4	-	-
13.0	1.5	5366	5.50	25.00	137.50	8302	2143	HW040+NMRV-P110	TP90S4	-	-
13.0	1.5	5366	5.50	25.00	137.50	8302	2143	HW040+NMRV-P110	TS90S4	-	-
13.0	1.2	5068	5.50	25.00	137.50	6191	1696	-	-	HW040+NMRV-P090	56C
13.0	1.2	5068	5.50	25.00	137.50	6191	1696	-	-	HW040+NMRV-P090	143/145TC
13.0	1.0	5154	5.50	25.00	137.50	5235	1696	HW040+NMRV-P090	TS80D4	-	-
13.0	1.0	5154	5.50	25.00	137.50	5235	1696	HW040+NMRV-P090	TH90S4	-	-
13.0	1.0	5154	5.50	25.00	137.50	5235	1696	HW040+NMRV-P090	TP90S4	-	-
13.0	1.0	5154	5.50	25.00	137.50	5235	1696	HW040+NMRV-P090	TS90S4	-	-
11.0	1.8	5081	3.11	50.00	155.26	9289	2231	-	-	HW040+NMRV-P110	56C
11.0	1.8	5081	3.11	50.00	155.26	9289	2231	-	-	HW040+NMRV-P110	143/145TC
7.0	1.2	7799	3.11	50.00	155.26	9289	2320	-	-	HW040+NMRV-P110	143/145TC
7.0	1.1	7799	3.11	50.00	155.26	8755	2320	HW040+NMRV-P110	TH90L6	-	-
11.0	1.4	5296	3.11	50.00	155.26	7326	2231	HW040+NMRV-P110	TH90S4	-	-
11.0	1.4	5296	3.11	50.00	155.26	7326	2231	HW040+NMRV-P110	TP90S4	-	-
11.0	1.4	5296	3.11	50.00	155.26	7326	2231	HW040+NMRV-P110	TS90S4	-	-
11.0	1.4	5296	3.11	50.00	155.26	7326	2231	HW040+NMRV-P110	TS80D4	-	-
11.0	1.1	4785	3.11	50.00	155.26	5173	1766	-	-	HW040+NMRV-P090	143/145TC
11.0	1.1	4785	3.11	50.00	155.26	5173	1766	-	-	HW040+NMRV-P090	56C
11.0	1.3	5646	5.50	30.00	165.00	7434	1802	-	-	HW040+NMRV-P090	56C
11.0	1.3	5646	5.50	30.00	165.00	7434	1802	-	-	HW040+NMRV-P090	143/145TC
11.0	1.0	5775	5.50	30.00	165.00	5957	1802	HW040+NMRV-P090	TS80D4	-	-
11.0	1.0	5775	5.50	30.00	165.00	5957	1802	HW040+NMRV-P090	TH90S4	-	-
11.0	1.0	5775	5.50	30.00	165.00	5957	1802	HW040+NMRV-P090	TP90S4	-	-
11.0	1.0	5775	5.50	30.00	165.00	5957	1802	HW040+NMRV-P090	TS90S4	-	-
10.0	1.9	5652	4.20	40.00	168.00	10790	2291	-	-	HW040+NMRV-P110	56C
10.0	1.9	5652	4.20	40.00	168.00	10790	2291	-	-	HW040+NMRV-P110	143/145TC
7.0	1.2	8677	4.20	40.00	168.00	10790	2320	-	-	HW040+NMRV-P110	143/145TC
7.0	1.2	8677	4.20	40.00	168.00	10558	2320	HW040+NMRV-P110	TH90L6	-	-
10.0	1.5	5859	4.20	40.00	168.00	8990	2291	HW040+NMRV-P110	TS80D4	-	-
10.0	1.5	5859	4.20	40.00	168.00	8990	2291	HW040+NMRV-P110	TH90S4	-	-

1.5 HP

Output speed [rpm]	Service factor sf	Output torque [in-lbs]	Ratio Stage 1	Ratio Stage 2	Exact ratio i	Max. torque [in-lbs]	OHL Output shaft [lbs]	Gearmotor		Gear Reducer	
								Reducer	Motor	Reducer	NEMA C-input
10.0	1.5	5859	4.20	40.00	168.00	8990	2291	HW040+NMRV-P110	TP90S4	-	-
10.0	1.5	5859	4.20	40.00	168.00	8990	2291	HW040+NMRV-P110	TS90S4	-	-
9.0	1.4	5742	3.11	60.00	186.32	8114	2320	-	-	HW040+NMRV-P110	56C
9.0	1.4	5742	3.11	60.00	186.32	8114	2320	-	-	HW040+NMRV-P110	143/145TC
9.0	1.1	6051	3.11	60.00	186.32	6543	2320	HW040+NMRV-P110	TS80D4	-	-
9.0	1.1	6051	3.11	60.00	186.32	6543	2320	HW040+NMRV-P110	TH90S4	-	-
9.0	1.1	6051	3.11	60.00	186.32	6543	2320	HW040+NMRV-P110	TP90S4	-	-
9.0	1.1	6051	3.11	60.00	186.32	6543	2320	HW040+NMRV-P110	TS90S4	-	-
8.0	1.5	7287	5.50	40.00	220.00	11262	2320	-	-	HW040+NMRV-P110	56C
8.0	1.5	7287	5.50	40.00	220.00	11262	2320	-	-	HW040+NMRV-P110	143/145TC
5.0	1.0	11186	5.50	40.00	220.00	11262	2320	-	-	HW040+NMRV-P110	143/145TC
8.0	1.3	7493	5.50	40.00	220.00	9867	2320	HW040+NMRV-P110	TS80D4	-	-
8.0	1.3	7493	5.50	40.00	220.00	9867	2320	HW040+NMRV-P110	TH90S4	-	-
8.0	1.3	7493	5.50	40.00	220.00	9867	2320	HW040+NMRV-P110	TP90S4	-	-
8.0	1.3	7493	5.50	40.00	220.00	9867	2320	HW040+NMRV-P110	TS90S4	-	-
7.0	1.1	7570	4.20	60.00	252.00	8574	2320	-	-	HW040+NMRV-P110	56C
7.0	1.1	7570	4.20	60.00	252.00	8574	2320	-	-	HW040+NMRV-P110	143/145TC
6.0	1.2	8701	5.50	50.00	275.00	10245	2320	-	-	HW040+NMRV-P110	56C
6.0	1.2	8701	5.50	50.00	275.00	10245	2320	-	-	HW040+NMRV-P110	143/145TC
6.0	1.0	8916	5.50	50.00	275.00	9111	2320	HW040+NMRV-P110	TS80D4	-	-
6.0	1.0	8916	5.50	50.00	275.00	9111	2320	HW040+NMRV-P110	TH90S4	-	-
6.0	1.0	8916	5.50	50.00	275.00	9111	2320	HW040+NMRV-P110	TP90S4	-	-
6.0	1.0	8916	5.50	50.00	275.00	9111	2320	HW040+NMRV-P110	TS90S4	-	-
6.0	1.1	9594	6.09	50.00	304.55	10245	2320	-	-	HW040+NMRV-P110	56C
6.0	1.1	9594	6.09	50.00	304.55	10245	2320	-	-	HW040+NMRV-P110	143/145TC

2 HP

Output speed [rpm]	Service factor sf	Output torque [in-lbs]	Ratio Stage 1	Ratio Stage 2	Exact ratio i	Max. torque [in-lbs]	OHL Output shaft [lbs]	Gearmotor		Gear Reducer	
								Reducer	Motor	Reducer	NEMA C-input
79.0	1.9	1299	2.94	7.50	22.08	2500	833	-	-	HW030+NMRV-P075	56C
79.0	1.9	1299	2.94	7.50	22.08	2500	833	-	-	HW030+NMRV-P075	143/145TC
79.0	1.4	1305	2.94	7.50	22.08	1878	706	-	-	HW030+NMRV-P063	56C
79.0	1.4	1305	2.94	7.50	22.08	1878	706	-	-	HW030+NMRV-P063	143/145TC
75.0	2.7	1390	3.11	7.50	23.29	3775	1185	-	-	HW040+NMRV-P110	56C
75.0	2.7	1390	3.11	7.50	23.29	3775	1185	-	-	HW040+NMRV-P110	143/145TC
49.0	1.8	2133	3.11	7.50	23.29	3775	1367	-	-	HW040+NMRV-P110	182/184TC
75.0	2.7	1385	3.11	7.50	23.29	3762	938	-	-	HW040+NMRV-P090	56C
75.0	2.7	1385	3.11	7.50	23.29	3762	938	-	-	HW040+NMRV-P090	143/145TC
49.0	1.8	2126	3.11	7.50	23.29	3762	1082	-	-	HW040+NMRV-P090	182/184TC
75.0	2.6	1416	3.11	7.50	23.29	3723	1185	HW040+NMRV-P110	TH90L4	-	-
75.0	2.6	1416	3.11	7.50	23.29	3723	1185	HW040+NMRV-P110	TP90L4	-	-

2 HP

Output speed [rpm]	Service factor sf	Output torque [in-lbs]	Ratio Stage 1	Ratio Stage 2	Exact ratio i	Max. torque [in-lbs]	OHL Output shaft [lbs]	Gearmotor		Gear Reducer	
								Reducer	Motor	Reducer	NEMA C-input
75.0	2.6	1416	3.11	7.50	23.29	3723	1185	HW040+NMRV-P110	TS90LA4	-	-
75.0	2.6	1402	3.11	7.50	23.29	3672	938	HW040+NMRV-P090	TH90L4	-	-
75.0	2.6	1402	3.11	7.50	23.29	3672	938	HW040+NMRV-P090	TP90L4	-	-
75.0	2.6	1402	3.11	7.50	23.29	3672	938	HW040+NMRV-P090	TS90LA4	-	-
60.0	1.5	1696	3.87	7.50	29.00	2486	912	-	-	HW030+NMRV-P075	56C
60.0	1.5	1696	3.87	7.50	29.00	2486	912	-	-	HW030+NMRV-P075	143/145TC
60.0	1.2	1698	3.87	7.50	29.00	2056	773	-	-	HW030+NMRV-P063	56C
60.0	1.2	1698	3.87	7.50	29.00	2056	773	-	-	HW030+NMRV-P063	143/145TC
56.0	2.7	1809	3.11	10.00	31.05	4915	1305	-	-	HW040+NMRV-P110	56C
56.0	2.7	1809	3.11	10.00	31.05	4915	1305	-	-	HW040+NMRV-P110	143/145TC
37.0	1.8	2777	3.11	10.00	31.05	4915	1505	-	-	HW040+NMRV-P110	182/184TC
56.0	2.7	1809	3.11	10.00	31.05	4915	1033	-	-	HW040+NMRV-P090	56C
56.0	2.7	1809	3.11	10.00	31.05	4915	1033	-	-	HW040+NMRV-P090	143/145TC
37.0	1.8	2777	3.11	10.00	31.05	4915	1191	-	-	HW040+NMRV-P090	182/184TC
56.0	2.6	1844	3.11	10.00	31.05	4851	1305	HW040+NMRV-P110	TH90L4	-	-
56.0	2.6	1844	3.11	10.00	31.05	4851	1305	HW040+NMRV-P110	TP90L4	-	-
56.0	2.6	1844	3.11	10.00	31.05	4851	1305	HW040+NMRV-P110	TS90LA4	-	-
56.0	2.2	1844	3.11	10.00	31.05	4074	1033	HW040+NMRV-P090	TH90L4	-	-
56.0	2.2	1844	3.11	10.00	31.05	4074	1033	HW040+NMRV-P090	TP90L4	-	-
56.0	2.2	1844	3.11	10.00	31.05	4074	1033	HW040+NMRV-P090	TS90LA4	-	-
45.0	1.3	2183	3.87	10.00	38.67	2907	1004	-	-	HW030+NMRV-P075	56C
45.0	1.3	2183	3.87	10.00	38.67	2907	1004	-	-	HW030+NMRV-P075	143/145TC
42.0	1.8	2425	4.20	10.00	42.00	4471	1443	-	-	HW040+NMRV-P110	143/145TC
27.0	1.2	3722	4.20	10.00	42.00	4471	1665	-	-	HW040+NMRV-P110	182/184TC
42.0	1.8	2425	4.20	10.00	42.00	4471	1142	-	-	HW040+NMRV-P090	56C
42.0	1.8	2425	4.20	10.00	42.00	4471	1142	-	-	HW040+NMRV-P090	143/145TC
27.0	1.2	3722	4.20	10.00	42.00	4471	1317	-	-	HW040+NMRV-P090	182/184TC
42.0	1.8	2425	4.20	10.00	42.00	4471	1443	-	-	HW040+NMRV-P110	56C
42.0	1.8	2460	4.20	10.00	42.00	4373	1142	HW040+NMRV-P090	TH90L4	-	-
42.0	1.8	2460	4.20	10.00	42.00	4373	1142	HW040+NMRV-P090	TP90L4	-	-
42.0	1.8	2460	4.20	10.00	42.00	4373	1142	HW040+NMRV-P090	TS90LA4	-	-
42.0	1.8	2460	4.20	10.00	42.00	4373	1443	HW040+NMRV-P110	TH90L4	-	-
42.0	1.8	2460	4.20	10.00	42.00	4373	1443	HW040+NMRV-P110	TP90L4	-	-
42.0	1.8	2460	4.20	10.00	42.00	4373	1443	HW040+NMRV-P110	TS90LA4	-	-
38.0	2.7	2625	3.11	15.00	46.58	7132	1494	-	-	HW040+NMRV-P110	56C
38.0	2.7	2625	3.11	15.00	46.58	7132	1494	-	-	HW040+NMRV-P110	143/145TC
24.0	1.8	4030	3.11	15.00	46.58	7132	1723	-	-	HW040+NMRV-P110	182/184TC
38.0	2.6	2695	3.11	15.00	46.58	7124	1494	HW040+NMRV-P110	TH90L4	-	-
38.0	2.6	2695	3.11	15.00	46.58	7124	1494	HW040+NMRV-P110	TP90L4	-	-
38.0	2.6	2695	3.11	15.00	46.58	7124	1494	HW040+NMRV-P110	TS90LA4	-	-
38.0	2.2	2592	3.11	15.00	46.58	5721	1182	-	-	HW040+NMRV-P090	56C

2 HP

Output speed [rpm]	Service factor sf	Output torque [in-lbs]	Ratio Stage 1	Ratio Stage 2	Exact ratio i	Max. torque [in-lbs]	OHL Output shaft [lbs]	Gearmotor		Gear Reducer	
								Reducer	Motor	Reducer	NEMA C-input
38.0	2.2	2592	3.11	15.00	46.58	5721	1182	-	-	HW040+NMRV-P090	143/145TC
24.0	1.4	3980	3.11	15.00	46.58	5721	1364	-	-	HW040+NMRV-P090	182/184TC
38.0	1.7	2663	3.11	15.00	46.58	4584	1182	HW040+NMRV-P090	TH90L4	-	-
38.0	1.7	2663	3.11	15.00	46.58	4584	1182	HW040+NMRV-P090	TP90L4	-	-
38.0	1.7	2663	3.11	15.00	46.58	4584	1182	HW040+NMRV-P090	TS90LA4	-	-
37.0	1.2	2667	4.75	10.00	47.50	3113	1075	-	-	HW030+NMRV-P075	56C
37.0	1.2	2667	4.75	10.00	47.50	3113	1075	-	-	HW030+NMRV-P075	143/145TC
28.0	2.7	3413	3.11	20.00	62.11	9273	1644	-	-	HW040+NMRV-P110	56C
28.0	2.7	3413	3.11	20.00	62.11	9273	1644	-	-	HW040+NMRV-P110	143/145TC
18.0	1.8	5239	3.11	20.00	62.11	9273	1896	-	-	HW040+NMRV-P110	182/184TC
28.0	2.0	3507	3.11	20.00	62.11	6932	1644	HW040+NMRV-P110	TH90L4	-	-
28.0	2.0	3507	3.11	20.00	62.11	6932	1644	HW040+NMRV-P110	TP90L4	-	-
28.0	2.0	3507	3.11	20.00	62.11	6932	1644	HW040+NMRV-P110	TS90LA4	-	-
28.0	1.8	3462	4.20	15.00	63.00	6326	1307	-	-	HW040+NMRV-P090	56C
28.0	1.8	3462	4.20	15.00	63.00	6326	1307	-	-	HW040+NMRV-P090	143/145TC
18.0	1.2	5314	4.20	15.00	63.00	6326	1508	-	-	HW040+NMRV-P090	182/184TC
28.0	1.4	3532	4.20	15.00	63.00	5069	1307	HW040+NMRV-P090	TH90L4	-	-
28.0	1.4	3532	4.20	15.00	63.00	5069	1307	HW040+NMRV-P090	TP90L4	-	-
28.0	1.4	3532	4.20	15.00	63.00	5069	1307	HW040+NMRV-P090	TS90LA4	-	-
23.0	2.5	4157	3.11	25.00	77.63	10333	1771	-	-	HW040+NMRV-P110	56C
23.0	2.5	4157	3.11	25.00	77.63	10333	1771	-	-	HW040+NMRV-P110	143/145TC
15.0	1.6	6381	3.11	25.00	77.63	10333	2043	-	-	HW040+NMRV-P110	182/184TC
23.0	1.7	4274	3.11	25.00	77.63	7335	1771	HW040+NMRV-P110	TH90L4	-	-
23.0	1.7	4274	3.11	25.00	77.63	7335	1771	HW040+NMRV-P110	TP90L4	-	-
23.0	1.7	4274	3.11	25.00	77.63	7335	1771	HW040+NMRV-P110	TS90LA4	-	-
23.0	1.4	3993	3.11	25.00	77.63	5400	1401	-	-	HW040+NMRV-P090	56C
23.0	1.4	3993	3.11	25.00	77.63	5400	1401	-	-	HW040+NMRV-P090	143/145TC
21.0	1.8	4557	4.20	20.00	84.00	8403	1818	-	-	HW040+NMRV-P110	56C
21.0	1.8	4557	4.20	20.00	84.00	8403	1818	-	-	HW040+NMRV-P110	143/145TC
14.0	1.2	6995	4.20	20.00	84.00	8403	2097	-	-	HW040+NMRV-P110	182/184TC
21.0	1.8	4650	4.20	20.00	84.00	8301	1818	HW040+NMRV-P110	TH90L4	-	-
21.0	1.8	4650	4.20	20.00	84.00	8301	1818	HW040+NMRV-P110	TP90L4	-	-
21.0	1.8	4650	4.20	20.00	84.00	8301	1818	HW040+NMRV-P110	TS90LA4	-	-
21.0	1.4	4439	4.20	20.00	84.00	6068	1439	-	-	HW040+NMRV-P090	56C
21.0	1.4	4439	4.20	20.00	84.00	6068	1439	-	-	HW040+NMRV-P090	143/145TC
21.0	1.1	4532	4.20	20.00	84.00	4862	1439	HW040+NMRV-P090	TH90L4	-	-
21.0	1.1	4532	4.20	20.00	84.00	4862	1439	HW040+NMRV-P090	TP90L4	-	-
21.0	1.1	4532	4.20	20.00	84.00	4862	1439	HW040+NMRV-P090	TS90LA4	-	-
19.0	2.5	4504	3.11	30.00	93.16	11082	1882	-	-	HW040+NMRV-P110	56C
19.0	2.5	4504	3.11	30.00	93.16	11082	1882	-	-	HW040+NMRV-P110	143/145TC
12.0	1.6	6914	3.11	30.00	93.16	11082	2171	-	-	HW040+NMRV-P110	182/184TC

2 HP

Output speed [rpm]	Service factor sf	Output torque [in-lbs]	Ratio Stage 1	Ratio Stage 2	Exact ratio i	Max. torque [in-lbs]	OHL Output shaft [lbs]	Gearmotor		Gear Reducer	
								Reducer	Motor	Reducer	NEMA C-input
19.0	1.7	4715	3.11	30.00	93.16	8117	1882	HW040+NMRV-P110	TH90L4	-	-
19.0	1.7	4715	3.11	30.00	93.16	8117	1882	HW040+NMRV-P110	TP90L4	-	-
19.0	1.7	4715	3.11	30.00	93.16	8117	1882	HW040+NMRV-P110	TS90LA4	-	-
19.0	1.4	4484	3.11	30.00	93.16	6145	1489	-	-	HW040+NMRV-P090	56C
19.0	1.4	4484	3.11	30.00	93.16	6145	1489	-	-	HW040+NMRV-P090	143/145TC
19.0	1.1	4660	3.11	30.00	93.16	4924	1489	HW040+NMRV-P090	TH90L4	-	-
19.0	1.1	4660	3.11	30.00	93.16	4924	1489	HW040+NMRV-P090	TP90L4	-	-
19.0	1.1	4660	3.11	30.00	93.16	4924	1489	HW040+NMRV-P090	TS90LA4	-	-
17.0	1.8	5548	4.20	25.00	105.00	10232	1958	-	-	HW040+NMRV-P110	56C
17.0	1.8	5548	4.20	25.00	105.00	10232	1958	-	-	HW040+NMRV-P110	143/145TC
11.0	1.2	8517	4.20	25.00	105.00	10232	2259	-	-	HW040+NMRV-P110	182/184TC
17.0	1.6	5665	4.20	25.00	105.00	8976	1958	HW040+NMRV-P110	TH90L4	-	-
17.0	1.6	5665	4.20	25.00	105.00	8976	1958	HW040+NMRV-P110	TP90L4	-	-
17.0	1.6	5665	4.20	25.00	105.00	8976	1958	HW040+NMRV-P110	TS90LA4	-	-
16.0	1.2	5760	5.50	20.00	110.00	6638	1574	-	-	HW040+NMRV-P090	56C
16.0	1.2	5760	5.50	20.00	110.00	6638	1574	-	-	HW040+NMRV-P090	143/145TC
14.0	1.8	5958	4.20	30.00	126.00	10988	2081	-	-	HW040+NMRV-P110	56C
14.0	1.8	5958	4.20	30.00	126.00	10988	2081	-	-	HW040+NMRV-P110	143/145TC
9.0	1.2	9146	4.20	30.00	126.00	10988	2320	-	-	HW040+NMRV-P110	182/184TC
14.0	1.6	6169	4.20	30.00	126.00	9812	2081	HW040+NMRV-P110	TH90L4	-	-
14.0	1.6	6169	4.20	30.00	126.00	9812	2081	HW040+NMRV-P110	TP90L4	-	-
14.0	1.6	6169	4.20	30.00	126.00	9812	2081	HW040+NMRV-P110	TS90LA4	-	-
14.0	1.1	5954	4.20	30.00	126.00	6795	1647	-	-	HW040+NMRV-P090	56C
14.0	1.1	5954	4.20	30.00	126.00	6795	1647	-	-	HW040+NMRV-P090	143/145TC
13.0	1.2	7200	5.50	25.00	137.50	8574	2143	-	-	HW040+NMRV-P110	56C
13.0	1.2	7200	5.50	25.00	137.50	8574	2143	-	-	HW040+NMRV-P110	143/145TC
13.0	1.1	7318	5.50	25.00	137.50	8302	2143	HW040+NMRV-P110	TH90L4	-	-
13.0	1.1	7318	5.50	25.00	137.50	8302	2143	HW040+NMRV-P110	TP90L4	-	-
13.0	1.1	7318	5.50	25.00	137.50	8302	2143	HW040+NMRV-P110	TS90LA4	-	-
11.0	1.3	6928	3.11	50.00	155.26	9289	2231	-	-	HW040+NMRV-P110	56C
11.0	1.3	6928	3.11	50.00	155.26	9289	2231	-	-	HW040+NMRV-P110	143/145TC
11.0	1.0	7221	3.11	50.00	155.26	7326	2231	HW040+NMRV-P110	TH90L4	-	-
11.0	1.0	7221	3.11	50.00	155.26	7326	2231	HW040+NMRV-P110	TP90L4	-	-
11.0	1.0	7221	3.11	50.00	155.26	7326	2231	HW040+NMRV-P110	TS90LA4	-	-
10.0	1.4	7708	4.20	40.00	168.00	10790	2291	-	-	HW040+NMRV-P110	56C
10.0	1.4	7708	4.20	40.00	168.00	10790	2291	-	-	HW040+NMRV-P110	143/145TC
10.0	1.1	7989	4.20	40.00	168.00	8990	2291	HW040+NMRV-P110	TH90L4	-	-
10.0	1.1	7989	4.20	40.00	168.00	8990	2291	HW040+NMRV-P110	TP90L4	-	-
10.0	1.1	7989	4.20	40.00	168.00	8990	2291	HW040+NMRV-P110	TS90LA4	-	-
9.0	1.0	7830	3.11	60.00	186.32	8114	2320	-	-	HW040+NMRV-P110	56C
9.0	1.0	7830	3.11	60.00	186.32	8114	2320	-	-	HW040+NMRV-P110	143/145TC

2 HP

Output speed [rpm]	Service factor sf	Output torque [in-lbs]	Ratio Stage 1	Ratio Stage 2	Exact ratio i	Max. torque [in-lbs]	OHL Output shaft [lbs]	Gearmotor		Gear Reducer	
								Reducer	Motor	Reducer	NEMA C-input
8.0	1.1	9937	5.50	40.00	220.00	11262	2320	-	-	HW040+NMRV-P110	56C
8.0	1.1	9937	5.50	40.00	220.00	11262	2320	-	-	HW040+NMRV-P110	143/145TC

3 HP

Output speed [rpm]	Service factor sf	Output torque [in-lbs]	Ratio Stage 1	Ratio Stage 2	Exact ratio i	Max. torque [in-lbs]	OHL Output shaft [lbs]	Gearmotor		Gear Reducer	
								Reducer	Motor	Reducer	NEMA C-input
75.0	1.9	2038	3.11	7.50	23.29	3775	1185	-	-	HW040+NMRV-P110	182/184TC
49.0	1.2	3128	3.11	7.50	23.29	3775	1367	-	-	HW040+NMRV-P110	182/184TC
75.0	1.9	2031	3.11	7.50	23.29	3762	938	-	-	HW040+NMRV-P090	182/184TC
49.0	1.2	3117	3.11	7.50	23.29	3762	1082	-	-	HW040+NMRV-P090	182/184TC
56.0	1.9	2653	3.11	10.00	31.05	4915	1033	-	-	HW040+NMRV-P090	182/184TC
37.0	1.2	4073	3.11	10.00	31.05	4915	1191	-	-	HW040+NMRV-P090	182/184TC
56.0	1.9	2653	3.11	10.00	31.05	4915	1305	-	-	HW040+NMRV-P110	182/184TC
37.0	1.2	4073	3.11	10.00	31.05	4915	1505	-	-	HW040+NMRV-P110	182/184TC
42.0	1.3	3556	4.20	10.00	42.00	4471	1142	-	-	HW040+NMRV-P090	182/184TC
42.0	1.3	3556	4.20	10.00	42.00	4471	1443	-	-	HW040+NMRV-P110	182/184TC
38.0	1.9	3850	3.11	15.00	46.58	7132	1494	-	-	HW040+NMRV-P110	182/184TC
24.0	1.2	5911	3.11	15.00	46.58	7132	1723	-	-	HW040+NMRV-P110	182/184TC
38.0	1.5	3802	3.11	15.00	46.58	5721	1182	-	-	HW040+NMRV-P090	182/184TC
28.0	1.9	5006	3.11	20.00	62.11	9273	1644	-	-	HW040+NMRV-P110	182/184TC
18.0	1.2	7684	3.11	20.00	62.11	9273	1896	-	-	HW040+NMRV-P110	182/184TC
28.0	1.2	5077	4.20	15.00	63.00	6326	1307	-	-	HW040+NMRV-P090	182/184TC
23.0	1.7	6097	3.11	25.00	77.63	10333	1771	-	-	HW040+NMRV-P110	182/184TC
15.0	1.1	9360	3.11	25.00	77.63	10333	2043	-	-	HW040+NMRV-P110	182/184TC
21.0	1.3	6683	4.20	20.00	84.00	8403	1818	-	-	HW040+NMRV-P110	182/184TC
19.0	1.7	6606	3.11	30.00	93.16	11082	1882	-	-	HW040+NMRV-P110	182/184TC
12.0	1.1	10141	3.11	30.00	93.16	11082	2171	-	-	HW040+NMRV-P110	182/184TC
17.0	1.3	8138	4.20	25.00	105.00	10232	1958	-	-	HW040+NMRV-P110	182/184TC
14.0	1.3	8738	4.20	30.00	126.00	10988	2081	-	-	HW040+NMRV-P110	182/184TC

5 HP

Output speed [rpm]	Service factor sf	Output torque [in-lbs]	Ratio Stage 1	Ratio Stage 2	Exact ratio i	Max. torque [in-lbs]	OHL Output shaft [lbs]	Gearmotor		Gear Reducer	
								Reducer	Motor	Reducer	NEMA C-input
75.0	1.0	3705	3.11	7.50	23.29	3775	1185	-	-	HW040+NMRV-P110	182/184TC
75.0	1.0	3692	3.11	7.50	23.29	3762	938	-	-	HW040+NMRV-P090	182/184TC
56.0	1.0	4824	3.11	10.00	31.05	4915	1033	-	-	HW040+NMRV-P090	182/184TC
56.0	1.0	4824	3.11	10.00	31.05	4915	1305	-	-	HW040+NMRV-P110	182/184TC
38.0	1.0	7000	3.11	15.00	46.58	7132	1494	-	-	HW040+NMRV-P110	182/184TC
28.0	1.0	9101	3.11	20.00	62.11	9273	1644	-	-	HW040+NMRV-P110	182/184TC



Maximum torque [in-lbs]	Output speed [rpm]	Exact ratio i	Maximum Power [HP]	OHL		Gear Reducer	
				Output shaft [lbs]	Input shaft [lbs]	Motorized Input	Shaft Input
549	51.6	22.08	5.01	417	-	HA31+NMRV040	-
583	48.0	23.75	4.86	494	-	HA31+NMRV040	-
591	44.7	25.50	4.6	494	-	HA31+NMRV040	-
562	38.7	29.44	3.96	459	-	HA31+NMRV040	-
602	36.2	31.50	3.8	494	-	HA31+NMRV040	-
618	32.0	35.63	3.56	566	-	HA31+NMRV040	-
633	27.9	40.91	3.19	566	-	HA31+NMRV040	-
577	25.8	44.17	2.88	525	-	HA31+NMRV040	-
614	24.0	47.50	2.75	622	-	HA31+NMRV040	-
625	20.9	54.55	2.45	622	-	HA31+NMRV040	-
531	19.4	58.89	2.08	578	-	HA31+NMRV040	-
628	18.1	63.00	2.14	622	-	HA31+NMRV040	-
624	16.0	71.25	1.97	713	-	HA31+NMRV040	-
628	14.5	78.75	1.71	622	-	HA31+NMRV040	-
585	12.9	88.33	1.76	661	-	HA31+NMRV040	-
637	12.1	94.50	1.52	713	-	HA31+NMRV040	-
570	11.2	102.00	1.33	784	-	HA31+NMRV040	-
573	10.4	109.09	1.25	784	-	HA31+NMRV040	-
637	9.7	118.13	1.22	713	-	HA31+NMRV040	-
533	8.9	127.50	1.06	785	-	HA31+NMRV040	-
633	8.0	142.50	1.23	785	-	HA31+NMRV040	-
556	7.4	154.67	1.08	785	-	HA31+NMRV040	-
643	7.0	163.64	1.1	785	-	HA31+NMRV040	-
646	6.0	189.00	0.96	785	-	HA31+NMRV040	-
570	5.6	204.00	0.86	785	-	HA31+NMRV040	-
877	51.6	22.08	7.91	572	-	HA31+NMRV050	-
647	48.0	23.75	5.39	678	-	HA31+NMRV050	-
675	44.7	25.50	5.25	678	-	HA31+NMRV050	-
1080	38.7	29.44	7.48	629	-	HA31+NMRV050	-
673	36.2	31.50	4.25	678	-	HA31+NMRV050	-
948	32.0	35.63	5.4	776	-	HA31+NMRV050	-
987	27.9	40.91	4.91	776	-	HA31+NMRV050	-
1073	25.8	44.17	5.31	721	-	HA31+NMRV050	-
1184	24.0	47.50	5.18	854	-	HA31+NMRV050	-
1206	20.9	54.55	4.61	854	-	HA31+NMRV050	-
952	19.4	58.89	3.7	793	-	HA31+NMRV050	-
1213	18.1	63.00	4.02	854	-	HA31+NMRV050	-
1169	16.0	71.25	3.68	978	-	HA31+NMRV050	-
1213	14.5	78.75	3.22	854	-	HA31+NMRV050	-
1107	12.9	88.33	3.28	908	-	HA31+NMRV050	-
1195	12.1	94.50	2.86	978	-	HA31+NMRV050	-
1048	11.2	102.00	2.44	1076	-	HA31+NMRV050	-
1057	10.4	109.09	2.31	1076	-	HA31+NMRV050	-

Maximum torque [in-lbs]	Output speed [rpm]	Exact ratio i	Maximum Power [HP]	OHL		Gear Reducer	
				Output shaft [lbs]	Input shaft [lbs]	Motorized Input	Shaft Input
1195	9.7	118.13	2.29	978	-	HA31+NMRV050	-
961	8.9	127.50	1.9	1088	-	HA31+NMRV050	-
1246	8.0	142.50	2.38	1088	-	HA31+NMRV050	-
1044	7.4	154.67	1.99	1088	-	HA31+NMRV050	-
1275	7.0	163.64	2.14	1088	-	HA31+NMRV050	-
1283	6.0	189.00	1.87	1088	-	HA31+NMRV050	-
1084	5.6	204.00	1.61	1088	-	HA31+NMRV050	-
1283	4.8	236.25	1.49	1088	-	HA31+NMRV050	-
1097	4.5	252.00	1.33	1088	-	HA31+NMRV050	-
1056	4.2	272.73	1.27	1088	-	HA31+NMRV050	-
908	4.0	285.00	1.12	1088	-	HA31+NMRV050	-
1062	3.6	315.00	1.11	1088	-	HA31+NMRV050	-
1773	51.6	22.08	15.61	748	-	HW030+NMRV-P063	-
1941	39.3	29.00	13.16	1015	-	HW030+NMRV-P063	-
1951	29.5	38.67	10.41	1117	-	HW030+NMRV-P063	-
1928	25.8	44.17	9.42	942	-	HW030+NMRV-P063	-
2091	24.0	47.50	9.15	1117	-	HW030+NMRV-P063	-
2110	19.7	58.00	7.98	1278	-	HW030+NMRV-P063	-
2261	16.0	71.25	7.03	1278	-	HW030+NMRV-P063	-
2153	14.7	77.33	6.42	1407	-	HW030+NMRV-P063	-
2367	13.9	81.82	6.44	1278	-	HW030+NMRV-P063	-
2051	12.9	88.33	5.98	1187	-	HW030+NMRV-P063	-
2271	12.0	95.00	5.58	1407	-	HW030+NMRV-P063	-
2337	10.4	109.09	5.04	1407	-	HW030+NMRV-P063	-
2330	9.7	118.13	4.44	1278	-	HW030+NMRV-P063	-
2123	8.4	136.36	3.83	1410	-	HW030+NMRV-P063	-
2405	8.0	142.50	4.52	1410	-	HW030+NMRV-P063	-
2479	7.2	157.50	3.76	1407	-	HW030+NMRV-P063	-
2519	7.0	163.64	4.15	1410	-	HW030+NMRV-P063	-
1716	6.5	176.67	3.1	1410	-	HW030+NMRV-P063	-
2224	5.8	196.88	2.82	1410	-	HW030+NMRV-P063	-
2321	5.2	218.18	3.12	1410	-	HW030+NMRV-P063	-
2846	4.8	236.25	3.31	1410	-	HW030+NMRV-P063	-
2107	4.2	272.73	2.44	1410	-	HW030+NMRV-P063	-
2416	3.6	315.00	2.31	1410	-	HW030+NMRV-P063	-
2187	2.9	393.75	1.79	1410	-	HW030+NMRV-P063	-
2474	2.6	433.33	1.74	1410	-	HW030+NMRV-P063	-
1974	2.4	472.50	1.47	1410	-	HW030+NMRV-P063	-
2237	2.1	541.67	1.35	1410	-	HW030+NMRV-P063	-
2013	1.8	650.00	1.11	1410	-	HW030+NMRV-P063	-
1187	1.4	787.50	0.69	1410	-	HW030+NMRV-P063	-
1489	1.3	866.67	0.71	1410	-	HW030+NMRV-P063	-
1187	1.1	1083.33	0.52	1410	-	HW030+NMRV-P063	-

Maximum torque [in-lbs]	Output speed [rpm]	Exact ratio i	Maximum Power [HP]	OHL		Gear Reducer	
				Output shaft [lbs]	Input shaft [lbs]	Motorized Input	Shaft Input
2506	51.6	22.08	22.23	882	-	HW030+NMRV-P075	-
2498	39.3	29.00	17	1198	-	HW030+NMRV-P075	-
2848	29.5	38.67	15.02	1318	-	HW030+NMRV-P075	-
3065	25.8	44.17	14.59	1112	-	HW030+NMRV-P075	-
3051	24.0	47.50	13.18	1318	-	HW030+NMRV-P075	-
3355	19.7	58.00	12.35	1509	-	HW030+NMRV-P075	-
3595	16.0	71.25	10.88	1509	-	HW030+NMRV-P075	-
3623	14.7	77.33	10.51	1659	-	HW030+NMRV-P075	-
3658	13.9	81.82	9.69	1509	-	HW030+NMRV-P075	-
3313	12.9	88.33	9.22	1401	-	HW030+NMRV-P075	-
3857	12.0	95.00	9.22	1659	-	HW030+NMRV-P075	-
3973	10.4	109.09	8.33	1659	-	HW030+NMRV-P075	-
3626	9.8	116.00	7.87	1659	-	HW030+NMRV-P075	-
3551	8.4	136.36	6.21	1659	-	HW030+NMRV-P075	-
3886	8.0	142.50	6.96	1659	-	HW030+NMRV-P075	-
3554	7.4	154.67	6.26	1659	-	HW030+NMRV-P075	-
4069	7.0	163.64	6.4	1659	-	HW030+NMRV-P075	-
2900	6.5	176.67	4.95	1659	-	HW030+NMRV-P075	-
3608	5.8	196.88	4.44	1659	-	HW030+NMRV-P075	-
3835	5.2	218.18	4.9	1659	-	HW030+NMRV-P075	-
4012	4.8	236.25	4.44	1659	-	HW030+NMRV-P075	-
3446	4.2	272.73	3.85	1659	-	HW030+NMRV-P075	-
4007	3.6	315.00	3.61	1659	-	HW030+NMRV-P075	-
3582	2.9	393.75	2.84	1659	-	HW030+NMRV-P075	-
3382	2.4	472.50	2.37	1659	-	HW030+NMRV-P075	-
3228	2.1	541.67	1.89	1659	-	HW030+NMRV-P075	-
3452	1.8	650.00	1.78	1659	-	HW030+NMRV-P075	-
2021	1.4	787.50	1.09	1659	-	HW030+NMRV-P075	-
2587	1.3	866.67	1.13	1659	-	HW030+NMRV-P075	-
2049	1.1	1083.33	0.82	1659	-	HW030+NMRV-P075	-
3616	49.0	23.29	30.1	976	67	HW040+NMRV-P090	IHW040+NMRV-P090
4699	36.7	31.05	29.85	1075	90	HW040+NMRV-P090	IHW040+NMRV-P090
4392	27.1	42.00	20.86	1458	90	HW040+NMRV-P090	IHW040+NMRV-P090
5288	24.5	46.58	23.35	1230	90	HW040+NMRV-P090	IHW040+NMRV-P090
5847	18.1	63.00	19.4	1669	90	HW040+NMRV-P090	IHW040+NMRV-P090
4992	14.7	77.63	14.3	1458	90	HW040+NMRV-P090	IHW040+NMRV-P090
5608	13.6	84.00	14.51	1838	90	HW040+NMRV-P090	IHW040+NMRV-P090
5680	12.2	93.16	14.42	1550	90	HW040+NMRV-P090	IHW040+NMRV-P090
6135	10.4	110.00	12.26	1838	90	HW040+NMRV-P090	IHW040+NMRV-P090
6281	9.1	126.00	12.06	1839	90	HW040+NMRV-P090	IHW040+NMRV-P090
5925	8.3	137.50	9.86	1839	90	HW040+NMRV-P090	IHW040+NMRV-P090
4874	7.3	155.26	8.45	1838	90	HW040+NMRV-P090	IHW040+NMRV-P090
6871	6.9	165.00	10.24	1839	90	HW040+NMRV-P090	IHW040+NMRV-P090

Maximum torque [in-lbs]	Output speed [rpm]	Exact ratio i	Maximum Power [HP]	OHL		Gear Reducer	
				Output shaft [lbs]	Input shaft [lbs]	Motorized Input	Shaft Input
4301	6.1	186.32	6.64	1839	90	HW040+NMRV-P090	IHW040+NMRV-P090
6265	5.2	220.00	7.57	1839	90	HW040+NMRV-P090	IHW040+NMRV-P090
4593	4.5	252.00	5.43	1839	90	HW040+NMRV-P090	IHW040+NMRV-P090
5498	4.2	275.00	5.67	1839	90	HW040+NMRV-P090	IHW040+NMRV-P090
5576	3.7	304.55	5.23	1839	90	HW040+NMRV-P090	IHW040+NMRV-P090
4789	3.5	330.00	4.42	1839	90	HW040+NMRV-P090	IHW040+NMRV-P090
5728	3.0	383.33	4.33	1839	90	HW040+NMRV-P090	IHW040+NMRV-P090
5800	2.6	437.50	3.87	1839	90	HW040+NMRV-P090	IHW040+NMRV-P090
4973	2.5	460.00	3.37	1839	90	HW040+NMRV-P090	IHW040+NMRV-P090
5031	2.2	525.00	3.01	1839	90	HW040+NMRV-P090	IHW040+NMRV-P090
3980	1.9	613.33	2.22	1839	90	HW040+NMRV-P090	IHW040+NMRV-P090
4035	1.6	700.00	1.99	1839	90	HW040+NMRV-P090	IHW040+NMRV-P090
3201	1.5	766.67	1.6	1839	90	HW040+NMRV-P090	IHW040+NMRV-P090
3227	1.3	875.00	1.43	1839	90	HW040+NMRV-P090	IHW040+NMRV-P090
3640	49.0	23.29	30.11	1234	67	HW040+NMRV-P110	IHW040+NMRV-P110
4740	36.7	31.05	30.11	1358	67	HW040+NMRV-P110	IHW040+NMRV-P110
4392	27.1	42.00	20.86	1843	112	HW040+NMRV-P110	IHW040+NMRV-P110
6902	24.5	46.58	30.11	1554	67	HW040+NMRV-P110	IHW040+NMRV-P110
8976	18.4	62.11	30.11	1711	112	HW040+NMRV-P110	IHW040+NMRV-P110
9530	14.7	77.63	26.23	1843	112	HW040+NMRV-P110	IHW040+NMRV-P110
8279	13.6	84.00	20.87	2320	112	HW040+NMRV-P110	IHW040+NMRV-P110
10385	12.2	93.16	26.15	1958	112	HW040+NMRV-P110	IHW040+NMRV-P110
10083	10.9	105.00	20.87	2320	112	HW040+NMRV-P110	IHW040+NMRV-P110
10901	9.1	126.00	20.87	2320	112	HW040+NMRV-P110	IHW040+NMRV-P110
8475	8.3	137.50	13.54	2320	112	HW040+NMRV-P110	IHW040+NMRV-P110
8755	7.3	155.26	14.36	2320	112	HW040+NMRV-P110	IHW040+NMRV-P110
10558	6.8	168.00	15.61	2320	112	HW040+NMRV-P110	IHW040+NMRV-P110
7684	6.1	186.32	11.1	2320	112	HW040+NMRV-P110	IHW040+NMRV-P110
11144	5.2	220.00	12.83	2320	112	HW040+NMRV-P110	IHW040+NMRV-P110
8701	4.5	252.00	9.59	2320	112	HW040+NMRV-P110	IHW040+NMRV-P110
10356	4.2	275.00	10	2320	112	HW040+NMRV-P110	IHW040+NMRV-P110
10199	3.7	304.55	8.94	2320	112	HW040+NMRV-P110	IHW040+NMRV-P110
9094	3.5	330.00	7.82	2320	112	HW040+NMRV-P110	IHW040+NMRV-P110
8388	3.0	383.33	5.91	2320	112	HW040+NMRV-P110	IHW040+NMRV-P110
7610	2.6	440.00	5.37	2320	112	HW040+NMRV-P110	IHW040+NMRV-P110
9379	2.5	460.00	5.91	2320	112	HW040+NMRV-P110	IHW040+NMRV-P110
8116	2.2	525.00	4.51	2320	112	HW040+NMRV-P110	IHW040+NMRV-P110
7885	1.9	613.33	4.07	2320	112	HW040+NMRV-P110	IHW040+NMRV-P110
7971	1.6	700.00	3.63	2320	112	HW040+NMRV-P110	IHW040+NMRV-P110
6608	1.5	766.67	3.03	2320	112	HW040+NMRV-P110	IHW040+NMRV-P110
6660	1.3	875.00	2.7	2320	112	HW040+NMRV-P110	IHW040+NMRV-P110

Maximum torque [in-lbs]	Output speed [rpm]	Exact ratio i	Maximum Power [HP]	OHL		Gear Reducer	
				Output shaft [lbs]	Input shaft [lbs]	Motorized Input	Shaft Input
475	79.2	22.08	6.53	417	-	HA31+NMRV040	-
522	73.7	23.75	6.58	364	-	HA31+NMRV040	-
534	68.6	25.50	6.28	364	-	HA31+NMRV040	-
499	59.4	29.44	5.27	459	-	HA31+NMRV040	-
565	55.6	31.50	5.42	494	-	HA31+NMRV040	-
558	49.1	35.63	4.86	417	-	HA31+NMRV040	-
580	42.8	40.91	4.42	417	-	HA31+NMRV040	-
517	39.6	44.17	3.87	525	-	HA31+NMRV040	-
569	36.8	47.50	3.83	459	-	HA31+NMRV040	-
586	32.1	54.55	3.46	459	-	HA31+NMRV040	-
486	29.7	58.89	2.84	578	-	HA31+NMRV040	-
601	27.8	63.00	3.1	622	-	HA31+NMRV040	-
583	24.6	71.25	2.78	525	-	HA31+NMRV040	-
621	22.2	78.75	2.58	622	-	HA31+NMRV040	-
530	19.8	88.33	2.35	661	-	HA31+NMRV040	-
612	18.5	94.50	2.22	713	-	HA31+NMRV040	-
542	17.2	102.00	1.9	578	-	HA31+NMRV040	-
547	16.0	109.09	1.8	578	-	HA31+NMRV040	-
630	14.8	118.13	1.85	713	-	HA31+NMRV040	-
498	13.7	127.50	1.47	622	-	HA31+NMRV040	-
591	12.3	142.50	1.7	661	-	HA31+NMRV040	-
523	11.3	154.67	1.48	728	-	HA31+NMRV040	-
607	10.7	163.64	1.54	661	-	HA31+NMRV040	-
621	9.3	189.00	1.38	785	-	HA31+NMRV040	-
546	8.6	204.00	1.21	728	-	HA31+NMRV040	-
820	79.2	22.08	11.14	572	-	HA31+NMRV050	-
603	73.7	23.75	7.6	500	-	HA31+NMRV050	-
628	68.6	25.50	7.39	500	-	HA31+NMRV050	-
956	59.4	29.44	9.95	629	-	HA31+NMRV050	-
623	55.6	31.50	5.98	678	-	HA31+NMRV050	-
883	49.1	35.63	7.59	572	-	HA31+NMRV050	-
918	42.8	40.91	6.92	572	-	HA31+NMRV050	-
956	39.6	44.17	7.06	721	-	HA31+NMRV050	-
1093	36.8	47.50	7.22	629	-	HA31+NMRV050	-
1127	32.1	54.55	6.53	629	-	HA31+NMRV050	-
850	29.7	58.89	4.89	793	-	HA31+NMRV050	-
1157	27.8	63.00	5.83	854	-	HA31+NMRV050	-
1086	24.6	71.25	5.13	721	-	HA31+NMRV050	-
1128	22.2	78.75	4.58	854	-	HA31+NMRV050	-
960	19.8	88.33	4.18	908	-	HA31+NMRV050	-
1144	18.5	94.50	4.14	978	-	HA31+NMRV050	-
978	17.2	102.00	3.4	793	-	HA31+NMRV050	-
991	16.0	109.09	3.24	793	-	HA31+NMRV050	-

Maximum torque [in-lbs]	Output speed [rpm]	Exact ratio i	Maximum Power [HP]	OHL		Gear Reducer	
				Output shaft [lbs]	Input shaft [lbs]	Motorized Input	Shaft Input
1180	14.8	118.13	3.45	978	-	HA31+NMRV050	-
898	13.7	127.50	2.65	854	-	HA31+NMRV050	-
1124	12.3	142.50	3.18	908	-	HA31+NMRV050	-
956	11.3	154.67	2.65	999	-	HA31+NMRV050	-
1169	10.7	163.64	2.92	908	-	HA31+NMRV050	-
1210	9.3	189.00	2.65	1088	-	HA31+NMRV050	-
1017	8.6	204.00	2.22	999	-	HA31+NMRV050	-
1262	7.4	236.25	2.24	1088	-	HA31+NMRV050	-
1054	6.9	252.00	1.91	1088	-	HA31+NMRV050	-
977	6.4	272.73	1.73	1076	-	HA31+NMRV050	-
840	6.1	285.00	1.51	1088	-	HA31+NMRV050	-
1007	5.6	315.00	1.57	1088	-	HA31+NMRV050	-
1538	79.2	22.08	20.29	748	-	HW030+NMRV-P063	-
1682	60.3	29.00	17.18	748	-	HW030+NMRV-P063	-
1692	45.3	38.67	13.6	823	-	HW030+NMRV-P063	-
1672	39.6	44.17	12.1	942	-	HW030+NMRV-P063	-
1813	36.8	47.50	11.98	823	-	HW030+NMRV-P063	-
1829	30.2	58.00	10.32	942	-	HW030+NMRV-P063	-
1960	24.6	71.25	9.14	942	-	HW030+NMRV-P063	-
1816	22.6	77.33	8.02	1037	-	HW030+NMRV-P063	-
2053	21.4	81.82	8.41	942	-	HW030+NMRV-P063	-
1778	19.8	88.33	7.55	1187	-	HW030+NMRV-P063	-
1997	18.4	95.00	7.31	1037	-	HW030+NMRV-P063	-
2099	16.0	109.09	6.77	1037	-	HW030+NMRV-P063	-
2320	14.8	118.13	6.7	1278	-	HW030+NMRV-P063	-
1913	12.8	136.36	5.15	1117	-	HW030+NMRV-P063	-
2085	12.3	142.50	5.81	1187	-	HW030+NMRV-P063	-
2308	11.1	157.50	5.28	1407	-	HW030+NMRV-P063	-
2184	10.7	163.64	5.37	1187	-	HW030+NMRV-P063	-
1490	9.9	176.67	3.82	1410	-	HW030+NMRV-P063	-
2098	8.9	196.88	4.01	1410	-	HW030+NMRV-P063	-
2115	8.0	218.18	4.2	1306	-	HW030+NMRV-P063	-
2468	7.4	236.25	4.31	1410	-	HW030+NMRV-P063	-
1959	6.4	272.73	3.37	1407	-	HW030+NMRV-P063	-
2299	5.6	315.00	3.28	1410	-	HW030+NMRV-P063	-
2089	4.4	393.75	2.57	1410	-	HW030+NMRV-P063	-
2392	4.0	433.33	2.53	1410	-	HW030+NMRV-P063	-
1896	3.7	472.50	2.1	1410	-	HW030+NMRV-P063	-
2167	3.2	541.67	1.97	1410	-	HW030+NMRV-P063	-
1958	2.7	650.00	1.62	1410	-	HW030+NMRV-P063	-
1145	2.2	787.50	0.98	1410	-	HW030+NMRV-P063	-
1458	2.0	866.67	1.03	1410	-	HW030+NMRV-P063	-
1145	1.6	1083.33	0.74	1410	-	HW030+NMRV-P063	-

Maximum torque [in-lbs]	Output speed [rpm]	Exact ratio i	Maximum Power [HP]	OHL		Gear Reducer	
				Output shaft [lbs]	Input shaft [lbs]	Motorized Input	Shaft Input
2133	79.2	22.08	28.14	882	-	HW030+NMRV-P075	-
2377	60.3	29.00	24.28	882	-	HW030+NMRV-P075	-
2469	45.3	38.67	19.84	971	-	HW030+NMRV-P075	-
2658	39.6	44.17	19.24	1112	-	HW030+NMRV-P075	-
2646	36.8	47.50	17.49	971	-	HW030+NMRV-P075	-
2909	30.2	58.00	16.42	1112	-	HW030+NMRV-P075	-
3117	24.6	71.25	14.54	1112	-	HW030+NMRV-P075	-
3057	22.6	77.33	13.49	1224	-	HW030+NMRV-P075	-
3264	21.4	81.82	13.37	1112	-	HW030+NMRV-P075	-
2873	19.8	88.33	12.19	1401	-	HW030+NMRV-P075	-
3366	18.4	95.00	12.33	1224	-	HW030+NMRV-P075	-
3525	16.0	109.09	11.37	1224	-	HW030+NMRV-P075	-
3144	15.1	116.00	10.53	1401	-	HW030+NMRV-P075	-
3183	12.8	136.36	8.57	1318	-	HW030+NMRV-P075	-
3369	12.3	142.50	9.39	1401	-	HW030+NMRV-P075	-
3081	11.3	154.67	8.26	1542	-	HW030+NMRV-P075	-
3528	10.7	163.64	8.67	1401	-	HW030+NMRV-P075	-
2492	9.9	176.67	6.39	1659	-	HW030+NMRV-P075	-
3508	8.9	196.88	6.7	1659	-	HW030+NMRV-P075	-
3457	8.0	218.18	6.87	1542	-	HW030+NMRV-P075	-
3987	7.4	236.25	6.97	1659	-	HW030+NMRV-P075	-
3190	6.4	272.73	5.49	1659	-	HW030+NMRV-P075	-
3798	5.6	315.00	5.41	1659	-	HW030+NMRV-P075	-
3416	4.4	393.75	4.2	1659	-	HW030+NMRV-P075	-
3239	3.7	472.50	3.58	1659	-	HW030+NMRV-P075	-
3062	3.2	541.67	2.79	1659	-	HW030+NMRV-P075	-
3352	2.7	650.00	2.77	1659	-	HW030+NMRV-P075	-
1973	2.2	787.50	1.7	1659	-	HW030+NMRV-P075	-
2527	2.0	866.67	1.79	1659	-	HW030+NMRV-P075	-
2010	1.6	1083.33	1.3	1659	-	HW030+NMRV-P075	-
3672	75.1	23.29	46.22	976	67	HW040+NMRV-P090	IHW040+NMRV-P090
4074	56.4	31.05	38.81	1075	90	HW040+NMRV-P090	IHW040+NMRV-P090
4373	41.7	42.00	31.34	1075	90	HW040+NMRV-P090	IHW040+NMRV-P090
4584	37.6	46.58	30.09	1230	90	HW040+NMRV-P090	IHW040+NMRV-P090
5069	27.8	63.00	25.2	1230	90	HW040+NMRV-P090	IHW040+NMRV-P090
3927	22.5	77.63	16.68	1458	90	HW040+NMRV-P090	IHW040+NMRV-P090
4862	20.8	84.00	18.83	1354	90	HW040+NMRV-P090	IHW040+NMRV-P090
4924	18.8	93.16	18.33	1550	90	HW040+NMRV-P090	IHW040+NMRV-P090
5319	15.9	110.00	16	1354	90	HW040+NMRV-P090	IHW040+NMRV-P090
5445	13.9	126.00	15.5	1550	90	HW040+NMRV-P090	IHW040+NMRV-P090
5235	12.7	137.50	13.11	1458	90	HW040+NMRV-P090	IHW040+NMRV-P090
4139	11.3	155.26	10.35	1838	90	HW040+NMRV-P090	IHW040+NMRV-P090
5957	10.6	165.00	13.26	1550	90	HW040+NMRV-P090	IHW040+NMRV-P090

Maximum torque [in-lbs]	Output speed [rpm]	Exact ratio i	Maximum Power [HP]	OHL		Gear Reducer	
				Output shaft [lbs]	Input shaft [lbs]	Motorized Input	Shaft Input
3700	9.4	186.32	8.21	1839	90	HW040+NMRV-P090	IHW040+NMRV-P090
5432	8.0	220.00	9.78	1706	90	HW040+NMRV-P090	IHW040+NMRV-P090
4149	6.9	252.00	7.15	1839	90	HW040+NMRV-P090	IHW040+NMRV-P090
5075	6.4	275.00	7.75	1838	90	HW040+NMRV-P090	IHW040+NMRV-P090
5192	5.8	304.55	7.23	1839	90	HW040+NMRV-P090	IHW040+NMRV-P090
4450	5.3	330.00	6.06	1839	90	HW040+NMRV-P090	IHW040+NMRV-P090
5417	4.6	383.33	6.11	1839	90	HW040+NMRV-P090	IHW040+NMRV-P090
5525	4.0	437.50	5.52	1839	90	HW040+NMRV-P090	IHW040+NMRV-P090
4725	3.8	460.00	4.77	1839	90	HW040+NMRV-P090	IHW040+NMRV-P090
4811	3.3	525.00	4.3	1839	90	HW040+NMRV-P090	IHW040+NMRV-P090
3771	2.9	613.33	3.15	1839	90	HW040+NMRV-P090	IHW040+NMRV-P090
3828	2.5	700.00	2.83	1839	90	HW040+NMRV-P090	IHW040+NMRV-P090
3110	2.3	766.67	2.31	1839	90	HW040+NMRV-P090	IHW040+NMRV-P090
3130	2.0	875.00	2.06	1839	90	HW040+NMRV-P090	IHW040+NMRV-P090
3723	75.1	23.29	46.21	1234	67	HW040+NMRV-P110	IHW040+NMRV-P110
4851	56.4	31.05	46.21	1358	67	HW040+NMRV-P110	IHW040+NMRV-P110
4373	41.7	42.00	31.34	1358	112	HW040+NMRV-P110	IHW040+NMRV-P110
7124	37.6	46.58	46.21	1554	67	HW040+NMRV-P110	IHW040+NMRV-P110
6932	28.2	62.11	34.55	1711	112	HW040+NMRV-P110	IHW040+NMRV-P110
7335	22.5	77.63	29.98	1843	112	HW040+NMRV-P110	IHW040+NMRV-P110
8301	20.8	84.00	31.34	1711	112	HW040+NMRV-P110	IHW040+NMRV-P110
8117	18.8	93.16	29.72	1958	112	HW040+NMRV-P110	IHW040+NMRV-P110
8976	16.7	105.00	27.8	1843	112	HW040+NMRV-P110	IHW040+NMRV-P110
9812	13.9	126.00	27.66	1958	112	HW040+NMRV-P110	IHW040+NMRV-P110
8302	12.7	137.50	19.97	1843	112	HW040+NMRV-P110	IHW040+NMRV-P110
7326	11.3	155.26	17.56	2320	112	HW040+NMRV-P110	IHW040+NMRV-P110
8990	10.4	168.00	19.55	2155	112	HW040+NMRV-P110	IHW040+NMRV-P110
6543	9.4	186.32	13.63	2320	112	HW040+NMRV-P110	IHW040+NMRV-P110
9867	8.0	220.00	16.87	2155	112	HW040+NMRV-P110	IHW040+NMRV-P110
7396	6.9	252.00	11.93	2320	112	HW040+NMRV-P110	IHW040+NMRV-P110
9111	6.4	275.00	13.12	2320	112	HW040+NMRV-P110	IHW040+NMRV-P110
9335	5.8	304.55	12.24	2320	112	HW040+NMRV-P110	IHW040+NMRV-P110
7968	5.3	330.00	10.13	2320	112	HW040+NMRV-P110	IHW040+NMRV-P110
8294	4.6	383.33	8.77	2320	112	HW040+NMRV-P110	IHW040+NMRV-P110
6637	4.0	440.00	6.95	2320	112	HW040+NMRV-P110	IHW040+NMRV-P110
8491	3.8	460.00	7.98	2320	112	HW040+NMRV-P110	IHW040+NMRV-P110
8008	3.3	525.00	6.66	2320	112	HW040+NMRV-P110	IHW040+NMRV-P110
7022	2.9	613.33	5.42	2320	112	HW040+NMRV-P110	IHW040+NMRV-P110
7143	2.5	700.00	4.88	2320	112	HW040+NMRV-P110	IHW040+NMRV-P110
5645	2.3	766.67	3.84	2320	112	HW040+NMRV-P110	IHW040+NMRV-P110
5681	2.0	875.00	3.43	2320	112	HW040+NMRV-P110	IHW040+NMRV-P110



0.12 HP

Output speed [rpm]	Service factor sf	Output torque [in-lbs]	Ratio Stage 1	Ratio Stage 2	Exact ratio i	Max. torque [in-lbs]	OHL Output shaft [lbs]	Gearmotor		Gear Reducer	
								Reducer	Motor	Reducer	NEMA C-input
16.2	2.3	278	10.00	10.00	100.00	628	622	NMRV025/040	TS56B4	-	-
16.2	2.3	278	10.00	10.00	100.00	628	622	NMRV030/040	TS56B4	-	-
16.2	1.0	271	10.00	10.00	100.00	283	323	NMRV025/030	TS56B4	-	-
10.8	3.0	395	10.00	15.00	150.00	1195	978	NMRV030/050	TS56B4	-	-
10.8	1.6	395	10.00	15.00	150.00	637	713	NMRV030/040	TS56B4	-	-
10.8	1.5	382	7.50	20.00	150.00	575	784	NMRV025/040	TS56B4	-	-
8.1	2.1	498	10.00	20.00	200.00	1062	1076	NMRV030/050	TS56B4	-	-
8.1	1.2	498	10.00	20.00	200.00	575	784	NMRV025/040	TS56B4	-	-
8.1	1.2	498	10.00	20.00	200.00	575	784	NMRV030/040	TS56B4	-	-
6.5	3.4	604	10.00	25.00	250.00	2045	1410	NMRV-P030/063	TS56B4	-	-
6.5	1.7	586	10.00	25.00	250.00	974	1088	NMRV030/050	TS56B4	-	-
5.4	3.6	621	7.50	40.00	300.00	2259	1410	NMRV-P030/063	TS56B4	-	-
5.4	2.0	649	10.00	30.00	300.00	1283	1088	NMRV030/050	TS56B4	-	-
5.4	1.0	639	10.00	30.00	300.00	646	785	NMRV025/040	TS56B4	-	-
5.4	1.0	639	10.00	30.00	300.00	646	785	NMRV030/040	TS56B4	-	-
4.0	2.8	808	10.00	40.00	400.00	2259	1410	NMRV-P030/063	TS56B4	-	-
4.0	1.4	779	10.00	40.00	400.00	1097	1088	NMRV030/050	TS56B4	-	-
3.2	2.2	938	10.00	50.00	500.00	2089	1410	NMRV-P030/063	TS56B4	-	-
3.2	1.1	1082	50.00	10.00	500.00	1213	854	NMRV040/050	TS56B4	-	-
3.2	1.2	902	10.00	50.00	500.00	1062	1088	NMRV030/050	TS56B4	-	-
2.7	2.0	1177	20.00	30.00	600.00	2398	1410	NMRV-P030/063	TS56B4	-	-
2.7	1.1	1158	20.00	30.00	600.00	1283	1088	NMRV030/050	TS56B4	-	-
2.2	1.7	1372	25.00	30.00	750.00	2398	1410	NMRV-P030/063	TS56B4	-	-
1.8	1.5	1575	30.00	30.00	900.00	2398	1410	NMRV-P030/063	TS56B4	-	-
1.4	1.3	1909	40.00	30.00	1200.00	2398	1410	NMRV-P030/063	TS56B4	-	-
1.1	2.3	2752	50.00	30.00	1500.00	6196	1839	NMRV-P040/090	TS56B4	-	-
1.1	1.5	2629	50.00	30.00	1500.00	3929	1659	NMRV-P040/075	TS56B4	-	-
1.1	1.1	2227	50.00	30.00	1500.00	2398	1410	NMRV-P030/063	TS56B4	-	-
0.9	2.0	3093	60.00	30.00	1800.00	6196	1839	NMRV-P040/090	TS56B4	-	-
0.9	1.3	2955	60.00	30.00	1800.00	3929	1659	NMRV-P040/075	TS56B4	-	-
0.7	1.4	3816	60.00	40.00	2400.00	5399	1839	NMRV-P040/090	TS56B4	-	-
0.7	1.0	3632	60.00	40.00	2400.00	3664	1659	NMRV-P040/075	TS56B4	-	-
0.5	1.1	4463	60.00	50.00	3000.00	4956	1839	NMRV-P040/090	TS56B4	-	-

0.16 HP

Output speed [rpm]	Service factor sf	Output torque [in-lbs]	Ratio Stage 1	Ratio Stage 2	Exact ratio i	Max. torque [in-lbs]	OHL Output shaft [lbs]	Gearmotor		Gear Reducer	
								Reducer	Motor	Reducer	NEMA C-input
17.5	2.4	3855	10.00	10.00	100.00	9201	2410	-	-	NMRV-P063/130	56C
17.5	2.4	3809	10.00	10.00	100.00	9090	1843	-	-	NMRV-P063/110	56C
17.5	1.4	3790	10.00	10.00	100.00	5446	1843	-	-	NMRV-P050/110	56C
17.5	1.4	3790	10.00	10.00	100.00	5222	1458	-	-	NMRV-P050/090	56C

0.16 HP

Output speed [rpm]	Service factor sf	Output torque [in-lbs]	Ratio Stage 1	Ratio Stage 2	Exact ratio i	Max. torque [in-lbs]	OHL Output shaft [lbs]	Gearmotor		Gear Reducer	
								Reducer	Motor	Reducer	NEMA C-input
16.7	3.3	380	10.00	10.00	100.00	1264	1117	NMRV-P030/063	TS63A4	-	-
16.7	3.2	380	10.00	10.00	100.00	1213	854	NMRV030/050	TS63A4	-	-
16.7	3.1	389	10.00	10.00	100.00	1213	854	NMRV040/050	TS63A4	-	-
16.7	1.7	370	10.00	10.00	100.00	628	622	NMRV030/040	TS63A4	-	-
11.7	3.0	5488	7.50	20.00	150.00	16575	4047	-	-	NMRV-P063/150	56C
11.7	2.4	5435	10.00	15.00	150.00	12969	2759	-	-	NMRV-P063/130	56C
11.7	1.9	5504	10.00	15.00	150.00	10585	2110	-	-	NMRV-P063/110	56C
11.7	1.4	5477	10.00	15.00	150.00	7871	2110	-	-	NMRV-P050/110	56C
11.7	1.1	5408	10.00	15.00	150.00	5841	1669	-	-	NMRV-P050/090	56C
11.1	3.3	534	10.00	15.00	150.00	1777	1278	NMRV-P030/063	TS63A4	-	-
11.1	2.3	527	10.00	15.00	150.00	1195	978	NMRV030/050	TS63A4	-	-
11.1	2.2	539	10.00	15.00	150.00	1195	978	NMRV040/050	TS63A4	-	-
11.1	1.2	527	10.00	15.00	150.00	637	713	NMRV030/040	TS63A4	-	-
8.8	2.4	7153	10.00	20.00	200.00	17071	4047	-	-	NMRV-P063/150	56C
8.8	2.0	7153	10.00	20.00	200.00	14161	3035	-	-	NMRV-P063/130	56C
8.8	1.4	7118	10.00	20.00	200.00	10081	2320	-	-	NMRV-P050/110	56C
8.8	1.4	7153	10.00	20.00	200.00	10081	2320	-	-	NMRV-P063/110	56C
8.3	3.3	673	10.00	20.00	200.00	2239	1407	NMRV-P030/063	TS63A4	-	-
8.3	3.2	690	10.00	20.00	200.00	2239	1407	NMRV-P040/063	TS63A4	-	-
8.3	1.6	664	10.00	20.00	200.00	1062	1076	NMRV030/050	TS63A4	-	-
8.3	1.6	680	10.00	20.00	200.00	1062	1076	NMRV040/050	TS63A4	-	-
7.0	2.1	8709	10.00	25.00	250.00	18144	4047	-	-	NMRV-P063/150	56C
7.0	1.6	8709	10.00	25.00	250.00	13542	3035	-	-	NMRV-P063/130	56C
7.0	1.2	8667	10.00	25.00	250.00	10382	2320	-	-	NMRV-P050/110	56C
7.0	1.2	8709	10.00	25.00	250.00	10382	2320	-	-	NMRV-P063/110	56C
6.7	4.0	850	10.00	25.00	250.00	3359	1659	NMRV-P040/075	TS63A4	-	-
6.7	2.5	806	10.00	25.00	250.00	2045	1410	NMRV-P030/063	TS63A4	-	-
6.7	2.5	825	10.00	25.00	250.00	2045	1410	NMRV-P040/063	TS63A4	-	-
6.7	1.2	782	10.00	25.00	250.00	974	1088	NMRV030/050	TS63A4	-	-
6.7	1.2	801	10.00	25.00	250.00	974	1088	NMRV040/050	TS63A4	-	-
5.8	1.8	10388	15.00	20.00	300.00	19038	4047	-	-	NMRV-P063/150	56C
5.8	1.6	9476	10.00	30.00	300.00	15577	3035	-	-	NMRV-P063/130	56C
5.8	1.2	9291	10.00	30.00	300.00	11196	2320	-	-	NMRV-P050/110	56C
5.8	1.2	9337	10.00	30.00	300.00	11196	2320	-	-	NMRV-P063/110	56C
5.6	2.7	902	10.00	30.00	300.00	2398	1410	NMRV-P040/063	TS63A4	-	-
5.6	2.7	828	7.50	40.00	300.00	2259	1410	NMRV-P030/063	TS63A4	-	-
5.6	1.5	866	10.00	30.00	300.00	1283	1088	NMRV030/050	TS63A4	-	-
5.6	1.4	887	10.00	30.00	300.00	1283	1088	NMRV040/050	TS63A4	-	-
4.4	1.9	12263	10.00	40.00	400.00	23631	4047	-	-	NMRV-P063/150	56C
4.4	1.2	12077	10.00	40.00	400.00	14604	3035	-	-	NMRV-P063/130	56C
4.2	3.2	1163	10.00	40.00	400.00	3664	1659	NMRV-P040/075	TS63A4	-	-

0.16 HP

Output speed [rpm]	Service factor sf	Output torque [in-lbs]	Ratio Stage 1	Ratio Stage 2	Exact ratio i	Max. torque [in-lbs]	OHL Output shaft [lbs]	Gearmotor		Gear Reducer	
								Reducer	Motor	Reducer	NEMA C-input
4.2	2.1	1078	10.00	40.00	400.00	2259	1410	NMRV-P030/063	TS63A4	-	-
4.2	2.0	1104	10.00	40.00	400.00	2259	1410	NMRV-P040/063	TS63A4	-	-
4.2	1.1	1039	10.00	40.00	400.00	1097	1088	NMRV030/050	TS63A4	-	-
4.2	1.0	1064	10.00	40.00	400.00	1097	1088	NMRV040/050	TS63A4	-	-
3.5	1.4	14400	10.00	50.00	500.00	20622	4047	-	-	NMRV-P063/150	56C
3.3	3.5	1429	10.00	50.00	500.00	4956	1839	NMRV-P040/090	TS63A4	-	-
3.3	2.4	1330	10.00	50.00	500.00	3257	1659	NMRV-P040/075	TS63A4	-	-
3.3	1.7	1251	10.00	50.00	500.00	2089	1410	NMRV-P030/063	TS63A4	-	-
3.3	1.3	1534	20.00	25.00	500.00	2045	1410	NMRV-P040/063	TS63A4	-	-
2.9	1.3	17808	15.00	40.00	600.00	23631	4047	-	-	NMRV-P063/150	56C
2.8	3.4	1841	20.00	30.00	600.00	6196	1839	NMRV-P040/090	TS63A4	-	-
2.8	2.2	1758	20.00	30.00	600.00	3929	1659	NMRV-P040/075	TS63A4	-	-
2.8	1.5	1570	20.00	30.00	600.00	2398	1410	NMRV-P030/063	TS63A4	-	-
2.8	1.4	1676	20.00	30.00	600.00	2398	1410	NMRV-P040/063	TS63A4	-	-
2.2	2.8	2213	25.00	30.00	750.00	6196	1839	NMRV-P040/090	TS63A4	-	-
2.2	1.9	2114	25.00	30.00	750.00	3929	1659	NMRV-P040/075	TS63A4	-	-
2.2	1.3	1830	25.00	30.00	750.00	2398	1410	NMRV-P030/063	TS63A4	-	-
2.2	1.2	2015	25.00	30.00	750.00	2398	1410	NMRV-P040/063	TS63A4	-	-
1.9	2.5	2481	30.00	30.00	900.00	6196	1839	NMRV-P040/090	TS63A4	-	-
1.9	1.7	2370	30.00	30.00	900.00	3929	1659	NMRV-P040/075	TS63A4	-	-
1.9	1.1	2100	30.00	30.00	900.00	2398	1410	NMRV-P030/063	TS63A4	-	-
1.9	1.1	2259	30.00	30.00	900.00	2398	1410	NMRV-P040/063	TS63A4	-	-
1.4	3.5	3169	40.00	30.00	1200.00	11196	2320	NMRV-P050/110	TS63A4	-	-
1.4	2.0	3076	40.00	30.00	1200.00	6196	1839	NMRV-P040/090	TS63A4	-	-
1.4	2.0	3169	40.00	30.00	1200.00	6196	1839	NMRV-P050/090	TS63A4	-	-
1.4	1.3	2938	40.00	30.00	1200.00	3929	1659	NMRV-P040/075	TS63A4	-	-
1.1	3.0	3728	50.00	30.00	1500.00	11196	2320	NMRV-P050/110	TS63A4	-	-
1.1	1.7	3670	50.00	30.00	1500.00	6196	1839	NMRV-P040/090	TS63A4	-	-
1.1	1.7	3728	50.00	30.00	1500.00	6196	1839	NMRV-P050/090	TS63A4	-	-
1.1	1.1	3505	50.00	30.00	1500.00	3929	1659	NMRV-P040/075	TS63A4	-	-
0.9	2.7	4194	60.00	30.00	1800.00	11196	2320	NMRV-P050/110	TS63A4	-	-
0.9	1.5	4194	60.00	30.00	1800.00	6196	1839	NMRV-P050/090	TS63A4	-	-
0.9	1.5	4124	60.00	30.00	1800.00	6196	1839	NMRV-P040/090	TS63A4	-	-
0.7	1.9	5425	60.00	40.00	2400.00	10488	2320	NMRV-P050/110	TS63A4	-	-
0.7	1.0	5175	60.00	40.00	2400.00	5399	1839	NMRV-P050/090	TS63A4	-	-
0.7	1.1	5088	60.00	40.00	2400.00	5399	1839	NMRV-P040/090	TS63A4	-	-
0.6	1.5	6468	60.00	50.00	3000.00	9736	2320	NMRV-P050/110	TS63A4	-	-
0.4	1.3	7762	80.00	50.00	4000.00	9736	2320	NMRV-P050/110	TS63A4	-	-
0.3	1.1	8984	100.00	50.00	5000.00	9736	2320	NMRV-P050/110	TS63A4	-	-

0.25 HP

Output speed [rpm]	Service factor sf	Output torque [in-lbs]	Ratio Stage 1	Ratio Stage 2	Exact ratio i	Max. torque [in-lbs]	OHL Output shaft [lbs]	Gearmotor		Gear Reducer	
								Reducer	Motor	Reducer	NEMA C-input
17.5	2.4	3855	10.00	10.00	100.00	9201	2410	-	-	NMRV-P063/130	56C
17.5	2.4	3809	10.00	10.00	100.00	9090	1843	-	-	NMRV-P063/110	56C
17.5	1.4	3790	10.00	10.00	100.00	5446	1843	-	-	NMRV-P050/110	56C
17.5	1.4	3790	10.00	10.00	100.00	5222	1458	-	-	NMRV-P050/090	56C
16.7	3.9	584	10.00	10.00	100.00	2277	1117	NMRV-P040/063	TS63B4	-	-
16.7	2.2	570	10.00	10.00	100.00	1264	1117	NMRV-P030/063	TS63B4	-	-
16.7	2.1	570	10.00	10.00	100.00	1213	854	NMRV030/050	TS63B4	-	-
16.7	2.1	584	10.00	10.00	100.00	1213	854	NMRV040/050	TS63B4	-	-
16.7	1.1	556	10.00	10.00	100.00	628	622	NMRV030/040	TS63B4	-	-
11.7	3.0	5488	7.50	20.00	150.00	16575	4047	-	-	NMRV-P063/150	56C
11.7	2.4	5435	10.00	15.00	150.00	12969	2759	-	-	NMRV-P063/130	56C
11.7	1.9	5504	10.00	15.00	150.00	10585	2110	-	-	NMRV-P063/110	56C
11.7	1.4	5477	10.00	15.00	150.00	7871	2110	-	-	NMRV-P050/110	56C
11.7	1.1	5408	10.00	15.00	150.00	5841	1669	-	-	NMRV-P050/090	56C
11.1	2.8	820	10.00	15.00	150.00	2300	1278	NMRV-P040/063	TS63B4	-	-
11.1	2.2	801	10.00	15.00	150.00	1777	1278	NMRV-P030/063	TS63B4	-	-
11.1	1.5	790	10.00	15.00	150.00	1195	978	NMRV030/050	TS63B4	-	-
11.1	1.5	809	10.00	15.00	150.00	1195	978	NMRV040/050	TS63B4	-	-
8.8	2.4	7153	10.00	20.00	200.00	17071	4047	-	-	NMRV-P063/150	56C
8.8	2.0	7153	10.00	20.00	200.00	14161	3035	-	-	NMRV-P063/130	56C
8.8	1.4	7118	10.00	20.00	200.00	10081	2320	-	-	NMRV-P050/110	56C
8.8	1.4	7153	10.00	20.00	200.00	10081	2320	-	-	NMRV-P063/110	56C
8.3	3.5	1064	10.00	20.00	200.00	3715	1659	NMRV-P040/075	TS63B4	-	-
8.3	2.2	1010	10.00	20.00	200.00	2239	1407	NMRV-P030/063	TS63B4	-	-
8.3	2.2	1035	10.00	20.00	200.00	2239	1407	NMRV-P040/063	TS63B4	-	-
8.3	1.1	996	10.00	20.00	200.00	1062	1076	NMRV030/050	TS63B4	-	-
8.3	1.0	1020	10.00	20.00	200.00	1062	1076	NMRV040/050	TS63B4	-	-
7.0	2.1	8709	10.00	25.00	250.00	18144	4047	-	-	NMRV-P063/150	56C
7.0	1.6	8709	10.00	25.00	250.00	13542	3035	-	-	NMRV-P063/130	56C
7.0	1.2	8667	10.00	25.00	250.00	10382	2320	-	-	NMRV-P050/110	56C
7.0	1.2	8709	10.00	25.00	250.00	10382	2320	-	-	NMRV-P063/110	56C
6.7	3.8	1330	10.00	25.00	250.00	5045	1839	NMRV-P040/090	TS63B4	-	-
6.7	2.6	1275	10.00	25.00	250.00	3359	1659	NMRV-P040/075	TS63B4	-	-
6.7	1.7	1209	10.00	25.00	250.00	2045	1410	NMRV-P030/063	TS63B4	-	-
6.7	1.7	1238	10.00	25.00	250.00	2045	1410	NMRV-P040/063	TS63B4	-	-
5.8	1.8	10388	15.00	20.00	300.00	19038	4047	-	-	NMRV-P063/150	56C
5.8	1.6	9476	10.00	30.00	300.00	15577	3035	-	-	NMRV-P063/130	56C
5.8	1.2	9291	10.00	30.00	300.00	11196	2320	-	-	NMRV-P050/110	56C
5.8	1.2	9337	10.00	30.00	300.00	11196	2320	-	-	NMRV-P063/110	56C
5.6	2.8	1419	10.00	30.00	300.00	3929	1659	NMRV-P040/075	TS63B4	-	-
5.6	1.8	1352	10.00	30.00	300.00	2398	1410	NMRV-P040/063	TS63B4	-	-

0.25 HP

Output speed [rpm]	Service factor sf	Output torque [in-lbs]	Ratio Stage 1	Ratio Stage 2	Exact ratio i	Max. torque [in-lbs]	OHL Output shaft [lbs]	Gearmotor		Gear Reducer	
								Reducer	Motor	Reducer	NEMA C-input
5.6	1.8	1241	7.50	40.00	300.00	2259	1410	NMRV-P030/063	TS63B4	-	-
4.4	1.9	12263	10.00	40.00	400.00	23631	4047	-	-	NMRV-P063/150	56C
4.4	1.2	12077	10.00	40.00	400.00	14604	3035	-	-	NMRV-P063/130	56C
4.2	2.9	1833	10.00	40.00	400.00	5399	1839	NMRV-P040/090	TS63B4	-	-
4.2	2.1	1744	10.00	40.00	400.00	3664	1659	NMRV-P040/075	TS63B4	-	-
4.2	1.4	1616	10.00	40.00	400.00	2259	1410	NMRV-P030/063	TS63B4	-	-
4.2	1.4	1655	10.00	40.00	400.00	2259	1410	NMRV-P040/063	TS63B4	-	-
3.5	1.4	14400	10.00	50.00	500.00	20622	4047	-	-	NMRV-P063/150	56C
3.3	2.3	2143	10.00	50.00	500.00	4956	1839	NMRV-P040/090	TS63B4	-	-
3.3	1.6	1995	10.00	50.00	500.00	3257	1659	NMRV-P040/075	TS63B4	-	-
3.3	1.1	1876	10.00	50.00	500.00	2089	1410	NMRV-P030/063	TS63B4	-	-
2.9	1.3	17808	15.00	40.00	600.00	23631	4047	-	-	NMRV-P063/150	56C
2.8	2.2	2761	20.00	30.00	600.00	6196	1839	NMRV-P040/090	TS63B4	-	-
2.8	1.5	2637	20.00	30.00	600.00	3929	1659	NMRV-P040/075	TS63B4	-	-
2.8	1.0	2355	20.00	30.00	600.00	2398	1410	NMRV-P030/063	TS63B4	-	-
2.2	1.9	3320	25.00	30.00	750.00	6196	1839	NMRV-P040/090	TS63B4	-	-
2.2	1.2	3172	25.00	30.00	750.00	3929	1659	NMRV-P040/075	TS63B4	-	-
1.9	1.7	3722	30.00	30.00	900.00	6196	1839	NMRV-P040/090	TS63B4	-	-
1.9	1.1	3555	30.00	30.00	900.00	3929	1659	NMRV-P040/075	TS63B4	-	-
1.4	2.4	4753	40.00	30.00	1200.00	11196	2320	NMRV-P050/110	TS63B4	-	-
1.4	1.3	4613	40.00	30.00	1200.00	6196	1839	NMRV-P040/090	TS63B4	-	-
1.4	1.3	4753	40.00	30.00	1200.00	6196	1839	NMRV-P050/090	TS63B4	-	-
1.1	2.0	5592	50.00	30.00	1500.00	11196	2320	NMRV-P050/110	TS63B4	-	-
1.1	1.1	5592	50.00	30.00	1500.00	6196	1839	NMRV-P050/090	TS63B4	-	-
1.1	1.1	5505	50.00	30.00	1500.00	6196	1839	NMRV-P040/090	TS63B4	-	-
0.9	1.8	6291	60.00	30.00	1800.00	11196	2320	NMRV-P050/110	TS63B4	-	-
0.9	1.0	6186	60.00	30.00	1800.00	6196	1839	NMRV-P040/090	TS63B4	-	-
0.7	1.3	8138	60.00	40.00	2400.00	10488	2320	NMRV-P050/110	TS63B4	-	-
0.6	1.0	9702	60.00	50.00	3000.00	9736	2320	NMRV-P050/110	TS63B4	-	-

0.33 HP

Output speed [rpm]	Service factor sf	Output torque [in-lbs]	Ratio Stage 1	Ratio Stage 2	Exact ratio i	Max. torque [in-lbs]	OHL Output shaft [lbs]	Gearmotor		Gear Reducer	
								Reducer	Motor	Reducer	NEMA C-input
17.5	2.4	3855	10.00	10.00	100.00	9201	2410	-	-	NMRV-P063/130	56C
17.5	2.4	3809	10.00	10.00	100.00	9090	1843	-	-	NMRV-P063/110	56C
17.5	1.4	3790	10.00	10.00	100.00	5446	1843	-	-	NMRV-P050/110	56C
17.5	1.4	3790	10.00	10.00	100.00	5222	1458	-	-	NMRV-P050/090	56C
16.6	3.6	842	10.00	10.00	100.00	3035	1458	NMRV-P040/090	TS63D4	-	-
17.2	3.6	842	10.00	10.00	100.00	3035	1458	NMRV-P040/090	TS71A4	-	-
16.6	3.6	821	10.00	10.00	100.00	2961	1318	NMRV-P040/075	TS63D4	-	-
17.2	3.6	821	10.00	10.00	100.00	2961	1318	NMRV-P040/075	TS71A4	-	-

0.33 HP

Output speed [rpm]	Service factor sf	Output torque [in-lbs]	Ratio Stage 1	Ratio Stage 2	Exact ratio i	Max. torque [in-lbs]	OHL Output shaft [lbs]	Gearmotor		Gear Reducer	
								Reducer	Motor	Reducer	NEMA C-input
16.6	2.8	811	10.00	10.00	100.00	2277	1117	NMRV-P040/063	TS63D4	-	-
17.2	2.8	811	10.00	10.00	100.00	2277	1117	NMRV-P040/063	TS71A4	-	-
16.6	1.6	792	10.00	10.00	100.00	1264	1117	NMRV-P030/063	TS63D4	-	-
16.6	1.5	792	10.00	10.00	100.00	1213	854	NMRV030/050	TS63D4	-	-
16.6	1.5	811	10.00	10.00	100.00	1213	854	NMRV040/050	TS63D4	-	-
17.2	1.5	811	10.00	10.00	100.00	1213	854	NMRV040/050	TS71A4	-	-
11.7	3.0	5488	7.50	20.00	150.00	16575	4047	-	-	NMRV-P063/150	56C
11.7	2.4	5435	10.00	15.00	150.00	12969	2759	-	-	NMRV-P063/130	56C
11.7	1.9	5504	10.00	15.00	150.00	10585	2110	-	-	NMRV-P063/110	56C
11.7	1.4	5477	10.00	15.00	150.00	7871	2110	-	-	NMRV-P050/110	56C
11.7	1.1	5408	10.00	15.00	150.00	5841	1669	-	-	NMRV-P050/090	56C
11.1	3.6	1201	10.00	15.00	150.00	4330	1669	NMRV-P040/090	TS63D4	-	-
11.5	3.6	1201	10.00	15.00	150.00	4330	1669	NMRV-P040/090	TS71A4	-	-
11.1	3.2	1170	10.00	15.00	150.00	3761	1509	NMRV-P040/075	TS63D4	-	-
11.5	3.2	1170	10.00	15.00	150.00	3761	1509	NMRV-P040/075	TS71A4	-	-
11.1	2.0	1139	10.00	15.00	150.00	2300	1278	NMRV-P040/063	TS63D4	-	-
11.5	2.0	1139	10.00	15.00	150.00	2300	1278	NMRV-P040/063	TS71A4	-	-
11.1	1.6	1112	10.00	15.00	150.00	1777	1278	NMRV-P030/063	TS63D4	-	-
11.1	1.1	1097	10.00	15.00	150.00	1195	978	NMRV030/050	TS63D4	-	-
11.1	1.1	1124	10.00	15.00	150.00	1195	978	NMRV040/050	TS63D4	-	-
11.5	1.1	1124	10.00	15.00	150.00	1195	978	NMRV040/050	TS71A4	-	-
8.8	2.4	7153	10.00	20.00	200.00	17071	4047	-	-	NMRV-P063/150	56C
8.8	2.0	7153	10.00	20.00	200.00	14161	3035	-	-	NMRV-P063/130	56C
8.8	1.4	7118	10.00	20.00	200.00	10081	2320	-	-	NMRV-P050/110	56C
8.8	1.4	7153	10.00	20.00	200.00	10081	2320	-	-	NMRV-P063/110	56C
8.3	3.5	1540	10.00	20.00	200.00	5399	1838	NMRV-P040/090	TS63D4	-	-
8.6	3.5	1540	10.00	20.00	200.00	5399	1838	NMRV-P040/090	TS71A4	-	-
8.6	3.4	1576	10.00	20.00	200.00	5399	1838	NMRV-P050/090	TS71A4	-	-
8.3	2.5	1478	10.00	20.00	200.00	3715	1659	NMRV-P040/075	TS63D4	-	-
8.6	2.5	1478	10.00	20.00	200.00	3715	1659	NMRV-P040/075	TS71A4	-	-
8.3	1.6	1403	10.00	20.00	200.00	2239	1407	NMRV-P030/063	TS63D4	-	-
8.3	1.6	1437	10.00	20.00	200.00	2239	1407	NMRV-P040/063	TS63D4	-	-
8.6	1.6	1437	10.00	20.00	200.00	2239	1407	NMRV-P040/063	TS71A4	-	-
7.0	2.1	8709	10.00	25.00	250.00	18144	4047	-	-	NMRV-P063/150	56C
7.0	1.6	8709	10.00	25.00	250.00	13542	3035	-	-	NMRV-P063/130	56C
7.0	1.2	8667	10.00	25.00	250.00	10382	2320	-	-	NMRV-P050/110	56C
7.0	1.2	8709	10.00	25.00	250.00	10382	2320	-	-	NMRV-P063/110	56C
6.6	2.7	1847	10.00	25.00	250.00	5045	1839	NMRV-P040/090	TS63D4	-	-
6.9	2.7	1847	10.00	25.00	250.00	5045	1839	NMRV-P040/090	TS71A4	-	-
6.9	2.7	1891	10.00	25.00	250.00	5045	1839	NMRV-P050/090	TS71A4	-	-
6.6	1.9	1770	10.00	25.00	250.00	3359	1659	NMRV-P040/075	TS63D4	-	-

0.33 HP

Output speed [rpm]	Service factor sf	Output torque [in-lbs]	Ratio Stage 1	Ratio Stage 2	Exact ratio i	Max. torque [in-lbs]	OHL Output shaft [lbs]	Gearmotor		Gear Reducer	
								Reducer	Motor	Reducer	NEMA C-input
6.9	1.9	1770	10.00	25.00	250.00	3359	1659	NMRV-P040/075	TS71A4	-	-
6.6	1.2	1679	10.00	25.00	250.00	2045	1410	NMRV-P030/063	TS63D4	-	-
6.6	1.2	1719	10.00	25.00	250.00	2045	1410	NMRV-P040/063	TS63D4	-	-
6.9	1.2	1719	10.00	25.00	250.00	2045	1410	NMRV-P040/063	TS71A4	-	-
5.8	1.8	10388	15.00	20.00	300.00	19038	4047	-	-	NMRV-P063/150	56C
5.8	1.6	9476	10.00	30.00	300.00	15577	3035	-	-	NMRV-P063/130	56C
5.8	1.2	9291	10.00	30.00	300.00	11196	2320	-	-	NMRV-P050/110	56C
5.8	1.2	9337	10.00	30.00	300.00	11196	2320	-	-	NMRV-P063/110	56C
5.5	3.0	2063	10.00	30.00	300.00	6196	1839	NMRV-P040/090	TS63D4	-	-
5.7	3.0	2063	10.00	30.00	300.00	6196	1839	NMRV-P040/090	TS71A4	-	-
5.7	2.9	2112	10.00	30.00	300.00	6196	1839	NMRV-P050/090	TS71A4	-	-
5.5	2.0	1971	10.00	30.00	300.00	3929	1659	NMRV-P040/075	TS63D4	-	-
5.7	2.0	1971	10.00	30.00	300.00	3929	1659	NMRV-P040/075	TS71A4	-	-
5.5	1.3	1878	10.00	30.00	300.00	2398	1410	NMRV-P040/063	TS63D4	-	-
5.7	1.3	1878	10.00	30.00	300.00	2398	1410	NMRV-P040/063	TS71A4	-	-
5.5	1.3	1724	7.50	40.00	300.00	2259	1410	NMRV-P030/063	TS63D4	-	-
4.4	1.9	12263	10.00	40.00	400.00	23631	4047	-	-	NMRV-P063/150	56C
4.4	1.2	12077	10.00	40.00	400.00	14604	3035	-	-	NMRV-P063/130	56C
4.3	3.8	2745	10.00	40.00	400.00	10488	2320	NMRV-P063/110	TS71A4	-	-
4.3	3.8	2731	10.00	40.00	400.00	10488	2320	NMRV-P050/110	TS71A4	-	-
4.2	2.1	2545	10.00	40.00	400.00	5399	1839	NMRV-P040/090	TS63D4	-	-
4.3	2.1	2545	10.00	40.00	400.00	5399	1839	NMRV-P040/090	TS71A4	-	-
4.3	2.1	2605	10.00	40.00	400.00	5399	1839	NMRV-P050/090	TS71A4	-	-
4.2	1.5	2422	10.00	40.00	400.00	3664	1659	NMRV-P040/075	TS63D4	-	-
4.3	1.5	2422	10.00	40.00	400.00	3664	1659	NMRV-P040/075	TS71A4	-	-
4.2	1.0	2245	10.00	40.00	400.00	2259	1410	NMRV-P030/063	TS63D4	-	-
3.5	1.4	14400	10.00	50.00	500.00	20622	4047	-	-	NMRV-P063/150	56C
3.4	2.9	3622	20.00	25.00	500.00	10382	2320	NMRV-P050/110	TS71A4	-	-
3.4	2.8	3742	20.00	25.00	500.00	10382	2320	NMRV-P063/110	TS71A4	-	-
3.4	1.5	3478	20.00	25.00	500.00	5045	1839	NMRV-P050/090	TS71A4	-	-
3.3	1.7	2976	10.00	50.00	500.00	4956	1839	NMRV-P040/090	TS63D4	-	-
3.4	1.7	2976	10.00	50.00	500.00	4956	1839	NMRV-P040/090	TS71A4	-	-
3.3	1.2	2771	10.00	50.00	500.00	3257	1659	NMRV-P040/075	TS63D4	-	-
3.4	1.2	2771	10.00	50.00	500.00	3257	1659	NMRV-P040/075	TS71A4	-	-
2.9	1.3	17808	15.00	40.00	600.00	23631	4047	-	-	NMRV-P063/150	56C
2.9	3.8	4071	20.00	30.00	600.00	15577	3035	NMRV-P063/130	TS71A4	-	-
2.9	2.8	4012	20.00	30.00	600.00	11196	2320	NMRV-P063/110	TS71A4	-	-
2.9	2.9	3883	20.00	30.00	600.00	11196	2320	NMRV-P050/110	TS71A4	-	-
2.8	1.6	3835	20.00	30.00	600.00	6196	1839	NMRV-P040/090	TS63D4	-	-
2.9	1.6	3835	20.00	30.00	600.00	6196	1839	NMRV-P040/090	TS71A4	-	-
2.9	1.6	3883	20.00	30.00	600.00	6196	1839	NMRV-P050/090	TS71A4	-	-

0.33 HP

Output speed [rpm]	Service factor sf	Output torque [in-lbs]	Ratio Stage 1	Ratio Stage 2	Exact ratio i	Max. torque [in-lbs]	OHL Output shaft [lbs]	Gearmotor		Gear Reducer	
								Reducer	Motor	Reducer	NEMA C-input
2.8	1.1	3663	20.00	30.00	600.00	3929	1659	NMRV-P040/075	TS63D4	-	-
2.9	1.1	3663	20.00	30.00	600.00	3929	1659	NMRV-P040/075	TS71A4	-	-
2.3	3.2	4918	25.00	30.00	750.00	15577	3035	NMRV-P063/130	TS71A4	-	-
2.3	2.3	4845	25.00	30.00	750.00	11196	2320	NMRV-P063/110	TS71A4	-	-
2.3	2.4	4672	25.00	30.00	750.00	11196	2320	NMRV-P050/110	TS71A4	-	-
2.2	1.3	4611	25.00	30.00	750.00	6196	1839	NMRV-P040/090	TS63D4	-	-
2.3	1.3	4611	25.00	30.00	750.00	6196	1839	NMRV-P040/090	TS71A4	-	-
2.3	1.3	4672	25.00	30.00	750.00	6196	1839	NMRV-P050/090	TS71A4	-	-
1.9	3.1	6018	30.00	30.00	900.00	18587	4047	NMRV-P063/150	TS71A4	-	-
1.9	2.8	5606	30.00	30.00	900.00	15577	3035	NMRV-P063/130	TS71A4	-	-
1.9	2.0	5523	30.00	30.00	900.00	11196	2320	NMRV-P063/110	TS71A4	-	-
1.9	2.1	5315	30.00	30.00	900.00	11196	2320	NMRV-P050/110	TS71A4	-	-
1.8	1.2	5170	30.00	30.00	900.00	6196	1839	NMRV-P040/090	TS63D4	-	-
1.9	1.2	5170	30.00	30.00	900.00	6196	1839	NMRV-P040/090	TS71A4	-	-
1.9	1.2	5315	30.00	30.00	900.00	6196	1839	NMRV-P050/090	TS71A4	-	-
1.4	3.3	7254	30.00	40.00	1200.00	23631	4047	NMRV-P063/150	TS71A4	-	-
1.4	2.2	7101	40.00	30.00	1200.00	15577	3035	NMRV-P063/130	TS71A4	-	-
1.4	1.6	6997	40.00	30.00	1200.00	11196	2320	NMRV-P063/110	TS71A4	-	-
1.4	1.7	6602	40.00	30.00	1200.00	11196	2320	NMRV-P050/110	TS63D4	-	-
1.4	1.7	6602	40.00	30.00	1200.00	11196	2320	NMRV-P050/110	TS71A4	-	-
1.1	2.4	8519	30.00	50.00	1500.00	20622	4047	NMRV-P063/150	TS71A4	-	-
1.1	1.9	8384	50.00	30.00	1500.00	15577	3035	NMRV-P063/130	TS71A4	-	-
1.1	1.4	7767	50.00	30.00	1500.00	11196	2320	NMRV-P050/110	TS63D4	-	-
1.1	1.4	7767	50.00	30.00	1500.00	11196	2320	NMRV-P050/110	TS71A4	-	-
1.1	1.4	8261	50.00	30.00	1500.00	11196	2320	NMRV-P063/110	TS71A4	-	-
1.0	1.8	10200	60.00	30.00	1800.00	18587	4047	NMRV-P063/150	TS71A4	-	-
1.0	1.6	9501	60.00	30.00	1800.00	15577	3035	NMRV-P063/130	TS71A4	-	-
0.9	1.3	8737	60.00	30.00	1800.00	11196	2320	NMRV-P050/110	TS63D4	-	-
1.0	1.3	8737	60.00	30.00	1800.00	11196	2320	NMRV-P050/110	TS71A4	-	-
1.0	1.2	9362	60.00	30.00	1800.00	11196	2320	NMRV-P063/110	TS71A4	-	-
0.7	1.9	12296	60.00	40.00	2400.00	23631	4047	NMRV-P063/150	TS71A4	-	-
0.7	1.2	12109	60.00	40.00	2400.00	14604	3035	NMRV-P063/130	TS71A4	-	-
0.6	1.4	14438	60.00	50.00	3000.00	20622	4047	NMRV-P063/150	TS71A4	-	-
0.4	1.2	17773	80.00	50.00	4000.00	20622	4047	NMRV-P063/150	TS71A4	-	-
0.3	1.0	20026	100.00	50.00	5000.00	20622	4047	NMRV-P063/150	TS71A4	-	-

0.5 HP

Output speed [rpm]	Service factor sf	Output torque [in-lbs]	Ratio Stage 1	Ratio Stage 2	Exact ratio i	Max. torque [in-lbs]	OHL Output shaft [lbs]	Gearmotor		Gear Reducer	
								Reducer	Motor	Reducer	NEMA C-input
17.5	2.4	3855	10.00	10.00	100.00	9201	2410	-	-	NMRV-P063/130	56C
17.5	2.4	3809	10.00	10.00	100.00	9090	1843	-	-	NMRV-P063/110	56C



0.5 HP

Output speed [rpm]	Service factor sf	Output torque [in-lbs]	Ratio Stage 1	Ratio Stage 2	Exact ratio i	Max. torque [in-lbs]	OHL Output shaft [lbs]	Gearmotor		Gear Reducer	
								Reducer	Motor	Reducer	NEMA C-input
17.5	1.4	3790	10.00	10.00	100.00	5446	1843	-	-	NMRV-P050/110	56C
17.5	1.4	3790	10.00	10.00	100.00	5222	1458	-	-	NMRV-P050/090	56C
17.1	2.4	1246	10.00	10.00	100.00	3035	1458	NMRV-P040/090	TS71B4	-	-
17.1	2.4	1215	10.00	10.00	100.00	2961	1318	NMRV-P040/075	TS71B4	-	-
17.1	1.9	1200	10.00	10.00	100.00	2277	1117	NMRV-P040/063	TS71B4	-	-
17.1	1.0	1200	10.00	10.00	100.00	1213	854	NMRV040/050	TS71B4	-	-
11.7	3.0	5488	7.50	20.00	150.00	16575	4047	-	-	NMRV-P063/150	56C
11.7	2.4	5435	10.00	15.00	150.00	12969	2759	-	-	NMRV-P063/130	56C
11.7	1.9	5504	10.00	15.00	150.00	10585	2110	-	-	NMRV-P063/110	56C
11.7	1.4	5477	10.00	15.00	150.00	7871	2110	-	-	NMRV-P050/110	56C
11.7	1.1	5408	10.00	15.00	150.00	5841	1669	-	-	NMRV-P050/090	56C
11.4	3.2	1819	10.00	15.00	150.00	5841	1669	NMRV-P050/090	TS71B4	-	-
11.4	2.4	1777	10.00	15.00	150.00	4330	1669	NMRV-P040/090	TS71B4	-	-
11.4	2.2	1732	10.00	15.00	150.00	3761	1509	NMRV-P040/075	TS71B4	-	-
11.4	1.4	1686	10.00	15.00	150.00	2300	1278	NMRV-P040/063	TS71B4	-	-
8.8	2.4	7153	10.00	20.00	200.00	17071	4047	-	-	NMRV-P063/150	56C
8.8	2.0	7153	10.00	20.00	200.00	14161	3035	-	-	NMRV-P063/130	56C
8.8	1.4	7118	10.00	20.00	200.00	10081	2320	-	-	NMRV-P050/110	56C
8.8	1.4	7153	10.00	20.00	200.00	10081	2320	-	-	NMRV-P063/110	56C
8.6	2.4	2279	10.00	20.00	200.00	5399	1838	NMRV-P040/090	TS71B4	-	-
8.6	2.3	2332	10.00	20.00	200.00	5399	1838	NMRV-P050/090	TS71B4	-	-
8.6	1.7	2187	10.00	20.00	200.00	3715	1659	NMRV-P040/075	TS71B4	-	-
8.6	1.1	2127	10.00	20.00	200.00	2239	1407	NMRV-P040/063	TS71B4	-	-
7.0	2.1	8709	10.00	25.00	250.00	18144	4047	-	-	NMRV-P063/150	56C
7.0	1.6	8709	10.00	25.00	250.00	13542	3035	-	-	NMRV-P063/130	56C
7.0	1.2	8667	10.00	25.00	250.00	10382	2320	-	-	NMRV-P050/110	56C
7.0	1.2	8709	10.00	25.00	250.00	10382	2320	-	-	NMRV-P063/110	56C
6.8	3.6	2915	10.00	25.00	250.00	10382	2320	NMRV-P050/110	TS71B4	-	-
6.8	3.5	2930	10.00	25.00	250.00	10382	2320	NMRV-P063/110	TS71B4	-	-
6.8	1.8	2734	10.00	25.00	250.00	5045	1839	NMRV-P040/090	TS71B4	-	-
6.8	1.8	2799	10.00	25.00	250.00	5045	1839	NMRV-P050/090	TS71B4	-	-
6.8	1.3	2620	10.00	25.00	250.00	3359	1659	NMRV-P040/075	TS71B4	-	-
5.8	1.8	10388	15.00	20.00	300.00	19038	4047	-	-	NMRV-P063/150	56C
5.8	1.6	9476	10.00	30.00	300.00	15577	3035	-	-	NMRV-P063/130	56C
5.8	1.2	9291	10.00	30.00	300.00	11196	2320	-	-	NMRV-P050/110	56C
5.8	1.2	9337	10.00	30.00	300.00	11196	2320	-	-	NMRV-P063/110	56C
5.7	3.6	3125	10.00	30.00	300.00	11196	2320	NMRV-P050/110	TS71B4	-	-
5.7	3.6	3140	10.00	30.00	300.00	11196	2320	NMRV-P063/110	TS71B4	-	-
5.7	2.0	3053	10.00	30.00	300.00	6196	1839	NMRV-P040/090	TS71B4	-	-
5.7	2.0	3125	10.00	30.00	300.00	6196	1839	NMRV-P050/090	TS71B4	-	-
5.7	1.3	2917	10.00	30.00	300.00	3929	1659	NMRV-P040/075	TS71B4	-	-

0.5 HP

Output speed [rpm]	Service factor sf	Output torque [in-lbs]	Ratio Stage 1	Ratio Stage 2	Exact ratio i	Max. torque [in-lbs]	OHL Output shaft [lbs]	Gearmotor		Gear Reducer	
								Reducer	Motor	Reducer	NEMA C-input
4.4	1.9	12263	10.00	40.00	400.00	23631	4047	-	-	NMRV-P063/150	56C
4.4	1.2	12077	10.00	40.00	400.00	14604	3035	-	-	NMRV-P063/130	56C
4.3	3.6	4062	10.00	40.00	400.00	14604	3035	NMRV-P063/130	TS71B4	-	-
4.3	2.6	4062	10.00	40.00	400.00	10488	2320	NMRV-P063/110	TS71B4	-	-
4.3	2.6	4042	10.00	40.00	400.00	10488	2320	NMRV-P050/110	TS71B4	-	-
4.3	1.4	3767	10.00	40.00	400.00	5399	1839	NMRV-P040/090	TS71B4	-	-
4.3	1.4	3856	10.00	40.00	400.00	5399	1839	NMRV-P050/090	TS71B4	-	-
4.3	1.0	3585	10.00	40.00	400.00	3664	1659	NMRV-P040/075	TS71B4	-	-
3.5	1.4	14400	10.00	50.00	500.00	20622	4047	-	-	NMRV-P063/150	56C
3.4	2.8	4844	10.00	50.00	500.00	13719	3035	NMRV-P063/130	TS71B4	-	-
3.4	1.9	5538	20.00	25.00	500.00	10382	2320	NMRV-P063/110	TS71B4	-	-
3.4	1.9	5361	20.00	25.00	500.00	10382	2320	NMRV-P050/110	TS71B4	-	-
3.4	1.1	4405	10.00	50.00	500.00	4956	1839	NMRV-P040/090	TS71B4	-	-
2.9	1.3	17808	15.00	40.00	600.00	23631	4047	-	-	NMRV-P063/150	56C
2.9	3.9	5990	15.00	40.00	600.00	23631	4047	NMRV-P063/150	TS71B4	-	-
2.9	2.6	6026	20.00	30.00	600.00	15577	3035	NMRV-P063/130	TS71B4	-	-
2.9	1.9	5937	20.00	30.00	600.00	11196	2320	NMRV-P063/110	TS71B4	-	-
2.9	1.9	5747	20.00	30.00	600.00	11196	2320	NMRV-P050/110	TS71B4	-	-
2.9	1.1	5675	20.00	30.00	600.00	6196	1839	NMRV-P040/090	TS71B4	-	-
2.9	1.1	5747	20.00	30.00	600.00	6196	1839	NMRV-P050/090	TS71B4	-	-
2.3	2.9	7034	15.00	50.00	750.00	20622	4047	NMRV-P063/150	TS71B4	-	-
2.3	2.1	7278	25.00	30.00	750.00	15577	3035	NMRV-P063/130	TS71B4	-	-
2.3	1.6	7171	25.00	30.00	750.00	11196	2320	NMRV-P063/110	TS71B4	-	-
2.3	1.6	6915	25.00	30.00	750.00	11196	2320	NMRV-P050/110	TS71B4	-	-
1.9	2.1	8907	30.00	30.00	900.00	18587	4047	NMRV-P063/150	TS71B4	-	-
1.9	1.9	8296	30.00	30.00	900.00	15577	3035	NMRV-P063/130	TS71B4	-	-
1.9	1.4	8174	30.00	30.00	900.00	11196	2320	NMRV-P063/110	TS71B4	-	-
1.9	1.4	7867	30.00	30.00	900.00	11196	2320	NMRV-P050/110	TS71B4	-	-
1.4	2.2	10737	30.00	40.00	1200.00	23631	4047	NMRV-P063/150	TS71B4	-	-
1.4	1.5	10510	40.00	30.00	1200.00	15577	3035	NMRV-P063/130	TS71B4	-	-
1.4	1.1	10355	40.00	30.00	1200.00	11196	2320	NMRV-P063/110	TS71B4	-	-
1.4	1.1	9770	40.00	30.00	1200.00	11196	2320	NMRV-P050/110	TS71B4	-	-
1.1	1.6	12607	30.00	50.00	1500.00	20622	4047	NMRV-P063/150	TS71B4	-	-
1.1	1.3	12408	50.00	30.00	1500.00	15577	3035	NMRV-P063/130	TS71B4	-	-
0.9	1.2	15096	60.00	30.00	1800.00	18587	4047	NMRV-P063/150	TS71B4	-	-
0.9	1.1	14062	60.00	30.00	1800.00	15577	3035	NMRV-P063/130	TS71B4	-	-
0.7	1.3	18198	60.00	40.00	2400.00	23631	4047	NMRV-P063/150	TS71B4	-	-

0.75 HP

Output speed [rpm]	Service factor sf	Output torque [in-lbs]	Ratio Stage 1	Ratio Stage 2	Exact ratio i	Max. torque [in-lbs]	OHL Output shaft [lbs]	Gearmotor		Gear Reducer	
								Reducer	Motor	Reducer	NEMA C-input
17.5	2.4	3855	10.00	10.00	100.00	9201	2410	-	-	NMRV-P063/130	56C
17.5	2.4	3809	10.00	10.00	100.00	9090	1843	-	-	NMRV-P063/110	56C
17.5	1.4	3790	10.00	10.00	100.00	5446	1843	-	-	NMRV-P050/110	56C
17.0	2.9	1895	10.00	10.00	100.00	5446	1843	NMRV-P050/110	TS71C4	-	-
17.3	2.9	1895	10.00	10.00	100.00	5446	1843	NMRV-P050/110	TS80A4	-	-
17.0	2.8	1895	10.00	10.00	100.00	5222	1458	NMRV-P050/090	TS71C4	-	-
17.3	2.8	1895	10.00	10.00	100.00	5222	1458	NMRV-P050/090	TS80A4	-	-
17.5	1.4	3790	10.00	10.00	100.00	5222	1458	-	-	NMRV-P050/090	56C
17.0	1.6	1852	10.00	10.00	100.00	3035	1458	NMRV-P040/090	TS71C4	-	-
17.0	1.6	1806	10.00	10.00	100.00	2961	1318	NMRV-P040/075	TS71C4	-	-
17.0	1.3	1784	10.00	10.00	100.00	2277	1117	NMRV-P040/063	TS71C4	-	-
11.7	3.0	5488	7.50	20.00	150.00	16575	4047	-	-	NMRV-P063/150	56C
11.7	2.4	5435	10.00	15.00	150.00	12969	2759	-	-	NMRV-P063/130	56C
11.7	1.9	5504	10.00	15.00	150.00	10585	2110	-	-	NMRV-P063/110	56C
11.3	3.8	2752	10.00	15.00	150.00	10585	2110	NMRV-P063/110	TS71C4	-	-
11.5	3.8	2752	10.00	15.00	150.00	10585	2110	NMRV-P063/110	TS80A4	-	-
11.3	2.9	2739	10.00	15.00	150.00	7871	2110	NMRV-P050/110	TS71C4	-	-
11.5	2.9	2739	10.00	15.00	150.00	7871	2110	NMRV-P050/110	TS80A4	-	-
11.7	1.4	5477	10.00	15.00	150.00	7871	2110	-	-	NMRV-P050/110	56C
11.7	1.1	5408	10.00	15.00	150.00	5841	1669	-	-	NMRV-P050/090	56C
11.3	2.2	2704	10.00	15.00	150.00	5841	1669	NMRV-P050/090	TS71C4	-	-
11.5	2.2	2704	10.00	15.00	150.00	5841	1669	NMRV-P050/090	TS80A4	-	-
11.3	1.6	2642	10.00	15.00	150.00	4330	1669	NMRV-P040/090	TS71C4	-	-
11.3	1.5	2574	10.00	15.00	150.00	3761	1509	NMRV-P040/075	TS71C4	-	-
8.8	2.4	7153	10.00	20.00	200.00	17071	4047	-	-	NMRV-P063/150	56C
8.8	2.0	7153	10.00	20.00	200.00	14161	3035	-	-	NMRV-P063/130	56C
8.5	4.0	3577	10.00	20.00	200.00	14161	3035	NMRV-P063/130	TS71C4	-	-
8.7	4.0	3577	10.00	20.00	200.00	14161	3035	NMRV-P063/130	TS80A4	-	-
8.5	2.8	3577	10.00	20.00	200.00	10081	2320	NMRV-P063/110	TS71C4	-	-
8.7	2.8	3577	10.00	20.00	200.00	10081	2320	NMRV-P063/110	TS80A4	-	-
8.8	1.4	7118	10.00	20.00	200.00	10081	2320	-	-	NMRV-P050/110	56C
8.8	1.4	7153	10.00	20.00	200.00	10081	2320	-	-	NMRV-P063/110	56C
8.5	2.8	3559	10.00	20.00	200.00	10081	2320	NMRV-P050/110	TS71C4	-	-
8.7	2.8	3559	10.00	20.00	200.00	10081	2320	NMRV-P050/110	TS80A4	-	-
8.5	1.6	3387	10.00	20.00	200.00	5399	1838	NMRV-P040/090	TS71C4	-	-
8.5	1.6	3467	10.00	20.00	200.00	5399	1838	NMRV-P050/090	TS71C4	-	-
8.7	1.6	3467	10.00	20.00	200.00	5399	1838	NMRV-P050/090	TS80A4	-	-
8.5	1.1	3252	10.00	20.00	200.00	3715	1659	NMRV-P040/075	TS71C4	-	-
7.0	2.1	8709	10.00	25.00	250.00	18144	4047	-	-	NMRV-P063/150	56C
7.0	1.6	8709	10.00	25.00	250.00	13542	3035	-	-	NMRV-P063/130	56C
6.8	3.1	4355	10.00	25.00	250.00	13542	3035	NMRV-P063/130	TS71C4	-	-

0.75 HP

Output speed [rpm]	Service factor sf	Output torque [in-lbs]	Ratio Stage 1	Ratio Stage 2	Exact ratio i	Max. torque [in-lbs]	OHL Output shaft [lbs]	Gearmotor		Gear Reducer	
								Reducer	Motor	Reducer	NEMA C-input
6.9	3.1	4355	10.00	25.00	250.00	13542	3035	NMRV-P063/130	TS80A4	-	-
6.8	2.4	4355	10.00	25.00	250.00	10382	2320	NMRV-P063/110	TS71C4	-	-
6.9	2.4	4355	10.00	25.00	250.00	10382	2320	NMRV-P063/110	TS80A4	-	-
7.0	1.2	8667	10.00	25.00	250.00	10382	2320	-	-	NMRV-P050/110	56C
7.0	1.2	8709	10.00	25.00	250.00	10382	2320	-	-	NMRV-P063/110	56C
6.8	2.4	4333	10.00	25.00	250.00	10382	2320	NMRV-P050/110	TS71C4	-	-
6.9	2.4	4333	10.00	25.00	250.00	10382	2320	NMRV-P050/110	TS80A4	-	-
6.8	1.2	4064	10.00	25.00	250.00	5045	1839	NMRV-P040/090	TS71C4	-	-
6.8	1.2	4160	10.00	25.00	250.00	5045	1839	NMRV-P050/090	TS71C4	-	-
6.9	1.2	4160	10.00	25.00	250.00	5045	1839	NMRV-P050/090	TS80A4	-	-
5.7	3.7	5194	15.00	20.00	300.00	19038	4047	NMRV-P063/150	TS71C4	-	-
5.8	3.7	5194	15.00	20.00	300.00	19038	4047	NMRV-P063/150	TS80A4	-	-
5.8	1.8	10388	15.00	20.00	300.00	19038	4047	-	-	NMRV-P063/150	56C
5.8	1.6	9476	10.00	30.00	300.00	15577	3035	-	-	NMRV-P063/130	56C
5.7	3.3	4738	10.00	30.00	300.00	15577	3035	NMRV-P063/130	TS71C4	-	-
5.8	3.3	4738	10.00	30.00	300.00	15577	3035	NMRV-P063/130	TS80A4	-	-
5.7	2.4	4668	10.00	30.00	300.00	11196	2320	NMRV-P063/110	TS71C4	-	-
5.8	2.4	4668	10.00	30.00	300.00	11196	2320	NMRV-P063/110	TS80A4	-	-
5.7	2.4	4645	10.00	30.00	300.00	11196	2320	NMRV-P050/110	TS71C4	-	-
5.8	2.4	4645	10.00	30.00	300.00	11196	2320	NMRV-P050/110	TS80A4	-	-
5.8	1.2	9291	10.00	30.00	300.00	11196	2320	-	-	NMRV-P050/110	56C
5.8	1.2	9337	10.00	30.00	300.00	11196	2320	-	-	NMRV-P063/110	56C
5.7	1.4	4539	10.00	30.00	300.00	6196	1839	NMRV-P040/090	TS71C4	-	-
5.7	1.3	4645	10.00	30.00	300.00	6196	1839	NMRV-P050/090	TS71C4	-	-
5.8	1.3	4645	10.00	30.00	300.00	6196	1839	NMRV-P050/090	TS80A4	-	-
4.2	3.9	6131	10.00	40.00	400.00	23631	4047	NMRV-P063/150	TS71C4	-	-
4.3	3.9	6131	10.00	40.00	400.00	23631	4047	NMRV-P063/150	TS80A4	-	-
4.4	1.9	12263	10.00	40.00	400.00	23631	4047	-	-	NMRV-P063/150	56C
4.4	1.2	12077	10.00	40.00	400.00	14604	3035	-	-	NMRV-P063/130	56C
4.2	2.4	6039	10.00	40.00	400.00	14604	3035	NMRV-P063/130	TS71C4	-	-
4.3	2.4	6039	10.00	40.00	400.00	14604	3035	NMRV-P063/130	TS80A4	-	-
4.2	1.7	6039	10.00	40.00	400.00	10488	2320	NMRV-P063/110	TS71C4	-	-
4.3	1.7	6039	10.00	40.00	400.00	10488	2320	NMRV-P063/110	TS80A4	-	-
4.2	1.7	6009	10.00	40.00	400.00	10488	2320	NMRV-P050/110	TS71C4	-	-
4.3	1.7	6009	10.00	40.00	400.00	10488	2320	NMRV-P050/110	TS80A4	-	-
3.4	2.9	7200	10.00	50.00	500.00	20622	4047	NMRV-P063/150	TS71C4	-	-
3.5	2.9	7200	10.00	50.00	500.00	20622	4047	NMRV-P063/150	TS80A4	-	-
3.5	1.4	14400	10.00	50.00	500.00	20622	4047	-	-	NMRV-P063/150	56C
3.4	1.9	7200	10.00	50.00	500.00	13719	3035	NMRV-P063/130	TS71C4	-	-
3.5	1.9	7200	10.00	50.00	500.00	13719	3035	NMRV-P063/130	TS80A4	-	-
3.4	1.3	8233	20.00	25.00	500.00	10382	2320	NMRV-P063/110	TS71C4	-	-

0.75 HP

Output speed [rpm]	Service factor sf	Output torque [in-lbs]	Ratio Stage 1	Ratio Stage 2	Exact ratio i	Max. torque [in-lbs]	OHL Output shaft [lbs]	Gearmotor		Gear Reducer	
								Reducer	Motor	Reducer	NEMA C-input
3.5	1.3	8233	20.00	25.00	500.00	10382	2320	NMRV-P063/110	TS80A4	-	-
3.4	1.3	7969	20.00	25.00	500.00	10382	2320	NMRV-P050/110	TS71C4	-	-
3.5	1.3	7969	20.00	25.00	500.00	10382	2320	NMRV-P050/110	TS80A4	-	-
2.8	2.7	8904	15.00	40.00	600.00	23631	4047	NMRV-P063/150	TS71C4	-	-
2.9	2.7	8904	15.00	40.00	600.00	23631	4047	NMRV-P063/150	TS80A4	-	-
2.9	1.3	17808	15.00	40.00	600.00	23631	4047	-	-	NMRV-P063/150	56C
2.8	1.7	8957	20.00	30.00	600.00	15577	3035	NMRV-P063/130	TS71C4	-	-
2.9	1.7	8957	20.00	30.00	600.00	15577	3035	NMRV-P063/130	TS80A4	-	-
2.8	1.3	8825	20.00	30.00	600.00	11196	2320	NMRV-P063/110	TS71C4	-	-
2.9	1.3	8825	20.00	30.00	600.00	11196	2320	NMRV-P063/110	TS80A4	-	-
2.8	1.3	8543	20.00	30.00	600.00	11196	2320	NMRV-P050/110	TS71C4	-	-
2.9	1.3	8543	20.00	30.00	600.00	11196	2320	NMRV-P050/110	TS80A4	-	-
2.3	2.0	10456	15.00	50.00	750.00	20622	4047	NMRV-P063/150	TS71C4	-	-
2.3	2.0	10456	15.00	50.00	750.00	20622	4047	NMRV-P063/150	TS80A4	-	-
2.3	1.4	10819	25.00	30.00	750.00	15577	3035	NMRV-P063/130	TS71C4	-	-
2.3	1.4	10819	25.00	30.00	750.00	15577	3035	NMRV-P063/130	TS80A4	-	-
2.3	1.1	10660	25.00	30.00	750.00	11196	2320	NMRV-P063/110	TS71C4	-	-
2.3	1.1	10660	25.00	30.00	750.00	11196	2320	NMRV-P063/110	TS80A4	-	-
2.3	1.1	10279	25.00	30.00	750.00	11196	2320	NMRV-P050/110	TS71C4	-	-
2.3	1.1	10279	25.00	30.00	750.00	11196	2320	NMRV-P050/110	TS80A4	-	-
1.9	1.4	13239	30.00	30.00	900.00	18587	4047	NMRV-P063/150	TS71C4	-	-
1.9	1.4	13239	30.00	30.00	900.00	18587	4047	NMRV-P063/150	TS80A4	-	-
1.9	1.3	12333	30.00	30.00	900.00	15577	3035	NMRV-P063/130	TS71C4	-	-
1.9	1.3	12333	30.00	30.00	900.00	15577	3035	NMRV-P063/130	TS80A4	-	-
1.4	1.5	15960	30.00	40.00	1200.00	23631	4047	NMRV-P063/150	TS71C4	-	-
1.4	1.5	15960	30.00	40.00	1200.00	23631	4047	NMRV-P063/150	TS80A4	-	-
1.1	1.1	18741	30.00	50.00	1500.00	20622	4047	NMRV-P063/150	TS71C4	-	-
1.1	1.1	18741	30.00	50.00	1500.00	20622	4047	NMRV-P063/150	TS80A4	-	-

1 HP

Output speed [rpm]	Service factor sf	Output torque [in-lbs]	Ratio Stage 1	Ratio Stage 2	Exact ratio i	Max. torque [in-lbs]	OHL Output shaft [lbs]	Gearmotor		Gear Reducer	
								Reducer	Motor	Reducer	NEMA C-input
17.5	3.5	2629	10.00	10.00	100.00	9201	2410	NMRV-P063/130	TH80B4	-	-
17.5	3.5	2629	10.00	10.00	100.00	9201	2410	NMRV-P063/130	TP80B4	-	-
17.3	3.5	2629	10.00	10.00	100.00	9201	2410	NMRV-P063/130	TS80B4	-	-
17.5	2.4	3855	10.00	10.00	100.00	9201	2410	-	-	NMRV-P063/130	56C
17.5	2.4	3855	10.00	10.00	100.00	9201	2410	-	-	NMRV-P063/130	143/145TC
17.5	2.4	3809	10.00	10.00	100.00	9090	1843	-	-	NMRV-P063/110	56C
17.5	2.4	3809	10.00	10.00	100.00	9090	1843	-	-	NMRV-P063/110	143/145TC
17.5	3.5	2597	10.00	10.00	100.00	9090	1843	NMRV-P063/110	TH80B4	-	-
17.5	3.5	2597	10.00	10.00	100.00	9090	1843	NMRV-P063/110	TP80B4	-	-

1 HP

Output speed [rpm]	Service factor sf	Output torque [in-lbs]	Ratio Stage 1	Ratio Stage 2	Exact ratio i	Max. torque [in-lbs]	OHL Output shaft [lbs]	Gearmotor		Gear Reducer	
								Reducer	Motor	Reducer	NEMA C-input
17.3	3.5	2597	10.00	10.00	100.00	9090	1843	NMRV-P063/110	TS80B4	-	-
17.5	2.1	2584	10.00	10.00	100.00	5446	1843	NMRV-P050/110	TH80B4	-	-
17.5	2.1	2584	10.00	10.00	100.00	5446	1843	NMRV-P050/110	TP80B4	-	-
17.3	2.1	2584	10.00	10.00	100.00	5446	1843	NMRV-P050/110	TS80B4	-	-
17.5	1.4	3790	10.00	10.00	100.00	5446	1843	-	-	NMRV-P050/110	56C
17.5	1.4	3790	10.00	10.00	100.00	5222	1458	-	-	NMRV-P050/090	56C
17.5	2.0	2584	10.00	10.00	100.00	5222	1458	NMRV-P050/090	TH80B4	-	-
17.5	2.0	2584	10.00	10.00	100.00	5222	1458	NMRV-P050/090	TP80B4	-	-
17.3	2.0	2584	10.00	10.00	100.00	5222	1458	NMRV-P050/090	TS80B4	-	-
11.7	3.0	5488	7.50	20.00	150.00	16575	4047	-	-	NMRV-P063/150	56C
11.7	3.0	5488	7.50	20.00	150.00	16575	4047	-	-	NMRV-P063/150	143/145TC
11.7	2.4	5435	10.00	15.00	150.00	12969	2759	-	-	NMRV-P063/130	56C
11.7	2.4	5435	10.00	15.00	150.00	12969	2759	-	-	NMRV-P063/130	143/145TC
11.7	3.5	3705	10.00	15.00	150.00	12969	2759	NMRV-P063/130	TH80B4	-	-
11.7	3.5	3705	10.00	15.00	150.00	12969	2759	NMRV-P063/130	TP80B4	-	-
11.5	3.5	3705	10.00	15.00	150.00	12969	2759	NMRV-P063/130	TS80B4	-	-
11.7	2.8	3753	10.00	15.00	150.00	10585	2110	NMRV-P063/110	TH80B4	-	-
11.7	2.8	3753	10.00	15.00	150.00	10585	2110	NMRV-P063/110	TP80B4	-	-
11.5	2.8	3753	10.00	15.00	150.00	10585	2110	NMRV-P063/110	TS80B4	-	-
11.7	1.9	5504	10.00	15.00	150.00	10585	2110	-	-	NMRV-P063/110	56C
11.7	1.9	5504	10.00	15.00	150.00	10585	2110	-	-	NMRV-P063/110	143/145TC
11.7	1.4	5477	10.00	15.00	150.00	7871	2110	-	-	NMRV-P050/110	56C
11.7	2.1	3735	10.00	15.00	150.00	7871	2110	NMRV-P050/110	TH80B4	-	-
11.7	2.1	3735	10.00	15.00	150.00	7871	2110	NMRV-P050/110	TP80B4	-	-
11.5	2.1	3735	10.00	15.00	150.00	7871	2110	NMRV-P050/110	TS80B4	-	-
11.7	1.6	3687	10.00	15.00	150.00	5841	1669	NMRV-P050/090	TH80B4	-	-
11.7	1.6	3687	10.00	15.00	150.00	5841	1669	NMRV-P050/090	TP80B4	-	-
11.5	1.6	3687	10.00	15.00	150.00	5841	1669	NMRV-P050/090	TS80B4	-	-
11.7	1.1	5408	10.00	15.00	150.00	5841	1669	-	-	NMRV-P050/090	56C
8.8	2.4	7153	10.00	20.00	200.00	17071	4047	-	-	NMRV-P063/150	56C
8.8	2.4	7153	10.00	20.00	200.00	17071	4047	-	-	NMRV-P063/150	143/145TC
8.8	3.5	4877	10.00	20.00	200.00	17071	4047	NMRV-P063/150	TH80B4	-	-
8.8	3.5	4877	10.00	20.00	200.00	17071	4047	NMRV-P063/150	TP80B4	-	-
8.7	3.5	4877	10.00	20.00	200.00	17071	4047	NMRV-P063/150	TS80B4	-	-
8.8	2.9	4877	10.00	20.00	200.00	14161	3035	NMRV-P063/130	TH80B4	-	-
8.8	2.9	4877	10.00	20.00	200.00	14161	3035	NMRV-P063/130	TP80B4	-	-
8.7	2.9	4877	10.00	20.00	200.00	14161	3035	NMRV-P063/130	TS80B4	-	-
8.8	2.0	7153	10.00	20.00	200.00	14161	3035	-	-	NMRV-P063/130	56C
8.8	2.0	7153	10.00	20.00	200.00	14161	3035	-	-	NMRV-P063/130	143/145TC
8.8	1.4	7118	10.00	20.00	200.00	10081	2320	-	-	NMRV-P050/110	56C
8.8	1.4	7153	10.00	20.00	200.00	10081	2320	-	-	NMRV-P063/110	56C

1 HP

Output speed [rpm]	Service factor sf	Output torque [in-lbs]	Ratio Stage 1	Ratio Stage 2	Exact ratio i	Max. torque [in-lbs]	OHL Output shaft [lbs]	Gearmotor		Gear Reducer	
								Reducer	Motor	Reducer	NEMA C-input
8.8	1.4	7153	10.00	20.00	200.00	10081	2320	-	-	NMRV-P063/110	143/145TC
8.8	2.1	4877	10.00	20.00	200.00	10081	2320	NMRV-P063/110	TH80B4	-	-
8.8	2.1	4877	10.00	20.00	200.00	10081	2320	NMRV-P063/110	TP80B4	-	-
8.7	2.1	4877	10.00	20.00	200.00	10081	2320	NMRV-P063/110	TS80B4	-	-
8.8	2.1	4853	10.00	20.00	200.00	10081	2320	NMRV-P050/110	TH80B4	-	-
8.8	2.1	4853	10.00	20.00	200.00	10081	2320	NMRV-P050/110	TP80B4	-	-
8.7	2.1	4853	10.00	20.00	200.00	10081	2320	NMRV-P050/110	TS80B4	-	-
8.8	1.1	4727	10.00	20.00	200.00	5399	1838	NMRV-P050/090	TH80B4	-	-
8.8	1.1	4727	10.00	20.00	200.00	5399	1838	NMRV-P050/090	TP80B4	-	-
8.7	1.1	4727	10.00	20.00	200.00	5399	1838	NMRV-P050/090	TS80B4	-	-
7.0	2.1	8709	10.00	25.00	250.00	18144	4047	-	-	NMRV-P063/150	56C
7.0	2.1	8709	10.00	25.00	250.00	18144	4047	-	-	NMRV-P063/150	143/145TC
7.0	3.1	5938	10.00	25.00	250.00	18144	4047	NMRV-P063/150	TH80B4	-	-
7.0	3.1	5938	10.00	25.00	250.00	18144	4047	NMRV-P063/150	TP80B4	-	-
6.9	3.1	5938	10.00	25.00	250.00	18144	4047	NMRV-P063/150	TS80B4	-	-
7.0	2.3	5938	10.00	25.00	250.00	13542	3035	NMRV-P063/130	TH80B4	-	-
7.0	2.3	5938	10.00	25.00	250.00	13542	3035	NMRV-P063/130	TP80B4	-	-
6.9	2.3	5938	10.00	25.00	250.00	13542	3035	NMRV-P063/130	TS80B4	-	-
7.0	1.6	8709	10.00	25.00	250.00	13542	3035	-	-	NMRV-P063/130	56C
7.0	1.6	8709	10.00	25.00	250.00	13542	3035	-	-	NMRV-P063/130	143/145TC
7.0	1.2	8667	10.00	25.00	250.00	10382	2320	-	-	NMRV-P050/110	56C
7.0	1.2	8709	10.00	25.00	250.00	10382	2320	-	-	NMRV-P063/110	56C
7.0	1.2	8709	10.00	25.00	250.00	10382	2320	-	-	NMRV-P063/110	143/145TC
7.0	1.8	5909	10.00	25.00	250.00	10382	2320	NMRV-P050/110	TH80B4	-	-
7.0	1.8	5909	10.00	25.00	250.00	10382	2320	NMRV-P050/110	TP80B4	-	-
6.9	1.8	5909	10.00	25.00	250.00	10382	2320	NMRV-P050/110	TS80B4	-	-
7.0	1.7	5938	10.00	25.00	250.00	10382	2320	NMRV-P063/110	TH80B4	-	-
7.0	1.7	5938	10.00	25.00	250.00	10382	2320	NMRV-P063/110	TP80B4	-	-
6.9	1.7	5938	10.00	25.00	250.00	10382	2320	NMRV-P063/110	TS80B4	-	-
5.8	2.7	7083	15.00	20.00	300.00	19038	4047	NMRV-P063/150	TH80B4	-	-
5.8	2.7	7083	15.00	20.00	300.00	19038	4047	NMRV-P063/150	TP80B4	-	-
5.8	2.7	7083	15.00	20.00	300.00	19038	4047	NMRV-P063/150	TS80B4	-	-
5.8	1.8	10388	15.00	20.00	300.00	19038	4047	-	-	NMRV-P063/150	56C
5.8	1.8	10388	15.00	20.00	300.00	19038	4047	-	-	NMRV-P063/150	143/145TC
5.8	1.6	9476	10.00	30.00	300.00	15577	3035	-	-	NMRV-P063/130	56C
5.8	1.6	9476	10.00	30.00	300.00	15577	3035	-	-	NMRV-P063/130	143/145TC
5.8	2.4	6461	10.00	30.00	300.00	15577	3035	NMRV-P063/130	TH80B4	-	-
5.8	2.4	6461	10.00	30.00	300.00	15577	3035	NMRV-P063/130	TP80B4	-	-
5.8	2.4	6461	10.00	30.00	300.00	15577	3035	NMRV-P063/130	TS80B4	-	-
5.8	1.8	6366	10.00	30.00	300.00	11196	2320	NMRV-P063/110	TH80B4	-	-
5.8	1.8	6366	10.00	30.00	300.00	11196	2320	NMRV-P063/110	TP80B4	-	-

1 HP

Output speed [rpm]	Service factor sf	Output torque [in-lbs]	Ratio Stage 1	Ratio Stage 2	Exact ratio i	Max. torque [in-lbs]	OHL Output shaft [lbs]	Gearmotor		Gear Reducer	
								Reducer	Motor	Reducer	NEMA C-input
5.8	1.8	6366	10.00	30.00	300.00	11196	2320	NMRV-P063/110	TS80B4	-	-
5.8	1.2	9291	10.00	30.00	300.00	11196	2320	-	-	NMRV-P050/110	56C
5.8	1.2	9337	10.00	30.00	300.00	11196	2320	-	-	NMRV-P063/110	56C
5.8	1.2	9337	10.00	30.00	300.00	11196	2320	-	-	NMRV-P063/110	143/145TC
5.8	1.8	6335	10.00	30.00	300.00	11196	2320	NMRV-P050/110	TH80B4	-	-
5.8	1.8	6335	10.00	30.00	300.00	11196	2320	NMRV-P050/110	TP80B4	-	-
5.8	1.8	6335	10.00	30.00	300.00	11196	2320	NMRV-P050/110	TS80B4	-	-
4.4	2.8	8361	10.00	40.00	400.00	23631	4047	NMRV-P063/150	TH80B4	-	-
4.4	2.8	8361	10.00	40.00	400.00	23631	4047	NMRV-P063/150	TP80B4	-	-
4.3	2.8	8361	10.00	40.00	400.00	23631	4047	NMRV-P063/150	TS80B4	-	-
4.4	1.9	12263	10.00	40.00	400.00	23631	4047	-	-	NMRV-P063/150	56C
4.4	1.9	12263	10.00	40.00	400.00	23631	4047	-	-	NMRV-P063/150	143/145TC
4.4	1.2	12077	10.00	40.00	400.00	14604	3035	-	-	NMRV-P063/130	56C
4.4	1.2	12077	10.00	40.00	400.00	14604	3035	-	-	NMRV-P063/130	143/145TC
4.4	1.8	8234	10.00	40.00	400.00	14604	3035	NMRV-P063/130	TH80B4	-	-
4.4	1.8	8234	10.00	40.00	400.00	14604	3035	NMRV-P063/130	TP80B4	-	-
4.3	1.8	8234	10.00	40.00	400.00	14604	3035	NMRV-P063/130	TS80B4	-	-
4.4	1.3	8234	10.00	40.00	400.00	10488	2320	NMRV-P063/110	TH80B4	-	-
4.4	1.3	8234	10.00	40.00	400.00	10488	2320	NMRV-P063/110	TP80B4	-	-
4.3	1.3	8234	10.00	40.00	400.00	10488	2320	NMRV-P063/110	TS80B4	-	-
4.4	1.3	8194	10.00	40.00	400.00	10488	2320	NMRV-P050/110	TH80B4	-	-
4.4	1.3	8194	10.00	40.00	400.00	10488	2320	NMRV-P050/110	TP80B4	-	-
4.3	1.3	8194	10.00	40.00	400.00	10488	2320	NMRV-P050/110	TS80B4	-	-
3.5	2.1	9818	10.00	50.00	500.00	20622	4047	NMRV-P063/150	TH80B4	-	-
3.5	2.1	9818	10.00	50.00	500.00	20622	4047	NMRV-P063/150	TP80B4	-	-
3.5	2.1	9818	10.00	50.00	500.00	20622	4047	NMRV-P063/150	TS80B4	-	-
3.5	1.4	14400	10.00	50.00	500.00	20622	4047	-	-	NMRV-P063/150	56C
3.5	1.4	14400	10.00	50.00	500.00	20622	4047	-	-	NMRV-P063/150	143/145TC
3.5	1.4	9818	10.00	50.00	500.00	13719	3035	NMRV-P063/130	TH80B4	-	-
3.5	1.4	9818	10.00	50.00	500.00	13719	3035	NMRV-P063/130	TP80B4	-	-
3.5	1.4	9818	10.00	50.00	500.00	13719	3035	NMRV-P063/130	TS80B4	-	-
2.9	1.9	12142	15.00	40.00	600.00	23631	4047	NMRV-P063/150	TH80B4	-	-
2.9	1.9	12142	15.00	40.00	600.00	23631	4047	NMRV-P063/150	TP80B4	-	-
2.9	1.9	12142	15.00	40.00	600.00	23631	4047	NMRV-P063/150	TS80B4	-	-
2.9	1.3	17808	15.00	40.00	600.00	23631	4047	-	-	NMRV-P063/150	56C
2.9	1.3	17808	15.00	40.00	600.00	23631	4047	-	-	NMRV-P063/150	143/145TC
2.9	1.3	12214	20.00	30.00	600.00	15577	3035	NMRV-P063/130	TH80B4	-	-
2.9	1.3	12214	20.00	30.00	600.00	15577	3035	NMRV-P063/130	TP80B4	-	-
2.9	1.3	12214	20.00	30.00	600.00	15577	3035	NMRV-P063/130	TS80B4	-	-
2.3	1.4	14258	15.00	50.00	750.00	20622	4047	NMRV-P063/150	TH80B4	-	-
2.3	1.4	14258	15.00	50.00	750.00	20622	4047	NMRV-P063/150	TP80B4	-	-



1 HP

Output speed [rpm]	Service factor sf	Output torque [in-lbs]	Ratio Stage 1	Ratio Stage 2	Exact ratio i	Max. torque [in-lbs]	OHL Output shaft [lbs]	Gearmotor		Gear Reducer	
								Reducer	Motor	Reducer	NEMA C-input
2.3	1.4	14258	15.00	50.00	750.00	20622	4047	NMRV-P063/150	TS80B4	-	-
2.3	1.1	14753	25.00	30.00	750.00	15577	3035	NMRV-P063/130	TH80B4	-	-
2.3	1.1	14753	25.00	30.00	750.00	15577	3035	NMRV-P063/130	TP80B4	-	-
2.3	1.1	14753	25.00	30.00	750.00	15577	3035	NMRV-P063/130	TS80B4	-	-
1.9	1.0	18054	30.00	30.00	900.00	18587	4047	NMRV-P063/150	TH80B4	-	-
1.9	1.0	18054	30.00	30.00	900.00	18587	4047	NMRV-P063/150	TP80B4	-	-
1.9	1.0	18054	30.00	30.00	900.00	18587	4047	NMRV-P063/150	TS80B4	-	-
1.5	1.1	21763	30.00	40.00	1200.00	23631	4047	NMRV-P063/150	TH80B4	-	-
1.5	1.1	21763	30.00	40.00	1200.00	23631	4047	NMRV-P063/150	TP80B4	-	-
1.4	1.1	21763	30.00	40.00	1200.00	23631	4047	NMRV-P063/150	TS80B4	-	-

1.5 HP

Output speed [rpm]	Service factor sf	Output torque [in-lbs]	Ratio Stage 1	Ratio Stage 2	Exact ratio i	Max. torque [in-lbs]	OHL Output shaft [lbs]	Gearmotor		Gear Reducer	
								Reducer	Motor	Reducer	NEMA C-input
17.3	2.4	3855	10.00	10.00	100.00	9201	2410	NMRV-P063/130	TS80D4	-	-
17.5	2.4	3855	10.00	10.00	100.00	9201	2410	NMRV-P063/130	TH90S4	-	-
17.5	2.4	3855	10.00	10.00	100.00	9201	2410	NMRV-P063/130	TP90S4	-	-
17.2	2.4	3855	10.00	10.00	100.00	9201	2410	NMRV-P063/130	TS90S4	-	-
17.5	2.4	3855	10.00	10.00	100.00	9201	2410	-	-	NMRV-P063/130	56C
17.5	2.4	3855	10.00	10.00	100.00	9201	2410	-	-	NMRV-P063/130	143/145TC
17.5	2.4	3809	10.00	10.00	100.00	9090	1843	-	-	NMRV-P063/110	56C
17.5	2.4	3809	10.00	10.00	100.00	9090	1843	-	-	NMRV-P063/110	143/145TC
17.3	2.4	3809	10.00	10.00	100.00	9090	1843	NMRV-P063/110	TS80D4	-	-
17.5	2.4	3809	10.00	10.00	100.00	9090	1843	NMRV-P063/110	TH90S4	-	-
17.5	2.4	3809	10.00	10.00	100.00	9090	1843	NMRV-P063/110	TP90S4	-	-
17.2	2.4	3809	10.00	10.00	100.00	9090	1843	NMRV-P063/110	TS90S4	-	-
17.3	1.4	3790	10.00	10.00	100.00	5446	1843	NMRV-P050/110	TS80D4	-	-
17.5	1.4	3790	10.00	10.00	100.00	5446	1843	-	-	NMRV-P050/110	56C
17.5	1.4	3790	10.00	10.00	100.00	5222	1458	-	-	NMRV-P050/090	56C
17.3	1.4	3790	10.00	10.00	100.00	5222	1458	NMRV-P050/090	TS80D4	-	-
11.5	3.0	5488	7.50	20.00	150.00	16575	4047	NMRV-P063/150	TS80D4	-	-
11.7	3.0	5488	7.50	20.00	150.00	16575	4047	NMRV-P063/150	TH90S4	-	-
11.7	3.0	5488	7.50	20.00	150.00	16575	4047	NMRV-P063/150	TP90S4	-	-
11.5	3.0	5488	7.50	20.00	150.00	16575	4047	NMRV-P063/150	TS90S4	-	-
11.7	3.0	5488	7.50	20.00	150.00	16575	4047	-	-	NMRV-P063/150	56C
11.7	3.0	5488	7.50	20.00	150.00	16575	4047	-	-	NMRV-P063/150	143/145TC
11.7	2.4	5435	10.00	15.00	150.00	12969	2759	-	-	NMRV-P063/130	56C
11.7	2.4	5435	10.00	15.00	150.00	12969	2759	-	-	NMRV-P063/130	143/145TC
11.5	2.4	5435	10.00	15.00	150.00	12969	2759	NMRV-P063/130	TS80D4	-	-
11.7	2.4	5435	10.00	15.00	150.00	12969	2759	NMRV-P063/130	TH90S4	-	-
11.7	2.4	5435	10.00	15.00	150.00	12969	2759	NMRV-P063/130	TP90S4	-	-

1.5 HP

Output speed [rpm]	Service factor sf	Output torque [in-lbs]	Ratio Stage 1	Ratio Stage 2	Exact ratio i	Max. torque [in-lbs]	OHL Output shaft [lbs]	Gearmotor		Gear Reducer	
								Reducer	Motor	Reducer	NEMA C-input
11.5	2.4	5435	10.00	15.00	150.00	12969	2759	NMRV-P063/130	TS90S4	-	-
11.5	1.9	5504	10.00	15.00	150.00	10585	2110	NMRV-P063/110	TS80D4	-	-
11.7	1.9	5504	10.00	15.00	150.00	10585	2110	NMRV-P063/110	TH90S4	-	-
11.7	1.9	5504	10.00	15.00	150.00	10585	2110	NMRV-P063/110	TP90S4	-	-
11.5	1.9	5504	10.00	15.00	150.00	10585	2110	NMRV-P063/110	TS90S4	-	-
11.7	1.9	5504	10.00	15.00	150.00	10585	2110	-	-	NMRV-P063/110	56C
11.7	1.9	5504	10.00	15.00	150.00	10585	2110	-	-	NMRV-P063/110	143/145TC
11.7	1.4	5477	10.00	15.00	150.00	7871	2110	-	-	NMRV-P050/110	56C
11.5	1.4	5477	10.00	15.00	150.00	7871	2110	NMRV-P050/110	TS80D4	-	-
11.5	1.1	5408	10.00	15.00	150.00	5841	1669	NMRV-P050/090	TS80D4	-	-
11.7	1.1	5408	10.00	15.00	150.00	5841	1669	-	-	NMRV-P050/090	56C
8.8	2.4	7153	10.00	20.00	200.00	17071	4047	-	-	NMRV-P063/150	56C
8.8	2.4	7153	10.00	20.00	200.00	17071	4047	-	-	NMRV-P063/150	143/145TC
8.7	2.4	7153	10.00	20.00	200.00	17071	4047	NMRV-P063/150	TS80D4	-	-
8.8	2.4	7153	10.00	20.00	200.00	17071	4047	NMRV-P063/150	TH90S4	-	-
8.8	2.4	7153	10.00	20.00	200.00	17071	4047	NMRV-P063/150	TP90S4	-	-
8.6	2.4	7153	10.00	20.00	200.00	17071	4047	NMRV-P063/150	TS90S4	-	-
8.7	2.0	7153	10.00	20.00	200.00	14161	3035	NMRV-P063/130	TS80D4	-	-
8.8	2.0	7153	10.00	20.00	200.00	14161	3035	NMRV-P063/130	TH90S4	-	-
8.8	2.0	7153	10.00	20.00	200.00	14161	3035	NMRV-P063/130	TP90S4	-	-
8.6	2.0	7153	10.00	20.00	200.00	14161	3035	NMRV-P063/130	TS90S4	-	-
8.8	2.0	7153	10.00	20.00	200.00	14161	3035	-	-	NMRV-P063/130	56C
8.8	2.0	7153	10.00	20.00	200.00	14161	3035	-	-	NMRV-P063/130	143/145TC
8.8	1.4	7118	10.00	20.00	200.00	10081	2320	-	-	NMRV-P050/110	56C
8.8	1.4	7153	10.00	20.00	200.00	10081	2320	-	-	NMRV-P063/110	56C
8.8	1.4	7153	10.00	20.00	200.00	10081	2320	-	-	NMRV-P063/110	143/145TC
8.7	1.4	7118	10.00	20.00	200.00	10081	2320	NMRV-P050/110	TS80D4	-	-
8.7	1.4	7153	10.00	20.00	200.00	10081	2320	NMRV-P063/110	TS80D4	-	-
8.8	1.4	7153	10.00	20.00	200.00	10081	2320	NMRV-P063/110	TH90S4	-	-
8.8	1.4	7153	10.00	20.00	200.00	10081	2320	NMRV-P063/110	TP90S4	-	-
8.6	1.4	7153	10.00	20.00	200.00	10081	2320	NMRV-P063/110	TS90S4	-	-
6.9	2.1	8709	10.00	25.00	250.00	18144	4047	NMRV-P063/150	TS80D4	-	-
7.0	2.1	8709	10.00	25.00	250.00	18144	4047	NMRV-P063/150	TH90S4	-	-
7.0	2.1	8709	10.00	25.00	250.00	18144	4047	NMRV-P063/150	TP90S4	-	-
6.9	2.1	8709	10.00	25.00	250.00	18144	4047	NMRV-P063/150	TS90S4	-	-
7.0	2.1	8709	10.00	25.00	250.00	18144	4047	-	-	NMRV-P063/150	56C
7.0	2.1	8709	10.00	25.00	250.00	18144	4047	-	-	NMRV-P063/150	143/145TC
7.0	1.6	8709	10.00	25.00	250.00	13542	3035	-	-	NMRV-P063/130	56C
7.0	1.6	8709	10.00	25.00	250.00	13542	3035	-	-	NMRV-P063/130	143/145TC
6.9	1.6	8709	10.00	25.00	250.00	13542	3035	NMRV-P063/130	TS80D4	-	-
7.0	1.6	8709	10.00	25.00	250.00	13542	3035	NMRV-P063/130	TH90S4	-	-

1.5 HP

Output speed [rpm]	Service factor sf	Output torque [in-lbs]	Ratio Stage 1	Ratio Stage 2	Exact ratio i	Max. torque [in-lbs]	OHL Output shaft [lbs]	Gearmotor		Gear Reducer	
								Reducer	Motor	Reducer	NEMA C-input
7.0	1.6	8709	10.00	25.00	250.00	13542	3035	NMRV-P063/130	TP90S4	-	-
6.9	1.6	8709	10.00	25.00	250.00	13542	3035	NMRV-P063/130	TS90S4	-	-
6.9	1.2	8709	10.00	25.00	250.00	10382	2320	NMRV-P063/110	TS80D4	-	-
7.0	1.2	8709	10.00	25.00	250.00	10382	2320	NMRV-P063/110	TH90S4	-	-
7.0	1.2	8709	10.00	25.00	250.00	10382	2320	NMRV-P063/110	TP90S4	-	-
6.9	1.2	8709	10.00	25.00	250.00	10382	2320	NMRV-P063/110	TS90S4	-	-
7.0	1.2	8667	10.00	25.00	250.00	10382	2320	-	-	NMRV-P050/110	56C
7.0	1.2	8709	10.00	25.00	250.00	10382	2320	-	-	NMRV-P063/110	56C
7.0	1.2	8709	10.00	25.00	250.00	10382	2320	-	-	NMRV-P063/110	143/145TC
6.9	1.2	8667	10.00	25.00	250.00	10382	2320	NMRV-P050/110	TS80D4	-	-
5.8	1.8	10388	15.00	20.00	300.00	19038	4047	NMRV-P063/150	TS80D4	-	-
5.8	1.8	10388	15.00	20.00	300.00	19038	4047	NMRV-P063/150	TH90S4	-	-
5.8	1.8	10388	15.00	20.00	300.00	19038	4047	NMRV-P063/150	TP90S4	-	-
5.7	1.8	10388	15.00	20.00	300.00	19038	4047	NMRV-P063/150	TS90S4	-	-
5.8	1.8	10388	15.00	20.00	300.00	19038	4047	-	-	NMRV-P063/150	56C
5.8	1.8	10388	15.00	20.00	300.00	19038	4047	-	-	NMRV-P063/150	143/145TC
5.8	1.6	9476	10.00	30.00	300.00	15577	3035	-	-	NMRV-P063/130	56C
5.8	1.6	9476	10.00	30.00	300.00	15577	3035	-	-	NMRV-P063/130	143/145TC
5.8	1.6	9476	10.00	30.00	300.00	15577	3035	NMRV-P063/130	TS80D4	-	-
5.8	1.6	9476	10.00	30.00	300.00	15577	3035	NMRV-P063/130	TH90S4	-	-
5.8	1.6	9476	10.00	30.00	300.00	15577	3035	NMRV-P063/130	TP90S4	-	-
5.7	1.6	9476	10.00	30.00	300.00	15577	3035	NMRV-P063/130	TS90S4	-	-
5.8	1.2	9337	10.00	30.00	300.00	11196	2320	NMRV-P063/110	TS80D4	-	-
5.8	1.2	9337	10.00	30.00	300.00	11196	2320	NMRV-P063/110	TH90S4	-	-
5.8	1.2	9337	10.00	30.00	300.00	11196	2320	NMRV-P063/110	TP90S4	-	-
5.7	1.2	9337	10.00	30.00	300.00	11196	2320	NMRV-P063/110	TS90S4	-	-
5.8	1.2	9291	10.00	30.00	300.00	11196	2320	NMRV-P050/110	TS80D4	-	-
5.8	1.2	9291	10.00	30.00	300.00	11196	2320	-	-	NMRV-P050/110	56C
5.8	1.2	9337	10.00	30.00	300.00	11196	2320	-	-	NMRV-P063/110	56C
5.8	1.2	9337	10.00	30.00	300.00	11196	2320	-	-	NMRV-P063/110	143/145TC
4.4	1.9	12263	10.00	40.00	400.00	23631	4047	-	-	NMRV-P063/150	56C
4.4	1.9	12263	10.00	40.00	400.00	23631	4047	-	-	NMRV-P063/150	143/145TC
4.3	1.9	12263	10.00	40.00	400.00	23631	4047	NMRV-P063/150	TS80D4	-	-
4.4	1.9	12263	10.00	40.00	400.00	23631	4047	NMRV-P063/150	TH90S4	-	-
4.4	1.9	12263	10.00	40.00	400.00	23631	4047	NMRV-P063/150	TP90S4	-	-
4.3	1.9	12263	10.00	40.00	400.00	23631	4047	NMRV-P063/150	TS90S4	-	-
4.3	1.2	12077	10.00	40.00	400.00	14604	3035	NMRV-P063/130	TS80D4	-	-
4.4	1.2	12077	10.00	40.00	400.00	14604	3035	NMRV-P063/130	TH90S4	-	-
4.4	1.2	12077	10.00	40.00	400.00	14604	3035	NMRV-P063/130	TP90S4	-	-
4.3	1.2	12077	10.00	40.00	400.00	14604	3035	NMRV-P063/130	TS90S4	-	-
4.4	1.2	12077	10.00	40.00	400.00	14604	3035	-	-	NMRV-P063/130	56C

1.5 HP

Output speed [rpm]	Service factor sf	Output torque [in-lbs]	Ratio Stage 1	Ratio Stage 2	Exact ratio i	Max. torque [in-lbs]	OHL Output shaft [lbs]	Gearmotor		Gear Reducer	
								Reducer	Motor	Reducer	NEMA C-input
4.4	1.2	12077	10.00	40.00	400.00	14604	3035	-	-	NMRV-P063/130	143/145TC
3.5	1.4	14400	10.00	50.00	500.00	20622	4047	-	-	NMRV-P063/150	56C
3.5	1.4	14400	10.00	50.00	500.00	20622	4047	-	-	NMRV-P063/150	143/145TC
3.5	1.4	14400	10.00	50.00	500.00	20622	4047	NMRV-P063/150	TS80D4	-	-
3.5	1.4	14400	10.00	50.00	500.00	20622	4047	NMRV-P063/150	TH90S4	-	-
3.5	1.4	14400	10.00	50.00	500.00	20622	4047	NMRV-P063/150	TP90S4	-	-
3.4	1.4	14400	10.00	50.00	500.00	20622	4047	NMRV-P063/150	TS90S4	-	-
2.9	1.3	17808	15.00	40.00	600.00	23631	4047	NMRV-P063/150	TS80D4	-	-
2.9	1.3	17808	15.00	40.00	600.00	23631	4047	NMRV-P063/150	TH90S4	-	-
2.9	1.3	17808	15.00	40.00	600.00	23631	4047	NMRV-P063/150	TP90S4	-	-
2.9	1.3	17808	15.00	40.00	600.00	23631	4047	NMRV-P063/150	TS90S4	-	-
2.9	1.3	17808	15.00	40.00	600.00	23631	4047	-	-	NMRV-P063/150	56C
2.9	1.3	17808	15.00	40.00	600.00	23631	4047	-	-	NMRV-P063/150	143/145TC

2 HP

Output speed [rpm]	Service factor sf	Output torque [in-lbs]	Ratio Stage 1	Ratio Stage 2	Exact ratio i	Max. torque [in-lbs]	OHL Output shaft [lbs]	Gearmotor		Gear Reducer	
								Reducer	Motor	Reducer	NEMA C-input
17.5	2.4	3855	10.00	10.00	100.00	9201	2410	-	-	NMRV-P063/130	56C
17.5	2.4	3855	10.00	10.00	100.00	9201	2410	-	-	NMRV-P063/130	143/145TC
17.4	1.8	5257	10.00	10.00	100.00	9201	2410	NMRV-P063/130	TH90L4	-	-
17.5	1.8	5257	10.00	10.00	100.00	9201	2410	NMRV-P063/130	TP90L4	-	-
17.2	1.8	5257	10.00	10.00	100.00	9201	2410	NMRV-P063/130	TS90LA4	-	-
17.4	1.8	5194	10.00	10.00	100.00	9090	1843	NMRV-P063/110	TH90L4	-	-
17.5	1.8	5194	10.00	10.00	100.00	9090	1843	NMRV-P063/110	TP90L4	-	-
17.2	1.8	5194	10.00	10.00	100.00	9090	1843	NMRV-P063/110	TS90LA4	-	-
17.5	2.4	3809	10.00	10.00	100.00	9090	1843	-	-	NMRV-P063/110	56C
17.5	2.4	3809	10.00	10.00	100.00	9090	1843	-	-	NMRV-P063/110	143/145TC
17.5	1.4	3790	10.00	10.00	100.00	5446	1843	-	-	NMRV-P050/110	56C
17.5	1.4	3790	10.00	10.00	100.00	5222	1458	-	-	NMRV-P050/090	56C
11.7	3.0	5488	7.50	20.00	150.00	16575	4047	-	-	NMRV-P063/150	56C
11.7	3.0	5488	7.50	20.00	150.00	16575	4047	-	-	NMRV-P063/150	143/145TC
11.6	2.2	7483	7.50	20.00	150.00	16575	4047	NMRV-P063/150	TH90L4	-	-
11.7	2.2	7483	7.50	20.00	150.00	16575	4047	NMRV-P063/150	TP90L4	-	-
11.5	2.2	7483	7.50	20.00	150.00	16575	4047	NMRV-P063/150	TS90LA4	-	-
11.6	1.8	7411	10.00	15.00	150.00	12969	2759	NMRV-P063/130	TH90L4	-	-
11.7	1.8	7411	10.00	15.00	150.00	12969	2759	NMRV-P063/130	TP90L4	-	-
11.5	1.8	7411	10.00	15.00	150.00	12969	2759	NMRV-P063/130	TS90LA4	-	-
11.7	2.4	5435	10.00	15.00	150.00	12969	2759	-	-	NMRV-P063/130	56C
11.7	2.4	5435	10.00	15.00	150.00	12969	2759	-	-	NMRV-P063/130	143/145TC
11.7	1.9	5504	10.00	15.00	150.00	10585	2110	-	-	NMRV-P063/110	56C
11.7	1.9	5504	10.00	15.00	150.00	10585	2110	-	-	NMRV-P063/110	143/145TC

2 HP

Output speed [rpm]	Service factor sf	Output torque [in-lbs]	Ratio Stage 1	Ratio Stage 2	Exact ratio i	Max. torque [in-lbs]	OHL Output shaft [lbs]	Gearmotor		Gear Reducer	
								Reducer	Motor	Reducer	NEMA C-input
11.6	1.4	7506	10.00	15.00	150.00	10585	2110	NMRV-P063/110	TH90L4	-	-
11.7	1.4	7506	10.00	15.00	150.00	10585	2110	NMRV-P063/110	TP90L4	-	-
11.5	1.4	7506	10.00	15.00	150.00	10585	2110	NMRV-P063/110	TS90LA4	-	-
11.7	1.4	5477	10.00	15.00	150.00	7871	2110	-	-	NMRV-P050/110	56C
11.7	1.1	5408	10.00	15.00	150.00	5841	1669	-	-	NMRV-P050/090	56C
8.8	2.4	7153	10.00	20.00	200.00	17071	4047	-	-	NMRV-P063/150	56C
8.8	2.4	7153	10.00	20.00	200.00	17071	4047	-	-	NMRV-P063/150	143/145TC
8.7	1.8	9755	10.00	20.00	200.00	17071	4047	NMRV-P063/150	TH90L4	-	-
8.8	1.8	9755	10.00	20.00	200.00	17071	4047	NMRV-P063/150	TP90L4	-	-
8.6	1.8	9755	10.00	20.00	200.00	17071	4047	NMRV-P063/150	TS90LA4	-	-
8.7	1.5	9755	10.00	20.00	200.00	14161	3035	NMRV-P063/130	TH90L4	-	-
8.8	1.5	9755	10.00	20.00	200.00	14161	3035	NMRV-P063/130	TP90L4	-	-
8.6	1.5	9755	10.00	20.00	200.00	14161	3035	NMRV-P063/130	TS90LA4	-	-
8.8	2.0	7153	10.00	20.00	200.00	14161	3035	-	-	NMRV-P063/130	56C
8.8	2.0	7153	10.00	20.00	200.00	14161	3035	-	-	NMRV-P063/130	143/145TC
8.8	1.4	7118	10.00	20.00	200.00	10081	2320	-	-	NMRV-P050/110	56C
8.8	1.4	7153	10.00	20.00	200.00	10081	2320	-	-	NMRV-P063/110	56C
8.8	1.4	7153	10.00	20.00	200.00	10081	2320	-	-	NMRV-P063/110	143/145TC
8.7	1.0	9755	10.00	20.00	200.00	10081	2320	NMRV-P063/110	TH90L4	-	-
8.8	1.0	9755	10.00	20.00	200.00	10081	2320	NMRV-P063/110	TP90L4	-	-
8.6	1.0	9755	10.00	20.00	200.00	10081	2320	NMRV-P063/110	TS90LA4	-	-
7.0	1.5	11877	10.00	25.00	250.00	18144	4047	NMRV-P063/150	TH90L4	-	-
7.0	1.5	11877	10.00	25.00	250.00	18144	4047	NMRV-P063/150	TP90L4	-	-
6.9	1.5	11877	10.00	25.00	250.00	18144	4047	NMRV-P063/150	TS90LA4	-	-
7.0	2.1	8709	10.00	25.00	250.00	18144	4047	-	-	NMRV-P063/150	56C
7.0	2.1	8709	10.00	25.00	250.00	18144	4047	-	-	NMRV-P063/150	143/145TC
7.0	1.6	8709	10.00	25.00	250.00	13542	3035	-	-	NMRV-P063/130	56C
7.0	1.6	8709	10.00	25.00	250.00	13542	3035	-	-	NMRV-P063/130	143/145TC
7.0	1.1	11877	10.00	25.00	250.00	13542	3035	NMRV-P063/130	TH90L4	-	-
7.0	1.1	11877	10.00	25.00	250.00	13542	3035	NMRV-P063/130	TP90L4	-	-
6.9	1.1	11877	10.00	25.00	250.00	13542	3035	NMRV-P063/130	TS90LA4	-	-
7.0	1.2	8667	10.00	25.00	250.00	10382	2320	-	-	NMRV-P050/110	56C
7.0	1.2	8709	10.00	25.00	250.00	10382	2320	-	-	NMRV-P063/110	56C
7.0	1.2	8709	10.00	25.00	250.00	10382	2320	-	-	NMRV-P063/110	143/145TC
5.8	1.8	10388	15.00	20.00	300.00	19038	4047	-	-	NMRV-P063/150	56C
5.8	1.8	10388	15.00	20.00	300.00	19038	4047	-	-	NMRV-P063/150	143/145TC
5.8	1.3	14166	15.00	20.00	300.00	19038	4047	NMRV-P063/150	TH90L4	-	-
5.8	1.3	14166	15.00	20.00	300.00	19038	4047	NMRV-P063/150	TP90L4	-	-
5.7	1.3	14166	15.00	20.00	300.00	19038	4047	NMRV-P063/150	TS90LA4	-	-
5.8	1.2	12922	10.00	30.00	300.00	15577	3035	NMRV-P063/130	TH90L4	-	-
5.8	1.2	12922	10.00	30.00	300.00	15577	3035	NMRV-P063/130	TP90L4	-	-

2 HP

Output speed [rpm]	Service factor sf	Output torque [in-lbs]	Ratio Stage 1	Ratio Stage 2	Exact ratio i	Max. torque [in-lbs]	OHL Output shaft [lbs]	Gearmotor		Gear Reducer	
								Reducer	Motor	Reducer	NEMA C-input
5.7	1.2	12922	10.00	30.00	300.00	15577	3035	NMRV-P063/130	TS90LA4	-	-
5.8	1.6	9476	10.00	30.00	300.00	15577	3035	-	-	NMRV-P063/130	56C
5.8	1.6	9476	10.00	30.00	300.00	15577	3035	-	-	NMRV-P063/130	143/145TC
5.8	1.2	9291	10.00	30.00	300.00	11196	2320	-	-	NMRV-P050/110	56C
5.8	1.2	9337	10.00	30.00	300.00	11196	2320	-	-	NMRV-P063/110	56C
5.8	1.2	9337	10.00	30.00	300.00	11196	2320	-	-	NMRV-P063/110	143/145TC
4.4	1.9	12263	10.00	40.00	400.00	23631	4047	-	-	NMRV-P063/150	56C
4.4	1.9	12263	10.00	40.00	400.00	23631	4047	-	-	NMRV-P063/150	143/145TC
4.3	1.4	16722	10.00	40.00	400.00	23631	4047	NMRV-P063/150	TH90L4	-	-
4.4	1.4	16722	10.00	40.00	400.00	23631	4047	NMRV-P063/150	TP90L4	-	-
4.3	1.4	16722	10.00	40.00	400.00	23631	4047	NMRV-P063/150	TS90LA4	-	-
4.4	1.2	12077	10.00	40.00	400.00	14604	3035	-	-	NMRV-P063/130	56C
4.4	1.2	12077	10.00	40.00	400.00	14604	3035	-	-	NMRV-P063/130	143/145TC
3.5	1.4	14400	10.00	50.00	500.00	20622	4047	-	-	NMRV-P063/150	56C
3.5	1.4	14400	10.00	50.00	500.00	20622	4047	-	-	NMRV-P063/150	143/145TC
3.5	1.1	19636	10.00	50.00	500.00	20622	4047	NMRV-P063/150	TH90L4	-	-
3.5	1.1	19636	10.00	50.00	500.00	20622	4047	NMRV-P063/150	TP90L4	-	-
3.4	1.1	19636	10.00	50.00	500.00	20622	4047	NMRV-P063/150	TS90LA4	-	-
2.9	1.3	17808	15.00	40.00	600.00	23631	4047	-	-	NMRV-P063/150	56C
2.9	1.3	17808	15.00	40.00	600.00	23631	4047	-	-	NMRV-P063/150	143/145TC

Maximum torque [in-lbs]	Output speed [rpm]	Exact ratio i	Maximum Power [HP]	OHL		Gear Reducer	
				Output shaft [lbs]	Input shaft [lbs]	Motorized Input	Shaft Input
283	8.8	100.00	0.06	323	-	NMRV025/030	-
248	5.8	150.00	0.043	407	-	NMRV025/030	-
248	4.4	200.00	0.034	407	-	NMRV025/030	-
301	3.5	250.00	0.038	411	-	NMRV025/030	-
274	2.9	300.00	0.03	411	-	NMRV025/030	-
248	2.2	400.00	0.019	407	-	NMRV025/030	-
301	1.8	500.00	0.021	411	-	NMRV025/030	-
274	1.5	600.00	0.016	411	-	NMRV025/030	-
301	1.2	750.00	0.016	411	-	NMRV025/030	-
204	1.0	900.00	0.01	411	-	NMRV025/030	-
248	0.7	1200.00	0.009	411	-	NMRV025/030	-
230	0.6	1500.00	0.008	411	-	NMRV025/030	-
274	0.5	1800.00	0.008	411	-	NMRV025/030	-
248	0.4	2400.00	0.006	411	-	NMRV025/030	-
230	0.3	3000.00	0.005	411	-	NMRV025/030	-
177	0.2	4000.00	0.003	411	-	NMRV025/030	-
628	8.8	100.00	0.14	622	-	NMRV025/040	-
575	5.8	150.00	0.09	784	-	NMRV025/040	-
575	4.4	200.00	0.07	784	-	NMRV025/040	-
540	3.5	250.00	0.06	785	-	NMRV025/040	-
646	2.9	300.00	0.06	785	-	NMRV025/040	-
575	2.2	400.00	0.04	784	-	NMRV025/040	-
540	1.8	500.00	0.032	785	-	NMRV025/040	-
646	1.5	600.00	0.035	785	-	NMRV025/040	-
540	1.2	750.00	0.024	785	-	NMRV025/040	-
646	1.0	900.00	0.026	785	-	NMRV025/040	-
575	0.7	1200.00	0.019	785	-	NMRV025/040	-
531	0.6	1500.00	0.015	785	-	NMRV025/040	-
646	0.5	1800.00	0.016	785	-	NMRV025/040	-
575	0.4	2400.00	0.012	785	-	NMRV025/040	-
531	0.3	3000.00	0.01	785	-	NMRV025/040	-
425	0.2	4000.00	0.007	785	-	NMRV025/040	-
381	0.2	5000.00	0.005	785	-	NMRV025/040	-
628	8.8	100.00	0.14	622	47	NMRV030/040	NRV030/040
637	5.8	150.00	0.1	713	47	NMRV030/040	NRV030/040
575	4.4	200.00	0.07	784	47	NMRV030/040	NRV030/040
540	3.5	250.00	0.06	785	47	NMRV030/040	NRV030/040
646	2.9	300.00	0.06	785	47	NMRV030/040	NRV030/040
575	2.2	400.00	0.047	785	47	NMRV030/040	NRV030/040
540	1.8	500.00	0.032	785	47	NMRV030/040	NRV030/040
646	1.5	600.00	0.036	785	47	NMRV030/040	NRV030/040
646	1.2	750.00	0.031	785	47	NMRV030/040	NRV030/040
646	1.0	900.00	0.027	785	47	NMRV030/040	NRV030/040

Maximum torque [in-lbs]	Output speed [rpm]	Exact ratio i	Maximum Power [HP]	OHL		Gear Reducer	
				Output shaft [lbs]	Input shaft [lbs]	Motorized Input	Shaft Input
646	0.7	1200.00	0.023	785	47	NMRV030/040	NRV030/040
646	0.6	1500.00	0.019	785	47	NMRV030/040	NRV030/040
646	0.5	1800.00	0.018	785	47	NMRV030/040	NRV030/040
575	0.4	2400.00	0.013	785	47	NMRV030/040	NRV030/040
531	0.3	3000.00	0.01	785	47	NMRV030/040	NRV030/040
425	0.2	4000.00	0.007	785	47	NMRV030/040	NRV030/040
381	0.2	5000.00	0.006	785	47	NMRV030/040	NRV030/040
1213	8.8	100.00	0.26	854	47	NMRV030/050	NRV030/050
1195	5.8	150.00	0.19	978	47	NMRV030/050	NRV030/050
1062	4.4	200.00	0.13	1076	47	NMRV030/050	NRV030/050
974	3.5	250.00	0.1	1088	47	NMRV030/050	NRV030/050
1283	2.9	300.00	0.12	1088	47	NMRV030/050	NRV030/050
1097	2.2	400.00	0.09	1088	47	NMRV030/050	NRV030/050
1062	1.8	500.00	0.07	1088	47	NMRV030/050	NRV030/050
1283	1.5	600.00	0.07	1088	47	NMRV030/050	NRV030/050
1283	1.2	750.00	0.06	1088	47	NMRV030/050	NRV030/050
1283	1.0	900.00	0.05	1088	47	NMRV030/050	NRV030/050
1283	0.7	1200.00	0.044	1088	47	NMRV030/050	NRV030/050
1283	0.6	1500.00	0.038	1088	47	NMRV030/050	NRV030/050
1283	0.5	1800.00	0.034	1088	47	NMRV030/050	NRV030/050
1097	0.4	2400.00	0.024	1088	47	NMRV030/050	NRV030/050
1062	0.3	3000.00	0.02	1088	47	NMRV030/050	NRV030/050
726	0.2	4000.00	0.012	1088	47	NMRV030/050	NRV030/050
699	0.2	5000.00	0.01	1088	47	NMRV030/050	NRV030/050
1470	8.8	100.00	0.32	1117	47	NMRV-P030/063	NRV-P030/063
2065	5.8	150.00	0.32	1278	47	NMRV-P030/063	NRV-P030/063
2239	4.4	200.00	0.27	1407	47	NMRV-P030/063	NRV-P030/063
2045	3.5	250.00	0.21	1410	47	NMRV-P030/063	NRV-P030/063
2259	2.9	300.00	0.22	1410	47	NMRV-P030/063	NRV-P030/063
2259	2.2	400.00	0.17	1410	47	NMRV-P030/063	NRV-P030/063
2089	1.8	500.00	0.14	1410	47	NMRV-P030/063	NRV-P030/063
2398	1.5	600.00	0.13	1410	47	NMRV-P030/063	NRV-P030/063
2398	1.2	750.00	0.11	1410	47	NMRV-P030/063	NRV-P030/063
2398	1.0	900.00	0.1	1410	47	NMRV-P030/063	NRV-P030/063
2398	0.7	1200.00	0.08	1410	47	NMRV-P030/063	NRV-P030/063
2398	0.6	1500.00	0.07	1410	47	NMRV-P030/063	NRV-P030/063
2398	0.5	1800.00	0.06	1410	47	NMRV-P030/063	NRV-P030/063
2259	0.4	2400.00	0.049	1410	47	NMRV-P030/063	NRV-P030/063
2089	0.3	3000.00	0.039	1410	47	NMRV-P030/063	NRV-P030/063
2089	0.2	4000.00	0.033	1410	47	NMRV-P030/063	NRV-P030/063
1328	0.2	5000.00	0.019	1410	47	NMRV-P030/063	NRV-P030/063
1213	8.8	100.00	0.26	854	79	NMRV040/050	NRV040/050
1195	5.8	150.00	0.18	978	79	NMRV040/050	NRV040/050



Maximum torque [in-lbs]	Output speed [rpm]	Exact ratio i	Maximum Power [HP]	OHL		Gear Reducer	
				Output shaft [lbs]	Input shaft [lbs]	Motorized Input	Shaft Input
1062	4.4	200.00	0.13	1076	79	NMRV040/050	NRV040/050
974	3.5	250.00	0.1	1088	79	NMRV040/050	NRV040/050
1283	2.9	300.00	0.12	1088	79	NMRV040/050	NRV040/050
1097	2.2	400.00	0.08	1088	79	NMRV040/050	NRV040/050
1213	1.8	500.00	0.07	854	79	NMRV040/050	NRV040/050
1283	1.5	600.00	0.07	1088	79	NMRV040/050	NRV040/050
1283	1.2	750.00	0.05	1088	79	NMRV040/050	NRV040/050
1195	1.0	900.00	0.046	978	79	NMRV040/050	NRV040/050
1283	0.7	1200.00	0.039	1088	79	NMRV040/050	NRV040/050
1283	0.6	1500.00	0.034	1088	79	NMRV040/050	NRV040/050
1283	0.5	1800.00	0.03	1088	79	NMRV040/050	NRV040/050
1097	0.4	2400.00	0.021	1088	79	NMRV040/050	NRV040/050
1062	0.3	3000.00	0.018	1088	79	NMRV040/050	NRV040/050
1062	0.2	4000.00	0.015	1088	79	NMRV040/050	NRV040/050
1062	0.2	5000.00	0.013	1088	79	NMRV040/050	NRV040/050
2277	8.8	100.00	0.48	1117	79	NMRV-P040/063	NRV-P040/063
2300	5.8	150.00	0.35	1278	79	NMRV-P040/063	NRV-P040/063
2239	4.4	200.00	0.27	1407	79	NMRV-P040/063	NRV-P040/063
2045	3.5	250.00	0.2	1410	79	NMRV-P040/063	NRV-P040/063
2398	2.9	300.00	0.22	1410	79	NMRV-P040/063	NRV-P040/063
2259	2.2	400.00	0.17	1410	79	NMRV-P040/063	NRV-P040/063
2045	1.8	500.00	0.11	1410	79	NMRV-P040/063	NRV-P040/063
2398	1.5	600.00	0.12	1410	79	NMRV-P040/063	NRV-P040/063
2398	1.2	750.00	0.1	1410	79	NMRV-P040/063	NRV-P040/063
2398	1.0	900.00	0.09	1410	79	NMRV-P040/063	NRV-P040/063
2398	0.7	1200.00	0.07	1410	79	NMRV-P040/063	NRV-P040/063
2398	0.6	1500.00	0.06	1410	79	NMRV-P040/063	NRV-P040/063
2398	0.5	1800.00	0.06	1410	79	NMRV-P040/063	NRV-P040/063
2259	0.4	2400.00	0.042	1410	79	NMRV-P040/063	NRV-P040/063
2089	0.3	3000.00	0.034	1410	79	NMRV-P040/063	NRV-P040/063
2089	0.2	4000.00	0.028	1410	79	NMRV-P040/063	NRV-P040/063
2089	0.2	5000.00	0.025	1410	79	NMRV-P040/063	NRV-P040/063
3401	8.8	100.00	0.71	1318	79	NMRV-P040/075	NRV-P040/075
3761	5.8	150.00	0.55	1509	79	NMRV-P040/075	NRV-P040/075
3715	4.4	200.00	0.43	1659	79	NMRV-P040/075	NRV-P040/075
3359	3.5	250.00	0.33	1659	79	NMRV-P040/075	NRV-P040/075
3929	2.9	300.00	0.34	1659	79	NMRV-P040/075	NRV-P040/075
3664	2.2	400.00	0.26	1659	79	NMRV-P040/075	NRV-P040/075
3257	1.8	500.00	0.2	1659	79	NMRV-P040/075	NRV-P040/075
3929	1.5	600.00	0.19	1659	79	NMRV-P040/075	NRV-P040/075
3929	1.2	750.00	0.16	1659	79	NMRV-P040/075	NRV-P040/075
3929	1.0	900.00	0.14	1659	79	NMRV-P040/075	NRV-P040/075
3929	0.7	1200.00	0.11	1659	79	NMRV-P040/075	NRV-P040/075

Maximum torque [in-lbs]	Output speed [rpm]	Exact ratio i	Maximum Power [HP]	OHL		Gear Reducer	
				Output shaft [lbs]	Input shaft [lbs]	Motorized Input	Shaft Input
3929	0.6	1500.00	0.1	1659	79	NMRV-P040/075	NRV-P040/075
3929	0.5	1800.00	0.09	1659	79	NMRV-P040/075	NRV-P040/075
3664	0.4	2400.00	0.07	1659	79	NMRV-P040/075	NRV-P040/075
3257	0.3	3000.00	0.05	1659	79	NMRV-P040/075	NRV-P040/075
3257	0.2	4000.00	0.043	1659	79	NMRV-P040/075	NRV-P040/075
3257	0.2	5000.00	0.038	1659	79	NMRV-P040/075	NRV-P040/075
3486	8.8	100.00	0.71	1458	79	NMRV-P040/090	NRV-P040/090
4974	5.8	150.00	0.71	1669	79	NMRV-P040/090	NRV-P040/090
5399	4.4	200.00	0.6	1838	79	NMRV-P040/090	NRV-P040/090
5045	3.5	250.00	0.47	1839	79	NMRV-P040/090	NRV-P040/090
6196	2.9	300.00	0.52	1839	79	NMRV-P040/090	NRV-P040/090
5399	2.2	400.00	0.36	1839	79	NMRV-P040/090	NRV-P040/090
4956	1.8	500.00	0.29	1839	79	NMRV-P040/090	NRV-P040/090
6196	1.5	600.00	0.28	1839	79	NMRV-P040/090	NRV-P040/090
6196	1.2	750.00	0.23	1839	79	NMRV-P040/090	NRV-P040/090
6196	1.0	900.00	0.21	1839	79	NMRV-P040/090	NRV-P040/090
6196	0.7	1200.00	0.17	1839	79	NMRV-P040/090	NRV-P040/090
6196	0.6	1500.00	0.15	1839	79	NMRV-P040/090	NRV-P040/090
6196	0.5	1800.00	0.13	1839	79	NMRV-P040/090	NRV-P040/090
5399	0.4	2400.00	0.09	1839	79	NMRV-P040/090	NRV-P040/090
4956	0.3	3000.00	0.07	1839	79	NMRV-P040/090	NRV-P040/090
4956	0.2	4000.00	0.06	1839	79	NMRV-P040/090	NRV-P040/090
4956	0.2	5000.00	0.05	1839	79	NMRV-P040/090	NRV-P040/090
5222	8.8	100.00	1.04	1458	110	NMRV-P050/090	NRV-P050/090
5841	5.8	150.00	0.82	1669	110	NMRV-P050/090	NRV-P050/090
5399	4.4	200.00	0.59	1838	110	NMRV-P050/090	NRV-P050/090
5045	3.5	250.00	0.46	1839	110	NMRV-P050/090	NRV-P050/090
6196	2.9	300.00	0.5	1839	110	NMRV-P050/090	NRV-P050/090
5399	2.2	400.00	0.36	1839	110	NMRV-P050/090	NRV-P050/090
5045	1.8	500.00	0.25	1839	110	NMRV-P050/090	NRV-P050/090
6196	1.5	600.00	0.28	1839	110	NMRV-P050/090	NRV-P050/090
6196	1.2	750.00	0.23	1839	110	NMRV-P050/090	NRV-P050/090
6196	1.0	900.00	0.21	1839	110	NMRV-P050/090	NRV-P050/090
6196	0.7	1200.00	0.17	1839	110	NMRV-P050/090	NRV-P050/090
6196	0.6	1500.00	0.14	1839	110	NMRV-P050/090	NRV-P050/090
6196	0.5	1800.00	0.13	1839	110	NMRV-P050/090	NRV-P050/090
5399	0.4	2400.00	0.09	1839	110	NMRV-P050/090	NRV-P050/090
4956	0.3	3000.00	0.07	1839	110	NMRV-P050/090	NRV-P050/090
4956	0.2	4000.00	0.06	1839	110	NMRV-P050/090	NRV-P050/090
4956	0.2	5000.00	0.05	1839	110	NMRV-P050/090	NRV-P050/090
6677	8.8	100.00	1.33	1843	110	NMRV-P050/110	NRV-P050/110
9649	5.8	150.00	1.33	2110	110	NMRV-P050/110	NRV-P050/110
10081	4.4	200.00	1.07	2320	110	NMRV-P050/110	NRV-P050/110

Maximum torque [in-lbs]	Output speed [rpm]	Exact ratio i	Maximum Power [HP]	OHL		Gear Reducer	
				Output shaft [lbs]	Input shaft [lbs]	Motorized Input	Shaft Input
10382	3.5	250.00	0.9	2320	110	NMRV-P050/110	NRV-P050/110
11196	2.9	300.00	0.91	2320	110	NMRV-P050/110	NRV-P050/110
10488	2.2	400.00	0.66	2320	110	NMRV-P050/110	NRV-P050/110
10382	1.8	500.00	0.5	2320	110	NMRV-P050/110	NRV-P050/110
11196	1.5	600.00	0.5	2320	110	NMRV-P050/110	NRV-P050/110
11196	1.2	750.00	0.42	2320	110	NMRV-P050/110	NRV-P050/110
11196	1.0	900.00	0.37	2320	110	NMRV-P050/110	NRV-P050/110
11196	0.7	1200.00	0.3	2320	110	NMRV-P050/110	NRV-P050/110
11196	0.6	1500.00	0.26	2320	110	NMRV-P050/110	NRV-P050/110
11196	0.5	1800.00	0.23	2320	110	NMRV-P050/110	NRV-P050/110
10488	0.4	2400.00	0.17	2320	110	NMRV-P050/110	NRV-P050/110
9736	0.3	3000.00	0.13	2320	110	NMRV-P050/110	NRV-P050/110
9736	0.2	4000.00	0.11	2320	110	NMRV-P050/110	NRV-P050/110
9736	0.2	5000.00	0.1	2320	110	NMRV-P050/110	NRV-P050/110
9975	8.8	100.00	1.99	1843	157	NMRV-P063/110	NRV-P063/110
10585	5.8	150.00	1.46	2110	157	NMRV-P063/110	NRV-P063/110
10081	4.4	200.00	1.07	2320	157	NMRV-P063/110	NRV-P063/110
10382	3.5	250.00	0.9	2320	157	NMRV-P063/110	NRV-P063/110
11196	2.9	300.00	0.91	2320	157	NMRV-P063/110	NRV-P063/110
10488	2.2	400.00	0.66	2320	157	NMRV-P063/110	NRV-P063/110
10382	1.8	500.00	0.49	2320	157	NMRV-P063/110	NRV-P063/110
11196	1.5	600.00	0.5	2320	157	NMRV-P063/110	NRV-P063/110
11196	1.2	750.00	0.41	2320	157	NMRV-P063/110	NRV-P063/110
11196	1.0	900.00	0.36	2320	157	NMRV-P063/110	NRV-P063/110
11196	0.7	1200.00	0.29	2320	157	NMRV-P063/110	NRV-P063/110
11196	0.6	1500.00	0.25	2320	157	NMRV-P063/110	NRV-P063/110
11196	0.5	1800.00	0.22	2320	157	NMRV-P063/110	NRV-P063/110
10488	0.4	2400.00	0.16	2320	157	NMRV-P063/110	NRV-P063/110
9736	0.3	3000.00	0.12	2320	157	NMRV-P063/110	NRV-P063/110
9736	0.2	4000.00	0.1	2320	157	NMRV-P063/110	NRV-P063/110
9736	0.2	5000.00	0.09	2320	157	NMRV-P063/110	NRV-P063/110
11242	8.8	100.00	2.21	2410	157	NMRV-P063/130	NRV-P063/130
15046	5.8	150.00	2.1	2759	157	NMRV-P063/130	NRV-P063/130
14161	4.4	200.00	1.5	3035	157	NMRV-P063/130	NRV-P063/130
13542	3.5	250.00	1.18	3035	157	NMRV-P063/130	NRV-P063/130
15577	2.9	300.00	1.25	3035	157	NMRV-P063/130	NRV-P063/130
14604	2.2	400.00	0.92	3035	157	NMRV-P063/130	NRV-P063/130
13719	1.8	500.00	0.72	3035	157	NMRV-P063/130	NRV-P063/130
15577	1.5	600.00	0.68	3035	157	NMRV-P063/130	NRV-P063/130
15577	1.2	750.00	0.56	3035	157	NMRV-P063/130	NRV-P063/130
15577	1.0	900.00	0.5	3035	157	NMRV-P063/130	NRV-P063/130
15577	0.7	1200.00	0.4	3035	157	NMRV-P063/130	NRV-P063/130
15577	0.6	1500.00	0.34	3035	157	NMRV-P063/130	NRV-P063/130

Maximum torque [in-lbs]	Output speed [rpm]	Exact ratio i	Maximum Power [HP]	OHL		Gear Reducer	
				Output shaft [lbs]	Input shaft [lbs]	Motorized Input	Shaft Input
15577	0.5	1800.00	0.3	3035	157	NMRV-PO63/130	NRV-PO63/130
14604	0.4	2400.00	0.22	3035	157	NMRV-PO63/130	NRV-PO63/130
13719	0.3	3000.00	0.17	3035	157	NMRV-PO63/130	NRV-PO63/130
13719	0.2	4000.00	0.14	3035	157	NMRV-PO63/130	NRV-PO63/130
13719	0.2	5000.00	0.13	3035	157	NMRV-PO63/130	NRV-PO63/130
20581	5.8	150.00	2.81	4047	157	NMRV-PO63/150	NRV-PO63/150
20711	4.4	200.00	2.2	4047	157	NMRV-PO63/150	NRV-PO63/150
18144	3.5	250.00	1.58	4047	157	NMRV-PO63/150	NRV-PO63/150
20711	2.9	300.00	1.52	4047	157	NMRV-PO63/150	NRV-PO63/150
23631	2.2	400.00	1.46	4047	157	NMRV-PO63/150	NRV-PO63/150
20622	1.8	500.00	1.09	4047	157	NMRV-PO63/150	NRV-PO63/150
23631	1.5	600.00	1.01	4047	157	NMRV-PO63/150	NRV-PO63/150
20622	1.2	750.00	0.75	4047	157	NMRV-PO63/150	NRV-PO63/150
18587	1.0	900.00	0.55	4047	157	NMRV-PO63/150	NRV-PO63/150
23631	0.7	1200.00	0.58	4047	157	NMRV-PO63/150	NRV-PO63/150
20622	0.6	1500.00	0.43	4047	157	NMRV-PO63/150	NRV-PO63/150
18587	0.5	1800.00	0.33	4047	157	NMRV-PO63/150	NRV-PO63/150
23631	0.4	2400.00	0.35	4047	157	NMRV-PO63/150	NRV-PO63/150
20622	0.3	3000.00	0.26	4047	157	NMRV-PO63/150	NRV-PO63/150
20622	0.2	4000.00	0.22	4047	157	NMRV-PO63/150	NRV-PO63/150
20622	0.2	5000.00	0.19	4047	157	NMRV-PO63/150	NRV-PO63/150

Maximum torque [in-lbs]	Output speed [rpm]	Exact ratio i	Maximum Power [HP]	OHL		Gear Reducer	
				Output shaft [lbs]	Input shaft [lbs]	Motorized Input	Shaft Input
283	11.4	100.00	0.08	323	-	NMRV025/030	-
248	7.6	150.00	0.06	407	-	NMRV025/030	-
248	5.7	200.00	0.043	407	-	NMRV025/030	-
301	4.6	250.00	0.048	411	-	NMRV025/030	-
274	3.8	300.00	0.038	411	-	NMRV025/030	-
248	2.9	400.00	0.024	407	-	NMRV025/030	-
301	2.3	500.00	0.027	411	-	NMRV025/030	-
274	1.9	600.00	0.021	411	-	NMRV025/030	-
301	1.5	750.00	0.02	411	-	NMRV025/030	-
204	1.3	900.00	0.013	411	-	NMRV025/030	-
248	1.0	1200.00	0.012	411	-	NMRV025/030	-
230	0.8	1500.00	0.01	411	-	NMRV025/030	-
274	0.6	1800.00	0.01	411	-	NMRV025/030	-
248	0.5	2400.00	0.007	411	-	NMRV025/030	-
230	0.4	3000.00	0.006	411	-	NMRV025/030	-
177	0.3	4000.00	0.004	411	-	NMRV025/030	-
628	11.4	100.00	0.18	622	-	NMRV025/040	-
575	7.6	150.00	0.12	784	-	NMRV025/040	-
575	5.7	200.00	0.09	784	-	NMRV025/040	-
540	4.6	250.00	0.07	785	-	NMRV025/040	-
646	3.8	300.00	0.08	785	-	NMRV025/040	-
575	2.9	400.00	0.05	784	-	NMRV025/040	-
540	2.3	500.00	0.041	785	-	NMRV025/040	-
646	1.9	600.00	0.045	785	-	NMRV025/040	-
540	1.5	750.00	0.03	785	-	NMRV025/040	-
646	1.3	900.00	0.033	785	-	NMRV025/040	-
575	1.0	1200.00	0.025	785	-	NMRV025/040	-
531	0.8	1500.00	0.02	785	-	NMRV025/040	-
646	0.6	1800.00	0.021	785	-	NMRV025/040	-
575	0.5	2400.00	0.015	785	-	NMRV025/040	-
531	0.4	3000.00	0.012	785	-	NMRV025/040	-
425	0.3	4000.00	0.008	785	-	NMRV025/040	-
381	0.2	5000.00	0.007	785	-	NMRV025/040	-
628	11.4	100.00	0.18	622	44	NMRV030/040	NRV030/040
637	7.6	150.00	0.13	713	44	NMRV030/040	NRV030/040
575	5.7	200.00	0.09	784	44	NMRV030/040	NRV030/040
540	4.6	250.00	0.07	785	44	NMRV030/040	NRV030/040
646	3.8	300.00	0.08	785	44	NMRV030/040	NRV030/040
575	2.9	400.00	0.06	785	44	NMRV030/040	NRV030/040
540	2.3	500.00	0.041	785	47	NMRV030/040	NRV030/040
646	1.9	600.00	0.045	785	47	NMRV030/040	NRV030/040
646	1.5	750.00	0.039	785	47	NMRV030/040	NRV030/040
646	1.3	900.00	0.034	785	47	NMRV030/040	NRV030/040

Maximum torque [in-lbs]	Output speed [rpm]	Exact ratio i	Maximum Power [HP]	OHL		Gear Reducer	
				Output shaft [lbs]	Input shaft [lbs]	Motorized Input	Shaft Input
646	1.0	1200.00	0.028	785	47	NMRV030/040	NRV030/040
646	0.8	1500.00	0.024	785	47	NMRV030/040	NRV030/040
646	0.6	1800.00	0.022	785	47	NMRV030/040	NRV030/040
575	0.5	2400.00	0.016	785	47	NMRV030/040	NRV030/040
531	0.4	3000.00	0.013	785	47	NMRV030/040	NRV030/040
425	0.3	4000.00	0.009	785	47	NMRV030/040	NRV030/040
381	0.2	5000.00	0.007	785	47	NMRV030/040	NRV030/040
1213	11.4	100.00	0.34	854	44	NMRV030/050	NRV030/050
1195	7.6	150.00	0.24	978	44	NMRV030/050	NRV030/050
1062	5.7	200.00	0.17	1076	44	NMRV030/050	NRV030/050
974	4.6	250.00	0.13	1088	44	NMRV030/050	NRV030/050
1283	3.8	300.00	0.16	1088	44	NMRV030/050	NRV030/050
1097	2.9	400.00	0.11	1088	44	NMRV030/050	NRV030/050
1062	2.3	500.00	0.09	1088	44	NMRV030/050	NRV030/050
1283	1.9	600.00	0.09	1088	47	NMRV030/050	NRV030/050
1283	1.5	750.00	0.08	1088	47	NMRV030/050	NRV030/050
1283	1.3	900.00	0.07	1088	47	NMRV030/050	NRV030/050
1283	1.0	1200.00	0.06	1088	47	NMRV030/050	NRV030/050
1283	0.8	1500.00	0.048	1088	47	NMRV030/050	NRV030/050
1283	0.6	1800.00	0.043	1088	47	NMRV030/050	NRV030/050
1097	0.5	2400.00	0.031	1088	47	NMRV030/050	NRV030/050
1062	0.4	3000.00	0.026	1088	47	NMRV030/050	NRV030/050
726	0.3	4000.00	0.015	1088	47	NMRV030/050	NRV030/050
699	0.2	5000.00	0.013	1088	47	NMRV030/050	NRV030/050
1399	11.4	100.00	0.39	1117	44	NMRV-P030/063	NRV-P030/063
1965	7.6	150.00	0.39	1278	44	NMRV-P030/063	NRV-P030/063
2239	5.7	200.00	0.35	1407	44	NMRV-P030/063	NRV-P030/063
2045	4.6	250.00	0.27	1410	44	NMRV-P030/063	NRV-P030/063
2259	3.8	300.00	0.29	1410	39	NMRV-P030/063	NRV-P030/063
2259	2.9	400.00	0.22	1410	44	NMRV-P030/063	NRV-P030/063
2089	2.3	500.00	0.18	1410	44	NMRV-P030/063	NRV-P030/063
2398	1.9	600.00	0.16	1410	47	NMRV-P030/063	NRV-P030/063
2398	1.5	750.00	0.14	1410	47	NMRV-P030/063	NRV-P030/063
2398	1.3	900.00	0.12	1410	47	NMRV-P030/063	NRV-P030/063
2398	1.0	1200.00	0.1	1410	47	NMRV-P030/063	NRV-P030/063
2398	0.8	1500.00	0.09	1410	47	NMRV-P030/063	NRV-P030/063
2398	0.6	1800.00	0.08	1410	47	NMRV-P030/063	NRV-P030/063
2259	0.5	2400.00	0.06	1410	47	NMRV-P030/063	NRV-P030/063
2089	0.4	3000.00	0.048	1410	47	NMRV-P030/063	NRV-P030/063
2089	0.3	4000.00	0.041	1410	47	NMRV-P030/063	NRV-P030/063
1328	0.2	5000.00	0.024	1410	47	NMRV-P030/063	NRV-P030/063
1213	11.4	100.00	0.33	854	79	NMRV040/050	NRV040/050
1195	7.6	150.00	0.23	978	79	NMRV040/050	NRV040/050

Maximum torque [in-lbs]	Output speed [rpm]	Exact ratio i	Maximum Power [HP]	OHL		Gear Reducer	
				Output shaft [lbs]	Input shaft [lbs]	Motorized Input	Shaft Input
1062	5.7	200.00	0.17	1076	79	NMRV040/050	NRV040/050
974	4.6	250.00	0.13	1088	79	NMRV040/050	NRV040/050
1283	3.8	300.00	0.15	1088	79	NMRV040/050	NRV040/050
1097	2.9	400.00	0.11	1088	79	NMRV040/050	NRV040/050
1213	2.3	500.00	0.09	854	79	NMRV040/050	NRV040/050
1283	1.9	600.00	0.08	1088	79	NMRV040/050	NRV040/050
1283	1.5	750.00	0.07	1088	79	NMRV040/050	NRV040/050
1195	1.3	900.00	0.06	978	79	NMRV040/050	NRV040/050
1283	1.0	1200.00	0.05	1088	79	NMRV040/050	NRV040/050
1283	0.8	1500.00	0.042	1088	79	NMRV040/050	NRV040/050
1283	0.6	1800.00	0.038	1088	79	NMRV040/050	NRV040/050
1097	0.5	2400.00	0.027	1088	79	NMRV040/050	NRV040/050
1062	0.4	3000.00	0.022	1088	79	NMRV040/050	NRV040/050
1062	0.3	4000.00	0.019	1088	79	NMRV040/050	NRV040/050
1062	0.2	5000.00	0.017	1088	79	NMRV040/050	NRV040/050
2277	11.4	100.00	0.62	1117	79	NMRV-P040/063	NRV-P040/063
2300	7.6	150.00	0.45	1278	79	NMRV-P040/063	NRV-P040/063
2239	5.7	200.00	0.34	1407	79	NMRV-P040/063	NRV-P040/063
2045	4.6	250.00	0.26	1410	79	NMRV-P040/063	NRV-P040/063
2398	3.8	300.00	0.28	1410	79	NMRV-P040/063	NRV-P040/063
2259	2.9	400.00	0.22	1410	79	NMRV-P040/063	NRV-P040/063
2045	2.3	500.00	0.14	1410	79	NMRV-P040/063	NRV-P040/063
2398	1.9	600.00	0.15	1410	79	NMRV-P040/063	NRV-P040/063
2398	1.5	750.00	0.13	1410	79	NMRV-P040/063	NRV-P040/063
2398	1.3	900.00	0.11	1410	79	NMRV-P040/063	NRV-P040/063
2398	1.0	1200.00	0.09	1410	79	NMRV-P040/063	NRV-P040/063
2398	0.8	1500.00	0.08	1410	79	NMRV-P040/063	NRV-P040/063
2398	0.6	1800.00	0.07	1410	79	NMRV-P040/063	NRV-P040/063
2259	0.5	2400.00	0.05	1410	79	NMRV-P040/063	NRV-P040/063
2089	0.4	3000.00	0.042	1410	79	NMRV-P040/063	NRV-P040/063
2089	0.3	4000.00	0.036	1410	79	NMRV-P040/063	NRV-P040/063
2089	0.2	5000.00	0.032	1410	79	NMRV-P040/063	NRV-P040/063
3257	11.4	100.00	0.88	1318	79	NMRV-P040/075	NRV-P040/075
3761	7.6	150.00	0.71	1509	79	NMRV-P040/075	NRV-P040/075
3715	5.7	200.00	0.56	1659	79	NMRV-P040/075	NRV-P040/075
3359	4.6	250.00	0.42	1659	79	NMRV-P040/075	NRV-P040/075
3929	3.8	300.00	0.44	1659	79	NMRV-P040/075	NRV-P040/075
3664	2.9	400.00	0.33	1659	79	NMRV-P040/075	NRV-P040/075
3257	2.3	500.00	0.26	1659	79	NMRV-P040/075	NRV-P040/075
3929	1.9	600.00	0.24	1659	79	NMRV-P040/075	NRV-P040/075
3929	1.5	750.00	0.2	1659	79	NMRV-P040/075	NRV-P040/075
3929	1.3	900.00	0.18	1659	79	NMRV-P040/075	NRV-P040/075
3929	1.0	1200.00	0.14	1659	79	NMRV-P040/075	NRV-P040/075

Maximum torque [in-lbs]	Output speed [rpm]	Exact ratio i	Maximum Power [HP]	OHL		Gear Reducer	
				Output shaft [lbs]	Input shaft [lbs]	Motorized Input	Shaft Input
3929	0.8	1500.00	0.12	1659	79	NMRV-P040/075	NRV-P040/075
3929	0.6	1800.00	0.11	1659	79	NMRV-P040/075	NRV-P040/075
3664	0.5	2400.00	0.08	1659	79	NMRV-P040/075	NRV-P040/075
3257	0.4	3000.00	0.06	1659	79	NMRV-P040/075	NRV-P040/075
3257	0.3	4000.00	0.05	1659	79	NMRV-P040/075	NRV-P040/075
3257	0.2	5000.00	0.047	1659	79	NMRV-P040/075	NRV-P040/075
3339	11.4	100.00	0.88	1458	79	NMRV-P040/090	NRV-P040/090
4763	7.6	150.00	0.88	1669	79	NMRV-P040/090	NRV-P040/090
5399	5.7	200.00	0.77	1838	79	NMRV-P040/090	NRV-P040/090
5045	4.6	250.00	0.6	1839	79	NMRV-P040/090	NRV-P040/090
6196	3.8	300.00	0.66	1839	79	NMRV-P040/090	NRV-P040/090
5399	2.9	400.00	0.47	1839	79	NMRV-P040/090	NRV-P040/090
4956	2.3	500.00	0.37	1839	79	NMRV-P040/090	NRV-P040/090
6196	1.9	600.00	0.36	1839	79	NMRV-P040/090	NRV-P040/090
6196	1.5	750.00	0.3	1839	79	NMRV-P040/090	NRV-P040/090
6196	1.3	900.00	0.27	1839	79	NMRV-P040/090	NRV-P040/090
6196	1.0	1200.00	0.21	1839	79	NMRV-P040/090	NRV-P040/090
6196	0.8	1500.00	0.18	1839	79	NMRV-P040/090	NRV-P040/090
6196	0.6	1800.00	0.16	1839	79	NMRV-P040/090	NRV-P040/090
5399	0.5	2400.00	0.12	1839	79	NMRV-P040/090	NRV-P040/090
4956	0.4	3000.00	0.09	1839	79	NMRV-P040/090	NRV-P040/090
4956	0.3	4000.00	0.08	1839	79	NMRV-P040/090	NRV-P040/090
4956	0.2	5000.00	0.07	1839	79	NMRV-P040/090	NRV-P040/090
5222	11.4	100.00	1.34	1458	110	NMRV-P050/090	NRV-P050/090
5841	7.6	150.00	1.05	1669	110	NMRV-P050/090	NRV-P050/090
5399	5.7	200.00	0.76	1838	110	NMRV-P050/090	NRV-P050/090
5045	4.6	250.00	0.59	1839	110	NMRV-P050/090	NRV-P050/090
6196	3.8	300.00	0.65	1839	110	NMRV-P050/090	NRV-P050/090
5399	2.9	400.00	0.46	1839	110	NMRV-P050/090	NRV-P050/090
5045	2.3	500.00	0.32	1839	110	NMRV-P050/090	NRV-P050/090
6196	1.9	600.00	0.35	1839	110	NMRV-P050/090	NRV-P050/090
6196	1.5	750.00	0.29	1839	110	NMRV-P050/090	NRV-P050/090
6196	1.3	900.00	0.26	1839	110	NMRV-P050/090	NRV-P050/090
6196	1.0	1200.00	0.21	1839	110	NMRV-P050/090	NRV-P050/090
6196	0.8	1500.00	0.18	1839	110	NMRV-P050/090	NRV-P050/090
6196	0.6	1800.00	0.16	1839	110	NMRV-P050/090	NRV-P050/090
5399	0.5	2400.00	0.11	1839	110	NMRV-P050/090	NRV-P050/090
4956	0.4	3000.00	0.09	1839	110	NMRV-P050/090	NRV-P050/090
4956	0.3	4000.00	0.07	1839	110	NMRV-P050/090	NRV-P050/090
4956	0.2	5000.00	0.06	1839	110	NMRV-P050/090	NRV-P050/090
6209	11.4	100.00	1.59	1843	110	NMRV-P050/110	NRV-P050/110
8973	7.6	150.00	1.59	2110	110	NMRV-P050/110	NRV-P050/110
10081	5.7	200.00	1.38	2320	110	NMRV-P050/110	NRV-P050/110



Maximum torque [in-lbs]	Output speed [rpm]	Exact ratio i	Maximum Power [HP]	OHL		Gear Reducer	
				Output shaft [lbs]	Input shaft [lbs]	Motorized Input	Shaft Input
10382	4.6	250.00	1.16	2320	110	NMRV-P050/110	NRV-P050/110
11196	3.8	300.00	1.17	2320	110	NMRV-P050/110	NRV-P050/110
10488	2.9	400.00	0.85	2320	110	NMRV-P050/110	NRV-P050/110
10382	2.3	500.00	0.63	2320	110	NMRV-P050/110	NRV-P050/110
11196	1.9	600.00	0.64	2320	110	NMRV-P050/110	NRV-P050/110
11196	1.5	750.00	0.53	2320	110	NMRV-P050/110	NRV-P050/110
11196	1.3	900.00	0.47	2320	110	NMRV-P050/110	NRV-P050/110
11196	1.0	1200.00	0.38	2320	110	NMRV-P050/110	NRV-P050/110
11196	0.8	1500.00	0.32	2320	110	NMRV-P050/110	NRV-P050/110
11196	0.6	1800.00	0.29	2320	110	NMRV-P050/110	NRV-P050/110
10488	0.5	2400.00	0.21	2320	110	NMRV-P050/110	NRV-P050/110
9736	0.4	3000.00	0.16	2320	110	NMRV-P050/110	NRV-P050/110
9736	0.3	4000.00	0.14	2320	110	NMRV-P050/110	NRV-P050/110
9736	0.2	5000.00	0.12	2320	110	NMRV-P050/110	NRV-P050/110
9975	11.4	100.00	2.55	1843	150	NMRV-P063/110	NRV-P063/110
10585	7.6	150.00	1.87	2110	150	NMRV-P063/110	NRV-P063/110
10081	5.7	200.00	1.37	2320	150	NMRV-P063/110	NRV-P063/110
10382	4.6	250.00	1.16	2320	150	NMRV-P063/110	NRV-P063/110
11196	3.8	300.00	1.17	2320	150	NMRV-P063/110	NRV-P063/110
10488	2.9	400.00	0.85	2320	150	NMRV-P063/110	NRV-P063/110
10382	2.3	500.00	0.62	2320	157	NMRV-P063/110	NRV-P063/110
11196	1.9	600.00	0.63	2320	157	NMRV-P063/110	NRV-P063/110
11196	1.5	750.00	0.52	2320	157	NMRV-P063/110	NRV-P063/110
11196	1.3	900.00	0.46	2320	157	NMRV-P063/110	NRV-P063/110
11196	1.0	1200.00	0.37	2320	157	NMRV-P063/110	NRV-P063/110
11196	0.8	1500.00	0.31	2320	157	NMRV-P063/110	NRV-P063/110
11196	0.6	1800.00	0.27	2320	157	NMRV-P063/110	NRV-P063/110
10488	0.5	2400.00	0.2	2320	157	NMRV-P063/110	NRV-P063/110
9736	0.4	3000.00	0.15	2320	157	NMRV-P063/110	NRV-P063/110
9736	0.3	4000.00	0.13	2320	157	NMRV-P063/110	NRV-P063/110
9736	0.2	5000.00	0.11	2320	157	NMRV-P063/110	NRV-P063/110
10471	11.4	100.00	2.65	2410	150	NMRV-P063/130	NRV-P063/130
14760	7.6	150.00	2.65	2759	150	NMRV-P063/130	NRV-P063/130
14161	5.7	200.00	1.93	3035	150	NMRV-P063/130	NRV-P063/130
13542	4.6	250.00	1.52	3035	150	NMRV-P063/130	NRV-P063/130
15577	3.8	300.00	1.6	3035	150	NMRV-P063/130	NRV-P063/130
14604	2.9	400.00	1.18	3035	150	NMRV-P063/130	NRV-P063/130
13719	2.3	500.00	0.93	3035	150	NMRV-P063/130	NRV-P063/130
15577	1.9	600.00	0.86	3035	157	NMRV-P063/130	NRV-P063/130
15577	1.5	750.00	0.71	3035	157	NMRV-P063/130	NRV-P063/130
15577	1.3	900.00	0.63	3035	157	NMRV-P063/130	NRV-P063/130
15577	1.0	1200.00	0.5	3035	157	NMRV-P063/130	NRV-P063/130
15577	0.8	1500.00	0.42	3035	157	NMRV-P063/130	NRV-P063/130

Maximum torque [in-lbs]	Output speed [rpm]	Exact ratio i	Maximum Power [HP]	OHL		Gear Reducer	
				Output shaft [lbs]	Input shaft [lbs]	Motorized Input	Shaft Input
15577	0.6	1800.00	0.37	3035	157	NMRV-P063/130	NRV-P063/130
14604	0.5	2400.00	0.28	3035	157	NMRV-P063/130	NRV-P063/130
13719	0.4	3000.00	0.22	3035	157	NMRV-P063/130	NRV-P063/130
13719	0.3	4000.00	0.18	3035	157	NMRV-P063/130	NRV-P063/130
13719	0.2	5000.00	0.16	3035	157	NMRV-P063/130	NRV-P063/130
19009	7.6	150.00	3.36	4047	130	NMRV-P063/150	NRV-P063/150
19428	5.7	200.00	2.65	4047	150	NMRV-P063/150	NRV-P063/150
18144	4.6	250.00	2.03	4047	150	NMRV-P063/150	NRV-P063/150
20711	3.8	300.00	1.95	4047	157	NMRV-P063/150	NRV-P063/150
23631	2.9	400.00	1.88	4047	150	NMRV-P063/150	NRV-P063/150
20622	2.3	500.00	1.4	4047	150	NMRV-P063/150	NRV-P063/150
23631	1.9	600.00	1.3	4047	157	NMRV-P063/150	NRV-P063/150
20622	1.5	750.00	0.96	4047	157	NMRV-P063/150	NRV-P063/150
18587	1.3	900.00	0.7	4047	157	NMRV-P063/150	NRV-P063/150
23631	1.0	1200.00	0.74	4047	157	NMRV-P063/150	NRV-P063/150
20622	0.8	1500.00	0.55	4047	157	NMRV-P063/150	NRV-P063/150
18587	0.6	1800.00	0.42	4047	157	NMRV-P063/150	NRV-P063/150
23631	0.5	2400.00	0.44	4047	157	NMRV-P063/150	NRV-P063/150
20622	0.4	3000.00	0.33	4047	157	NMRV-P063/150	NRV-P063/150
20622	0.3	4000.00	0.27	4047	157	NMRV-P063/150	NRV-P063/150
20622	0.2	5000.00	0.24	4047	157	NMRV-P063/150	NRV-P063/150

Maximum torque [in-lbs]	Output speed [rpm]	Exact ratio i	Maximum Power [HP]	OHL		Gear Reducer	
				Output shaft [lbs]	Input shaft [lbs]	Motorized Input	Shaft Input
283	17.5	100.00	0.13	323	-	NMRV025/030	-
248	11.7	150.00	0.09	407	-	NMRV025/030	-
248	8.8	200.00	0.07	407	-	NMRV025/030	-
301	7.0	250.00	0.07	411	-	NMRV025/030	-
274	5.8	300.00	0.06	411	-	NMRV025/030	-
248	4.4	400.00	0.036	407	-	NMRV025/030	-
301	3.5	500.00	0.041	411	-	NMRV025/030	-
274	2.9	600.00	0.032	411	-	NMRV025/030	-
301	2.3	750.00	0.03	411	-	NMRV025/030	-
204	1.9	900.00	0.02	411	-	NMRV025/030	-
248	1.5	1200.00	0.018	411	-	NMRV025/030	-
230	1.2	1500.00	0.015	411	-	NMRV025/030	-
274	1.0	1800.00	0.015	411	-	NMRV025/030	-
248	0.7	2400.00	0.011	411	-	NMRV025/030	-
230	0.6	3000.00	0.009	411	-	NMRV025/030	-
177	0.4	4000.00	0.006	411	-	NMRV025/030	-
628	17.5	100.00	0.27	622	-	NMRV025/040	-
575	11.7	150.00	0.18	784	-	NMRV025/040	-
575	8.8	200.00	0.14	784	-	NMRV025/040	-
540	7.0	250.00	0.11	785	-	NMRV025/040	-
646	5.8	300.00	0.12	785	-	NMRV025/040	-
575	4.4	400.00	0.08	784	-	NMRV025/040	-
540	3.5	500.00	0.06	785	-	NMRV025/040	-
646	2.9	600.00	0.07	785	-	NMRV025/040	-
540	2.3	750.00	0.046	785	-	NMRV025/040	-
646	1.9	900.00	0.05	785	-	NMRV025/040	-
575	1.5	1200.00	0.037	785	-	NMRV025/040	-
531	1.2	1500.00	0.03	785	-	NMRV025/040	-
646	1.0	1800.00	0.031	785	-	NMRV025/040	-
575	0.7	2400.00	0.023	785	-	NMRV025/040	-
531	0.6	3000.00	0.018	785	-	NMRV025/040	-
425	0.4	4000.00	0.013	785	-	NMRV025/040	-
381	0.4	5000.00	0.01	785	-	NMRV025/040	-
628	17.5	100.00	0.27	622	38	NMRV030/040	NRV030/040
637	11.7	150.00	0.19	713	38	NMRV030/040	NRV030/040
575	8.8	200.00	0.14	784	38	NMRV030/040	NRV030/040
540	7.0	250.00	0.11	785	38	NMRV030/040	NRV030/040
646	5.8	300.00	0.12	785	38	NMRV030/040	NRV030/040
575	4.4	400.00	0.09	785	38	NMRV030/040	NRV030/040
540	3.5	500.00	0.06	785	40	NMRV030/040	NRV030/040
646	2.9	600.00	0.07	785	40	NMRV030/040	NRV030/040
646	2.3	750.00	0.06	785	47	NMRV030/040	NRV030/040
646	1.9	900.00	0.05	785	47	NMRV030/040	NRV030/040

Maximum torque [in-lbs]	Output speed [rpm]	Exact ratio i	Maximum Power [HP]	OHL		Gear Reducer	
				Output shaft [lbs]	Input shaft [lbs]	Motorized Input	Shaft Input
646	1.5	1200.00	0.042	785	47	NMRV030/040	NRV030/040
646	1.2	1500.00	0.036	785	47	NMRV030/040	NRV030/040
646	1.0	1800.00	0.032	785	47	NMRV030/040	NRV030/040
575	0.7	2400.00	0.024	785	47	NMRV030/040	NRV030/040
531	0.6	3000.00	0.019	785	47	NMRV030/040	NRV030/040
425	0.4	4000.00	0.013	785	47	NMRV030/040	NRV030/040
381	0.4	5000.00	0.011	785	47	NMRV030/040	NRV030/040
1213	17.5	100.00	0.51	854	38	NMRV030/050	NRV030/050
1195	11.7	150.00	0.37	978	38	NMRV030/050	NRV030/050
1062	8.8	200.00	0.26	1076	38	NMRV030/050	NRV030/050
974	7.0	250.00	0.2	1088	38	NMRV030/050	NRV030/050
1283	5.8	300.00	0.24	1088	38	NMRV030/050	NRV030/050
1097	4.4	400.00	0.17	1088	38	NMRV030/050	NRV030/050
1062	3.5	500.00	0.14	1088	38	NMRV030/050	NRV030/050
1283	2.9	600.00	0.13	1088	40	NMRV030/050	NRV030/050
1283	2.3	750.00	0.11	1088	47	NMRV030/050	NRV030/050
1283	1.9	900.00	0.1	1088	47	NMRV030/050	NRV030/050
1283	1.5	1200.00	0.08	1088	47	NMRV030/050	NRV030/050
1283	1.2	1500.00	0.07	1088	47	NMRV030/050	NRV030/050
1283	1.0	1800.00	0.06	1088	47	NMRV030/050	NRV030/050
1097	0.7	2400.00	0.045	1088	47	NMRV030/050	NRV030/050
1062	0.6	3000.00	0.038	1088	47	NMRV030/050	NRV030/050
726	0.4	4000.00	0.022	1088	47	NMRV030/050	NRV030/050
699	0.4	5000.00	0.019	1088	47	NMRV030/050	NRV030/050
1264	17.5	100.00	0.54	1117	38	NMRV-P030/063	NRV-P030/063
1777	11.7	150.00	0.54	1278	38	NMRV-P030/063	NRV-P030/063
2239	8.8	200.00	0.54	1407	38	NMRV-P030/063	NRV-P030/063
2045	7.0	250.00	0.41	1410	38	NMRV-P030/063	NRV-P030/063
2259	5.8	300.00	0.44	1410	34	NMRV-P030/063	NRV-P030/063
2259	4.4	400.00	0.34	1410	38	NMRV-P030/063	NRV-P030/063
2089	3.5	500.00	0.27	1410	38	NMRV-P030/063	NRV-P030/063
2398	2.9	600.00	0.25	1410	40	NMRV-P030/063	NRV-P030/063
2398	2.3	750.00	0.21	1410	47	NMRV-P030/063	NRV-P030/063
2398	1.9	900.00	0.18	1410	47	NMRV-P030/063	NRV-P030/063
2398	1.5	1200.00	0.15	1410	47	NMRV-P030/063	NRV-P030/063
2398	1.2	1500.00	0.13	1410	47	NMRV-P030/063	NRV-P030/063
2398	1.0	1800.00	0.12	1410	47	NMRV-P030/063	NRV-P030/063
2259	0.7	2400.00	0.09	1410	47	NMRV-P030/063	NRV-P030/063
2089	0.6	3000.00	0.07	1410	47	NMRV-P030/063	NRV-P030/063
2089	0.4	4000.00	0.06	1410	47	NMRV-P030/063	NRV-P030/063
1328	0.4	5000.00	0.036	1410	47	NMRV-P030/063	NRV-P030/063
1213	17.5	100.00	0.5	854	77	NMRV040/050	NRV040/050
1195	11.7	150.00	0.36	978	77	NMRV040/050	NRV040/050

Maximum torque [in-lbs]	Output speed [rpm]	Exact ratio i	Maximum Power [HP]	OHL		Gear Reducer	
				Output shaft [lbs]	Input shaft [lbs]	Motorized Input	Shaft Input
1062	8.8	200.00	0.25	1076	77	NMRV040/050	NRV040/050
974	7.0	250.00	0.2	1088	77	NMRV040/050	NRV040/050
1283	5.8	300.00	0.23	1088	77	NMRV040/050	NRV040/050
1097	4.4	400.00	0.17	1088	77	NMRV040/050	NRV040/050
1213	3.5	500.00	0.14	854	79	NMRV040/050	NRV040/050
1283	2.9	600.00	0.13	1088	79	NMRV040/050	NRV040/050
1283	2.3	750.00	0.1	1088	79	NMRV040/050	NRV040/050
1195	1.9	900.00	0.09	978	79	NMRV040/050	NRV040/050
1283	1.5	1200.00	0.07	1088	79	NMRV040/050	NRV040/050
1283	1.2	1500.00	0.06	1088	79	NMRV040/050	NRV040/050
1283	1.0	1800.00	0.06	1088	79	NMRV040/050	NRV040/050
1097	0.7	2400.00	0.04	1088	79	NMRV040/050	NRV040/050
1062	0.6	3000.00	0.033	1088	79	NMRV040/050	NRV040/050
1062	0.4	4000.00	0.028	1088	79	NMRV040/050	NRV040/050
1062	0.4	5000.00	0.025	1088	79	NMRV040/050	NRV040/050
2277	17.5	100.00	0.94	1117	77	NMRV-P040/063	NRV-P040/063
2300	11.7	150.00	0.68	1278	77	NMRV-P040/063	NRV-P040/063
2239	8.8	200.00	0.52	1407	77	NMRV-P040/063	NRV-P040/063
2045	7.0	250.00	0.4	1410	77	NMRV-P040/063	NRV-P040/063
2398	5.8	300.00	0.43	1410	77	NMRV-P040/063	NRV-P040/063
2259	4.4	400.00	0.33	1410	77	NMRV-P040/063	NRV-P040/063
2045	3.5	500.00	0.21	1410	79	NMRV-P040/063	NRV-P040/063
2398	2.9	600.00	0.23	1410	79	NMRV-P040/063	NRV-P040/063
2398	2.3	750.00	0.19	1410	79	NMRV-P040/063	NRV-P040/063
2398	1.9	900.00	0.17	1410	79	NMRV-P040/063	NRV-P040/063
2398	1.5	1200.00	0.14	1410	79	NMRV-P040/063	NRV-P040/063
2398	1.2	1500.00	0.12	1410	79	NMRV-P040/063	NRV-P040/063
2398	1.0	1800.00	0.1	1410	79	NMRV-P040/063	NRV-P040/063
2259	0.7	2400.00	0.08	1410	79	NMRV-P040/063	NRV-P040/063
2089	0.6	3000.00	0.06	1410	79	NMRV-P040/063	NRV-P040/063
2089	0.4	4000.00	0.05	1410	79	NMRV-P040/063	NRV-P040/063
2089	0.4	5000.00	0.046	1410	79	NMRV-P040/063	NRV-P040/063
2961	17.5	100.00	1.21	1318	77	NMRV-P040/075	NRV-P040/075
3761	11.7	150.00	1.08	1509	77	NMRV-P040/075	NRV-P040/075
3715	8.8	200.00	0.84	1659	77	NMRV-P040/075	NRV-P040/075
3359	7.0	250.00	0.64	1659	77	NMRV-P040/075	NRV-P040/075
3929	5.8	300.00	0.67	1659	77	NMRV-P040/075	NRV-P040/075
3664	4.4	400.00	0.51	1659	77	NMRV-P040/075	NRV-P040/075
3257	3.5	500.00	0.39	1659	77	NMRV-P040/075	NRV-P040/075
3929	2.9	600.00	0.36	1659	79	NMRV-P040/075	NRV-P040/075
3929	2.3	750.00	0.3	1659	79	NMRV-P040/075	NRV-P040/075
3929	1.9	900.00	0.27	1659	79	NMRV-P040/075	NRV-P040/075
3929	1.5	1200.00	0.22	1659	79	NMRV-P040/075	NRV-P040/075

Maximum torque [in-lbs]	Output speed [rpm]	Exact ratio i	Maximum Power [HP]	OHL		Gear Reducer	
				Output shaft [lbs]	Input shaft [lbs]	Motorized Input	Shaft Input
3929	1.2	1500.00	0.18	1659	79	NMRV-P040/075	NRV-P040/075
3929	1.0	1800.00	0.16	1659	79	NMRV-P040/075	NRV-P040/075
3664	0.7	2400.00	0.12	1659	79	NMRV-P040/075	NRV-P040/075
3257	0.6	3000.00	0.09	1659	79	NMRV-P040/075	NRV-P040/075
3257	0.4	4000.00	0.08	1659	79	NMRV-P040/075	NRV-P040/075
3257	0.4	5000.00	0.07	1659	79	NMRV-P040/075	NRV-P040/075
3035	17.5	100.00	1.21	1458	77	NMRV-P040/090	NRV-P040/090
4330	11.7	150.00	1.21	1669	77	NMRV-P040/090	NRV-P040/090
5399	8.8	200.00	1.18	1838	77	NMRV-P040/090	NRV-P040/090
5045	7.0	250.00	0.92	1839	77	NMRV-P040/090	NRV-P040/090
6196	5.8	300.00	1.01	1839	77	NMRV-P040/090	NRV-P040/090
5399	4.4	400.00	0.71	1839	77	NMRV-P040/090	NRV-P040/090
4956	3.5	500.00	0.56	1839	77	NMRV-P040/090	NRV-P040/090
6196	2.9	600.00	0.54	1839	79	NMRV-P040/090	NRV-P040/090
6196	2.3	750.00	0.45	1839	79	NMRV-P040/090	NRV-P040/090
6196	1.9	900.00	0.4	1839	79	NMRV-P040/090	NRV-P040/090
6196	1.5	1200.00	0.32	1839	79	NMRV-P040/090	NRV-P040/090
6196	1.2	1500.00	0.27	1839	79	NMRV-P040/090	NRV-P040/090
6196	1.0	1800.00	0.24	1839	79	NMRV-P040/090	NRV-P040/090
5399	0.7	2400.00	0.17	1839	79	NMRV-P040/090	NRV-P040/090
4956	0.6	3000.00	0.13	1839	79	NMRV-P040/090	NRV-P040/090
4956	0.4	4000.00	0.11	1839	79	NMRV-P040/090	NRV-P040/090
4956	0.4	5000.00	0.1	1839	79	NMRV-P040/090	NRV-P040/090
5222	17.5	100.00	2.03	1458	110	NMRV-P050/090	NRV-P050/090
5841	11.7	150.00	1.59	1669	110	NMRV-P050/090	NRV-P050/090
5399	8.8	200.00	1.15	1838	110	NMRV-P050/090	NRV-P050/090
5045	7.0	250.00	0.89	1839	110	NMRV-P050/090	NRV-P050/090
6196	5.8	300.00	0.98	1839	110	NMRV-P050/090	NRV-P050/090
5399	4.4	400.00	0.69	1839	110	NMRV-P050/090	NRV-P050/090
5045	3.5	500.00	0.49	1839	110	NMRV-P050/090	NRV-P050/090
6196	2.9	600.00	0.53	1839	110	NMRV-P050/090	NRV-P050/090
6196	2.3	750.00	0.44	1839	110	NMRV-P050/090	NRV-P050/090
6196	1.9	900.00	0.39	1839	110	NMRV-P050/090	NRV-P050/090
6196	1.5	1200.00	0.31	1839	110	NMRV-P050/090	NRV-P050/090
6196	1.2	1500.00	0.27	1839	110	NMRV-P050/090	NRV-P050/090
6196	1.0	1800.00	0.24	1839	110	NMRV-P050/090	NRV-P050/090
5399	0.7	2400.00	0.17	1839	110	NMRV-P050/090	NRV-P050/090
4956	0.6	3000.00	0.13	1839	110	NMRV-P050/090	NRV-P050/090
4956	0.4	4000.00	0.11	1839	110	NMRV-P050/090	NRV-P050/090
4956	0.4	5000.00	0.09	1839	110	NMRV-P050/090	NRV-P050/090
5446	17.5	100.00	2.12	1843	110	NMRV-P050/110	NRV-P050/110
7871	11.7	150.00	2.12	2110	110	NMRV-P050/110	NRV-P050/110
10081	8.8	200.00	2.09	2320	110	NMRV-P050/110	NRV-P050/110

Maximum torque [in-lbs]	Output speed [rpm]	Exact ratio i	Maximum Power [HP]	OHL		Gear Reducer	
				Output shaft [lbs]	Input shaft [lbs]	Motorized Input	Shaft Input
10382	7.0	250.00	1.77	2320	110	NMRV-P050/110	NRV-P050/110
11196	5.8	300.00	1.78	2320	110	NMRV-P050/110	NRV-P050/110
10488	4.4	400.00	1.29	2320	110	NMRV-P050/110	NRV-P050/110
10382	3.5	500.00	0.96	2320	110	NMRV-P050/110	NRV-P050/110
11196	2.9	600.00	0.97	2320	110	NMRV-P050/110	NRV-P050/110
11196	2.3	750.00	0.8	2320	110	NMRV-P050/110	NRV-P050/110
11196	1.9	900.00	0.71	2320	110	NMRV-P050/110	NRV-P050/110
11196	1.5	1200.00	0.57	2320	110	NMRV-P050/110	NRV-P050/110
11196	1.2	1500.00	0.48	2320	110	NMRV-P050/110	NRV-P050/110
11196	1.0	1800.00	0.43	2320	110	NMRV-P050/110	NRV-P050/110
10488	0.7	2400.00	0.31	2320	110	NMRV-P050/110	NRV-P050/110
9736	0.6	3000.00	0.24	2320	110	NMRV-P050/110	NRV-P050/110
9736	0.4	4000.00	0.2	2320	110	NMRV-P050/110	NRV-P050/110
9736	0.4	5000.00	0.17	2320	110	NMRV-P050/110	NRV-P050/110
9090	17.5	100.00	3.52	1843	130	NMRV-P063/110	NRV-P063/110
10585	11.7	150.00	2.84	2110	130	NMRV-P063/110	NRV-P063/110
10081	8.8	200.00	2.08	2320	130	NMRV-P063/110	NRV-P063/110
10382	7.0	250.00	1.76	2320	130	NMRV-P063/110	NRV-P063/110
11196	5.8	300.00	1.77	2320	130	NMRV-P063/110	NRV-P063/110
10488	4.4	400.00	1.28	2320	130	NMRV-P063/110	NRV-P063/110
10382	3.5	500.00	0.93	2320	157	NMRV-P063/110	NRV-P063/110
11196	2.9	600.00	0.94	2320	157	NMRV-P063/110	NRV-P063/110
11196	2.3	750.00	0.77	2320	157	NMRV-P063/110	NRV-P063/110
11196	1.9	900.00	0.68	2320	157	NMRV-P063/110	NRV-P063/110
11196	1.5	1200.00	0.54	2320	157	NMRV-P063/110	NRV-P063/110
11196	1.2	1500.00	0.45	2320	157	NMRV-P063/110	NRV-P063/110
11196	1.0	1800.00	0.4	2320	157	NMRV-P063/110	NRV-P063/110
10488	0.7	2400.00	0.29	2320	157	NMRV-P063/110	NRV-P063/110
9736	0.6	3000.00	0.23	2320	157	NMRV-P063/110	NRV-P063/110
9736	0.4	4000.00	0.18	2320	157	NMRV-P063/110	NRV-P063/110
9736	0.4	5000.00	0.16	2320	157	NMRV-P063/110	NRV-P063/110
9201	17.5	100.00	3.52	2410	130	NMRV-P063/130	NRV-P063/130
12969	11.7	150.00	3.52	2759	130	NMRV-P063/130	NRV-P063/130
14161	8.8	200.00	2.92	3035	130	NMRV-P063/130	NRV-P063/130
13542	7.0	250.00	2.29	3035	130	NMRV-P063/130	NRV-P063/130
15577	5.8	300.00	2.42	3035	130	NMRV-P063/130	NRV-P063/130
14604	4.4	400.00	1.78	3035	130	NMRV-P063/130	NRV-P063/130
13719	3.5	500.00	1.41	3035	130	NMRV-P063/130	NRV-P063/130
15577	2.9	600.00	1.28	3035	157	NMRV-P063/130	NRV-P063/130
15577	2.3	750.00	1.06	3035	157	NMRV-P063/130	NRV-P063/130
15577	1.9	900.00	0.93	3035	157	NMRV-P063/130	NRV-P063/130
15577	1.5	1200.00	0.74	3035	157	NMRV-P063/130	NRV-P063/130
15577	1.2	1500.00	0.62	3035	157	NMRV-P063/130	NRV-P063/130

Maximum torque [in-lbs]	Output speed [rpm]	Exact ratio i	Maximum Power [HP]	OHL		Gear Reducer	
				Output shaft [lbs]	Input shaft [lbs]	Motorized Input	Shaft Input
15577	1.0	1800.00	0.55	3035	157	NMRV-PO63/130	NRV-PO63/130
14604	0.7	2400.00	0.4	3035	157	NMRV-PO63/130	NRV-PO63/130
13719	0.6	3000.00	0.32	3035	157	NMRV-PO63/130	NRV-PO63/130
13719	0.4	4000.00	0.26	3035	157	NMRV-PO63/130	NRV-PO63/130
13719	0.4	5000.00	0.23	3035	157	NMRV-PO63/130	NRV-PO63/130
16575	11.7	150.00	4.46	4047	112	NMRV-PO63/150	NRV-PO63/150
17071	8.8	200.00	3.52	4047	130	NMRV-PO63/150	NRV-PO63/150
18144	7.0	250.00	3.07	4047	130	NMRV-PO63/150	NRV-PO63/150
19038	5.8	300.00	2.7	4047	145	NMRV-PO63/150	NRV-PO63/150
23631	4.4	400.00	2.84	4047	130	NMRV-PO63/150	NRV-PO63/150
20622	3.5	500.00	2.11	4047	130	NMRV-PO63/150	NRV-PO63/150
23631	2.9	600.00	1.96	4047	145	NMRV-PO63/150	NRV-PO63/150
20622	2.3	750.00	1.45	4047	145	NMRV-PO63/150	NRV-PO63/150
18587	1.9	900.00	1.04	4047	157	NMRV-PO63/150	NRV-PO63/150
23631	1.5	1200.00	1.09	4047	157	NMRV-PO63/150	NRV-PO63/150
20622	1.2	1500.00	0.81	4047	157	NMRV-PO63/150	NRV-PO63/150
18587	1.0	1800.00	0.61	4047	157	NMRV-PO63/150	NRV-PO63/150
23631	0.7	2400.00	0.64	4047	157	NMRV-PO63/150	NRV-PO63/150
20622	0.6	3000.00	0.48	4047	157	NMRV-PO63/150	NRV-PO63/150
20622	0.4	4000.00	0.39	4047	157	NMRV-PO63/150	NRV-PO63/150
20622	0.4	5000.00	0.35	4047	157	NMRV-PO63/150	NRV-PO63/150



Maximum torque [in-lbs]	Output speed [rpm]	Exact ratio i	Maximum Power [HP]	OHL		Gear Reducer	
				Output shaft [lbs]	Input shaft [lbs]	Motorized Input	Shaft Input
283	35.0	100.00	0.24	323	-	NMRV025/030	-
248	23.3	150.00	0.17	407	-	NMRV025/030	-
248	17.5	200.00	0.13	407	-	NMRV025/030	-
301	14.0	250.00	0.14	411	-	NMRV025/030	-
274	11.7	300.00	0.11	411	-	NMRV025/030	-
248	8.8	400.00	0.07	407	-	NMRV025/030	-
301	7.0	500.00	0.08	411	-	NMRV025/030	-
274	5.8	600.00	0.06	411	-	NMRV025/030	-
301	4.7	750.00	0.06	411	-	NMRV025/030	-
204	3.9	900.00	0.039	411	-	NMRV025/030	-
248	2.9	1200.00	0.033	411	-	NMRV025/030	-
230	2.3	1500.00	0.027	411	-	NMRV025/030	-
274	1.9	1800.00	0.026	411	-	NMRV025/030	-
248	1.5	2400.00	0.02	411	-	NMRV025/030	-
230	1.2	3000.00	0.016	411	-	NMRV025/030	-
177	0.9	4000.00	0.012	411	-	NMRV025/030	-
583	35.0	100.00	0.49	622	-	NMRV025/040	-
575	23.3	150.00	0.35	784	-	NMRV025/040	-
575	17.5	200.00	0.27	784	-	NMRV025/040	-
540	14.0	250.00	0.21	785	-	NMRV025/040	-
646	11.7	300.00	0.24	785	-	NMRV025/040	-
575	8.8	400.00	0.15	784	-	NMRV025/040	-
540	7.0	500.00	0.12	785	-	NMRV025/040	-
646	5.8	600.00	0.13	785	-	NMRV025/040	-
540	4.7	750.00	0.08	785	-	NMRV025/040	-
646	3.9	900.00	0.09	785	-	NMRV025/040	-
575	2.9	1200.00	0.07	785	-	NMRV025/040	-
531	2.3	1500.00	0.05	785	-	NMRV025/040	-
646	1.9	1800.00	0.06	785	-	NMRV025/040	-
575	1.5	2400.00	0.041	785	-	NMRV025/040	-
531	1.2	3000.00	0.033	785	-	NMRV025/040	-
425	0.9	4000.00	0.023	785	-	NMRV025/040	-
381	0.7	5000.00	0.019	785	-	NMRV025/040	-
628	35.0	100.00	0.53	622	31	NMRV030/040	NRV030/040
637	23.3	150.00	0.38	713	31	NMRV030/040	NRV030/040
575	17.5	200.00	0.27	784	31	NMRV030/040	NRV030/040
540	14.0	250.00	0.21	785	31	NMRV030/040	NRV030/040
646	11.7	300.00	0.24	785	31	NMRV030/040	NRV030/040
575	8.8	400.00	0.18	785	31	NMRV030/040	NRV030/040
540	7.0	500.00	0.12	785	33	NMRV030/040	NRV030/040
646	5.8	600.00	0.13	785	33	NMRV030/040	NRV030/040
646	4.7	750.00	0.11	785	47	NMRV030/040	NRV030/040
646	3.9	900.00	0.09	785	47	NMRV030/040	NRV030/040

Maximum torque [in-lbs]	Output speed [rpm]	Exact ratio i	Maximum Power [HP]	OHL		Gear Reducer	
				Output shaft [lbs]	Input shaft [lbs]	Motorized Input	Shaft Input
646	2.9	1200.00	0.08	785	29	NMRV030/040	NRV030/040
646	2.3	1500.00	0.06	785	29	NMRV030/040	NRV030/040
646	1.9	1800.00	0.06	785	28	NMRV030/040	NRV030/040
575	1.5	2400.00	0.043	785	28	NMRV030/040	NRV030/040
531	1.2	3000.00	0.034	785	28	NMRV030/040	NRV030/040
425	0.9	4000.00	0.023	785	29	NMRV030/040	NRV030/040
381	0.7	5000.00	0.019	785	29	NMRV030/040	NRV030/040
861	35.0	100.00	0.7	854	31	NMRV030/050	NRV030/050
1194	23.3	150.00	0.7	978	31	NMRV030/050	NRV030/050
1062	17.5	200.00	0.5	1076	31	NMRV030/050	NRV030/050
974	14.0	250.00	0.39	1088	31	NMRV030/050	NRV030/050
1283	11.7	300.00	0.46	1088	31	NMRV030/050	NRV030/050
1097	8.8	400.00	0.33	1088	31	NMRV030/050	NRV030/050
1062	7.0	500.00	0.27	1088	31	NMRV030/050	NRV030/050
1283	5.8	600.00	0.25	1088	33	NMRV030/050	NRV030/050
1283	4.7	750.00	0.21	1088	47	NMRV030/050	NRV030/050
1283	3.9	900.00	0.18	1088	47	NMRV030/050	NRV030/050
1283	2.9	1200.00	0.15	1088	29	NMRV030/050	NRV030/050
1283	2.3	1500.00	0.13	1088	29	NMRV030/050	NRV030/050
1283	1.9	1800.00	0.11	1088	28	NMRV030/050	NRV030/050
1097	1.5	2400.00	0.08	1088	28	NMRV030/050	NRV030/050
1062	1.2	3000.00	0.07	1088	28	NMRV030/050	NRV030/050
726	0.9	4000.00	0.04	1088	29	NMRV030/050	NRV030/050
699	0.7	5000.00	0.034	1088	29	NMRV030/050	NRV030/050
861	35.0	100.00	0.7	1117	31	NMRV-P030/063	NRV-P030/063
1210	23.3	150.00	0.7	1278	31	NMRV-P030/063	NRV-P030/063
1526	17.5	200.00	0.7	1407	31	NMRV-P030/063	NRV-P030/063
1826	14.0	250.00	0.7	1410	31	NMRV-P030/063	NRV-P030/063
2259	11.7	300.00	0.86	1410	28	NMRV-P030/063	NRV-P030/063
2259	8.8	400.00	0.65	1410	31	NMRV-P030/063	NRV-P030/063
2089	7.0	500.00	0.52	1410	31	NMRV-P030/063	NRV-P030/063
1849	5.8	600.00	0.36	1410	33	NMRV-P030/063	NRV-P030/063
2398	4.7	750.00	0.39	1410	47	NMRV-P030/063	NRV-P030/063
2306	3.9	900.00	0.32	1410	47	NMRV-P030/063	NRV-P030/063
2160	2.9	1200.00	0.24	1410	29	NMRV-P030/063	NRV-P030/063
1995	2.3	1500.00	0.19	1410	29	NMRV-P030/063	NRV-P030/063
1849	1.9	1800.00	0.16	1410	28	NMRV-P030/063	NRV-P030/063
2259	1.5	2400.00	0.16	1410	28	NMRV-P030/063	NRV-P030/063
2089	1.2	3000.00	0.13	1410	28	NMRV-P030/063	NRV-P030/063
2089	0.9	4000.00	0.11	1410	29	NMRV-P030/063	NRV-P030/063
1328	0.7	5000.00	0.06	1410	29	NMRV-P030/063	NRV-P030/063
1213	35.0	100.00	0.97	854	61	NMRV040/050	NRV040/050
1195	23.3	150.00	0.69	978	61	NMRV040/050	NRV040/050

Maximum torque [in-lbs]	Output speed [rpm]	Exact ratio i	Maximum Power [HP]	OHL		Gear Reducer	
				Output shaft [lbs]	Input shaft [lbs]	Motorized Input	Shaft Input
1062	17.5	200.00	0.49	1076	61	NMRV040/050	NRV040/050
974	14.0	250.00	0.38	1088	61	NMRV040/050	NRV040/050
1283	11.7	300.00	0.45	1088	61	NMRV040/050	NRV040/050
1097	8.8	400.00	0.32	1088	61	NMRV040/050	NRV040/050
1213	7.0	500.00	0.25	854	79	NMRV040/050	NRV040/050
1283	5.8	600.00	0.24	1088	46	NMRV040/050	NRV040/050
1283	4.7	750.00	0.2	1088	53	NMRV040/050	NRV040/050
1195	3.9	900.00	0.15	978	79	NMRV040/050	NRV040/050
1283	2.9	1200.00	0.14	1088	79	NMRV040/050	NRV040/050
1283	2.3	1500.00	0.11	1088	79	NMRV040/050	NRV040/050
1283	1.9	1800.00	0.1	1088	79	NMRV040/050	NRV040/050
1097	1.5	2400.00	0.07	1088	79	NMRV040/050	NRV040/050
1062	1.2	3000.00	0.06	1088	79	NMRV040/050	NRV040/050
1062	0.9	4000.00	0.049	1088	79	NMRV040/050	NRV040/050
1062	0.7	5000.00	0.043	1088	79	NMRV040/050	NRV040/050
1928	35.0	100.00	1.54	1117	61	NMRV-P040/063	NRV-P040/063
2300	23.3	150.00	1.31	1278	61	NMRV-P040/063	NRV-P040/063
2239	17.5	200.00	1.01	1407	61	NMRV-P040/063	NRV-P040/063
2045	14.0	250.00	0.77	1410	61	NMRV-P040/063	NRV-P040/063
2398	11.7	300.00	0.83	1410	61	NMRV-P040/063	NRV-P040/063
2259	8.8	400.00	0.64	1410	61	NMRV-P040/063	NRV-P040/063
2045	7.0	500.00	0.41	1410	46	NMRV-P040/063	NRV-P040/063
2398	5.8	600.00	0.44	1410	46	NMRV-P040/063	NRV-P040/063
2398	4.7	750.00	0.36	1410	53	NMRV-P040/063	NRV-P040/063
2398	3.9	900.00	0.32	1410	79	NMRV-P040/063	NRV-P040/063
2398	2.9	1200.00	0.25	1410	79	NMRV-P040/063	NRV-P040/063
2398	2.3	1500.00	0.21	1410	79	NMRV-P040/063	NRV-P040/063
2398	1.9	1800.00	0.18	1410	79	NMRV-P040/063	NRV-P040/063
2259	1.5	2400.00	0.14	1410	79	NMRV-P040/063	NRV-P040/063
2089	1.2	3000.00	0.11	1410	79	NMRV-P040/063	NRV-P040/063
2089	0.9	4000.00	0.09	1410	79	NMRV-P040/063	NRV-P040/063
2089	0.7	5000.00	0.08	1410	79	NMRV-P040/063	NRV-P040/063
1953	35.0	100.00	1.54	1318	61	NMRV-P040/075	NRV-P040/075
2782	23.3	150.00	1.54	1509	61	NMRV-P040/075	NRV-P040/075
3515	17.5	200.00	1.54	1659	61	NMRV-P040/075	NRV-P040/075
3359	14.0	250.00	1.23	1659	61	NMRV-P040/075	NRV-P040/075
3929	11.7	300.00	1.29	1659	61	NMRV-P040/075	NRV-P040/075
3664	8.8	400.00	0.98	1659	61	NMRV-P040/075	NRV-P040/075
3257	7.0	500.00	0.76	1659	61	NMRV-P040/075	NRV-P040/075
3929	5.8	600.00	0.68	1659	46	NMRV-P040/075	NRV-P040/075
3929	4.7	750.00	0.57	1659	53	NMRV-P040/075	NRV-P040/075
3929	3.9	900.00	0.49	1659	79	NMRV-P040/075	NRV-P040/075
3929	2.9	1200.00	0.39	1659	79	NMRV-P040/075	NRV-P040/075

Maximum torque [in-lbs]	Output speed [rpm]	Exact ratio i	Maximum Power [HP]	OHL		Gear Reducer	
				Output shaft [lbs]	Input shaft [lbs]	Motorized Input	Shaft Input
3929	2.3	1500.00	0.33	1659	79	NMRV-P040/075	NRV-P040/075
3929	1.9	1800.00	0.29	1659	79	NMRV-P040/075	NRV-P040/075
3664	1.5	2400.00	0.22	1659	79	NMRV-P040/075	NRV-P040/075
3257	1.2	3000.00	0.17	1659	79	NMRV-P040/075	NRV-P040/075
3257	0.9	4000.00	0.14	1659	79	NMRV-P040/075	NRV-P040/075
3257	0.7	5000.00	0.12	1659	79	NMRV-P040/075	NRV-P040/075
2001	35.0	100.00	1.54	1458	61	NMRV-P040/090	NRV-P040/090
2856	23.3	150.00	1.54	1669	61	NMRV-P040/090	NRV-P040/090
3661	17.5	200.00	1.54	1838	61	NMRV-P040/090	NRV-P040/090
4393	14.0	250.00	1.54	1839	61	NMRV-P040/090	NRV-P040/090
4906	11.7	300.00	1.54	1839	61	NMRV-P040/090	NRV-P040/090
5399	8.8	400.00	1.37	1839	61	NMRV-P040/090	NRV-P040/090
4956	7.0	500.00	1.08	1839	61	NMRV-P040/090	NRV-P040/090
4906	5.8	600.00	0.82	1839	46	NMRV-P040/090	NRV-P040/090
4725	4.7	750.00	0.65	1839	53	NMRV-P040/090	NRV-P040/090
5750	3.9	900.00	0.69	1839	79	NMRV-P040/090	NRV-P040/090
5248	2.9	1200.00	0.5	1839	79	NMRV-P040/090	NRV-P040/090
5067	2.3	1500.00	0.41	1839	79	NMRV-P040/090	NRV-P040/090
4725	1.9	1800.00	0.33	1839	79	NMRV-P040/090	NRV-P040/090
5399	1.5	2400.00	0.31	1839	79	NMRV-P040/090	NRV-P040/090
4956	1.2	3000.00	0.24	1839	79	NMRV-P040/090	NRV-P040/090
4956	0.9	4000.00	0.2	1839	79	NMRV-P040/090	NRV-P040/090
4956	0.7	5000.00	0.17	1839	79	NMRV-P040/090	NRV-P040/090
3724	35.0	100.00	2.83	1458	85	NMRV-P050/090	NRV-P050/090
5313	23.3	150.00	2.83	1669	85	NMRV-P050/090	NRV-P050/090
5399	17.5	200.00	2.25	1838	85	NMRV-P050/090	NRV-P050/090
5045	14.0	250.00	1.75	1839	85	NMRV-P050/090	NRV-P050/090
6196	11.7	300.00	1.92	1839	85	NMRV-P050/090	NRV-P050/090
5399	8.8	400.00	1.36	1839	85	NMRV-P050/090	NRV-P050/090
5045	7.0	500.00	0.94	1839	94	NMRV-P050/090	NRV-P050/090
6196	5.8	600.00	1.03	1839	94	NMRV-P050/090	NRV-P050/090
6196	4.7	750.00	0.85	1839	108	NMRV-P050/090	NRV-P050/090
6196	3.9	900.00	0.74	1839	110	NMRV-P050/090	NRV-P050/090
6196	2.9	1200.00	0.58	1839	110	NMRV-P050/090	NRV-P050/090
6196	2.3	1500.00	0.49	1839	110	NMRV-P050/090	NRV-P050/090
6196	1.9	1800.00	0.43	1839	110	NMRV-P050/090	NRV-P050/090
5399	1.5	2400.00	0.3	1839	110	NMRV-P050/090	NRV-P050/090
4956	1.2	3000.00	0.24	1839	110	NMRV-P050/090	NRV-P050/090
4956	0.9	4000.00	0.19	1839	110	NMRV-P050/090	NRV-P050/090
4956	0.7	5000.00	0.17	1839	110	NMRV-P050/090	NRV-P050/090
3724	35.0	100.00	2.83	1843	85	NMRV-P050/110	NRV-P050/110
5382	23.3	150.00	2.83	2110	85	NMRV-P050/110	NRV-P050/110
6994	17.5	200.00	2.83	2320	85	NMRV-P050/110	NRV-P050/110

Maximum torque [in-lbs]	Output speed [rpm]	Exact ratio i	Maximum Power [HP]	OHL		Gear Reducer	
				Output shaft [lbs]	Input shaft [lbs]	Motorized Input	Shaft Input
8515	14.0	250.00	2.83	2320	85	NMRV-P050/110	NRV-P050/110
9128	11.7	300.00	2.83	2320	85	NMRV-P050/110	NRV-P050/110
10488	8.8	400.00	2.52	2320	85	NMRV-P050/110	NRV-P050/110
8365	7.0	500.00	1.49	2320	94	NMRV-P050/110	NRV-P050/110
8967	5.8	600.00	1.49	2320	94	NMRV-P050/110	NRV-P050/110
8626	4.7	750.00	1.18	2320	108	NMRV-P050/110	NRV-P050/110
10817	3.9	900.00	1.29	2320	110	NMRV-P050/110	NRV-P050/110
9973	2.9	1200.00	0.93	2320	110	NMRV-P050/110	NRV-P050/110
8967	2.3	1500.00	0.71	2320	110	NMRV-P050/110	NRV-P050/110
8445	1.9	1800.00	0.58	2320	110	NMRV-P050/110	NRV-P050/110
10488	1.5	2400.00	0.56	2320	110	NMRV-P050/110	NRV-P050/110
9736	1.2	3000.00	0.43	2320	110	NMRV-P050/110	NRV-P050/110
9736	0.9	4000.00	0.35	2320	110	NMRV-P050/110	NRV-P050/110
9736	0.7	5000.00	0.31	2320	110	NMRV-P050/110	NRV-P050/110
6873	35.0	100.00	5.11	1843	106	NMRV-P063/110	NRV-P063/110
9932	23.3	150.00	5.11	2110	106	NMRV-P063/110	NRV-P063/110
10081	17.5	200.00	3.99	2320	106	NMRV-P063/110	NRV-P063/110
10382	14.0	250.00	3.38	2320	106	NMRV-P063/110	NRV-P063/110
11196	11.7	300.00	3.4	2320	106	NMRV-P063/110	NRV-P063/110
10488	8.8	400.00	2.46	2320	106	NMRV-P063/110	NRV-P063/110
10382	7.0	500.00	1.77	2320	119	NMRV-P063/110	NRV-P063/110
11196	5.8	600.00	1.78	2320	119	NMRV-P063/110	NRV-P063/110
11196	4.7	750.00	1.46	2320	132	NMRV-P063/110	NRV-P063/110
11196	3.9	900.00	1.26	2320	157	NMRV-P063/110	NRV-P063/110
11196	2.9	1200.00	0.98	2320	157	NMRV-P063/110	NRV-P063/110
11196	2.3	1500.00	0.82	2320	157	NMRV-P063/110	NRV-P063/110
11196	1.9	1800.00	0.72	2320	157	NMRV-P063/110	NRV-P063/110
10488	1.5	2400.00	0.52	2320	157	NMRV-P063/110	NRV-P063/110
9736	1.2	3000.00	0.4	2320	157	NMRV-P063/110	NRV-P063/110
9736	0.9	4000.00	0.33	2320	157	NMRV-P063/110	NRV-P063/110
9736	0.7	5000.00	0.29	2320	157	NMRV-P063/110	NRV-P063/110
6957	35.0	100.00	5.11	2410	106	NMRV-P063/130	NRV-P063/130
9806	23.3	150.00	5.11	2759	106	NMRV-P063/130	NRV-P063/130
12907	17.5	200.00	5.11	3035	106	NMRV-P063/130	NRV-P063/130
13542	14.0	250.00	4.41	3035	106	NMRV-P063/130	NRV-P063/130
15577	11.7	300.00	4.66	3035	106	NMRV-P063/130	NRV-P063/130
14604	8.8	400.00	3.43	3035	106	NMRV-P063/130	NRV-P063/130
13719	7.0	500.00	2.7	3035	106	NMRV-P063/130	NRV-P063/130
15577	5.8	600.00	2.44	3035	119	NMRV-P063/130	NRV-P063/130
15577	4.7	750.00	2	3035	132	NMRV-P063/130	NRV-P063/130
15577	3.9	900.00	1.72	3035	157	NMRV-P063/130	NRV-P063/130
15577	2.9	1200.00	1.34	3035	157	NMRV-P063/130	NRV-P063/130
15577	2.3	1500.00	1.13	3035	157	NMRV-P063/130	NRV-P063/130

Maximum torque [in-lbs]	Output speed [rpm]	Exact ratio i	Maximum Power [HP]	OHL		Gear Reducer	
				Output shaft [lbs]	Input shaft [lbs]	Motorized Input	Shaft Input
15577	1.9	1800.00	0.98	3035	157	NMRV-PO63/130	NRV-PO63/130
14604	1.5	2400.00	0.72	3035	157	NMRV-PO63/130	NRV-PO63/130
13719	1.2	3000.00	0.57	3035	157	NMRV-PO63/130	NRV-PO63/130
13719	0.9	4000.00	0.46	3035	157	NMRV-PO63/130	NRV-PO63/130
13719	0.7	5000.00	0.4	3035	157	NMRV-PO63/130	NRV-PO63/130
12219	23.3	150.00	6.39	4047	89	NMRV-PO63/150	NRV-PO63/150
12907	17.5	200.00	5.11	4047	106	NMRV-PO63/150	NRV-PO63/150
15715	14.0	250.00	5.11	4047	106	NMRV-PO63/150	NRV-PO63/150
13633	11.7	300.00	3.68	4047	111	NMRV-PO63/150	NRV-PO63/150
22127	8.8	400.00	5.11	4047	106	NMRV-PO63/150	NRV-PO63/150
20622	7.0	500.00	4.06	4047	106	NMRV-PO63/150	NRV-PO63/150
23370	5.8	600.00	3.68	4047	111	NMRV-PO63/150	NRV-PO63/150
20622	4.7	750.00	2.77	4047	111	NMRV-PO63/150	NRV-PO63/150
18587	3.9	900.00	1.92	4047	157	NMRV-PO63/150	NRV-PO63/150
23631	2.9	1200.00	2.02	4047	157	NMRV-PO63/150	NRV-PO63/150
20622	2.3	1500.00	1.5	4047	157	NMRV-PO63/150	NRV-PO63/150
17585	1.9	1800.00	1.03	4047	157	NMRV-PO63/150	NRV-PO63/150
21198	1.5	2400.00	1.03	4047	157	NMRV-PO63/150	NRV-PO63/150
20622	1.2	3000.00	0.86	4047	157	NMRV-PO63/150	NRV-PO63/150
20622	0.9	4000.00	0.69	4047	157	NMRV-PO63/150	NRV-PO63/150
19874	0.7	5000.00	0.58	4047	157	NMRV-PO63/150	NRV-PO63/150

All supplies effected by Motovario are governed exclusively by the general terms of sale that you can find on our website:

<http://www.motovario.com/eng/corporate/sales-conditions>











