

LM Series

(SM Series)



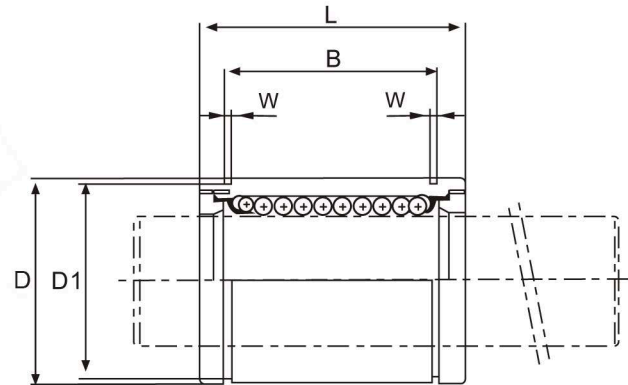
LM



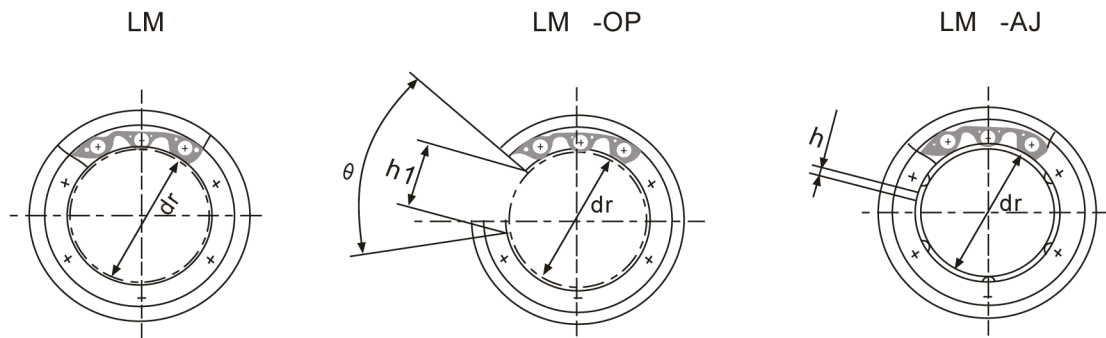
LM OP



LM AJ



Part No.										
Seal Type	Ball Circuit	Open Type	Ball Circuit	Adjustable Type	Ball Circuit	dr (mm)	Tolerance (μm)	D (mm)	Tolerance (μm)	
LM4	4	-	-	-	-	4	0 -8	8	0 -9	
LM5UU	4	-	-	-	-	5		10		
LM6UU	4	-	-	LM6UUAJ	4	6	0 -9	12	0 -11	
LM8SUU	4	-	-	LM8SUUAJ	4	8		15		
LM8UU	4	-	-	LM8UUAJ	4	8		15		
LM10UU	4	-	-	LM10UUAJ	4	10		19		
LM12UU	4	LM12UU-OP	3	LM12UUAJ	4	12		21		0 -13
LM13UU	4	LM13UU-OP	3	LM13UUAJ	4	13		23		
LM16UU	5	LM16UU-OP	4	LM16UUAJ	5	16	28	0 -10	0 -16	
LM20UU	5	LM20UU-OP	4	LM20UUAJ	5	20	32			
LM25UU	6	LM25UU-OP	5	LM25UUAJ	6	25	40			
LM30UU	6	LM30UU-OP	5	LM30UUAJ	6	30	45	0 -12	0 -19	
LM35UU	6	LM35UU-OP	5	LM35UUAJ	6	35	52			
LM40UU	6	LM40UU-OP	5	LM40UUAJ	6	40	60			
LM50UU	6	LM50UU-OP	5	LM50UUAJ	6	50	80			
LM60UU	6	LM60UU-OP	5	LM60UUAJ	6	60	0/-15	90	0/-22	



Main Dimensions and Tolerance									Eccentricity (max) μm	Radial Clearance (max) μm	Basic Load Rating		Weight (g)	Part No.
L (mm)	Tolerance (μm)	B (mm)	Tolerance (μm)	W (mm)	D1 (mm)	h (mm)	h1 (mm)	θ			C N	Co N		
12	0 -120	-	0 -200	-	-	-	-	-	8	-3	88	127	2	LM4
15		10.2		1.1	9.6	-	-	-			167	206	4	LM5UU
19	0 -200	13.5	0 -200	1.1	11.5	1.0	-	-	12	-3	206	265	8.5	LM6UU
17		11.5		1.1	14.3	1.0	-	-			176	216	11	LM8SUU
24		17.5		1.1	14.3	1.0	-	-			274	392	17	LM8UU
29		22		1.3	18	1.0	6.8	80°			372	549	36	LM10UU
30		23		1.3	20	1.5	8	80°		510	784	42	LM12UU	
32		23		1.3	22	1.5	9	80°						510
37		26.5		1.6	27	1.5	11	80°		774	1180	76	LM16UU	
42		30.5		1.6	30.5	1.5	11	60°						882
59	0 -300	41	0 -400	1.85	38	2	12	50°	15	-6	980	1570	240	LM25UU
64		44.5		1.85	43	2.5	15	50°			1570	2740	270	LM30UU
70		49.5		2.1	49	2.5	17	50°	20	-8	1670	3140	425	LM35UU
80		60.5		2.1	57	3	20	50°						
100		74		2.6	76.5	3	25	50°	25	-13	3820	7940	1700	LM50UU
110		85		3.15	86.5	3	30	50°						

LME Series

(KB Series)



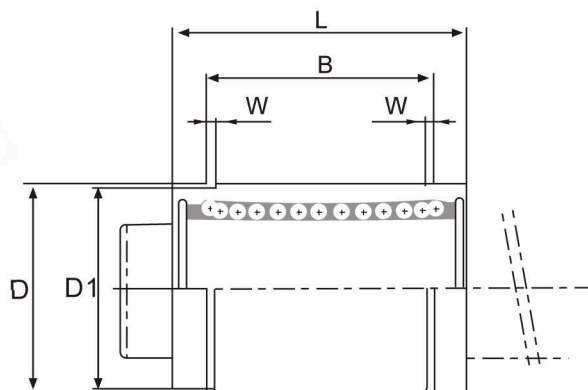
LME



LME OP



LME AJ



Part No.						dr	Tolerance	D
Seal Type	Ball Circuit	Open Type	Ball Circuit	Adjustable Type	Ball Circuit	(mm)	(μ m)	(mm)
LME5UU	4	-	-	LME5UUAJ	4	5	+8 0	12
LME8UU	4	-	-	LME8UUAJ	4	8		16
LME12UU	4	LME12UU-OP	3	LME12UUAJ	4	12		22
LME16UU	5	LME16UU-OP	4	LME16UUAJ	5	16	+9 -1	26
LME20UU	5	LME20UU-OP	4	LME20UUAJ	5	20		32
LME25UU	6	LME25UU-OP	5	LME25UUAJ	6	25	+11 -1	40
LME30UU	6	LME30UU-OP	5	LME30UUAJ	6	30		47
LME40UU	6	LME40UU-OP	5	LME40UUAJ	6	40	+13 -2	62
LME50UU	6	LME50UU-OP	5	LME50UUAJ	6	50		75
LME60UU	6	LME60UU-OP	5	LME60UUAJ	6	60		90