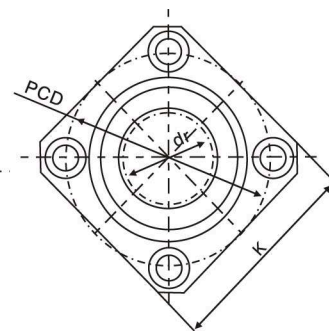
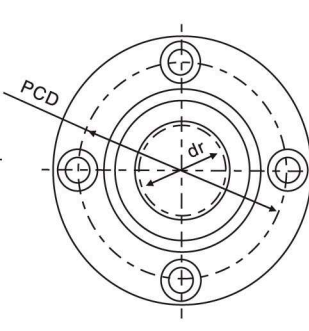
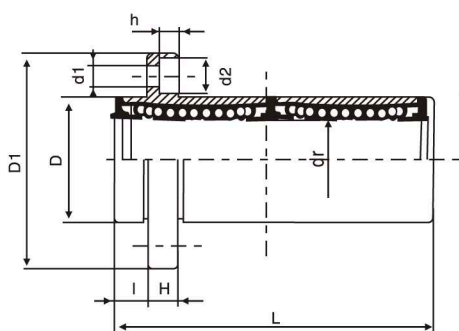


LMF/KP L Series

(SMF/K W-E Series)



LMFP L

LMKP L

Part No.		Main Dimensions and Tolerance											Eccentricity	Basic Load Rating		Weight (g)
Seal Type	Ball Circuit	dr (mm)	Tolerance (μm)	D (mm)	Tolerance (μm)	L ±0.3 (mm)	I (mm)	D1 (mm)	K (mm)	H (mm)	PCD (mm)	d1 x d2 x h (mm)		C N	Co N	
LMFP6LUU	4	6	0 -10	12	0 -13	35	5	28	22	5	20	3.5x6x3.1	15	323	529	31
LMKP6LUU																
LMFP8LUU	4	10		19	55	6	40	30	6	29	4.5x7.5x4.1	588		1100	98	
LMKP8LUU																4
LMFP10LUU	4	13		23	61	6	43	34	6	33	4.5x7.5x4.1	813		1570	130	
LMKP10LUU																5
LMFP12LUU	5	20		32	80	8	54	42	8	43	5.5x9x5.1	1400		2740	260	
LMKP12LUU																6
LMFP13LUU	6	30		45	123	10	74	58	10	60	6.6x11x6.1	2490		5490	680	
LMKP13LUU																6
LMFP16LUU	6	40	60	151	13	96	75	13	78	9x14x8.1	3430	8040	1570			
LMKP16LUU														6	50	80
LMFP20LUU	6	60	90	209	18	134	106	18	112	11x17.5x10.8	7550	20000	4500			
LMKP20LUU														6	60	90