

LMF/K/ H Series

(SMF/K/T Series)



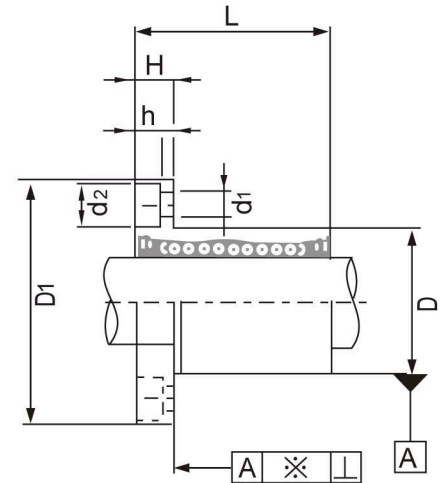
LMF



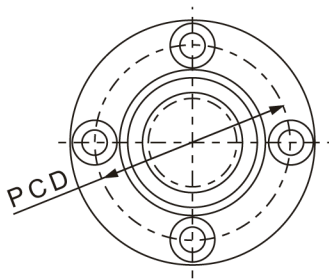
LMH



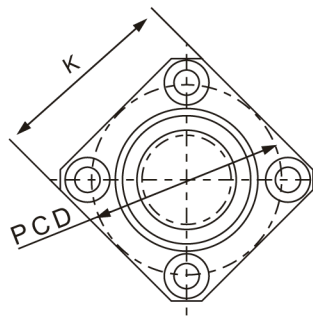
LMK



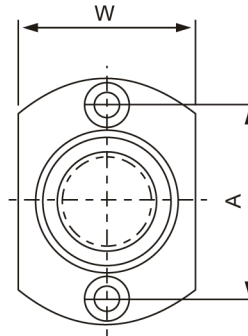
Part No.			Main Dimensions and Tolerance											
Seal Type			Ball Circuit	dr (mm)	Tolerance (μm)	D (mm)	Tolerance (μm)	L ±0.3 (mm)	D1 (mm)	H (mm)	PCD (mm)	K (mm)	W (mm)	A (mm)
LMF6UU	LMK6UU	LMH6UU	4	6	0	12	-11	19	28	5	20	22	18	20
LMF8UU	LMK8UU	LMH8UU	4	8		15		24	32	5	24	25	21	24
LMF10UU	LMK10UU	LMH10UU	4	10		19		0	29	40	6	29	30	25
LMF12UU	LMK12UU	LMH12UU	4	12	21	-13	30		42	6	32	32	27	32
LMF13UU	LMK13UU	LMH13UU	4	13	23		32		43	6	33	34	29	33
LMF16UU	LMK16UU	LMH16UU	5	16	28		37	48	6	38	37	34	31	
LMF20UU	LMK20UU	LMH20UU	5	20	0	32	-16	42	54	8	43	42	38	36
LMF25UU	LMK25UU	LMH25UU	6	25		40		59	62	8	51	50	46	40
LMF30UU	LMK30UU	LMH30UU	6	30		45		64	74	10	60	58	51	49
LMF35UU	LMK35UU	—	6	35	0	52	-19	70	82	10	67	64	—	—
LMF40UU	LMK40UU	—	6	40		60		80	96	13	78	75	—	—
LMF50UU	LMK50UU	—	6	50		80		100	116	13	98	92	—	—
LMF60UU	LMK60UU	—	6	60	0/-15	90	0/-22	110	134	18	112	106	—	—



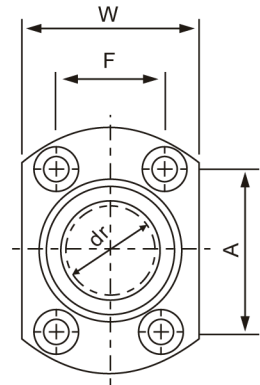
LMF



LMK



LMH13 or less



LMH16 or more

F (mm)	d1xd2xh (mm)	Eccentricity (max) μm	Radial Clearance (max) μm	Basic Load Rating		Weight (g)	Part No.
				C N	Co N		
-	3.5x6x3.1	12	-3	206	265	24	LMF/K/H6UU
-	3.5x6x3.1			274	392	37	LMF/K/H8UU
-	4.5x7.5x4.1		-4	372	549	72	LMF/K/H10UU
-	4.5x7.5x4.1			510	784	76	LMF/K/H12UU
-	4.5x7.5x4.1			510	784	88	LMF/K/H13UU
22	4.5x7.5x4.1		774	1180	120	LMF/K/H16UU	
24	5.5x9x5.1	15	-6	882	1370	180	LMF/K/H20UU
32	5.5x9x5.1			980	1570	340	LMF/K/H25UU
35	6.6x11x6.1		-8	1570	2740	470	LMF/K/H30UU
-	6.6x11x6.1	1670		3140	650	LMF/K35UU	
-	9x14x8.1	20	-10	2160	4020	1060	LMF/K40UU
-	9x14x8.1			3820	7940	2200	LMF/K50UU
-	11x17x11.1	25	-13	4700	10000	3000	LMF/K60UU

LMEF/K Series

(KBF/K Series)

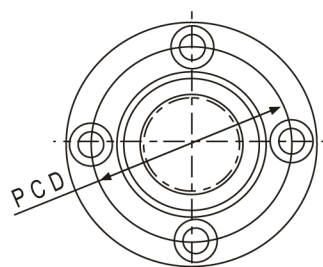
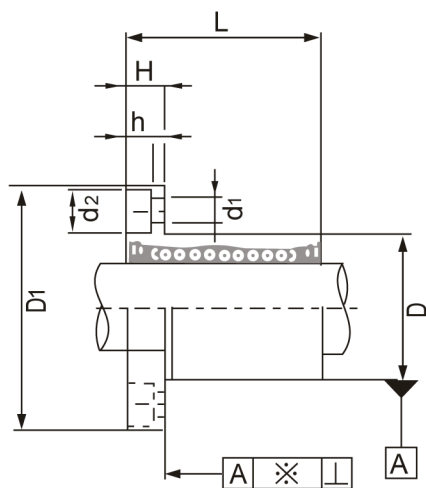


LMEF

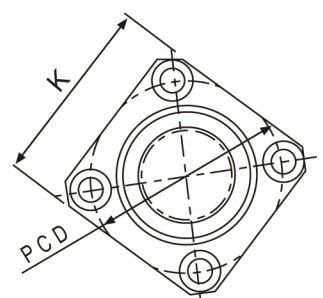


LMEK

Part No.		Main Dimensions and Tolerance						
Seal Type		Ball Circuit	dr (mm)	Tolerance (μm)	D (mm)	Tolerance (μm)	L ±0.3 (mm)	D1 (mm)
LMEF8UU	LMEK8UU	4	8	+8	16	0/-11	25	32
LMEF12UU	LMEK12UU	4	12	0	22	0 -13	32	42
LMEF16UU	LMEK16UU	5	16	+9	26		36	46
LMEF20UU	LMEK20UU	5	20	-1	32	0 -16	45	54
LMEF25UU	LMEK25UU	6	25	+11	40		58	62
LMEF30UU	LMEK30UU	6	30	-1	47	68	76	
LMEF40UU	LMEK40UU	6	40	+13 -2	62	0 -19	80	98
LMEF50UU	LMEK50UU	6	50		75		100	112
LMEF60UU	LMEK60UU	6	60		90	0/-22	125	134



LMEF



LMEK

H (mm)	PCD (mm)	K (mm)	d1xd2xh (mm)	Eccentricity (max) μm	Radial Clearance (max) μm	Basic Load Rating		Weight (g)	Part No.
						C N	Co N		
5	24	25	3.5x6x3.1	12	-3	265	402	41	LMEF/K/8UU
6	32	32	4.5x7.5x4.1		-4	510	784	80	LMEF/K/12UU
6	36	35	4.5x7.5x4.1			578	892	103	LMEF/K/16UU
8	43	42	5.5x9x5.1	15	-6	862	1370	182	LMEF/K/20UU
8	51	50	5.5x9x5.1			980	1570	335	LMEF/K/25UU
10	62	60	6.6x11x6.1		20	-8	1570	2740	560
13	80	75	9x14x8.1	2160			4020	1175	LMEF/K/40UU
13	94	88	9x14x8.1	-13		3820	7940	1745	LMEF/K/50UU
18	112	106	11x17x11.1		25	4700	9800	3220	LMEF/K/60UU