



COMPANY WITH  
QUALITY SYSTEM  
CERTIFIED BY DNV GL  
= ISO 9001 =

INDUSTRIES

## AGRICULTURAL PRODUCTS *PRODOTTI AGRICOLI*



GENERAL TECHNICAL CATALOGUE  
*CATALOGO TECNICO GENERALE*



01.09.19

[www.isb-industries.com](http://www.isb-industries.com)



# AGRICULTURAL RANGE

## GAMMA AGRICOLA

Products for agricultural and gardening machinery  
*Prodotti per macchine agricole e giardinaggio*



Ball Bearings  
*Cuscinetti a sfere*



Agricultural Bearings  
*Cuscinetti Agricoli*



Agri Hub  
*Cuscinetti per frangizolle*



Agricultural Slewing Bearings  
*Ralle agricole*



Tapered Roller Bearings  
*Cuscinetti a rulli conici*



Self-aligning bearings  
*Supporti autoallineanti*



Pressed steel bearing units -  
Bearings for units  
*Supporti in lamiera stampata -  
Cuscinetti per supporti*



Spherical plain bearings, rod ends,  
clevises  
*Snodi sferici, teste a snodo, forcelle*



Bushes  
*Boccole*



Needle Bearings, PWTR  
Stud type track rollers, NUKR  
*Cuscinetti a rullini, PTWR  
Perni folli, NUKR*



Shaft seals - Metallic seals  
*Anelli di tenuta - Tenute metalliche*



Sleeves and accessories  
*Bussole e accessori*



## GENERAL SALES PROGRAM

### PROGRAMMA GENERALE DI VENDITA



**Components for linear motion \***  
*Componenti per la  
movimentazione lineare \**



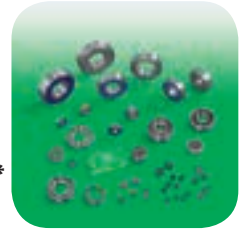
**Bearings and components \***  
*Cuscinetti e componenti \**



**Super precision bearings \***  
*Cuscinetti di super precisione \**



**ELECTRICAL MOTORS STANDARD**  
**Bearings for "low noise" applications \***  
*Cuscinetti per applicazioni  
"bassa rumorosità" \**



**Slewing bearings \***  
*Cuscinetti di base \**



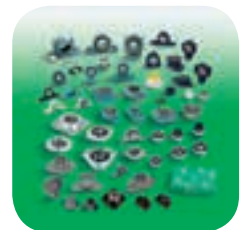
**Needle bearings \***  
*Cuscinetti a rullini \**



**Spherical plain bearings  
rod ends - clevises \***  
*Snodi sferici  
teste a snodo - forcelle \**



**Self-aligning bearing units \***  
*Supporti autoallineanti \**



**Free wheels \***  
*Ruote libere \**



**Bushes \***  
*Boccole \**



**Bearings and Self-aligning  
bearing units \***  
*Cuscinetti e supporti  
autoallineanti \**



**Products in stainless steel**  
*Prodotti in acciaio inox*



\* For further information, please ask for technical catalogue, also available on line: [www.isb-industries.com](http://www.isb-industries.com)

\* Per ulteriori informazioni, potete richiedere il catalogo tecnico, disponibile anche on line: [www.isb-industries.com](http://www.isb-industries.com)



**GENERAL TECHNICAL CATALOGUE**  
***CATALOGO TECNICO GENERALE***

**Distributor / Distributore**





INDUSTRIES  
BEARINGS AND COMPONENTS

---

## INDEX INDICE

Agricultural bearings..... pag. 5  
*Cuscinetti agricoli*

Special bearings..... pag. 23  
*Cuscinetti speciali*

Agri Hub..... pag. 29  
*Cuscinetti per frangizolle*

Agricultural slewing bearings..... pag. 37  
*Ralle agricole*







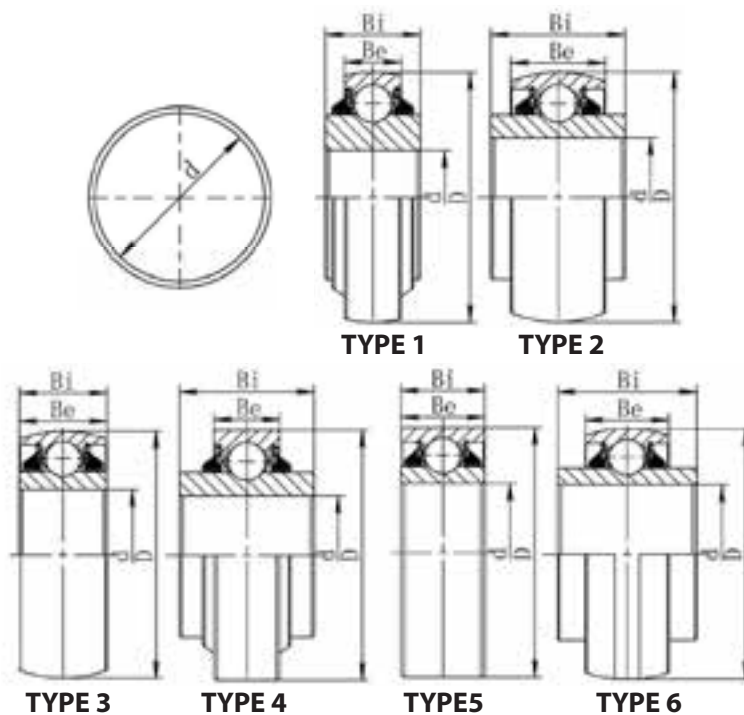
INDUSTRIES  
BEARINGS & COMPONENTS

---

**AGRICULTURAL BEARINGS**  
***CUSCINETTI AGRICOLI***

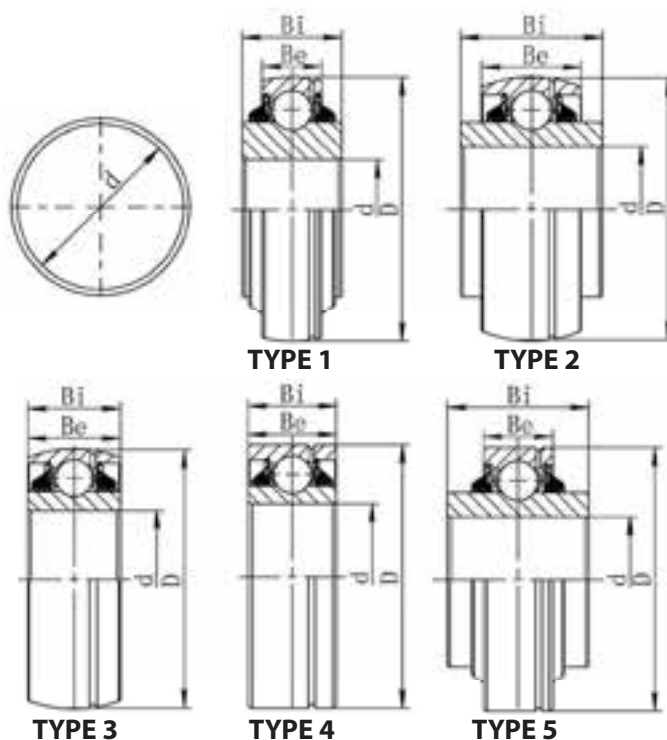




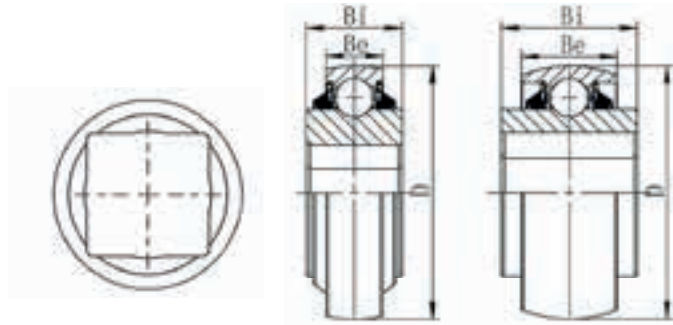
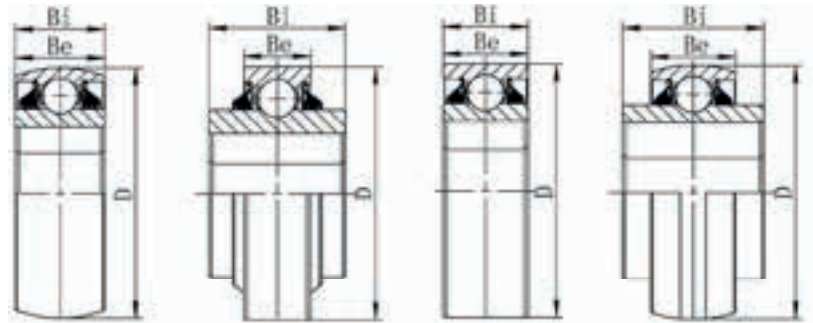


Designation <i>Sigla</i>	Type <i>Tipo</i>	Dimensions - <i>Dimensioni</i>				Bearings interchange <i>Intercambiabilità cuscinetti</i>		
		d	D	Be	Bi	BCA	LINK-BELT	NTN
		[mm] [inch]						
W208PPB2	1	1.5005 38.113	3.1496 80.000	0.7090 18.000	1.6880 42.875		24R6-208E3	2AC08-1 1/2
W208PPB7	2	1.1880 30.175	3.1496 80.000	0.7090 18.000	1.1880 30.175	DS208TT7	19R208E3	1AC08-1 3/16
W208PP10	4	1.5005 38.113	3.1496 80.000	0.8270 21.000	1.6880 42.875	DC208TT10	24RB8-208E3	
W208PPB10	1	1.5005 38.113	3.1496 80.000	0.8270 21.000	1.6880 42.875			
W208PPB23	2	1.5005 38.113	3.1496 80.000	1.1880 30.175	1.6880 42.875	DS208TT2A		
W209PPB2	3	1.7717 45.000	3.3460 85.000	1.1880 30.175	1.1880 30.175	DS209TT2	R3-209E3	
W209PPB4	3	1.5350 39.000	3.3460 85.000	1.1880 30.175	1.1880 30.175	DS209TT4	24R3-209E3	3AC09-1/2
W210PP2	5	1.9380 49.225	3.5433 90.000	1.1880 30.175	1.1880 30.175	DC210TT2	31 RB3-210E3	7AC10-1 15/16
W210PP2	3	1.9380 49.225	3.5430 90.000	1.1880 30.175	1.1880 30.175	DS210TT2	31R3-210E3	3AC10-1 15/16
W210PPB2	3	1.7850 45.339	3.5430 90.000	1.1880 30.175	1.1880 30.175	DS210TT5	28R3-210E3	3AC10-1 3/4
W210PP8	5	1.5300 38.862	3.5433 90.000	1.1880 30.175	1.1880 30.175			
W210PPB8	2	1.9448 49.400	3.5433 90.000	0.9055 23.000	1.4382 36.530			
W211PP2	5	2.1880 55.575	3.9370 100.000	1.3120 33.325	1.3120 33.325	DC211TT2	35RB3-211E3	7AC11-2 3/16
W211PPB2	3	2.1880 55.575	3.9370 100.000	1.3120 33.325	1.3120 33.325	DS211TT2	35R3-211E3	3AC11 2 3/16
W211PPB4	6	2.1880 55.575	3.9370 100.000	1.3120 33.325	2.1870 55.500	DS211TT4		
W214PP2	5	2.7559 70.000	4.9213 125.000	1.5620 39.675	1.5620 39.675			
W214PPB2	3	2.7559 70.000	4.9213 125.000	1.5620 39.675	1.5620 39.675			
W214PPB9	3	2.7660 70.256	4.9213 125.000	1.1020 28.000	1.7500 44.450			



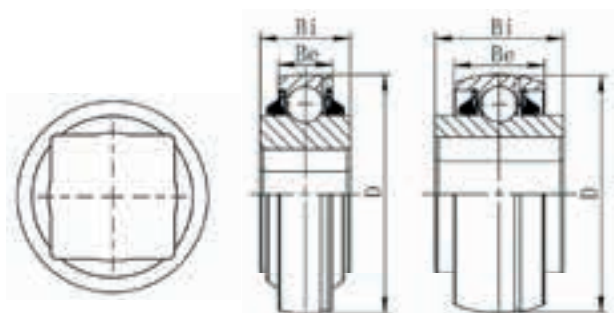


Designation <i>Sigla</i>	Type <i>Tipo</i>	Dimensions - <i>Dimensioni</i>				Bearings interchange <i>Intercambiabilità cuscinetti</i>		
		d	D	Be	Bi	BCA	LINK-BELT	NTN
GW209PPB2	3	1.7717	3.3465	1.1880	1.1880	DS209TTR2	RG3-209E3	3AC09D1
		45.000	85.000	30.175	30.175			
GW209PPB4	3	1.5350	3.3465	.8660	1.1880	DS209TTR4	24G3-209E3	3AC09 1 1/2 D1
		39.000	85.000	22.000	30.175			
GW209PPB11	1	1.7810	3.3465	1.1880	1.4380	DS209TTR10		1AC09D1V1
		45.237	85.000	30.175	36.525			
GW210PPB2	3	1.9380	3.5433	1.1880	1.1880	DS210TTR2	31 RG3-210E3	3AC10-1 13/16 D1
		49.225	90.000	30.175	30.175			
GW210PPB5	3	1.7850	3.5433	1.1880	1.1880	DS210TTR5R		
		45.339	90.000	30.175	30.175			
GW210PP9	5	1.9450	3.5433	.9060	1.4380			
		49.403	90.000	23.000	36.525			
GW211PP2	4	2.1880	3.9370	1.3120	1.3120	DC211TTR2		
		55.575	100.000	33.325	33.325			
GW211PPB2	3	2.1380	3.9370	1.3120	1.3120	DS211TTR2		
		55.575	100.000	33.325	33.325			
GW211PPB8	1	2.1880	3.9370	.9840	1.3120			
		55.575	100.000	25.000	33.325			
GW211PPB9	1	2.1950	3.9370	.9840	1.5620	DS211TTR9		
		55.753	100.000	25.000	39.675			
GW211PPB10	3	1.9380	3.9370	1.3120	1.3120			
		49.225	100.000	33.325	33.325			
GW211PPB13	1	1.7850	3.9370	.9840	1.3120	DS211TTR13		
		45.339	100.000	25.000	33.325			
GW211PPB14	1	2.0150	3.9370	.9840	1.3120			
		51.181	100.000	25.000	33.325			
GW211PP25	5	1.7800	3.9370	1.3120	1.7500	DC211TTR21		
		45.212	100.000	33.325	44.450			
GW214PP2	4	2.7559	4.9213	1.5620	1.5620	DC214TTR2		
		70.000	125.000	39.675	39.675			
GW214PPB2	3	2.7559	4.9213	1.5620	1.5620			3AC1401
		70.000	125.000	39.675	39.675			
GW214PPB3	3	1.9380	4.9213	1.5620	1.5620	DS214TTR3		
		49.225	125.000	39.675	39.675			
GW214PPB5	2	2.7559	4.9213	1.5620	2.4380	DS214TTR5		
		70.000	125.000	39.675	61.925			
GW214PPB6	1	2.6881	4.9213	1.1024	2.6875	DS214TTRA		
		68.278	125.000	28.000	68.263			


**TYPE 1**
**TYPE 2**

**TYPE 3**
**TYPE 4**
**TYPE 5**
**TYPE 6**

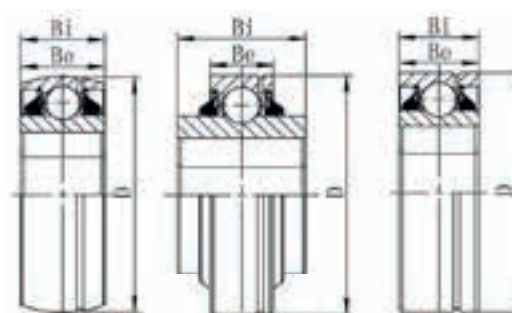
Designation <i>Sigla</i>	Type <i>Tipo</i>	Dimensions - <i>Dimensioni</i>				Bearings interchange <i>Intercambiabilità cuscinetti</i>		
		d	D	Be	Bi	BCA	LINK-BELT	NTN
		[mm] [inch]						
W208PP5	4	1.1800	3.1496	0.7090	1.4380	OC208TT5	18S5-2E08E3	5AS08-1 1/8
		29.970	80.000	18.000	36.520			
W208PPB5	1	1.1800	3.1496	0.7090	1.4380	OS208TT5	18S5-2E08E3	1AS08-1 1/8
		29.970	80.000	18.000	36.520			
W208PP6	4	1.0300	3.1496	0.7090	1.4380	DC208TT6	16S5-208E3	
		26.162	80.000	18.000	36.520			
W208PPB6	1	1.0300	3.1496	0.7090	1.4380	DS208TT6	16S5-208E3	1AS08-1
		26.162	80.000	18.000	36.520			
W208PP8	4	1.1800	3.1496	1.1880	1.4380	DC208TT8	18SB2-2E08E3	6AS09-1 1/8
		29.972	80.000	30.175	36.520			
W208PPB8	2	1.1800	3.1496	1.1880	1.4380	DS208TT8	18S2-2E08E3	2AS08-1 1/8
		29.972	80.000	30.175	36.520			
W208PPB9	2	1.0300	3.1496	1.1880	1.4380	DS208TT9	16S2-208E3	2AS08-1 1/8
		26.162	80.000	30.175	36.520			
W208PPB11	6	.9050	3.3760	1.1880	1.4380	DS208TT11	14S4-208E3	4AS08-7/8
		23.000	85.750	30.175	36.520			
W208PPB12	6	1.1800	3.3760	1.1880	1.4380	DS208TT12	18S4-2E08E3	4AS08-1 1/8
		29.972	85.750	30.175	36.520			
W208PPB13	1	.9050	3.1496	0.7090	1.4380	OS208TT13	14S5-208E3	1AS08-7/8
		23.000	80.000	18.000	36.520			
W209PPB5	2	1.2900	3.3465	1.1880	1.4380	DS209TT5	20S2-209E3	2AS09-1 1/4
		32.766	85.000	30.175	36.520			
W209PPB7	6	1.2900	3.3760	1.1880	1.4375	DS209TT7	20S4-209E3	
		32.766	85.750	30.175	36.510			
W210PPB4	3	1.1800	3.5433	1.1880	1.1880	DS210TT4	18S3-210E3	3AS10-1 3/4
		29.972	90.000	30.175	30.175			
W210PPB6	2	1.1800	3.5433	1.1880	1.4380	DS210TT6	18S2-210E3	2AS10-1 1/8
		29.972	90.000	30.175	36.520			
W211PP3	5	1.5311	3.9370	1.3120	1.3120	DC211TT3	24S3-211E3	7AS11-1 1/2
		38.890	100.000	33.324	33.324			
W211PPB3	3	1.5311	3.9370	1.3120	1.3120	OS211TT3	24S3-211 E3	3AS11-1 1/2
		38.890	100.000	33.324	33.324			
W211PP5	4	1.5311	4.0000	1.4380	1.7500	DC211TT5		6AS11-1 1/2 V1
		38.890	101.600	36.520	44.450			
W211PPB6	6	1.5311	4.0770	1.4380	1.7500	DS211TT6		4AS11-1 1/2
		38.890	103.556	36.520	44.450			





TYPE 1

TYPE 2

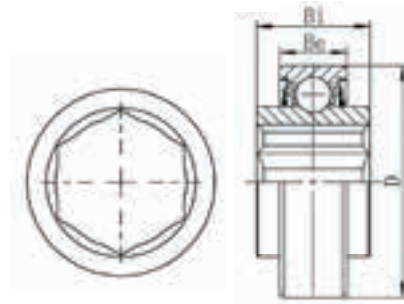
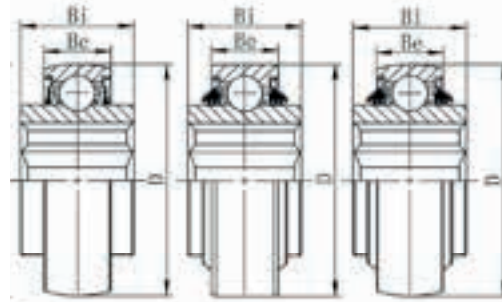


TYPE 3

TYPE 4

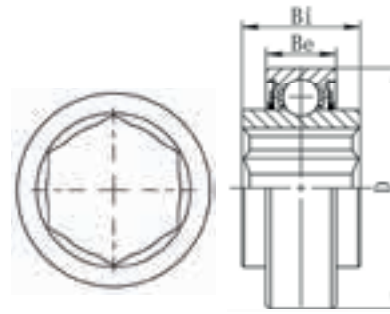
TYPE 5

Designation <i>Sigla</i>	Type <i>Tipo</i>	Dimensions - <i>Dimensioni</i>				Bearings interchange <i>Intercambiabilità cuscinetti</i>		
		d	D	Be	Bi	BCA	LINK-BELT	NTN
		[mm] [inch]						
GW208PPB5	1	1.1800 29.970	3.1496 80.000	0.7090 18.000	1.4380 36.520	DS208TTR21	18SG7-2E08E3	1AS08-1 5/3201
GW208PPB6	1	1.1800 29.970	3.1496 80.000	0.7090 18.000	1.4380 36.520	DS208TTR6	16SG7-208E3	
GW208PPB8	2	1.0300 26.162	3.1496 80.000	0.7090 18.000	1.4380 36.520	18SG2-2E08E3	2AS08-1 1/8 01	
GW208PP17	4	1.0300 26.162	3.1496 80.000	0.7090 18.000	1.4380 36.520	DC208TTR17		
GW208PPB17	2	1.1800 29.972	3.1496 80.000	1.1880 30.175	1.4380 36.520			
GW209PPB5	2	1.1800 29.972	3.1496 80.000	1.1880 30.175	1.4380 36.520	DS209TTR5		
GW209PPB8	1	1.0300 26.162	3.1496 80.000	1.1880 30.175	1.4380 36.520	DS209TTR8	20SG5-209E3	
GW210PP4	5	.9050 23.000	3.3760 85.750	1.1880 30.175	1.4380 36.520	DC210TTR4	18SBG3-210E3	7AS101 1/8 01
GW210PPB4	3	1.1800 29.972	3.3760 85.750	1.1880 30.175	1.4380 36.520	DS210TTR4	18SG3-210E3	
GW211PP3	5	.9050 23.000	3.1496 80.000	0.7090 18.000	1.4380 36.520	DC211TTR3	24SBG3-211E3	7AS11-1 1/2 01
GW211PPB3	3	1.2900 32.766	3.3465 85.000	1.1880 30.175	1.4380 36.520	DS211TTR3	24SG3211E3	3AS11-1 1/2 D1
GW211PP5	4	1.2900 32.766	3.3760 85.750	1.1880 30.175	1.4375 36.510			
GW211PP17	4	1.1800 29.972	3.5433 90.000	1.1880 30.175	1.1880 30.150	DC211TTR3E		
GW211PPB17	1	1.1800 29.972	3.5433 90.000	1.1880 30.175	1.1880 30.175			
GW214PPB4	3	1.1800 29.972	3.5433 90.000	1.1880 30.175	1.4380 36.520			3AS14-2D1
GW216PP2	4	1.5311 38.890	3.9370 100.000	1.3120 33.324	1.3120 33.324			

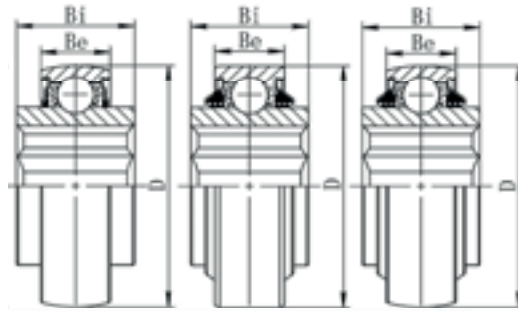

**TYPE 1**

**TYPE 2**
**TYPE 3**
**TYPE 4**

Designation <i>Sigla</i>	Type <i>Tipo</i>	Dimensions - <i>Dimensioni</i>				Bearings interchange <i>Intercambiabilità cuscinetti</i>		
		d	D	Be	Bi	BCA	LINK-BELT	NTN
		[mm] [inch]						
202KRR3	1	0.5630	1.3780	0.4330	0.5120			
		14.300	35.000	11.000	13.000			
204KPP2	3	0.6950	1.8504	0.5510	0.8250			
		17.653	47.000	14.000	20.955			
204KRR2	1	0.6950	1.8504	0.5510	0.8250	HPC011GP	11KB204N	1AH04-11/16
		17.653	47.000	14.000	20.955			
204KRRB2	2	0.6950	1.8504	0.5510	0.8250		11K204N	
		17.653	47.000	14.000	20.955			
205KPP2	3	0.8760	2.0472	0.5910	1.0000			
		22.250	52.000	15.000	25.400			
205KRR2	1	0.8760	2.0472	0.5910	1.0000	HPC014GP	14KB205N	1 AH05-7/8
		22.250	52.000	15.000	25.400			
205KPPB2	4	0.8760	2.0472	0.5910	1.0000			
		22.250	52.000	15.000	25.400			
205KRRB2	2	0.8760	2.0472	0.5910	1.0000	HPS014GP	14K205N	2AH05-7'8
		22.250	52.000	15.000	25.400			
206KRR6	1	1.0010	2.4409	0.6300	0.9450	HPC100GP	16KB208N	1AH06-1
		25.425	62.000	16.000	24.000			
206KRRB6	2	1.0010	2.4409	0.6300	0.9450	HPS100GP	16K206N	2AH06-1
		25.425	62.000	16.000	24.000			
G207KPPB2*	4	1.1260	2.8346	0.7480	1.4840	HPS102TR		
		28.600	72.000	19.000	37.694			
207KRRB9	2	1.1260	2.8346	0.6690	1.4840	HPS102GP	18K207N	2AH07-1 1/8
		28.600	72.000	17.000	37.694			
207KRRB12	2	1.1260	2.8346	0.6690	0.9840	HPS102GPF		
		28.600	72.000	17.000	25.000			
GW208PPB22*	4	1.2510	3.1496	0.8270	1.4380			
		31.877	80.000	21.000	36.520			
W208KRRB6	2	1.3760	3.1496	0.8270	1.4380	HPS106GPN		
		34.950	80.000	21.000	1.4380			
W208PPB16	4	1.2510	3.1496	0.7090	1.4380	HPS104TP	20K5-208E3	A2AH08-1 1/4V2
		31.775	80.000	18.000	36.520			
W208PP21	3	1.2510	3.1496	0.7090	1.4380			
		31.775	80.000	18.000	36.520			





TYPE 1

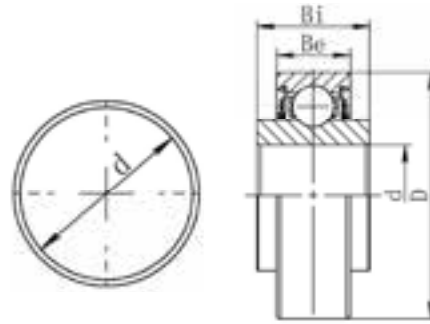
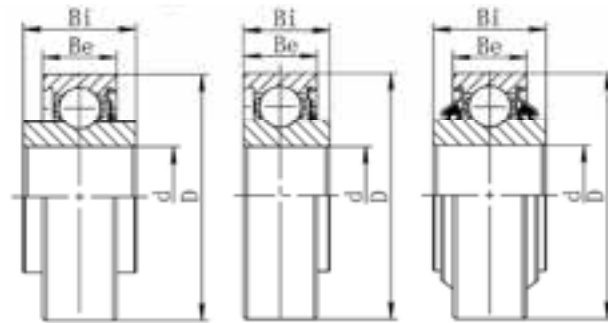


TYPE 2

TYPE 3

TYPE 4

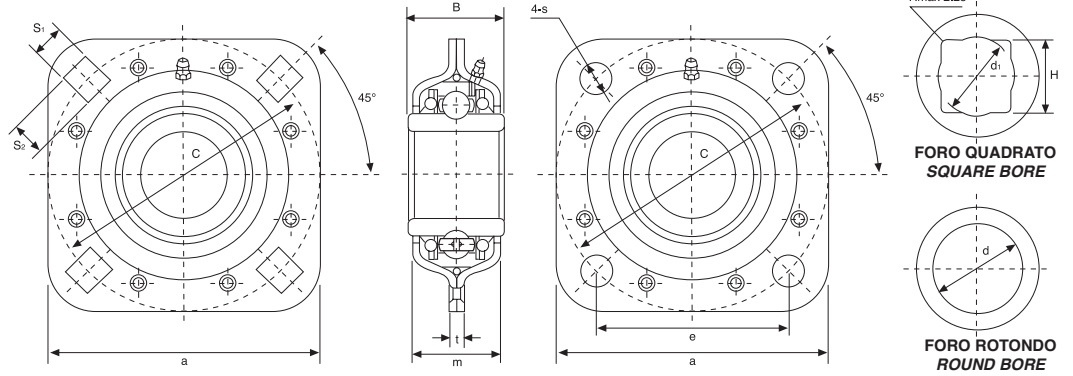
Designation <i>Sigla</i>	Type <i>Tipo</i>	Dimensions - <i>Dimensioni</i>				Bearings interchange <i>Intercambiabilità cuscinetti</i>		
		d	D	Be	Bi	BCA	LINK-BELT	NTN
		[mm] [inch]						
G209KPPB2*	4	1.5010	3.3465	0.7480	1.1810			
		38.125	85.000	19.000	30.000			
G5209KYB2**		1.5010	3.3465	1.1811	1.2992			
		38.125	85.000	30.000	33.000			
209KRRB2	2	15.010	33.465	0.7480	11.810	HPS108GPH	24K209N	2AH09-1 1/2
		38.125	85.000	19.000	30.000			
210PPB20	3	1.2550	3.5433	0.8661	1.4350			
		31.877	90.000	22.000	36.450			
210PP20	3	1.2550	3.5433	0.8661	1.435			
		31.877	90.000	22.000	36.450			
G210KPPB2*	4	1.5010	3.5433	0.8661	1.1811			
		38.125	90.000	22.000	30.000			
GC211-32-NLC*	3	1.7510	3.9370	0.9840	2.2500			
		44,175	100.000	25.000	57.150			


**TYPE 1**

**TYPE 2**
**TYPE 3**
**TYPE 4**

Designation <i>Sigla</i>	Type <i>Tipo</i>	Dimensions - <i>Dimensioni</i>				Bearings interchange <i>Intercambiabilità cuscinetti</i>		
		d	D	Be	Bi	BCA	LINK-BELT	NTN
		[mm] [inch]						
203KR2	3	0.6253	1.5748	0.5510	0.4724			
		15.883	40.000	14.000	12.000			
BB203KRR2*	1	0.6400	1.5748	0.7200	0.4724	203RRAR10N2		
		16.260	40.000	18.288	12.000			
203KRR2	1	0.6400	15.748	0.7200	0.4724	203RRAR10	123115	
		16.260	40.000	18.288	12.000			
BB203KRRFD**	4	0.6400	1.5748	0.7200	0.4724			
		16.260	40.000	18.288	12.000			
203KRR5	1	0.5150	1.5748	0.7200	0.4724	203RRAR8		
		13.081	40.000	18.288	12.000			
203KRR7	1	0.6693	1.5748	0.6540	0.4724			
		17.000	40.000	16.612	12.000			
207KPP	1	1.3780	2.8346	0.9840	0.6690			
		35.000	72.000	25.000	17.000			
208KRR2	1	1.5748	3.1496	1.0630	0.8270			
		40.000	80.000	27.000	21.000			



Normal duty - ST Serie normale



Type Tipo	Dimensions - Dimensioni												Load ratings (N) Coefficienti di carico (N)	
	H	d	a	B	m	t	C	s	s <sub>1</sub>	s <sub>2</sub>	d <sub>1</sub>	e	Dynamic C Dinamico C	Static C <sub>0</sub> Statico C <sub>0</sub>
	[mm]													
ST209-1½	29,972	-	127	42,8	42	6	127	13,5	13,5	17,45	32,0	-	24360	17710
ST209-30S	31,353	-	127	42,8	42	6	127	13,5	13,5	17,45	34,5	-	24360	17710
ST209-1¼	32,766	-	127	42,8	42	6	127	13,5	13,5	17,45	34,5	-	24360	17710
ST491B	-	38,860	127	42,8	42	6	127	13,5	13,5	17,45	-	-	24360	17710
ST209-40R	-	40,878	127	42,8	42	6	127	13,5	13,5	17,45	-	-	24360	17710
ST491A	-	45,000	127	42,8	42	6	127	13,5	13,5	17,45	-	90	24360	17710
ST209-45R	-	45,340	127	42,8	42	6	127	13,5	13,5	17,45	-	-	24360	17710
ST491A <sup>1)</sup>	-	45,000	121	46	42	6	121	13,5	-	-	-	85	24360	17710
ST211-1½	38,890	-	139,7	50,8	46	8	139,7	13,5	13,5	17,45	42,0	-	33370	25110
ST211-40S	40,878	-	139,7	50,8	46	8	139,7	13,5	13,5	17,45	43,1	-	33370	25110
ST211-50R	-	50,400	139,7	50,8	46	8	139,7	13,5	13,5	17,45	-	-	33370	25110
ST211-55R	-	55,575	139,7	50,8	46	8	139,7	13,5	13,5	17,45	-	-	33370	25110
ST211-1¾	-	45,212	139,7	55,6	46	8	139,7	13,5	13,5	17,45	-	-	33370	25110
ST211-2¾	-	55,575	139,7	55,6	46	8	139,7	13,5	13,5	17,45	-	-	33370	25110
ST211-1¼	-	49,238	139,7	69,9	46	8	139,7	13,5	13,5	17,45	-	-	33370	25110
ST211	-	55,000	139,7	55,6	46	8	139,7	13,5	13,5	17,45	-	-	33370	25110
ST740	-	55,562	139,7	55,6	45	7	139,7	13,5	13,5	17,45	-	98	33370	25110

<sup>1)</sup> Special dimensions - Dimensioni speciali  
Available on request with square fixing holes - Disponibile su richiesta con fori di fissaggio quadrati

ISB	PEER	FAFNIR	BCA	LINK-BELT	NTN
W208PPB2	W208PPB2	W208PPB2		24R6-208E3	2AC08-1 1/2
W208PP5	W208PP5	W208PP5	DC208TT5	18SB5-2E08E3	5AS08-1 1/8
W208PPB5	W208PPB5	W208PPB5	DS208TT5	18S5-2E08E3	1AS08-1 1/8
W208PP6	W208PP6	W208PP6	DC208TT6	16SB5-208E3	
W208PPB6	W208PPB6	W208PPB6	DS208TT6	16S5-208E3	1AS08-1
W208PPB7	W208PPB7	W208PPB7	DS208TT7	19R208E3	1AC08-1 3/16
W208PP8	W208PP8	W208PP8	DC208TT8	18SB2-2E08E3	6AS09-1 1/8
W208PPB8	W208PPB8	W208PPB8	DS208TT8	18S2-2E08E3	2AS08-1 1/8
W208PPB9	W208PPB9	W208PPB9	OS208TT9	16S2-208E3	2AS08-1 1/8
W208PP10	W208PP10	W208PP10	DC208TT10	24RB8-208E3	
W208PPB10	W208PPB10	W208PPB10			
W208PPB11	W208PPB11	W208PPB11	DS208TT11	14S4-208E3	4AS08-7/8
W208PPB12	W208PPB12	W208PPB12	DS208TT12	18S4-2E08E3	4AS08-1 1/8
W208PPB13	W208PPB13	W208PPB13	DS208TT13	14S 5-208E3	1AS08-7/8
W208PPB23	W208PPB23	W208PPB23	DS208TT2A		
GW208PPB5	GW208PPB5	GW208PPB5	DS208TTR21	18SG7-2E08E3	1AS08-1 5/3201
GW208PPB6	GW208PPB6	GW208PPB6	DS208TTR6	16SG7-208E3	
GW208PPB8	GW208PPB8	GW208PPB8	DS208TTR8	18SG2-2E08E3	2AS08-1 1/8 D1
GW208PP17	GW208PP17	GW208PP17	DC208TTR17		
GW208PPB17	GW208PPB17	GW208PPB17			
W209PPB2	W209PPB2	W209PPB2	DS209TT2	R3-209E3	
W209PPB4	W209PPB4	W209PPB4	DS209TT4	24R3-209E3	3AC09-1/2
W209PPB5	W209PPB5	W209PPB5	DS209TT5	20S2-209E3	2AS09-1 1/4
W209PPB6	W209PPB6	W209PPB6	DS209TT6	24R-209E3	
W209PPB7	W209PPB7	W209PPB7	DS209TT7	20S4-209E3	
W209PPB8	W209PPB8	W209PPB8	DS209TT8A		
GW209PPB2	GW209PPB2	GW209PPB2	DS209TTR2	RG3-209E3	3AC09D1
GW209PPB4	GW209PPB4	GW209PPB4	DS209TTR4	24RG3-209E3	3AC091 1/2 D1
GW209PPB5	GW209PPB5	GW209PPB5	DS209TTR5		
GW209PPB8	GW209PPB8	GW209PPB8	DS209TTR8	20SG5-209E3	
GW209PPB11	GW209PPB11	GW209PPB11	DS209TTR10		1AC09D1V1
W210PP2	W210PP2	W210PP2	DC210TT2	31RB3-210E3	7AC10-1 15/16
W210PPB2	W210PPB2	W210PPB2	DS210TT2	31R3-210E3	3AC10-1 15/16
W210PP4	W210PP4	W210PP4	DC210TT4	18SB3-210E3	7AS10-1 1/8
W210PPB4	W210PPB4	W210PPB4	DS210TT4	18S3-210E3	3AS10-1 3/4
W210PPB5	W210PPB5	W210PPB5	DS210TT5	28R3-210E3	3AC10-1 3/4
W210PPB6	W210PPB6	W210PPB6	OS210TT6	18S2-210E3	2AS10-1 1/8
W210PPB9	W210PPB9	W210PPB9			
GW210PPB2	GW210PPB2	GW210PPB2	DS210TTR2	31RG3-210E3	3AC10-1 15/16 D1
GW210PP4	GW210PP4	GW210PP4	DC210TTR4	18SBG3-210E3	7AS10-1 1/8 D1
GW210PPB4	GW210PPB4	GW210PPB4	DS210TTR4	18SG3-210E3	
GW210PPB5	GW210PPB5	GW210PPB5	DS210TTR5R	28RG3-210E3	3AC10-1 3/4 D1
W211PP2	W211PP2	W211PP2	DC211TT2	35RB3-211E3	7AC11-2 3/16
W211PPB2	W211PPB2	W211PPB2	DS211TT2	35R3-211E3	3AC11-2 3/16
W211PP3	W211PP3	W211PP3	DC211TT3	24SB3-211E3	7AS11-1 1/2
W211PPB3	W211PPB3	W211PPB3	DS211TT3	24S3-211E3	3AS11-1 1/2
W211PPB4	W211PPB4	W211PPB4	DS211TT4		
W211PP5	W211PP5	W211PP5	DC211TT5		6AS11-1 1/2 VI
W211PPB5	W211PPB5	W211PPB5			
W211PPB6	W211PPB6	W211PPB6	DS211TT6		4AS11-1 1/2

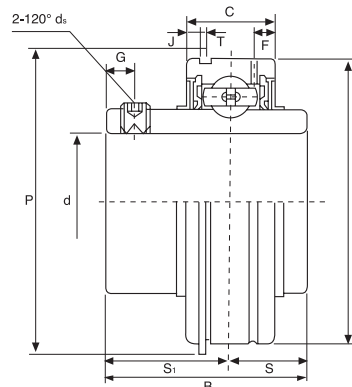


ISB	PEER	FAFNIR	BCA	LINK-BELT	NTN
GW211PP2	GW211PP2	GW211PP2	DC211TTR2	35RBG3-211E3	7AS11-1 1/2 D1
GW211PPB2	GW211PPB2	GW211PPB2	DS211TTR2	35RG3-211E3	3AC11-2 3/16 D1
GW211PP3	GW211PP3	GW211PP3	DC211TTR3	24SBG3-211E3	7AS11-1 1/2 D1
GW211PPB3	GW211PPB3	GW211PPB3	DS211TTR3	24SG3-211E3	3AS11-1 1/2 D1
GW211PP5	GW211PP5	GW211PP5			
GW211PPB9	GW211PPB9	GW211PPB9	DS211TTR9		
GW211PPB13	GW211PPB13	GW211PPB13	DS211TTR13		
GW211PP17	GW211PP17	GW211PP17	DC211TTR3E		
GW211PPB17	GW211PPB17	GW211PPB17			
GW211PP25	GW211PP25	GW211PP37	DC211TTR21		
GW214PP2	GW214PP2	GW214PP2	DC214TTR2		
GW214PPB2	GW214PPB2	GW214PPB2			3AC14D1
GW214PPB3	GW214PPB3		DS214TTR3		
GW214PPB4	GW214PPB4	GW214PPB4			3AS14-2DI
GW214PPB5	GW214PPB5	GW1214PPB5	DS214TTR5		
GW214PPB6	GW214PPB6		DS214TTRA		
GW216PP2	GW216PP2	GW216PP2	DC216TTR2		
RX84	RX84				
X365	X365				
202KRR3	202KRR3	202KRR3			
202NPP9	202NPP9	202NPP9	202FFH8		
202RRE	202RRE	J202KRR8	202KRR8		
CF5202-2RST-8	CF5202-2RST-8				DF0109LLPK1
203JD	203JD		203K		5X0366LUL
203KR2	203KR2	203KR2			
BB203KRR2	BB203KRR2	BB203KRR2	203RRAR10N2		
BB203KRR2FD	BB203KRR2FD				
203KRR2	203KRR2	203KRR2	203RRAR10	126115	
203KRR2FD	203KRR2FD				
203KRR3	203KRR3	203KRR3	8984YY	BS226119	
203KRR5	203KRR5	203KRR5	203RRAR8		
203KRR6	203KRR6	203KRR6	203RRH10		
203NPP9	203NPP9	2Q3NPP9			
5203KYY2	5203KYY2	5203KYY2			
Z9504-2RST	Z9504-2RST	P204RR6	204BBAR		SC0451IIC3
204KRR2	204KRR2	204KRR2	HPC01IGP	11KB204N	1AH04-11/16
204KRRB2	204KRRB2	204KRRB2		11K204N	
204KRR14	204KRR14	204KRR14			
204JY3	204JY3	204RY2	204FVMN		
204KRD4	204KRD4	204KRD4	204FGB		
204RR8	204RR8	204RR8	204BBE		
205KRP2	205KRP2	205KRP2	205RVA		
205KR3	205KR3	205KR3	205RHN		
205KP6	205KP6	205KP6	205TNJ		
205KP8	205KP8	205KP8	205-TNK		
205KPP2	205KPP2				
205KPPB2	205KPPB2				
205KRR2	205KRR2	205KRR2	HPC014GP	14KB205N	1AH05-7/8
205KRRB2	205KRRB2	205KRRB2	HPS014GP	14K205N	2AH05-7/8
205KRR7	205KRR7	205KRR7	205RRUN		
205KYY3	205KYY3	205KYY3	205-VVA		
G205PPB7	G205PPB7		205TTRH		
205PPB7	205PPB7	205PPB7	205TTH	BS217948N	

ISB	PEER	FAFNIR	BCA	LINK-BELT	NTN
205PP8	205PP8	205PP8			
205PP9	205PP9	205PP9	205TTB	BS225817	
205PP10	205PP10	205PP10			
205PP12	205PP12	205PP12	205TTP		
6205-2RST-22	6205-2RST-22	205PPB	S205FF		CS205LLU
206K14	206K14	206K14			
206KP2	206KP2	206KP2			
206KPP16	206KPP16	206KPP16	206GGH		
206KRR6	206KRR6	206KRR6	HPC100GP	16KB206N	1AH06-1
206KRRB6	206KRRB6	206KRRB6	HPS100GP	16K206N	2AH06-1
206KRP4	206KRP4	206KPR4			
206KPPB5	206KPPB5	206KPPB5			
5206KPP3	5206KPP3	5206KPP3			
G207KPPB2	G207KPPB2	G207KPPB2	HPS102TR		
207KRR14	207KRR14	207KRR14			
207KRRB9	207KRRB9	207KRRB9	HPS102GP	18K207N	2AH07-1 1/8
207KRRB12	207KRRB12	207KRRB12	HPS102GPE		
207KYY	207KYY	207 KYY			
88107	88107	207KRR3	88107		
GW208PPB22	GW208PPB22	GVV208PPB22			
W208K2	W208K2	W208K2			DC208-TT2
W208K3	W208K3	W208K3			DC208
W208KRRB6	W208KRRB6	W208KRRB6	HPS106GPN		
W208PPB16	W208PPB16	W208PPB16	HPS104TP	20K5-208E3	A2AH08-1 1/4V2
208KRR4	208KRR4	208KRR4			
G209KPPB2	G209KPPB2				
209KRRB2	209KRRB2	209KRRB2	HPS108GPH	24K209N	2AH09-1 1/^2
GW209PPB22-BR209RH	GW209PPB22-BR209RH		CDS209TTR6P		
G5209KYYB2	G5209KYYB2				
GC211-32-NLC	GC211-32-NLC	GC1200KPPB2			
GW211PPB21-BR211RH	GW211PPB21-BR211RH		CDS211TTR23		
W213-8445	W213-8445		8445		

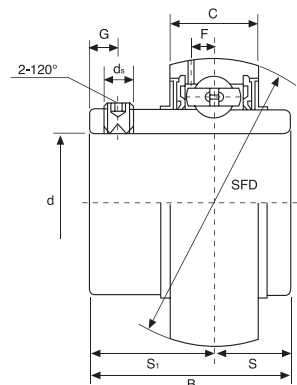


Standard duty - SER2 Serie normale



UNF suffix: inch sizes set screws  
 Suffisso UNF: Misure in pollici dei grani di bloccaggio

Type Tipo	Dimensions - Dimensioni												Load ratings (N) Coefficienti di carico (N)		Weight Peso kg
	d	D	B	C	S	S <sub>1</sub>	T	F	J	P	G	d <sub>s</sub>	Dynamic C Dinamico C	Static C <sub>0</sub> Statico C <sub>0</sub>	
[mm] [inch]															
SER204	20	47	31	15,9	10,3	20,7	1,12	3,8	2,46	52,7	4,8	M6x1	9880	6200	0,21
SER204-12	¾	1,8504	1,2205	0,6260	0,406	0,815	0,044	0,150	0,097	2,075	0,189	¼-28UNF			
SER205	25	52	34,9	19	13,1	21,8	1,12	5,2	2,46	57,9	5	M6x1	10780	6980	0,27
SER205-13	1⅜	2,0472	1,3740	0,7480	0,516	0,858	0,044	0,205	0,097	2,280	0,197	¼-28UNF			
SER205-14	7/8														
SER205-15	1⅝														
SER205-16	1														
SER206	30	62	38,1	22,2	15,9	22,2	1,7	5,6	3,28	67,7	5	M6x1	14970	10040	0,39
SER206-17	1⅞	2,4409	1,5000	0,8740	0,626	0,874	0,067	0,220	0,129	2,665	0,197	¼-28UNF			
SER206-18	1⅞														
SER206-19	1⅜														
SER206-20	1¼														
SER207	35												72	42,9	23,8
SER207-20	1¼	2,8346	1,6890	0,9370	0,689	1,000	0,067	0,220	0,129	3,094	0,264	5/16-24UNF			
SER207-21	1⅝														
SER207-22	1⅞														
SER207-23	1⅞														
SER208	40												80	49,2	27,8
SER208-24	1½	3,1496	1,9370	1,0945	0,748	1,189	0,067	0,252	0,129	3,409	0,315	5/16-24UNF			
SER208-25	1⅝														
SER209	45												85	49,2	27,8
SER209-26	1⅞	3,3465	1,9370	1,0945	0,748	1,189	0,067	0,252	0,129	3,606	0,315	5/16-24UNF			
SER209-27	1⅝														
SER209-28	1¾														
SER210	50												90	51,6	28,6
SER210-29	1⅞	3,5433	2,0315	1,1260	0,748	1,283	0,097	0,295	0,129	3,799	0,394	3/8-24UNF			
SER210-30	1⅞														
SER210-31	1⅝														
SER210-32	2														
SER211	55												100	55,6	30,2
SER211-32	2	3,9370	2,1890	1,1890	0,874	1,315	0,097	0,295	0,129	4,193	0,394	3/8-24UNF			
SER211-33	2⅞														
SER211-34	2⅞														
SER211-35	2⅝														
SER212	60												110	65,1	31,8
SER212-36	2¼	4,3307	2,5630	1,2520	1,000	1,563	0,097	0,295	0,129	4,591	0,394	3/8-24UNF			
SER212-37	2⅝														
SER212-38	2⅝														
SER212-39	2⅞														

**Standard duty - UC2 Serie normale**


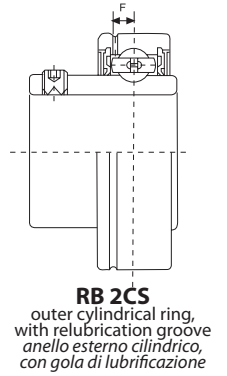
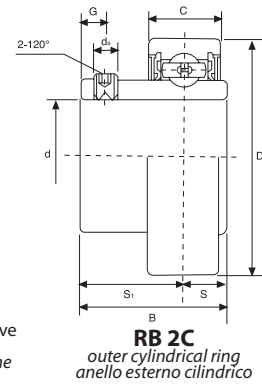
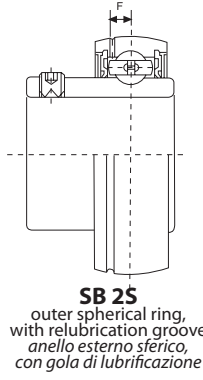
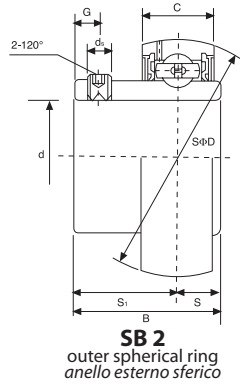
UNF suffix: inch sizes set screws  
 Suffisso UNF: Misure in pollici dei grani di bloccaggio

Type Tipo	Dimensions - Dimensioni									Load ratings (N) Coefficienti di carico (N)		Weight Peso kg
	d	D	B	C	S	S <sub>1</sub>	G	d <sub>s</sub>	F	Dynamic C Dinamico C	Static C <sub>0</sub> Statico C <sub>0</sub>	
[mm] [inch]												
<b>UC201</b> UC201-8	12 3/4	47 1,8504	31 1,2205	17 0,6693	12,7 0,500	18,3 0,720	4,8 0,189	M6x1 1/4-28UNF	3,7 0,146	12160	6318	0,20 0,19
<b>UC202</b> UC202-9 UC202-10	15 9/16 5/8	47 1,8504	31 1,2205	17 0,6693	12,7 0,500	18,3 0,720	4,8 0,189	M6x1 1/4-28UNF	3,7 0,146	12160	6318	0,19 0,19 0,19
<b>UC203</b> UC203-11	17 1 1/16	47 1,8504	31 1,2205	17 0,6693	12,7 0,500	18,3 0,720	4,8 0,189	M6x1 1/4-28UNF	3,7 0,146	12160	6318	0,18 0,17
<b>*UC204</b> UC204-12	20 3/4	47 1,8504	31 1,2205	17 0,6693	12,7 0,500	18,3 0,720	4,8 0,189	M6x1 1/4-28UNF	3,7 0,146	12160	6318	0,16 0,16
<b>*UC205</b> UC205-13 UC205-14 UC205-15 UC205-16	25 1 3/16 7/8 1 5/16 1	52 2,0472	34,1 1,3425	17 0,6693	14,3 0,563	19,8 0,780	5 0,197	M6x1 1/4-28UNF	3,9 0,154	13300	7457	0,20 0,24 0,23 0,21 0,20
<b>*UC206</b> UC206-17 UC206-18 UC206-19 UC206-20	30 1 1/16 1 1/8 1 3/16 1 1/4	62 2,4409	38,1 1,5000	19 0,7480	15,9 0,626	22,2 0,874	5 0,197	M6x1 1/4-28UNF	5,0 0,197	18525	10735	0,32 0,33 0,34 0,32 0,31
<b>*UC207</b> UC207-20 UC207-21 UC207-22 UC207-23	35 1 1/4 1 3/16 1 3/8 1 7/16	72 2,8346	42,9 1,6890	20 0,7874	17,5 0,689	25,4 1,000	7 0,276	M8x1 5/16-24UNF	5,7 0,224	24415	14630	0,48 0,54 0,51 0,48 0,45
<b>*UC208</b> UC208-24 UC208-25	40 1 1/2 1 3/8	80 3,1496	49,2 1,9370	21 0,8268	19 0,748	30,2 1,189	8 0,315	M8x1 5/16-24UNF	6,2 0,244	27645	16910	0,64 0,68 0,65
<b>*UC209</b> UC209-26 UC209-27 UC209-28	45 1 3/8 1 11/16 1 3/4	85 3,3465	49,2 1,9370	22 0,8661	19 0,748	30,2 1,189	8 0,315	M8x1 5/16-24UNF	6,4 0,252	32395	20235	0,68 0,78 0,74 0,70
<b>*UC210</b> UC210-29 UC210-30 UC210-31 UC210-32	50 1 13/16 1 7/8 1 15/16 2	90 3,5433	51,6 2,0315	24 0,9449	19 0,748	32,6 1,283	10 0,394	M10x1 3/8-24UNF	6,5 0,256	33345	22135	0,80 0,92 0,87 0,82 0,78
<b>*UC211</b> UC211-32 UC211-33 UC211-34 UC211-35	55 2 2 1/16 2 1/8 2 3/16	100 3,9370	55,6 2,1890	25 0,9843	22,2 0,874	33,4 1,315	10 0,394	M10x1 3/8-24UNF	7,0 0,276	41230	27930	1,11 1,26 1,20 1,15 1,09
<b>*UC212</b> UC212-36 UC212-37 UC212-38 UC212-39	60 2 1/4 2 3/16 2 3/8 2 7/16	110 4,3307	65,1 2,5630	27 1,0630	25,4 1,000	39,7 1,563	10 0,394	M10x1 3/8-24UNF	7,6 0,299	49780	34390	1,54 1,67 1,59 1,52 1,45
<b>UC213</b> UC213-40 UC213-41	65 2 1/2 2 3/8	120 4,7244	65,1 2,5630	28 1,1024	25,4 1,000	39,7 1,563	10 0,394	M10x1 3/8-24UNF	8,5 0,335	54340	38095	1,85 1,94 1,85
<b>UC214</b> UC214-42 UC214-43 UC214-44	70 2 3/8 2 11/16 2 3/4	125 4,9213	74,6 2,9370	29 1,1417	30,2 1,189	44,4 1,748	12 0,472	M12x1,5 7/16-20UNF	8,9 0,350	59090	41895	2,05 2,26 2,16 2,06
<b>UC215</b> UC215-45 UC215-46 UC215-47 UC215-48	75 2 13/16 2 7/8 2 15/16 3	130 5,1181	77,8 3,0630	30 1,1811	33,3 1,311	44,5 1,752	12 0,472	M12x1,5 7/16-20UNF	9,2 0,362	64030	45885	2,21 2,46 2,35 2,24 2,12
<b>UC216</b> UC216-49 UC216-50 UC216-51	80 3 1/16 3 1/8 3 3/16	140 5,5118	82,6 3,2520	32 1,2598	33,3 1,311	49,3 1,9409	12 0,472	M12x1,5 7/16-20UNF	9,5 0,374	69065	50350	2,80 2,98 2,85 2,72
<b>UC217</b> UC217-52 UC217-53 UC217-55	85 3 1/4 3 5/16 3 3/8	150 5,9055	85,7 3,3740	34 1,3386	34,1 1,343	51,6 2,031	12 0,472	M12x1,5 7/16-20UNF	10,2 0,402	79800	58805	3,46 3,68 3,54 3,25
<b>UC218</b> UC218-56	90 3 1/2	160 6,2992	96 3,7795	36 1,4173	39,7 1,5630	56,3 2,217	12 0,472	M12x1,5 7/16-20UNF	11,2 0,441	91295	67925	4,36 4,47

Available stainless steel AISI 440C or 420C - Disponibile in acciaio inox AISI 440C o 420C

\* Equipped with anti-rust shield star shape, screw with ball and burnished inner ring - Fornito con schermo antipolvere a stella, grano con sfera e anello interno brunito

Light duty - SB-RB2 Serie leggera

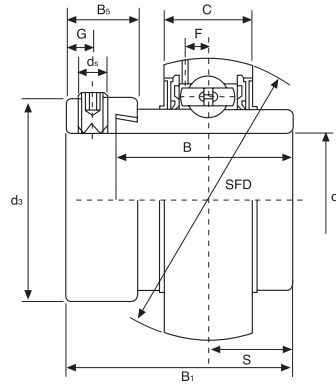


UNF suffix: inch sizes set screws  
Suffisso UNF: Misure in pollici dei grani di bloccaggio

Type Tipo	Dimensions - Dimensioni									Load ratings (N) Coefficienti di carico (N)		Weight Peso kg
	d	D	B	C	S	S <sub>1</sub>	d <sub>s</sub>	G	F	Dynamic C Dinamico C	Static C <sub>0</sub> Statico C <sub>0</sub>	
	[mm] [inch]											
<b>SB-RB201</b>	12	40	22	12	6	16	M5x0,8	4,5	3,7	9200	4480	0,10
SB-RB201-8	3/4	1,5748	0,8661	0,4724	0,236	0,630	10-32UNF	0,177	0,146			0,10
<b>SB-RB202</b>	15	40	22	12	6	16	M5x0,8	4,5	3,7	9200	4480	0,10
SB-RB202-9	9/16	1,5748	0,8661	0,4724	0,236	0,630	10-32UNF	0,177	0,146			0,10
SB-RB202-10	5/8	1,5748	0,8661	0,4724	0,236	0,630	10-32UNF	0,177	0,146	0,10		
<b>SB-RB203</b>	17	40	22	12	6	16	M5x0,8	4,5	3,7	9200	4480	0,09
SB-RB203-11	11/16	1,5748	0,7520	0,4724	0,256	1/4-28UNF	0,189	0,531	0,146			0,09
<b>SB-RB204</b>	20	47	25	14	7	18	M6x1	4,5	3,7	12200	6300	0,13
SB-RB204-12	3/4	1,8504	0,9843	0,5512	0,276	0,709	1/4-28UNF	0,177	0,146			0,14
<b>SB-RB205</b>	25	52	27	15	7,5	19,5	M6x1	5,5	3,9	13300	7460	0,16
SB-RB205-13	13/16											0,19
SB-RB205-14	7/8	2,0472	1,0630	0,5906	0,295	0,768	1/4-28UNF	0,217	0,154			0,18
SB-RB205-15	15/16											0,17
SB-RB205-16	1											0,16
<b>SB-RB206</b>	30	62	30	16	8	22	M6x1	6	5,0	18500	10800	0,25
SB-RB206-17	1 1/16											0,28
SB-RB206-18	1 1/8	2,4409	1,1811	0,6299	0,315	0,866	1/4-28UNF	0,236	0,197			0,26
SB-RB206-19	1 3/16											0,25
SB-RB206-20	1 1/4											0,24
<b>SB-RB207</b>	35	72	32	17	8,5	23,5	M8x1	6,5	5,7	24500	14600	0,38
SB-RB207-20	1 1/4											0,43
SB-RB207-21	1 3/16	2,8346	1,2598	0,6693	0,335	0,925	5/16-24UNF	0,256	0,224			0,41
SB-RB207-22	1 3/8											0,38
SB-RB207-23	1 7/16											0,37
<b>SB-RB208</b>	40	80	34	18	9	25	M8x1	7	6,2	27700	17000	0,60
SB-RB208-24	1 1/2	3,1496	1,3386	0,7087	0,354	0,984	5/16-24UNF	0,276	0,244			0,58
SB-RB208-25	1 5/8											0,60
<b>SB-RB209</b>	45	85	41,2	19	10,2	31	M8x1	8,2	6,4	31100	24450	0,8
SB-RB209-26	1 3/8											
SB-RB209-27	1 13/16	3,3465	1,6220	0,7480	0,402	1,220	5/16-24UNF	0,323	0,252			
SB-RB209-28	1 3/4											
<b>SB-RB210</b>	50	90	43,5	20	10,9	32,6	M10x1	9,2	6,5	35300	28160	0,8
SB-RB210-29	1 13/16											
SB-RB210-30	1 7/8	3,5433	1,7126	0,7874	0,429	1,283	3/8-24UNF	0,362	0,256			
SB-RB210-31	1 15/16											
SB-RB210-32	2											
<b>SB-RB211</b>	55	100	45,3	21	11,8	33,5	M10x1	9,8	7,0	38100	30000	1,1
SB-RB211-32	2											
SB-RB211-33	2 1/16	3,9370	1,7835	0,8268	0,465	1,319	3/8-24UNF	0,386	0,276			
SB-RB211-34	2 1/8											
SB-RB211-35	2 3/16											
<b>SB-RB212</b>	60	110	53,7	22	14,9	38,8	M10x1	9,8	7,6	41500	32730	1,3
SB-RB212-36	2 1/4											
SB-RB212-37	2 5/16	4,3307	2,1142	0,8661	0,587	1,528	3/8-24UNF	0,386	0,299			
SB-RB212-38	2 3/8											
SB-RB212-39	2 7/16											

Available stainless steel AISI 440C or 420C - Disponibile in acciaio inox AISI 440C o 420C



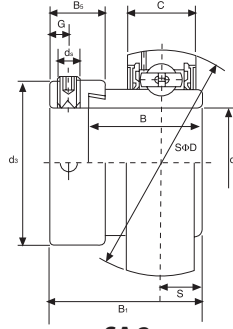
**Standard duty - UC2 Serie normale**


UNF suffix: inch sizes set screws  
 Suffisso UNF: Misure in pollici dei grani di bloccaggio

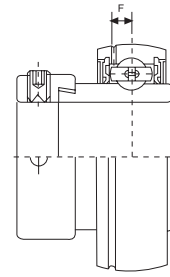
Type Tipo	Dimensions - Dimensioni											Load ratings (N) Coefficienti di carico (N)		Weight Peso
	d	D	B <sub>1</sub>	B	C	S	d <sub>s</sub>	G	B <sub>s</sub>	d <sub>s</sub>	F	Dynamic C Dinamico C	Static C <sub>0</sub> Statico C <sub>0</sub>	
	[mm] [inch]													kg
<b>HC204</b>	<b>20</b>	47	43,7	34,2	17	17,1	M6x1	4,8	13,5	33,3	3,7	12160	6318	
HC204-12	¾	1,8504	1,720	1,3465	0,6693	0,673	¼-28UNF	0,189	0,531	1,311	0,146			0,23
<b>HC205</b>	<b>25</b>	52	44,4	34,9	17	17,5	M6x1	4,8	13,5	38,1	3,9	13300	7457	0,27
HC205-13	1⅜	2,0472	1,748	1,3740	0,6693	0,689	¼-28UNF	0,189	0,531	1,500	0,154			0,32
HC205-14	7/8													0,31
HC205-15	15/16													0,29
HC205-16	1													0,27
<b>HC206</b>	<b>30</b>	62	48,4	36,5	19	18,3	M8x1	6	15,9	44,5	5,0	18525	10735	0,45
HC206-17	1⅙	2,4409	1,906	1,4370	0,7480	0,720	5/16-24UNF	0,236	0,626	1,752	0,197			0,50
HC206-18	1⅝													0,47
HC206-19	13/16													0,45
HC206-20	1¼													0,42
<b>HC207</b>	<b>35</b>	72	51,1	37,6	20	18,8	M8x1	6,8	17,5	55,6	5,7	24415	14630	0,60
HC207-20	1¼	2,8346	2,012	1,4803	0,7874	0,740	5/16-24UNF	0,268	0,689	2,189	0,224			0,67
HC207-21	13/16													0,63
HC207-22	13/8													0,60
HC207-23	17/16													0,57
<b>HC208</b>	<b>40</b>	80	56,3	42,8	21	21,4	M8x1	6,8	18,3	60,3	6,2	27645	16910	0,79
HC208-24	1½	3,1496	2,217	1,6850	0,8268	0,843	5/16-24UNF	0,268	0,720	2,374	0,244			0,84
HC208-25	19/16													0,80
<b>HC209</b>	<b>45</b>	85	56,3	42,8	22	21,4	M8x1	6,8	18,3	63,5	6,4	32395	20235	0,85
HC209-26	1⅝	3,3465	2,217	1,6850	0,8661	0,843	5/16-24UNF	0,268	0,720	2,5000	0,252			0,96
HC209-27	11/16													0,91
HC209-28	13/4													0,87
<b>HC210</b>	<b>50</b>	90	62,7	49,2	24	24,6	M8x1	6,8	18,3	69,9	6,5	33345	22135	0,99
HC210-29	13/16	3,5433	2,469	1,9370	0,9449	0,969	5/16-24UNF	0,268	0,720	2,752	0,256			1,14
HC210-30	17/8													1,08
HC210-31	11/16													1,02
HC210-32	2													0,96
<b>HC211</b>	<b>55</b>	100	71,4	55,5	25	27,8	M10x1	8	20,7	76,2	7,0	41230	27930	1,32
HC211-32	2	3,9370	2,811	2,1850	0,9843	1,094	3/8-24UNF	0,315	0,815	3,000	0,276			1,52
HC211-33	21/16													1,44
HC211-34	21/8													1,37
HC211-35	23/16													1,29
<b>HC212</b>	<b>60</b>	110	77,8	61,9	27	31	M10x1	8	22,3	84,2	7,6	49780	34390	1,88
HC212-36	2¼	4,3307	3,063	2,4370	1,0630	1,220	3/8-24UNF	0,315	0,878	3,315	0,299			2,04
HC212-37	23/16													1,95
HC212-38	23/8													1,90
HC212-39	27/16													1,77
<b>HC213</b>	<b>65</b>	120	85,7	68,6	28	34,1	M10x1	8,5	23,5	86	8,5	54340	38095	2,41
HC213-40	2½	4,7244	3,374	2,7008	1,1024	1,343	3/8-24UNF	0,335	0,925	3,386	0,335			2,51
HC213-41	29/16													2,40
<b>HC214</b>	<b>70</b>	125	85,7	68,6	29	34,1	M10x1	8,5	23,5	90	8,9	59090	41895	2,55
HC214-42	25/8	4,9213	3,374	2,7008	1,1417	1,343	3/8-24UNF	0,335	0,925	3,543	0,350			2,79
HC214-43	211/16													2,68
HC214-44	2¾													2,56
<b>HC215</b>	<b>75</b>	130	92,1	75	30	37,3	M10x1	8,5	23,5	102	9,2	64030	45885	2,84
HC215-45	213/16	5,1181	3,626	2,9528	1,1811	1,469	3/8-24UNF	0,335	0,925	4,016	0,362			3,14
HC215-46	27/8													3,01
HC215-47	215/16													2,88
HC215-48	3											2,74		

Available stainless steel AISI 440C or 420C - Disponibile in acciaio inox AISI 440C o 420C

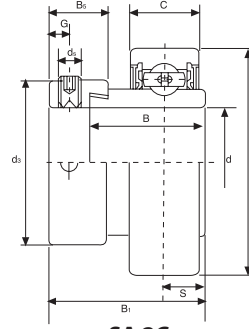
Light duty - SA2 Serie leggera



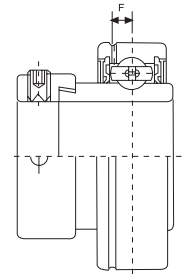
**SA 2**  
outer spherical ring  
anello esterno sferico



**SA 2S**  
outer spherical ring,  
with relubrication groove  
anello esterno sferico,  
con gola di lubrificazione



**SA 2C**  
outer cylindrical ring  
anello esterno cilindrico



**SA 2CS**  
outer cylindrical ring,  
with relubrication groove  
anello esterno cilindrico,  
con gola di lubrificazione

UNF suffix: inch sizes set screws  
Suffisso UNF: Misure in pollici dei grani di bloccaggio

Type Tipo	Dimensions - Dimensioni											Load ratings (N) Coefficienti di carico (N)		Weight Peso kg
	d	D	B <sub>1</sub>	B	C	S	d <sub>s</sub>	G	B <sub>s</sub>	d <sub>s</sub>	F	Dynamic C Dinamico C	Static C <sub>0</sub> Statico C <sub>0</sub>	
	[mm] [inch]													
<b>SA201</b>	12	40	28,6	19,1	12	6,5	M6x1	4,8	13,5	28,6	3,7	9200	4480	0,12
SA201-8	3/4	1,5748	1,126	0,7520	0,4724	0,256	1/4-28UNF	0,189	0,531	1,126	0,146			
<b>SA202</b>	15	40	28,6	19,1	12	6,5	M6x1	4,8	13,5	28,6	3,7	9200	4480	0,10
SA202-9	5/8	1,5748	1,126	0,7520	0,4724	0,256	1/4-28UNF	0,189	0,531	1,126	0,146			
SA202-10	5/8	1,5748	1,126	0,7520	0,4724	0,256	1/4-28UNF	0,189	0,531	1,126	0,146			0,10
<b>SA203</b>	17	40	28,6	19,1	12	6,5	M6x1	4,8	13,5	28,6	3,7	9200	4480	0,09
SA203-11	11/16	1,5748	1,126	0,7520	0,4724	0,256	1/4-28UNF	0,189	0,531	1,126	0,146			
<b>SA204</b>	20	47	31	21,5	14	7,5	M6x1	4,8	13,5	33,3	3,7	12200	6300	0,16
SA204-12	3/4	1,8504	1,220	0,8465	0,5512	0,295	1/4-28UNF	0,189	0,531	1,311	0,146			
<b>SA205</b>	25	52	31	21,5	15	7,5	M6x1	4,8	13,5	38,1	3,9	13300	7460	0,20
SA205-13	13/16													
SA205-14	7/8													
SA205-15	15/16	2,0472	1,220	0,8465	0,5906	0,295	1/4-28UNF	0,189	0,531	1,500	0,154			
SA205-16	1													
<b>SA206</b>	30	62	35,7	23,8	16	9	M8x1	6	15,9	44,5	5,0	18500	10800	0,30
SA206-17	1 1/16													
SA206-18	1 1/8													
SA206-19	1 3/16	2,4409	1,406	0,9370	0,6299	0,354	5/16-28UNF	0,236	0,626	1,752	0,197			
SA206-20	1 1/4													
<b>SA207</b>	35	72	38,9	25,4	17	9,5	M8x1	6,8	17,5	55,6	5,7	24500	14600	0,42
SA207-20	1 1/4													
SA207-21	1 3/16													
SA207-22	1 3/8	2,8346	1,531	1,000	0,6693	0,374	5/16-24UNF	0,268	0,689	2,189	0,224			
SA207-23	1 7/16													
<b>SA208</b>	40	80	43,7	30,2	18	11	M8x1	6,8	18,3	60,3	6,2	27700	17000	0,60
SA208-24	1 1/2													
SA208-25	1 5/16	3,1496	1,721	1,1890	0,7087	0,433	5/16-24UNF	0,268	0,720	2,374	0,244			
<b>SA209</b>	45	85	43,7	30,2	19	11	M8x1	6,8	18,3	63,5	6,4	31100	24450	0,76
SA209-26	1 3/8													
SA209-27	1 11/16	3,3465	1,721	1,1890	0,7480	0,433	5/16-24UNF	0,268	0,720	2,500	0,252			
SA209-28	1 3/4													
<b>SA210</b>	50	90	43,7	30,2	20	11	M8x1	6,8	18,3	69,9	6,5	35300	28160	0,91
SA210-29	1 13/16													
SA210-30	1 7/8	3,5433	1,721	1,1890	0,7874	0,433	5/16-24UNF	0,268	0,720	2,752	0,256			
SA210-31	1 15/16													
SA210-32	2													
<b>SA211</b>	55	100	48,4	32,5	21	12	M8x1	8	20,7	76,2	7,0	38100	30000	1,26
SA211-32	2													
SA211-33	2 1/16													
SA211-34	2 1/8	3,9370	1,906	1,2795	0,8268	0,472	5/16-24UNF	0,315	0,815	3,000	0,276			
SA211-35	2 3/16													
<b>SA212</b>	60	110	53,1	37,2	22	13,5	M10x1	8	22,3	84,2	7,6	41500	32730	1,70
SA212-36	2 1/4													
SA212-37	2 3/16													
SA212-38	2 3/8	4,3307	2,091	1,4646	0,8661	0,532	3/8-24UNF	0,315	0,878	3,315	0,299			
SA212-39	2 7/16													

Available stainless steel AISI 440C or 420C - Disponibile in acciaio inox AISI 440C o 420C





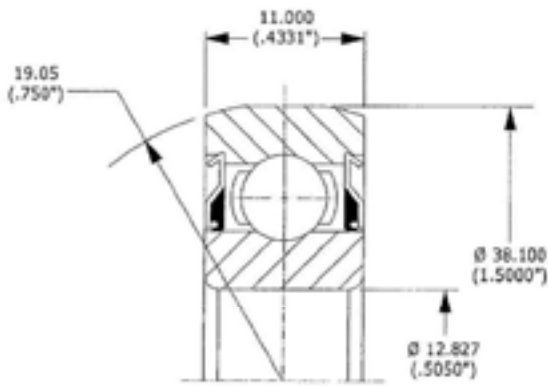


INDUSTRIES  
BEARINGS & COMPONENTS

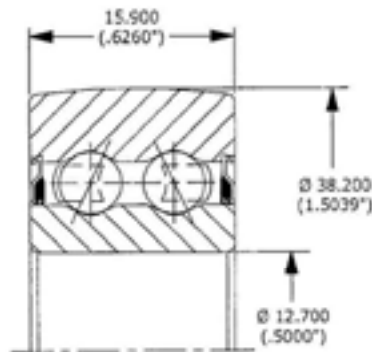
---

**SPECIAL BEARINGS**  
***CUSCINETTI SPECIALI***

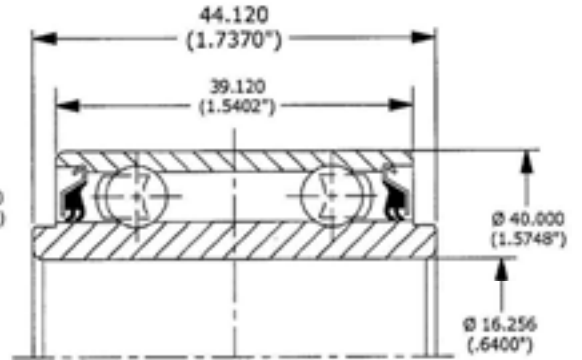




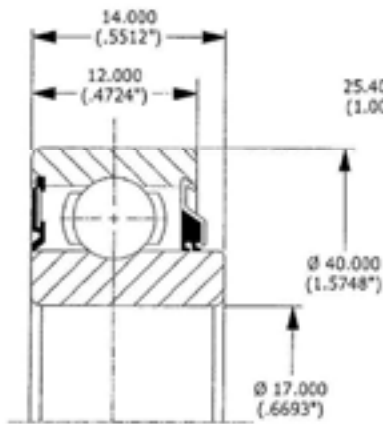
**202NPP9**



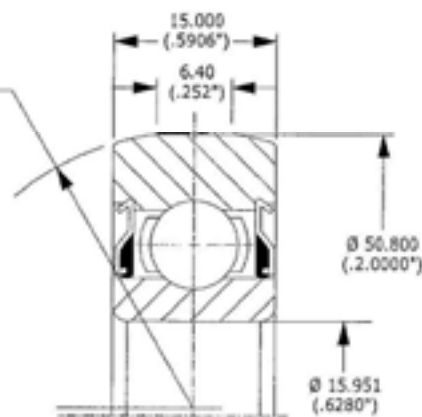
**CF5202-2RST-8**



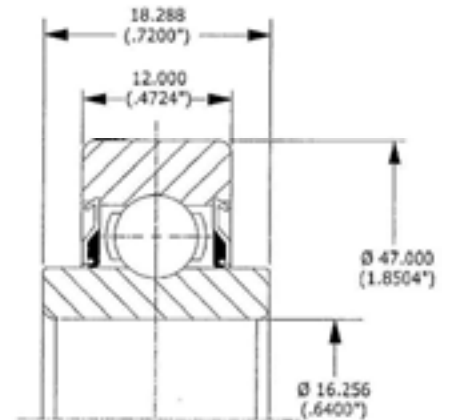
**5203KYY2**



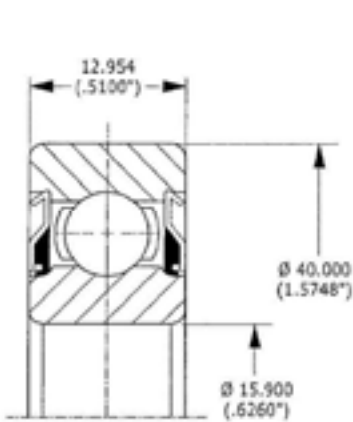
**203JD**



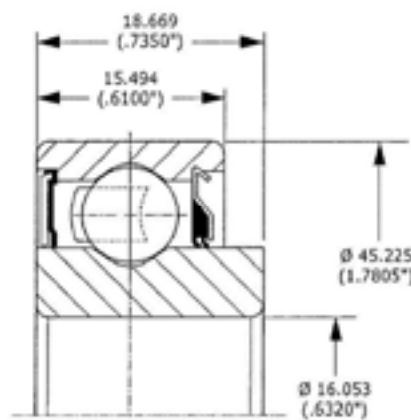
**203KRR3**



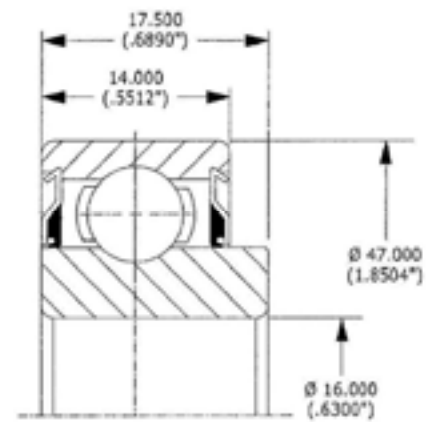
**203KRR6**



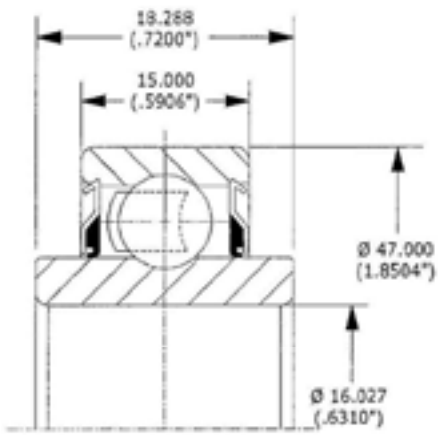
**203NPP9**



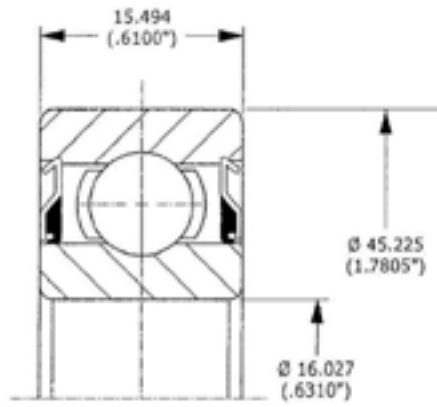
**204JY3**



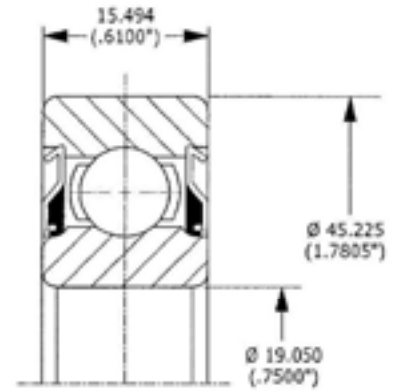
**204KRD4**



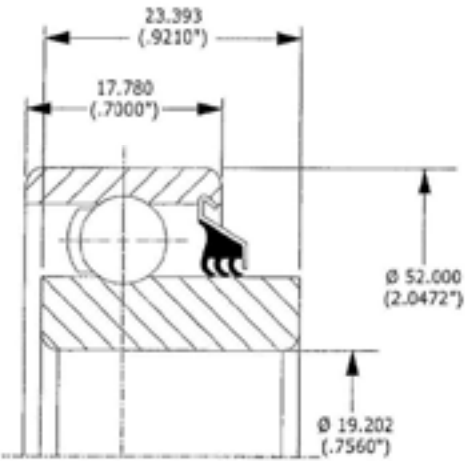
**204KRR14**



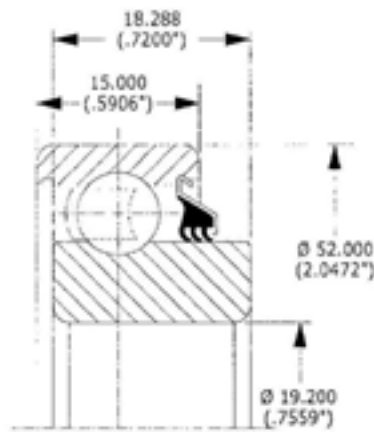
**204RR8**



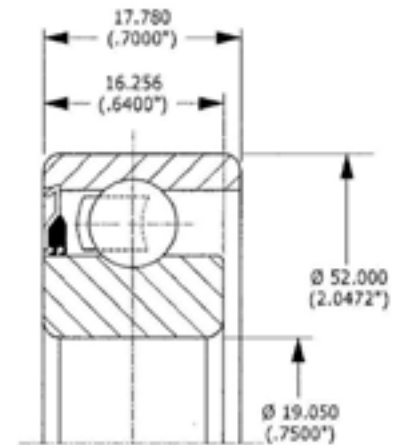
**Z9504-2RST**



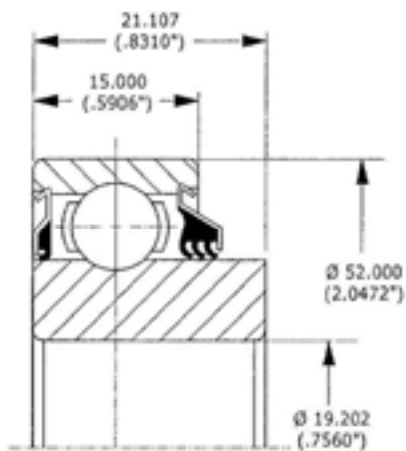
**205KP6**



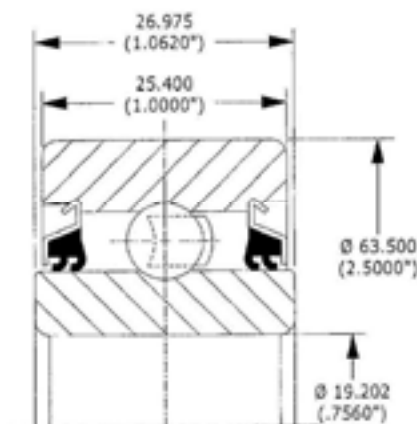
**205KP8**



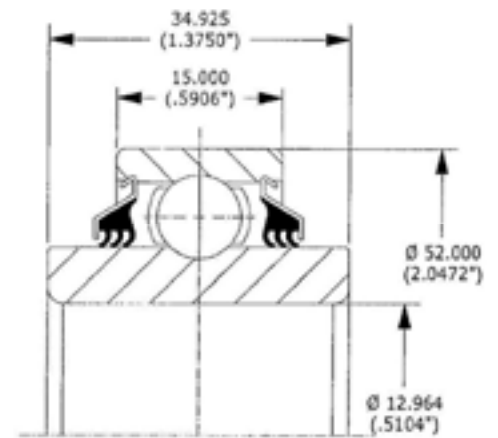
**205KR3**



**205KRP2**

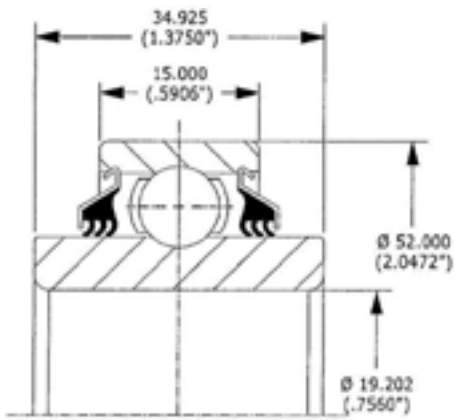


**205KYY3**

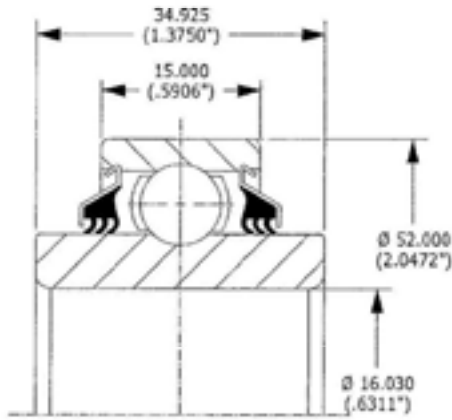


**205PP8**

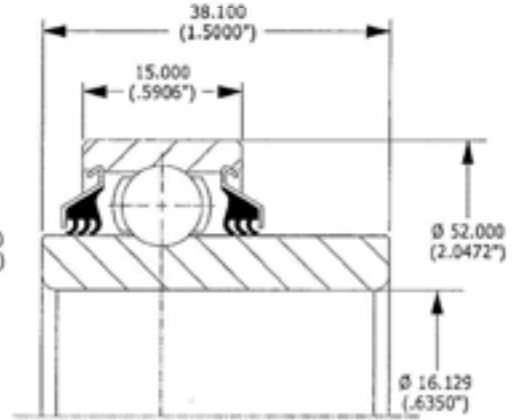




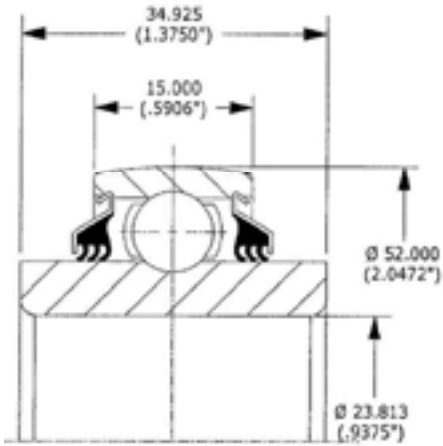
**205PP9**



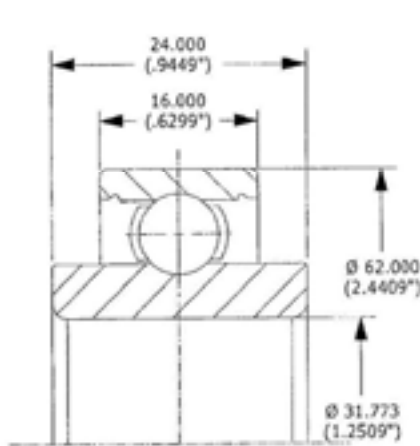
**205PP10**



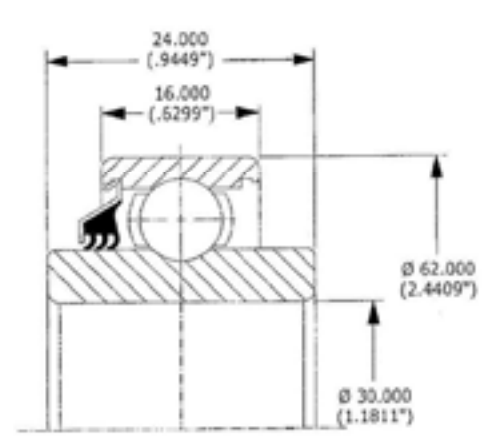
**205PP12**



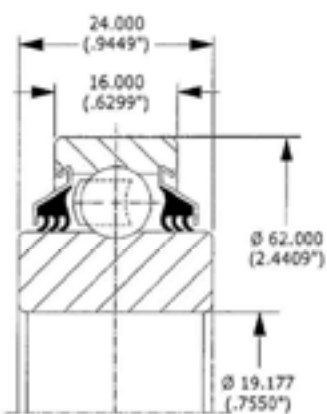
**205PPB7**



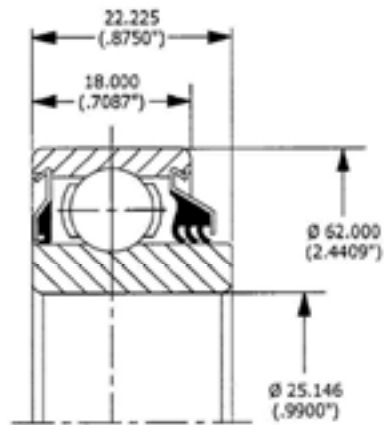
**206K14**



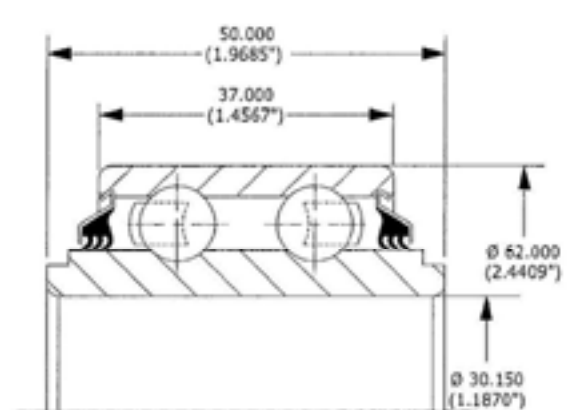
**206KP2**



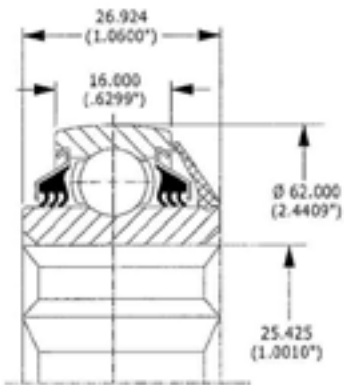
**206KPP16**



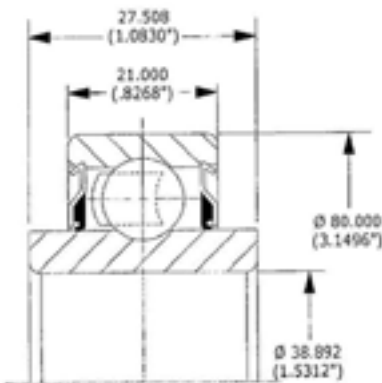
**206KRP4**



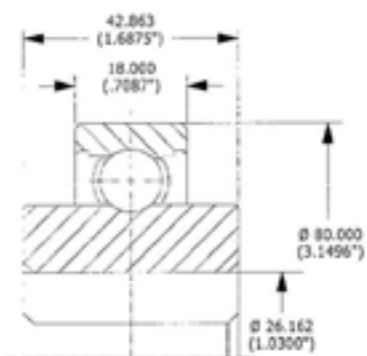
**5206KPP3**



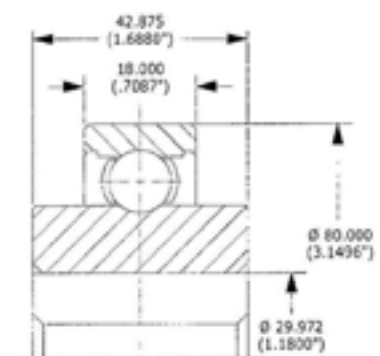
**206KPPB5**



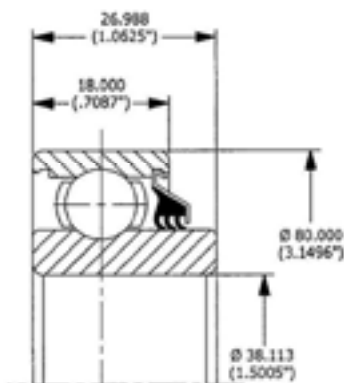
**207KRR14**



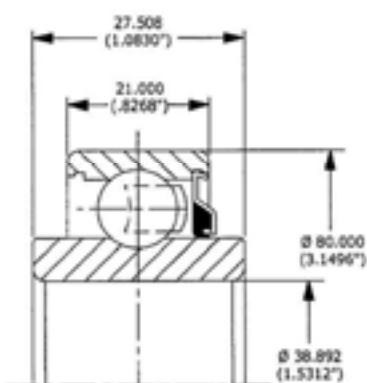
**207KYY**



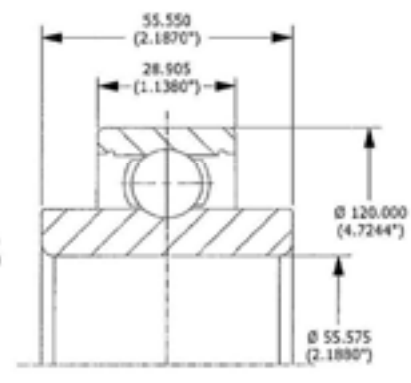
**208KRR4**



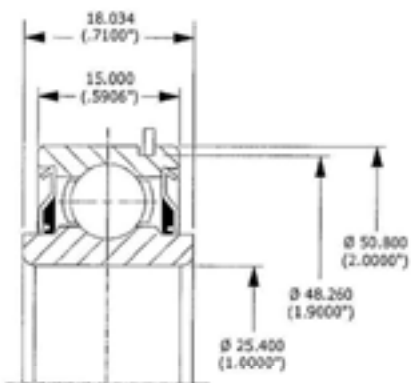
**W208K2**



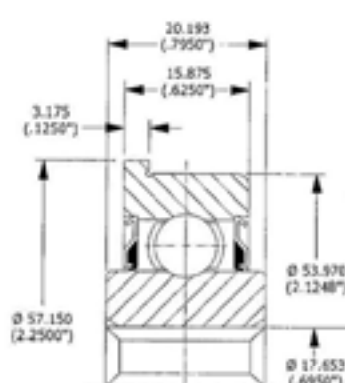
**W208K3**



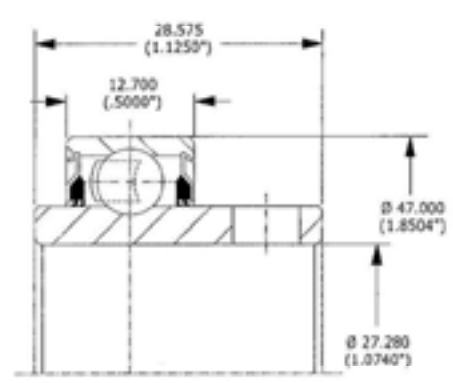
**208KP2**



**208KR4**



**W213-8445**



**X365**

**RX84**

**FHRL6005-BB9105**





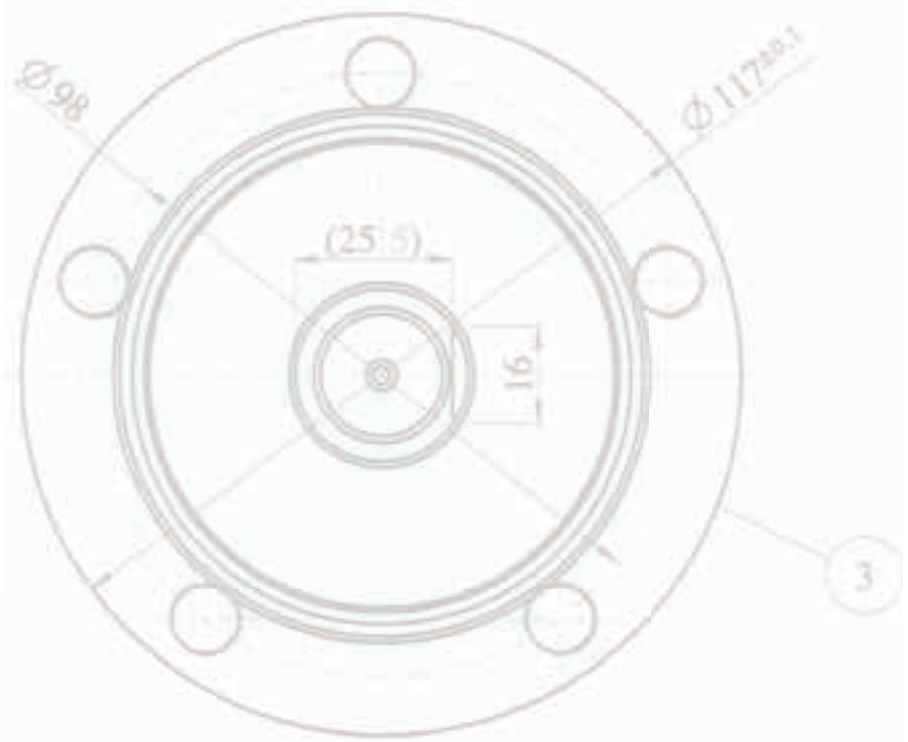


INDUSTRIES  
BEARINGS & COMPONENTS

---

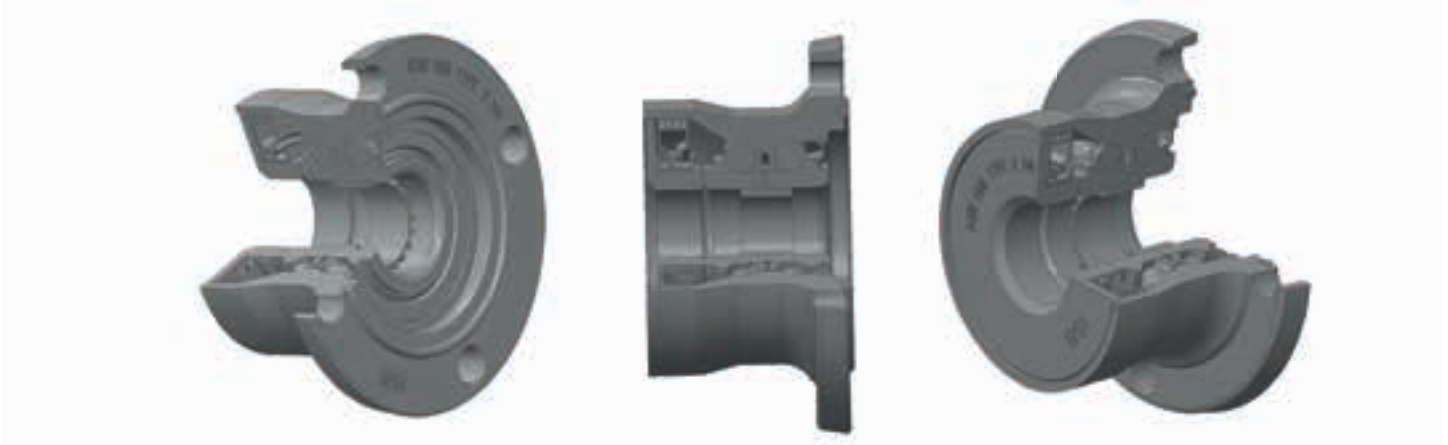
**AGRI HUB**  
***CUSCINETTI PER FRANGIZOLLE***





SECTION E-E





The ISB Agri Hub offers a virtually maintenance-free, unitized, sealed bearing unit with vital advantages for both end users and original equipment manufacturers.

Greased and sealed for life, the ISB Agri Hub reduces grease usage and the potential for grease spillage. Due to its high stiffness, the risk for disc tilt is minimized and machine reliability is further improved.

#### MAIN CHARACTERISTICS

- Anti contamination cap for disc replacement
- High performance sealing to prevent water, snow, mud, dust ingress
- Anti string system flange shape
- High capacity bearing with rigid design to withstand stock loads
- Anti straw, dust and stones labyrinth
- Plating corrosion resistant to jet cleaning and fertilizers

#### OEM BENEFITS

- Cut warranty, engineering, testing and assembly costs
- Increase product quality/reliability
- Differentiate designs
- Support sustainability efforts

#### END-USER BENEFITS:

- Increase bearing unit service life
- Reduce maintenance and ownership costs
- Install or replace quickly and easily
- Improve productivity

*I cuscinetti per frangizolle ISB sono unità cuscinetto con tenuta incorporata e praticamente a manutenzione zero, in grado di garantire straordinari vantaggi sia agli utenti che agli OEM.*

*Ingrassate e lubrificate a vita, le unità Agri Hub garantiscono una riduzione del consumo (risparmio del 90%) e delle potenziali perdite di grasso.*

#### CARATTERISTICHE PRINCIPALI

- Sistema di protezione da paglia, polvere ed urti di pietre
- Tenute per evitare infiltrazioni di acqua, neve, fango, polvere
- Rivestimento anti-corrosione resistente alla pulizia del getto e dei fertilizzanti
- Elevata resistenza ai carichi d'urto
- «Tappo anti contaminazione» che permette la sostituzione del disco
- Forma della flangia con sistema «anti-sterzo»

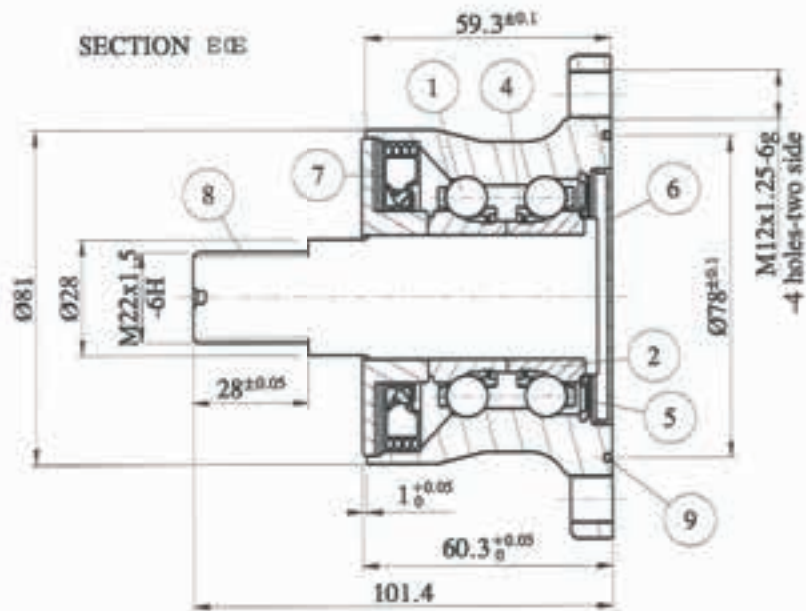
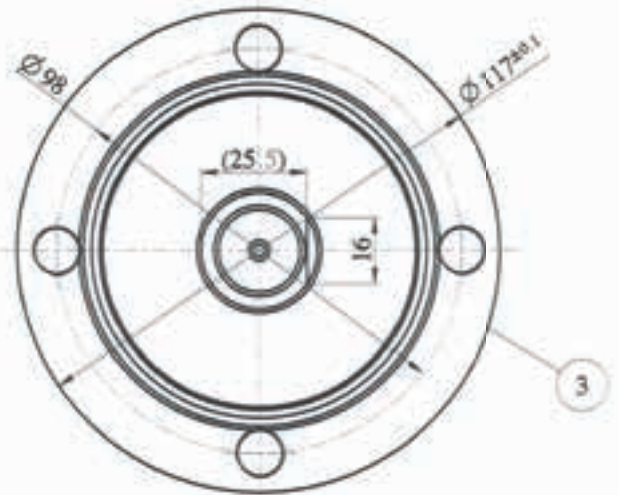
#### VANTAGGI PER OEM

- Abbattimento dei costi di garanzia, di progettazione, di collaudo e di montaggio
- Aumento della qualità/affidabilità dei prodotti
- Design diversificati
- Impegno a favore della sostenibilità

#### VANTAGGI PER UTENTI FINALI

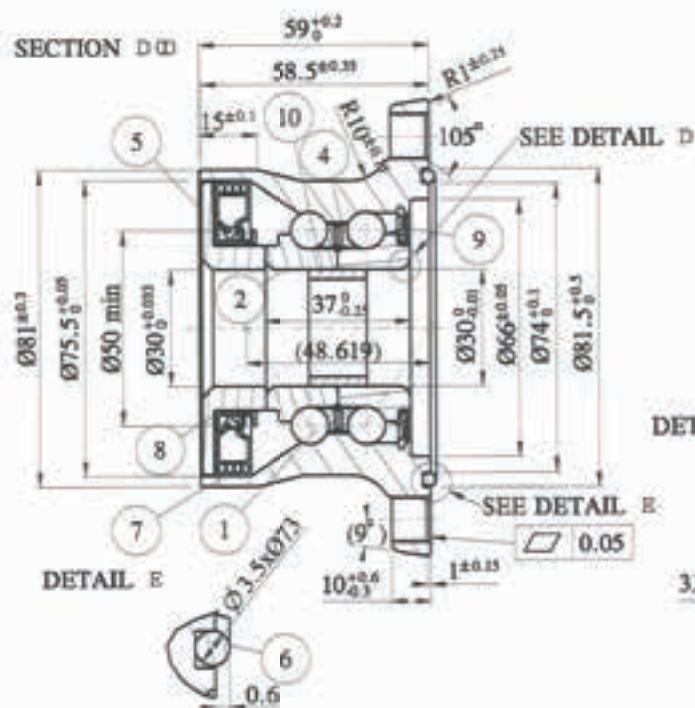
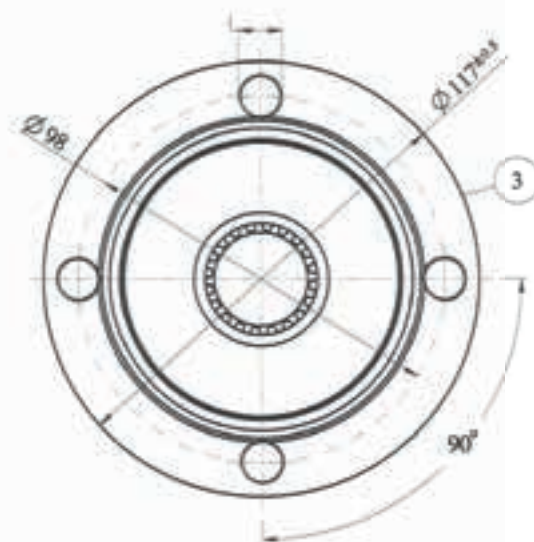
- Aumento della durata di esercizio dei cuscinetti
- Riduzione dei costi di manutenzione e proprietà
- Installazione o sostituzione semplice e rapida
- Ottimizzazione della produttività





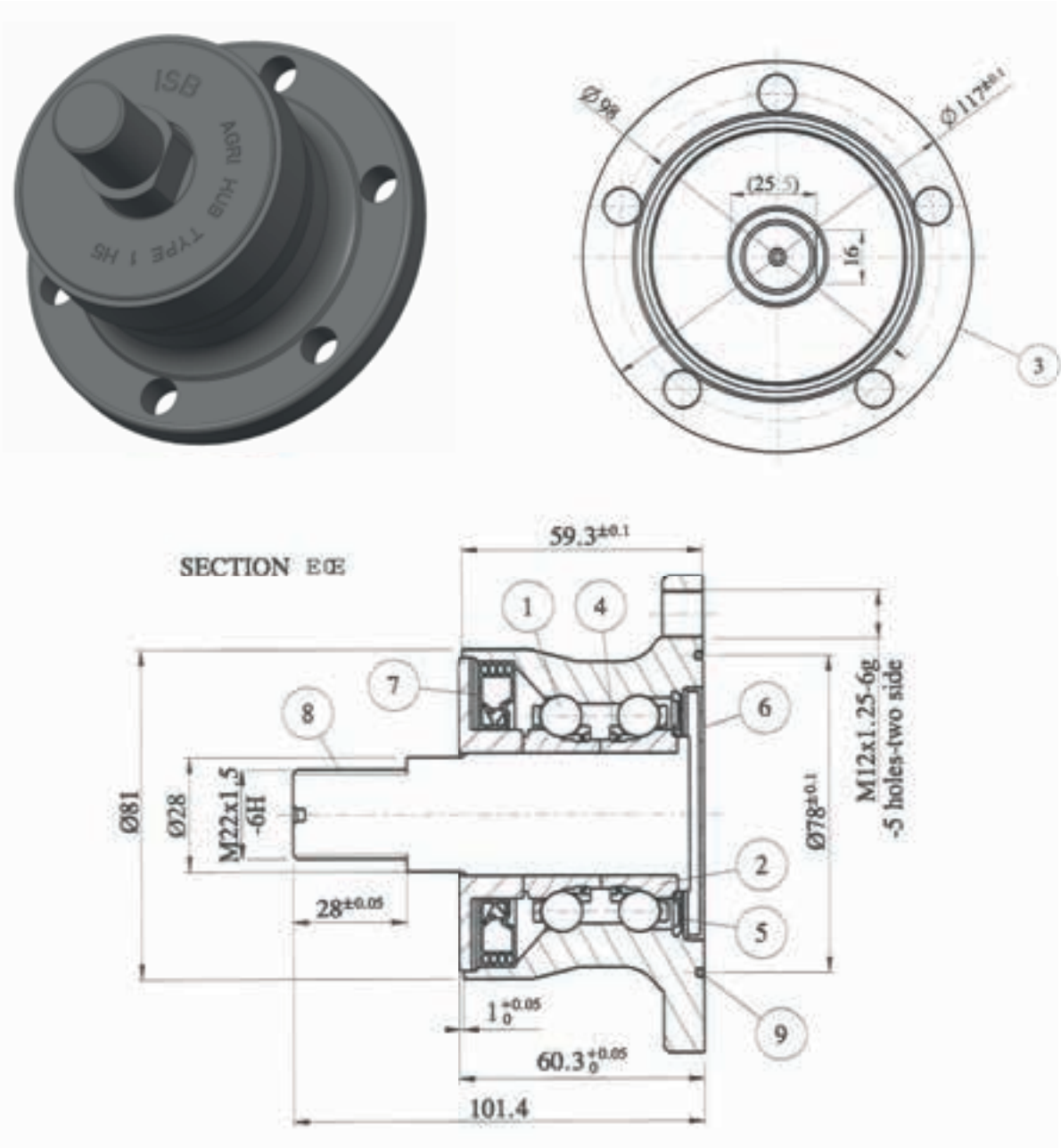
N°	Part Componente	Quantity Quantità	Material Materiale
1	Balls / Sfere	12x2	100Cr6
2	Inner Ring / Anello Interno	2	100Cr6
3	Outer Ring / Anello Esterno	1	Steel / Acciaio
4	Cage / Gabbia	2	PA66
5	Seal / Tenuta	1	NBR+Steel / NBR+Acciaio
6	Cover Board / Coperchio	1	Steel / Acciaio
7	Seal / Tenuta	1	NBR+Steel / NBR+Acciaio
8	Shaft / Albero	1	Steel / Acciaio
9	O-Ring / Anello di tenuta	1	NBR

Radial clearance Gioco radiale	Rated load Carico nominale	Grease quantity Quantità di grasso
[mm]	[kW]	
0,005 ÷ 0,025	Cr: 46,84 Cor: 36,66	7 ÷ 10,5



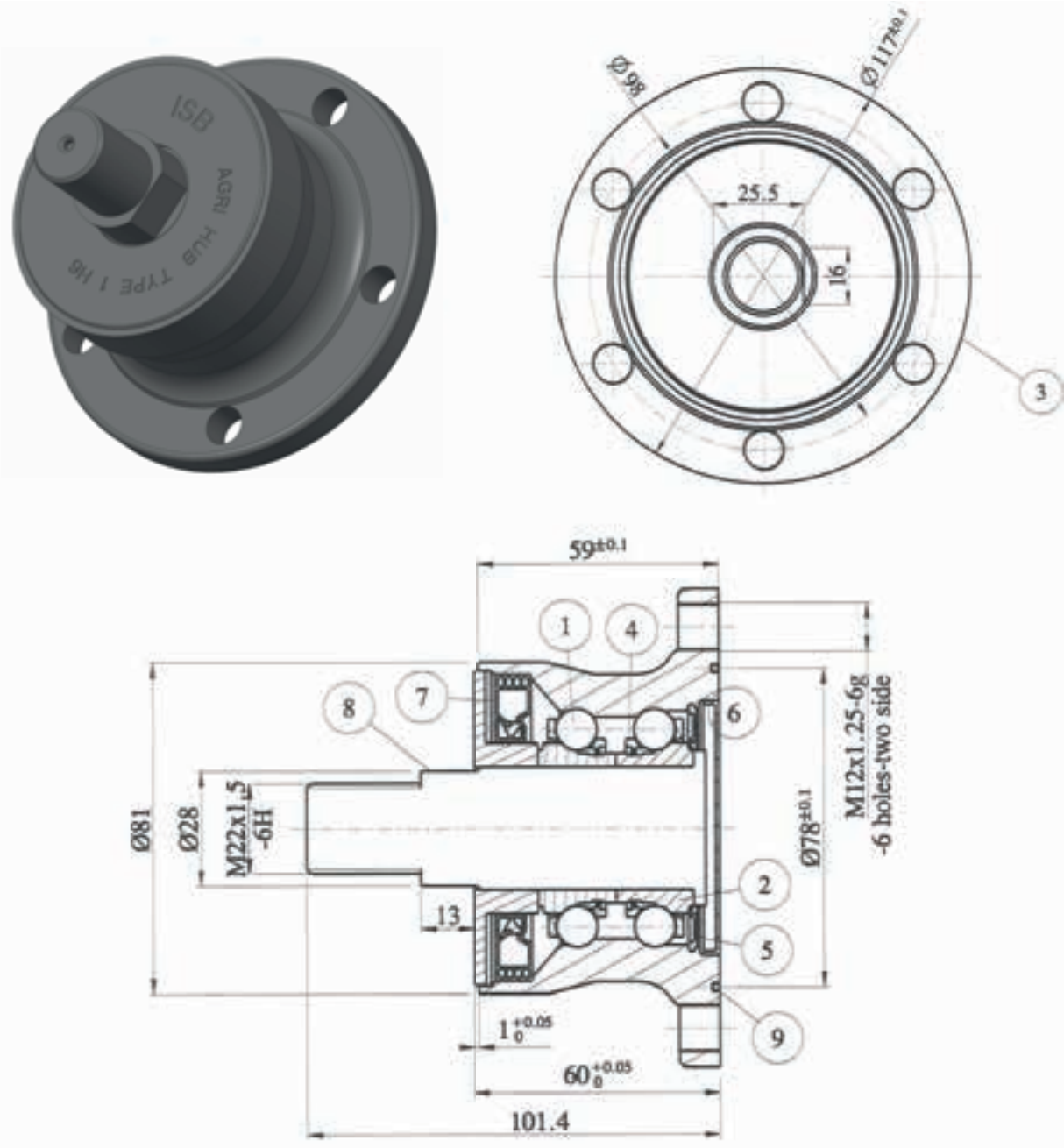
N°	Part Componente	Quantity Quantità	Material Materiale
1	Balls / Sfere	14x2	100Cr6
2	Inner Ring / Anello Interno	2	100Cr6
3	Outer Ring / Anello Esterno	1	100Cr6
4	Cage / Gabbia	2	PA66
5	Cover Board / Coperchio	1	Steel / Acciaio
6	O-Ring / Anello di tenuta	1	NBR
7	Seal / Tenuta	1	NBR+Steel / NBR+Acciaio
8	Seal / Tenuta	1	NBR+Steel / NBR+Acciaio
9	Seal / Tenuta	1	
10	Sleeves / Bussola	1	PA66

Radial clearance Gioco radiale	Rated load Carico nominale	Grease quantity Quantità di grasso
[mm]	[kW]	
0,005 ÷ 0,030	Cr: 36,3 Cor: 31,6	7 ÷ 10,5



N°	Part Componente	Quantity Quantità	Material Materiale
1	Balls / Sfere	12x2	100Cr6
2	Inner Ring / Anello Interno	2	100Cr6
3	Outer Ring / Anello Esterno	1	Steel / Acciaio
4	Cage / Gabbia	2	PA66
5	Seal / Tenuta	1	NBR+Steel / NBR+Acciaio
6	Cover Board / Coperchio	1	Steel / Acciaio
7	Seal / Tenuta	1	NBR+Steel / NBR+Acciaio
8	Shaft / Albero	1	Steel / Acciaio
9	O-Ring / Anello di tenuta	1	NBR

Radial clearance Gioco radiale	Rated load Carico nominale	Grease quantity Quantità di grasso
[mm]	[kW]	
0,005 ÷ 0,025	Cr: 46,84 Cor: 36,66	7 ÷ 10,5



N°	Part Componente	Quantity Quantità	Material Materiale
1	Balls / Sfere	12x2	100Cr6
2	Inner Ring / Anello Interno	2	100Cr6
3	Outer Ring / Anello Esterno	1	Steel / Acciaio
4	Cage / Gabbia	2	PA66
5	Seal / Tenuta	1	NBR+Steel / NBR+Acciaio
6	Cover Board/ Coperchio	1	Steel / Acciaio
7	Seal / Tenuta	1	NBR+Steel / NBR+Acciaio
8	Shaft / Albero	1	Steel / Acciaio
9	O-Ring / Anello di tenuta	1	NBR

Radial clearance Gioco radiale	Rated load Carico nominale	Grease quantity Quantità di grasso
[mm]	[kW]	
0,005 ÷ 0,025	Cr: 46,84 Cor: 36,66	7 ÷ 10,5







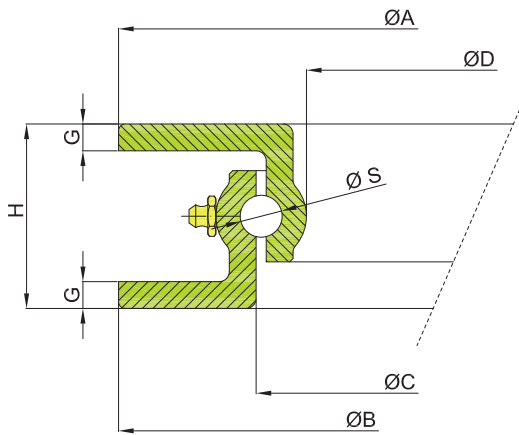
INDUSTRIES  
BEARINGS & COMPONENTS

---

**AGRICULTURAL SLEWING BEARINGS**  
***RALLE AGRICOLE***







ISB Code Codice ISB	ØA	ØB	ØC	ØD	H	G	ØS	Axial Capacity Portata assiale	Weight Peso
	±5	±5	±5	±5	±3				
	[mm]	[mm]	[mm]	[mm]	[mm]				
AG.0300.55	300	300	225	200	55	5	12,5	500	5
AG.0300.55	400	400	321	300	55	5	12,5	750	7
AG.0500.55	500	500	421	400	55	5	12,5	1000	9
AG.0500.65	500	500	410	388	65	8	12,5	1000	15
AG.0500.65	600	600	510	486	65	8	12,5	1500	20
AG.0650.65	650	650	560	536	65	8	12,5	1600	22
AG.0700.65	700	700	610	587	65	8	14	2000	24
AG.0750.65	750	750	660	636	65	8	14	2100	26
AG.0800.65	800	800	710	688	65	8	14	2500	27
AG.0850.65	850	850	760	728	65	8	14	3000	29
AG.0900.65	900	900	810	786	65	8	14	3500	32
AG.0950.65	950	950	860	837	65	8	14	3500	33
AG.1000.65	1000	1000	910	888	65	8	14	4000	35
AG.1050.65	1050	1050	960	938	65	8	14	4500	37
AG.1100.65	1100	1100	1010	988	65	8	14	4500	40
AG.1000.70	1000	1000	905	875	70	8	14	4500	37
AG.1100.70	1100	1100	1000	975	70	8	16	6000	41
AG.1200.70	1200	1190	1095	1075	70	8	16	10000	45
AG.0900.80	890	895	795	766	80	8	16	5000	36
AG.1000.80	1010	1015	916	888	80	8	16	6000	42
AG.1100.80	1100	1105	1005	976	80	8	16	6500	45
AG.1000.90	1000	1008	889	856	90	10	20	8000	60
AG.1100.90	1100	1100	980	948	90	10	20	10000	65

**ATTENZIONE: LE RALLE AGRICOLE NON SONO ADATTE PER APPLICAZIONI AD UTILIZZO INDUSTRIALE DOVE SI NECESSITA DI PRECISIONE E MASSIMA SCORREVOLEZZA.**

**ATTENTION: TURNABLES ARE NOT SUITABLE FOR INDUSTRIAL APPLICATION INVOLVING PRECISION AND MAXIMUM ROTATIVE SMOOTHNESS.**

## Introduzione

Le forniture dei prodotti, presenti in questo documento, sono regolate dalle seguenti condizioni generali di vendita. Sarà necessario un preventivo accordo scritto con il Fornitore per ulteriori ed eventuali clausole e/o condizioni particolari

richieste dai Clienti. Sono da ritenersi inaccettabili, tutte le clausole e/o condizioni contrattuali in contrasto con quanto sotto riportato.

### 1) Offerte ed ordini

Le offerte mantengono una validità di 30 giorni dalla data di comunicazione al Cliente. Decorso questo termine senza avere ricevuto l'ordine, il Fornitore avrà la facoltà di accettare o non accettare l'ordinazione tardiva. Tutti gli ordini dovranno indicare sempre la tipologia del prodotto, la quantità e la data di consegna richiesta.

Il Fornitore si riserva il diritto di fornire eventualmente altri prodotti aventi le stesse caratteristiche merceologiche di quelli ordinati. Gli ordini sono da intendersi impegnativi per il Cliente, anche senza la forma scritta. Il Fornitore avrà il medesimo obbligo al momento dell'invio della conferma d'ordine (escluse le eccezioni ai punti due e cinque).

### 2) Prezzi

I prezzi validi di riferimento sono quelli indicati nell'offerta e/o nell'accettazione dell'ordine e sono riferiti solo a prodotti standard. I prezzi relativi a tipologie speciali di prodotto e/o non standard ovvero a richiesta specifica del Cliente, saranno concordati per ogni singolo ordine di volta in volta tra le parti. Il Fornitore si riserva il diritto, per esigenze produttive e/o d'approvvigionamento, di fornire una quantità di prodotto con variazione pari a  $\pm 15\%$  rispetto alla quantità concordata con il Cliente. Nel corso delle diverse forniture qualora dovessero verificarsi degli aumenti causati da variazioni quali: aumento delle materie prime, del costo della mano d'opera del costo dei trasporti, delle imposte e dazi, ed anche altri aumenti che comportino aumenti del prodotto per il Fornitore, questo potrà a proprio insindacabile giudizio adeguare i prezzi, comunicando l'entità di tale aumento al Cliente. Le quotazioni dei prodotti, sono da intendersi franco sede del Fornitore, escluso imballo ed IVA.

### 3) Consegna

La consegna, è da intendersi terminata ed eseguita nel momento in cui i prodotti sono messi a disposizione del Cliente al banco, presso la sede del Fornitore o con la consegna al vettore/spedizioniere. Se il Cliente non ha dato precise istruzioni sulle modalità di spedizione dei prodotti o non ha provveduto in modo celere al loro ritiro, il Fornitore potrà conservarli presso i propri locali; a rischio e pericolo ed a spese del Cliente, senza alcuna responsabilità per la loro conservazione o spedirli con mezzi propri o corrieri di propria scelta.

### 4) Termini di consegna

I termini di consegna indicati dal Fornitore, sono indicativi e non hanno carattere essenziale e perentorio. La loro inosservanza non costituirà in alcun caso motivo di risoluzione del contratto e/o risarcimento d'alcun danno di qualsiasi natura. I termini saranno rispettati per quanto possibile, poiché la consegna dipende da soggetti terzi rispetto al Fornitore. Il Fornitore potrà risolvere il contratto e/o modificare i termini di consegna, senza che ciò possa costituire in alcun modo motivo di risarcimento e/o pagamento d'indennità per eventuali danni subiti dai Clienti, nei seguenti casi:

- I. Inadempienza dei pagamenti e/o pendenze debitorie da parte del Cliente.
- II. Difficoltà in fase d'approvvigionamento dei prodotti.
- III. Modifiche alle condizioni contrattuali dopo il ricevimento dell'ordine.
- IV. Eventi di causa e/o forza maggiore, non imputabili alla volontà del Fornitore, quali a titolo di esempio scioperi di vario genere, calamità naturali, epidemie, sommosse, tumulti, guerre, blocchi doganali che possono gravare sul Fornitore stesso o sulle sue fonti d'approvvigionamento.
- V. Inesattezze o ritardi da parte del Cliente nella conferma dell'ordine.

Per i fatti riportati ai punti I-III-V il Fornitore potrà chiedere il risarcimento dei danni al Cliente.

## Introduction

The supply of the products covered by this document is governed by the following general conditions of sale. Any additional clauses and/or special conditions requested by Customers shall only be valid in case of prior written agreement with the Supplier. All contract clauses and/or conditions in conflict with the terms set out below shall be considered unacceptable.

### 1) Offers and orders

Offers are valid for 30 days from the date of communication to the Customer. If no order is received within this period, the Supplier shall have the option of accepting or rejecting late orders, at its own discretion. All orders must always state the type of product, the quantity and the delivery date required. The Supplier reserves the right to supply different products with the same characteristics as those ordered. Orders are binding on the Customer even if not in writing. Orders shall also be binding on the Supplier once the confirmation of order has been dispatched (with the exceptions in points two and five below).

### 2) Prices

The valid reference prices are those stated in the offer and/or the order acceptance, and refer to standard products only. The prices relating to special and/or nonstandard product types, or to specific requests from the Customer, shall be agreed between the parties for each order on a one-off basis. Depending on production and/or procurement requirements, the Supplier reserves the right to supply a quantity of product with variation of  $\pm 15\%$  from the quantity agreed with the Customer. Over a series of shipments, if increases occur due to variations such as increases in raw material costs, in the cost of labour, freight costs, taxes and duties, or any other increases which lead to increases in the cost of the product for the Supplier, the latter may adjust the prices accordingly, at its own absolute discretion, informing the Customer of the amount of any such increase. Quotations for products are ex-works Supplier's factory, not including packaging or VAT.

### 3) Delivery

Delivery is considered to have taken place when the products are placed on the Customer's disposal on the counter on the Supplier's premises, or on consignment to the carrier/forwarding agent. If the Customer has not given clear instructions concerning the procedures for shipment of the products, or has not arranged for their prompt collection, the Supplier may store them on its own premises, at the Customer's risk and expense, without any responsibility for their conservation, or may ship them using its own vehicles or carriers of its choice.

### 4) Delivery terms

The delivery terms stated by the Supplier are guideline and not binding. In no case shall failure to meet them constitute grounds for termination of the contract and/or for compensation for any damage of any kind. Delivery terms shall be complied with as far as possible, since delivery depends on third parties over which the Supplier has no control. The Supplier may terminate the contract and/or modify the delivery terms, without this constituting grounds for compensation and/or payment of damages for any costs or losses incurred by the Customer, in the following cases:

- I. Failure to meet payment terms and/or outstanding debts on the part of the Customer.
- II. Difficulty in procurement of the products.
- III. Modifications of the contract conditions after receipt of the order.
- IV. Circumstances of force majeure, beyond the Supplier's control, such as, for example, strikes of various kinds, natural disasters, epidemics, uprisings, riots, wars or customs blockades which may affect the Supplier itself or its sources of supply.
- V. Inaccuracies or delays on the part of the Customer in confirming the order.

In the circumstances listed in points I-III-V, the Supplier may request compensation from the Customer.



**5) Spedizioni**

Le spedizioni sono sempre eseguite per conto dei Clienti, pertanto a loro rischio e pericolo, anche nei casi di trasporti "franco destino". Nel caso d'eventuali manomissioni o ammanchi imputabili espressamente al vettore/spedizionario, sarà obbligo del Cliente stesso di presentare reclamo direttamente al vettore/ spedizionario. Il Fornitore, potrà accettare reclami per eventuali differenze, qualitative e quantitative dei prodotti, solamente se comunicate da parte del Cliente, in forma scritta entro otto giorni dalla data di ricevimento dei prodotti, a pena di decadenza da ogni e qualsiasi reclamo. In mancanza d'istruzioni dettagliate da parte del Cliente, il Fornitore non sarà responsabile, sia per la scelta dei mezzi di trasporto, sia per le tariffe e applicate dai vettori/spedizionieri. Inoltre qualora non sussista accordo tra le parti, le spese di spedizione sono da intendersi a cura ed a carico del Cliente. Nei casi in cui anche solo una parte delle spese di trasporto sia a carico del Fornitore, quest'ultimo potrà servirsi dei mezzi più economici a propria insindacabile scelta. Gli ulteriori aggravii e oneri aggiuntivi nei costi di trasporto saranno ad esclusivo carico del Cliente. Per errori di consegna causati dal Cliente, con conseguente reso dei prodotti, il Fornitore avrà il diritto di addebitare al Cliente le spese di spedizione se dovute, ed il 15% del prezzo dei prodotti.

**6) Pagamenti**

Il Cliente non potrà sospendere ovvero ritardare i pagamenti della merce per nessun motivo e dovranno essere eseguiti al domicilio del Fornitore, come indicato nei documenti che accompagnano la spedizione dei prodotti. Non saranno considerati validi pagamenti effettuati in luoghi diversi, salvo che non siano stati concordati preventivamente con il Fornitore. Decorso i termini indicati, il Fornitore avrà diritto al pagamento, oltre alla somma capitale dovuta per il prezzo della merce, anche agli interessi di mora pari all'Euribor aumentato del 3%, avvalendosi del diritto d'agire anche giudizialmente nei confronti del Cliente moroso. Il Fornitore ha la facoltà di sospendere temporaneamente la fabbricazione o la fornitura dei prodotti ancora in ordine; inoltre potrà annullare il residuo dell'ordine stesso, comunicandolo al Cliente, che non avrà diritto ad indennizzi d'alcun genere. Il Fornitore avrà il diritto di ottenere il pagamento delle somme dovutegli per le consegne già eseguite. Per ogni contestazione inerente a prodotti in corso di fabbricazione, pronti per essere spediti o già in possesso del Cliente, quest'ultimo non è liberato dai propri obblighi e dovrà provvedere al pagamento, alla data stabilita, di quanto dovuto al Fornitore.

**7) Garanzia**

La garanzia s'estende per un anno dalla data di consegna dei prodotti; è limitata esclusivamente alla riparazione o alla sostituzione gratuita dei pezzi riconosciuti non conformi rispetto alle specifiche riportate sui cataloghi tecnici. La responsabilità della garanzia del Fornitore decade per tutti i prodotti che hanno subito manomissioni, sovraccarichi d'esercizio, lubrificazioni, riparazioni errate o errori in fase di montaggio, quindi per problemi causati da un utilizzo improprio del Cliente e pertanto non più restituibili al Fornitore. Il Cliente inoltre è tenuto ad avvertire il Fornitore per eventuali difetti, vizi o non conformità dei prodotti entro otto giorni dal ricevimento degli stessi (in forma scritta), pena la decadenza della garanzia. Non saranno accettati reclami trascorsi i termini sopra citati. I reclami non possono causare l'annullamento o la riduzione degli ordini da parte del Cliente, né la corresponsione d'indennizzi e/o risarcimenti da parte del Fornitore. Non si accettano ritorni di prodotti, se non preventivamente autorizzati. Non si accettano ritorni di forniture, per prodotti resi non integri o manomessi o espressamente costruiti, lavorati e/o modificati per il Cliente. Il materiale non conforme dovrà essere reso previa autorizzazione del Fornitore, esente da ogni spesa (franco destino). Sul documento di reso dovranno essere riportati gli estremi del DDT o fattura di vendita relativa (Data e n° - obbligatorio per legge). Il Fornitore non assume alcuna responsabilità per incidenti che possano avvenire nell'utilizzo dei propri prodotti.

**5) Shipments**

*Shipments are always made on the Customer's behalf and therefore at its risk, even in case of delivery "freight prepaid". In case of tampering or missing items for which the carrier/forwarding agent is specifically to blame, the Customer shall be responsible for placing a claim directly with the carrier/forwarding agent. The Supplier will only be able to accept claims for any differences in the quality or quantity of the products if submitted by the Customer, in writing within eight days after the date of receipt of the products; otherwise, all claims shall become null and void. In the absence of detailed instructions from the Customer, the Supplier shall not be responsible for the choice of means of transport or for the rates charged by the carriers/forwarding agents. Moreover, in the absence of agreement between the parties, the shipment expenses shall be payable by the Customer. If even just a part of the freight costs is to be met by the Supplier, the latter shall be permitted to make use of the most economical means of transport, at its own absolute discretion. Any additional freight costs and/or charges shall be solely for the Customer's account. For errors in delivery caused by the Customer which result in return of the products, the Supplier shall be entitled to charge the Customer the shipment expenses, if due, plus 15% of the price of the products.*

**6) Payment**

*The Customer shall not be permitted to suspend or delay payments for goods for any reason, and payments must be made to the Supplier's domicile, as stated in the documents which accompany the shipment of the products. Payments made to other places shall not be considered valid unless agreed in advance with the Supplier. Once the specified payment terms have passed, the Supplier shall be entitled to payment, not only of the capital sum due for the price of the goods, but also of interest at the Euribor rate increased by 3%, and retains the right to take legal action against any Customer late with payments. The Supplier shall be entitled to temporarily suspend the manufacture or supply of any products still on order; it may also cancel the remainder of the order, informing the Customer, which shall not be entitled to compensation of any kind. The Supplier shall be entitled to obtain payment of the sums due to it for the deliveries already made. In case of any disputes concerning products being manufactured, ready for shipment or already in the Customer's possession, the latter shall not be released from its obligations and must pay the amounts due to the Supplier at the date set.*

**7) Warranty**

*The warranty is valid for one year from the date of delivery of the products; it is limited solely to the repair or replacement, free of charge, of pieces acknowledged not to comply with the specifications stated in the technical catalogues. The Supplier's warranty ceases to apply to all products which have been tampered with, operated with overloads, improperly lubricated or repaired, or incorrectly assembled; in other words, for all problems caused by improper use by the Customer, for which the Supplier is not responsible. The Customer is also obliged to inform the Supplier about any defects, faults or non-conformity of the products within eight days after the date of receipt of the same (in writing); otherwise, the warranty shall become null and void. No claims shall be accepted once the above terms have expired. Claims shall not constitute grounds for the cancellation or reduction of orders on the part of the Customer, or the payment of damages and/or compensation on the part of the Supplier. No returns of products are accepted unless authorised in advance. No returns are accepted of products which are not intact, have been tampered with, or have been specifically built, processed and/or modified for the Customer. Non-conforming material must be returned, further to the Supplier's authorisation, with all expenses paid (freight prepaid). The return document must contain the details of the original transport document or invoice (date and number - compulsory by law). The Supplier does not accept any responsibility for accidents occurring during the use of its products.*

**8) Prodotti speciali e/o a disegno**

Il Fornitore qualora accetti commesse di prodotti speciali o su particolari specifici che tecniche del Cliente, dovrà sempre ricevere un disegno tecnico dettagliato prima di procedere alla produzione. Dopo aver accettato l'ordine e previa consegna del disegno tecnico, il Fornitore invierà al Cliente una campionatura del prodotto. Il Cliente, dopo averne preso visione, dovrà inviare conferma scritta al Fornitore per l'esecuzione dell'intera fornitura. Nel caso in cui il Cliente per motivi non imputabili al Fornitore rifiutasse in modo parziale o completo la fornitura, il Fornitore potrà avvalersi del diritto di addebitare le spese per l'esecuzione della campionatura, oltre al mancato guadagno e per gli eventuali danni subiti, trattandosi di prodotti non commercializzabili. Il Fornitore provvederà al ritiro ed alla sostituzione del materiale non conforme, nel caso in cui il Cliente dimostrasse palesemente che le caratteristiche del prodotto fornito non corrispondono a quelle dei campioni consegnati, senza alcuna responsabilità da parte del Fornitore e con rinuncia del Cliente ad ogni richiesta di risarcimento a qualsiasi titolo richiesto.

**9) Validità e deroghe delle Condizioni Generali di Vendita**

Ogni e qualsiasi deroga o modifica alle sopra indicate condizioni generali di vendita, dovrà essere convenuta in forma scritta tra le parti.

**10) Domicilio del Cliente**

Il domicilio del Cliente è da intendersi quello ove il Cliente ha la propria sede legale, salvo diversa comunicazione scritta. Il Fornitore pertanto indirizzerà tutte le comunicazioni e le spedizioni dei prodotti in quella sede.

**11) Foro competente**

Per ogni e qualsiasi controversia sarà competente il foro dove si trova la sede legale del Fornitore.

**8) Special and/or custom-made products**

*If the Supplier accepts orders for special products or those made to the Customer's own technical specifications, it must always receive a detailed technical drawing before proceeding with production. After accepting the order and further to consignment of the technical drawing, the Supplier shall send the Customer a sample lot of the product. After viewing the sample lot, the Customer shall send the Supplier written confirmation for production of the entire ordered amount. If, due to circumstances beyond the Supplier's control, the Customer refuses delivery of all or part of the goods, the Supplier shall be entitled to reimbursement of the expenses for production of the sample lot, and for compensation for loss of earnings and for any damages incurred, since these products are not marketable. The Supplier shall collect and replace non-conforming material if the Customer clearly demonstrates that the characteristics of the product supplied differ from those of the samples consigned, without any liability on the part of the Supplier and with waiver on the part of the Customer of any request for compensation on any grounds.*

**9) Validity and waivers of the General Conditions of Sale**

*Any waivers or modifications of the aforesaid general conditions of sale must be agreed between the parties in writing.*

**10) Customer's Domicile**

*The Customer shall be domiciled in the place where it has its registered office, unless otherwise notified in writing. The Supplier shall therefore send all communications and shipments of products to the relevant address.*

**11) Legal jurisdiction**

*The law court of the Supplier's registered office shall have jurisdiction over all disputes of any kind.*





INDUSTRIES



©Copyright 

The reproduction, even partial, of the contained concerning this technical catalogue, is forbidden. Liability for possible errors and/or omissions are not accepted. The measurements, drawings and images are not demanding. <sup>TM</sup> Registered in Italy-EU.

*È vietata la riproduzione anche parziale del contenuto di questo catalogo tecnico. Non si possono accettare responsabilità per eventuali errori od omissioni. Le misure, i disegni e le immagini non sono impegnativi. Marchio registrato Italia-EU.*





INDUSTRIES



01.09.2019 ©Copyright ISB



700003878E44A26101708