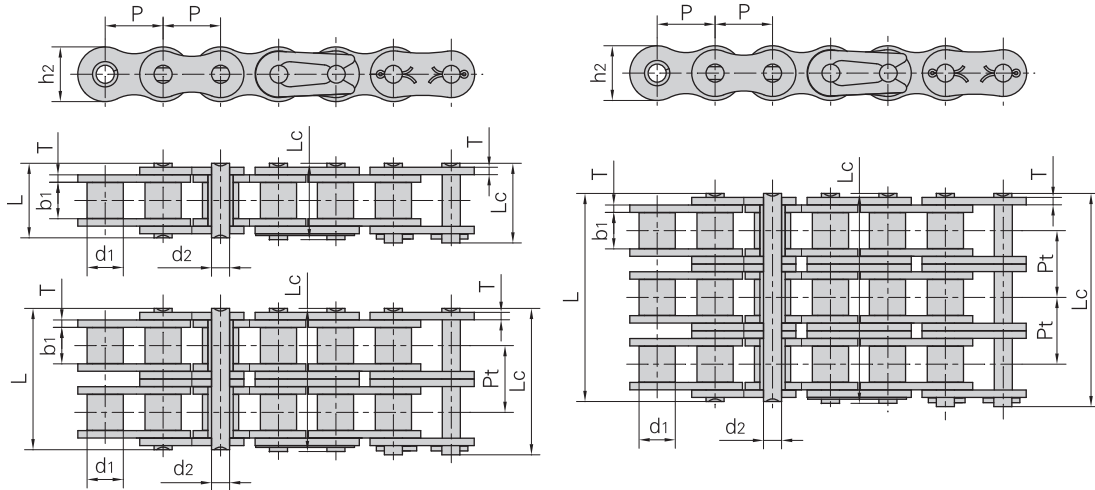
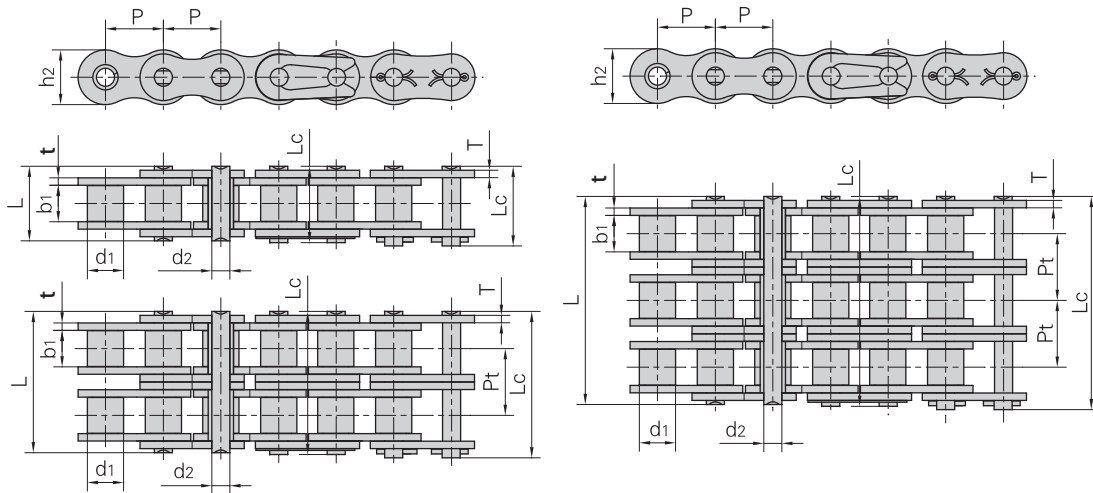


## Short pitch precision roller chains (A series)



| DIN/ISO Chain No. | ANSI Chain No. | Pitch | Roller diameter |        | Width between inner plates |       | Pin diameter |        | Pin length |       | Inner plate depth | Plate thickness | Transverse pitch | Ultimate tensile strength | Average tensile strength | Weight per meter |    |        |
|-------------------|----------------|-------|-----------------|--------|----------------------------|-------|--------------|--------|------------|-------|-------------------|-----------------|------------------|---------------------------|--------------------------|------------------|----|--------|
|                   |                |       | d1 max          | b1 min | d2 max                     | L max | Lc max       | h2 max | T max      | Q min |                   |                 |                  |                           |                          |                  | Q0 | q      |
|                   |                |       | mm              | mm     | mm                         | mm    | mm           | mm     | mm         | mm    |                   |                 |                  |                           |                          |                  | mm | kN/lbf |
| 16A-1             | 80             | 25.40 | 15.88           | 15.75  | 7.92                       | 32.7  | 35.0         | 24.00  | 3.25       | -     | 56.70/12886       | 69.4            | 2.60             |                           |                          |                  |    |        |
| 20A-1             | 100            | 31.75 | 19.05           | 18.90  | 9.53                       | 40.4  | 44.7         | 30.00  | 4.00       | -     | 88.50/20114       | 109.2           | 3.91             |                           |                          |                  |    |        |
| 24A-1             | 120            | 38.10 | 22.23           | 25.22  | 11.10                      | 50.3  | 54.3         | 35.70  | 4.80       | -     | 127.00/28864      | 156.3           | 5.62             |                           |                          |                  |    |        |
| 28A-1             | 140            | 44.45 | 25.40           | 25.22  | 12.70                      | 54.4  | 59.0         | 41.00  | 5.60       | -     | 172.40/39182      | 212.0           | 7.50             |                           |                          |                  |    |        |
| 32A-1             | 160            | 50.80 | 28.58           | 31.55  | 14.27                      | 64.8  | 69.6         | 47.80  | 6.40       | -     | 226.80/51545      | 278.9           | 10.10            |                           |                          |                  |    |        |
| 36A-1             | 180            | 57.15 | 35.71           | 35.48  | 17.46                      | 72.8  | 78.6         | 53.60  | 7.20       | -     | 280.20/63682      | 341.8           | 13.45            |                           |                          |                  |    |        |
| 40A-1             | 200            | 63.50 | 39.68           | 37.85  | 19.85                      | 80.3  | 87.2         | 60.00  | 8.00       | -     | 353.80/80409      | 431.6           | 16.15            |                           |                          |                  |    |        |
| 48A-1             | 240            | 76.20 | 47.63           | 47.35  | 23.81                      | 95.5  | 103.0        | 72.39  | 9.50       | -     | 510.30/115977     | 622.5           | 23.20            |                           |                          |                  |    |        |
| 16A-2             | 80-2           | 25.40 | 15.88           | 15.75  | 7.92                       | 62.7  | 64.3         | 24.00  | 3.25       | 29.29 | 113.40/25773      | 141.8           | 5.15             |                           |                          |                  |    |        |
| 20A-2             | 100-2          | 31.75 | 19.05           | 18.90  | 9.53                       | 76.4  | 80.5         | 30.00  | 4.00       | 35.76 | 177.00/40227      | 219.4           | 7.80             |                           |                          |                  |    |        |
| 24A-2             | 120-2          | 38.10 | 22.23           | 25.22  | 11.10                      | 95.8  | 99.7         | 35.70  | 4.80       | 45.44 | 254.00/57727      | 314.9           | 11.70            |                           |                          |                  |    |        |
| 28A-2             | 140-2          | 44.45 | 25.40           | 25.22  | 12.70                      | 103.3 | 107.9        | 41.00  | 5.60       | 48.87 | 344.80/78364      | 427.5           | 15.14            |                           |                          |                  |    |        |
| 32A-2             | 160-2          | 50.80 | 28.58           | 31.55  | 14.27                      | 123.3 | 128.1        | 47.80  | 6.40       | 58.55 | 453.60/103091     | 562.4           | 20.14            |                           |                          |                  |    |        |
| 36A-2             | 180-2          | 57.15 | 35.71           | 35.48  | 17.46                      | 138.6 | 144.4        | 53.60  | 7.20       | 65.84 | 560.50/127386     | 695.0           | 29.22            |                           |                          |                  |    |        |
| 40A-2             | 200-2          | 63.50 | 39.68           | 37.85  | 19.85                      | 151.9 | 158.8        | 60.00  | 8.00       | 71.55 | 707.60/160818     | 877.4           | 32.24            |                           |                          |                  |    |        |
| 48A-2             | 240-2          | 76.20 | 47.63           | 47.35  | 23.81                      | 183.4 | 190.8        | 72.39  | 9.50       | 87.83 | 1020.60/213955    | 1255.3          | 45.23            |                           |                          |                  |    |        |
| 16A-3             | 80-3           | 25.40 | 15.88           | 15.75  | 7.92                       | 91.7  | 93.6         | 24.00  | 3.25       | 29.29 | 170.1/38659       | 198.4           | 7.89             |                           |                          |                  |    |        |
| 20A-3             | 100-3          | 31.75 | 19.05           | 18.90  | 9.53                       | 112.2 | 116.3        | 30.00  | 4.00       | 35.76 | 265.5/60341       | 309.6           | 11.77            |                           |                          |                  |    |        |
| 24A-3             | 120-3          | 38.10 | 22.23           | 25.22  | 11.10                      | 141.4 | 145.2        | 35.70  | 4.80       | 45.44 | 381.0/86591       | 437.2           | 17.53            |                           |                          |                  |    |        |
| 28A-3             | 140-3          | 44.45 | 25.40           | 25.22  | 12.70                      | 152.2 | 156.8        | 41.00  | 5.60       | 48.87 | 517.2/117545      | 593.3           | 22.20            |                           |                          |                  |    |        |
| 32A-3             | 160-3          | 50.80 | 28.58           | 31.55  | 14.27                      | 181.8 | 186.6        | 47.80  | 6.40       | 58.55 | 680.4/154636      | 780.6           | 30.02            |                           |                          |                  |    |        |
| 36A-3             | 180-3          | 57.15 | 35.71           | 35.48  | 17.46                      | 204.4 | 210.2        | 53.60  | 7.20       | 65.84 | 840.7/191068      | 983.6           | 38.22            |                           |                          |                  |    |        |
| 40A-3             | 200-3          | 63.50 | 39.68           | 37.85  | 19.85                      | 223.5 | 230.4        | 60.00  | 8.00       | 71.55 | 1061.4/241227     | 1217.8          | 49.03            |                           |                          |                  |    |        |
| 48A-3             | 240-3          | 76.20 | 47.63           | 47.35  | 23.81                      | 271.3 | 278.6        | 72.39  | 9.50       | 87.83 | 1530.9/347932     | 1756.5          | 71.60            |                           |                          |                  |    |        |

## Short pitch precision roller chains (B series)

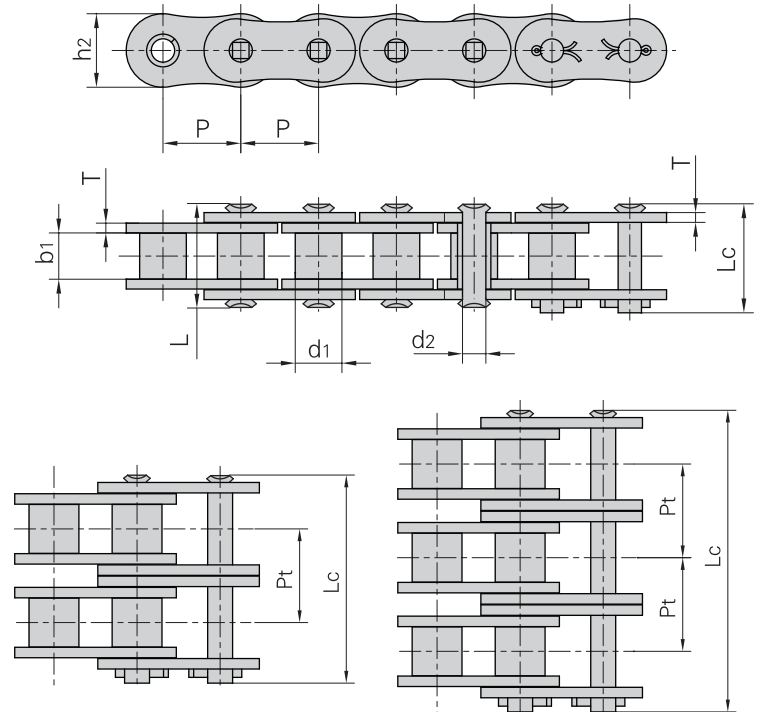
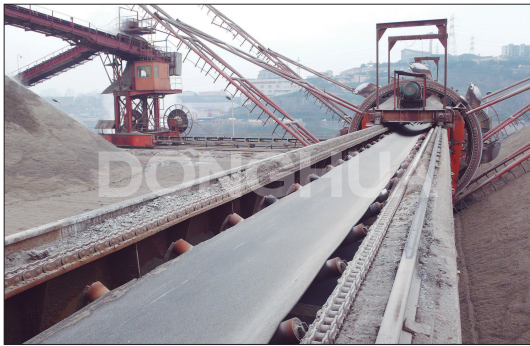


| DIN/ISO Chain No. | Pitch | Roller diameter | Width between inner plates | Pin diameter | Pin length |        | Inner plate depth | Plate thickness | Transverse pitch | Ultimate tensile strength | Average tensile strength | Weight per meter |
|-------------------|-------|-----------------|----------------------------|--------------|------------|--------|-------------------|-----------------|------------------|---------------------------|--------------------------|------------------|
|                   | P     | d1 max          | b1 min                     | d2 max       | L max      | Lc max | h2 max            | t/T max         | Pt               | Q min                     | Q0                       | q                |
|                   | mm    | mm              | mm                         | mm           | mm         | mm     | mm                | mm              | mm               | kN/lbf                    | kN                       | kg/m             |
| 16B-1             | 25.40 | 15.88           | 17.02                      | 8.28         | 36.10      | 37.4   | 21.00             | 4.15/3.10       | -                | 60.0/13636                | 72.8                     | 2.71             |
| 20B-1             | 31.75 | 19.05           | 19.56                      | 10.19        | 41.30      | 45.0   | 26.40             | 4.50/3.50       | -                | 95.0/21591                | 106.7                    | 3.70             |
| 24B-1             | 38.10 | 25.40           | 25.40                      | 14.63        | 53.40      | 57.8   | 33.20             | 6.00/4.80       | -                | 160.0/36364               | 178.0                    | 7.10             |
| 28B-1             | 44.45 | 27.94           | 30.99                      | 15.90        | 65.10      | 69.5   | 36.70             | 7.50/6.00       | -                | 200.0/45455               | 222.0                    | 8.50             |
| 32B-1             | 50.80 | 29.21           | 30.99                      | 17.81        | 66.00      | 71.0   | 42.00             | 7.00/6.00       | -                | 250.0/56818               | 277.5                    | 10.25            |
| 40B-1             | 63.50 | 39.37           | 38.10                      | 22.89        | 82.20      | 89.2   | 52.96             | 8.50/8.00       | -                | 355.0/80682               | 394.0                    | 16.35            |
| 48B-1             | 76.20 | 48.26           | 45.72                      | 29.24        | 99.10      | 107.0  | 63.80             | 12.00/10.00     | -                | 560.0/127272              | 621.6                    | 25.00            |
| 56B-1             | 88.90 | 53.98           | 53.34                      | 34.32        | 114.60     | 123.0  | 77.80             | 13.50/12.00     | -                | 850.0/193180              | 940.0                    | 35.78            |
| 16B-2             | 25.40 | 15.88           | 17.02                      | 8.28         | 68.00      | 69.3   | 21.00             | 4.15/3.10       | 31.88            | 106.0/24091               | 133.0                    | 5.42             |
| 20B-2             | 31.75 | 19.05           | 19.56                      | 10.19        | 77.80      | 81.5   | 26.40             | 4.50/3.50       | 36.45            | 170.0/38636               | 211.2                    | 7.20             |
| 24B-2             | 38.10 | 25.40           | 25.40                      | 14.63        | 101.70     | 106.2  | 33.20             | 6.00/4.80       | 48.36            | 280.0/63636               | 319.2                    | 13.40            |
| 28B-2             | 44.45 | 27.94           | 30.99                      | 15.90        | 124.60     | 129.1  | 36.70             | 7.50/6.00       | 59.56            | 360.0/81818               | 406.8                    | 16.60            |
| 32B-2             | 50.80 | 29.21           | 30.99                      | 17.81        | 124.60     | 129.6  | 42.00             | 7.00/6.00       | 58.55            | 450.0/102273              | 508.5                    | 21.00            |
| 40B-2             | 63.50 | 39.37           | 38.10                      | 22.89        | 154.50     | 161.5  | 52.96             | 8.50/8.00       | 72.29            | 630.0/143182              | 711.9                    | 32.00            |
| 48B-2             | 76.20 | 48.26           | 45.72                      | 29.24        | 190.40     | 198.2  | 63.80             | 12.00/10.00     | 91.21            | 1000.0/227272             | 1130.0                   | 50.00            |
| 56B-2             | 88.90 | 53.98           | 53.34                      | 34.32        | 221.20     | 229.6  | 77.80             | 13.50/12.00     | 106.60           | 1600.0/363635             | 1760.0                   | 71.48            |
| 16B-3             | 25.40 | 15.88           | 17.02                      | 8.28         | 99.80      | 101.2  | 21.00             | 4.15/3.10       | 31.88            | 160.0/36364               | 203.7                    | 8.13             |
| 20B-3             | 31.75 | 19.05           | 19.56                      | 10.19        | 114.20     | 117.9  | 26.40             | 4.50/3.50       | 36.45            | 250.0/56818               | 290.0                    | 10.82            |
| 24B-3             | 38.10 | 25.40           | 25.40                      | 14.63        | 150.10     | 154.6  | 33.20             | 6.00/4.80       | 48.36            | 425.0/96591               | 493.0                    | 20.10            |
| 28B-3             | 44.45 | 27.94           | 30.99                      | 15.90        | 184.20     | 188.7  | 36.70             | 7.50/6.00       | 59.56            | 530.0/120454              | 609.5                    | 24.92            |
| 32B-3             | 50.80 | 29.21           | 30.99                      | 17.81        | 183.20     | 188.2  | 42.00             | 7.00/6.00       | 58.55            | 670.0/152273              | 770.5                    | 31.56            |
| 40B-3             | 63.50 | 39.37           | 38.10                      | 22.89        | 226.80     | 233.8  | 52.96             | 8.50/8.00       | 72.29            | 950.0/215909              | 1092.5                   | 48.10            |
| 48B-3             | 76.20 | 48.26           | 45.72                      | 29.24        | 281.60     | 289.4  | 63.80             | 12.00/10.00     | 91.21            | 1500.0/340909             | 1710.0                   | 75.00            |
| 56B-3             | 88.90 | 53.98           | 53.34                      | 34.32        | 327.80     | 336.2  | 77.80             | 13.50/12.00     | 106.60           | 2240.0/545450             | 2464.0                   | 107.18           |

## SP series high strength short pitch roller chains

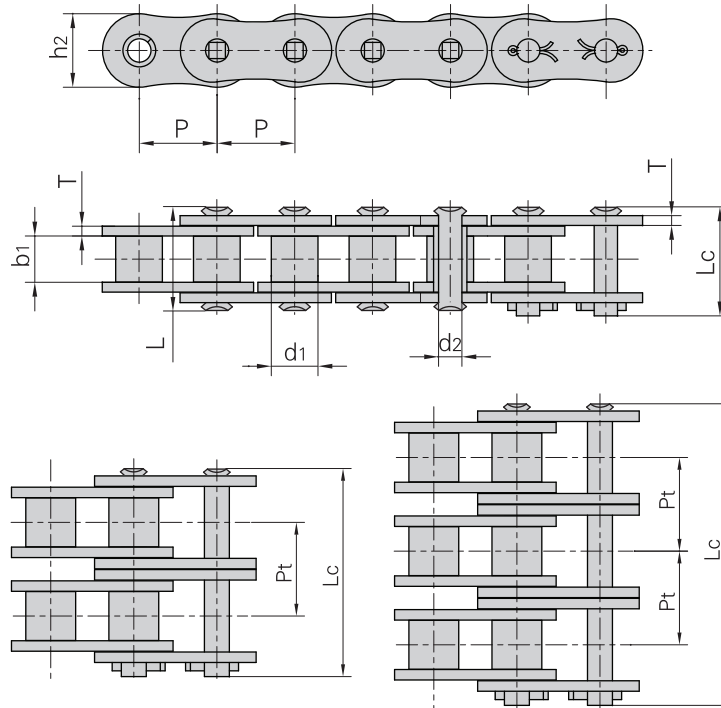
### Simplex, Duplex & Triplex strands

By adopting integrated optimum design of the structural dimensions, parts material and heat treatment process, the ultimate tensile strength of SP series high strength roller chain is 28% more than that of A series standard roller chain. Moreover, it has excellent performances of fatigue strength and impact resistance etc..



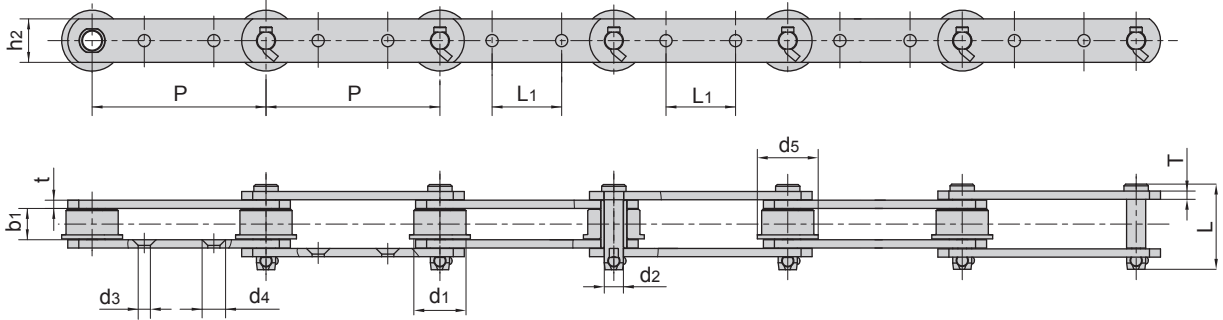
| Donghua Chain No. | Pitch   | Roller diameter | Width between inner plates | Pin diameter    | Pin length     |                 | Inner plate depth | Plate thickness | Transverse pitch | Ultimate tensile strength | Average tensile strength | Weight per meter |
|-------------------|---------|-----------------|----------------------------|-----------------|----------------|-----------------|-------------------|-----------------|------------------|---------------------------|--------------------------|------------------|
|                   | P<br>mm | d1<br>max<br>mm | b1<br>min<br>mm            | d2<br>max<br>mm | L<br>max<br>mm | Lc<br>max<br>mm | h2<br>max<br>mm   | T<br>mm         | Pt<br>mm         | Q<br>min<br>mm            | Q0<br>kN                 | q<br>kg/m        |
| 80SP-1            | 25.40   | 15.88           | 15.75                      | 7.94            | 32.7           | 36.5            | 24.1              | 3.2             | -                | 77.5/17434                | 85.3                     | 2.86             |
| 100SP-1           | 31.75   | 19.05           | 18.95                      | 9.54            | 40.4           | 44.7            | 30.1              | 4.0             | -                | 115.5/25982               | 127.0                    | 4.21             |
| 120SP-1           | 38.10   | 22.23           | 25.22                      | 11.11           | 50.3           | 54.3            | 36.2              | 4.8             | -                | 165.0/37118               | 186.0                    | 6.36             |
| 140SP-1           | 44.45   | 25.40           | 25.22                      | 12.71           | 54.4           | 59.0            | 42.2              | 5.6             | -                | 222.7/50098               | 245.0                    | 8.04             |
| 160SP-1           | 50.80   | 28.58           | 31.55                      | 14.29           | 64.8           | 69.6            | 48.2              | 6.4             | -                | 285.5/64215               | 314.0                    | 10.80            |
| 200SP-1           | 63.50   | 39.68           | 37.85                      | 19.85           | 80.3           | 87.2            | 60.3              | 8.0             | -                | 445.5/100208              | 490.0                    | 18.00            |
| 80SP-2            | 25.40   | 15.88           | 15.75                      | 7.94            | 62.7           | 65.8            | 24.1              | 3.2             | 29.29            | 155.0/34868               | 170.6                    | 5.68             |
| 100SP-2           | 31.75   | 19.05           | 18.95                      | 9.54            | 76.4           | 80.5            | 30.1              | 4.0             | 35.76            | 231.0/51965               | 255.0                    | 8.34             |
| 120SP-2           | 38.10   | 22.23           | 25.22                      | 11.11           | 95.8           | 99.7            | 36.2              | 4.8             | 45.44            | 339.0/76260               | 373.0                    | 12.63            |
| 140SP-2           | 44.45   | 25.40           | 25.22                      | 12.71           | 103.3          | 107.9           | 42.2              | 5.6             | 48.87            | 445.5/100218              | 490.0                    | 15.92            |
| 160SP-2           | 50.80   | 28.58           | 31.55                      | 14.29           | 123.3          | 128.1           | 48.2              | 6.4             | 58.55            | 571.0/128430              | 628.0                    | 21.43            |
| 200SP-2           | 63.50   | 39.68           | 37.85                      | 19.85           | 151.9          | 158.8           | 60.3              | 8.0             | 71.55            | 892.0/200621              | 981.0                    | 35.00            |
| 80SP-3            | 25.40   | 15.88           | 15.75                      | 7.94            | 91.7           | 95.1            | 24.1              | 3.2             | 29.29            | 232.5/52302               | 255.9                    | 8.18             |
| 100SP-3           | 31.75   | 19.05           | 18.95                      | 9.54            | 112.2          | 116.3           | 30.1              | 4.0             | 35.76            | 347.3/78128               | 382.0                    | 12.47            |
| 120SP-3           | 38.10   | 22.23           | 25.22                      | 11.11           | 141.4          | 145.2           | 36.2              | 4.8             | 45.44            | 508.0/114278              | 559.0                    | 18.90            |
| 140SP-3           | 44.45   | 25.40           | 25.22                      | 12.71           | 152.2          | 156.8           | 42.2              | 5.6             | 48.87            | 668.0/150271              | 735.0                    | 23.84            |
| 160SP-3           | 50.80   | 28.58           | 31.55                      | 14.29           | 181.8          | 186.6           | 48.2              | 6.4             | 58.55            | 855.5/192441              | 941.0                    | 32.10            |
| 200SP-3           | 63.50   | 39.68           | 37.85                      | 19.85           | 223.5          | 230.4           | 60.3              | 8.0             | 71.55            | 1336.4/300633             | 1470.0                   | 52.50            |

## SP series high strength heavy duty short pitch roller chains



| Donghua Chain No. | Pitch | Roller diameter | Width between inner plates | Pin diameter | Pin length |        | Inner plate depth | Plate thickness | Transverse pitch | Ultimate tensile strength | Average tensile strength | Weight per meter |
|-------------------|-------|-----------------|----------------------------|--------------|------------|--------|-------------------|-----------------|------------------|---------------------------|--------------------------|------------------|
|                   | P     | $d_1$ max       | $b_1$ min                  | $d_2$ max    | L max      | Lc max | $h_2$ max         | T               | Pt               | Q min                     | Q <sub>0</sub>           | q                |
|                   | mm    | mm              | mm                         | mm           | mm         | mm     | mm                | mm              | mm               | mm                        | kN                       | kg/m             |
| 80HSP-1           | 25.40 | 15.88           | 15.75                      | 7.94         | 36.2       | 38.9   | 24.1              | 4.0             | -                | 89.2/20066                | 98.1                     | 3.36             |
| 100HSP-1          | 31.75 | 19.05           | 18.95                      | 9.54         | 43.6       | 46.9   | 30.1              | 4.8             | -                | 131.8/29649               | 145.0                    | 4.90             |
| 120HSP-1          | 38.10 | 22.23           | 25.22                      | 11.11        | 53.5       | 57.5   | 36.2              | 5.6             | -                | 176.0/39592               | 196.0                    | 7.12             |
| 140HSP-1          | 44.45 | 25.40           | 25.22                      | 12.71        | 57.6       | 62.2   | 42.2              | 6.4             | -                | 231.9/52149               | 255.0                    | 8.88             |
| 160HSP-1          | 50.80 | 28.58           | 31.55                      | 14.29        | 68.2       | 73.0   | 48.2              | 7.2             | -                | 294.5/66260               | 324.0                    | 11.72            |
| 200HSP-1          | 63.50 | 39.68           | 37.85                      | 19.85        | 86.6       | 93.5   | 60.3              | 9.5             | -                | 543.6/122295              | 598.0                    | 19.80            |
| 80HSP-2           | 25.40 | 15.88           | 15.75                      | 7.94         | 68.8       | 72.0   | 24.1              | 4.0             | 32.59            | 178.4/40132               | 196.2                    | 6.65             |
| 100HSP-2          | 31.75 | 19.05           | 18.95                      | 9.54         | 82.7       | 86.0   | 30.1              | 4.8             | 39.09            | 263.6/59299               | 290.0                    | 9.71             |
| 120HSP-2          | 38.10 | 22.23           | 25.22                      | 11.11        | 102.4      | 106.4  | 36.2              | 5.6             | 48.87            | 356.4/80175               | 392.0                    | 14.12            |
| 140HSP-2          | 44.45 | 25.40           | 25.22                      | 12.71        | 109.8      | 114.4  | 42.2              | 6.4             | 52.20            | 463.6/104300              | 510.0                    | 17.38            |
| 160HSP-2          | 50.80 | 28.58           | 31.55                      | 14.29        | 130.1      | 134.9  | 48.2              | 7.2             | 61.90            | 588.0/132275              | 647.0                    | 23.00            |
| 200HSP-2          | 63.50 | 39.68           | 37.85                      | 19.85        | 164.9      | 171.8  | 60.3              | 9.5             | 78.31            | 1091.0/245429             | 1200.0                   | 38.50            |
| 80HSP-3           | 25.40 | 15.88           | 15.75                      | 7.94         | 101.4      | 104.6  | 24.1              | 4.0             | 32.59            | 267.6/60200               | 294.3                    | 9.95             |
| 100HSP-3          | 31.75 | 19.05           | 18.95                      | 9.54         | 121.8      | 125.1  | 30.1              | 4.8             | 39.09            | 395.4/88948               | 435.0                    | 14.53            |
| 120HSP-3          | 38.10 | 22.23           | 25.22                      | 11.11        | 151.2      | 155.2  | 36.2              | 5.6             | 48.87            | 534.5/120250              | 588.0                    | 21.12            |
| 140HSP-3          | 44.45 | 25.40           | 25.22                      | 12.71        | 162.0      | 166.6  | 42.2              | 6.4             | 52.20            | 695.5/156448              | 765.0                    | 25.88            |
| 160HSP-3          | 50.80 | 28.58           | 31.55                      | 14.29        | 192.0      | 196.8  | 48.2              | 7.2             | 61.90            | 882.7/198576              | 971.0                    | 34.22            |
| 200HSP-3          | 63.50 | 39.68           | 37.85                      | 19.85        | 243.2      | 250.1  | 60.3              | 9.5             | 78.31            | 1627.3/366073             | 1790.0                   | 57.29            |

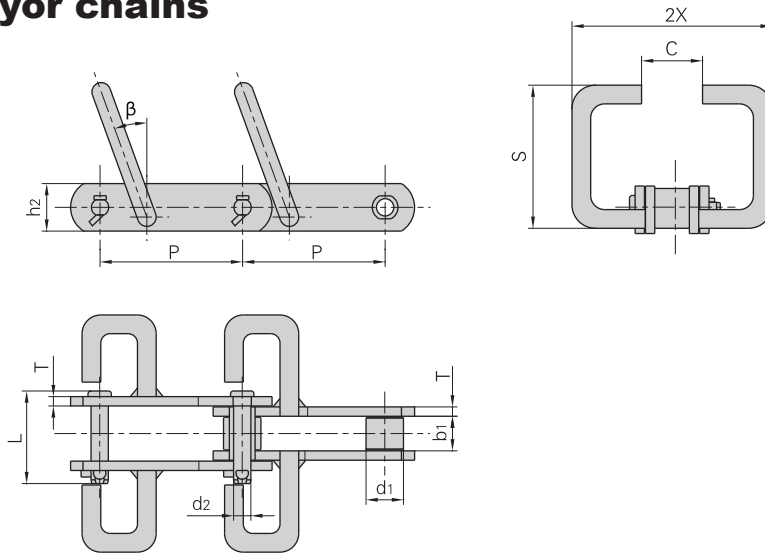
## Conveyor chains for hoisting cinder



| Donghua Chain No. | Pitch | Width between inner plates | Roller diameter    |                    | Pin diameter       | Pin length | Plate depth        | Plate thickness | Attachment dimension |                    |                    | Ultimate tensile strength | Weight per meter |
|-------------------|-------|----------------------------|--------------------|--------------------|--------------------|------------|--------------------|-----------------|----------------------|--------------------|--------------------|---------------------------|------------------|
|                   | P     | b <sub>1</sub> min         | d <sub>1</sub> max | d <sub>5</sub> max | d <sub>2</sub> max | L max      | h <sub>2</sub> max | t/T max         | L <sub>1</sub> max   | d <sub>3</sub> max | d <sub>4</sub> max | Q <sub>0</sub> min        | q                |
|                   | mm    | mm                         | mm                 | mm                 | mm                 | mm         | mm                 | mm              | mm                   | mm                 | mm                 | kN/lbf                    | kg/m             |
| P200F70           | 200   | 35                         | 60                 | 70                 | 22                 | 98         | 50                 | 9.5             | 80                   | 14                 | 27                 | 320/71940                 | 13.52            |

## Scraper conveyor chains

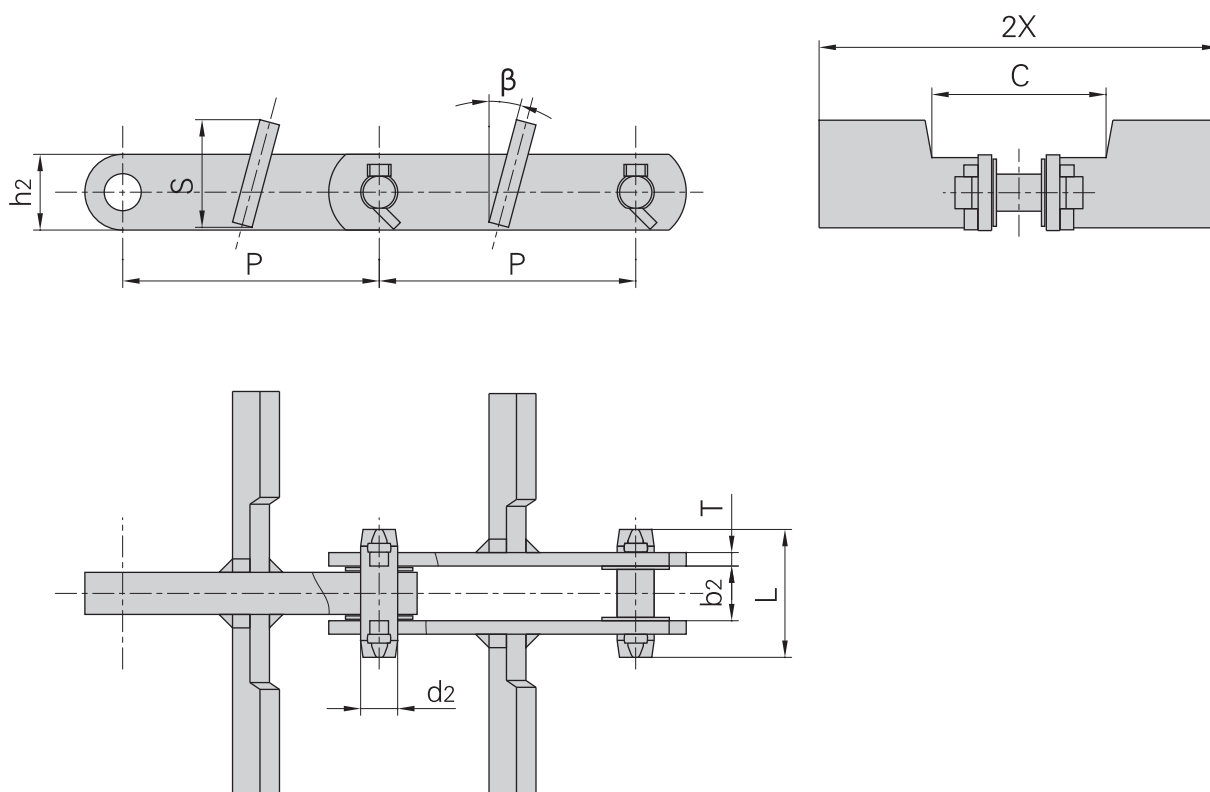
Direction of travel →



| Donghua Chain No. | Pitch | Roller diameter    | Width between inner plates | Pin diameter   | Pin length | Plate depth    | Plate thickness | Attachment dimension |     |     |     | Ultimate tensile strength | Weight per meter |
|-------------------|-------|--------------------|----------------------------|----------------|------------|----------------|-----------------|----------------------|-----|-----|-----|---------------------------|------------------|
|                   | P     | d <sub>1</sub> max | b <sub>1</sub>             | d <sub>2</sub> | L          | h <sub>2</sub> | T               | S                    | 2X  | C   | β   | Q                         | q                |
|                   | mm    | mm                 | mm                         | mm             | mm         | mm             | mm              | mm                   | mm  | mm  | °   | kN/lbf                    | kg/m             |
| P152F51           | 152.4 | 40                 | 36                         | 18.5           | 95.5       | 50.8           | 10              | 175                  | 310 | 110 | 20° | 170/38242                 | 24.9             |

# Scraper conveyor chains

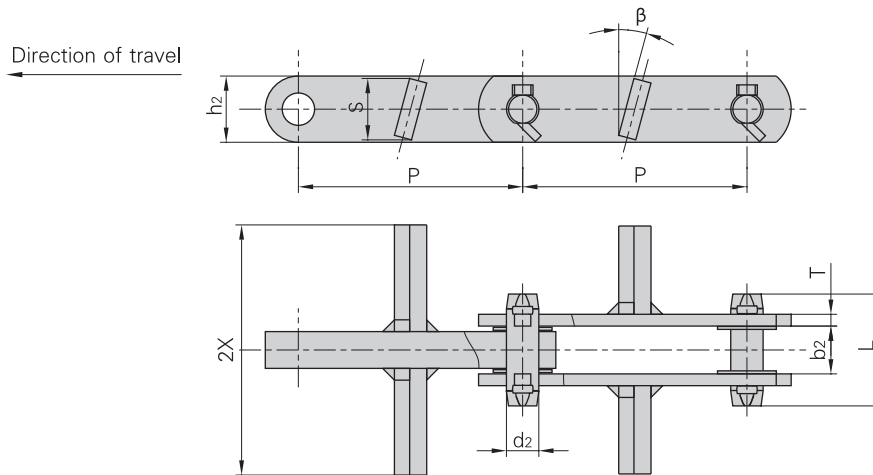
Direction of travel



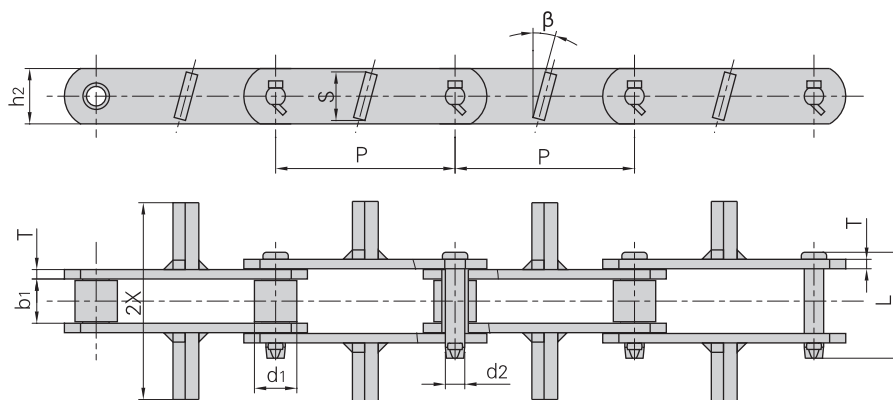
| Donghua Chain No. | Pitch | Width between outer plates | Pin diameter   | Pin length | Plate depth    | Plate thickness | Attachment dimension |     |     | Ultimate tensile strength | Weight per meter |       |
|-------------------|-------|----------------------------|----------------|------------|----------------|-----------------|----------------------|-----|-----|---------------------------|------------------|-------|
|                   | P     | b <sub>2</sub>             | d <sub>2</sub> | L          | h <sub>2</sub> | T               | S                    | 2X  | C   | β                         | Q                | q     |
|                   | mm    | mm                         | mm             | mm         | mm             | mm              | mm                   | mm  | mm  |                           | kN/lbf           | kg/m  |
| P152F45           | 152.4 | 32.5                       | 22.0           | 76.0       | 45.0           | 8.0             | 64.0                 | 326 | 104 | 15°                       | 260/58489        | 20.40 |
| P152F45A          | 152.4 | 32.5                       | 22.0           | 76.0       | 45.0           | 8.0             | 83.0                 | 286 | 106 | 15°                       | 260/58489        | 20.80 |
| P152F45B          | 152.4 | 32.5                       | 22.0           | 76.0       | 45.0           | 8.0             | 64.0                 | 276 | 106 | 15°                       | 260/58489        | 18.00 |
| P152F45C          | 152.4 | 32.5                       | 22.0           | 76.0       | 45.0           | 8.0             | 64.0                 | 220 | 106 | 15°                       | 260/58489        | 16.50 |
| P152F47           | 152.4 | 34.0                       | 22.0           | 85.0       | 45.0           | 12.0            | 81.0                 | 400 | 106 | 15°                       | 400/89983        | 30.90 |
| P150F17A          | 150.0 | 25.0                       | 18.5           | 67.3       | 38.1           | 10.0            | 115.0                | 180 | 112 | 15°                       | 150/33743        | 14.50 |
| P200F29           | 200.0 | 40.5                       | 35.0           | 104.0      | 80.0           | 13.0            | 168.0                | 420 | 112 | 15°                       | 530/119227       | 50.60 |
| P200F29A          | 200.0 | 40.5                       | 35.0           | 104.0      | 80.0           | 13.0            | 148.0                | 430 | 112 | 15°                       | 530/119227       | 53.90 |
| P200F35           | 200.0 | 33.0                       | 26.5           | 77.0       | 50.0           | 10.0            | 145.5                | 430 | 210 | 15°                       | 400/89983        | 28.93 |



## Scraper conveyor chains



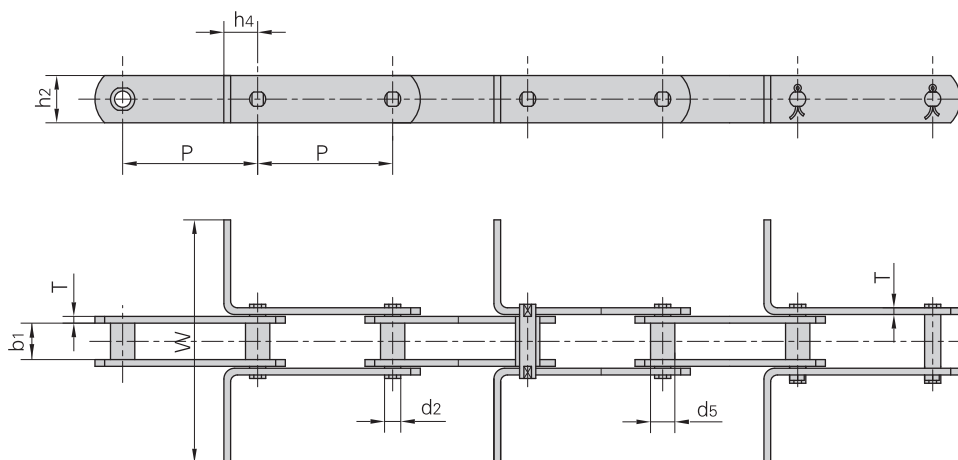
| Donghua Chain No. | Pitch | Width between outer plates | Pin diameter | Pin length | Plate depth | Plate thickness | Attachment dimension |       |     | Ultimate tensile strength | Weight per meter |
|-------------------|-------|----------------------------|--------------|------------|-------------|-----------------|----------------------|-------|-----|---------------------------|------------------|
|                   | P     | b2                         | d2           | L          | h2          | T               | S                    | 2X    | β   | Q                         | q                |
|                   | mm    | mm                         | mm           | mm         | mm          | mm              | mm                   | mm    |     | kN/lbf                    | kg/m             |
| P101.6F20         | 101.6 | 16.5                       | 17.46        | 53.7       | 38.0        | 6.0             | 34.0                 | 210.0 | 45° | 100/22496                 | 7.26             |
| P152F2            | 152.4 | 33.3                       | 22.00        | 76.0       | 45.0        | 8.0             | 38.0                 | 180.0 | 20° | 260/58489                 | 12.10            |
| P152F45D          | 152.4 | 32.5                       | 22.00        | 76.0       | 45.0        | 8.0             | 42.0                 | 170.0 | 15° | 260/58489                 | 13.50            |
| P152F45E          | 152.4 | 32.5                       | 22.00        | 76.0       | 45.0        | 8.0             | 42.0                 | 280.0 | 15° | 260/58489                 | 16.20            |
| P152F45F          | 152.4 | 32.5                       | 22.00        | 76.0       | 45.0        | 8.0             | 42.0                 | 227.0 | 15° | 260/58489                 | 14.90            |
| P152F46           | 152.4 | 40.8                       | 25.00        | 86.0       | 50.0        | 9.0             | 49.0                 | 290.0 | 15° | 300/67487                 | 20.80            |
| P150F17C          | 150.0 | 25.0                       | 18.50        | 67.3       | 38.1        | 10.0            | 36.0                 | 168.0 | 15° | 150/33743                 | 10.60            |



| Donghua Chain No. | Pitch | Width between inner plates | Roller diameter | Pin diameter | Pin length | Plate depth | Plate thickness | Attachment dimension |       |     | Ultimate tensile strength | Weight per meter |
|-------------------|-------|----------------------------|-----------------|--------------|------------|-------------|-----------------|----------------------|-------|-----|---------------------------|------------------|
|                   | P     | b1                         | d1              | d2           | L          | h2          | T               | S                    | 2X    | β   | Q                         | q                |
|                   | mm    | mm                         | mm              | mm           | mm         | mm          | mm              | mm                   | mm    |     | kN/lbf                    | kg/m             |
| P152F48           | 152.4 | 37.6                       | 36.0            | 16.5         | 90.0       | 47.0        | 8.0             | 42.0                 | 170.0 | 15° | 180/40492                 | 12.1             |
| RO6205MF3         | 152.4 | 37.0                       | 38.1            | 15.9         | 88.0       | 45.0        | 8.0             | 42.0                 | 170.0 | 15° | 170/38242                 | 12.4             |

BULK MATERIAL CONVEYOR CHAINS

## Scraper conveyor chains



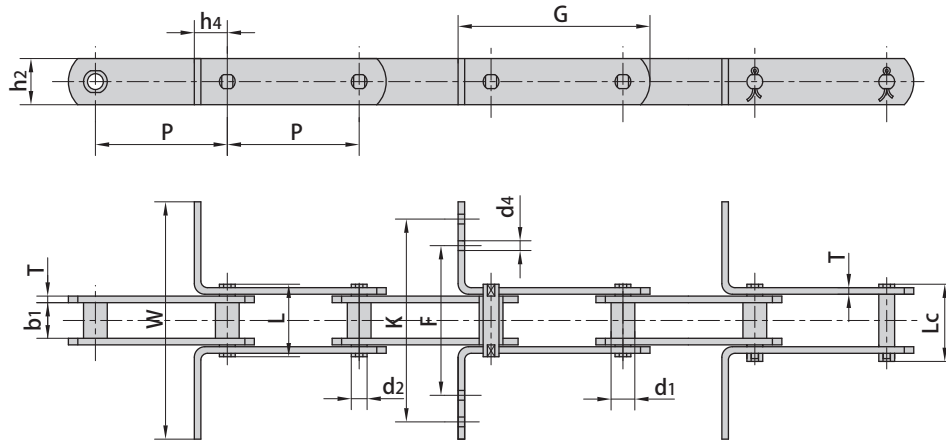
| Donghua Chain No. | P   |     |     | $b_1$ min | $d_2$ max | $d_5$ max | $h_4$ | $h_2$ max | T max | W | Q min       |
|-------------------|-----|-----|-----|-----------|-----------|-----------|-------|-----------|-------|---|-------------|
|                   | mm  |     |     |           |           |           |       |           |       |   |             |
| MR56              | 100 | 125 | -   | 24.0      | 10.0      | 15.0      | 20.0  | 30.0      | 4.0   | • | 56.0/12727  |
| MR80              | 100 | 125 | 160 | 28.0      | 12.0      | 18.0      | 25.0  | 35.0      | 5.0   | • | 80.0/18182  |
| MR112             | 100 | 125 | 160 | 32.0      | 15.0      | 21.0      | 35.0  | 40.0      | 6.0   | • | 112.0/25454 |
| MR160             | 100 | 125 | 160 | 37.0      | 18.0      | 25.0      | 40.0  | 50.0      | 7.0   | • | 160.0/36364 |
| MR224             | 125 | 160 | 200 | 43.0      | 21.0      | 30.0      | 44.0  | 60.0      | 8.0   | • | 224.0/50909 |
| MR315             | 160 | 200 | 250 | 48.0      | 25.0      | 36.0      | 50.0  | 70.0      | 10.0  | • | 315.0/71591 |

| Donghua Chain No. | P   |     |     | $b_1$ min | $d_2$ max | $d_5$ max | $h_4$ | $h_2$ max | T max | W | Q min       |
|-------------------|-----|-----|-----|-----------|-----------|-----------|-------|-----------|-------|---|-------------|
|                   | mm  |     |     |           |           |           |       |           |       |   |             |
| FVR40             | 80  | 100 | 125 | 18.0      | 10.0      | 15.0      | 20.0  | 25.0      | 3.0   | • | 42.0/9545   |
| FVR63             | 100 | 125 | 160 | 22.0      | 12.0      | 18.0      | 25.0  | 30.0      | 4.0   | • | 64.0/14545  |
| FVR90             | 100 | 125 | 160 | 25.0      | 14.0      | 20.0      | 30.0  | 35.0      | 5.0   | • | 100.0/22727 |
| FVR112            | 100 | 125 | 160 | 30.0      | 16.0      | 22.0      | 35.0  | 40.0      | 6.0   | • | 120.0/27272 |
| FVR140            | 125 | 160 | 200 | 35.0      | 18.0      | 26.0      | 38.0  | 45.0      | 6.0   | • | 145.0/32954 |
| FVR180            | 125 | 160 | 200 | 45.0      | 20.0      | 30.0      | 44.0  | 50.0      | 8.0   | • | 190.0/43181 |
| FVR250            | 160 | 200 | 250 | 55.0      | 26.0      | 36.0      | 50.0  | 60.0      | 8.0   | • | 275.0/62499 |

• Dimensions are specified by the customer



## Scraper conveyor chains

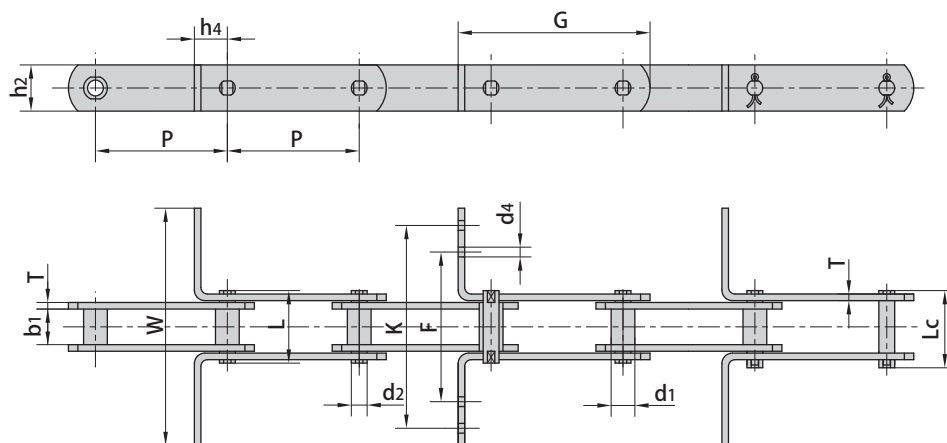


| Donghua Chain No. | Pitch | Bush diameter | Width between inner plates | Pin diameter | Pin length |        | Ultimate tensile strength | Average tensile strength | Weight per meter |
|-------------------|-------|---------------|----------------------------|--------------|------------|--------|---------------------------|--------------------------|------------------|
|                   | P     | d1 max        | b1 min                     | d2 max       | L max      | Lc max | Q min                     | Q0                       | q                |
|                   | mm    | mm            | mm                         | mm           | mm         | mm     | kN/lbf                    | kN                       | kg/m             |
| MR22F1-B-100      | 100.0 | 12.0          | 12.50                      | 8.00         | 30.6       | 34.0   | 22.0/4946                 | 24.2                     | 1.77             |
| MR112F7-S-100     | 100.0 | 30.0*         | 32.00                      | 15.00        | 64.5       | 69.0   | 112.0/36000               | 123.2                    | 8.95             |
| MR112F8-S-100     | 100.0 | 30.0*         | 32.00                      | 15.00        | 64.5       | 69.0   | 112.0/36000               | 123.2                    | 9.53             |
| MR160F4-S-160     | 160.0 | 36.0*         | 37.00                      | 18.00        | 85.0       | -      | 160.0/36000               | 176.0                    | 11.39            |
| MR160F7-S-100     | 100.0 | 36.0*         | 37.00                      | 18.00        | 75.7       | 84.7   | 160.0/36000               | 176.0                    | 15.87            |
| MR160F8-S-100     | 100.0 | 36.0*         | 37.00                      | 18.00        | 75.7       | 84.7   | 160.0/36000               | 176.0                    | 13.80            |
| MR160F11-S-100    | 100.0 | 36.0*         | 37.00                      | 19.60        | 75.7       | 84.7   | 160.0/36000               | 176.0                    | 13.85            |
| MR160F10-B-100    | 100.0 | 25.0          | 37.00                      | 19.70        | 75.7       | 84.7   | 160.0/36000               | 176.0                    | 13.16            |
| MR224F1-S-125     | 125.0 | 42.0*         | 43.00                      | 21.00        | 85.0       | 91.0   | 224.0/50357               | 246.4                    | 17.92            |
| MR450F1-S-200     | 200.0 | 60.0*         | 56.00                      | 30.00        | 119.0      | 132.0  | 450.0/101165              | 495.0                    | 35.23            |
| M80-P100F1        | 100.0 | 18.0          | 28.00                      | 12.00        | 55.0       | 58.5   | 80.0/18162                | 88.0                     | 5.19             |
| M180-P-100        | 100.0 | 26.0          | 28.85                      | 18.00        | 62.5       | -      | 180.0/40909               | 198.0                    | 10.25            |
| M310-P-125        | 125.0 | 40.0*         | 52.00                      | 20.00        | 103.4      | 109.4  | 303.8/69045               | 334.0                    | 19.88            |
| M310F1-P-125      | 125.0 | 40.0*         | 52.00                      | 20.00        | 103.4      | 109.4  | 303.8/69045               | 334.0                    | 24.88            |
| M310F1-P-150      | 150.0 | 40.0*         | 52.00                      | 20.00        | 103.4      | 109.4  | 303.8/69045               | 334.0                    | 19.13            |
| FVR40F4-B-100     | 100.0 | 15.0          | 18.00                      | 10.00        | 40.0       | 43.5   | 40.0/8992                 | 44.0                     | 2.88             |
| FVR40F5-P-80      | 80.0  | 32.0*         | 18.00                      | 10.00        | 36.0       | 40.0   | 40.0/8992                 | 44.0                     | 3.20             |
| FVR90F1-B-125     | 125.0 | 20.0          | 25.00                      | 14.00        | 52.0       | 56.4   | 150.0/33743               | 165.0                    | 6.16             |
| FVR112F3-B-155    | 155.0 | 22.0          | 65.00                      | 16.00        | 109.0      | -      | 120.0/26977               | 132.0                    | 7.13             |
| FVR180F2-B-160    | 160.0 | 30.0          | 49.00                      | 20.00        | 91.0       | 97.0   | 250.0/56203               | 275.0                    | 15.53            |
| P100F16           | 100.0 | 23.0          | 28.00                      | 16.00        | 66.0       | -      | 115.0/26136               | 127.0                    | 6.60             |
| P101.6            | 101.6 | 44.5          | 50.80                      | 23.84        | 136.5      | -      | 600.0/136362              | 660.0                    | 34.96            |
| P125F3            | 125.0 | 25.0          | 36.00                      | 18.00        | 82.0       | -      | 220.0/49999               | 242.0                    | 11.17            |
| P125F4            | 125.0 | 25.0          | 36.00                      | 18.00        | 82.0       | -      | 220.0/49999               | 242.0                    | 9.83             |
| P160F12           | 160.0 | 50.0*         | 34.00                      | 20.00        | 77.8       | -      | 160.0/35993               | 176.0                    | 10.30            |

\*Indicates the external diameter of roller

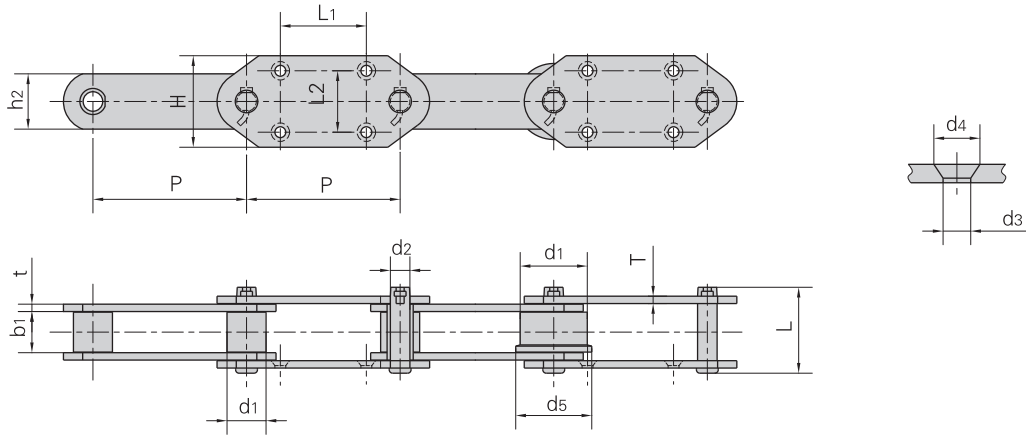
BULK MATERIAL CONVEYOR CHAINS

## Scraper conveyor chains

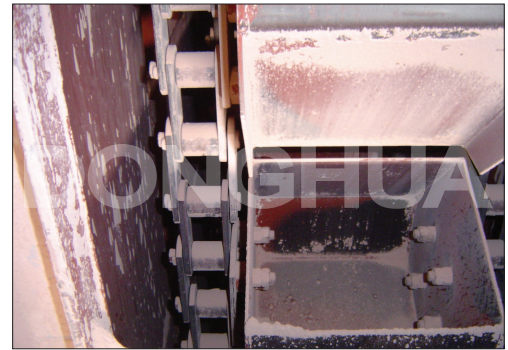


| Donghua Chain No. | G     | F     | W     | K     | $h_4$ | $h_2$ | $d_4$ | T    |
|-------------------|-------|-------|-------|-------|-------|-------|-------|------|
|                   | mm    | mm    | mm    | mm    | mm    | mm    | mm    | mm   |
| MR22F1-B-100      | 132.7 | -     | 150.0 | -     | 16.4  | 22.0  | -     | 3.0  |
| MR112F7-S-100     | 160.0 | 120.0 | 235.0 | 205.0 | 35.0  | 40.0  | 12.0  | 6.0  |
| MR112F8-S-100     | 160.0 | -     | 285.0 | -     | 35.0  | 40.0  | -     | 6.0  |
| MR160F4-S-160     | 248.5 | 140.0 | 300.0 | 250.0 | 63.5  | 50.0  | 18.0  | 7.0  |
| MR160F7-S-100     | 170.0 | 125.0 | 386.0 | 356.0 | 40.0  | 50.0  | 12.0  | 7.0  |
| MR160F8-S-100     | 170.0 | 115.0 | 235.0 | 205.0 | 40.0  | 50.0  | 18.0  | 7.0  |
| MR160F11-S-100    | 170.0 | 115.0 | 235.0 | 205.0 | 40.0  | 50.0  | 19.7  | 7.0  |
| MR160F10-B-100    | 170.0 | 140.0 | 290.0 | 260.0 | 40.0  | 50.0  | 19.7  | 7.0  |
| MR224F1-S-125     | 203.0 | -     | 235.0 | -     | 44.0  | 60.0  | -     | 8.0  |
| MR450F1-S-200     | 307.0 | -     | 488.0 | -     | 60.0  | 80.0  | -     | 12.0 |
| M80-P100F1        | 145.5 | -     | 180.0 | -     | 25.0  | 35.0  | -     | 5.0  |
| M180-P-100        | 163.0 | -     | 185.0 | -     | 35.0  | 50.0  | -     | 6.0  |
| M310-P-125        | 195.0 | -     | 270.0 | -     | 35.0  | 55.0  | -     | 10.0 |
| M310F1-P-125      | 195.0 | -     | 560.0 | -     | 35.0  | 55.0  | -     | 10.0 |
| M310F1-P-150      | 220.0 | -     | 350.0 | -     | 40.0  | 50.0  | -     | 10.0 |
| FVR40F4-B-100     | 134.5 | -     | 200.0 | -     | 20.0  | 25.0  | -     | 4.0  |
| FVR40F5-P-80      | 104.0 | -     | 80.0  | -     | 20.0  | 25.0  | -     | 3.0  |
| FVR90F1-B-125     | 175.0 | 90.0  | 290.0 | 270.0 | 30.0  | 40.0  | 9.0   | 5.0  |
| FVR112F3-B-155    | 207.5 | -     | 250.0 | -     | 30.0  | 40.0  | -     | 6.0  |
| FVR180F2-B-160    | 230.0 | 248.0 | 368.0 | 308.0 | 35.0  | 60.0  | 8.0   | 8.0  |
| P100F16           | 143.0 | 91.8  | 180.0 | 159.8 | 25.0  | 36.0  | 6.5   | 6.0  |
| P101.6            | 198.6 | -     | 206.5 | -     | 62.0  | 60.0  | -     | 14.5 |
| P125F3            | 190.0 | 139.5 | 290.0 | 259.5 | 35.0  | 51.0  | 8.5   | 6.0  |
| P125F4            | 190.0 | 119.5 | 220.0 | 191.5 | 35.0  | 51.0  | 8.5   | 6.0  |
| P160F12           | 230.0 | -     | 214.5 | -     | 40.0  | 50.0  | -     | 6.0  |

## Conveyor chains for hoisting

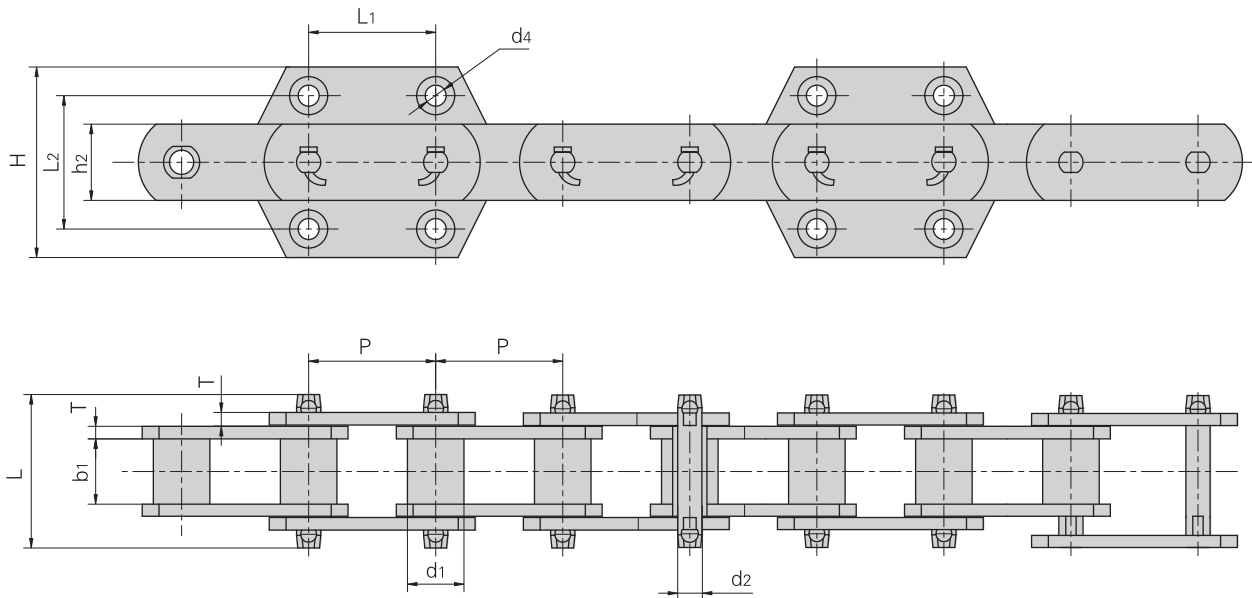


| Donghua Chain No. | P     | H     | L1    | L2    | d3   | d4   |
|-------------------|-------|-------|-------|-------|------|------|
|                   | mm    | mm    | mm    | mm    | mm   | mm   |
| P95               | 95.0  | 95.0  | 50.0  | 70.0  | 12.0 | 21.0 |
| RF10150RF1        | 150.0 | 100.0 | 75.0  | 70.0  | 11.0 | 20.0 |
| P150F47           | 150.0 | 110.0 | 75.0  | 75.0  | 12.0 | 22.0 |
| P152F41           | 152.4 | 110.0 | 75.0  | 70.0  | 14.5 | 25.0 |
| RF17200MF1-G-4    | 200.0 | 125.0 | 100.0 | 80.0  | 18.0 | 33.0 |
| RF17200MF2-G-4    | 200.0 | 120.0 | 100.0 | 80.0  | 15.0 | 26.0 |
| P250F6            | 250.0 | 150.0 | 140.0 | 100.0 | 17.7 | 30.0 |
| P250F66           | 250.0 | 150.0 | 140.0 | 100.0 | 15.0 | 26.0 |
| P250F71SS         | 250.0 | 150.0 | 110.0 | 100.0 | 18.0 | -    |
| P300F1            | 300.0 | 180.0 | 170.0 | 120.0 | 22.0 | 39.0 |
| P350F2-G4         | 350.0 | 210.0 | 225.0 | 140.0 | 26.0 | 42.2 |



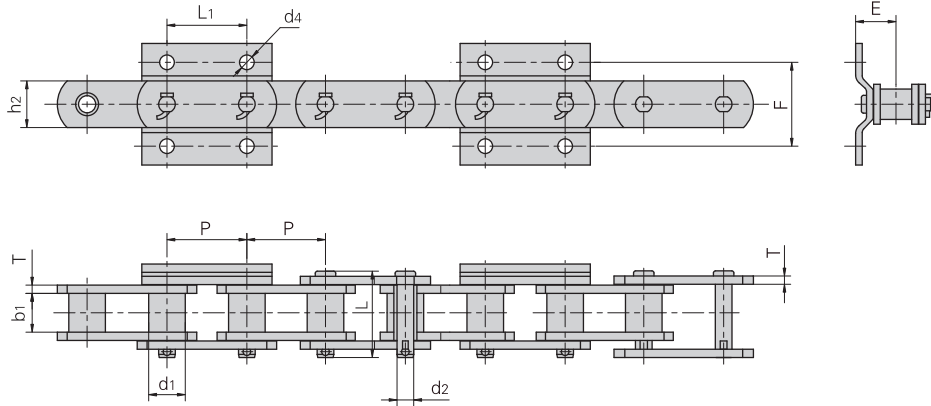
| Donghua Chain No. | Pitch | Roller diameter |       | Width between inner plates | Pin diameter | Pin length | Plate depth | Plate thickness | Ultimate tensile strength | Average tensile strength | Weight per meter |
|-------------------|-------|-----------------|-------|----------------------------|--------------|------------|-------------|-----------------|---------------------------|--------------------------|------------------|
|                   | P     | d1 max          | d5    | b1 min                     | d2 max       | L max      | h2 max      | t/T max         | Q min                     | Q0                       | q                |
|                   | mm    | mm              | mm    | mm                         | mm           | mm         | mm          | mm              | kN/lbf                    | kN                       | kg/m             |
| P95               | 95.0  | 50.8            | 58.0  | 30.0                       | 13.50        | 70.0       | 38.0        | 6.0             | 75.0/16871                | 82.5                     | 9.93             |
| RF10150RF1        | 150.0 | 50.0            | 60.0  | 30.0                       | 14.50        | 69.0       | 38.1        | 8.0/6.3         | 200.0/44992               | 220.0                    | 8.64             |
| P150F47           | 150.0 | 54.0            | -     | 40.0                       | 27.00        | 112.0      | 68.5        | 12.0            | 600.0/67487               | 680.0                    | 25.70            |
| P152F41           | 152.4 | 38.1            | -     | 36.0                       | 15.50        | 90.0       | 50.0        | 8.0             | 150.0/33743               | 165.0                    | 11.91            |
| RF17200MF1-G-4    | 200.0 | 44.5            | -     | 51.4                       | 19.10        | 120.0      | 60.0        | 10.0            | 245.0/55114               | 269.5                    | 17.60            |
| RF17200MF2-G-4    | 200.0 | 44.5            | -     | 51.4                       | 19.10        | 109.5      | 50.8        | 9.5             | 213.0/47916               | 243.0                    | 15.10            |
| P250F6            | 250.0 | 63.5            | -     | 67.0                       | 31.80        | 146.0      | 90.0        | 12.0            | 900.0/101230              | 495.0                    | 31.70            |
| P250F66           | 250.0 | 80.0            | -     | 51.4                       | 19.10        | 109.5      | 50.8        | 9.5             | 329.0/73962               | 378.0                    | 19.79            |
| P250F71SS         | 250.0 | 100.0           | 125.0 | 79.0                       | 22.00        | 120.0      | 64.0        | 10.0            | 320.0/71939               | 368.0                    | 29.80            |
| P300F1            | 300.0 | 70.0            | -     | 75.0                       | 35.00        | 174.0      | 100.0       | 16.0            | 1065.0/239580             | 1118.0                   | 47.47            |
| P350F2-G4         | 350.0 | 85.0            | -     | 85.0                       | 41.75        | 189.5      | 115.0       | 16.0            | 1200.0/269772             | 1372.0                   | 48.43            |

## Conveyor chains for hoisting

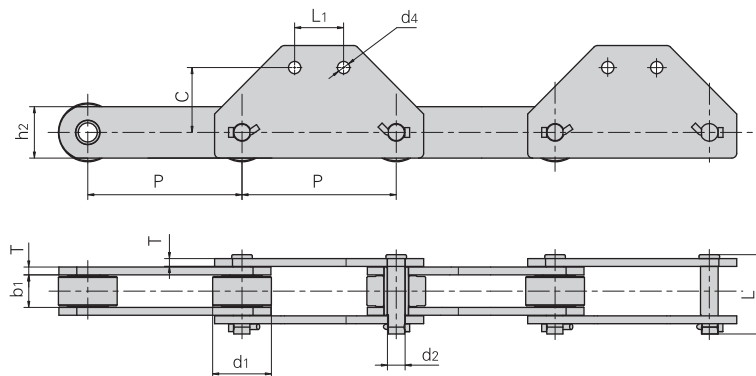


| Conveyor type | Donghua Chain No. | Pitch | Roller diameter | Width between inner plates | Pin diameter | Pin length | Plate depth | Plate thickness | Attachment dimension |     |     | Ultimate tensile strength |                  |
|---------------|-------------------|-------|-----------------|----------------------------|--------------|------------|-------------|-----------------|----------------------|-----|-----|---------------------------|------------------|
|               |                   | P     | d1              | b1                         | d2           | L          | h2          | T               | H                    | L2  | L1  | d4                        | Q <sub>min</sub> |
|               |                   | mm    | mm              | mm                         | mm           | mm         | mm          | mm              | mm                   | mm  | mm  | mm                        | mm               |
|               | P100F112.04       | 100.0 | 44.5            | 52.0                       | 19.30        | 120.0      | 60.0        | 10.0            | 150                  | 105 | 100 | 18.5                      | 350.0/78735      |
|               | P100F107.04       | 100.0 | 50.8            | 58.0                       | 25.40        | 120.0      | 75.0        | 10.0            | 150                  | 105 | 100 | 18.5                      | 550.0/123726     |
| NE15          | P101.6F92         | 101.6 | 26.5            | 27.0                       | 11.50        | 70.0       | 35.0        | 6.0             | -                    | 90  | 40  | 12.0                      | 100.0/22495      |
| NE30          | P152F119          | 152.4 | 36.0            | 36.5                       | 15.50        | 90.0       | 50.0        | 8.0             | -                    | 120 | 60  | 14.0                      | 240.0/53990      |
| NE50          | P152F120          | 152.4 | 36.0            | 36.5                       | 15.50        | 90.0       | 50.0        | 8.0             | 110                  | 70  | 75  | 14.0                      | 240.0/53990      |
|               | P152F126          | 152.4 | 34.9            | 37.1                       | 15.80        | 88.0       | 44.5        | 7.9             | 110                  | 70  | 75  | 15.0                      | 186.2/41887      |
| NE100         | P200F64           | 200.0 | 44.5            | 51.8                       | 19.10        | 120.0      | 60.0        | 10.0            | 125                  | 80  | 100 | 18.0                      | 380.0/85484      |
| NE150         | P200F65           | 200.0 | 48.5            | 57.6                       | 22.20        | 120.0      | 75.0        | 10.0            | 125                  | 80  | 100 | 18.0                      | 550.0/123727     |
|               | P200F63           | 200.0 | 48.5            | 57.6                       | 22.20        | 125.0      | 75.0        | 10.0            | 125                  | 80  | 100 | 18.5                      | 315.0/70861      |
| NE200         | P250F42           | 250.0 | 63.5            | 67.4                       | 31.75        | 143.0      | 90.0        | 12.0            | 150                  | 100 | 140 | 18.0                      | 750.0/168718     |
| NE300         | P250F43           | 250.0 | 63.5            | 67.4                       | 31.75        | 146.0      | 90.0        | 12.0            | 150                  | 100 | 140 | 18.0                      | 750.0/168718     |
| NE400         | P300F9            | 300.0 | 70.0            | 75.0                       | 35.00        | 170.0      | 100.0       | 16.0            | 180                  | 125 | 170 | 22.0                      | 1065.0/239580    |

## Conveyor chains for hoisting



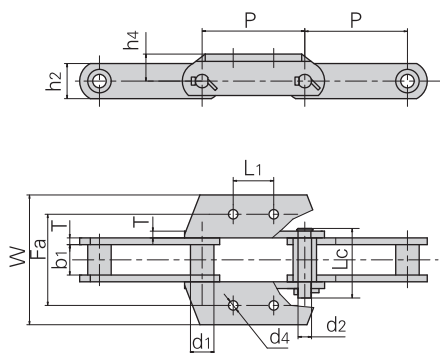
| Donghua Chain No. | Pitch | Roller diameter | Width between inner plates | Pin diameter | Pin length | Plate depth | Plate thickness | Attachment dimension |     |    |      | Ultimate tensile strength |
|-------------------|-------|-----------------|----------------------------|--------------|------------|-------------|-----------------|----------------------|-----|----|------|---------------------------|
|                   | P     | d1 max          | b1 min                     | d2           | L          | h2          | T               | F                    | L1  | d4 | E    | Q min                     |
|                   | mm    | mm              | mm                         | mm           | mm         | mm          | mm              | mm                   | mm  | mm | mm   | kN/lbf                    |
| P76.2F31          | 76.2  | 34.9            | 37.1                       | 15.9         | 86.5       | 44.5        | 7.9             | 80                   | 75  | 14 | 46.5 | 253.6/57049               |
| P75F18            | 75.0  | 29.0            | 30.0                       | 14.5         | 69.0       | 38.1        | 6.3             | 80                   | 75  | 14 | 38.5 | 204.9/46094               |
| P75F22            | 75.0  | 32.0            | 37.1                       | 15.9         | 86.5       | 44.5        | 7.9             | 75                   | 75  | 14 | 46.5 | 253.6/57049               |
| P75F24            | 75.0  | 29.0            | 30.0                       | 14.5         | 69.0       | 38.1        | 6.3             | 80                   | 75  | 14 | 38.5 | 204.9/46093               |
| P100F97           | 100.0 | 40.1            | 51.4                       | 19.1         | 109.5      | 50.8        | 9.5             | 100                  | 100 | 16 | 58.0 | 351.0/78960               |
| P100F127-G4       | 100.0 | 50.0            | 57.5                       | 24.0         | 117.0      | 63.5        | 9.5             | 100                  | 100 | 16 | 62.5 | 470.0/105730              |



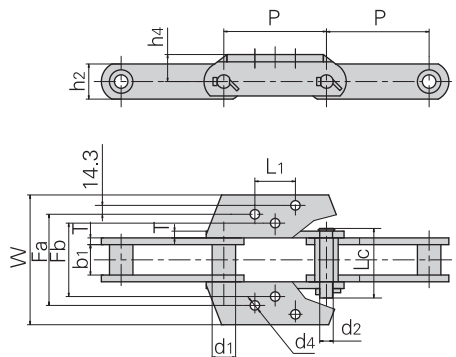
| Donghua Chain No. | Pitch | Roller diameter | Width between inner plates | Pin diameter | Pin length | Plate depth | Plate thickness | Attachment dimension |     |    | Ultimate tensile strength |
|-------------------|-------|-----------------|----------------------------|--------------|------------|-------------|-----------------|----------------------|-----|----|---------------------------|
|                   | P     | d1 max          | b1 min                     | d2           | L          | h2          | T               | L1                   | C   | d4 | Q min                     |
|                   | mm    | mm              | mm                         | mm           | mm         | mm          | mm              | mm                   | mm  | mm | kN/lbf                    |
| P315F12           | 315   | 120             | 66.5                       | 36           | 162        | 105         | 16              | 100                  | 133 | 25 | 1000/224958               |
| P500F4            | 500   | 150             | 120.0                      | 50           | 227        | 130         | 20              | 400                  | 120 | 26 | 2650/596138               |

## Conveyor chains for hoisting

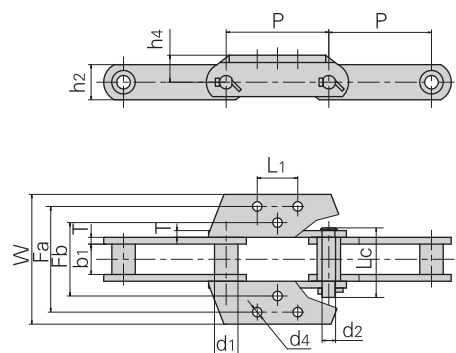
K24



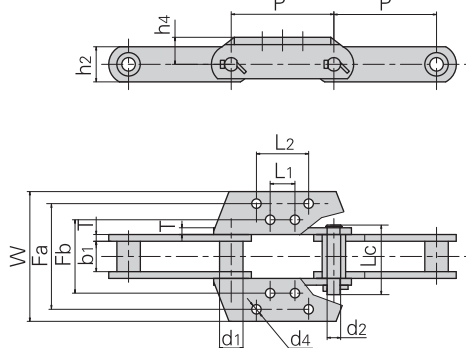
K3



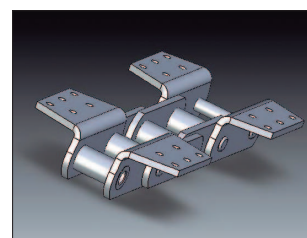
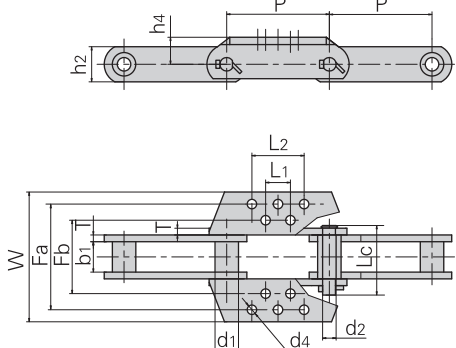
K35



K44



K443

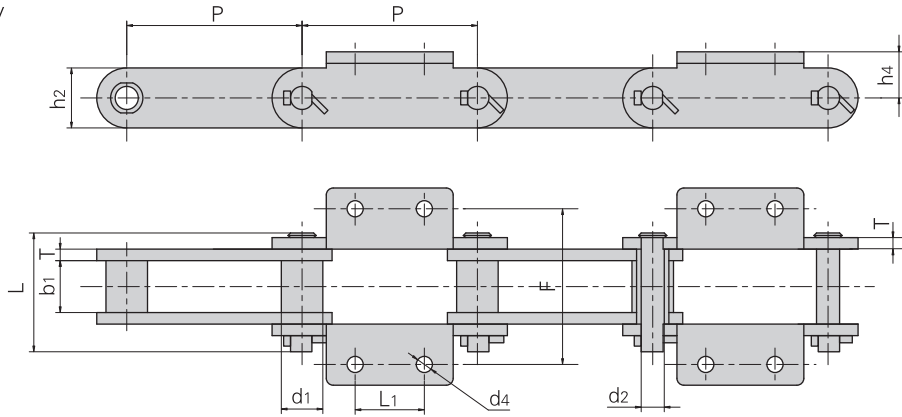


| Donghua Chain No. | Pitch | Bush diameter | Width between inner plates | Pin diameter | Pin length | Plate depth | Plate thickness | Average tensile strength | Weight per meter |
|-------------------|-------|---------------|----------------------------|--------------|------------|-------------|-----------------|--------------------------|------------------|
|                   | P     | d1            | b1                         | d2           | Lc         | h2          | T               | Q                        |                  |
|                   | mm    | mm            | mm                         | mm           | mm         | mm          | mm              | kN/lbf                   | kg/m             |
| 856               | 152.4 | 44.5          | 76.2                       | 25.40        | 155.5      | 63.5        | 12.7            | 539/121252               | 24.5             |
| 857               | 152.4 | 44.5          | 76.2                       | 25.40        | 155.5      | 82.6        | 12.7            | 775/174342               | 30.0             |
| 859               | 152.4 | 60.3          | 95.3                       | 31.75        | 190.0      | 101.6       | 16.0            | 1180/265450              | 51.0             |
| 864               | 177.8 | 60.3          | 95.3                       | 31.75        | 190.0      | 101.6       | 16.0            | 1230/276698              | 51.0             |

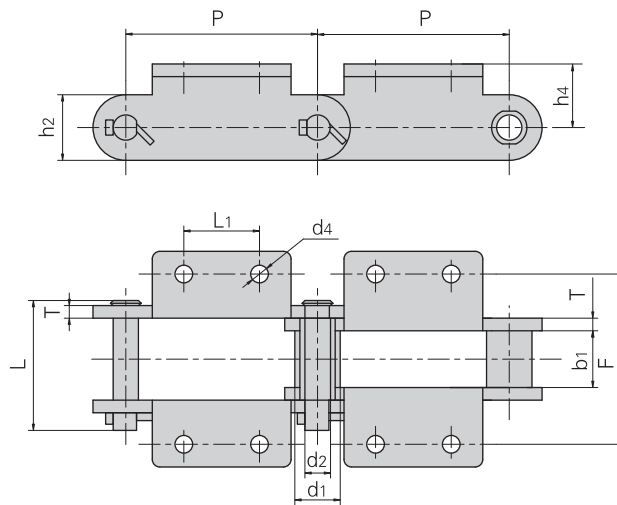
| Donghua Chain No. | Attachment type | Attachment dimension |      |       |       |     |      |       |      |      | Weight per att. |
|-------------------|-----------------|----------------------|------|-------|-------|-----|------|-------|------|------|-----------------|
|                   |                 | P                    | h4   | Fb    | Fa    | W   | L1   | L2    | T    | d4   |                 |
|                   |                 | mm                   | mm   | mm    | mm    | mm  | mm   | mm    | mm   | mm   | kg/att.         |
| 856               | K24             | 152.4                | 47.6 | -     | 184.2 | 241 | 63.5 | -     | 12.7 | 18.0 | 1.5             |
| 856               | K3              | 152.4                | 47.6 | 166.7 | 277.8 | 344 | 70.0 | -     | 12.7 | 15.0 | 2.8             |
| 856               | K35             | 152.4                | 47.6 | 184.2 | 298.5 | 344 | 63.5 | -     | 12.7 | 18.0 | 2.8             |
| 859               | K44             | 152.4                | 76.2 | 228.6 | 330.2 | 381 | 70.0 | 114.5 | 16.0 | 17.5 | 5.0             |
| 864               | K443            | 177.8                | 76.2 | 228.6 | 330.2 | 381 | 95.3 | 140.0 | 16.0 | 17.5 | 7.5             |

## Conveyor chain with attachments

For cement industry



| Conveyor type | Donghua Chain No. | Pitch | Roller diameter | Width between inner plates | Pin diameter | Pin length | Plate depth | Plate thickness | Attachment dimension |     |    |    | Ultimate tensile strength  |
|---------------|-------------------|-------|-----------------|----------------------------|--------------|------------|-------------|-----------------|----------------------|-----|----|----|----------------------------|
|               |                   | P     | d1              | b1                         | d2           | L          | h2          | T               | L1                   | F   | h4 | d4 | Q <sub>min</sub><br>kN/lbf |
| DS400         | P152F123          | 152.4 | 36.0            | 36.5                       | 15.5         | 90.0       | 50.0        | 8.0             | 60                   | 120 | 38 | 14 | 275/61863                  |
| DS640         | P250F44           | 250.0 | 48.5            | 57.6                       | 22.2         | 120.0      | 75.0        | 10.0            | 125                  | 160 | 60 | 12 | 560/125976                 |

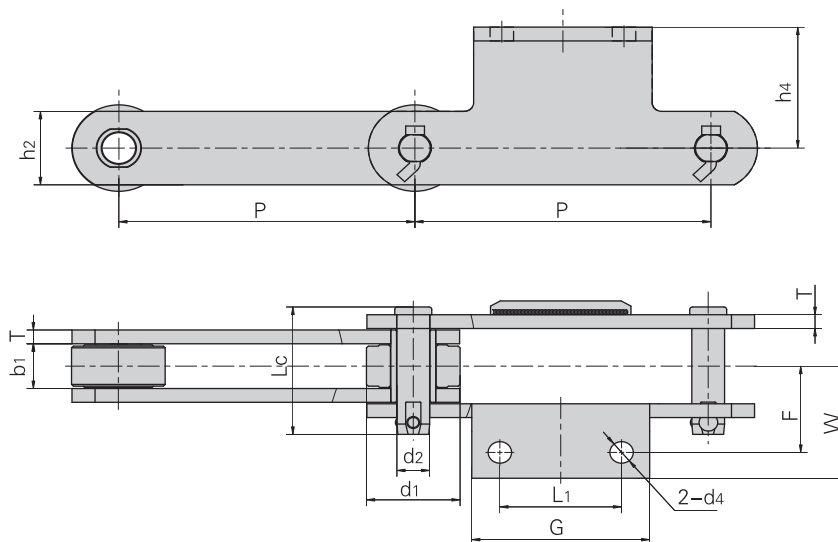


| Conveyor type   | Donghua Chain No. | Pitch | Roller diameter | Width between inner plates | Pin diameter | Pin length | Plate depth | Plate thickness | Attachment dimension |     |    |      | Ultimate tensile strength  |
|-----------------|-------------------|-------|-----------------|----------------------------|--------------|------------|-------------|-----------------|----------------------|-----|----|------|----------------------------|
|                 |                   | P     | d1              | b1                         | d2           | L          | h2          | T               | L1                   | F   | h4 | d4   | Q <sub>min</sub><br>kN/lbf |
| SDB400          | P250F45           | 250.0 | 36.0            | 40.0                       | 20.0         | 89.0       | 65.0        | 8.0             | 85                   | 130 | 55 | 14.0 | 450/101230                 |
| SDB500<br>(540) | P250F46           | 250.0 | 36.0            | 44.0                       | 21.0         | 94.0       | 85.0        | 8.0             | 85                   | 132 | 55 | 18.5 | 500/112479                 |
| SDB630<br>(600) | P250F47           | 250.0 | 45.0            | 52.0                       | 30.0         | 128.0      | 115.0       | 10.0            | 85                   | 162 | 75 | 18.5 | 1000/224957                |



## Conveyor chain with attachments

For combined stacker / reclaimers



| Donghua Chain No. | Pitch   | Roller diameter | Width between inner plates | Pin diameter | Pin length   | Plate depth | Plate thickness | Ultimate tensile strength | Average tensile strength |
|-------------------|---------|-----------------|----------------------------|--------------|--------------|-------------|-----------------|---------------------------|--------------------------|
|                   | P<br>mm | d1 max<br>mm    | b1 max<br>mm               | d2 max<br>mm | Lc max<br>mm | h2<br>mm    | T<br>mm         | Q min<br>kN/lbf           | Q0<br>kN                 |
| P315F11           | 315     | 100.0           | 52                         | 35           | 148          | 85          | 16              | 800/179966                | 900                      |
| P250F74           | 250     | 76.5            | 40                         | 24           | 117          | 60          | 12              | 400/89983                 | 450                      |

| Donghua Chain No. | P   | L1  | G   | F     | W     | h4  | d4 |
|-------------------|-----|-----|-----|-------|-------|-----|----|
|                   | mm  | mm  | mm  | mm    | mm    | mm  | mm |
| P315F11           | 315 | 130 | 190 | 100.0 | 130.0 | 140 | 25 |
| P250F74           | 250 | 100 | 160 | 83.5  | 111.5 | 149 | 21 |

