



Product Catalogue

Drive Chains 2020



DONGHUA





Content

| | |
|--|-----|
| Introduction Donghua Chain Group | 4 |
| Quality performance and partners | 5 |
| Headquarters and production plants | 6 |
| Total range in stock | 7 |
| Competence centre | 8 |
| The Donghua Drive chain program | 10 |
| Standard Range | 16 |
| Short pitch precision roller chains (B series) | 18 |
| Short pitch precision roller chains (A series) | 24 |
| Short pitch precision roller chains (B series) With straight side plates | 30 |
| Short pitch precision roller chains (A series) With straight side plates | 36 |
| Premium Range | 42 |
| Short pitch precision roller chains (B series) New Donghua X ³ series | 44 |
| Short pitch precision roller chains (A series) New Donghua X ³ series | 50 |
| Solution Range | 56 |
| Short pitch precision roller chains EXL (B series) | 60 |
| Short pitch precision roller chains EXL (A series) | 66 |
| Short pitch precision roller chains (B series) CP Hard Chromized Pins | 72 |
| Short pitch precision roller chains (A series) CP Hard Chromized Pins | 78 |
| Short pitch precision roller chains (B series) SLR (Self Lubricating Roller Chain)..... | 84 |
| Short pitch precision roller chains (A series) SLR (Self Lubricating Roller Chain) | 90 |
| Short pitch precision roller chains (B series) Nickel Plated..... | 98 |
| Short pitch precision roller chains (A series) Nickel Plated..... | 104 |
| Short pitch precision roller chains (B series) Zinc Plated | 112 |
| Short pitch precision roller chains (A series) Zinc Plated | 118 |
| Short pitch precision roller chains (B series) ZT Plated (ZinTek) | 124 |
| Short pitch precision roller chains (A series) ZT Plated (ZinTek)..... | 130 |
| Short pitch precision roller chains (B series) ZT+ Plated (ZinTek including Chemical Nickel Plated Pins)..... | 136 |
| Short pitch precision roller chains (A series) ZT+ Plated (ZinTek including Chemical Nickel Plated Pins)..... | 142 |
| Short pitch precision roller chains (B series) With straight side plates and Nickel Plated..... | 150 |
| Short pitch precision roller chains (B series) With straight side plates and Zinc Plated..... | 156 |
| Short pitch precision roller chains (B series) With straight side plate ZT+ coated (ZinTek including chemical nickel plated pins) | 162 |
| Short pitch precision roller chains (B series) With straight side plate and hard chromized pins..... | 168 |
| Short pitch precision roller chains (B series) SLR (Self Lubricating Roller Chain) With straight side plates..... | 174 |

| | |
|---|------------|
| Short pitch precision roller chains (B series) O-ring | 182 |
| Short pitch precision roller chains (A series) O-ring | 184 |
| Short pitch precision roller chains (B series) Stainless steel AISI304 (1.4301) | 186 |
| Short pitch precision roller chains (A series) Stainless steel AISI304 (1.4301)..... | 192 |
| Short pitch precision roller chains (B series) Stainless steel AISI304 (1.4301) SS Plus with hard chromized pins..... | 198 |
| Short pitch precision roller chains (A series) Stainless steel AISI304 (1.4301) SS Plus with hard chromized pins..... | 204 |
| Short pitch precision roller chains (B series) Stainless steel AISI304 (1.4301) with straight side plates | 210 |
| Short pitch precision roller chains (A series) Stainless steel AISI304 (1.4301) with straight side plates | 218 |
| Short pitch precision roller chains (B series) Stainless steel AISI304 (1.4301) SLR (Dry-Tec) | 224 |
| Short pitch precision roller chains (A series) Stainless steel AISI304(1.4301) SLR (Dry-Tec)..... | 230 |
| Short pitch precision roller chains (B series) Stainless steel AISI316 (1.4401) | 236 |
| Ansi Heavy Duty Program | 240 |
| Short pitch Non-standard heavy duty series roller chains | 242 |
| Short pitch heavy duty precision roller chains (A series) | 244 |
| Short pitch heavy duty precision roller chains (A series) heavy duty series with hard chromized pins | 250 |
| Short pitch heavy duty precision roller chains (A series) heavy duty HV series | 256 |
| Short pitch heavy duty precision roller chains (A series) heavy duty HV series with hard chromized pins..... | 262 |
| Short pitch heavy duty precision roller chains (A series) heavy duty SP series high strength | 268 |
| Short pitch heavy duty precision roller chains (A series) heavy duty SP series high strength with hard chromized pins.. | 274 |
| Short pitch heavy duty precision roller chains (A series) heavy duty HSP series high strength..... | 282 |
| Short pitch heavy duty precision roller chains (A series) heavy duty HSP series high strength hard chromized pins | 288 |
| Short pitch heavy duty precision roller chains (A series) heavy duty UHSP series ultra-high strength..... | 294 |
| Works norm and other roller chains, Special and works norm bush and roller chains | 296 |
| Calculation Sheet for Donghua chain drives | 301 |
| Donghua chain tools..... | 302 |
| Donghua chain lubricants..... | 310 |
| Donghua sales offices | 311 |

Donghua

The Hangzhou Donghua Chain Group is one of the biggest chain producers in the world and started its European activity in 2009. Since the early nineties, Donghua has been producing and branding complete chains for well-known European chain manufacturers. To supply its European customers directly, Donghua decided to develop local facilities in the European market. For this reason, warehouses with substantial stocks in Alkmaar (The Netherlands), Leverkusen (Germany) and Wednesfield (UK) have been established.

Donghua International BV, Donghua Ltd. and Donghua Industries Europe GmbH are all full subsidiaries of the Donghua Chain Group Co., Ltd. in China.



FRANS MORSKATE
is CEO of Donghua International BV.

ERIK DIEPENHORST
is CEO of Donghua International BV.

XUAN BI HUA
chairman and owner of Donghua Chain Group Co., Ltd. Hangzhou.

CHRISTIAN KOLETZKI
is managing director of Donghua Industries Europe GmbH.

The Donghua Chain Group Co, Ltd. is located in Hangzhou, an industrial town near to the Chinese East Coast, 300 kilometres from Shanghai. Donghua employs more than 3000 employees; working together they produce more than 150,000 tons of finished chains per year. When considering the whole product range and production, Donghua is probably one of the biggest chain manufacturers worldwide.

Quality Performance

Chains from Donghua are ISO9001-2000 and API certified. All leaf chains are made according ANSI BL series ISO DIN8152, LL series DIN8152 ISO 4347, AL series ANSI B29.8 – 1958 AL standard and works standard. Donghua has its own cold rolling mills for the plate material in its production to ensure exact plate thickness in the finest tolerance classes. All chains are produced with their own unique production code for tracking and traceability. Shot peening and calibration of the pin holes are standard in our production process.

Customers choose us because of the unique price/performance ratio of our products. Our European team has more than 35 years of experience in design, development and production of chain solutions. Our expertise fits the needs of both OEM and replacement market MRO partners.

Donghua Chain Group:

- Xinghua
- Linping
- Hangzhou

● Donghua Transmission Co., Ltd.

● Donghua Subsidiaries

● Donghua Partners

Headquarter and production plants



Linning Headquarters

Linning Headquarters

Head office Donghua group

Production of:

- Transmission chains
- Conveyor chains



Linning Branch North

Production of:

- Automotive chains
- Rotary chains
- Oil field chains
- Agricultural chains



Linning Branch South

Production of:

- Leaf chains
- Escalator chains
- Light transport chains



Xinghua Donghua Gear Co., Ltd.

Production of:

- Gears
- Sprockets

Total range in stock

The key to our successes in Europe is the availability of our programme in our logistic centres and partner warehouses throughout Europe. Almost all available types and specials are constantly available from our stocks. All Standard leaf chains are delivered on reels. Up to 5/8" pitch we have 50 meter reels and up to 1 1/2" pitch we have 30 meter reels. For heavy and special leaf chains we use special packaging.



Competence centre

Donghua International BV is specialized in engineering, construction, assembly of specials, cutting and full automatic cutting, refining of intermediate products, supplying chain systems, warehousing, logistics and technical support. Following our Chinese heritage we are always very flexible and available to listen to our customer's needs. Top engineers and product specialist are available and support daily, original equipment manufacturers and our partners in the replacement market.

To meet all specifications regarding fatigue resistance, wear resistance and breaking load, we have a complete and fully equipped laboratory available to us. Breaking load testing, hardness testing, material spectrum analyses, 3-D optical measuring equipment and of course all kinds of classical measuring equipment are used to make our certificates and constantly prove our quality performance.



Micro hardness tester



Donghua International, The Netherlands
Competence centre industrial and agricultural chains



Grinder polisher machine



3D sprocket measuring

The Donghua drive chain program

Standard

range

All Donghua British Standard (BS) and Donghua American Standard (ANSI) fulfil and perform according to the International ISO606 DIN8187 and DIN8188 standard. These drive roller chains are designed and developed to meet the International requirements by Original Equipment Manufacturers and fulfil the expectations in the Maintenance Repair and Overhaul companies. The unique Quality Price performance, the wear resistance, fatigue resistance and average breaking load which is +25% above the norm, offer our clients a durable and reliable transmission component.

This Donghua Standard Range is used in a very wide range of applications in different machines and industries. Besides the pure transmission function, the use of standard roller chains is changing more and more to the materials handling equipment for conveying applications. Therefore our seamless rollers and the optimum crushing strength of our rollers offer a long-lasting and secure performance in all kinds of conveying applications. Another application is for linear motion. Our standard roller chains can be used as a gear-rack in different linear applications. Donghua Standard and Special roller chains are also used for chain couplings with and without housings. Despite the fact that all our Standard roller chains are pre-lubricated, maintenance lubrication is recommended. There is however one exception, because all our Donghua Stainless Steel roller chains are not pre-lubricated. Please let us know which kind of lubrication you require. We can offer food grade, high temperature or low temperature lubrication.



The Donghua drive chain program

Premium

range

This Donghua X3 Roller Chain Range is the state of the art of our chain manufacturing industry. Designed and developed according the latest available technology, it combines extreme precision, fatigue resistance and minimum 3 times longer life time than all other brands with their standards to achieve best available wear resistance.

Our engineers succeeded in reducing the coefficient of friction between the roller chain pin and bush significantly. In combination with new hardening technology and high sophisticated pre-lubrication, Donghua X³ roller chains are capable of offering outstanding performance in the most tough and harsh environments.

e



The Donghua drive chain program

Solution

range

Donghua roller chains belonging to the Solution Range offer multiple solutions for different and difficult environments. Different materials, different material treatments and different layer technologies offer best possible quality/price ratio in all kind of applications.

Donghua EXL roller chains are manufactured with the latest and new wide waist design plates, offer easy break virtues, higher precision, higher fatigue resistance and better wear resistance than our Donghua Standard Range. For the food industry we offer standard stainless steel AISI304, stainless steel 316, stainless steel including hard chromized pins and our new developed self-lubricating stainless steel Dry-Tec roller chains. All our Donghua roller chains can be delivered from stock with different anti-corrosion layers or coatings such as zinc plating, nickel plating, ZinTec coating and Geomet coating with or without special chemical nickel plated pins.

This Donghua Solution Range is available from stock and intended to offer a tailored solution for each single demanding drive or conveying application for roller chains. For our Donghua Maintenance Free Range we offer different technologies enabling OEM and End-User to perform without any additional maintenance intervals.

All the Donghua Solution Range products are delivered and available from stock.

| | | | |
|-----|-----|-----|-------|
| SLR | ZP | ATT | H |
| SS | NP | OR | HV/SP |
| SS+ | ZT | 1.3 | HSP |
| EXL | ZT+ | CP | UHSP |



Standard

range

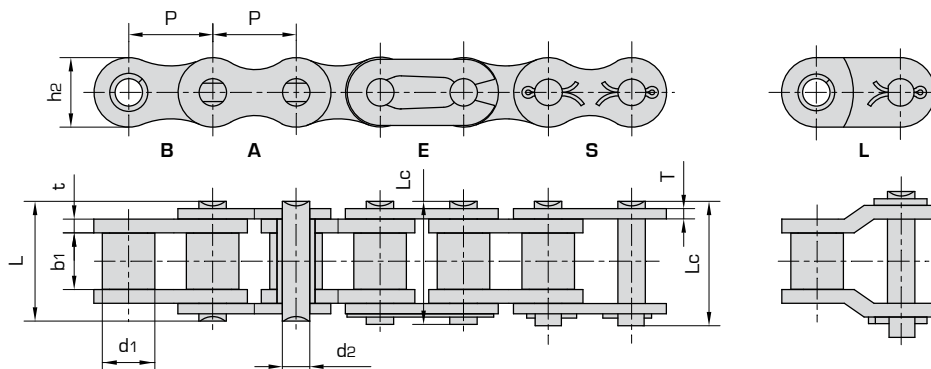


Short pitch precision roller chains (B series)

Simplex roller chains

| Part nr. | DIN/ISO 606 Chain no. | Pitch | Roller diameter | Width between inner plates | Pin diameter | Pin length | | Inner plate depth | Plate thickness |
|----------|-----------------------|---------|-----------------|----------------------------|--------------|------------|--------|-------------------|-----------------|
| | | | | | | L max | Lc max | | |
| | | | | | | P | d1 max | | |
| mm | mm | mm | mm | mm | mm | mm | mm | mm | |
| 10004B-1 | 04B-1 | 6,000 | 4,00 | 2,80 | 1,85 | 6,80 | 7,8 | 5,00 | 0,60 |
| 10005B-1 | 05B-1 | 8,000 | 5,00 | 3,00 | 2,31 | 8,20 | 8,9 | 7,10 | 0,80 |
| 10006B-1 | *06B-1 | 9,525 | 6,35 | 5,72 | 3,28 | 13,15 | 14,1 | 8,20 | 1,30 |
| 10008B-1 | 08B-1 | 12,700 | 8,51 | 7,75 | 4,45 | 16,70 | 18,2 | 11,80 | 1,60 |
| 10010B-1 | 10B-1 | 15,875 | 10,16 | 9,65 | 5,08 | 19,50 | 20,9 | 14,70 | 1,70 |
| 10012B-1 | 12B-1 | 19,050 | 12,07 | 11,68 | 5,72 | 22,50 | 24,2 | 16,00 | 1,85 |
| 10016B-1 | 16B-1 | 25,400 | 15,88 | 17,02 | 8,28 | 36,10 | 37,4 | 21,00 | 4,15/3,1 |
| 10020B-1 | 20B-1 | 31,750 | 19,05 | 19,56 | 10,19 | 41,30 | 45,0 | 26,40 | 4,50/3,5 |
| 10024B-1 | 24B-1 | 38,100 | 25,40 | 25,40 | 14,63 | 53,40 | 57,8 | 33,20 | 6,00/4,8 |
| 10028B-1 | 28B-1 | 44,450 | 27,94 | 30,99 | 15,90 | 65,10 | 69,5 | 36,70 | 7,50/6,0 |
| 10032B-1 | 32B-1 | 50,800 | 29,21 | 30,99 | 17,81 | 66,00 | 71,0 | 42,00 | 7,00/6,0 |
| 10040B-1 | 40B-1 | 63,500 | 39,37 | 38,10 | 22,89 | 82,20 | 89,2 | 52,96 | 8,50/8,0 |
| 10048B-1 | 48B-1 | 76,200 | 48,26 | 45,72 | 29,24 | 99,10 | 107,0 | 63,80 | 12,00/10,0 |
| 10056B-1 | 56B-1 | 88,900 | 53,98 | 53,34 | 34,32 | 114,6 | 123,0 | 77,80 | 13,50/12,0 |
| 10064B-1 | 64B-1 | 101,600 | 63,50 | 60,96 | 39,40 | 130,0 | 138,5 | 90,17 | 15,00/13,0 |
| 10072B-1 | 72B-1 | 114,300 | 72,39 | 68,58 | 44,48 | 147,4 | 156,4 | 103,60 | 17,00/15,0 |

* Straight side plates



| Ultimate tensile strength | Average tensile strength | Weight per meter | Available chain parts | | | | | | | |
|---------------------------|--------------------------|------------------|-----------------------|----|---|---|---|---|---|---|
| | | | Q min | Q0 | q | E | S | L | C | A |
| kN/lbf | kN | kg/m | | | | | | | | |
| 3,0/682 | 3,2 | 0,11 | X | | X | X | X | X | | |
| 5,0/1136 | 5,9 | 0,20 | X | | X | X | X | X | | |
| 9,0/2045 | 10,4 | 0,41 | X | | X | X | X | X | | |
| 18,0/4091 | 19,4 | 0,69 | X | X | X | X | X | X | | |
| 22,4/5091 | 27,5 | 0,93 | X | X | X | X | X | X | | |
| 29,0/6591 | 32,2 | 1,15 | X | X | X | X | X | X | | |
| 60,0/13636 | 77,1 | 2,71 | X | X | X | X | X | X | | |
| 95,0/21591 | 112,8 | 3,70 | X | X | X | | | X | X | |
| 160,0/36364 | 178,0 | 7,10 | | X | X | | | X | X | |
| 200,0/45455 | 236,4 | 8,50 | | X | X | | | X | X | |
| 250,0/56818 | 277,5 | 10,25 | | X | X | | | X | X | |
| 355,0/80682 | 394,0 | 16,35 | | X | X | | | X | X | |
| 560,0/127272 | 621,6 | 25,00 | | X | X | | | X | X | |
| 850,0/193180 | 940,0 | 35,78 | | X | X | | | X | X | |
| 1120,0/254544 | 1240,0 | 46,00 | | X | X | | | X | X | |
| 1400,0/318180 | 1550,0 | 60,80 | | X | X | | | X | X | |



Standard range



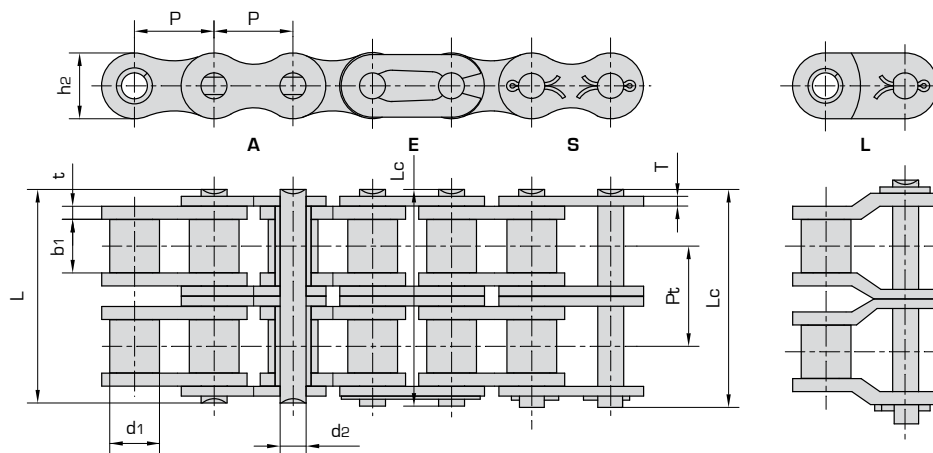
All Donghua roller chains are: Pre-loaded, Fatigue resistant, Wear resistant and Pre-lubricated. Donghua simplex, duplex and triplex roller chains are manufactured according to ISO 606 DIN8187, standard pre-loaded, pre-lubricated, do have seamless rollers and are marked with production batch code number for complete traceability. All Donghua roller chains are sealed in plastic bags and packed in cardboard boxes with clear ISO 606 DIN descriptions and safety instructions. Standard packaging size is 5 meter box, reels are available on request. Cut to length service is available on request. Several test certificates like breaking load, length tolerance and material analyses are possible and available on request. Rollers chains which are needed for 'run as pairs' applications can be matched as pairs on request. DIN, 1/2DIN and 1/3DIN length tolerance are possible, please ask us for a quotation. For high temperature, low temperature, food application or special environments different kind of special lubricants are available. Please ask our sales team for any special needs. For drive chain calculation and right dimension check, please contact our engineering department, also see drive chain calculation data sheet on page 301. By filling this data sheet and sending this to our engineering department you will receive a detailed drive chain calculation including life time expectation. Sprockets are available for all roller chains, with pilot bore, fixed bore, keyway, setscrew or bearing bore with grooves. Standard toothing, hardened toothing or special toothing are possible with pilot bore, fixed bore or taper bush. Chain tools, tensioners and chain lubricants please see page 302-310.

Short pitch precision roller chains (B series)

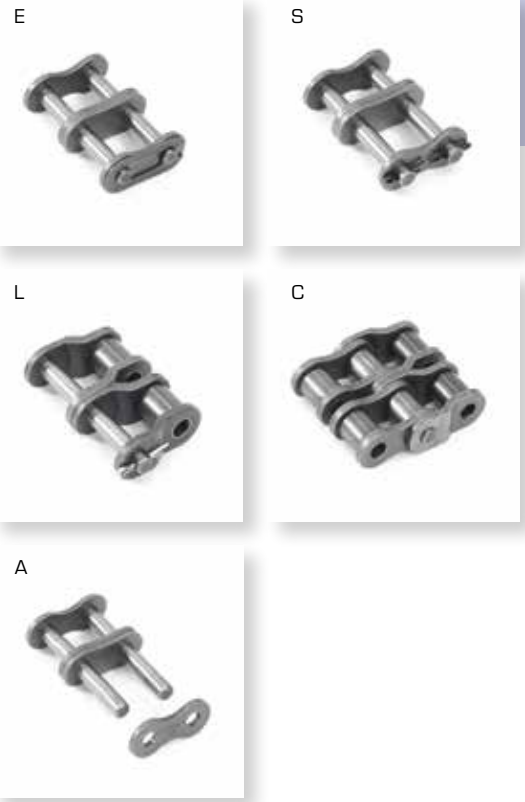
Duplex roller chains

| Part nr. | DIN/ISO 606 Chain no. | Pitch | Roller diameter | Width between inner plates | Pin diameter | Pin length | | Inner plate depth | Plate thickness | Transverse pitch |
|----------|-----------------------|---------|-----------------|----------------------------|--------------|------------|--------|-------------------|-----------------|------------------|
| | | P | d1 max | b1 min | d2 max | L max | Lc max | h2 max | T max | Pt |
| | | mm | mm | mm | mm | mm | mm | mm | mm | mm |
| 10004B-2 | 04B-2 | 6,000 | 4,00 | 2,80 | 1,85 | 13,2 | 14,2 | 5,00 | 0,60 | 5,50 |
| 10005B-2 | 05B-2 | 8,000 | 5,00 | 3,00 | 2,31 | 13,9 | 14,5 | 7,10 | 0,80 | 5,64 |
| 10006B-2 | *06B-2 | 9,525 | 6,35 | 5,72 | 3,28 | 23,4 | 24,4 | 8,20 | 1,30 | 10,24 |
| 10008B-2 | 08B-2 | 12,700 | 8,51 | 7,75 | 4,45 | 31,0 | 32,2 | 11,80 | 1,60 | 13,92 |
| 10010B-2 | 10B-2 | 15,875 | 10,16 | 9,65 | 5,08 | 36,1 | 37,5 | 14,70 | 1,70 | 16,59 |
| 10012B-2 | 12B-2 | 19,050 | 12,07 | 11,68 | 5,72 | 42,0 | 43,6 | 16,00 | 1,85 | 19,46 |
| 10016B-2 | 16B-2 | 25,400 | 15,88 | 17,02 | 8,28 | 68,0 | 69,3 | 21,00 | 4,15/3,1 | 31,88 |
| 10020B-2 | 20B-2 | 31,750 | 19,05 | 19,56 | 10,19 | 77,8 | 81,5 | 26,40 | 4,50/3,5 | 36,45 |
| 10024B-2 | 24B-2 | 38,100 | 25,40 | 25,40 | 14,63 | 101,7 | 106,2 | 33,20 | 6,00/4,8 | 48,36 |
| 10028B-2 | 28B-2 | 44,450 | 27,94 | 30,99 | 15,90 | 124,6 | 129,1 | 36,70 | 7,50/6,0 | 59,56 |
| 10032B-2 | 32B-2 | 50,800 | 29,21 | 30,99 | 17,81 | 124,6 | 129,6 | 42,00 | 7,00/6,0 | 58,55 |
| 10040B-2 | 40B-2 | 63,500 | 39,37 | 38,10 | 22,89 | 154,5 | 161,5 | 52,96 | 8,50/8,0 | 72,29 |
| 10048B-2 | 48B-2 | 76,200 | 48,26 | 45,72 | 29,24 | 190,4 | 198,2 | 63,80 | 12,00/10,0 | 91,21 |
| 10056B-2 | 56B-2 | 88,900 | 53,98 | 53,34 | 34,32 | 221,2 | 229,6 | 77,80 | 13,50/12,0 | 106,60 |
| 10064B-2 | 64B-2 | 101,600 | 63,50 | 60,96 | 39,40 | 249,9 | 258,4 | 90,17 | 15,00/13,0 | 119,89 |
| 10072B-2 | 72B-2 | 114,300 | 72,39 | 68,58 | 44,48 | 283,7 | 292,7 | 103,60 | 17,00/15,0 | 136,27 |

* Straight side plates



| Ultimate tensile strength | Average tensile strength | Weight per meter | Available chain parts | | | | |
|---------------------------|--------------------------|------------------|-----------------------|---|---|---|---|
| Q min | Q0 | q | E | S | L | C | A |
| kN/lbf | kN | kg/m | | | | | |
| 5,0/1124 | 6,10 | 0,23 | X | | X | X | X |
| 7,8/1773 | 10,2 | 0,33 | X | | X | X | X |
| 16,9/3841 | 18,7 | 0,77 | X | | X | X | X |
| 32,0/7273 | 38,7 | 1,34 | X | X | X | X | X |
| 44,5/10114 | 56,2 | 1,84 | X | X | X | X | X |
| 57,8/13136 | 66,1 | 2,31 | X | X | X | X | X |
| 106,0/24091 | 152,0 | 5,42 | X | X | X | X | X |
| 170,0/38636 | 229 | 7,20 | | X | X | | X |
| 280,0/63636 | 319,2 | 13,40 | | X | X | | X |
| 360,0/81818 | 406,8 | 16,60 | | X | X | | X |
| 450,0/102273 | 508,5 | 21,00 | | X | X | | X |
| 630,0/143182 | 711,9 | 32,00 | | X | X | | X |
| 1000,0/227272 | 1130,0 | 50,00 | | X | X | | X |
| 1600,0/363635 | 1760,0 | 71,48 | | X | X | | X |
| 2000,0/454544 | 2200,0 | 91,00 | | X | X | | X |
| 2500,0/568180 | 2750,0 | 120,40 | | X | X | | X |



Standard range



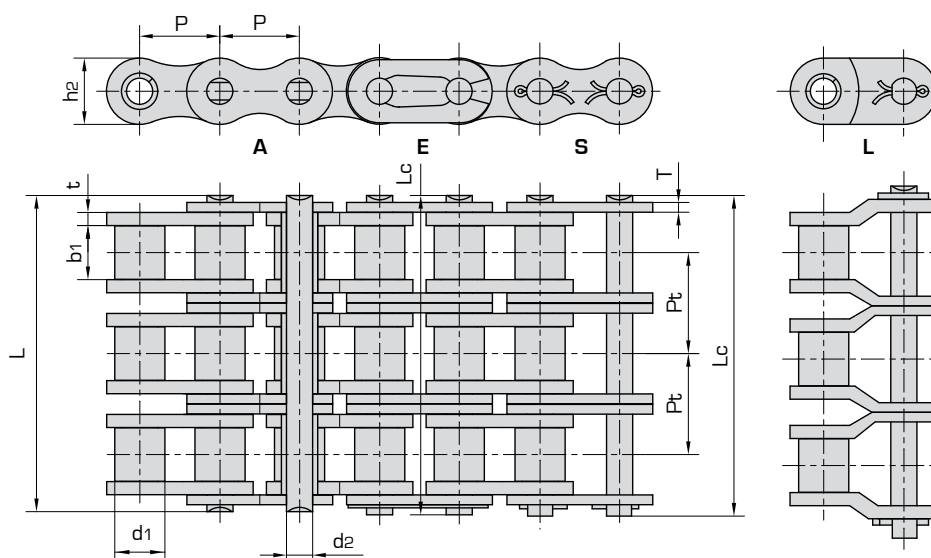
All Donghua roller chains are: Pre-loaded, Fatigue resistant, Wear resistant and Pre-lubricated. Donghua simplex, duplex and triplex roller chains are manufactured according to ISO 606 DIN8187, standard pre-loaded, pre-lubricated, do have seamless rollers and are marked with production batch code number for complete traceability. All Donghua roller chains are sealed in plastic bags and packed in cardboard boxes with clear ISO 606 DIN descriptions and safety instructions. Standard packaging size is 5 meter box, reels are available on request. Cut to length service is available on request. Several test certificates like breaking load, length tolerance and material analyses are possible and available on request. Rollers chains which are needed for 'run as pairs' applications can be matched as pairs on request. DIN, 1/2DIN and 1/3DIN length tolerance are possible, please ask us for a quotation. For high temperature, low temperature, food application or special environments different kind of special lubricants are available. Please ask our sales team for any special needs. For drive chain calculation and right dimension check, please contact our engineering department, also see drive chain calculation data sheet on page 301. By filling this data sheet and sending this to our engineering department you will receive a detailed drive chain calculation including life time expectation. Sprockets are available for all roller chains, with pilot bore, fixed bore, keyway, setscrew or bearing bore with grooves. Standard toothing, hardened toothing or special toothing are possible with pilot bore, fixed bore or taper bush. Chain tools, tensioners and chain lubricants please see page 302-310.

Short pitch precision roller chains (B series)

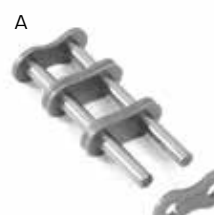
Triplex roller chains

| Part nr. | DIN/ISO 606 Chain no. | Pitch | Roller diameter | Width between inner plates | Pin diameter | Pin length | Inner plate depth | Plate thickness | Transverse pitch | |
|----------|-----------------------|--------|-----------------|----------------------------|--------------|------------|-------------------|-----------------|------------------|--------|
| | | P | d1 max | b1 min | d2 max | L max | Lc max | h2 max | T max | Pt |
| | | mm | mm | mm | mm | mm | mm | mm | mm | mm |
| 10005B-3 | 05B-3 | 8,000 | 5,00 | 3,00 | 2,31 | 19,5 | 20,2 | 7,10 | 0,80 | 5,64 |
| 10006B-3 | *06B-3 | 9,525 | 6,35 | 5,72 | 3,28 | 33,5 | 34,6 | 8,20 | 1,30 | 10,24 |
| 10008B-3 | 08B-3 | 12,700 | 8,51 | 7,75 | 4,45 | 45,1 | 46,1 | 11,80 | 1,60 | 13,92 |
| 10010B-3 | 10B-3 | 15,875 | 10,16 | 9,65 | 5,08 | 52,7 | 54,1 | 14,70 | 1,70 | 16,59 |
| 10012B-3 | 12B-3 | 19,050 | 12,07 | 11,68 | 5,72 | 61,5 | 63,1 | 16,00 | 1,85 | 19,46 |
| 10016B-3 | 16B-3 | 25,400 | 15,88 | 17,02 | 8,28 | 99,8 | 101,2 | 21,00 | 4,15/3,1 | 31,88 |
| 10020B-3 | 20B-3 | 31,750 | 19,05 | 19,56 | 10,19 | 114,2 | 117,9 | 26,40 | 4,50/3,5 | 36,45 |
| 10024B-3 | 24B-3 | 38,100 | 25,40 | 25,40 | 14,63 | 150,1 | 154,6 | 33,20 | 6,00/4,8 | 48,36 |
| 10028B-3 | 28B-3 | 44,450 | 27,94 | 30,99 | 15,90 | 184,2 | 188,7 | 36,70 | 7,50/6,0 | 59,56 |
| 10032B-3 | 32B-3 | 50,800 | 29,21 | 30,99 | 17,81 | 183,2 | 188,2 | 42,00 | 7,00/6,0 | 58,55 |
| 10040B-3 | 40B-3 | 63,500 | 39,37 | 38,10 | 22,89 | 226,8 | 233,8 | 52,96 | 8,50/8,0 | 72,29 |
| 10048B-3 | 48B-3 | 76,200 | 48,26 | 45,72 | 29,24 | 281,6 | 289,4 | 63,80 | 12,00/10,0 | 91,21 |
| 10056B-3 | 56B-3 | 88,900 | 53,98 | 53,34 | 34,32 | 327,8 | 336,2 | 77,80 | 13,50/12,0 | 106,6 |
| 10064B-3 | 64B-3 | 101,60 | 63,50 | 60,96 | 39,40 | 369,8 | 378,3 | 90,17 | 15,00/13,0 | 119,89 |
| 10072B-3 | 72B-3 | 114,30 | 72,39 | 68,58 | 44,48 | 420,0 | 429,0 | 103,60 | 17,00/15,0 | 136,27 |

* Straight side plates



| Ultimate tensile strength | Average tensile strength | Weight per meter | Available chain parts | | | | |
|---------------------------|--------------------------|------------------|-----------------------|---|---|---|---|
| Q min | Q0 | q | | | | | |
| kN/lbf | kN | kg/m | E | S | L | C | A |
| 11,1/2523 | 13,8 | 0,48 | X | | X | X | X |
| 24,9/5659 | 30,1 | 1,16 | X | | X | X | X |
| 47,5/10795 | 57,8 | 2,03 | X | X | X | X | X |
| 66,7/15159 | 84,5 | 2,77 | X | X | X | X | X |
| 86,7/19705 | 101,8 | 3,46 | X | X | X | X | X |
| 160,0/36364 | 227,1 | 8,13 | X | X | X | X | X |
| 250,0/56818 | 334,3 | 10,82 | | X | X | | X |
| 425,0/96591 | 493,0 | 20,10 | | X | X | | X |
| 530,0/120454 | 609,5 | 24,92 | | X | X | | X |
| 670,0/152273 | 770,5 | 31,56 | | X | X | | X |
| 950,0/215909 | 1092,5 | 48,10 | | X | X | | X |
| 1500,0/340909 | 1710,0 | 75,00 | | X | X | | X |
| 2240,0/545450 | 2464,0 | 107,18 | | X | X | | X |
| 3000,0/681820 | 3300,0 | 136,00 | | X | X | | X |
| 3750,0/852270 | 4125,0 | 180,00 | | X | X | | X |



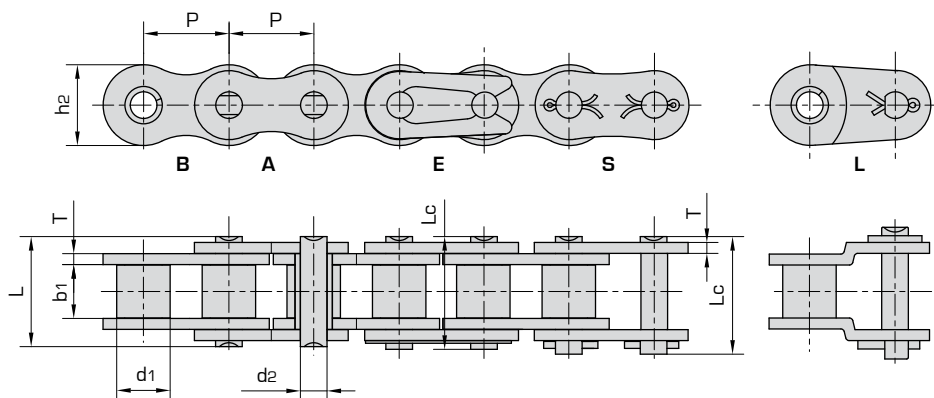
All Donghua roller chains are: Pre-loaded, Fatigue resistant, Wear resistant and Pre-lubricated. Donghua simplex, duplex and triplex roller chains are manufactured according to ISO 606 DIN 8187, standard pre-loaded, pre-lubricated, do have seamless rollers and are marked with production batch code number for complete traceability. All Donghua roller chains are sealed in plastic bags and packed in cardboard boxes with clear ISO 606 DIN descriptions and safety instructions. Standard packaging size is 5 meter box, reels are available on request. Cut to length service is available on request. Several test certificates like breaking load, length tolerance and material analyses are possible and available on request. Roller chains which are needed for 'run as pairs' applications can be matched as pairs on request. DIN, 1/2DIN and 1/3DIN length tolerance are possible, please ask us for a quotation. For high temperature, low temperature, food application or special environments different kind of special lubricants are available. Please ask our sales team for any special needs. For drive chain calculation and right dimension check, please contact our engineering department, also see drive chain calculation data sheet on page 301. By filling this data sheet and sending this to our engineering department you will receive a detailed drive chain calculation including life time expectation. Sprockets are available for all roller chains, with pilot bore, fixed bore, keyway, setscrew or bearing bore with grooves. Standard toothing, hardened toothing or special toothing are possible with pilot bore, fixed bore or taper bush. Chain tools, tensioners and chain lubricants please see page 302-310.

Short pitch precision roller chains (A series)

Simplex roller chains & bush chains

| Part nr. | DIN/ISO 606 Chain no. | ANSI Chain no. | Pitch | Roller diameter | Width between inner plates | Pin diameter | Pin length | | Inner plate depth | Plate thickness |
|----------|-----------------------------|-------------------|--------|--------------------|-------------------------------------|-----------------|------------|--------|-------------------------|--------------------|
| | | | | | | | L max | Lc max | | |
| | | | | | | | P | d1 max | | |
| | | mm | | mm | | mm | | mm | | |
| 10015-1 | *03C | *15 | 4,763 | 2,48 | 2,38 | 1,62 | 6,10 | 6,90 | 4,30 | 0,60 |
| 10025-1 | *04C-1 | *25 | 6,350 | 3,30 | 3,18 | 2,31 | 7,90 | 8,40 | 6,00 | 0,80 |
| 10035-1 | *06C-1 | *35 | 9,525 | 5,08 | 4,77 | 3,58 | 12,40 | 13,17 | 9,00 | 1,30 |
| 10041-1 | 085-1 | 41 | 12,700 | 7,77 | 6,25 | 3,58 | 13,75 | 15,00 | 9,91 | 1,30 |
| 10040-1 | 08A-1 | 40 | 12,700 | 7,95 | 7,85 | 3,96 | 16,60 | 17,80 | 12,00 | 1,50 |
| 10050-1 | 10A-1 | 50 | 15,875 | 10,16 | 9,40 | 5,08 | 20,70 | 22,20 | 15,09 | 2,03 |
| 10060-1 | 12A-1 | 60 | 19,050 | 11,91 | 12,57 | 5,94 | 25,90 | 27,70 | 18,00 | 2,42 |
| 10080-1 | 16A-1 | 80 | 25,400 | 15,88 | 15,75 | 7,92 | 32,70 | 35,00 | 24,00 | 3,25 |
| 100100-1 | 20A-1 | 100 | 31,750 | 19,05 | 18,90 | 9,53 | 40,40 | 44,70 | 30,00 | 4,00 |
| 100120-1 | 24A-1 | 120 | 38,100 | 22,23 | 25,22 | 11,10 | 50,30 | 54,30 | 35,70 | 4,80 |
| 100140-1 | 28A-1 | 140 | 44,450 | 25,40 | 25,22 | 12,70 | 54,40 | 59,00 | 41,00 | 5,60 |
| 100160-1 | 32A-1 | 160 | 50,800 | 28,58 | 31,55 | 14,27 | 64,80 | 69,60 | 47,80 | 6,40 |
| 100180-1 | 36A-1 | 180 | 57,150 | 35,71 | 35,48 | 17,46 | 72,80 | 78,60 | 53,60 | 7,20 |
| 100200-1 | 40A-1 | 200 | 63,500 | 39,68 | 37,85 | 19,85 | 80,30 | 87,20 | 60,00 | 8,00 |
| 100240-1 | 48A-1 | 240 | 76,200 | 47,63 | 47,35 | 23,81 | 95,50 | 103,00 | 72,39 | 9,50 |

* Bush chain: d1 in the table indicates the external diameter of the bush.



| Ultimate tensile strength | Average tensile strength | Weight per meter | Available chain parts | | | | | |
|---------------------------|--------------------------|------------------|-----------------------|---|---|---|---|---|
| Q min | Q0 | q | E | S | L | C | A | B |
| kN/lbf | kN | kg/m | | | | | | |
| 1,80/409 | 2,0 | 0,08 | X | | | X | X | X |
| 3,50/795 | 5,0 | 0,15 | X | | | X | X | X |
| 7,90/1795 | 11,3 | 0,33 | X | | X | X | X | X |
| 6,67/1516 | 12,6 | 0,41 | X | | X | X | X | X |
| 14,10/3205 | 18,6 | 0,62 | X | | X | X | X | X |
| 22,20/5045 | 31,3 | 1,02 | X | | X | X | X | X |
| 31,80/7227 | 43,2 | 1,50 | X | | X | X | X | X |
| 56,70/12886 | 74,3 | 2,60 | X | | X | X | X | X |
| 88,50/20114 | 107,6 | 3,91 | | X | X | | X | X |
| 127,00/28864 | 163,1 | 5,62 | | X | X | | X | X |
| 172,40/39182 | 222,5 | 7,50 | | X | X | | X | X |
| 226,80/51545 | 266,9 | 10,10 | | X | X | | X | X |
| 280,20/63682 | 361,1 | 13,45 | | X | X | | X | X |
| 353,80/80409 | 466,8 | 16,15 | | X | X | | X | X |
| 510,30/115977 | 671,6 | 23,20 | | X | X | | X | X |



All Donghua roller chains are: Pre-loaded, Fatigue resistant, Wear resistant and Pre-lubricated. Donghua simplex, duplex and triplex roller chains are manufactured according to ISO 606 DIN8187, standard pre-loaded, pre-lubricated, do have seamless rollers and are marked with production batch code number for complete traceability. All Donghua roller chains are sealed in plastic bags and packed in cardboard boxes with clear ISO 606 DIN descriptions and safety instructions. Standard packaging size is 5 meter box, reels are available on request. Rollers chains which are needed for 'run as pairs' applications can be matched as pairs on request. DIN, 1/2DIN and 1/3DIN length tolerance are possible, please ask us for a quotation. For high temperature, low temperature, food application or special environments different kind of special lubricants are available. Please ask our sales team for any special needs. For drive chain calculation and right dimension check, please contact our engineering department, also see drive chain calculation data sheet on page 301. By filling this data sheet and sending this to our engineering department you will receive a detailed drive chain calculation including life time expectation. Sprockets are available for all roller chains, with pilot bore, fixed bore, keyway, setscrew or bearing bore with grooves. Standard toothing, hardened toothing or special toothing are possible with pilot bore, fixed bore or taper bush. Chain tools, tensioners and chain lubricants please see page 302-310.

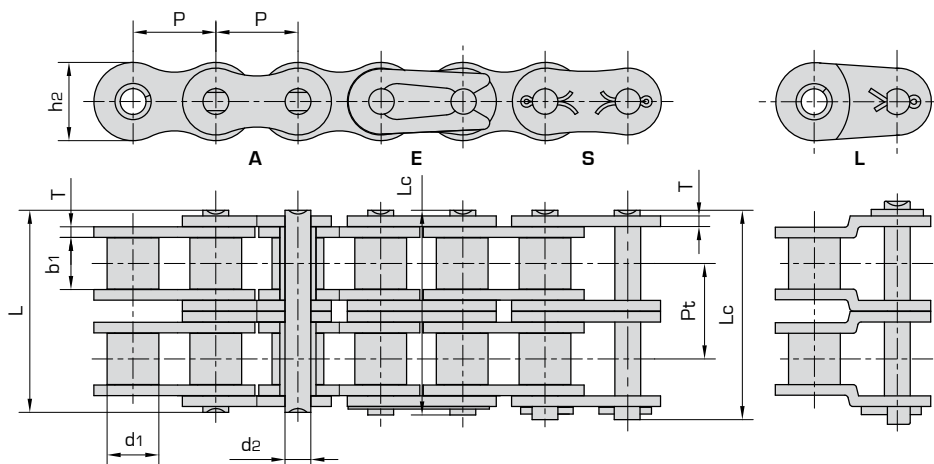
Standard range

Short pitch precision roller chains (A series)

Duplex roller chains & bush chains

| Part nr. | DIN/ISO 606 Chain no. | ANSI Chain no. | Pitch | Roller diameter | Width between inner plates | Pin diameter | Pin length | | Inner plate depth | Plate thickness | Transverse pitch |
|----------|-----------------------------|-------------------|--------|--------------------|-------------------------------------|-----------------|------------|--------|-------------------------|--------------------|---------------------|
| | | | | | | | L max | Lc max | | | |
| | | | | | | | P | d1 max | | | |
| mm | mm | mm | mm | mm | mm | mm | mm | mm | mm | mm | |
| 10025-2 | *04C-2 | *25-2 | 6,350 | 3,30 | 3,18 | 2,31 | 14,5 | 15,0 | 6,00 | 0,80 | 6,40 |
| 10035-2 | *06C-2 | *35-2 | 9,525 | 5,08 | 4,77 | 3,58 | 22,5 | 23,3 | 9,00 | 1,30 | 10,13 |
| 10041-1 | 085-2 | 41-2 | 12,700 | 7,77 | 6,25 | 3,58 | 25,7 | 26,9 | 9,91 | 1,30 | 11,95 |
| 10040-2 | 08A-2 | 40-2 | 12,700 | 7,95 | 7,85 | 3,96 | 31,0 | 32,2 | 12,00 | 1,50 | 14,38 |
| 10050-2 | 10A-2 | 50-2 | 15,875 | 10,16 | 9,40 | 5,08 | 38,9 | 40,4 | 15,09 | 2,03 | 18,11 |
| 10060-2 | 12A-2 | 60-2 | 19,050 | 11,91 | 12,57 | 5,94 | 48,8 | 50,5 | 18,00 | 2,42 | 22,78 |
| 10080-2 | 16A-2 | 80-2 | 25,400 | 15,88 | 15,75 | 7,92 | 62,7 | 64,3 | 24,00 | 3,25 | 29,29 |
| 100100-2 | 20A-2 | 100-2 | 31,750 | 19,05 | 18,90 | 9,53 | 76,4 | 80,5 | 30,00 | 4,00 | 35,76 |
| 100120-2 | 24A-2 | 120-2 | 38,100 | 22,23 | 25,22 | 11,10 | 95,8 | 99,7 | 35,70 | 4,80 | 45,44 |
| 100140-2 | 28A-2 | 140-2 | 44,450 | 25,40 | 25,22 | 12,70 | 103,3 | 107,9 | 41,00 | 5,60 | 48,87 |
| 100160-2 | 32A-2 | 160-2 | 50,800 | 28,58 | 31,55 | 14,27 | 123,3 | 128,1 | 47,80 | 6,40 | 58,55 |
| 100180-2 | 36A-2 | 180-2 | 57,150 | 35,71 | 35,48 | 17,46 | 138,6 | 144,4 | 53,60 | 7,20 | 65,84 |
| 100200-2 | 40A-2 | 200-2 | 63,500 | 39,68 | 37,85 | 19,85 | 151,9 | 158,8 | 60,00 | 8,00 | 71,55 |
| 100240-2 | 48A-2 | 240-2 | 76,200 | 47,63 | 47,35 | 23,81 | 183,4 | 190,8 | 72,39 | 9,50 | 87,83 |

* Bush chain: d1 in the table indicates the external diameter of the bush.



| Ultimate tensile strength | Average tensile strength | Weight per meter | Available chain parts | | | | |
|---------------------------|--------------------------|------------------|-----------------------|---|---|---|---|
| Q min | Q0 | q | E | S | L | C | A |
| kN/lbf | kN | kg/m | | | | | |
| 7,00/1591 | 10,0 | 0,28 | X | | | X | X |
| 15,80/3591 | 22,3 | 0,63 | X | | | X | X |
| 13,34/3032 | 16,9 | 0,81 | X | | X | X | X |
| 28,20/6409 | 37,2 | 1,12 | X | | X | X | X |
| 44,40/10091 | 62,6 | 2,00 | X | | X | X | X |
| 63,60/14455 | 86,4 | 2,92 | X | | X | X | X |
| 113,40/25773 | 148,6 | 5,15 | X | | X | X | X |
| 177,00/40227 | 215,2 | 7,80 | | X | X | | X |
| 254,00/57727 | 326,2 | 11,70 | | X | X | | X |
| 344,80/78364 | 445,0 | 15,14 | | X | X | | X |
| 453,60/103091 | 533,8 | 20,14 | | X | X | | X |
| 560,50/127386 | 722,2 | 29,22 | | X | X | | X |
| 707,60/160818 | 933,6 | 32,24 | | X | X | | X |
| 1020,60/213955 | 1343,2 | 45,23 | | X | X | | X |

E



S



L



C



A



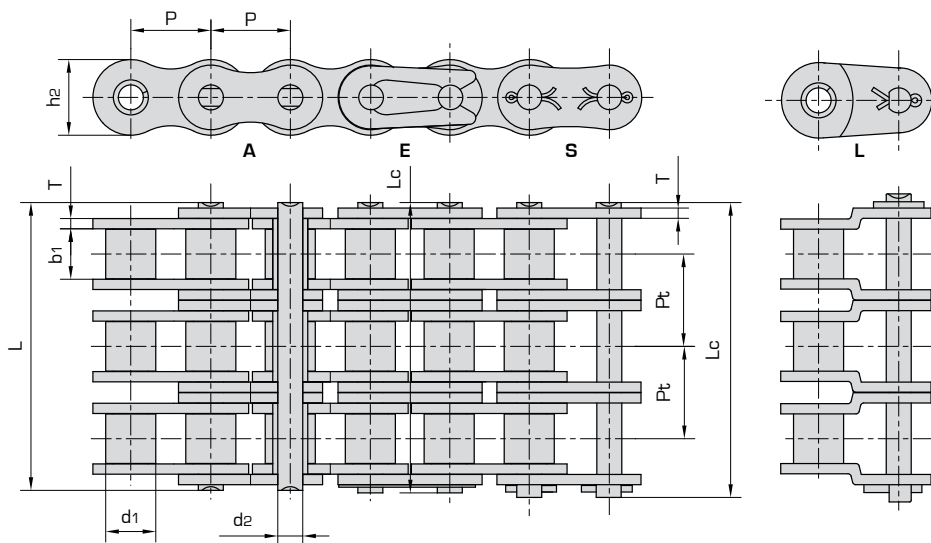
All Donghua roller chains are: Pre-loaded, Fatigue resistant, Wear resistant and Pre-lubricated. Donghua simplex, duplex and triplex roller chains are manufactured according to ISO 606 DIN8187, standard pre-loaded, pre-lubricated, do have seamless rollers and are marked with production batch code number for complete traceability. All Donghua roller chains are sealed in plastic bags and packed in cardboard boxes with clear ISO 606 DIN descriptions and safety instructions. Standard packaging size is 5 meter box, reels are available on request. Rollers chains which are needed for 'run as pairs' applications can be matched as pairs on request. DIN, 1/2DIN and 1/3DIN length tolerance are possible, please ask us for a quotation. For high temperature, low temperature, food application or special environments different kind of special lubricants are available. Please ask our sales team for any special needs. For drive chain calculation and right dimension check, please contact our engineering department, also see drive chain calculation data sheet on page 301. By filling this data sheet and sending this to our engineering department you will receive a detailed drive chain calculation including life time expectation. Sprockets are available for all roller chains, with pilot bore, fixed bore, keyway, setscrew or bearing bore with grooves. Standard toothing, hardened toothing or special toothing are possible with pilot bore, fixed bore or taper bush. Chain tools, tensioners and chain lubricants please see page 302-310.

Short pitch precision roller chains (A series)

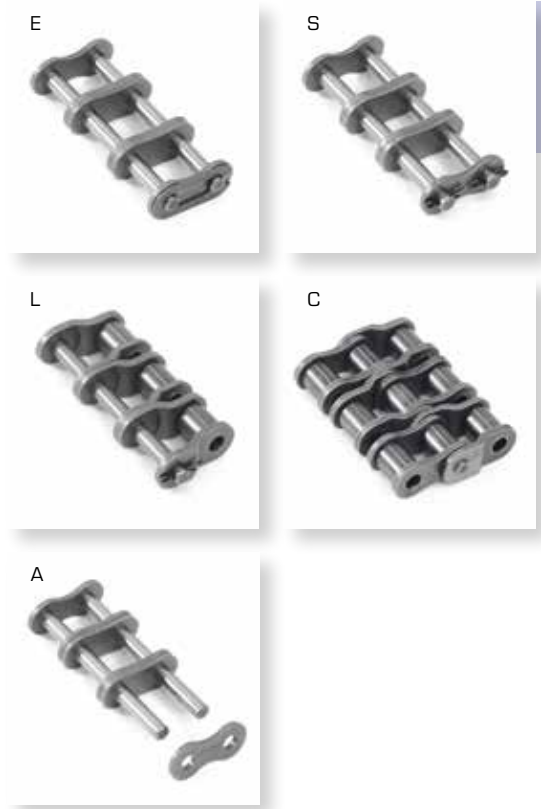
Triplex roller chains & bush chains

| Part nr. | DIN/ISO 606 Chain no. | ANSI Chain no. | Pitch | Roller diameter | Width between inner plates | Pin diameter | Pin length | | Inner plate depth | Plate thickness | Transverse pitch |
|----------|-----------------------------|-------------------|--------|--------------------|-------------------------------------|-----------------|------------|--------|-------------------------|--------------------|---------------------|
| | | | | | | | L max | Lc max | | | |
| | | | | | | | P | d1 max | | | |
| mm | mm | mm | mm | mm | mm | mm | mm | mm | mm | mm | |
| 10025-3 | *04C-3 | *25-3 | 6,350 | 3,30 | 3,18 | 2,31 | 21,0 | 21,5 | 6,00 | 0,80 | 6,40 |
| 10035-3 | *06C-3 | *35-3 | 9,525 | 5,08 | 4,77 | 3,58 | 32,7 | 33,5 | 9,00 | 1,30 | 10,13 |
| 10040-3 | 08A-3 | 40-3 | 12,700 | 7,95 | 7,85 | 3,96 | 45,4 | 46,6 | 12,00 | 1,50 | 14,38 |
| 10050-3 | 10A-3 | 50-3 | 15,875 | 10,16 | 9,40 | 5,08 | 57,0 | 58,5 | 15,09 | 2,03 | 18,11 |
| 10060-3 | 12A-3 | 60-3 | 19,050 | 11,91 | 12,57 | 5,94 | 71,5 | 73,3 | 18,00 | 2,42 | 22,78 |
| 10080-3 | 16A-3 | 80-3 | 25,400 | 15,88 | 15,75 | 7,92 | 91,7 | 93,6 | 24,00 | 3,25 | 29,29 |
| 100100-3 | 20A-3 | 100-3 | 31,750 | 19,05 | 18,90 | 9,53 | 112,2 | 116,3 | 30,00 | 4,00 | 35,76 |
| 100120-3 | 24A-3 | 120-3 | 38,100 | 22,23 | 25,22 | 11,10 | 141,4 | 145,2 | 35,70 | 4,80 | 45,44 |
| 100140-3 | 28A-3 | 140-3 | 44,450 | 25,40 | 25,22 | 12,70 | 152,2 | 156,8 | 41,00 | 5,60 | 48,87 |
| 100160-3 | 32A-3 | 160-3 | 50,800 | 28,58 | 31,55 | 14,27 | 181,8 | 186,6 | 47,80 | 6,40 | 58,55 |
| 100180-3 | 36A-3 | 180-3 | 57,150 | 35,71 | 35,48 | 17,46 | 204,4 | 210,2 | 53,60 | 7,20 | 65,84 |
| 100200-3 | 40A-3 | 200-3 | 63,500 | 39,68 | 37,85 | 19,85 | 223,5 | 230,4 | 60,00 | 8,00 | 71,55 |
| 100240-3 | 48A-3 | 240-3 | 76,200 | 47,63 | 47,35 | 23,81 | 271,3 | 278,6 | 72,39 | 9,50 | 87,83 |

* Bush chain: d1 in the table indicates the external diameter of the bush.



| Ultimate tensile strength | Average tensile strength | Weight per meter | Available chain parts | | | | |
|---------------------------|--------------------------|------------------|-----------------------|---|---|---|---|
| Q min | Q0 | q | E | S | L | C | A |
| kN/lbf | kN | kg/m | | | | | |
| 10,5/2386 | 15,0 | 0,44 | X | | | X | X |
| 23,7/5386 | 33,9 | 1,05 | X | | | X | X |
| 42,3/9614 | 55,8 | 1,90 | X | | X | | X |
| 66,6/15136 | 93,9 | 3,09 | X | | X | | X |
| 95,4/21682 | 129,6 | 4,54 | X | | X | | X |
| 170,1/38659 | 222,9 | 7,89 | X | | X | | X |
| 265,5/60341 | 322,8 | 11,77 | | X | X | | X |
| 381,0/86591 | 489,3 | 17,53 | | X | X | | X |
| 517,2/117545 | 667,5 | 22,20 | | X | X | | X |
| 680,4/154636 | 800,7 | 30,02 | | X | X | | X |
| 840,7/191068 | 1083,3 | 38,22 | | X | X | | X |
| 1061,4/241227 | 1400,4 | 49,03 | | X | X | | X |
| 1530,9/347932 | 2014,8 | 71,60 | | X | X | | X |



Standard range



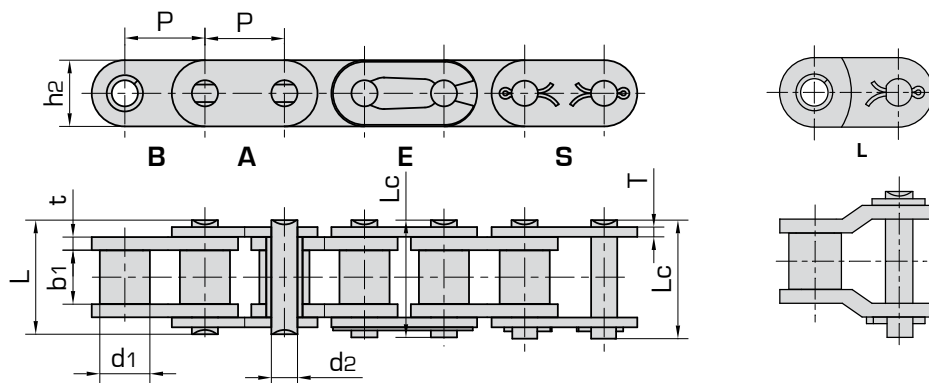
All Donghua roller chains are: Pre-loaded, Fatigue resistant, Wear resistant and Pre-lubricated. Donghua simplex, duplex and triplex roller chains are manufactured according to ISO 606 DIN8187, standard pre-loaded, pre-lubricated, do have seamless rollers and are marked with production batch code number for complete traceability. All Donghua roller chains are sealed in plastic bags and packed in cardboard boxes with clear ISO 606 DIN descriptions and safety instructions. Standard packaging size is 5 meter box, reels are available on request. Rollers chains which are needed for 'run as pairs' applications can be matched as pairs on request. DIN, 1/2DIN and 1/3DIN length tolerance are possible, please ask us for a quotation. For high temperature, low temperature, food application or special environments different kind of special lubricants are available. Please ask our sales team for any special needs. For drive chain calculation and right dimension check, please contact our engineering department, also see drive chain calculation data sheet on page 301. By filling this data sheet and sending this to our engineering department you will receive a detailed drive chain calculation including life time expectation. Sprockets are available for all roller chains, with pilot bore, fixed bore, keyway, setscrew or bearing bore with grooves. Standard toothing, hardened toothing or special toothing are possible with pilot bore, fixed bore or taper bush. Chain tools, tensioners and chain lubricants please see page 302-310.

Short pitch precision roller chains (B series)

With straight side plates

Simplex roller chains

| Part nr. | DIN/ISO 606 Chain no. | Pitch | Roller diameter | Width between inner plates | Pin diameter | Pin length | | Inner plate depth | Plate thickness |
|-----------------|-----------------------|--------|-----------------|----------------------------|--------------|------------|--------|-------------------|-----------------|
| | | P | d1 max | b1 min | d2 max | L max | Lc max | h2 max | T max |
| | | mm | mm | mm | mm | mm | mm | mm | mm |
| 10006B-1 | C06B-1 | 9,525 | 6,35 | 5,72 | 3,28 | 13,15 | 14,1 | 8,20 | 1,30 |
| 10008B-1 | C08B-1 | 12,700 | 8,51 | 7,75 | 4,45 | 16,70 | 18,2 | 11,80 | 1,60 |
| 10010B-1 | C10B-1 | 15,875 | 10,16 | 9,65 | 5,08 | 19,50 | 20,9 | 14,70 | 1,70 |
| 10012B-1 | C12B-1 | 19,050 | 12,07 | 11,68 | 5,72 | 22,50 | 24,2 | 16,00 | 1,85 |
| 10016B-1 | C16B-1 | 25,400 | 15,88 | 17,02 | 8,28 | 36,10 | 37,4 | 21,00 | 4,15/3,1 |
| 10020B-1 | C20B-1 | 31,750 | 19,05 | 19,56 | 10,19 | 41,30 | 45,0 | 26,40 | 4,50/3,5 |
| 10024B-1 | C24B-1 | 38,100 | 25,40 | 25,40 | 14,63 | 53,40 | 57,8 | 33,20 | 6,00/4,8 |
| 10028B-1 | C28B-1 | 44,450 | 27,94 | 30,99 | 15,90 | 65,10 | 69,5 | 36,70 | 7,50/6,0 |
| 10032B-1 | C32B-1 | 50,800 | 29,21 | 30,99 | 17,81 | 66,00 | 71,0 | 42,00 | 7,00/6,0 |



| Ultimate tensile strength | Average tensile strength | Weight per meter | Available chain parts | | | | | | |
|---------------------------|--------------------------|------------------|-----------------------|---|---|---|---|---|--|
| Q min | Q0 | q | E | S | L | C | A | B | |
| kN/lbf | kN | kg/m | | | | | | | |
| 9,0/2045 | 10,4 | 0,41 | X | | X | X | X | X | |
| 18,0/4091 | 19,4 | 0,69 | X | X | X | X | X | X | |
| 22,4/5091 | 27,5 | 0,93 | X | X | X | X | X | X | |
| 29,0/6591 | 32,2 | 1,15 | X | X | X | X | X | X | |
| 60,0/13636 | 72,8 | 2,71 | X | X | X | X | X | X | |
| 95,0/21591 | 106,7 | 3,70 | X | X | X | | X | X | |
| 160,0/36364 | 178,0 | 7,10 | | X | X | | X | X | |
| 200,0/45455 | 222,0 | 8,50 | | X | X | | X | X | |
| 250,0/56818 | 277,5 | 10,25 | | X | X | | X | X | |

E



S



A



L



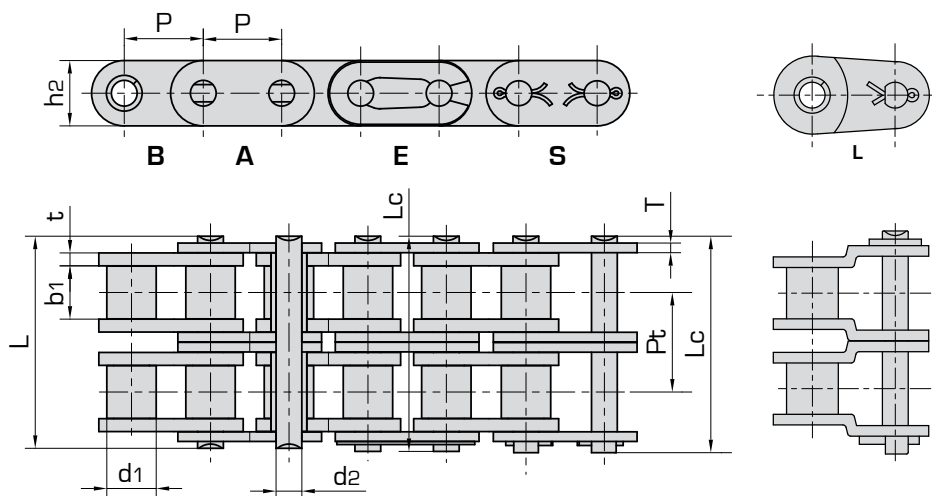
Donghua Straight Side Plate Roller Chains are built for conveying applications. The load capacity per Donghua Chain is exactly known; please ask our engineering department for any calculation examples. Donghua Straight Side Plate Roller Chains can be delivered in Stainless Steel 304 and 316, Zinc plated, Nickel plated, DR or ZinTek Coating and Self Lubricating versions. All Donghua roller chains are: Pre-loaded, Fatigue resistant, Wear resistant and Pre-lubricated. Donghua simplex, duplex and triplex roller chains are manufactured according to ISO 606 DIN8187, standard pre-loaded, pre-lubricated, do have seamless rollers and are marked with production batch code number for complete traceability. All Donghua roller chains are sealed in plastic bags and packed in cardboard boxes with clear ISO 606 DIN descriptions and safety instructions. Standard packaging size is 5 meter box, reels are available on request. Cut to length service is available on request. Several test certificates like breaking load, length tolerance and material analyses are possible and available on request. Rollers chains which are needed for 'run as pairs' applications can be matched as pairs on request. DIN, 1/2DIN and 1/3DIN length tolerance are possible, please ask us for a quotation. For high temperature, low temperature, food application or special environments different kind of special lubricants are available. Please ask our sales team for any special needs. For drive chain calculation and right dimension check, please contact our engineering department, also see drive chain calculation data sheet on page 301. By filling this data sheet and sending this to our engineering department you will receive a detailed drive chain calculation including life time expectation. Sprockets are available for all roller chains, with pilot bore, fixed bore, keyway, setscrew or bearing bore with grooves. Standard toothing, hardened toothing or special toothing are possible with pilot bore, fixed bore or taper bush. Chain tools, tensioners and chain lubricants please see page 302-310.

Short pitch precision roller chains (B series)

With straight side plates

Duplex roller chains

| Part nr. | DIN/ISO 606 Chain no. | Pitch | Roller diameter | Width between inner plates | Pin diameter | Pin length | Inner plate depth | Plate thickness | Transverse pitch | |
|------------------|-----------------------|--------|-----------------|----------------------------|--------------|------------|-------------------|-----------------|------------------|-------|
| | | P | d1 max | b1 min | d2 max | L max | Lc max | h2 max | T max | |
| | | mm | mm | mm | mm | mm | mm | mm | mm | |
| 10006B-2 | C06B-2 | 9,525 | 6,35 | 5,72 | 3,28 | 23,4 | 24,4 | 8,20 | 1,30 | 10,24 |
| 100C08B-2 | C08B-2 | 12,700 | 8,51 | 7,75 | 4,45 | 31,0 | 32,2 | 11,80 | 1,60 | 13,92 |
| 100C10B-2 | C10B-2 | 15,875 | 10,16 | 9,65 | 5,08 | 36,1 | 37,5 | 14,70 | 1,70 | 16,59 |
| 100C12B-2 | C12B-2 | 19,050 | 12,07 | 11,68 | 5,72 | 42,0 | 43,6 | 16,00 | 1,85 | 19,46 |
| 100C16B-2 | C16B-2 | 25,400 | 15,88 | 17,02 | 8,28 | 68,0 | 69,3 | 21,00 | 4,15/3,1 | 31,88 |
| 100C20B-2 | C20B-2 | 31,750 | 19,05 | 19,56 | 10,19 | 77,8 | 81,5 | 26,40 | 4,50/3,5 | 36,45 |
| 100C24B-2 | C24B-2 | 38,100 | 25,40 | 25,40 | 14,63 | 101,7 | 106,2 | 33,20 | 6,00/4,8 | 48,36 |
| 100C28B-2 | C28B-2 | 44,450 | 27,94 | 30,99 | 15,90 | 124,6 | 129,1 | 36,70 | 7,50/6,0 | 59,56 |
| 100C32B-2 | C32B-2 | 50,800 | 29,21 | 30,99 | 17,81 | 124,6 | 129,6 | 42,00 | 7,00/6,0 | 58,55 |



| Ultimate tensile strength | Average tensile strength | Weight per meter | Available chain parts | | | | |
|---------------------------|--------------------------|------------------|-----------------------|---|---|---|---|
| Q min | Q0 | q | E | S | L | C | A |
| kN/lbf | kN | kg/m | | | | | |
| 16,9/3841 | 18,7 | 0,77 | X | | X | X | X |
| 32,0/7273 | 38,7 | 1,34 | X | X | X | X | X |
| 44,5/10114 | 56,2 | 1,84 | X | X | X | X | X |
| 57,8/13136 | 66,1 | 2,31 | X | X | X | X | X |
| 106,0/24091 | 133,0 | 5,42 | X | X | X | X | X |
| 170,0/38636 | 211,2 | 7,20 | | X | X | | X |
| 280,0/63636 | 319,2 | 13,40 | | X | X | | X |
| 360,0/81818 | 406,8 | 16,60 | | X | X | | X |
| 450,0/102273 | 508,5 | 21,00 | | X | X | | X |

E



S



A



L



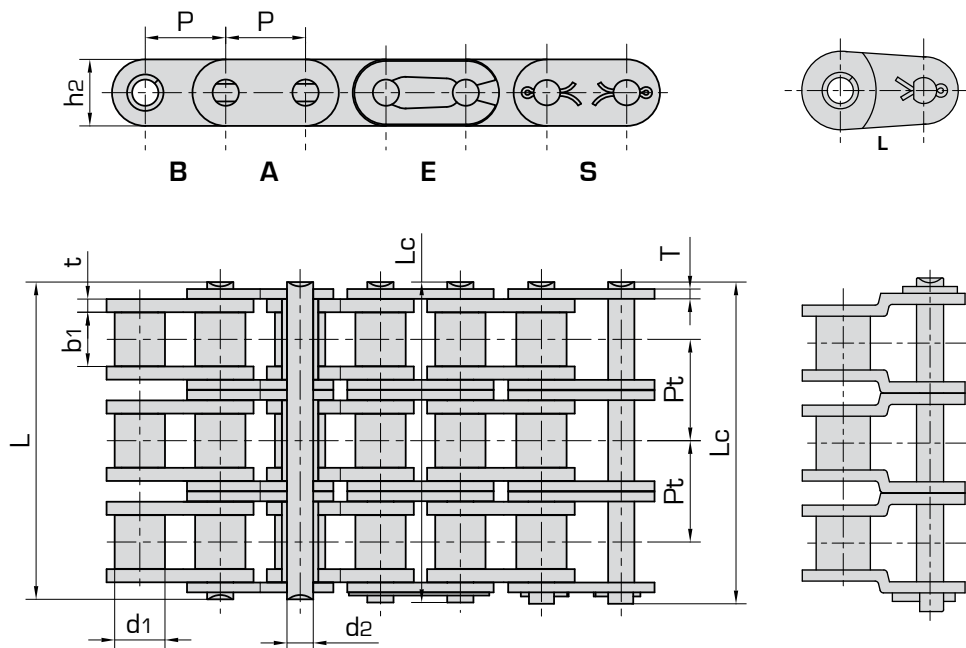
Donghua Straight Side Plate Roller Chains are built for conveying applications. The load capacity per Donghua Chain is exactly known; please ask our engineering department for any calculation examples. Donghua Straight Side Plate Roller Chains can be delivered in Stainless Steel 304 and 316, Zinc plated, Nickel plated, DR or ZinTek Coating and Self Lubricating versions. All Donghua roller chains are: Pre-loaded, Fatigue resistant, Wear resistant and Pre-lubricated. Donghua simplex, duplex and triplex roller chains are manufactured according to ISO 606 DIN8187, standard pre-loaded, pre-lubricated, do have seamless rollers and are marked with production batch code number for complete traceability. All Donghua roller chains are sealed in plastic bags and packed in cardboard boxes with clear ISO 606 DIN descriptions and safety instructions. Standard packaging size is 5 meter box, reels are available on request. Cut to length service is available on request. Several test certificates like breaking load, length tolerance and material analyses are possible and available on request. Rollers chains which are needed for 'run as pairs' applications can be matched as pairs on request. DIN, 1/2DIN and 1/3DIN length tolerance are possible, please ask us for a quotation. For high temperature, low temperature, food application or special environments different kind of special lubricants are available. Please ask our sales team for any special needs. For drive chain calculation and right dimension check, please contact our engineering department, also see drive chain calculation data sheet on page 301. By filling this data sheet and sending this to our engineering department you will receive a detailed drive chain calculation including life time expectation. Sprockets are available for all roller chains, with pilot bore, fixed bore, keyway, setscrew or bearing bore with grooves. Standard toothing, hardened toothing or special toothing are possible with pilot bore, fixed bore or taper bush. Chain tools, tensioners and chain lubricants please see page 302-310.

Short pitch precision roller chains (B series)

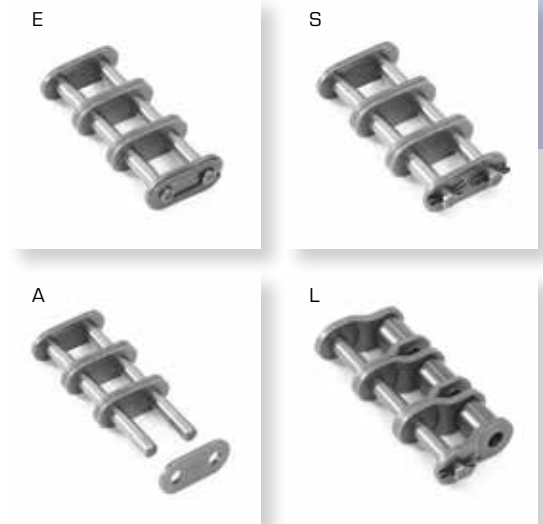
With straight side plates

Triplex roller chains

| Part nr. | DIN/ISO 606 Chain no. | Pitch | Roller diameter | Width between inner plates | Pin diameter | Pin length | Inner plate depth | Plate thickness | Transverse pitch | |
|------------------|-----------------------|--------|-----------------|----------------------------|--------------|------------|-------------------|-----------------|------------------|-------|
| | | P | d1 max | b1 min | d2 max | L max | Lc max | h2 max | T max | |
| | | mm | mm | mm | mm | mm | mm | mm | mm | |
| 10006B-3 | C06B-3 | 9,525 | 6,35 | 5,72 | 3,28 | 33,5 | 34,6 | 8,20 | 1,30 | 10,24 |
| 100C08B-3 | C08B-3 | 12,700 | 8,51 | 7,75 | 4,45 | 45,1 | 46,1 | 11,80 | 1,60 | 13,92 |
| 100C10B-3 | C10B-3 | 15,875 | 10,16 | 9,65 | 5,08 | 52,7 | 54,1 | 14,70 | 1,70 | 16,59 |
| 100C12B-3 | C12B-3 | 19,050 | 12,07 | 11,68 | 5,72 | 61,5 | 63,1 | 16,00 | 1,85 | 19,46 |
| 100C16B-3 | C16B-3 | 25,400 | 15,88 | 17,02 | 8,28 | 99,8 | 101,2 | 21,00 | 4,15/3,1 | 31,88 |
| 100C20B-3 | C20B-3 | 31,750 | 19,05 | 19,56 | 10,19 | 114,2 | 117,9 | 26,40 | 4,50/3,5 | 36,45 |
| 100C24B-3 | C24B-3 | 38,100 | 25,40 | 25,40 | 14,63 | 150,1 | 154,6 | 33,20 | 6,00/4,8 | 48,36 |
| 100C28B-3 | C28B-3 | 44,450 | 27,94 | 30,99 | 15,90 | 184,2 | 188,7 | 36,70 | 7,50/6,0 | 59,56 |
| 100C32B-3 | C32B-3 | 50,800 | 29,21 | 30,99 | 17,81 | 183,2 | 188,2 | 42,00 | 7,00/6,0 | 58,55 |



| Ultimate tensile strength | Average tensile strength | Weight per meter | Available chain parts | | | | |
|---------------------------|--------------------------|------------------|-----------------------|---|---|---|---|
| Q min | Q0 | q | E | S | L | C | A |
| kN/lbf | kN | kg/m | | | | | |
| 24,9/5659 | 30,1 | 1,16 | X | | X | X | X |
| 47,5/10795 | 57,8 | 2,03 | X | X | X | X | X |
| 66,7/15159 | 84,5 | 2,77 | X | X | X | X | X |
| 86,7/19705 | 101,8 | 3,46 | X | X | X | X | X |
| 160,0/36364 | 203,7 | 8,13 | X | X | X | X | X |
| 250,0/56818 | 290,0 | 10,82 | | X | X | | X |
| 425,0/96591 | 493,0 | 20,10 | | X | X | | X |
| 530,0/120454 | 609,5 | 24,92 | | X | X | | X |
| 670,0/152273 | 770,5 | 31,56 | | X | X | | X |



Standard range



Donghua Straight Side Plate Roller Chains are built for conveying applications. The load capacity per Donghua Chain is exactly known; please ask our engineering department for any calculation examples. Donghua Straight Side Plate Roller Chains can be delivered in Stainless Steel 304 and 316, Zinc plated, Nickel plated, DR or ZinTek Coating and Self Lubricating versions. All Donghua roller chains are: Pre-loaded, Fatigue resistant, Wear resistant and Pre-lubricated. Donghua simplex, duplex and triplex roller chains are manufactured according to ISO 606 DIN8187, standard pre-loaded, pre-lubricated, do have seamless rollers and are marked with production batch code number for complete traceability. All Donghua roller chains are sealed in plastic bags and packed in cardboard boxes with clear ISO 606 DIN descriptions and safety instructions. Standard packaging size is 5 meter box, reels are available on request. Cut to length service is available on request. Several test certificates like breaking load, length tolerance and material analyses are possible and available on request. Rollers chains which are needed for 'run as pairs' applications can be matched as pairs on request. DIN, 1/2DIN and 1/3DIN length tolerance are possible, please ask us for a quotation. For high temperature, low temperature, food application or special environments different kind of special lubricants are available. Please ask our sales team for any special needs. For drive chain calculation and right dimension check, please contact our engineering department, also see drive chain calculation data sheet on page 301. By filling this data sheet and sending this to our engineering department you will receive a detailed drive chain calculation including life time expectation. Sprockets are available for all roller chains, with pilot bore, fixed bore, keyway, setscrew or bearing bore with grooves. Standard toothing, hardened toothing or special toothing are possible with pilot bore, fixed bore or taper bush. Chain tools, tensioners and chain lubricants please see page 302-310.

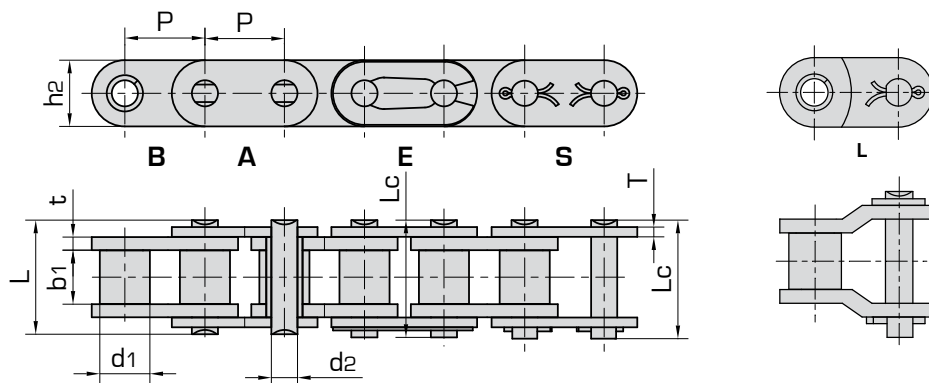
Short pitch precision roller chains (A series)

With straight side plates

Simplex roller chains & bush chains

| Part nr. | DIN/ISO 606 Chain no. | ANSI Chain no. | Pitch | Roller diameter | Width between inner plates | Pin diameter | Pin length | | Inner plate depth | Plate thickness |
|------------------|-----------------------|----------------|--------|-----------------|----------------------------|--------------|------------|--------|-------------------|-----------------|
| | | | | d1 max | b1 min | d2 max | L max | Lc max | h2 max | T max |
| | | | | mm | mm | mm | mm | mm | mm | mm |
| 100C25-1 | *C04C-1 | *25 | 6,350 | 3,30 | 3,18 | 2,31 | 7,90 | 8,40 | 6,00 | 0,80 |
| 100C35-1 | *C06C-1 | *35 | 9,525 | 5,08 | 4,77 | 3,58 | 12,40 | 13,17 | 9,00 | 1,30 |
| 100C40-1 | C08A-1 | 40 | 12,700 | 7,95 | 7,85 | 3,96 | 16,60 | 17,80 | 12,00 | 1,50 |
| 100C50-1 | C10A-1 | 50 | 15,875 | 10,16 | 9,40 | 5,08 | 20,70 | 22,20 | 15,09 | 2,03 |
| 100C60-1 | C12A-1 | 60 | 19,050 | 11,91 | 12,57 | 5,94 | 25,90 | 27,70 | 18,00 | 2,42 |
| 100C80-1 | C16A-1 | 80 | 25,400 | 15,88 | 15,75 | 7,92 | 32,70 | 35,00 | 24,00 | 3,25 |
| 100C100-1 | C20A-1 | 100 | 31,750 | 19,05 | 18,90 | 9,53 | 40,40 | 44,70 | 30,00 | 4,00 |
| 100C120-1 | C24A-1 | 120 | 38,100 | 22,23 | 25,22 | 11,10 | 50,30 | 54,30 | 35,70 | 4,80 |
| 100C140-1 | C28A-1 | 140 | 44,450 | 25,40 | 25,22 | 12,70 | 54,40 | 59,00 | 41,00 | 5,60 |
| 100C160-1 | C32A-1 | 160 | 50,800 | 28,58 | 31,55 | 14,27 | 64,80 | 69,60 | 47,80 | 6,40 |

* Bush chain: d1 in the table indicates the external diameter of the bush.



| Ultimate tensile strength | Average tensile strength | Weight per meter | Available chain parts | | | | | |
|---------------------------|--------------------------|------------------|-----------------------|---|---|---|---|---|
| Q min | Q0 | q | E | S | L | C | A | B |
| kN/lbf | kN | kg/m | | | | | | |
| 3,50/795 | 4,6 | 0,15 | X | | | X | X | X |
| 7,90/1795 | 10,8 | 0,33 | X | | X | X | X | X |
| 14,10/3205 | 17,5 | 0,62 | X | | X | X | X | X |
| 22,20/5045 | 29,4 | 1,02 | X | | X | X | X | X |
| 31,80/7227 | 41,5 | 1,50 | X | | X | X | X | X |
| 56,70/12886 | 69,4 | 2,60 | X | | X | X | X | X |
| 88,50/20114 | 109,2 | 3,91 | | X | X | | X | X |
| 127,00/28864 | 156,3 | 5,62 | | X | X | | X | X |
| 172,40/39182 | 212,0 | 7,50 | | X | X | | X | X |
| 226,80/51545 | 278,9 | 10,10 | | X | X | | X | X |



Standard range



Donghua Straight Side Plate Roller Chains are built for conveying applications. The load capacity per Donghua Chain is exactly known; please ask our engineering department for any calculation examples. Donghua Straight Side Plate Roller Chains can be delivered in Stainless Steel 304 and 316, Zinc plated, Nickel plated, DR or ZinTek Coating and Self Lubricating versions. All Donghua roller chains are: Pre-loaded, Fatigue resistant, Wear resistant and Pre-lubricated. Donghua simplex, duplex and triplex roller chains are manufactured according to ISO 606 DIN8187, standard pre-loaded, pre-lubricated, do have seamless rollers and are marked with production batch code number for complete traceability. All Donghua roller chains are sealed in plastic bags and packed in cardboard boxes with clear ISO 606 DIN descriptions and safety instructions. Standard packaging size is 5 meter box, reels are available on request. Cut to length service is available on request. Several test certificates like breaking load, length tolerance and material analyses are possible and available on request. Rollers chains which are needed for 'run as pairs' applications can be matched as pairs on request. DIN, 1/2DIN and 1/3DIN length tolerance are possible, please ask us for a quotation. For high temperature, low temperature, food application or special environments different kind of special lubricants are available. Please ask our sales team for any special needs. For drive chain calculation and right dimension check, please contact our engineering department, also see drive chain calculation data sheet on page 301. By filling this data sheet and sending this to our engineering department you will receive a detailed drive chain calculation including life time expectation. Sprockets are available for all roller chains, with pilot bore, fixed bore, keyway, setscrew or bearing bore with grooves. Standard toothing, hardened toothing or special toothing are possible with pilot bore, fixed bore or taper bush. Chain tools, tensioners and chain lubricants please see page 302-310.

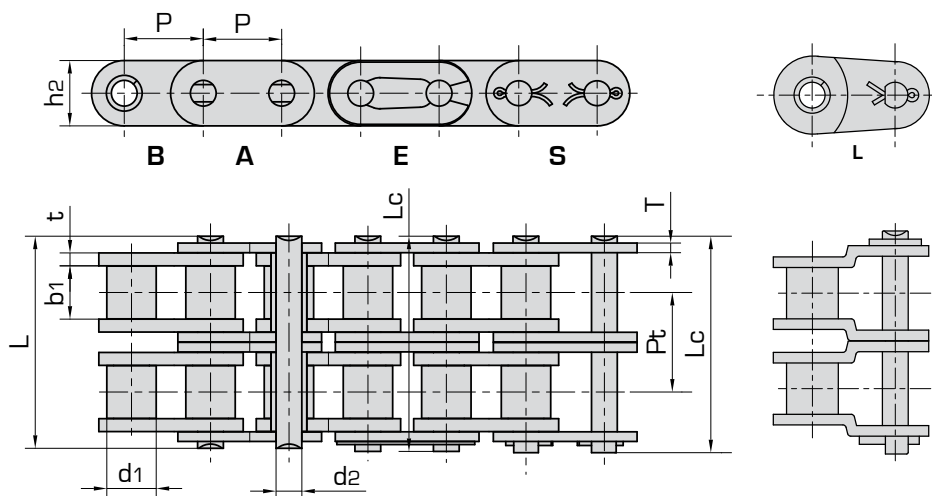
Short pitch precision roller chains (A series)

With straight side plates

Duplex roller chains & bush chains

| Part nr. | DIN/ISO 606 Chain no. | ANSI Chain no. | Pitch | Roller diameter | Width between inner plates | Pin diameter | Pin length | | Inner plate depth | Plate thickness | Transverse pitch |
|-----------|-----------------------|----------------|--------|-----------------|----------------------------|--------------|------------|--------|-------------------|-----------------|------------------|
| | | | | | | | L max | Lc max | | | |
| | | | | | | | P | d1 max | | | |
| mm | mm | mm | mm | mm | mm | mm | mm | mm | mm | mm | |
| 100C25-2 | *C04C-2 | *25-2 | 6,350 | 3,30 | 3,18 | 2,31 | 14,5 | 15,0 | 6,00 | 0,80 | 6,40 |
| 100C35-2 | *C06C-2 | *35-2 | 9,525 | 5,08 | 4,77 | 3,58 | 22,5 | 23,3 | 9,00 | 1,30 | 10,13 |
| 100C40-2 | C08A-2 | 40-2 | 12,700 | 7,95 | 7,85 | 3,96 | 31,0 | 32,2 | 12,00 | 1,50 | 14,38 |
| 100C50-2 | C10A-2 | 50-2 | 15,875 | 10,16 | 9,40 | 5,08 | 38,9 | 40,4 | 15,09 | 2,03 | 18,11 |
| 100C60-2 | C12A-2 | 60-2 | 19,050 | 11,91 | 12,57 | 5,94 | 48,8 | 50,5 | 18,00 | 2,42 | 22,78 |
| 100C80-2 | C16A-2 | 80-2 | 25,400 | 15,88 | 15,75 | 7,92 | 62,7 | 64,3 | 24,00 | 3,25 | 29,29 |
| 100C100-2 | C20A-2 | 100-2 | 31,750 | 19,05 | 18,90 | 9,53 | 76,4 | 80,5 | 30,00 | 4,00 | 35,76 |
| 100C120-2 | C24A-2 | 120-2 | 38,100 | 22,23 | 25,22 | 11,10 | 95,8 | 99,7 | 35,70 | 4,80 | 45,44 |
| 100C140-2 | C28A-2 | 140-2 | 44,450 | 25,40 | 25,22 | 12,70 | 103,3 | 107,9 | 41,00 | 5,60 | 48,87 |
| 100C160-2 | C32A-2 | 160-2 | 50,800 | 28,58 | 31,55 | 14,27 | 123,3 | 128,1 | 47,80 | 6,40 | 58,55 |

* Bush chain: d1 in the table indicates the external diameter of the bush.



| Ultimate tensile strength | Average tensile strength | Weight per meter | Available chain parts | | | | |
|---------------------------|--------------------------|------------------|-----------------------|---|---|---|---|
| Q min | Q0 | q | E | S | L | C | A |
| kN/lbf | kN | kg/m | | | | | |
| 7,00/1591 | 8,6 | 0,28 | X | | | X | X |
| 15,80/3591 | 19,7 | 0,63 | X | | | X | X |
| 28,20/6409 | 35,9 | 1,12 | X | | X | X | X |
| 44,40/10091 | 58,1 | 2,00 | X | | X | X | X |
| 63,60/14455 | 82,1 | 2,92 | X | | X | X | X |
| 113,40/25773 | 141,8 | 5,15 | X | | X | X | X |
| 177,00/40227 | 219,4 | 7,80 | | X | X | | X |
| 254,00/57727 | 314,9 | 11,70 | | X | X | | X |
| 344,80/78364 | 427,5 | 15,14 | | X | X | | X |
| 453,60/103091 | 562,4 | 20,14 | | X | X | | X |

E



S



A



Donghua Straight Side Plate Roller Chains are built for conveying applications. The load capacity per Donghua Chain is exactly known; please ask our engineering department for any calculation examples. Donghua Straight Side Plate Roller Chains can be delivered in Stainless Steel 304 and 316, Zinc plated, Nickel plated, DR or ZinTek Coating and Self Lubricating versions. All Donghua roller chains are: Pre-loaded, Fatigue resistant, Wear resistant and Pre-lubricated. Donghua simplex, duplex and triplex roller chains are manufactured according to ISO 606 DIN8187, standard pre-loaded, pre-lubricated, do have seamless rollers and are marked with production batch code number for complete traceability. All Donghua roller chains are sealed in plastic bags and packed in cardboard boxes with clear ISO 606 DIN descriptions and safety instructions. Standard packaging size is 5 meter box, reels are available on request. Cut to length service is available on request. Several test certificates like breaking load, length tolerance and material analyses are possible and available on request. Rollers chains which are needed for 'run as pairs' applications can be matched as pairs on request. DIN, 1/2DIN and 1/3DIN length tolerance are possible, please ask us for a quotation. For high temperature, low temperature, food application or special environments different kind of special lubricants are available. Please ask our sales team for any special needs. For drive chain calculation and right dimension check, please contact our engineering department, also see drive chain calculation data sheet on page 301. By filling this data sheet and sending this to our engineering department you will receive a detailed drive chain calculation including life time expectation. Sprockets are available for all roller chains, with pilot bore, fixed bore, keyway, setscrew or bearing bore with grooves. Standard toothing, hardened toothing or special toothing are possible with pilot bore, fixed bore or taper bush. Chain tools, tensioners and chain lubricants please see page 302-310.

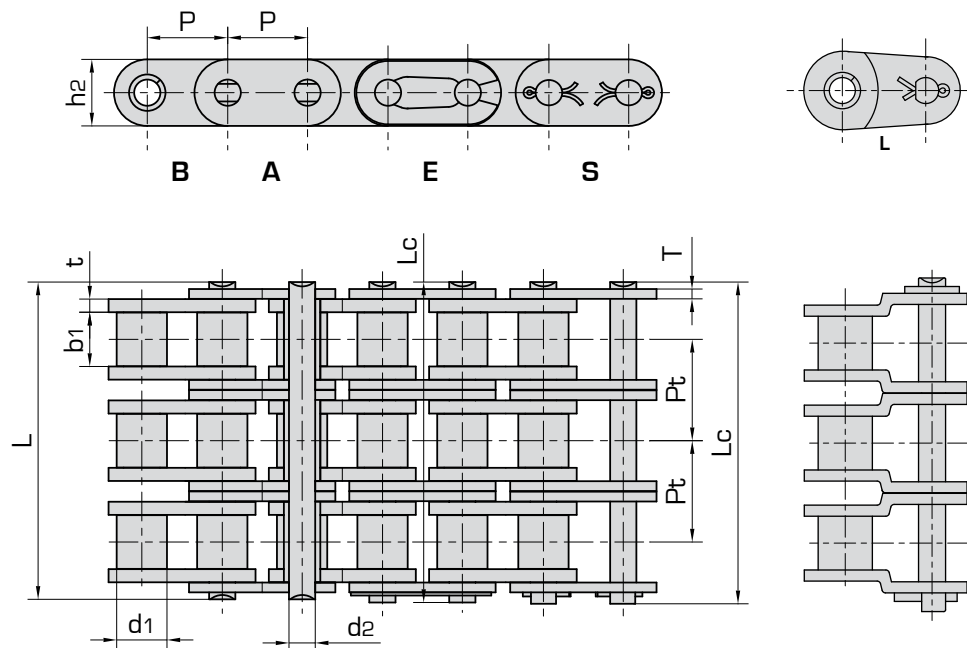
Short pitch precision roller chains (A series)

With straight side plates

Triplex roller chains & bush chains

| Part nr. | DIN/ISO 606 Chain no. | ANSI Chain no. | Pitch | Roller diameter | | Pin diameter | | Pin length | | Inner plate depth | Plate thickness | Transverse pitch |
|------------------|--------------------------|-------------------|--------|-----------------|--------|--------------|-------|------------|-------|----------------------|--------------------|---------------------|
| | | | | d1 max | b1 min | d2 max | L max | Lc max | | | | |
| | | | | mm | mm | mm | mm | mm | mm | | | |
| 100C25-3 | *C04C-3 | *25-3 | 6,350 | 3,30 | 3,18 | 2,31 | 21,0 | 21,5 | 6,00 | 0,80 | 6,40 | |
| 100C35-3 | *C06C-3 | *35-3 | 9,525 | 5,08 | 4,77 | 3,58 | 32,7 | 33,5 | 9,00 | 1,30 | 10,13 | |
| 100C40-3 | C08A-3 | 40-3 | 12,700 | 7,95 | 7,85 | 3,96 | 45,4 | 46,6 | 12,00 | 1,50 | 14,38 | |
| 100C50-3 | C10A-3 | 50-3 | 15,875 | 10,16 | 9,40 | 5,08 | 57,0 | 58,5 | 15,09 | 2,03 | 18,11 | |
| 100C60-3 | C12A-3 | 60-3 | 19,050 | 11,91 | 12,57 | 5,94 | 71,5 | 73,3 | 18,00 | 2,42 | 22,78 | |
| 100C80-3 | C16A-3 | 80-3 | 25,400 | 15,88 | 15,75 | 7,92 | 91,7 | 93,6 | 24,00 | 3,25 | 29,29 | |
| 100C100-3 | C20A-3 | 100-3 | 31,750 | 19,05 | 18,90 | 9,53 | 112,2 | 116,3 | 30,00 | 4,00 | 35,76 | |
| 100C120-3 | C24A-3 | 120-3 | 38,100 | 22,23 | 25,22 | 11,10 | 141,4 | 145,2 | 35,70 | 4,80 | 45,44 | |
| 100C140-3 | C28A-3 | 140-3 | 44,450 | 25,40 | 25,22 | 12,70 | 152,2 | 156,8 | 41,00 | 5,60 | 48,87 | |
| 100C160-3 | C32A-3 | 160-3 | 50,800 | 28,58 | 31,55 | 14,27 | 181,8 | 186,6 | 47,80 | 6,40 | 58,55 | |

* Bush chain: d1 in the table indicates the external diameter of the bush.



| Ultimate tensile strength | Average tensile strength | Weight per meter | Available chain parts | | | | |
|---------------------------|--------------------------|------------------|-----------------------|---|---|---|---|
| Q min | Q0 | q | E | S | L | C | A |
| kN/lbf | kN | kg/m | | | | | |
| 10,5/2386 | 12,6 | 0,44 | X | | | X | X |
| 23,7/5386 | 28,6 | 1,05 | X | | | X | X |
| 42,3/9614 | 50,0 | 1,90 | X | | X | | X |
| 66,6/15136 | 77,8 | 3,09 | X | | X | | X |
| 95,4/21682 | 111,1 | 4,54 | X | | X | | X |
| 170,1/38659 | 198,4 | 7,89 | X | | X | | X |
| 265,5/60341 | 309,6 | 11,77 | | X | X | | X |
| 381,0/86591 | 437,2 | 17,53 | | X | X | | X |
| 517,2/117545 | 593,3 | 22,20 | | X | X | | X |
| 680,4/154636 | 780,6 | 30,02 | | X | X | | X |

E



S



A



Donghua Straight Side Plate Roller Chains are built for conveying applications. The load capacity per Donghua Chain is exactly known; please ask our engineering department for any calculation examples. Donghua Straight Side Plate Roller Chains can be delivered in Stainless Steel 304 and 316, Zinc plated, Nickel plated, DR or ZinTek Coating and Self Lubricating versions. All Donghua roller chains are: Pre-loaded, Fatigue resistant, Wear resistant and Pre-lubricated. Donghua simplex, duplex and triplex roller chains are manufactured according to ISO 606 DIN8187, standard pre-loaded, pre-lubricated, do have seamless rollers and are marked with production batch code number for complete traceability. All Donghua roller chains are sealed in plastic bags and packed in cardboard boxes with clear ISO 606 DIN descriptions and safety instructions. Standard packaging size is 5 meter box, reels are available on request. Cut to length service is available on request. Several test certificates like breaking load, length tolerance and material analyses are possible and available on request. Rollers chains which are needed for 'run as pairs' applications can be matched as pairs on request. DIN, 1/2DIN and 1/3DIN length tolerance are possible, please ask us for a quotation. For high temperature, low temperature, food application or special environments different kind of special lubricants are available. Please ask our sales team for any special needs. For drive chain calculation and right dimension check, please contact our engineering department, also see drive chain calculation data sheet on page 301. By filling this data sheet and sending this to our engineering department you will receive a detailed drive chain calculation including life time expectation. Sprockets are available for all roller chains, with pilot bore, fixed bore, keyway, setscrew or bearing bore with grooves. Standard toothing, hardened toothing or special toothing are possible with pilot bore, fixed bore or taper bush. Chain tools, tensioners and chain lubricants please see page 302-310.

Premium

range

e



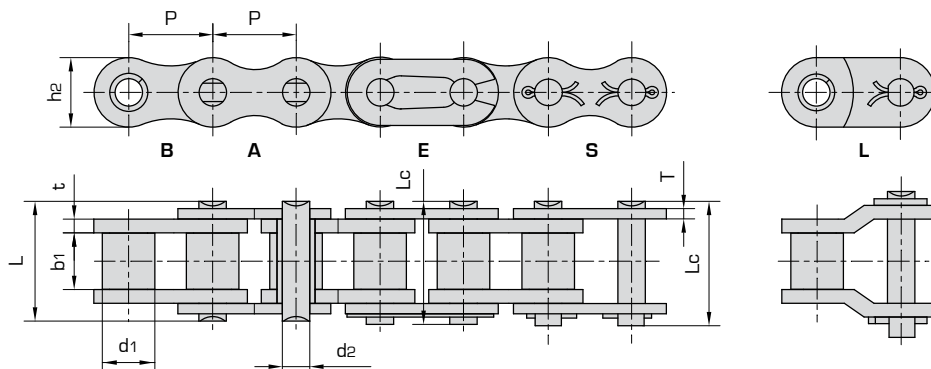
Short pitch precision roller chains (B series)

New Donghua X³ series

Simplex roller chains

| Part nr. | DIN/ISO 606 Chain no. | Pitch | Roller diameter | Width between inner plates | Pin diameter | Pin length | | Inner plate depth | Plate thickness |
|------------|-----------------------|---------|-----------------|----------------------------|--------------|------------|--------|-------------------|-----------------|
| | | P | d1 max | b1 min | d2 max | L max | Lc max | h2 max | T max |
| | | mm | mm | mm | mm | mm | mm | mm | mm |
| 10004B-1X3 | 04B-1X3 | 6,000 | 4,00 | 2,80 | 1,85 | 6,80 | 7,8 | 5,00 | 0,60 |
| 10005B-1X3 | 05B-1X3 | 8,000 | 5,00 | 3,00 | 2,31 | 8,20 | 8,9 | 7,10 | 0,80 |
| 10006B-1X3 | *06B-1X3 | 9,525 | 6,35 | 5,72 | 3,28 | 13,15 | 14,1 | 8,20 | 1,30 |
| 10008B-1X3 | 08B-1X3 | 12,700 | 8,51 | 7,75 | 4,45 | 16,70 | 18,2 | 11,80 | 1,60 |
| 10010B-1X3 | 10B-1X3 | 15,875 | 10,16 | 9,65 | 5,08 | 19,50 | 20,9 | 14,70 | 1,70 |
| 10012B-1X3 | 12B-1X3 | 19,050 | 12,07 | 11,68 | 5,72 | 22,50 | 24,2 | 16,00 | 1,85 |
| 10016B-1X3 | 16B-1X3 | 25,400 | 15,88 | 17,02 | 8,28 | 36,10 | 37,4 | 21,00 | 4,15/3,1 |
| 10020B-1X3 | 20B-1X3 | 31,750 | 19,05 | 19,56 | 10,19 | 41,30 | 45,0 | 26,40 | 4,50/3,5 |
| 10024B-1X3 | 24B-1X3 | 38,100 | 25,40 | 25,40 | 14,63 | 53,40 | 57,8 | 33,20 | 6,00/4,8 |
| 10028B-1X3 | 28B-1X3 | 44,450 | 27,94 | 30,99 | 15,90 | 65,10 | 69,5 | 36,70 | 7,50/6,0 |
| 10032B-1X3 | 32B-1X3 | 50,800 | 29,21 | 30,99 | 17,81 | 66,00 | 71,0 | 42,00 | 7,00/6,0 |
| 10040B-1X3 | 40B-1X3 | 63,500 | 39,37 | 38,10 | 22,89 | 82,20 | 89,2 | 52,96 | 8,50/8,0 |
| 10048B-1X3 | 48B-1X3 | 76,200 | 48,26 | 45,72 | 29,24 | 99,10 | 107,0 | 63,80 | 12,00/10,0 |
| 10056B-1X3 | 56B-1X3 | 88,900 | 53,98 | 53,34 | 34,32 | 114,60 | 123,0 | 77,80 | 13,50/12,0 |
| 10064B-1X3 | 64B-1X3 | 101,600 | 63,50 | 60,96 | 39,40 | 130,00 | 138,5 | 90,17 | 15,00/13,0 |
| 10072B-1X3 | 72B-1X3 | 114,300 | 72,39 | 68,58 | 44,48 | 147,40 | 156,4 | 103,60 | 17,00/15,0 |

* Straight side plates





Premium
range

| Ultimate tensile strength | Average tensile strength | Weight per meter | Available chain parts | | | | | | |
|---------------------------|--------------------------|------------------|-----------------------|---|---|---|---|---|--|
| Q min | Q0 | q | E | S | L | C | A | B | |
| kN/lbf | kN | kg/m | | | | | | | |
| 3,0/682 | 3,2 | 0,11 | X | | X | X | X | X | |
| 5,0/1136 | 5,9 | 0,20 | X | | X | X | X | X | |
| 9,0/2045 | 10,4 | 0,41 | X | | X | X | X | X | |
| 18,0/4091 | 19,4 | 0,69 | X | X | X | X | X | X | |
| 22,4/5091 | 27,5 | 0,93 | X | X | X | X | X | X | |
| 29,0/6591 | 32,2 | 1,15 | X | X | X | X | X | X | |
| 60,0/13636 | 77,1 | 2,71 | X | X | X | X | X | X | |
| 95,0/21591 | 112,8 | 3,70 | X | X | X | | X | X | |
| 160,0/36364 | 178,0 | 7,10 | | X | X | | X | X | |
| 200,0/45455 | 236,4 | 8,50 | | X | X | | X | X | |
| 250,0/56818 | 277,5 | 10,25 | | X | X | | X | X | |
| 355,0/80682 | 394,0 | 16,35 | | X | X | | X | X | |
| 560,0/127272 | 621,6 | 25,00 | | X | X | | X | X | |
| 850,0/193180 | 940,0 | 35,78 | | X | X | | X | X | |
| 1120,0/254544 | 1240,0 | 46,00 | | X | X | | X | X | |
| 1400,0/318180 | 1550,0 | 60,80 | | X | X | | X | X | |



Our NEW DONGHUA X3 SERIES is within our Premium Quality product range offering 3 times better wear resistance, fatigue resistance and higher precision than our standard range. By using new hardening technologies and special anti-friction coating technology on the pin surface, the coefficient of friction between pin and bush is reduced to a minimum. Extreme wear resistance is the result. All Donghua roller chains are: Pre-loaded, Fatigue resistant, Wear resistant and Pre-lubricated. Donghua simplex, duplex and triplex roller chains are manufactured according to ISO 606 DIN8187, standard pre-loaded, pre-lubricated, do have seamless rollers and are marked with production batch code number for complete traceability. All Donghua roller chains are sealed in plastic bags and packed in cardboard boxes with clear ISO 606 DIN descriptions and safety instructions. Standard packaging size is 5 meter box, reels are available on request. Cut to length service is available on request. Several test certificates like breaking load, length tolerance and material analyses are possible and available on request. Rollers chains which are needed for 'run as pairs' applications can be matched as pairs on request. DIN, 1/2DIN and 1/3DIN length tolerance are possible, please ask us for a quotation. For high temperature, low temperature, food application or special environments different kind of special lubricants are available. Please ask our sales team for any special needs. For drive chain calculation and right dimension check, please contact our engineering department, also see drive chain calculation data sheet on page 301. By filling this data sheet and sending this to our engineering department you will receive a detailed drive chain calculation including life time expectation. Sprockets are available for all roller chains, with pilot bore, fixed bore, keyway, setscrew or bearing bore with grooves. Standard toothing, hardened toothing or special toothing are possible with pilot bore, fixed bore or taper bush. Chain tools, tensioners and chain lubricants please see page 302-310.

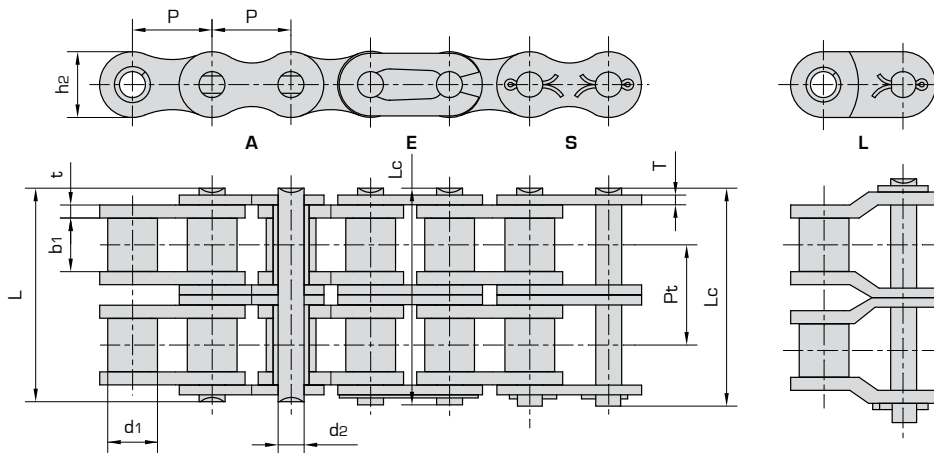
Short pitch precision roller chains (B series)

New Donghua X³ series

Duplex roller chains

| Part nr. | DIN/ISO 606 Chain no. | Pitch | Roller diameter | Width between inner plates | Pin diameter | Pin length | Inner plate depth | Plate thickness | Transverse pitch | |
|------------|-----------------------|---------|-----------------|----------------------------|--------------|------------|-------------------|-----------------|------------------|--------|
| | | P | d1 max | b1 min | d2 max | L max | Lc max | h2 max | T max | Pt |
| | | mm | mm | mm | mm | mm | mm | mm | mm | mm |
| 10004B-2X3 | 04B-2X3 | 6,000 | 4,00 | 2,80 | 1,85 | 13,2 | 14,2 | 5,00 | 0,60 | 5,50 |
| 10005B-2X3 | 05B-2X3 | 8,000 | 5,00 | 3,00 | 2,31 | 13,9 | 14,5 | 7,10 | 0,80 | 5,64 |
| 10006B-2X3 | *06B-2X3 | 9,525 | 6,35 | 5,72 | 3,28 | 23,4 | 24,4 | 8,20 | 1,30 | 10,24 |
| 10008B-2X3 | 08B-2X3 | 12,700 | 8,51 | 7,75 | 4,45 | 31,0 | 32,2 | 11,80 | 1,60 | 13,92 |
| 10010B-2X3 | 10B-2X3 | 15,875 | 10,16 | 9,65 | 5,08 | 36,1 | 37,5 | 14,70 | 1,70 | 16,59 |
| 10012B-2X3 | 12B-2X3 | 19,050 | 12,07 | 11,68 | 5,72 | 42,0 | 43,6 | 16,00 | 1,85 | 19,46 |
| 10016B-2X3 | 16B-2X3 | 25,400 | 15,88 | 17,02 | 8,28 | 68,0 | 69,3 | 21,00 | 4,15/3,1 | 31,88 |
| 10020B-2X3 | 20B-2X3 | 31,750 | 19,05 | 19,56 | 10,19 | 77,8 | 81,5 | 26,40 | 4,50/3,5 | 36,45 |
| 10024B-2X3 | 24B-2X3 | 38,100 | 25,40 | 25,40 | 14,63 | 101,7 | 106,2 | 33,20 | 6,00/4,8 | 48,36 |
| 10028B-2X3 | 28B-2X3 | 44,450 | 27,94 | 30,99 | 15,90 | 124,6 | 129,1 | 36,70 | 7,50/6,0 | 59,56 |
| 10032B-2X3 | 32B-2X3 | 50,800 | 29,21 | 30,99 | 17,81 | 124,6 | 129,6 | 42,00 | 7,00/6,0 | 58,55 |
| 10040B-2X3 | 40B-2X3 | 63,500 | 39,37 | 38,10 | 22,89 | 154,5 | 161,5 | 52,96 | 8,50/8,0 | 72,29 |
| 10048B-2X3 | 48B-2X3 | 76,200 | 48,26 | 45,72 | 29,24 | 190,4 | 198,2 | 63,80 | 12,00/10,0 | 91,21 |
| 10056B-2X3 | 56B-2X3 | 88,900 | 53,98 | 53,34 | 34,32 | 221,2 | 229,6 | 77,80 | 13,50/12,0 | 106,60 |
| 10064B-2X3 | 64B-2X3 | 101,600 | 63,50 | 60,96 | 39,40 | 249,9 | 258,4 | 90,17 | 15,00/13,0 | 119,89 |
| 10072B-2X3 | 72B-2X3 | 114,300 | 72,39 | 68,58 | 44,48 | 283,7 | 292,7 | 103,60 | 17,00/15,0 | 136,27 |

* Straight side plates





Premium
range

| Ultimate tensile strength | Average tensile strength | Weight per meter | Available chain parts | | | | |
|---------------------------|--------------------------|------------------|-----------------------|---|---|---|---|
| Q min | Q0 | q | E | S | L | C | A |
| kN/lbf | kN | kg/m | | | | | |
| 5,0/1124 | 6,1 | 0,23 | X | | X | X | X |
| 7,8/1773 | 10,2 | 0,33 | X | | X | X | X |
| 16,9/3841 | 18,7 | 0,77 | X | | X | X | X |
| 32,0/7273 | 38,7 | 1,34 | X | X | X | X | X |
| 44,5/10114 | 56,2 | 1,84 | X | X | X | X | X |
| 57,8/13136 | 66,1 | 2,31 | X | X | X | X | X |
| 106,0/24091 | 152,1 | 5,42 | X | X | X | X | X |
| 170,0/38636 | 229,0 | 7,20 | | X | X | | X |
| 280,0/63636 | 319,2 | 13,40 | | X | X | | X |
| 360,0/81818 | 406,8 | 16,60 | | X | X | | X |
| 450,0/102273 | 508,5 | 21,00 | | X | X | | X |
| 630,0/143182 | 711,9 | 32,00 | | X | X | | X |
| 1000,0/227272 | 1130,0 | 50,00 | | X | X | | X |
| 1600,0/363635 | 1760,0 | 71,48 | | X | X | | X |
| 2000,0/454544 | 2200,0 | 91,00 | | X | X | | X |
| 2500,0/568180 | 2750,0 | 120,40 | | X | X | | X |



Our NEW DONGHUA X3 SERIES is within our Premium Quality product range offering 3 times better wear resistance, fatigue resistance and higher precision than our standard range. By using new hardening technologies and special anti-friction coating technology on the pin surface, the coefficient of friction between pin and bush is reduced to a minimum. Extreme wear resistance is the result. All Donghua roller chains are: Pre-loaded, Fatigue resistant, Wear resistant and Pre-lubricated. Donghua simplex, duplex and triplex roller chains are manufactured according to ISO 606 DIN8187, standard pre-loaded, pre-lubricated, do have seamless rollers and are marked with production batch code number for complete traceability. All Donghua roller chains are sealed in plastic bags and packed in cardboard boxes with clear ISO 606 DIN descriptions and safety instructions. Standard packaging size is 5 meter box, reels are available on request. Cut to length service is available on request. Several test certificates like breaking load, length tolerance and material analyses are possible and available on request. Rollers chains which are needed for 'run as pairs' applications can be matched as pairs on request. DIN, 1/2DIN and 1/3DIN length tolerance are possible, please ask us for a quotation. For high temperature, low temperature, food application or special environments different kind of special lubricants are available. Please ask our sales team for any special needs. For drive chain calculation and right dimension check, please contact our engineering department, also see drive chain calculation data sheet on page 301. By filling this data sheet and sending this to our engineering department you will receive a detailed drive chain calculation including life time expectation. Sprockets are available for all roller chains, with pilot bore, fixed bore, keyway, setscrew or bearing bore with grooves. Standard toothing, hardened toothing or special toothing are possible with pilot bore, fixed bore or taper bush. Chain tools, tensioners and chain lubricants please see page 302-310.

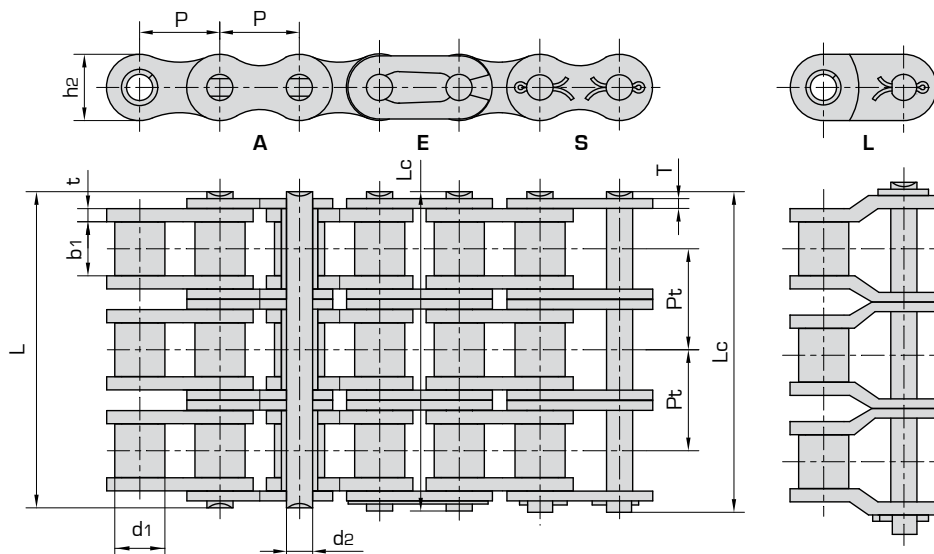
Short pitch precision roller chains (B series)

New Donghua X³ series

Triplex roller chains

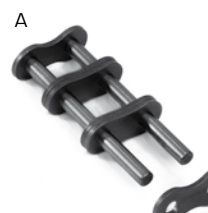
| Part nr. | DIN/ISO 606 Chain no. | Pitch | Roller diameter | Width between inner plates | Pin diameter | Pin length | Inner plate depth | Plate thickness | Transverse pitch | |
|------------|-----------------------|--------|-----------------|----------------------------|--------------|------------|-------------------|-----------------|------------------|--------|
| | | P | d1 max | b1 min | d2 max | L max | Lc max | h2 max | T max | Pt |
| | | mm | mm | mm | mm | mm | mm | mm | mm | mm |
| 10005B-3X3 | 05B-3X3 | 8,000 | 5,00 | 3,00 | 2,31 | 19,5 | 20,2 | 7,10 | 0,80 | 5,64 |
| 10006B-3X3 | *06B-3X3 | 9,525 | 6,35 | 5,72 | 3,28 | 33,5 | 34,6 | 8,20 | 1,30 | 10,24 |
| 10008B-3X3 | 08B-3X3 | 12,700 | 8,51 | 7,75 | 4,45 | 45,1 | 46,1 | 11,80 | 1,60 | 13,92 |
| 10010B-3X3 | 10B-3X3 | 15,875 | 10,16 | 9,65 | 5,08 | 52,7 | 54,1 | 14,70 | 1,70 | 16,59 |
| 10012B-3X3 | 12B-3X3 | 19,050 | 12,07 | 11,68 | 5,72 | 61,5 | 63,1 | 16,00 | 1,85 | 19,46 |
| 10016B-3X3 | 16B-3X3 | 25,400 | 15,88 | 17,02 | 8,28 | 99,8 | 101,2 | 21,00 | 4,15/3,1 | 31,88 |
| 10020B-3X3 | 20B-3X3 | 31,750 | 19,05 | 19,56 | 10,19 | 114,2 | 117,9 | 26,40 | 4,50/3,5 | 36,45 |
| 10024B-3X3 | 24B-3X3 | 38,100 | 25,40 | 25,40 | 14,63 | 150,1 | 154,6 | 33,20 | 6,00/4,8 | 48,36 |
| 10028B-3X3 | 28B-3X3 | 44,450 | 27,94 | 30,99 | 15,90 | 184,2 | 188,7 | 36,70 | 7,50/6,0 | 59,56 |
| 10032B-3X3 | 32B-3X3 | 50,800 | 29,21 | 30,99 | 17,81 | 183,2 | 188,2 | 42,00 | 7,00/6,0 | 58,55 |
| 10040B-3X3 | 40B-3X3 | 63,500 | 39,37 | 38,10 | 22,89 | 226,8 | 233,8 | 52,96 | 8,50/8,0 | 72,29 |
| 10048B-3X3 | 48B-3X3 | 76,200 | 48,26 | 45,72 | 29,24 | 281,6 | 289,4 | 63,80 | 12,00/10,0 | 91,21 |
| 10056B-3X3 | 56B-3X3 | 88,900 | 53,98 | 53,34 | 34,32 | 327,8 | 336,2 | 77,80 | 13,50/12,0 | 106,6 |
| 10064B-3X3 | 64B-3X3 | 101,60 | 63,50 | 60,96 | 39,40 | 369,8 | 378,3 | 90,17 | 15,00/13,0 | 119,89 |
| 10072B-3X3 | 72B-3X3 | 114,30 | 72,39 | 68,58 | 44,48 | 420,0 | 429,0 | 103,60 | 17,00/15,0 | 136,27 |

* Straight side plates





| Ultimate tensile strength | Average tensile strength | Weight per meter | Available chain parts | | | | |
|---------------------------|--------------------------|------------------|-----------------------|---|---|---|---|
| Q min | Q0 | q | E | S | L | C | A |
| kN/lbf | kN | kg/m | | | | | |
| 11,1/2523 | 13,8 | 0,48 | X | | X | X | X |
| 24,9/5659 | 30,1 | 1,16 | X | | X | X | X |
| 47,5/10795 | 57,8 | 2,03 | X | X | X | X | X |
| 66,7/15159 | 84,5 | 2,77 | X | X | X | X | X |
| 86,7/19705 | 101,8 | 3,46 | X | X | X | X | X |
| 160,0/36364 | 227,1 | 8,13 | X | X | X | X | X |
| 250,0/56818 | 334,3 | 10,82 | | X | X | | X |
| 425,0/96591 | 493,0 | 20,10 | | X | X | | X |
| 530,0/120454 | 609,5 | 24,92 | | X | X | | X |
| 670,0/152273 | 770,5 | 31,56 | | X | X | | X |
| 950,0/215909 | 1092,5 | 48,10 | | X | X | | X |
| 1500,0/340909 | 1710,0 | 75,00 | | X | X | | X |
| 2240,0/545450 | 2464,0 | 107,18 | | X | X | | X |
| 3000,0/681820 | 3300,0 | 136,00 | | X | X | | X |
| 3750,0/852270 | 4125,0 | 180,00 | | X | X | | X |



Premium range

Our NEW DONGHUA X3 SERIES is within our Premium Quality product range offering 3 times better wear resistance, fatigue resistance and higher precision than our standard range. By using new hardening technologies and special anti-friction coating technology on the pin surface, the coefficient of friction between pin and bush is reduced to a minimum. Extreme wear resistance is the result. All Donghua roller chains are: Pre-loaded, Fatigue resistant, Wear resistant and Pre-lubricated. Donghua simplex, duplex and triplex roller chains are manufactured according to ISO 606 DIN8187, standard pre-loaded, pre-lubricated, do have seamless rollers and are marked with production batch code number for complete traceability. All Donghua roller chains are sealed in plastic bags and packed in cardboard boxes with clear ISO 606 DIN descriptions and safety instructions. Standard packaging size is 5 meter box, reels are available on request. Cut to length service is available on request. Several test certificates like breaking load, length tolerance and material analyses are possible and available on request. Rollers chains which are needed for 'run as pairs' applications can be matched as pairs on request. DIN, 1/2DIN and 1/3DIN length tolerance are possible, please ask us for a quotation. For high temperature, low temperature, food application or special environments different kind of special lubricants are available. Please ask our sales team for any special needs. For drive chain calculation and right dimension check, please contact our engineering department, also see drive chain calculation data sheet on page 301. By filling this data sheet and sending this to our engineering department you will receive a detailed drive chain calculation including life time expectation. Sprockets are available for all roller chains, with pilot bore, fixed bore, keyway, setscrew or bearing bore with grooves. Standard toothing, hardened toothing or special toothing are possible with pilot bore, fixed bore or taper bush. Chain tools, tensioners and chain lubricants please see page 302-310.

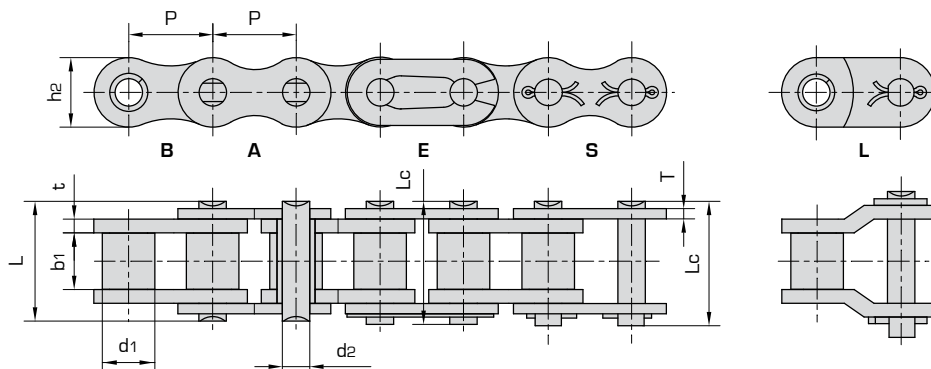
Short pitch precision roller chains (A series)

New Donghua X³ series

Simplex roller chains & bush chains

| Part nr. | DIN/ISO 606 Chain no. | ANSI Chain no. | Pitch | Roller diameter | Width between inner plates | Pin diameter | Pin length | | Inner plate depth | Plate thickness |
|------------|-----------------------------|-------------------|--------|--------------------|-------------------------------------|-----------------|------------|--------|-------------------------|--------------------|
| | | | P | d1 max | b1 min | d2 max | L max | Lc max | h2 max | T max |
| | | | mm | mm | mm | mm | mm | mm | mm | mm |
| 10025-1X3 | *04C-1 | *25 | 6,350 | 3,30 | 3,18 | 2,31 | 7,90 | 8,40 | 6,00 | 0,80 |
| 10035-1X3 | *06C-1 | *35 | 9,525 | 5,08 | 4,77 | 3,58 | 12,40 | 13,17 | 9,00 | 1,30 |
| 10041-1X3 | 085-1 | 41 | 12,700 | 7,77 | 6,25 | 3,58 | 13,75 | 15,00 | 9,91 | 1,30 |
| 10040-1X3 | 08A-1 | 40 | 12,700 | 7,95 | 7,85 | 3,96 | 16,60 | 17,80 | 12,00 | 1,50 |
| 10050-1X3 | 10A-1 | 50 | 15,875 | 10,16 | 9,40 | 5,08 | 20,70 | 22,20 | 15,09 | 2,03 |
| 10060-1X3 | 12A-1 | 60 | 19,050 | 11,91 | 12,57 | 5,94 | 25,90 | 27,70 | 18,00 | 2,42 |
| 10080-1X3 | 16A-1 | 80 | 25,400 | 15,88 | 15,75 | 7,92 | 32,70 | 35,00 | 24,00 | 3,25 |
| 100100-1X3 | 20A-1 | 100 | 31,750 | 19,05 | 18,90 | 9,53 | 40,40 | 44,70 | 30,00 | 4,00 |
| 100120-1X3 | 24A-1 | 120 | 38,100 | 22,23 | 25,22 | 11,10 | 50,30 | 54,30 | 35,70 | 4,80 |
| 100140-1X3 | 28A-1 | 140 | 44,450 | 25,40 | 25,22 | 12,70 | 54,40 | 59,00 | 41,00 | 5,60 |
| 100160-1X3 | 32A-1 | 160 | 50,800 | 28,58 | 31,55 | 14,27 | 64,80 | 69,60 | 47,80 | 6,40 |
| 100180-1X3 | 36A-1 | 180 | 57,150 | 35,71 | 35,48 | 17,46 | 72,80 | 78,60 | 53,60 | 7,20 |
| 100200-1X3 | 40A-1 | 200 | 63,500 | 39,68 | 37,85 | 19,85 | 80,30 | 87,20 | 60,00 | 8,00 |
| 100240-1X3 | 48A-1 | 240 | 76,200 | 47,63 | 47,35 | 23,81 | 95,50 | 103,00 | 72,39 | 9,50 |

* Bush chain: d1 in the table indicates the external diameter of the bush.





| Ultimate tensile strength | Average tensile strength | Weight per meter | Available chain parts | | | | | |
|---------------------------|--------------------------|------------------|-----------------------|---|---|---|---|---|
| Q min | Q0 | q | E | S | L | C | A | B |
| kN/lbf | kN | kg/m | | | | | | |
| 3,50/795 | 5,0 | 0,15 | X | | | X | X | X |
| 7,90/1795 | 11,3 | 0,33 | X | | X | X | X | X |
| 6,67/1516 | 12,6 | 0,41 | X | | X | X | X | X |
| 14,10/3205 | 18,6 | 0,62 | X | | X | X | X | X |
| 22,20/5045 | 31,3 | 1,02 | X | | X | X | X | X |
| 31,80/7227 | 43,2 | 1,50 | X | | X | X | X | X |
| 56,70/12886 | 74,3 | 2,60 | X | | X | X | X | X |
| 88,50/20114 | 107,6 | 3,91 | | X | X | | X | X |
| 127,00/28864 | 163,1 | 5,62 | | X | X | | X | X |
| 172,40/39182 | 222,5 | 7,50 | | X | X | | X | X |
| 226,80/51545 | 266,9 | 10,10 | | X | X | | X | X |
| 280,20/63682 | 361,1 | 13,45 | | X | X | | X | X |
| 353,80/80409 | 466,8 | 16,15 | | X | X | | X | X |
| 510,30/115977 | 671,6 | 23,20 | | X | X | | X | X |



Premium range



Our NEW DONGHUA X3 SERIES is within our Premium Quality product range offering 3 times better wear resistance, fatigue resistance and higher precision than our standard range. By using new hardening technologies and special anti-friction coating technology on the pin surface, the coefficient of friction between pin and bush is reduced to a minimum. Extreme wear resistance is the result. All Donghua roller chains are: Pre-loaded, Fatigue resistant, Wear resistant and Pre-lubricated. Donghua simplex, duplex and triplex roller chains are manufactured according to ISO 606 DIN8187, standard pre-loaded, pre-lubricated, do have seamless rollers and are marked with production batch code number for complete traceability. All Donghua roller chains are sealed in plastic bags and packed in cardboard boxes with clear ISO 606 DIN descriptions and safety instructions. Standard packaging size is 5 meter box, reels are available on request. Cut to length service is available on request. Several test certificates like breaking load, length tolerance and material analyses are possible and available on request. Rollers chains which are needed for 'run as pairs' applications can be matched as pairs on request. DIN, 1/2DIN and 1/3DIN length tolerance are possible, please ask us for a quotation. For high temperature, low temperature, food application or special environments different kind of special lubricants are available. Please ask our sales team for any special needs. For drive chain calculation and right dimension check, please contact our engineering department, also see drive chain calculation data sheet on page 301. By filling this data sheet and sending this to our engineering department you will receive a detailed drive chain calculation including life time expectation. Sprockets are available for all roller chains, with pilot bore, fixed bore, keyway, setscrew or bearing bore with grooves. Standard toothing, hardened toothing or special toothing are possible with pilot bore, fixed bore or taper bush. Chain tools, tensioners and chain lubricants please see page 302-310.

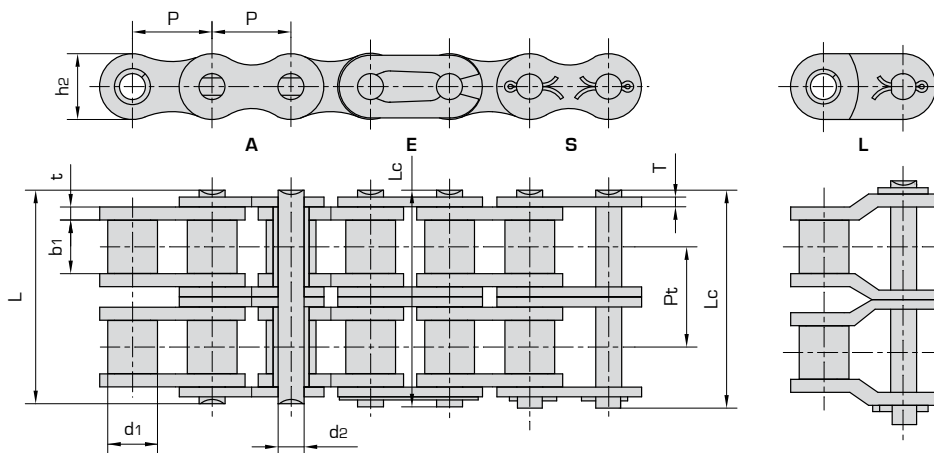
Short pitch precision roller chains (A series)

New Donghua X³ series

Duplex roller chains & bush chains

| Part nr. | DIN/ISO 606 Chain no. | ANSI Chain no. | Pitch | Roller diameter | Width between inner plates | Pin diameter | Pin length | | Inner plate depth | Plate thickness | Transverse pitch |
|------------|-----------------------------|-------------------|--------|--------------------|-------------------------------------|-----------------|------------|--------|-------------------------|--------------------|---------------------|
| | | | P | d1 max | b1 min | d2 max | L max | Lc max | h2 max | T max | |
| | | | mm | mm | mm | mm | mm | mm | mm | mm | |
| 10025-2X3 | *04C-2 | *25-2 | 6,350 | 3,30 | 3,18 | 2,31 | 14,5 | 15,0 | 6,00 | 0,80 | 6,40 |
| 10035-2X3 | *06C-2 | *35-2 | 9,525 | 5,08 | 4,77 | 3,58 | 22,5 | 23,3 | 9,00 | 1,30 | 10,13 |
| 10041-1X3 | 085-2 | 41-2 | 12,700 | 7,77 | 6,25 | 3,58 | 25,7 | 26,9 | 9,91 | 1,30 | 11,95 |
| 10040-2X3 | 08A-2 | 40-2 | 12,700 | 7,95 | 7,85 | 3,96 | 31,0 | 32,2 | 12,00 | 1,50 | 14,38 |
| 10050-2X3 | 10A-2 | 50-2 | 15,875 | 10,16 | 9,40 | 5,08 | 38,9 | 40,4 | 15,09 | 2,03 | 18,11 |
| 10060-2X3 | 12A-2 | 60-2 | 19,050 | 11,91 | 12,57 | 5,94 | 48,8 | 50,5 | 18,00 | 2,42 | 22,78 |
| 10080-2X3 | 16A-2 | 80-2 | 25,400 | 15,88 | 15,75 | 7,92 | 62,7 | 64,3 | 24,00 | 3,25 | 29,29 |
| 100100-2X3 | 20A-2 | 100-2 | 31,750 | 19,05 | 18,90 | 9,53 | 76,4 | 80,5 | 30,00 | 4,00 | 35,76 |
| 100120-2X3 | 24A-2 | 120-2 | 38,100 | 22,23 | 25,22 | 11,10 | 95,8 | 99,7 | 35,70 | 4,80 | 45,44 |
| 100140-2X3 | 28A-2 | 140-2 | 44,450 | 25,40 | 25,22 | 12,70 | 103,3 | 107,9 | 41,00 | 5,60 | 48,87 |
| 100160-2X3 | 32A-2 | 160-2 | 50,800 | 28,58 | 31,55 | 14,27 | 123,3 | 128,1 | 47,80 | 6,40 | 58,55 |
| 100180-2X3 | 36A-2 | 180-2 | 57,150 | 35,71 | 35,48 | 17,46 | 138,6 | 144,4 | 53,60 | 7,20 | 65,84 |
| 100200-2X3 | 40A-2 | 200-2 | 63,500 | 39,68 | 37,85 | 19,85 | 151,9 | 158,8 | 60,00 | 8,00 | 71,55 |
| 100240-2X3 | 48A-2 | 240-2 | 76,200 | 47,63 | 47,35 | 23,81 | 183,4 | 190,8 | 72,39 | 9,50 | 87,83 |

* Bush chain: d1 in the table indicates the external diameter of the bush.





Premium range

| Ultimate tensile strength | Average tensile strength | Weight per meter | Available chain parts | | | | |
|---------------------------|--------------------------|------------------|-----------------------|---|---|---|---|
| | | | E | S | L | C | A |
| Q min | Q0 | q | | | | | |
| kN/lbf | kN | kg/m | | | | | |
| 7,00/1591 | 10,0 | 0,28 | X | | | X | X |
| 15,80/3591 | 22,3 | 0,63 | X | | | X | X |
| 13,34/3032 | 16,9 | 0,81 | X | | X | X | X |
| 28,20/6409 | 37,2 | 1,12 | X | | X | X | X |
| 44,40/10091 | 62,0 | 2,00 | X | | X | X | X |
| 63,60/14455 | 86,4 | 2,92 | X | | X | X | X |
| 113,40/25773 | 148,6 | 5,15 | X | | X | X | X |
| 177,00/40227 | 215,2 | 7,80 | | X | X | | X |
| 254,00/57727 | 326,2 | 11,70 | | X | X | | X |
| 344,80/78364 | 445,0 | 15,14 | | X | X | | X |
| 453,60/103091 | 533,8 | 20,14 | | X | X | | X |
| 560,50/127386 | 722,2 | 29,22 | | X | X | | X |
| 707,60/160818 | 933,6 | 32,24 | | X | X | | X |
| 1020,60/213955 | 1343,2 | 45,23 | | X | X | | X |



Our NEW DONGHUA X3 SERIES is within our Premium Quality product range offering 3 times better wear resistance, fatigue resistance and higher precision than our standard range. By using new hardening technologies and special anti-friction coating technology on the pin surface, the coefficient of friction between pin and bush is reduced to a minimum. Extreme wear resistance is the result. All Donghua roller chains are: Pre-loaded, Fatigue resistant, Wear resistant and Pre-lubricated. Donghua simplex, duplex and triplex roller chains are manufactured according to ISO 606 DIN8187, standard pre-loaded, pre-lubricated, do have seamless rollers and are marked with production batch code number for complete traceability. All Donghua roller chains are sealed in plastic bags and packed in cardboard boxes with clear ISO 606 DIN descriptions and safety instructions. Standard packaging size is 5 meter box, reels are available on request. Cut to length service is available on request. Several test certificates like breaking load, length tolerance and material analyses are possible and available on request. Rollers chains which are needed for 'run as pairs' applications can be matched as pairs on request. DIN, 1/2DIN and 1/3DIN length tolerance are possible, please ask us for a quotation. For high temperature, low temperature, food application or special environments different kind of special lubricants are available. Please ask our sales team for any special needs. For drive chain calculation and right dimension check, please contact our engineering department, also see drive chain calculation data sheet on page 301. By filling this data sheet and sending this to our engineering department you will receive a detailed drive chain calculation including life time expectation. Sprockets are available for all roller chains, with pilot bore, fixed bore, keyway, setscrew or bearing bore with grooves. Standard toothing, hardened toothing or special toothing are possible with pilot bore, fixed bore or taper bush. Chain tools, tensioners and chain lubricants please see page 302-310.

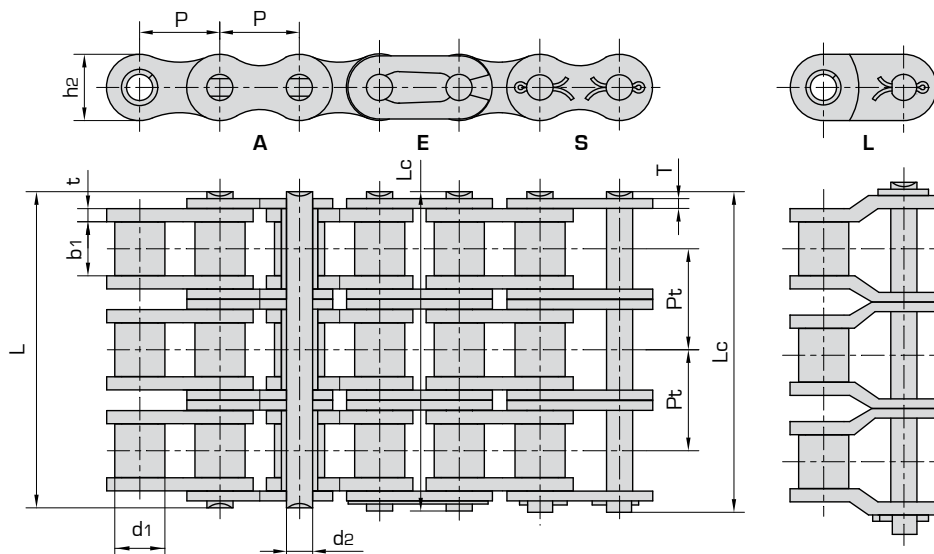
Short pitch precision roller chains (A series)

New Donghua X³ series

Triplex roller chains & bush chains

| Part nr. | DIN/ISO 606 Chain no. | ANSI Chain no. | Pitch | Roller diameter | Width between inner plates | Pin diameter | Pin length | | Inner plate depth | Plate thickness | Transverse pitch |
|------------|-----------------------------|-------------------|--------|--------------------|-------------------------------------|-----------------|------------|--------|-------------------------|--------------------|---------------------|
| | | | | | | | L max | Lc max | | | |
| | | | | | | | P | d1 max | | | |
| | | mm | | mm | | mm | | mm | | mm | |
| 10025-3X3 | *04C-3 | *25-3 | 6,350 | 3,30 | 3,18 | 2,31 | 21,0 | 21,5 | 6,00 | 0,80 | 6,40 |
| 10035-3X3 | *06C-3 | *35-3 | 9,525 | 5,08 | 4,77 | 3,58 | 32,7 | 33,5 | 9,00 | 1,30 | 10,13 |
| 10040-3X3 | 08A-3 | 40-3 | 12,700 | 7,95 | 7,85 | 3,96 | 45,4 | 46,6 | 12,00 | 1,50 | 14,38 |
| 10050-3X3 | 10A-3 | 50-3 | 15,875 | 10,16 | 9,40 | 5,08 | 57,0 | 58,5 | 15,09 | 2,03 | 18,11 |
| 10060-3X3 | 12A-3 | 60-3 | 19,050 | 11,91 | 12,57 | 5,94 | 71,5 | 73,3 | 18,00 | 2,42 | 22,78 |
| 10080-3X3 | 16A-3 | 80-3 | 25,400 | 15,88 | 15,75 | 7,92 | 91,7 | 93,6 | 24,00 | 3,25 | 29,29 |
| 100100-3X3 | 20A-3 | 100-3 | 31,750 | 19,05 | 18,90 | 9,53 | 112,2 | 116,3 | 30,00 | 4,00 | 35,76 |
| 100120-3X3 | 24A-3 | 120-3 | 38,100 | 22,23 | 25,22 | 11,10 | 141,4 | 145,2 | 35,70 | 4,80 | 45,44 |
| 100140-3X3 | 28A-3 | 140-3 | 44,450 | 25,40 | 25,22 | 12,70 | 152,2 | 156,8 | 41,00 | 5,60 | 48,87 |
| 100160-3X3 | 32A-3 | 160-3 | 50,800 | 28,58 | 31,55 | 14,27 | 181,8 | 186,6 | 47,80 | 6,40 | 58,55 |
| 100180-3X3 | 36A-3 | 180-3 | 57,150 | 35,71 | 35,48 | 17,46 | 204,4 | 210,2 | 53,60 | 7,20 | 65,84 |
| 100200-3X3 | 40A-3 | 200-3 | 63,500 | 39,68 | 37,85 | 19,85 | 223,5 | 230,4 | 60,00 | 8,00 | 71,55 |
| 100240-3X3 | 48A-3 | 240-3 | 76,200 | 47,63 | 47,35 | 23,81 | 271,3 | 278,6 | 72,39 | 9,50 | 87,83 |

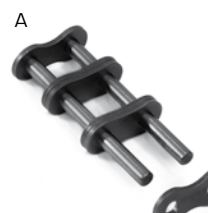
* Bush chain: d1 in the table indicates the external diameter of the bush.





Premium range

| Ultimate tensile strength | Average tensile strength | Weight per meter | Available chain parts | | | | |
|---------------------------|--------------------------|------------------|-----------------------|---|---|---|---|
| Q min | Q0 | q | E | S | L | C | A |
| kN/lbf | kN | kg/m | | | | | |
| 10,5/2386 | 15,0 | 0,44 | X | | | X | X |
| 23,7/5386 | 33,9 | 1,05 | X | | | X | X |
| 42,3/9614 | 55,8 | 1,90 | X | | X | | X |
| 66,6/15136 | 93,9 | 3,09 | X | | X | | X |
| 95,4/21682 | 129,6 | 4,54 | X | | X | | X |
| 170,1/38659 | 222,9 | 7,89 | X | | X | | X |
| 265,5/60341 | 322,8 | 11,77 | | X | X | | X |
| 381,0/86591 | 489,3 | 17,53 | | X | X | | X |
| 517,2/117545 | 667,5 | 22,20 | | X | X | | X |
| 680,4/154636 | 800,7 | 30,02 | | X | X | | X |
| 840,7/191068 | 1083,3 | 38,22 | | X | X | | X |
| 1061,4/241227 | 1400,4 | 49,03 | | X | X | | X |
| 1530,9/347932 | 2014,8 | 71,60 | | X | X | | X |



Our NEW DONGHUA X3 SERIES is within our Premium Quality product range offering 3 times better wear resistance, fatigue resistance and higher precision than our standard range. By using new hardening technologies and special anti-friction coating technology on the pin surface, the coefficient of friction between pin and bush is reduced to a minimum. Extreme wear resistance is the result. All Donghua roller chains are: Pre-loaded, Fatigue resistant, Wear resistant and Pre-lubricated. Donghua simplex, duplex and triplex roller chains are manufactured according to ISO 606 DIN8187, standard pre-loaded, pre-lubricated, do have seamless rollers and are marked with production batch code number for complete traceability. All Donghua roller chains are sealed in plastic bags and packed in cardboard boxes with clear ISO 606 DIN descriptions and safety instructions. Standard packaging size is 5 meter box, reels are available on request. Cut to length service is available on request. Several test certificates like breaking load, length tolerance and material analyses are possible and available on request. Rollers chains which are needed for 'run as pairs' applications can be matched as pairs on request. DIN, 1/2DIN and 1/3DIN length tolerance are possible, please ask us for a quotation. For high temperature, low temperature, food application or special environments different kind of special lubricants are available. Please ask our sales team for any special needs. For drive chain calculation and right dimension check, please contact our engineering department, also see drive chain calculation data sheet on page 301. By filling this data sheet and sending this to our engineering department you will receive a detailed drive chain calculation including life time expectation. Sprockets are available for all roller chains, with pilot bore, fixed bore, keyway, setscrew or bearing bore with grooves. Standard toothing, hardened toothing or special toothing are possible with pilot bore, fixed bore or taper bush. Chain tools, tensioners and chain lubricants please see page 302-310.

Solution

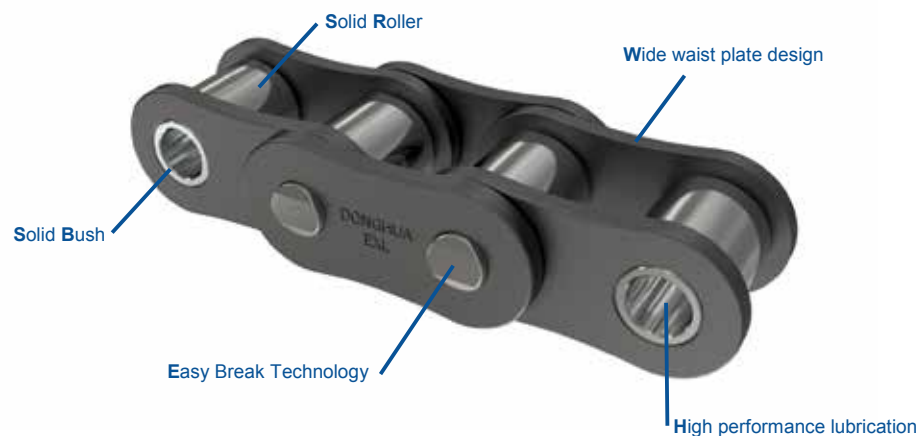
range

| | | | |
|-----|-----|-----|-------|
| SLR | ZP | ATT | H |
| SS | NP | OR | HV/SP |
| SS+ | ZT | 1.3 | HSP |
| EXL | ZT+ | CP | UHSP |





Donghua EXL Program



EXL® Specification:

- Chains according to ISO 606 (DIN 8187/8188) in size range from 06B to 32B and ANSI 35 to 160 inch pitch.
- Available from stock in 5 m packaging incl. connecting link.
- Solid Bush and Solid Roller design, seamless cold forged bushing and roller provide full contact between pin, bushing and roller.
- Optimal cylindrical for ideal sliding contacts will improve chain service life.
- Wide waist plate geometry for higher fatigue strength.
- EXL chains are easy to disassemble through built-in Donghua EasyBreak Technology.
- High length accuracy.
- Excellent press fit between pin, bush and plates. Controlling plate hole quality by ball drifting.
- Hardened and shot-peened plates are standardized for extra strength.
- Pre-loaded with 40-50% from breaking load.
- Pre-lubricated with high performance synthetic lubricant to meet high workload requirements.
- Batch code number for track and tracing.

Donghua EXL® chains are designed, manufactured and tested to meet the highest specifications for unbeatable accuracy and performance.

Short pitch precision roller chains EXL (B series)

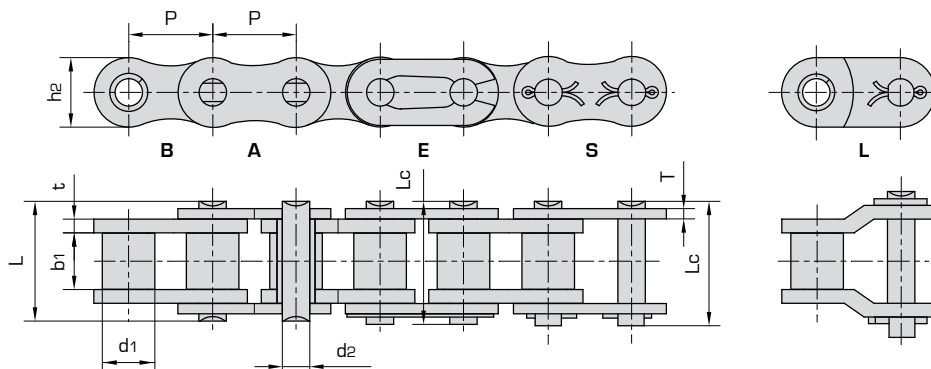
EXL

Simplex roller chains

| Part nr. | DIN/ISO 606 Chain no. | Pitch | Roller diameter | Width between inner plates | Pin diameter | Pin length | | Inner plate depth | Plate thickness |
|----------|-----------------------|---------|-----------------|----------------------------|--------------|------------|--------|-------------------|-----------------|
| | | P | d1 max | b1 min | d2 max | L max | Lc max | h2 max | T max |
| | | mm | mm | mm | mm | mm | mm | mm | mm |
| 13004B-1 | 04B-1 EXL | 6,000 | 4,00 | 2,80 | 1,85 | 6,80 | 7,8 | 5,00 | 0,60 |
| 13005B-1 | 05B-1 EXL | 8,000 | 5,00 | 3,00 | 2,31 | 8,20 | 8,9 | 7,10 | 0,80 |
| 13006B-1 | *06B-1 EXL | 9,525 | 6,35 | 5,72 | 3,28 | 13,15 | 14,1 | 8,20 | 1,30 |
| 13008B-1 | 08B-1 EXL | 12,700 | 8,51 | 7,75 | 4,45 | 16,70 | 18,2 | 11,80 | 1,60 |
| 13010B-1 | 10B-1 EXL | 15,875 | 10,16 | 9,65 | 5,08 | 19,50 | 20,9 | 14,70 | 1,70 |
| 13012B-1 | 12B-1 EXL | 19,050 | 12,07 | 11,68 | 5,72 | 22,50 | 24,2 | 16,00 | 1,85 |
| 13016B-1 | 16B-1 EXL | 25,400 | 15,88 | 17,02 | 8,28 | 36,10 | 37,4 | 21,00 | 4,15/3,1 |
| 13020B-1 | 20B-1 EXL | 31,750 | 19,05 | 19,56 | 10,19 | 41,30 | 45,0 | 26,40 | 4,50/3,5 |
| 10024B-1 | 24B-1 * | 38,100 | 25,40 | 25,40 | 14,63 | 53,40 | 57,8 | 33,20 | 6,00/4,8 |
| 10028B-1 | 28B-1 * | 44,450 | 27,94 | 30,99 | 15,90 | 65,10 | 69,5 | 36,70 | 7,50/6,0 |
| 10032B-1 | 32B-1 * | 50,800 | 29,21 | 30,99 | 17,81 | 66,00 | 71,0 | 42,00 | 7,00/6,0 |
| 10040B-1 | 40B-1 * | 63,500 | 39,37 | 38,10 | 22,89 | 82,20 | 89,2 | 52,96 | 8,50/8,0 |
| 10048B-1 | 48B-1 * | 76,200 | 48,26 | 45,72 | 29,24 | 99,10 | 107,0 | 63,80 | 12,00/10,0 |
| 10056B-1 | 56B-1 * | 88,900 | 53,98 | 53,34 | 34,32 | 114,6 | 123,0 | 77,80 | 13,50/12,0 |
| 10064B-1 | 64B-1 * | 101,600 | 63,50 | 60,96 | 39,40 | 130,0 | 138,5 | 90,17 | 15,00/13,0 |
| 10072B-1 | 72B-1 * | 114,300 | 72,39 | 68,58 | 44,48 | 147,4 | 156,4 | 103,60 | 17,00/15,0 |

* Straight side plates

* From 24B and up EXL is Donghua standard



| Ultimate tensile strength | Average tensile strength | Weight per meter | Available chain parts | | | | | | |
|---------------------------|--------------------------|------------------|-----------------------|---|---|---|---|---|--|
| Q min | Q0 | q | E | S | L | C | A | B | |
| kN/lbf | kN | kg/m | | | | | | | |
| 3,0/682 | 3,2 | 0,11 | X | | X | X | X | X | |
| 5,0/1136 | 5,9 | 0,20 | X | | X | X | X | X | |
| 9,0/2045 | 10,4 | 0,41 | X | | X | X | X | X | |
| 18,0/4091 | 19,4 | 0,69 | X | X | X | X | X | X | |
| 22,4/5091 | 27,5 | 0,93 | X | X | X | X | X | X | |
| 29,0/6591 | 32,2 | 1,15 | X | X | X | X | X | X | |
| 60,0/13636 | 77,1 | 2,71 | X | X | X | X | X | X | |
| 95,0/21591 | 112,8 | 3,70 | X | X | X | | X | X | |
| 160,0/36364 | 178,0 | 7,10 | | X | X | | X | X | |
| 200,0/45455 | 236,4 | 8,50 | | X | X | | X | X | |
| 250,0/56818 | 277,5 | 10,25 | | X | X | | X | X | |
| 355,0/80682 | 394,0 | 16,35 | | X | X | | X | X | |
| 560,0/127272 | 621,6 | 25,00 | | X | X | | X | X | |
| 850,0/193180 | 940,0 | 35,78 | | X | X | | X | X | |
| 1120,0/254544 | 1240,0 | 46,00 | | X | X | | X | X | |
| 1400,0/318180 | 1550,0 | 60,80 | | X | X | | X | X | |



Our NEW DONGHUA EXL SERIES is within our product Solution Quality range offering better wear resistance, better fatigue resistance and higher precision than our standard range. The superior quality, durability and outstanding wear and fatigue resistance are realized by the new wide waist design of the plates, solid bushes and solid rollers and special highly sophisticated long lasting lubricant. EXL easy dis- & reassembly through built-in Donghua's Easy Break Technology. All Donghua roller chains are: Pre-loaded, Fatigue resistant, Wear resistant and Pre-lubricated. Donghua simplex, duplex and triplex roller chains are manufactured according to ISO 606 DIN8187, standard pre-loaded, pre-lubricated, do have seamless rollers and are marked with production batch code number for complete traceability. All Donghua roller chains are sealed in plastic bags and packed in cardboard boxes with clear ISO 606 DIN descriptions and safety instructions. Standard packaging size is 5 meter box, reels are available on request. Cut to length service is available on request. Several test certificates like breaking load, length tolerance and material analyses are possible and available on request. Rollers chains which are needed for 'run as pairs' applications can be matched as pairs on request. DIN, 1/2DIN and 1/3DIN length tolerance are possible, please ask us for a quotation. For high temperature, low temperature, food application or special environments different kind of special lubricants are available. Please ask our sales team for any special needs. For drive chain calculation and right dimension check, please contact our engineering department, also see drive chain calculation data sheet on page 301. By filling this data sheet and sending this to our engineering department you will receive a detailed drive chain calculation including life time expectation. Sprockets are available for all roller chains, with pilot bore, fixed bore, keyway, setscrew or bearing bore with grooves. Standard toothing, hardened toothing or special toothing are possible with pilot bore, fixed bore or taper bush. Chain tools, tensioners and chain lubricants please see page 302-310.

Short pitch precision roller chains EXL (B series)

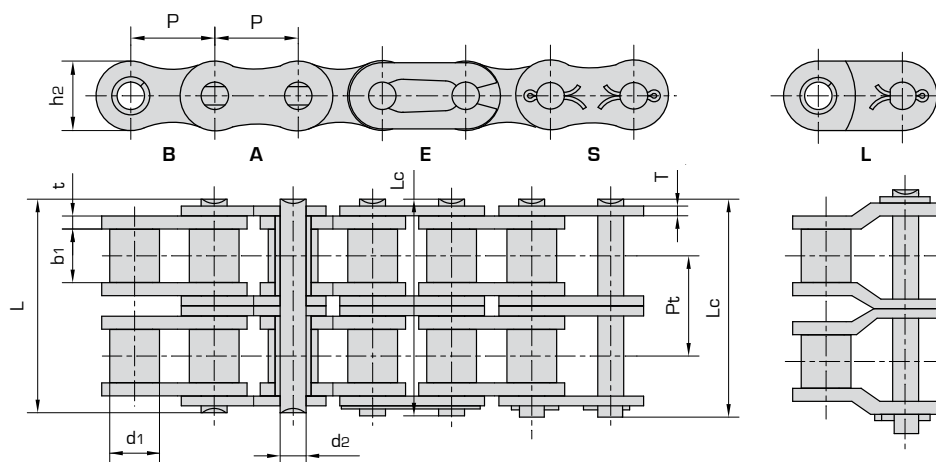
EXL

Duplex roller chains

| Part nr. | DIN/ISO 606 Chain no. | Pitch | Roller diameter | Width between inner plates | Pin diameter | Pin length | Inner plate depth | Plate thickness | Transverse pitch | |
|----------|-----------------------|---------|-----------------|----------------------------|--------------|------------|-------------------|-----------------|------------------|--------|
| | | P | d1 max | b1 min | d2 max | L max | Lc max | h2 max | T max | Pt |
| | | mm | mm | mm | mm | mm | mm | mm | mm | mm |
| 13004B-2 | 04B-2 EXL | 6,000 | 4,00 | 2,80 | 1,85 | 13,2 | 14,2 | 5,00 | 0,60 | 5,50 |
| 13005B-2 | 05B-2 EXL | 8,000 | 5,00 | 3,00 | 2,31 | 13,9 | 14,5 | 7,10 | 0,80 | 5,64 |
| 13006B-2 | *06B-2 EXL | 9,525 | 6,35 | 5,72 | 3,28 | 23,4 | 24,4 | 8,20 | 1,30 | 10,24 |
| 13008B-2 | 08B-2 EXL | 12,700 | 8,51 | 7,75 | 4,45 | 31,0 | 32,2 | 11,80 | 1,60 | 13,92 |
| 13010B-2 | 10B-2 EXL | 15,875 | 10,16 | 9,65 | 5,08 | 36,1 | 37,5 | 14,70 | 1,70 | 16,59 |
| 13012B-2 | 12B-2 EXL | 19,050 | 12,07 | 11,68 | 5,72 | 42,0 | 43,6 | 16,00 | 1,85 | 19,46 |
| 13016B-2 | 16B-2 EXL | 25,400 | 15,88 | 17,02 | 8,28 | 68,0 | 69,3 | 21,00 | 4,15/3,1 | 31,88 |
| 13020B-2 | 20B-2 EXL | 31,750 | 19,05 | 19,56 | 10,19 | 77,8 | 81,5 | 26,40 | 4,50/3,5 | 36,45 |
| 10024B-2 | 24B-2* | 38,100 | 25,40 | 25,40 | 14,63 | 101,7 | 106,2 | 33,20 | 6,00/4,8 | 48,36 |
| 10028B-2 | 28B-2* | 44,450 | 27,94 | 30,99 | 15,90 | 124,6 | 129,1 | 36,70 | 7,50/6,0 | 59,56 |
| 10032B-2 | 32B-2* | 50,800 | 29,21 | 30,99 | 17,81 | 124,6 | 129,6 | 42,00 | 7,00/6,0 | 58,55 |
| 10040B-2 | 40B-2* | 63,500 | 39,37 | 38,10 | 22,89 | 154,5 | 161,5 | 52,96 | 8,50/8,0 | 72,29 |
| 10048B-2 | 48B-2* | 76,200 | 48,26 | 45,72 | 29,24 | 190,4 | 198,2 | 63,80 | 12,00/10,0 | 91,21 |
| 10056B-2 | 56B-2* | 88,900 | 53,98 | 53,34 | 34,32 | 221,2 | 229,6 | 77,80 | 13,50/12,0 | 106,60 |
| 10064B-2 | 64B-2* | 101,600 | 63,50 | 60,96 | 39,40 | 249,9 | 258,4 | 90,17 | 15,00/13,0 | 119,89 |
| 10072B-2 | 72B-2* | 114,300 | 72,39 | 68,58 | 44,48 | 283,7 | 292,7 | 103,60 | 17,00/15,0 | 136,27 |

* Straight side plates

* From 24B and up SBSR is Donghua standard



| Ultimate tensile strength | Average tensile strength | Weight per meter | Available chain parts | | | | |
|---------------------------|--------------------------|------------------|-----------------------|---|---|---|---|
| Q min | Q0 | q | E | S | L | C | A |
| kN/lbf | kN | kg/m | | | | | |
| 5,0/1124 | 6,1 | 0,23 | X | | X | X | X |
| 7,8/1773 | 10,2 | 0,33 | X | | X | X | X |
| 16,9/3841 | 18,7 | 0,77 | X | | X | X | X |
| 32,0/7273 | 38,7 | 1,34 | X | X | X | X | X |
| 44,5/10114 | 56,2 | 1,84 | X | X | X | X | X |
| 57,8/13136 | 66,1 | 2,31 | X | X | X | X | X |
| 106,0/24091 | 152,0 | 5,42 | X | X | X | X | X |
| 170,0/38636 | 229 | 7,20 | | X | X | | X |
| 280,0/63636 | 319,2 | 13,40 | | X | X | | X |
| 360,0/81818 | 406,8 | 16,60 | | X | X | | X |
| 450,0/102273 | 508,5 | 21,00 | | X | X | | X |
| 630,0/143182 | 711,9 | 32,00 | | X | X | | X |
| 1000,0/227272 | 1130,0 | 50,00 | | X | X | | X |
| 1600,0/363635 | 1760,0 | 71,48 | | X | X | | X |
| 2000,0/454544 | 2200,0 | 91,00 | | X | X | | X |
| 2500,0/568180 | 2750,0 | 120,40 | | X | X | | X |



Premium range



Our NEW DONGHUA EXL SERIES is within our product Solution Quality range offering better wear resistance, better fatigue resistance and higher precision than our standard range. The superior quality, durability and outstanding wear and fatigue resistance are realized by the new wide waist design of the plates, solid bushes and solid rollers and special highly sophisticated long lasting lubricant. EXL easy dis- & reassembly through built-in Donghua's Easy Break Technology. All Donghua roller chains are: Pre-loaded, Fatigue resistant, Wear resistant and Pre-lubricated. Donghua simplex, duplex and triplex roller chains are manufactured according to ISO 606 DIN8187, standard pre-loaded, pre-lubricated, do have seamless rollers and are marked with production batch code number for complete traceability. All Donghua roller chains are sealed in plastic bags and packed in cardboard boxes with clear ISO 606 DIN descriptions and safety instructions. Standard packaging size is 5 meter box, reels are available on request. Cut to length service is available on request. Several test certificates like breaking load, length tolerance and material analyses are possible and available on request. Rollers chains which are needed for 'run as pairs' applications can be matched as pairs on request. DIN, 1/2DIN and 1/3DIN length tolerance are possible, please ask us for a quotation. For high temperature, low temperature, food application or special environments different kind of special lubricants are available. Please ask our sales team for any special needs. For drive chain calculation and right dimension check, please contact our engineering department, also see drive chain calculation data sheet on page 301. By filling this data sheet and sending this to our engineering department you will receive a detailed drive chain calculation including life time expectation. Sprockets are available for all roller chains, with pilot bore, fixed bore, keyway, setscrew or bearing bore with grooves. Standard toothing, hardened toothing or special toothing are possible with pilot bore, fixed bore or taper bush. Chain tools, tensioners and chain lubricants please see page 302-310.

Short pitch precision roller chains EXL (B series)

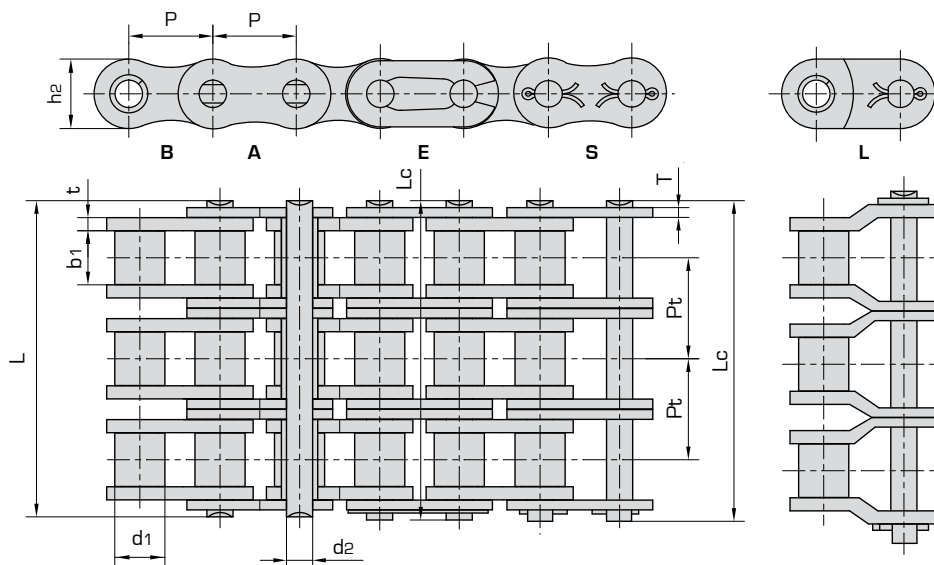
EXL

Triplex roller chains

| Part nr. | DIN/ISO 606 Chain no. | Pitch | Roller diameter | Width between inner plates | Pin diameter | Pin length | Inner plate depth | Plate thickness | Transverse pitch | |
|----------|-----------------------|---------|-----------------|----------------------------|--------------|------------|-------------------|-----------------|------------------|--------|
| | | P | d1 max | b1 min | d2 max | L max | Lc max | h2 max | T max | Pt |
| | | mm | mm | mm | mm | mm | mm | mm | mm | mm |
| 13005B-3 | 05B-3 EXL | 8,000 | 5,00 | 3,00 | 2,31 | 19,5 | 20,2 | 7,10 | 0,80 | 5,64 |
| 13006B-3 | *06B-3 EXL | 9,525 | 6,35 | 5,72 | 3,28 | 33,5 | 34,6 | 8,20 | 1,30 | 10,24 |
| 13008B-3 | 08B-3 EXL | 12,700 | 8,51 | 7,75 | 4,45 | 45,1 | 46,1 | 11,80 | 1,60 | 13,92 |
| 13010B-3 | 10B-3 EXL | 15,875 | 10,16 | 9,65 | 5,08 | 52,7 | 54,1 | 14,70 | 1,70 | 16,59 |
| 13012B-3 | 12B-3 EXL | 19,050 | 12,07 | 11,68 | 5,72 | 61,5 | 63,1 | 16,00 | 1,85 | 19,46 |
| 13016B-3 | 16B-3 EXL | 25,400 | 15,88 | 17,02 | 8,28 | 99,8 | 101,2 | 21,00 | 4,15/3,1 | 31,88 |
| 13020B-3 | 20B-3 EXL | 31,750 | 19,05 | 19,56 | 10,19 | 114,2 | 117,9 | 26,40 | 4,50/3,5 | 36,45 |
| 10024B-3 | 24B-3* | 38,100 | 25,40 | 25,40 | 14,63 | 150,1 | 154,6 | 33,20 | 6,00/4,8 | 48,36 |
| 10028B-3 | 28B-3* | 44,450 | 27,94 | 30,99 | 15,90 | 184,2 | 188,7 | 36,70 | 7,50/6,0 | 59,56 |
| 10032B-3 | 32B-3* | 50,800 | 29,21 | 30,99 | 17,81 | 183,2 | 188,2 | 42,00 | 7,00/6,0 | 58,55 |
| 10040B-3 | 40B-3* | 63,500 | 39,37 | 38,10 | 22,89 | 226,8 | 233,8 | 52,96 | 8,50/8,0 | 72,29 |
| 10048B-3 | 48B-3* | 76,200 | 48,26 | 45,72 | 29,24 | 281,6 | 289,4 | 63,80 | 12,00/10,0 | 91,21 |
| 10056B-3 | 56B-3* | 88,900 | 53,98 | 53,34 | 34,32 | 327,8 | 336,2 | 77,80 | 13,50/12,0 | 106,6 |
| 10064B-3 | 64B-3* | 101,600 | 63,50 | 60,96 | 39,40 | 369,8 | 378,3 | 90,17 | 15,00/13,0 | 119,89 |
| 10072B-3 | 72B-3* | 114,300 | 72,39 | 68,58 | 44,48 | 420,0 | 429,0 | 103,60 | 17,00/15,0 | 136,27 |

* Straight side plates

* From 24B and up SBSR is Donghua standard



| Ultimate tensile strength | Average tensile strength | Weight per meter | Available chain parts | | | | |
|---------------------------|--------------------------|------------------|-----------------------|---|---|---|---|
| Q min | Q0 | q | E | S | L | C | A |
| kN/lbf | kN | kg/m | | | | | |
| 11,1/2523 | 13,8 | 0,48 | X | | X | X | X |
| 24,9/5659 | 30,1 | 1,16 | X | | X | X | X |
| 47,5/10795 | 57,8 | 2,03 | X | X | X | X | X |
| 66,7/15159 | 84,5 | 2,77 | X | X | X | X | X |
| 86,7/19705 | 101,8 | 3,46 | X | X | X | X | X |
| 160,0/36364 | 227,1 | 8,13 | X | X | X | X | X |
| 250,0/56818 | 334,3 | 10,82 | | X | X | | X |
| 425,0/96591 | 493,0 | 20,10 | | X | X | | X |
| 530,0/120454 | 609,5 | 24,92 | | X | X | | X |
| 670,0/152273 | 770,5 | 31,56 | | X | X | | X |
| 950,0/215909 | 1092,5 | 48,10 | | X | X | | X |
| 1500,0/340909 | 1710,0 | 75,00 | | X | X | | X |
| 2240,0/545450 | 2464,0 | 107,18 | | X | X | | X |
| 3000,0/681820 | 3300,0 | 136,00 | | X | X | | X |
| 3750,0/852270 | 4125,0 | 180,00 | | X | X | | X |



Our NEW DONGHUA EXL SERIES is within our product Solution Quality range offering better wear resistance, better fatigue resistance and higher precision than our standard range. The superior quality, durability and outstanding wear and fatigue resistance are realized by the new wide waist design of the plates, solid bushes and solid rollers and special highly sophisticated long lasting lubricant. EXL easy dis- & reassembly through built-in Donghua's Easy Break Technology. All Donghua roller chains are: Pre-loaded, Fatigue resistant, Wear resistant and Pre-lubricated. Donghua simplex, duplex and triplex roller chains are manufactured according to ISO 606 DIN8187, standard pre-loaded, pre-lubricated, do have seamless rollers and are marked with production batch code number for complete traceability. All Donghua roller chains are sealed in plastic bags and packed in cardboard boxes with clear ISO 606 DIN descriptions and safety instructions. Standard packaging size is 5 meter box, reels are available on request. Cut to length service is available on request. Several test certificates like breaking load, length tolerance and material analyses are possible and available on request. Rollers chains which are needed for 'run as pairs' applications can be matched as pairs on request. DIN, 1/2DIN and 1/3DIN length tolerance are possible, please ask us for a quotation. For high temperature, low temperature, food application or special environments different kind of special lubricants are available. Please ask our sales team for any special needs. For drive chain calculation and right dimension check, please contact our engineering department, also see drive chain calculation data sheet on page 301. By filling this data sheet and sending this to our engineering department you will receive a detailed drive chain calculation including life time expectation. Sprockets are available for all roller chains, with pilot bore, fixed bore, keyway, setscrew or bearing bore with grooves. Standard toothing, hardened toothing or special toothing are possible with pilot bore, fixed bore or taper bush. Chain tools, tensioners and chain lubricants please see page 302-310.

Short pitch precision roller chains EXL (A series)

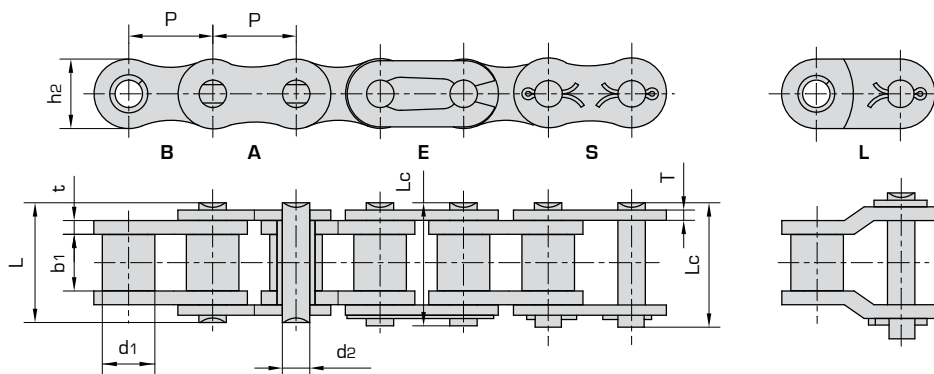
EXL

Simplex roller chains & bush chains

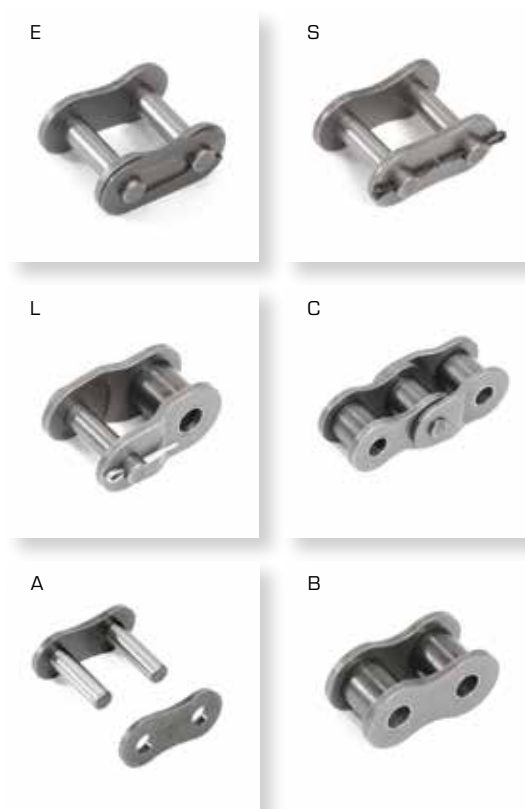
| Part nr. | DIN/ISO 606 Chain no. | ANSI Chain no. | Pitch | Roller | Width | Pin | Pin length | | Inner | Plate | |
|-----------|--------------------------|-------------------|--------|----------|---------|----------|------------|--------|--------|-----------|----|
| | | | | diameter | between | diameter | L max | Lc max | plate | thickness | |
| | | | | d1 max | inner | d2 max | mm | mm | depth | mm | |
| | | | P | d1 max | b1 min | d2 max | L max | Lc max | h2 max | T max | |
| | | | mm | mm | mm | mm | mm | mm | mm | mm | mm |
| 13025-1 | *04C-1 EXL | *25 | 6,350 | 3,30 | 3,18 | 2,31 | 7,90 | 8,40 | 6,00 | 0,80 | |
| 13035-1 | *06C-1 EXL | *35 | 9,525 | 5,08 | 4,77 | 3,58 | 12,40 | 13,17 | 9,00 | 1,30 | |
| 13040-1 | 08A-1 EXL | 40 | 12,700 | 7,95 | 7,85 | 3,96 | 16,60 | 17,80 | 12,00 | 1,50 | |
| 13050-1 | 10A-1 EXL | 50 | 15,875 | 10,16 | 9,40 | 5,08 | 20,70 | 22,20 | 15,09 | 2,03 | |
| 13060-1 | 12A-1 EXL | 60 | 19,050 | 11,91 | 12,57 | 5,94 | 25,90 | 27,70 | 18,00 | 2,42 | |
| 13080-1 | 16A-1 EXL | 80 | 25,400 | 15,88 | 15,75 | 7,92 | 32,70 | 35,00 | 24,00 | 3,25 | |
| 130100-1 | 20A-1 EXL | 100 | 31,750 | 19,05 | 18,90 | 9,53 | 40,40 | 44,70 | 30,00 | 4,00 | |
| 100120-1* | 24A-1 | 120 | 38,100 | 22,23 | 25,22 | 11,10 | 50,30 | 54,30 | 35,70 | 4,80 | |
| 100140-1* | 28A-1 | 140 | 44,450 | 25,40 | 25,22 | 12,70 | 54,40 | 59,00 | 41,00 | 5,60 | |
| 100160-1* | 32A-1 | 160 | 50,800 | 28,58 | 31,55 | 14,27 | 64,80 | 69,60 | 47,80 | 6,40 | |
| 100180-1* | 36A-1 | 180 | 57,150 | 35,71 | 35,48 | 17,46 | 72,80 | 78,60 | 53,60 | 7,20 | |
| 100200-1* | 40A-1 | 200 | 63,500 | 39,68 | 37,85 | 19,85 | 80,30 | 87,20 | 60,00 | 8,00 | |
| 100240-1* | 48A-1 | 240 | 76,200 | 47,63 | 47,35 | 23,81 | 95,50 | 103,00 | 72,39 | 9,50 | |

* Bush chain: d1 in the table indicates the external diameter of the bush.

* From 24A and up EXL is Donghua standard



| Ultimate tensile strength | Average tensile strength | Weight per meter | Available chain parts | | | | | |
|---------------------------|--------------------------|------------------|-----------------------|---|---|---|---|---|
| Q min | Q0 | q | E | S | L | C | A | B |
| kN/lbf | kN | kg/m | | | | | | |
| 3,50/795 | 5,0 | 0,15 | X | | | X | X | X |
| 7,90/1795 | 11,3 | 0,33 | X | | X | X | X | X |
| 14,10/3205 | 18,6 | 0,62 | X | | X | X | X | X |
| 22,20/5045 | 31,3 | 1,02 | X | | X | X | X | X |
| 31,80/7227 | 43,2 | 1,50 | X | | X | X | X | X |
| 56,70/12886 | 74,3 | 2,60 | X | | X | X | X | X |
| 88,50/20114 | 107,6 | 3,91 | | X | X | | X | X |
| 127,00/28864 | 163,1 | 5,62 | | X | X | | X | X |
| 172,40/39182 | 222,5 | 7,50 | | X | X | | X | X |
| 226,80/51545 | 266,9 | 10,10 | | X | X | | X | X |
| 280,20/63682 | 361,1 | 13,45 | | X | X | | X | X |
| 353,80/80409 | 466,8 | 16,15 | | X | X | | X | X |
| 510,30/115977 | 671,6 | 23,20 | | X | X | | X | X |



Premium range



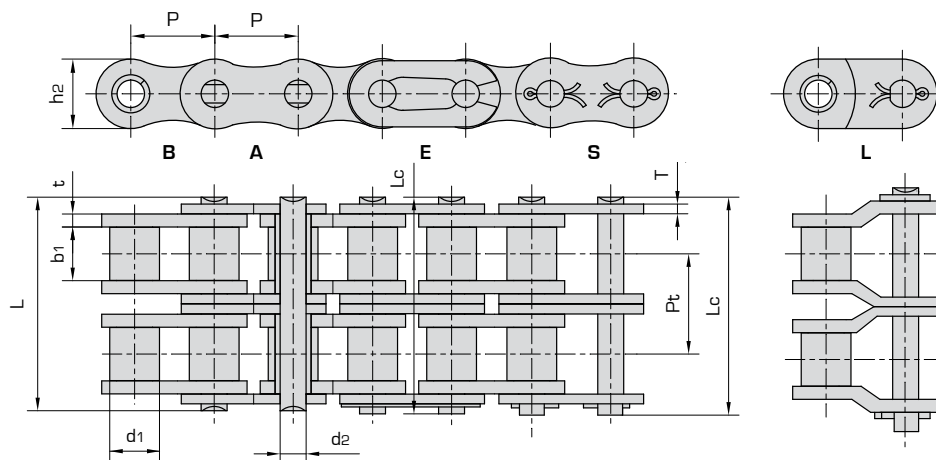
Our NEW DONGHUA EXL SERIES is within our product Solution Quality range offering better wear resistance, better fatigue resistance and higher precision than our standard range. The superior quality, durability and outstanding wear and fatigue resistance are realized by the new wide waist design of the plates, solid bushes and solid rollers and special highly sophisticated long lasting lubricant. EXL easy dis- & reassembly through built-in Donghua's Easy Break Technology. All Donghua roller chains are: Pre-loaded, Fatigue resistant, Wear resistant and Pre-lubricated. Donghua simplex, duplex and triplex roller chains are manufactured according to ISO 606 DIN8187, standard pre-loaded, pre-lubricated, do have seamless rollers and are marked with production batch code number for complete traceability. All Donghua roller chains are sealed in plastic bags and packed in cardboard boxes with clear ISO 606 DIN descriptions and safety instructions. Standard packaging size is 5 meter box, reels are available on request. Cut to length service is available on request. Several test certificates like breaking load, length tolerance and material analyses are possible and available on request. Rollers chains which are needed for 'run as pairs' applications can be matched as pairs on request. DIN, 1/2DIN and 1/3DIN length tolerance are possible, please ask us for a quotation. For high temperature, low temperature, food application or special environments different kind of special lubricants are available. Please ask our sales team for any special needs. For drive chain calculation and right dimension check, please contact our engineering department, also see drive chain calculation data sheet on page 301. By filling this data sheet and sending this to our engineering department you will receive a detailed drive chain calculation including life time expectation. Sprockets are available for all roller chains, with pilot bore, fixed bore, keyway, setscrew or bearing bore with grooves. Standard toothing, hardened toothing or special toothing are possible with pilot bore, fixed bore or taper bush. Chain tools, tensioners and chain lubricants please see page 302-310.

Short pitch precision roller chains EXL (A series)

Duplex roller chains & bush chains

| Part nr. | DIN/ISO 606 Chain no. | ANSI Chain no. | Pitch | Roller diameter | Width between inner plates | Pin diameter | Pin length | | Inner plate depth | Plate thickness | Transverse pitch |
|-----------|-----------------------|----------------|--------|-----------------|----------------------------|--------------|------------|--------|-------------------|-----------------|------------------|
| | | | | | | | L max | Lc max | | | |
| | | | P | d1 max | b1 min | d2 max | L max | Lc max | h2 max | T max | |
| | | | mm | mm | mm | mm | mm | mm | mm | mm | mm |
| 13025-2 | *04C-2 EXL | *25-2 | 6,350 | 3,30 | 3,18 | 2,31 | 14,5 | 15,0 | 6,00 | 0,80 | 6,40 |
| 13035-2 | *06C-2 EXL | *35-2 | 9,525 | 5,08 | 4,77 | 3,58 | 22,5 | 23,3 | 9,00 | 1,30 | 10,13 |
| 13040-2 | 08A-2 EXL | 40-2 | 12,700 | 7,95 | 7,85 | 3,96 | 31,0 | 32,2 | 12,00 | 1,50 | 14,38 |
| 13050-2 | 10A-2 EXL | 50-2 | 15,875 | 10,16 | 9,40 | 5,08 | 38,9 | 40,4 | 15,09 | 2,03 | 18,11 |
| 13060-2 | 12A-2 EXL | 60-2 | 19,050 | 11,91 | 12,57 | 5,94 | 48,8 | 50,5 | 18,00 | 2,42 | 22,78 |
| 13080-2 | 16A-2 EXL | 80-2 | 25,400 | 15,88 | 15,75 | 7,92 | 62,7 | 64,3 | 24,00 | 3,25 | 29,29 |
| 130100-2 | 20A-2 EXL | 100-2 | 31,750 | 19,05 | 18,90 | 9,53 | 76,4 | 80,5 | 30,00 | 4,00 | 35,76 |
| 100120-2* | 24A-2 | 120-2 | 38,100 | 22,23 | 25,22 | 11,10 | 95,8 | 99,7 | 35,70 | 4,80 | 45,44 |
| 100140-2* | 28A-2 | 140-2 | 44,450 | 25,40 | 25,22 | 12,70 | 103,3 | 107,9 | 41,00 | 5,60 | 48,87 |
| 100160-2* | 32A-2 | 160-2 | 50,800 | 28,58 | 31,55 | 14,27 | 123,3 | 128,1 | 47,80 | 6,40 | 58,55 |
| 100180-2* | 36A-2 | 180-2 | 57,150 | 35,71 | 35,48 | 17,46 | 138,6 | 144,4 | 53,60 | 7,20 | 65,84 |
| 100200-2* | 40A-2 | 200-2 | 63,500 | 39,68 | 37,85 | 19,85 | 151,9 | 158,8 | 60,00 | 8,00 | 71,55 |
| 100240-2* | 48A-2 | 240-2 | 76,200 | 47,63 | 47,35 | 23,81 | 183,4 | 190,8 | 72,39 | 9,50 | 87,83 |

* Bush chain: d1 in the table indicates the external diameter of the bush.



| Ultimate tensile strength | Average tensile strength | Weight per meter | Available chain parts | | | | |
|---------------------------|--------------------------|------------------|-----------------------|---|---|---|---|
| | | | E | S | L | C | A |
| Q min | Q0 | q | | | | | |
| kN/lbf | kN | kg/m | | | | | |
| 7,00/1591 | 10,0 | 0,28 | X | | | X | X |
| 15,80/3591 | 22,3 | 0,63 | X | | | X | X |
| 28,20/6409 | 37,2 | 1,12 | X | | X | X | X |
| 44,40/10091 | 62,6 | 2,00 | X | | X | X | X |
| 63,60/14455 | 86,4 | 2,92 | X | | X | X | X |
| 113,40/25773 | 148,6 | 5,15 | X | | X | X | X |
| 177,00/40227 | 215,2 | 7,80 | | X | X | | X |
| 254,00/57727 | 326,2 | 11,70 | | X | X | | X |
| 344,80/78364 | 445,0 | 15,14 | | X | X | | X |
| 453,60/103091 | 533,8 | 20,14 | | X | X | | X |
| 560,50/127386 | 722,2 | 29,22 | | X | X | | X |
| 707,60/160818 | 933,6 | 32,24 | | X | X | | X |
| 1020,60/213955 | 1343,2 | 45,23 | | X | X | | X |



Our NEW DONGHUA EXL SERIES is within our product Solution Quality range offering better wear resistance, better fatigue resistance and higher precision than our standard range. The superior quality, durability and outstanding wear and fatigue resistance are realized by the new wide waist design of the plates, solid bushes and solid rollers and special highly sophisticated long lasting lubricant. EXL easy dis- & reassembly through built-in Donghua's Easy Break Technology. All Donghua roller chains are: Pre-loaded, Fatigue resistant, Wear resistant and Pre-lubricated. Donghua simplex, duplex and triplex roller chains are manufactured according to ISO 606 DIN8187, standard pre-loaded, pre-lubricated, do have seamless rollers and are marked with production batch code number for complete traceability. All Donghua roller chains are sealed in plastic bags and packed in cardboard boxes with clear ISO 606 DIN descriptions and safety instructions. Standard packaging size is 5 meter box, reels are available on request. Cut to length service is available on request. Several test certificates like breaking load, length tolerance and material analyses are possible and available on request. Rollers chains which are needed for 'run as pairs' applications can be matched as pairs on request. DIN, 1/2DIN and 1/3DIN length tolerance are possible, please ask us for a quotation. For high temperature, low temperature, food application or special environments different kind of special lubricants are available. Please ask our sales team for any special needs. For drive chain calculation and right dimension check, please contact our engineering department, also see drive chain calculation data sheet on page 301. By filling this data sheet and sending this to our engineering department you will receive a detailed drive chain calculation including life time expectation. Sprockets are available for all roller chains, with pilot bore, fixed bore, keyway, setscrew or bearing bore with grooves. Standard toothing, hardened toothing or special toothing are possible with pilot bore, fixed bore or taper bush. Chain tools, tensioners and chain lubricants please see page 302-310.

Short pitch precision roller chains EXL (A series)

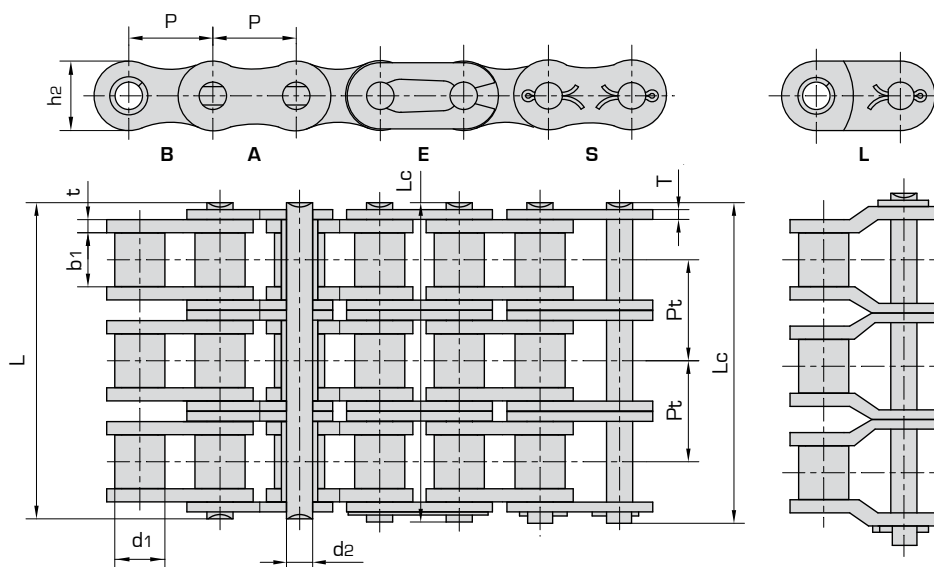
EXL

Triplex roller chains & bush chains

| Part nr. | DIN/ISO 606 Chain no. | ANSI Chain no. | Pitch | Roller diameter | Width between inner plates | Pin diameter | Pin length | | Inner plate depth | Plate thickness | Transverse pitch |
|------------------|-----------------------|----------------|--------|-----------------|----------------------------|--------------|------------|--------|-------------------|-----------------|------------------|
| | | | | d1 max | b1 min | d2 max | L max | Lc max | h2 max | T max | |
| | | | | mm | mm | mm | mm | mm | mm | mm | |
| 13025-3 | *04C-3 EXL | *25-3 | 6,350 | 3,30 | 3,18 | 2,31 | 21,0 | 21,5 | 6,00 | 0,80 | 6,40 |
| 13035-3 | *06C-3 EXL | *35-3 | 9,525 | 5,08 | 4,77 | 3,58 | 32,7 | 33,5 | 9,00 | 1,30 | 10,13 |
| 13040-3 | 08A-3 EXL | 40-3 | 12,700 | 7,95 | 7,85 | 3,96 | 45,4 | 46,6 | 12,00 | 1,50 | 14,38 |
| 13050-3 | 10A-3 EXL | 50-3 | 15,875 | 10,16 | 9,40 | 5,08 | 57,0 | 58,5 | 15,09 | 2,03 | 18,11 |
| 13060-3 | 12A-3 EXL | 60-3 | 19,050 | 11,91 | 12,57 | 5,94 | 71,5 | 73,3 | 18,00 | 2,42 | 22,78 |
| 13080-3 | 16A-3 EXL | 80-3 | 25,400 | 15,88 | 15,75 | 7,92 | 91,7 | 93,6 | 24,00 | 3,25 | 29,29 |
| 130100-3 | 20A-3 EXL | 100-3 | 31,750 | 19,05 | 18,90 | 9,53 | 112,2 | 116,3 | 30,00 | 4,00 | 35,76 |
| 100120-3* | 24A-3 | 120-3 | 38,100 | 22,23 | 25,22 | 11,10 | 141,4 | 145,2 | 35,70 | 4,80 | 45,44 |
| 100140-3* | 28A-3 | 140-3 | 44,450 | 25,40 | 25,22 | 12,70 | 152,2 | 156,8 | 41,00 | 5,60 | 48,87 |
| 100160-3* | 32A-3 | 160-3 | 50,800 | 28,58 | 31,55 | 14,27 | 181,8 | 186,6 | 47,80 | 6,40 | 58,55 |
| 100180-3* | 36A-3 | 180-3 | 57,150 | 35,71 | 35,48 | 17,46 | 204,4 | 210,2 | 53,60 | 7,20 | 65,84 |
| 100200-3* | 40A-3 | 200-3 | 63,500 | 39,68 | 37,85 | 19,85 | 223,5 | 230,4 | 60,00 | 8,00 | 71,55 |
| 100240-3* | 48A-3 | 240-3 | 76,200 | 47,63 | 47,35 | 23,81 | 271,3 | 278,6 | 72,39 | 9,50 | 87,83 |

* Bush chain: d1 in the table indicates the external diameter of the bush.

* From 24A and up SBSR is Donghua standard.



| Ultimate tensile strength | Average tensile strength | Weight per meter | Available chain parts | | | | |
|---------------------------|--------------------------|------------------|-----------------------|---|---|---|---|
| Q min | Q0 | q | E | S | L | C | A |
| kN/lbf | kN | kg/m | | | | | |
| 10,5/2386 | 15,0 | 0,44 | X | | | X | X |
| 23,7/5386 | 33,9 | 1,05 | X | | | X | X |
| 42,3/9614 | 55,8 | 1,90 | X | | X | | X |
| 66,6/15136 | 93,9 | 3,09 | X | | X | | X |
| 95,4/21682 | 129,6 | 4,54 | X | | X | | X |
| 170,1/38659 | 222,9 | 7,89 | X | | X | | X |
| 265,5/60341 | 322,8 | 11,77 | | X | X | | X |
| 381,0/86591 | 489,3 | 17,53 | | X | X | | X |
| 517,2/117545 | 667,5 | 22,20 | | X | X | | X |
| 680,4/154636 | 800,7 | 30,02 | | X | X | | X |
| 840,7/191068 | 1083,3 | 38,22 | | X | X | | X |
| 1061,4/241227 | 1400,4 | 49,03 | | X | X | | X |
| 1530,9/347932 | 2014,8 | 71,60 | | X | X | | X |



Our NEW DONGHUA EXL SERIES is within our product Solution Quality range offering better wear resistance, better fatigue resistance and higher precision than our standard range. The superior quality, durability and outstanding wear and fatigue resistance are realized by the new wide waist design of the plates, solid bushes and solid rollers and special highly sophisticated long lasting lubricant. EXL easy dis- & reassembly through built-in Donghua's Easy Break Technology. All Donghua roller chains are: Pre-loaded, Fatigue resistant, Wear resistant and Pre-lubricated. Donghua simplex, duplex and triplex roller chains are manufactured according to ISO 606 DIN8187, standard pre-loaded, pre-lubricated, do have seamless rollers and are marked with production batch code number for complete traceability. All Donghua roller chains are sealed in plastic bags and packed in cardboard boxes with clear ISO 606 DIN descriptions and safety instructions. Standard packaging size is 5 meter box, reels are available on request. Cut to length service is available on request. Several test certificates like breaking load, length tolerance and material analyses are possible and available on request. Rollers chains which are needed for 'run as pairs' applications can be matched as pairs on request. DIN, 1/2DIN and 1/3DIN length tolerance are possible, please ask us for a quotation. For high temperature, low temperature, food application or special environments different kind of special lubricants are available. Please ask our sales team for any special needs. For drive chain calculation and right dimension check, please contact our engineering department, also see drive chain calculation data sheet on page 301. By filling this data sheet and sending this to our engineering department you will receive a detailed drive chain calculation including life time expectation. Sprockets are available for all roller chains, with pilot bore, fixed bore, keyway, setscrew or bearing bore with grooves. Standard toothing, hardened toothing or special toothing are possible with pilot bore, fixed bore or taper bush. Chain tools, tensioners and chain lubricants please see page 302-310.

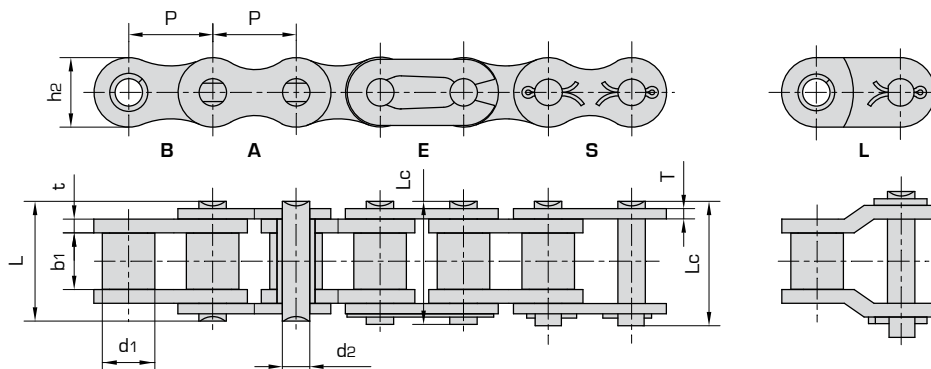
Short pitch precision roller chains (B series)

CP Hard Chromized Pins

Simplex roller chains

| Part nr. | DIN/ISO 606 Chain no. | Pitch | Roller diameter | Width between inner plates | Pin diameter | Pin length | | Inner plate depth | Plate thickness |
|------------|-----------------------|---------|-----------------|----------------------------|--------------|------------|--------|-------------------|-----------------|
| | | P | d1 max | b1 min | d2 max | L max | Lc max | h2 max | T max |
| | | mm | mm | mm | mm | mm | mm | mm | mm |
| 10004B-1CP | 04B-1CP | 6,000 | 4,00 | 2,80 | 1,85 | 6,80 | 7,8 | 5,00 | 0,60 |
| 10005B-1CP | 05B-1CP | 8,000 | 5,00 | 3,00 | 2,31 | 8,20 | 8,9 | 7,10 | 0,80 |
| 10006B-1CP | *06B-1CP | 9,525 | 6,35 | 5,72 | 3,28 | 13,15 | 14,1 | 8,20 | 1,30 |
| 10008B-1CP | 08B-1CP | 12,700 | 8,51 | 7,75 | 4,45 | 16,70 | 18,2 | 11,80 | 1,60 |
| 10010B-1CP | 10B-1CP | 15,875 | 10,16 | 9,65 | 5,08 | 19,50 | 20,9 | 14,70 | 1,70 |
| 10012B-1CP | 12B-1CP | 19,050 | 12,07 | 11,68 | 5,72 | 22,50 | 24,2 | 16,00 | 1,85 |
| 10016B-1CP | 16B-1CP | 25,400 | 15,88 | 17,02 | 8,28 | 36,10 | 37,4 | 21,00 | 4,15/3,1 |
| 10020B-1CP | 20B-1CP | 31,750 | 19,05 | 19,56 | 10,19 | 41,30 | 45,0 | 26,40 | 4,50/3,5 |
| 10024B-1CP | 24B-1CP | 38,100 | 25,40 | 25,40 | 14,63 | 53,40 | 57,8 | 33,20 | 6,00/4,8 |
| 10028B-1CP | 28B-1CP | 44,450 | 27,94 | 30,99 | 15,90 | 65,10 | 69,5 | 36,70 | 7,50/6,0 |
| 10032B-1CP | 32B-1CP | 50,800 | 29,21 | 30,99 | 17,81 | 66,00 | 71,0 | 42,00 | 7,00/6,0 |
| 10040B-1CP | 40B-1CP | 63,500 | 39,37 | 38,10 | 22,89 | 82,20 | 89,2 | 52,96 | 8,50/8,0 |
| 10048B-1CP | 48B-1CP | 76,200 | 48,26 | 45,72 | 29,24 | 99,10 | 107,0 | 63,80 | 12,00/10,0 |
| 10056B-1CP | 56B-1CP | 88,900 | 53,98 | 53,34 | 34,32 | 114,60 | 123,0 | 77,80 | 13,50/12,0 |
| 10064B-1CP | 64B-1CP | 101,600 | 63,50 | 60,96 | 39,40 | 130,00 | 138,5 | 90,17 | 15,00/13,0 |
| 10072B-1CP | 72B-1CP | 114,300 | 72,39 | 68,58 | 44,48 | 147,40 | 156,4 | 103,60 | 17,00/15,0 |

* Straight side plates



| Ultimate tensile strength | Average tensile strength | Weight per meter | Available chain parts | | | | | | |
|---------------------------|--------------------------|------------------|-----------------------|---|---|---|---|---|--|
| Q min | Q0 | q | | | | | | | |
| kN/lbf | kN | kg/m | E | S | L | C | A | B | |
| 3,0/682 | 3,2 | 0,11 | X | | X | X | X | X | |
| 5,0/1136 | 5,9 | 0,20 | X | | X | X | X | X | |
| 9,0/2045 | 10,4 | 0,41 | X | | X | X | X | X | |
| 18,0/4091 | 19,4 | 0,69 | X | X | X | X | X | X | |
| 22,4/5091 | 27,5 | 0,93 | X | X | X | X | X | X | |
| 29,0/6591 | 32,2 | 1,15 | X | X | X | X | X | X | |
| 60,0/13636 | 77,1 | 2,71 | X | X | X | X | X | X | |
| 95,0/21591 | 112,8 | 3,70 | X | X | X | | X | X | |
| 160,0/36364 | 178,0 | 7,10 | | X | X | | X | X | |
| 200,0/45455 | 236,4 | 8,50 | | X | X | | X | X | |
| 250,0/56818 | 277,5 | 10,25 | | X | X | | X | X | |
| 355,0/80682 | 394,0 | 16,35 | | X | X | | X | X | |
| 560,0/127272 | 621,6 | 25,00 | | X | X | | X | X | |
| 850,0/193180 | 940,0 | 35,78 | | X | X | | X | X | |
| 1120,0/254544 | 1240,0 | 46,00 | | X | X | | X | X | |
| 1400,0/318180 | 1550,0 | 60,80 | | X | X | | X | X | |



Donghua CP roller chains are built with hard chromized pins. The surface hardness is more than 1100 HV10 offering a +30% higher wear resistance than standard case hardened pins. Donghua CP roller chain are used for tough environments, high speed, high frequency of movement in the bearing area resisting wear much better than case hardened pins. In combination with highly sophisticated lubricant this technology brings a unique performance in wear resistance. All Donghua roller chains are: Pre-loaded, Fatigue resistant, Wear resistant and Pre-lubricated. Donghua simplex, duplex and triplex roller chains are manufactured according to ISO 606 DIN8187, standard pre-loaded, pre-lubricated, do have seamless rollers and are marked with production batch code number for complete traceability. All Donghua roller chains are sealed in plastic bags and packed in cardboard boxes with clear ISO 606 DIN descriptions and safety instructions. Standard packaging size is 5 meter box, reels are available on request. Cut to length service is available on request. Several test certificates like breaking load, length tolerance and material analyses are possible and available on request. Rollers chains which are needed for 'run as pairs' applications can be matched as pairs on request. DIN, 1/2DIN and 1/3DIN length tolerance are possible, please ask us for a quotation. For high temperature, low temperature, food application or special environments different kind of special lubricants are available. Please ask our sales team for any special needs. For drive chain calculation and right dimension check, please contact our engineering department, also see drive chain calculation data sheet on page 301. By filling this data sheet and sending this to our engineering department you will receive a detailed drive chain calculation including life time expectation. Sprockets are available for all roller chains, with pilot bore, fixed bore, keyway, setscrew or bearing bore with grooves. Standard toothing, hardened toothing or special toothing are possible with pilot bore, fixed bore or taper bush. Chain tools, tensioners and chain lubricants please see page 302-310.

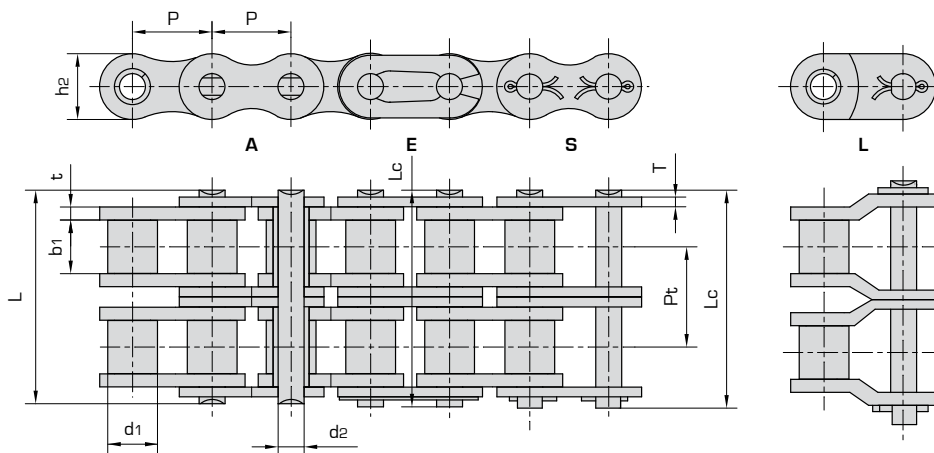
Short pitch precision roller chains (B series)

CP Hard Chromized Pins

Duplex roller chains

| Part nr. | DIN/ISO 606 Chain no. | Pitch | Roller diameter | Width between inner plates | Pin diameter | Pin length | Inner plate depth | Plate thickness | Transverse pitch | |
|------------|-----------------------|---------|-----------------|----------------------------|--------------|------------|-------------------|-----------------|------------------|--------|
| | | P | d1 max | b1 min | d2 max | L max | Lc max | h2 max | T max | Pt |
| | | mm | mm | mm | mm | mm | mm | mm | mm | mm |
| 10004B-2CP | 04B-2CP | 6,000 | 4,00 | 2,80 | 1,85 | 13,2 | 14,2 | 5,00 | 0,60 | 5,50 |
| 10005B-2CP | 05B-2CP | 8,000 | 5,00 | 3,00 | 2,31 | 13,9 | 14,5 | 7,10 | 0,80 | 5,64 |
| 10006B-2CP | *06B-2CP | 9,525 | 6,35 | 5,72 | 3,28 | 23,4 | 24,4 | 8,20 | 1,30 | 10,24 |
| 10008B-2CP | 08B-2CP | 12,700 | 8,51 | 7,75 | 4,45 | 31,0 | 32,2 | 11,80 | 1,60 | 13,92 |
| 10010B-2CP | 10B-2CP | 15,875 | 10,16 | 9,65 | 5,08 | 36,1 | 37,5 | 14,70 | 1,70 | 16,59 |
| 10012B-2CP | 12B-2CP | 19,050 | 12,07 | 11,68 | 5,72 | 42,0 | 43,6 | 16,00 | 1,85 | 19,46 |
| 10016B-2CP | 16B-2CP | 25,400 | 15,88 | 17,02 | 8,28 | 68,0 | 69,3 | 21,00 | 4,15/3,1 | 31,88 |
| 10020B-2CP | 20B-2CP | 31,750 | 19,05 | 19,56 | 10,19 | 77,8 | 81,5 | 26,40 | 4,50/3,5 | 36,45 |
| 10024B-2CP | 24B-2CP | 38,100 | 25,40 | 25,40 | 14,63 | 101,7 | 106,2 | 33,20 | 6,00/4,8 | 48,36 |
| 10028B-2CP | 28B-2CP | 44,450 | 27,94 | 30,99 | 15,90 | 124,6 | 129,1 | 36,70 | 7,50/6,0 | 59,56 |
| 10032B-2CP | 32B-2CP | 50,800 | 29,21 | 30,99 | 17,81 | 124,6 | 129,6 | 42,00 | 7,00/6,0 | 58,55 |
| 10040B-2CP | 40B-2CP | 63,500 | 39,37 | 38,10 | 22,89 | 154,5 | 161,5 | 52,96 | 8,50/8,0 | 72,29 |
| 10048B-2CP | 48B-2CP | 76,200 | 48,26 | 45,72 | 29,24 | 190,4 | 198,2 | 63,80 | 12,00/10,0 | 91,21 |
| 10056B-2CP | 56B-2CP | 88,900 | 53,98 | 53,34 | 34,32 | 221,2 | 229,6 | 77,80 | 13,50/12,0 | 106,60 |
| 10064B-2CP | 64B-2CP | 101,600 | 63,50 | 60,96 | 39,40 | 249,9 | 258,4 | 90,17 | 15,00/13,0 | 119,89 |
| 10072B-2CP | 72B-2CP | 114,300 | 72,39 | 68,58 | 44,48 | 283,7 | 292,7 | 103,60 | 17,00/15,0 | 136,27 |

* Straight side plates



| Ultimate tensile strength | Average tensile strength | Weight per meter | Available chain parts | | | | |
|---------------------------|--------------------------|------------------|-----------------------|---|---|---|---|
| Q min | Q0 | q | E | S | L | C | A |
| kN/lbf | kN | kg/m | | | | | |
| 5,0/1124 | 6,10 | 0,23 | X | | X | X | X |
| 7,8/1773 | 10,2 | 0,33 | X | | X | X | X |
| 16,9/3841 | 18,7 | 0,77 | X | | X | X | X |
| 32,0/7273 | 38,7 | 1,34 | X | X | X | X | X |
| 44,5/10114 | 56,2 | 1,84 | X | X | X | X | X |
| 57,8/13136 | 66,1 | 2,31 | X | X | X | X | X |
| 106,0/24091 | 152,0 | 5,42 | X | X | X | X | X |
| 170,0/38636 | 229 | 7,20 | | X | X | | X |
| 280,0/63636 | 319,2 | 13,40 | | X | X | | X |
| 360,0/81818 | 406,8 | 16,60 | | X | X | | X |
| 450,0/102273 | 508,5 | 21,00 | | X | X | | X |
| 630,0/143182 | 711,9 | 32,00 | | X | X | | X |
| 1000,0/227272 | 1130,0 | 50,00 | | X | X | | X |
| 1600,0/363635 | 1760,0 | 71,48 | | X | X | | X |
| 2000,0/454544 | 2200,0 | 91,00 | | X | X | | X |
| 2500,0/568180 | 2750,0 | 120,40 | | X | X | | X |

E



S



L



C



A



Donghua CP roller chains are built with hard chromized pins. The surface hardness is more than 1100 HV10 offering a +30% higher wear resistance than standard case hardened pins. Donghua CP roller chain are used for tough environments, high speed, high frequency of movement in the bearing area resisting wear much better than case hardened pins. In combination with highly sophisticated lubricant this technology brings a unique performance in wear resistance. All Donghua roller chains are: Pre-loaded, Fatigue resistant, Wear resistant and Pre-lubricated. Donghua simplex, duplex and triplex roller chains are manufactured according to ISO 606 DIN8187, standard pre-loaded, pre-lubricated, do have seamless rollers and are marked with production batch code number for complete traceability. All Donghua roller chains are sealed in plastic bags and packed in cardboard boxes with clear ISO 606 DIN descriptions and safety instructions. Standard packaging size is 5 meter box, reels are available on request. Cut to length service is available on request. Several test certificates like breaking load, length tolerance and material analyses are possible and available on request. Rollers chains which are needed for 'run as pairs' applications can be matched as pairs on request. DIN, 1/2DIN and 1/3DIN length tolerance are possible, please ask us for a quotation. For high temperature, low temperature, food application or special environments different kind of special lubricants are available. Please ask our sales team for any special needs. For drive chain calculation and right dimension check, please contact our engineering department, also see drive chain calculation data sheet on page 301. By filling this data sheet and sending this to our engineering department you will receive a detailed drive chain calculation including life time expectation. Sprockets are available for all roller chains, with pilot bore, fixed bore, keyway, setscrew or bearing bore with grooves. Standard toothing, hardened toothing or special toothing are possible with pilot bore, fixed bore or taper bush. Chain tools, tensioners and chain lubricants please see page 302-310.

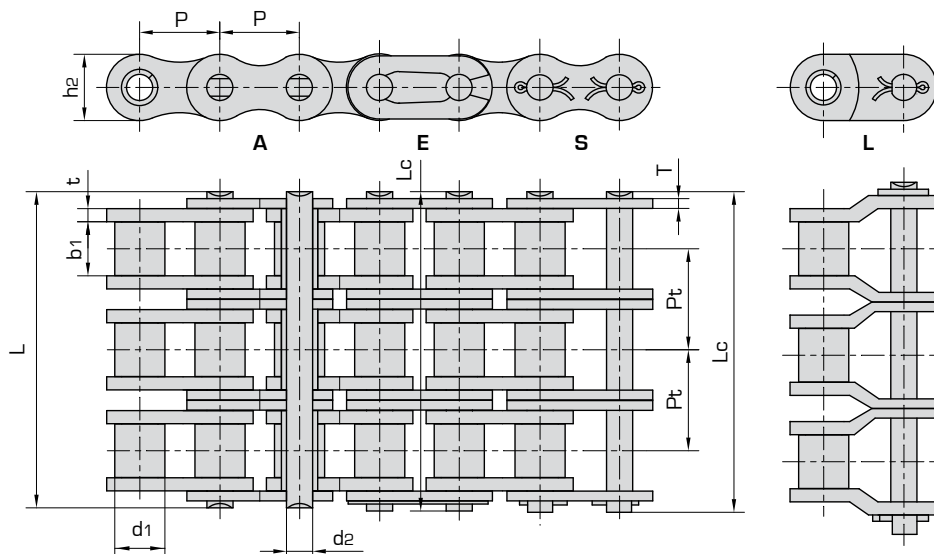
Short pitch precision roller chains (B series)

CP Hard Chromized Pins

Triplex roller chains

| Part nr. | DIN/ISO 606 Chain no. | Pitch | Roller diameter | Width between inner plates | Pin diameter | Pin length | Inner plate depth | Plate thickness | Transverse pitch | |
|------------|-----------------------|---------|-----------------|----------------------------|--------------|------------|-------------------|-----------------|------------------|--------|
| | | P | d1 max | b1 min | d2 max | L max | Lc max | h2 max | T max | Pt |
| | | mm | mm | mm | mm | mm | mm | mm | mm | mm |
| 10005B-3CP | 05B-3CP | 8,000 | 5,00 | 3,00 | 2,31 | 19,5 | 20,2 | 7,10 | 0,80 | 5,64 |
| 10006B-3CP | *06B-3CP | 9,525 | 6,35 | 5,72 | 3,28 | 33,5 | 34,6 | 8,20 | 1,30 | 10,24 |
| 10008B-3CP | 08B-3CP | 12,700 | 8,51 | 7,75 | 4,45 | 45,1 | 46,1 | 11,80 | 1,60 | 13,92 |
| 10010B-3CP | 10B-3CP | 15,875 | 10,16 | 9,65 | 5,08 | 52,7 | 54,1 | 14,70 | 1,70 | 16,59 |
| 10012B-3CP | 12B-3CP | 19,050 | 12,07 | 11,68 | 5,72 | 61,5 | 63,1 | 16,00 | 1,85 | 19,46 |
| 10016B-3CP | 16B-3CP | 25,400 | 15,88 | 17,02 | 8,28 | 99,8 | 101,2 | 21,00 | 4,15/3,1 | 31,88 |
| 10020B-3CP | 20B-3CP | 31,750 | 19,05 | 19,56 | 10,19 | 114,2 | 117,9 | 26,40 | 4,50/3,5 | 36,45 |
| 10024B-3CP | 24B-3CP | 38,100 | 25,40 | 25,40 | 14,63 | 150,1 | 154,6 | 33,20 | 6,00/4,8 | 48,36 |
| 10028B-3CP | 28B-3CP | 44,450 | 27,94 | 30,99 | 15,90 | 184,2 | 188,7 | 36,70 | 7,50/6,0 | 59,56 |
| 10032B-3CP | 32B-3CP | 50,800 | 29,21 | 30,99 | 17,81 | 183,2 | 188,2 | 42,00 | 7,00/6,0 | 58,55 |
| 10040B-3CP | 40B-3CP | 63,500 | 39,37 | 38,10 | 22,89 | 226,8 | 233,8 | 52,96 | 8,50/8,0 | 72,29 |
| 10048B-3CP | 48B-3CP | 76,200 | 48,26 | 45,72 | 29,24 | 281,6 | 289,4 | 63,80 | 12,00/10,0 | 91,21 |
| 10056B-3CP | 56B-3CP | 88,900 | 53,98 | 53,34 | 34,32 | 327,8 | 336,2 | 77,80 | 13,50/12,0 | 106,6 |
| 10064B-3CP | 64B-3CP | 101,600 | 63,50 | 60,96 | 39,40 | 369,8 | 378,3 | 90,17 | 15,00/13,0 | 119,89 |
| 10072B-3CP | 72B-3CP | 114,300 | 72,39 | 68,58 | 44,48 | 420,0 | 429,0 | 103,60 | 17,00/15,0 | 136,27 |

* Straight side plates



| Ultimate tensile strength | Average tensile strength | Weight per meter | Available chain parts | | | | |
|---------------------------|--------------------------|------------------|-----------------------|---|---|---|---|
| Q min | Q0 | q | E | S | L | C | A |
| kN/lbf | kN | kg/m | | | | | |
| 11,1/2523 | 13,8 | 0,48 | X | | X | X | X |
| 24,9/5659 | 30,1 | 1,16 | X | | X | X | X |
| 47,5/10795 | 57,8 | 2,03 | X | X | X | X | X |
| 66,7/15159 | 84,5 | 2,77 | X | X | X | X | X |
| 86,7/19705 | 101,8 | 3,46 | X | X | X | X | X |
| 160,0/36364 | 227,1 | 8,13 | X | X | X | X | X |
| 250,0/56818 | 334,3 | 10,82 | | X | X | | X |
| 425,0/96591 | 493,0 | 20,10 | | X | X | | X |
| 530,0/120454 | 609,5 | 24,92 | | X | X | | X |
| 670,0/152273 | 770,5 | 31,56 | | X | X | | X |
| 950,0/215909 | 1092,5 | 48,10 | | X | X | | X |
| 1500,0/340909 | 1710,0 | 75,00 | | X | X | | X |
| 2240,0/545450 | 2464,0 | 107,18 | | X | X | | X |
| 3000,0/681820 | 3300,0 | 136,00 | | X | X | | X |
| 3750,0/852270 | 4125,0 | 180,00 | | X | X | | X |



Donghua CP roller chains are built with hard chromized pins. The surface hardness is more than 1100 HV10 offering a +30% higher wear resistance than standard case hardened pins. Donghua CP roller chain are used for tough environments, high speed, high frequency of movement in the bearing area resisting wear much better than case hardened pins. In combination with highly sophisticated lubricant this technology brings a unique performance in wear resistance. All Donghua roller chains are: Pre-loaded, Fatigue resistant, Wear resistant and Pre-lubricated. Donghua simplex, duplex and triplex roller chains are manufactured according to ISO 606 DIN8187, standard pre-loaded, pre-lubricated, do have seamless rollers and are marked with production batch code number for complete traceability. All Donghua roller chains are sealed in plastic bags and packed in cardboard boxes with clear ISO 606 DIN descriptions and safety instructions. Standard packaging size is 5 meter box, reels are available on request. Cut to length service is available on request. Several test certificates like breaking load, length tolerance and material analyses are possible and available on request. Rollers chains which are needed for 'run as pairs' applications can be matched as pairs on request. DIN, 1/2DIN and 1/3DIN length tolerance are possible, please ask us for a quotation. For high temperature, low temperature, food application or special environments different kind of special lubricants are available. Please ask our sales team for any special needs. For drive chain calculation and right dimension check, please contact our engineering department, also see drive chain calculation data sheet on page 301. By filling this data sheet and sending this to our engineering department you will receive a detailed drive chain calculation including life time expectation. Sprockets are available for all roller chains, with pilot bore, fixed bore, keyway, setscrew or bearing bore with grooves. Standard toothing, hardened toothing or special toothing are possible with pilot bore, fixed bore or taper bush. Chain tools, tensioners and chain lubricants please see page 302-310.

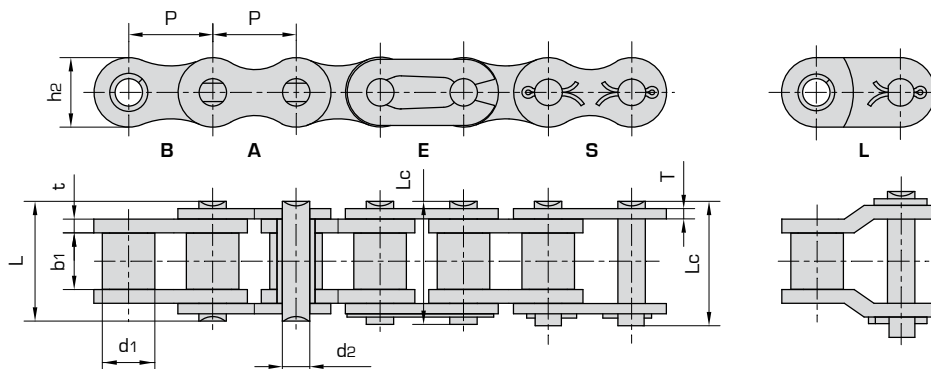
Short pitch precision roller chains (A series)

CP Hard Chromized Pins

Simplex roller chains & bush chains

| Part nr. | DIN/ISO 606 Chain no. | ANSI Chain no. | Pitch | Roller diameter | Width between inner plates | Pin diameter | Pin length | | Inner plate depth | Plate thickness |
|------------|-----------------------|----------------|--------|-----------------|----------------------------|--------------|------------|--------|-------------------|-----------------|
| | | | | d1 max | b1 min | d2 max | L max | Lc max | h2 max | T max |
| | | | | mm | mm | mm | mm | mm | mm | mm |
| 10025-1CP | *04C-1 | *25 | 6,3500 | 3,30 | 3,18 | 2,31 | 7,90 | 8,40 | 6,00 | 0,80 |
| 10035-1CP | *06C-1 | *35 | 9,525 | 5,08 | 4,77 | 3,58 | 12,40 | 13,17 | 9,00 | 1,30 |
| 10041-1CP | 085-1 | 41 | 12,700 | 7,77 | 6,25 | 3,58 | 13,75 | 15,00 | 9,91 | 1,30 |
| 10040-1CP | 08A-1 | 40 | 12,700 | 7,95 | 7,85 | 3,96 | 16,60 | 17,80 | 12,00 | 1,50 |
| 10050-1CP | 10A-1 | 50 | 15,875 | 10,16 | 9,40 | 5,08 | 20,70 | 22,20 | 15,09 | 2,03 |
| 10060-1CP | 12A-1 | 60 | 19,050 | 11,91 | 12,57 | 5,94 | 25,90 | 27,70 | 18,00 | 2,42 |
| 10080-1CP | 16A-1 | 80 | 25,400 | 15,88 | 15,75 | 7,92 | 32,70 | 35,00 | 24,00 | 3,25 |
| 100100-1CP | 20A-1 | 100 | 31,750 | 19,05 | 18,90 | 9,53 | 40,40 | 44,70 | 30,00 | 4,00 |
| 100120-1CP | 24A-1 | 120 | 38,100 | 22,23 | 25,22 | 11,10 | 50,30 | 54,30 | 35,70 | 4,80 |
| 100140-1CP | 28A-1 | 140 | 44,450 | 25,40 | 25,22 | 12,70 | 54,40 | 59,00 | 41,00 | 5,60 |
| 100160-1CP | 32A-1 | 160 | 50,800 | 28,58 | 31,55 | 14,27 | 64,80 | 69,60 | 47,80 | 6,40 |
| 100180-1CP | 36A-1 | 180 | 57,150 | 35,71 | 35,48 | 17,46 | 72,80 | 78,60 | 53,60 | 7,20 |
| 100200-1CP | 40A-1 | 200 | 63,500 | 39,68 | 37,85 | 19,85 | 80,30 | 87,20 | 60,00 | 8,00 |
| 100240-1CP | 48A-1 | 240 | 76,200 | 47,63 | 47,35 | 23,81 | 95,50 | 103,00 | 72,39 | 9,50 |

* Bush chain: d1 in the table indicates the external diameter of the bush.



| Ultimate tensile strength | Average tensile strength | Weight per meter | Available chain parts | | | | | |
|---------------------------|--------------------------|------------------|-----------------------|---|---|---|---|---|
| Q min | Q0 | q | E | S | L | C | A | B |
| kN/lbf | kN | kg/m | | | | | | |
| 3,50/795 | 5,0 | 0,15 | X | | | X | X | X |
| 7,90/1795 | 11,3 | 0,33 | X | | X | X | X | X |
| 6,67/1516 | 18,6 | 0,41 | X | | X | X | X | X |
| 14,10/3205 | 31,3 | 0,62 | X | | X | X | X | X |
| 22,20/5045 | 43,2 | 1,02 | X | | X | X | X | X |
| 31,80/7227 | 74,3 | 1,50 | X | | X | X | X | X |
| 56,70/12886 | 107,6 | 2,60 | X | | X | X | X | X |
| 88,50/20114 | 163,1 | 3,91 | | X | X | | X | X |
| 127,00/28864 | 222,5 | 5,62 | | X | X | | X | X |
| 172,40/39182 | 266,9 | 7,50 | | X | X | | X | X |
| 226,80/51545 | 361,1 | 10,10 | | X | X | | X | X |
| 280,20/63682 | 466,8 | 13,45 | | X | X | | X | X |
| 353,80/80409 | 671,6 | 16,15 | | X | X | | X | X |
| 510,30/115977 | 622,5 | 23,20 | | X | X | | X | X |



Donghua CP roller chains are built with hard chromized pins. The surface hardness is more than 1100 HV10 offering a +30% higher wear resistance than standard case hardened pins. Donghua CP roller chain are used for tough environments, high speed, high frequency of movement in the bearing area resisting wear much better than case hardened pins. In combination with highly sophisticated lubricant this technology brings a unique performance in wear resistance. All Donghua roller chains are: Pre-loaded, Fatigue resistant, Wear resistant and Pre-lubricated. Donghua simplex, duplex and triplex roller chains are manufactured according to ISO 606 DIN8187, standard pre-loaded, pre-lubricated, do have seamless rollers and are marked with production batch code number for complete traceability. All Donghua roller chains are sealed in plastic bags and packed in cardboard boxes with clear ISO 606 DIN descriptions and safety instructions. Standard packaging size is 5 meter box, reels are available on request. Cut to length service is available on request. Several test certificates like breaking load, length tolerance and material analyses are possible and available on request. Rollers chains which are needed for 'run as pairs' applications can be matched as pairs on request. DIN, 1/2DIN and 1/3DIN length tolerance are possible, please ask us for a quotation. For high temperature, low temperature, food application or special environments different kind of special lubricants are available. Please ask our sales team for any special needs. For drive chain calculation and right dimension check, please contact our engineering department, also see drive chain calculation data sheet on page 301. By filling this data sheet and sending this to our engineering department you will receive a detailed drive chain calculation including life time expectation. Sprockets are available for all roller chains, with pilot bore, fixed bore, keyway, setscrew or bearing bore with grooves. Standard toothing, hardened toothing or special toothing are possible with pilot bore, fixed bore or taper bush. Chain tools, tensioners and chain lubricants please see page 302-310.

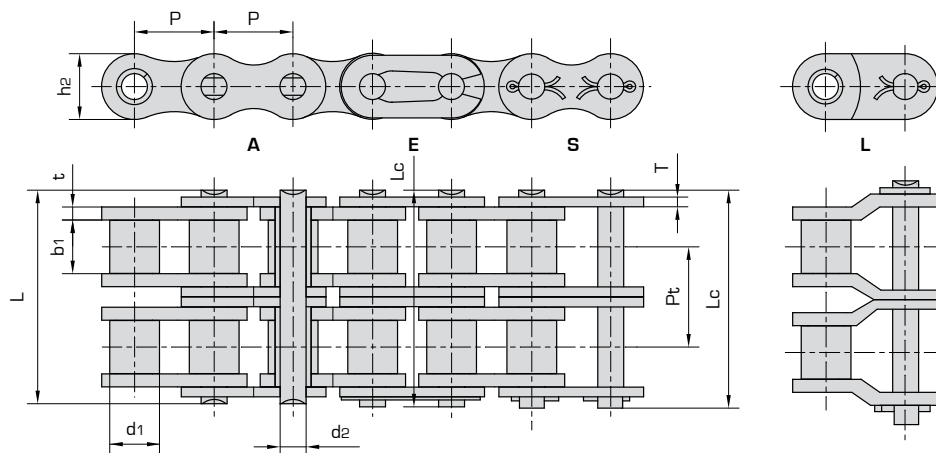
Short pitch precision roller chains (A series)

CP Hard Chromized Pins

Duplex roller chains & bush chains

| Part nr. | DIN/ISO 606 Chain no. | ANSI Chain no. | Pitch | Roller diameter | | Pin diameter | | Pin length | | Inner plate depth | Plate thickness | Transverse pitch | |
|------------|-----------------------|----------------|--------|-----------------|--------|--------------|-------|------------|--------|-------------------|-----------------|------------------|-------|
| | | | | d1 max | b1 min | d2 max | L max | Lc max | h2 max | | | | T max |
| | | | | mm | mm | mm | mm | mm | mm | | | | mm |
| 10025-2CP | *04C-2 | *25-2 | 6,350 | 3,30 | 3,18 | 2,31 | 14,5 | 15,0 | 6,00 | 0,80 | 6,40 | | |
| 10035-2CP | *06C-2 | *35-2 | 9,525 | 5,08 | 4,77 | 3,58 | 22,5 | 23,3 | 9,00 | 1,30 | 10,13 | | |
| 10041-2CP | 085-2 | 41-2 | 12,700 | 7,77 | 6,25 | 3,58 | 25,7 | 26,9 | 9,91 | 1,30 | 11,95 | | |
| 10040-2CP | 08A-2 | 40-2 | 12,700 | 7,95 | 7,85 | 3,96 | 31,0 | 32,2 | 12,00 | 1,50 | 14,38 | | |
| 10050-2CP | 10A-2 | 50-2 | 15,875 | 10,16 | 9,40 | 5,08 | 38,9 | 40,4 | 15,09 | 2,03 | 18,11 | | |
| 10060-2CP | 12A-2 | 60-2 | 19,050 | 11,91 | 12,57 | 5,94 | 48,8 | 50,5 | 18,00 | 2,42 | 22,78 | | |
| 10080-2CP | 16A-2 | 80-2 | 25,400 | 15,88 | 15,75 | 7,92 | 62,7 | 64,3 | 24,00 | 3,25 | 29,29 | | |
| 100100-2CP | 20A-2 | 100-2 | 31,750 | 19,05 | 18,90 | 9,53 | 76,4 | 80,5 | 30,00 | 4,00 | 35,76 | | |
| 100120-2CP | 24A-2 | 120-2 | 38,100 | 22,23 | 25,22 | 11,10 | 95,8 | 99,7 | 35,70 | 4,80 | 45,44 | | |
| 100140-2CP | 28A-2 | 140-2 | 44,450 | 25,40 | 25,22 | 12,70 | 103,3 | 107,9 | 41,00 | 5,60 | 48,87 | | |
| 100160-2CP | 32A-2 | 160-2 | 50,800 | 28,58 | 31,55 | 14,27 | 123,3 | 128,1 | 47,80 | 6,40 | 58,55 | | |
| 100180-2CP | 36A-2 | 180-2 | 57,150 | 35,71 | 35,48 | 17,46 | 138,6 | 144,4 | 53,60 | 7,20 | 65,84 | | |
| 100200-2CP | 40A-2 | 200-2 | 63,500 | 39,68 | 37,85 | 19,85 | 151,9 | 158,8 | 60,00 | 8,00 | 71,55 | | |
| 100240-2CP | 48A-2 | 240-2 | 76,200 | 47,63 | 47,35 | 23,81 | 183,4 | 190,8 | 72,39 | 9,50 | 87,83 | | |

* Bush chain: d1 in the table indicates the external diameter of the bush.



| Ultimate tensile strength | Average tensile strength | Weight per meter | Available chain parts | | | | |
|---------------------------|--------------------------|------------------|-----------------------|---|---|---|---|
| Q min | Q0 | q | E | S | L | C | A |
| kN/lbf | kN | kg/m | | | | | |
| 7,00/1591 | 10,0 | 0,28 | X | | | X | X |
| 15,80/3591 | 22,3 | 0,63 | X | | | X | X |
| 13,34/3032 | 37,2 | 0,81 | X | | X | X | X |
| 28,20/6409 | 62,6 | 1,12 | X | | X | X | X |
| 44,40/10091 | 86,4 | 2,00 | X | | X | X | X |
| 63,60/14455 | 148,6 | 2,92 | X | | X | X | X |
| 113,40/25773 | 215,2 | 5,15 | X | | X | X | X |
| 177,00/40227 | 326,2 | 7,80 | | X | X | | X |
| 254,00/57727 | 445,0 | 11,70 | | X | X | | X |
| 344,80/78364 | 533,8 | 15,14 | | X | X | | X |
| 453,60/103091 | 722,2 | 20,14 | | X | X | | X |
| 560,50/127386 | 933,6 | 29,22 | | X | X | | X |
| 707,60/160818 | 1343,2 | 32,24 | | X | X | | X |
| 1020,60/213955 | 1255,3 | 45,23 | | X | X | | X |

E



S



L



C



A



Donghua CP roller chains are built with hard chromized pins. The surface hardness is more than 1100 HV10 offering a +30% higher wear resistance than standard case hardened pins. Donghua CP roller chain are used for tough environments, high speed, high frequency of movement in the bearing area resisting wear much better than case hardened pins. In combination with highly sophisticated lubricant this technology brings a unique performance in wear resistance. All Donghua roller chains are: Pre-loaded, Fatigue resistant, Wear resistant and Pre-lubricated. Donghua simplex, duplex and triplex roller chains are manufactured according to ISO 606 DIN8187, standard pre-loaded, pre-lubricated, do have seamless rollers and are marked with production batch code number for complete traceability. All Donghua roller chains are sealed in plastic bags and packed in cardboard boxes with clear ISO 606 DIN descriptions and safety instructions. Standard packaging size is 5 meter box, reels are available on request. Cut to length service is available on request. Several test certificates like breaking load, length tolerance and material analyses are possible and available on request. Rollers chains which are needed for 'run as pairs' applications can be matched as pairs on request. DIN, 1/2DIN and 1/3DIN length tolerance are possible, please ask us for a quotation. For high temperature, low temperature, food application or special environments different kind of special lubricants are available. Please ask our sales team for any special needs. For drive chain calculation and right dimension check, please contact our engineering department, also see drive chain calculation data sheet on page 301. By filling this data sheet and sending this to our engineering department you will receive a detailed drive chain calculation including life time expectation. Sprockets are available for all roller chains, with pilot bore, fixed bore, keyway, setscrew or bearing bore with grooves. Standard toothing, hardened toothing or special toothing are possible with pilot bore, fixed bore or taper bush. Chain tools, tensioners and chain lubricants please see page 302-310.

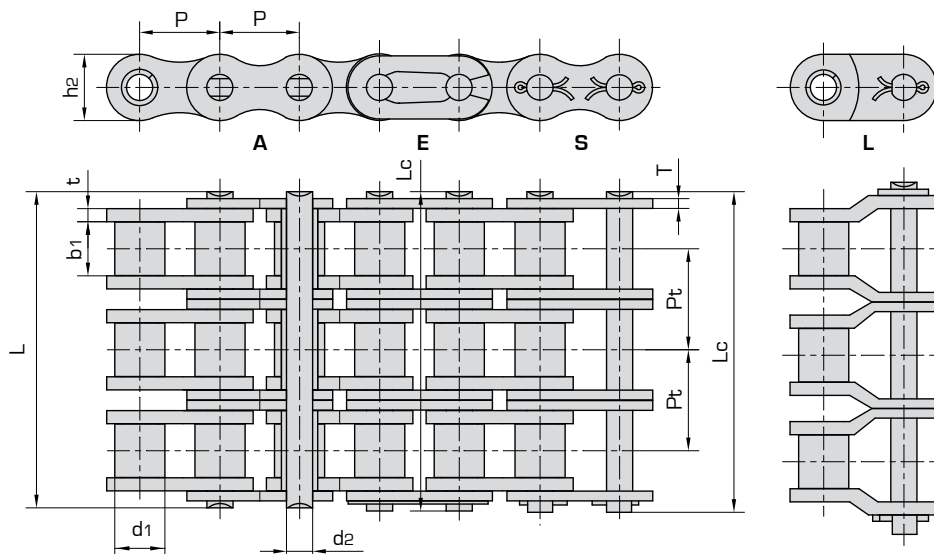
Short pitch precision roller chains (A series)

CP Hard Chromized Pins

Triplex roller chains & bush chains

| Part nr. | DIN/ISO 606 Chain no. | ANSI Chain no. | Pitch | Roller diameter | Width between inner plates | Pin diameter | Pin length | | Inner plate depth | Plate thickness | Transverse pitch |
|------------|-----------------------|----------------|--------|-----------------|----------------------------|--------------|------------|--------|-------------------|-----------------|------------------|
| | | | | d1 max | b1 min | d2 max | L max | Lc max | h2 max | T max | |
| | | | | mm | mm | mm | mm | mm | mm | mm | |
| 10025-3CP | *04C-3 | *25-3 | 6,350 | 3,30 | 3,18 | 2,31 | 21,0 | 21,5 | 6,00 | 0,80 | 6,40 |
| 10035-3CP | *06C-3 | *35-3 | 9,525 | 5,08 | 4,77 | 3,58 | 32,7 | 33,5 | 9,00 | 1,30 | 10,13 |
| 10040-3CP | 08A-3 | 40-3 | 12,700 | 7,95 | 7,85 | 3,96 | 45,4 | 46,6 | 12,00 | 1,50 | 14,38 |
| 10050-3CP | 10A-3 | 50-3 | 15,875 | 10,16 | 9,40 | 5,08 | 57,0 | 58,5 | 15,09 | 2,03 | 18,11 |
| 10060-3CP | 12A-3 | 60-3 | 19,050 | 11,91 | 12,57 | 5,94 | 71,5 | 73,3 | 18,00 | 2,42 | 22,78 |
| 10080-3CP | 16A-3 | 80-3 | 25,400 | 15,88 | 15,75 | 7,92 | 91,7 | 93,6 | 24,00 | 3,25 | 29,29 |
| 100100-3CP | 20A-3 | 100-3 | 31,750 | 19,05 | 18,90 | 9,53 | 112,2 | 116,3 | 30,00 | 4,00 | 35,76 |
| 100120-3CP | 24A-3 | 120-3 | 38,100 | 22,23 | 25,22 | 11,10 | 141,4 | 145,2 | 35,70 | 4,80 | 45,44 |
| 100140-3CP | 28A-3 | 140-3 | 44,450 | 25,40 | 25,22 | 12,70 | 152,2 | 156,8 | 41,00 | 5,60 | 48,87 |
| 100160-3CP | 32A-3 | 160-3 | 50,800 | 28,58 | 31,55 | 14,27 | 181,8 | 186,6 | 47,80 | 6,40 | 58,55 |
| 100180-3CP | 36A-3 | 180-3 | 57,150 | 35,71 | 35,48 | 17,46 | 204,4 | 210,2 | 53,60 | 7,20 | 65,84 |
| 100200-3CP | 40A-3 | 200-3 | 63,500 | 39,68 | 37,85 | 19,85 | 223,5 | 230,4 | 60,00 | 8,00 | 71,55 |
| 100240-3CP | 48A-3 | 240-3 | 76,200 | 47,63 | 47,35 | 23,81 | 271,3 | 278,6 | 72,39 | 9,50 | 87,83 |

* Bush chain: d1 in the table indicates the external diameter of the bush.



| Ultimate tensile strength | Average tensile strength | Weight per meter | Available chain parts | | | | |
|---------------------------|--------------------------|------------------|-----------------------|---|---|---|---|
| Q min | Q0 | q | E | S | L | C | A |
| kN/lbf | kN | kg/m | | | | | |
| 10,5/2386 | 15,0 | 0,44 | X | | | X | X |
| 23,7/5386 | 33,9 | 1,05 | X | | | X | X |
| 42,3/9614 | 55,8 | 1,90 | X | | X | | X |
| 66,6/15136 | 93,9 | 3,09 | X | | X | | X |
| 95,4/21682 | 129,6 | 4,54 | X | | X | | X |
| 170,1/38659 | 222,9 | 7,89 | X | | X | | X |
| 265,5/60341 | 322,8 | 11,77 | | X | X | | X |
| 381,0/86591 | 489,3 | 17,53 | | X | X | | X |
| 517,2/117545 | 667,5 | 22,20 | | X | X | | X |
| 680,4/154636 | 800,7 | 30,02 | | X | X | | X |
| 840,7/191068 | 1083,3 | 38,22 | | X | X | | X |
| 1061,4/241227 | 1400,4 | 49,03 | | X | X | | X |
| 1530,9/347932 | 2014,8 | 71,60 | | X | X | | X |



Donghua CP roller chains are built with hard chromized pins. The surface hardness is more than 1100 HV10 offering a +30% higher wear resistance than standard case hardened pins. Donghua CP roller chain are used for tough environments, high speed, high frequency of movement in the bearing area resisting wear much better than case hardened pins. In combination with highly sophisticated lubricant this technology brings a unique performance in wear resistance. All Donghua roller chains are: Pre-loaded, Fatigue resistant, Wear resistant and Pre-lubricated. Donghua simplex, duplex and triplex roller chains are manufactured according to ISO 606 DIN8187, standard pre-loaded, pre-lubricated, do have seamless rollers and are marked with production batch code number for complete traceability. All Donghua roller chains are sealed in plastic bags and packed in cardboard boxes with clear ISO 606 DIN descriptions and safety instructions. Standard packaging size is 5 meter box, reels are available on request. Cut to length service is available on request. Several test certificates like breaking load, length tolerance and material analyses are possible and available on request. Rollers chains which are needed for 'run as pairs' applications can be matched as pairs on request. DIN, 1/2DIN and 1/3DIN length tolerance are possible, please ask us for a quotation. For high temperature, low temperature, food application or special environments different kind of special lubricants are available. Please ask our sales team for any special needs. For drive chain calculation and right dimension check, please contact our engineering department, also see drive chain calculation data sheet on page 301. By filling this data sheet and sending this to our engineering department you will receive a detailed drive chain calculation including life time expectation. Sprockets are available for all roller chains, with pilot bore, fixed bore, keyway, setscrew or bearing bore with grooves. Standard toothing, hardened toothing or special toothing are possible with pilot bore, fixed bore or taper bush. Chain tools, tensioners and chain lubricants please see page 302-310.

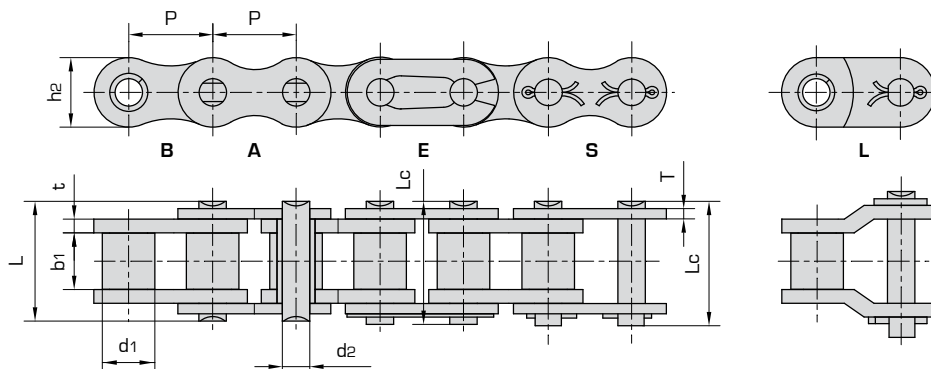
Short pitch precision roller chains (B series)

SLR (Self Lubricating Roller Chain)

Simplex roller chains

| Part nr. | DIN/ISO 606 Chain no. | Pitch | Roller diameter | Width between inner plates | Pin diameter | Pin length | Inner plate depth | Plate thickness | |
|-------------|-----------------------|--------|-----------------|----------------------------|--------------|------------|-------------------|-----------------|----------|
| | | P | d1 max | b1 min | d2 max | L max | Lc max | h2 max | T max |
| | | mm | mm | mm | mm | mm | mm | mm | mm |
| 14006B-1SLR | *06B-1SLR | 9,525 | 6,35 | 5,72 | 3,28 | 13,15 | 14,1 | 8,20 | 1,30 |
| 14008B-1SLR | 08B-1SLR | 12,700 | 8,51 | 7,75 | 4,45 | 16,70 | 18,2 | 11,80 | 1,60 |
| 14010B-1SLR | 10B-1SLR | 15,875 | 10,16 | 9,65 | 5,08 | 19,50 | 20,9 | 14,70 | 1,70 |
| 14012B-1SLR | 12B-1SLR | 19,050 | 12,07 | 11,68 | 5,72 | 22,50 | 24,2 | 16,00 | 1,85 |
| 14016B-1SLR | 16B-1SLR | 25,400 | 15,88 | 17,02 | 8,28 | 36,10 | 37,4 | 21,00 | 4,15/3,1 |
| 14020B-1SLR | 20B-1SLR | 31,750 | 19,05 | 19,56 | 10,19 | 41,30 | 45,0 | 26,40 | 4,50/3,5 |
| 14024B-1SLR | 24B-1SLR | 38,100 | 25,40 | 25,40 | 14,63 | 53,40 | 57,8 | 33,20 | 6,00/4,8 |

* Straight side plates



| Ultimate tensile strength | Average tensile strength | Weight per meter | Available chain parts | | | | | |
|---------------------------|--------------------------|------------------|-----------------------|---|---|---|---|---|
| Q min | Q0 | q | E | S | L | C | A | B |
| kN/lbf | kN | kg/m | | | | | | |
| 9,0/2045 | 10,4 | 0,41 | X | | X | X | X | X |
| 18,0/4091 | 19,4 | 0,69 | X | X | X | X | X | X |
| 22,4/5091 | 27,5 | 0,93 | X | X | X | X | X | X |
| 29,0/6591 | 32,2 | 1,15 | X | X | X | X | X | X |
| 60,0/13636 | 72,8 | 2,71 | X | X | X | X | X | X |
| 95,0/21591 | 106,7 | 3,70 | X | X | X | | X | X |
| 160,0/36364 | 178,0 | 7,10 | | X | X | | X | X |



Solution range



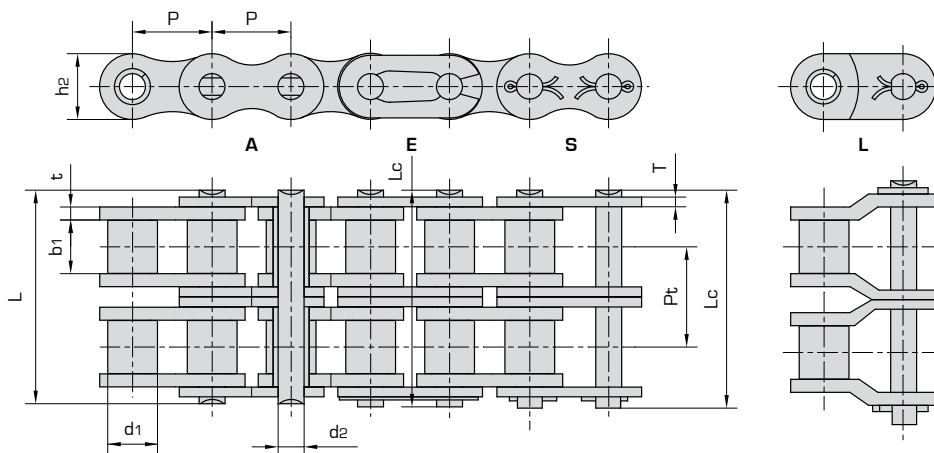
All Donghua SLR roller chains are made with Chemical Nickel Plated Pins and Hardened Sinter Steel Bushes. These components are self-lubricating. All other parts are Nickel Plated and protected against rust. Donghua SLR roller chains are used in applications where maintenance is not possible. Re-lubrication is not needed and not recommended. The outside of these SLR Roller Chains is dry. All Donghua roller chains are: Pre-loaded, Fatigue resistant, Wear resistant and Pre-lubricated. Donghua simplex, duplex and triplex roller chains are manufactured according to ISO 606 DIN8187, standard pre-loaded, pre-lubricated, do have seamless rollers and are marked with production batch code number for complete traceability. All Donghua roller chains are sealed in plastic bags and packed in cardboard boxes with clear ISO 606 DIN descriptions and safety instructions. Standard packaging size is 5 meter box, reels are available on request. Cut to length service is available on request. Several test certificates like breaking load, length tolerance and material analyses are possible and available on request. Rollers chains which are needed for 'run as pairs' applications can be matched as pairs on request. DIN, 1/2DIN and 1/3DIN length tolerance are possible, please ask us for a quotation. For high temperature, low temperature, food application or special environments different kind of special lubricants are available. Please ask our sales team for any special needs.

Short pitch precision roller chains (B series) SLR (Self Lubricating Roller Chain)

Duplex roller chains

| Part nr. | DIN/ISO 606 Chain no. | Pitch | Roller diameter | Width between inner plates | Pin diameter | Pin length | Inner plate depth | Plate thickness | Transverse pitch | |
|-------------|-----------------------|--------|-----------------|----------------------------|--------------|------------|-------------------|-----------------|------------------|-------|
| | | P | d1 max | b1 min | d2 max | L max | Lc max | h2 max | T max | |
| | | mm | mm | mm | mm | mm | mm | mm | mm | |
| 14006B-2SLR | *06B-2SLR | 9,525 | 6,35 | 5,72 | 3,28 | 23,4 | 24,4 | 8,20 | 1,30 | 10,24 |
| 14008B-2SLR | 08B-2SLR | 12,700 | 8,51 | 7,75 | 4,45 | 31,0 | 32,2 | 11,80 | 1,60 | 13,92 |
| 14010B-2SLR | 10B-2SLR | 15,875 | 10,16 | 9,65 | 5,08 | 36,1 | 37,5 | 14,70 | 1,70 | 16,59 |
| 14012B-2SLR | 12B-2SLR | 19,050 | 12,07 | 11,68 | 5,72 | 42,0 | 43,6 | 16,00 | 1,85 | 19,46 |
| 14016B-2SLR | 16B-2SLR | 25,400 | 15,88 | 17,02 | 8,28 | 68,0 | 69,3 | 21,00 | 4,15/3,1 | 31,88 |
| 14020B-2SLR | 20B-2SLR | 31,750 | 19,05 | 19,56 | 10,19 | 77,8 | 81,5 | 26,40 | 4,50/3,5 | 36,45 |
| 14024B-2SLR | 24B-2SLR | 38,100 | 25,40 | 25,40 | 14,63 | 101,7 | 106,2 | 33,20 | 6,00/4,8 | 48,36 |

* Straight side plates



| Ultimate tensile strength | Average tensile strength | Weight per meter | Available chain parts | | | | |
|---------------------------|--------------------------|------------------|-----------------------|---|---|---|---|
| Q min | Q0 | q | E | S | L | C | A |
| kN/lbf | kN | kg/m | | | | | |
| 16,9/3841 | 18,7 | 0,77 | X | | X | X | X |
| 32,0/7273 | 38,7 | 1,34 | X | X | X | X | X |
| 44,5/10114 | 56,2 | 1,84 | X | X | X | X | X |
| 57,8/13136 | 66,1 | 2,31 | X | X | X | X | X |
| 106,0/24091 | 133,0 | 5,42 | X | X | X | X | X |
| 170,0/38636 | 211,2 | 7,20 | | X | X | | X |
| 280,0/63636 | 319,2 | 13,40 | | X | X | | X |



Solution range



All Donghua SLR roller chains are made with Chemical Nickel Plated Pins and Hardened Sinter Steel Bushes. These components are self-lubricating. All other parts are Nickel Plated and protected against rust. Donghua SLR roller chains are used in applications where maintenance is not possible. Re-lubrication is not needed and not recommended. The outside of these SLR Roller Chains is dry. All Donghua roller chains are: Pre-loaded, Fatigue resistant, Wear resistant and Pre-lubricated. Donghua simplex, duplex and triplex roller chains are manufactured according to ISO 606 DIN8187, standard pre-loaded, pre-lubricated, do have seamless rollers and are marked with production batch code number for complete traceability. All Donghua roller chains are sealed in plastic bags and packed in cardboard boxes with clear ISO 606 DIN descriptions and safety instructions. Standard packaging size is 5 meter box, reels are available on request. Cut to length service is available on request. Several test certificates like breaking load, length tolerance and material analyses are possible and available on request. Rollers chains which are needed for 'run as pairs' applications can be matched as pairs on request. DIN, 1/2DIN and 1/3DIN length tolerance are possible, please ask us for a quotation. For high temperature, low temperature, food application or special environments different kind of special lubricants are available. Please ask our sales team for any special needs.

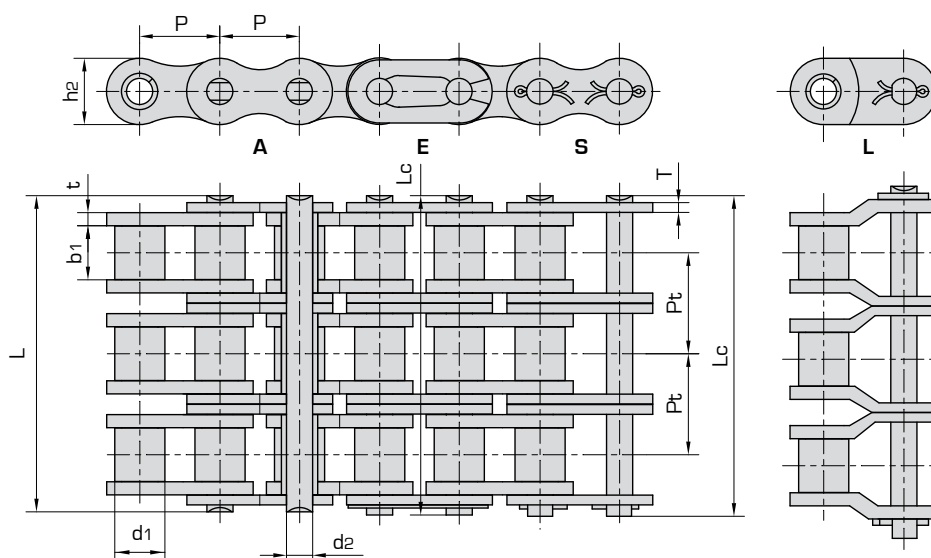
Short pitch precision roller chains (B series)

SLR (Self Lubricating Roller Chain)

Triplex roller chains

| Part nr. | DIN/ISO 606 Chain no. | Pitch | Roller diameter | Width between inner plates | Pin diameter | Pin length | Inner plate depth | Plate thickness | Transverse pitch | |
|-------------|-----------------------|--------|-----------------|----------------------------|--------------|------------|-------------------|-----------------|------------------|-------|
| | | P | d1 max | b1 min | d2 max | L max | Lc max | h2 max | T max | |
| | | mm | mm | mm | mm | mm | mm | mm | mm | |
| 14006B-3SLR | *06B-3SLR | 9,525 | 6,35 | 5,72 | 3,28 | 33,5 | 34,6 | 8,20 | 1,30 | 10,24 |
| 14008B-3SLR | 08B-3SLR | 12,700 | 8,51 | 7,75 | 4,45 | 45,1 | 46,1 | 11,80 | 1,60 | 13,92 |
| 14010B-3SLR | 10B-3SLR | 15,875 | 10,16 | 9,65 | 5,08 | 52,7 | 54,1 | 14,70 | 1,70 | 16,59 |
| 14012B-3SLR | 12B-3SLR | 19,050 | 12,07 | 11,68 | 5,72 | 61,5 | 63,1 | 16,00 | 1,85 | 19,46 |
| 14016B-3SLR | 16B-3SLR | 25,400 | 15,88 | 17,02 | 8,28 | 99,8 | 101,2 | 21,00 | 4,15/3,1 | 31,88 |
| 14020B-3SLR | 20B-3SLR | 31,750 | 19,05 | 19,56 | 10,19 | 114,2 | 117,9 | 26,40 | 4,50/3,5 | 36,45 |
| 14024B-3SLR | 24B-3SLR | 38,100 | 25,40 | 25,40 | 14,63 | 150,1 | 154,6 | 33,20 | 6,00/4,8 | 48,36 |

* Straight side plates



| Ultimate tensile strength | Average tensile strength | Weight per meter | Available chain parts | | | | |
|---------------------------|--------------------------|------------------|-----------------------|---|---|---|---|
| Q min | Q0 | q | E | S | L | C | A |
| kN/lbf | kN | kg/m | | | | | |
| 24,9/5659 | 30,1 | 1,16 | X | | X | X | X |
| 47,5/10795 | 57,8 | 2,03 | X | X | X | X | X |
| 66,7/15159 | 84,5 | 2,77 | X | X | X | X | X |
| 86,7/19705 | 101,8 | 3,46 | X | X | X | X | X |
| 160,0/36364 | 203,7 | 8,13 | X | X | X | X | X |
| 250,0/56818 | 290,0 | 10,82 | | X | X | | X |
| 425,0/96591 | 493,0 | 20,10 | | X | X | | X |



Solution range



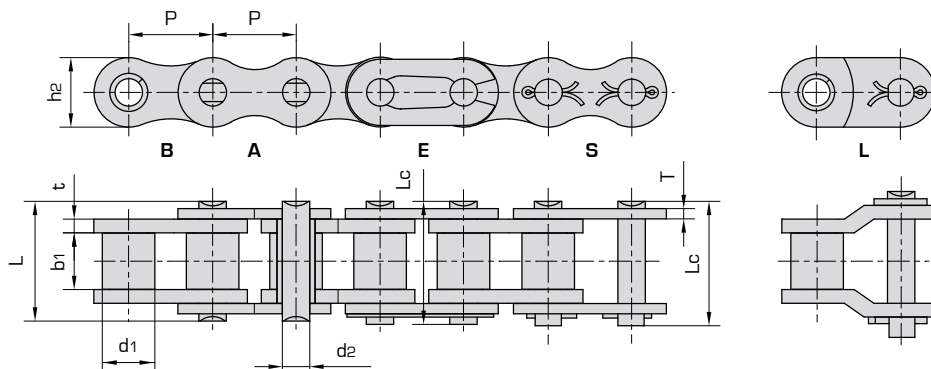
All Donghua SLR roller chains are made with Chemical Nickel Plated Pins and Hardened Sinter Steel Bushes. These components are self-lubricating. All other parts are Nickel Plated and protected against rust. Donghua SLR roller chains are used in applications where maintenance is not possible. Re-lubrication is not needed and not recommended. The outside of these SLR Roller Chains is dry. All Donghua roller chains are: Pre-loaded, Fatigue resistant, Wear resistant and Pre-lubricated. Donghua simplex, duplex and triplex roller chains are manufactured according to ISO 606 DIN8187, standard pre-loaded, pre-lubricated, do have seamless rollers and are marked with production batch code number for complete traceability. All Donghua roller chains are sealed in plastic bags and packed in cardboard boxes with clear ISO 606 DIN descriptions and safety instructions. Standard packaging size is 5 meter box, reels are available on request. Cut to length service is available on request. Several test certificates like breaking load, length tolerance and material analyses are possible and available on request. Rollers chains which are needed for 'run as pairs' applications can be matched as pairs on request. DIN, 1/2DIN and 1/3DIN length tolerance are possible, please ask us for a quotation. For high temperature, low temperature, food application or special environments different kind of special lubricants are available. Please ask our sales team for any special needs.

Short pitch precision roller chains (A series) SLR (Self Lubricating Roller Chain)

Simplex roller chains & bush chains

| Part nr. | DIN/ISO 606 Chain no. | ANSI Chain no. | Pitch | Roller diameter | Width between inner plates | Pin diameter | Pin length | | Inner plate depth | Plate thickness | Transverse pitch |
|-------------|--------------------------|-------------------|--------|--------------------|-------------------------------------|-----------------|------------|--------|-------------------------|--------------------|---------------------|
| | | | | d1 max | b1 min | d2 max | L max | Lc max | h2 max | T max | |
| | | | | mm | mm | mm | mm | mm | mm | mm | |
| 14035-1SLR | *06C-1 | *35 | 9,525 | 5,08 | 4,77 | 3,58 | 12,40 | 13,17 | 9,00 | 1,30 | |
| 14040-1SLR | 08A-1 | 40 | 12,700 | 7,95 | 7,85 | 3,96 | 16,60 | 17,80 | 12,00 | 1,50 | |
| 14050-1SLR | 10A-1 | 50 | 15,875 | 10,16 | 9,40 | 5,08 | 20,70 | 22,20 | 15,09 | 2,03 | |
| 14060-1SLR | 12A-1 | 60 | 19,050 | 11,91 | 12,57 | 5,94 | 25,90 | 27,70 | 18,00 | 2,42 | |
| 14080-1SLR | 16A-1 | 80 | 25,400 | 15,88 | 15,75 | 7,92 | 32,70 | 35,00 | 24,00 | 3,25 | |
| 140100-1SLR | 20A-1 | 100 | 31,750 | 19,05 | 18,90 | 9,53 | 40,40 | 44,70 | 30,00 | 4,00 | |
| 140120-1SLR | 24A-1 | 120 | 38,100 | 22,23 | 25,22 | 11,10 | 50,30 | 54,30 | 35,70 | 4,80 | |

* Bush chain: d1 in the table indicates the external diameter of the bush.



| Ultimate tensile strength | Average tensile strength | Weight per meter | Available chain parts | | | | | |
|---------------------------|--------------------------|------------------|-----------------------|---|---|---|---|---|
| Q min | Q0 | q | E | S | L | C | A | B |
| kN/lbf | kN | kg/m | | | | | | |
| 7,90/1795 | 10,8 | 0,33 | X | | X | X | X | X |
| 14,10/3205 | 17,5 | 0,62 | X | | X | X | X | X |
| 22,20/5045 | 29,4 | 1,02 | X | | X | X | X | X |
| 31,80/7227 | 41,5 | 1,50 | X | | X | X | X | X |
| 56,70/12886 | 69,4 | 2,60 | X | | X | X | X | X |
| 88,50/20114 | 109,2 | 3,91 | | X | X | | X | X |
| 127,00/28864 | 156,3 | 5,62 | | X | X | | X | X |



Solution range



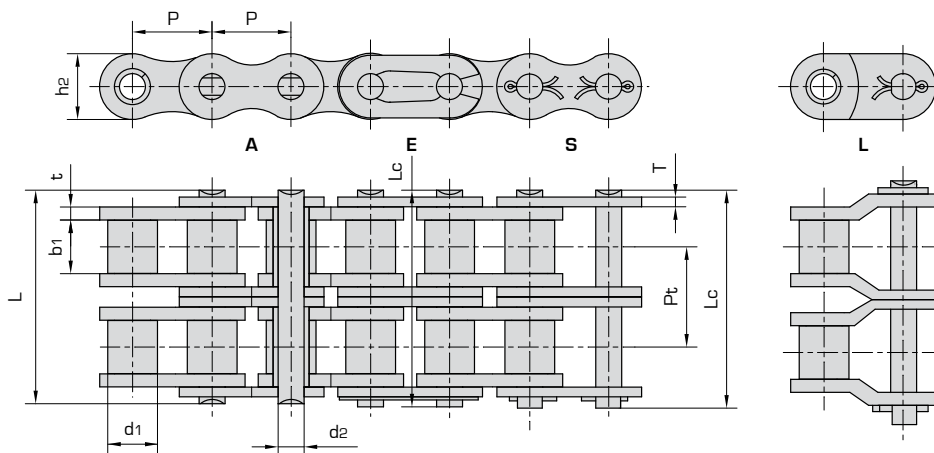
All Donghua SLR roller chains are made with Chemical Nickel Plated Pins and Hardened Sinter Steel Bushes. These components are self-lubricating. All other parts are Nickel Plated and protected against rust. Donghua SLR roller chains are used in applications where maintenance is not possible. Re-lubrication is not needed and not recommended. The outside of these SLR Roller Chains is dry. All Donghua roller chains are: Pre-loaded, Fatigue resistant, Wear resistant and Pre-lubricated. Donghua simplex, duplex and triplex roller chains are manufactured according to ISO 606 DIN8187, standard pre-loaded, pre-lubricated, do have seamless rollers and are marked with production batch code number for complete traceability. All Donghua roller chains are sealed in plastic bags and packed in cardboard boxes with clear ISO 606 DIN descriptions and safety instructions. Standard packaging size is 5 meter box, reels are available on request. Cut to length service is available on request. Several test certificates like breaking load, length tolerance and material analyses are possible and available on request. Rollers chains which are needed for 'run as pairs' applications can be matched as pairs on request. DIN, 1/2DIN and 1/3DIN length tolerance are possible, please ask us for a quotation. For high temperature, low temperature, food application or special environments different kind of special lubricants are available. Please ask our sales team for any special needs.

Short pitch precision roller chains (A series) SLR (Self Lubricating Roller Chain)

Duplex roller chains & bush chains

| Part nr. | DIN/ISO 606 Chain no. | ANSI Chain no. | Pitch | Roller diameter | Width between inner plates | Pin diameter | Pin length | | Inner plate depth | Plate thickness | Transverse pitch |
|-------------|--------------------------|-------------------|--------|--------------------|-------------------------------------|-----------------|------------|--------|-------------------------|--------------------|---------------------|
| | | | | d1 max | b1 min | d2 max | L max | Lc max | h2 max | T max | |
| | | | | mm | mm | mm | mm | mm | mm | mm | |
| 14035-2SLR | *06C-2 | *35-2 | 9,525 | 5,08 | 4,77 | 3,58 | 22,5 | 23,3 | 9,00 | 1,30 | 10,13 |
| 14040-2SLR | 08A-2 | 40-2 | 12,700 | 7,95 | 7,85 | 3,96 | 31,0 | 32,2 | 12,00 | 1,50 | 14,38 |
| 14050-2SLR | 10A-2 | 50-2 | 15,875 | 10,16 | 9,40 | 5,08 | 38,9 | 40,4 | 15,09 | 2,03 | 18,11 |
| 14060-2SLR | 12A-2 | 60-2 | 19,050 | 11,91 | 12,57 | 5,94 | 48,8 | 50,5 | 18,00 | 2,42 | 22,78 |
| 14080-2SLR | 16A-2 | 80-2 | 25,400 | 15,88 | 15,75 | 7,92 | 62,7 | 64,3 | 24,00 | 3,25 | 29,29 |
| 140100-2SLR | 20A-2 | 100-2 | 31,750 | 19,05 | 18,90 | 9,53 | 76,4 | 80,5 | 30,00 | 4,00 | 35,76 |
| 140120-2SLR | 24A-2 | 120-2 | 38,100 | 22,23 | 25,22 | 11,10 | 95,8 | 99,7 | 35,70 | 4,80 | 45,44 |

* Bush chain: d1 in the table indicates the external diameter of the bush.



| Ultimate tensile strength | Average tensile strength | Weight per meter | Available chain parts | | | | |
|---------------------------|--------------------------|------------------|-----------------------|---|---|---|---|
| Q min | Q0 | q | E | S | L | C | A |
| kN/lbf | kN | kg/m | | | | | |
| 15,80/3591 | 19,7 | 0,63 | X | | | X | X |
| 28,20/6409 | 35,9 | 1,12 | X | | X | X | X |
| 44,40/10091 | 58,1 | 2,00 | X | | X | X | X |
| 63,60/14455 | 82,1 | 2,92 | X | | X | X | X |
| 113,40/25773 | 141,8 | 5,15 | X | | X | X | X |
| 177,00/40227 | 219,4 | 7,80 | | X | X | | X |
| 254,00/57727 | 314,9 | 11,70 | | X | X | | X |



Solution range



All Donghua SLR roller chains are made with Chemical Nickel Plated Pins and Hardened Sinter Steel Bushes. These components are self-lubricating. All other parts are Nickel Plated and protected against rust. Donghua SLR roller chains are used in applications where maintenance is not possible. Re-lubrication is not needed and not recommended. The outside of these SLR Roller Chains is dry. All Donghua roller chains are: Pre-loaded, Fatigue resistant, Wear resistant and Pre-lubricated. Donghua simplex, duplex and triplex roller chains are manufactured according to ISO 606 DIN8187, standard pre-loaded, pre-lubricated, do have seamless rollers and are marked with production batch code number for complete traceability. All Donghua roller chains are sealed in plastic bags and packed in cardboard boxes with clear ISO 606 DIN descriptions and safety instructions. Standard packaging size is 5 meter box, reels are available on request. Cut to length service is available on request. Several test certificates like breaking load, length tolerance and material analyses are possible and available on request. Rollers chains which are needed for 'run as pairs' applications can be matched as pairs on request. DIN, 1/2DIN and 1/3DIN length tolerance are possible, please ask us for a quotation. For high temperature, low temperature, food application or special environments different kind of special lubricants are available. Please ask our sales team for any special needs.

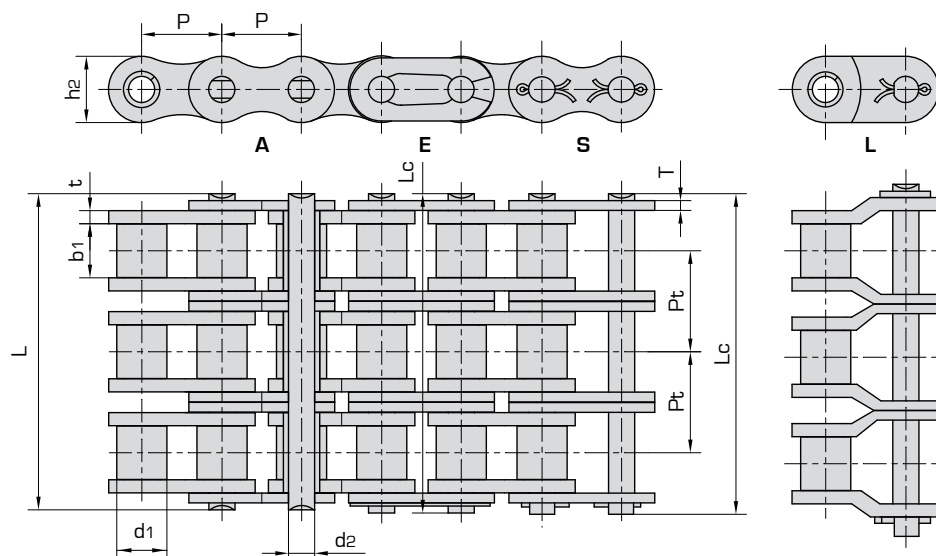
Short pitch precision roller chains (A series)

SLR (Self Lubricating Roller Chain)

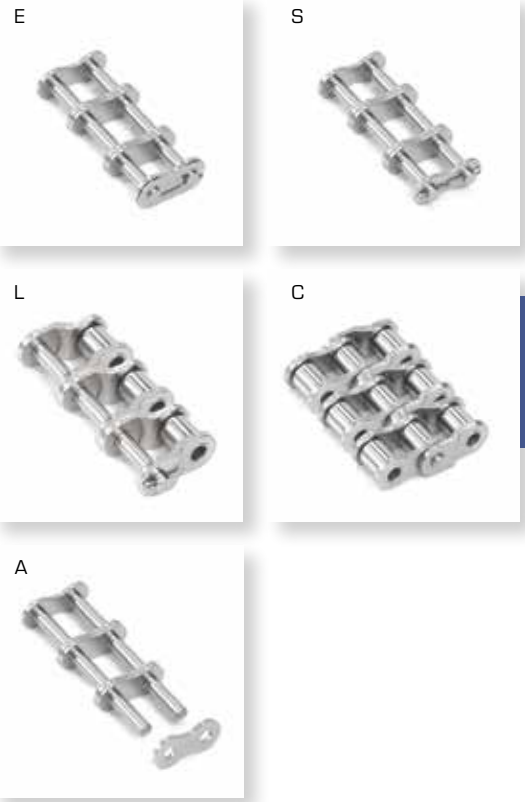
Triplex roller chains & bush chains

| Part nr. | DIN/ISO 606 Chain no. | ANSI Chain no. | Pitch | Roller diameter | Width between inner plates | Pin diameter | Pin length | | Inner plate depth | Plate thickness | Transverse pitch |
|-------------|-----------------------|----------------|--------|-----------------|----------------------------|--------------|------------|--------|-------------------|-----------------|------------------|
| | | | | d1 max | b1 min | d2 max | L max | Lc max | h2 max | T max | |
| | | | | mm | mm | mm | mm | mm | mm | mm | |
| 14035-3SLR | *06C-3 | *35-3 | 9,525 | 5,08 | 4,77 | 3,58 | 32,7 | 33,5 | 9,00 | 1,30 | 10,13 |
| 14040-3SLR | 08A-3 | 40-3 | 12,700 | 7,95 | 7,85 | 3,96 | 45,4 | 46,6 | 12,00 | 1,50 | 14,38 |
| 14050-3SLR | 10A-3 | 50-3 | 15,875 | 10,16 | 9,40 | 5,08 | 57,0 | 58,5 | 15,09 | 2,03 | 18,11 |
| 14060-3SLR | 12A-3 | 60-3 | 19,050 | 11,91 | 12,57 | 5,94 | 71,5 | 73,3 | 18,00 | 2,42 | 22,78 |
| 14080-3SLR | 16A-3 | 80-3 | 25,400 | 15,88 | 15,75 | 7,92 | 91,7 | 93,6 | 24,00 | 3,25 | 29,29 |
| 140100-3SLR | 20A-3 | 100-3 | 31,750 | 19,05 | 18,90 | 9,53 | 112,2 | 116,3 | 30,00 | 4,00 | 35,76 |
| 140120-3SLR | 24A-3 | 120-3 | 38,100 | 22,23 | 25,22 | 11,10 | 141,4 | 145,2 | 35,70 | 4,80 | 45,44 |

* Bush chain: d1 in the table indicates the external diameter of the bush.



| Ultimate tensile strength | Average tensile strength | Weight per meter | Available chain parts | | | | |
|---------------------------|--------------------------|------------------|-----------------------|---|---|---|---|
| Q min | Q0 | q | E | S | L | C | A |
| kN/lbf | kN | kg/m | | | | | |
| 23,7/5386 | 28,6 | 1,05 | X | | | X | X |
| 42,3/9614 | 50,0 | 1,90 | X | | X | | X |
| 66,6/15136 | 77,8 | 3,09 | X | | X | | X |
| 95,4/21682 | 111,1 | 4,54 | X | | X | | X |
| 170,1/38659 | 198,4 | 7,89 | X | | X | | X |
| 265,5/60341 | 309,6 | 11,77 | | X | X | | X |
| 381,0/86591 | 437,2 | 17,53 | | X | X | | X |



Solution range



All Donghua SLR roller chains are made with Chemical Nickel Plated Pins and Hardened Sinter Steel Bushes. These components are self-lubricating. All other parts are Nickel Plated and protected against rust. Donghua SLR roller chains are used in applications where maintenance is not possible. Re-lubrication is not needed and not recommended. The outside of these SLR Roller Chains is dry. All Donghua roller chains are: Pre-loaded, Fatigue resistant, Wear resistant and Pre-lubricated. Donghua simplex, duplex and triplex roller chains are manufactured according to ISO 606 DIN8187, standard pre-loaded, pre-lubricated, do have seamless rollers and are marked with production batch code number for complete traceability. All Donghua roller chains are sealed in plastic bags and packed in cardboard boxes with clear ISO 606 DIN descriptions and safety instructions. Standard packaging size is 5 meter box, reels are available on request. Cut to length service is available on request. Several test certificates like breaking load, length tolerance and material analyses are possible and available on request. Rollers chains which are needed for 'run as pairs' applications can be matched as pairs on request. DIN, 1/2DIN and 1/3DIN length tolerance are possible, please ask us for a quotation. For high temperature, low temperature, food application or special environments different kind of special lubricants are available. Please ask our sales team for any special needs.





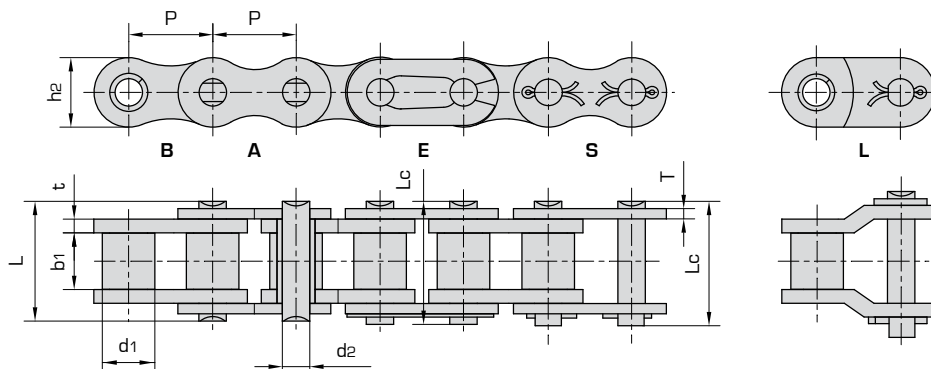
Short pitch precision roller chains (B series)

Nickel Plated

Simplex roller chains

| Part nr. | DIN/ISO 606 Chain no. | Pitch | Roller diameter | Width between inner plates | Pin diameter | Pin length | | Inner plate depth | Plate thickness |
|------------|-----------------------|---------|-----------------|----------------------------|--------------|------------|--------|-------------------|-----------------|
| | | P | d1 max | b1 min | d2 max | L max | Lc max | h2 max | T max |
| | | mm | mm | mm | mm | mm | mm | mm | mm |
| 10004B-1NP | 04B-1NP | 6,000 | 4,00 | 2,80 | 1,85 | 6,80 | 7,8 | 5,00 | 0,60 |
| 10005B-1NP | 05B-1NP | 8,000 | 5,00 | 3,00 | 2,31 | 8,20 | 8,9 | 7,10 | 0,80 |
| 10006B-1NP | *06B-1NP | 9,525 | 6,35 | 5,72 | 3,28 | 13,15 | 14,1 | 8,20 | 1,30 |
| 10008B-1NP | 08B-1NP | 12,700 | 8,51 | 7,75 | 4,45 | 16,70 | 18,2 | 11,80 | 1,60 |
| 10010B-1NP | 10B-1NP | 15,875 | 10,16 | 9,65 | 5,08 | 19,50 | 20,9 | 14,70 | 1,70 |
| 10012B-1NP | 12B-1NP | 19,050 | 12,07 | 11,68 | 5,72 | 22,50 | 24,2 | 16,00 | 1,85 |
| 10016B-1NP | 16B-1NP | 25,400 | 15,88 | 17,02 | 8,28 | 36,10 | 37,4 | 21,00 | 4,15/3,1 |
| 10020B-1NP | 20B-1NP | 31,750 | 19,05 | 19,56 | 10,19 | 41,30 | 45,0 | 26,40 | 4,50/3,5 |
| 10024B-1NP | 24B-1NP | 38,100 | 25,40 | 25,40 | 14,63 | 53,40 | 57,8 | 33,20 | 6,00/4,8 |
| 10028B-1NP | 28B-1NP | 44,450 | 27,94 | 30,99 | 15,90 | 65,10 | 69,5 | 36,70 | 7,50/6,0 |
| 10032B-1NP | 32B-1NP | 50,800 | 29,21 | 30,99 | 17,81 | 66,00 | 71,0 | 42,00 | 7,00/6,0 |
| 10040B-1NP | 40B-1NP | 63,500 | 39,37 | 38,10 | 22,89 | 82,20 | 89,2 | 52,96 | 8,50/8,0 |
| 10048B-1NP | 48B-1NP | 76,200 | 48,26 | 45,72 | 29,24 | 99,10 | 107,0 | 63,80 | 12,00/10,0 |
| 10056B-1NP | 56B-1NP | 88,900 | 53,98 | 53,34 | 34,32 | 114,60 | 123,0 | 77,80 | 13,50/12,0 |
| 10064B-1NP | 64B-1NP | 101,600 | 63,50 | 60,96 | 39,40 | 130,00 | 138,5 | 90,17 | 15,00/13,0 |
| 10072B-1NP | 72B-1NP | 114,300 | 72,39 | 68,58 | 44,48 | 147,40 | 156,4 | 103,60 | 17,00/15,0 |

* Straight side plates



| Ultimate tensile strength | Average tensile strength | | Weight per meter | | Available chain parts | | | | | |
|---------------------------|--------------------------|-------|------------------|----|-----------------------|---|---|---|---|---|
| | Q min | Q min | Q0 | Q0 | q | q | | | | |
| kN/lbf | kN | | kg/m | | E | S | L | C | A | B |
| 3,0/682 | 3,2 | | 0,11 | | X | | X | X | X | X |
| 5,0/1136 | 5,9 | | 0,20 | | X | | X | X | X | X |
| 9,0/2045 | 10,4 | | 0,41 | | X | | X | X | X | X |
| 18,0/4091 | 19,4 | | 0,69 | | X | X | X | X | X | X |
| 22,4/5091 | 27,5 | | 0,93 | | X | X | X | X | X | X |
| 29,0/6591 | 32,2 | | 1,15 | | X | X | X | X | X | X |
| 60,0/13636 | 77,1 | | 2,71 | | X | X | X | X | X | X |
| 95,0/21591 | 112,8 | | 3,70 | | X | X | X | | X | X |
| 160,0/36364 | 178,0 | | 7,10 | | | X | X | | X | X |
| 200,0/45455 | 236,4 | | 8,50 | | | X | X | | X | X |
| 250,0/56818 | 277,5 | | 10,25 | | | X | X | | X | X |
| 355,0/80682 | 394,0 | | 16,35 | | | X | X | | X | X |
| 560,0/127272 | 621,6 | | 25,00 | | | X | X | | X | X |
| 850,0/193180 | 940,0 | | 35,78 | | | X | X | | X | X |
| 1120,0/254544 | 1240,0 | | 46,00 | | | X | X | | X | X |
| 1400,0/318180 | 1550,0 | | 60,80 | | | X | X | | X | X |



Solution range



Donghua Nickel Plated Roller Chains are developed to offer good wear and corrosion resistance. For special applications we deliver Chemical Nickel Plating on request. All Donghua roller chains are: Pre-loaded, Fatigue resistant, Wear resistant and Pre-lubricated. Donghua simplex, duplex and triplex roller chains are manufactured according to ISO 606 DIN8187, standard pre-loaded, pre-lubricated, do have seamless rollers and are marked with production batch code number for complete traceability. All Donghua roller chains are sealed in plastic bags and packed in cardboard boxes with clear ISO 606 DIN descriptions and safety instructions. Standard packaging size is 5 meter box, reels are available on request. Cut to length service is available on request. Several test certificates like breaking load, length tolerance and material analyses are possible and available on request. Rollers chains which are needed for 'run as pairs' applications can be matched as pairs on request. DIN, 1/2DIN and 1/3DIN length tolerance are possible, please ask us for a quotation. For high temperature, low temperature, food application or special environments different kind of special lubricants are available. Please ask our sales team for any special needs. For drive chain calculation and right dimension check, please contact our engineering department, also see drive chain calculation data sheet on page 301. By filling this data sheet and sending this to our engineering department you will receive a detailed drive chain calculation including life time expectation. Sprockets are available for all roller chains, with pilot bore, fixed bore, keyway, setscrew or bearing bore with grooves. Standard toothing, hardened toothing or special toothing are possible with pilot bore, fixed bore or taper bush. Chain tools, tensioners and chain lubricants please see page 302-310.

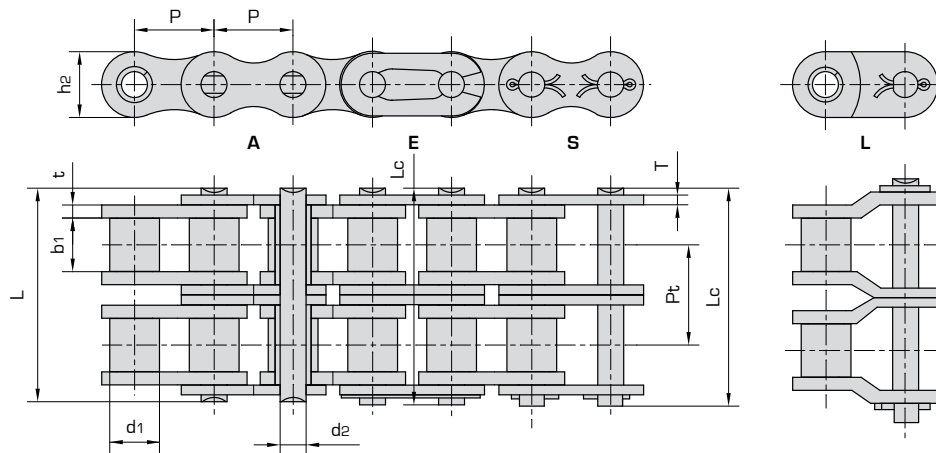
Short pitch precision roller chains (B series)

Nickel Plated

Duplex roller chains

| Part nr. | DIN/ISO 606 Chain no. | Pitch | Roller diameter | Width between inner plates | Pin diameter | Pin length | Inner plate depth | Plate thickness | Transverse pitch | |
|------------|-----------------------|---------|-----------------|----------------------------|--------------|------------|-------------------|-----------------|------------------|--------|
| | | P | d1 max | b1 min | d2 max | L max | Lc max | h2 max | T max | Pt |
| | | mm | mm | mm | mm | mm | mm | mm | mm | mm |
| 10004B-2NP | 04B-2NP | 6,000 | 4,00 | 2,80 | 1,85 | 13,2 | 14,2 | 5,00 | 0,60 | 5,50 |
| 10005B-2NP | 05B-2NP | 8,000 | 5,00 | 3,00 | 2,31 | 13,9 | 14,5 | 7,10 | 0,80 | 5,64 |
| 10006B-2NP | *06B-2NP | 9,525 | 6,35 | 5,72 | 3,28 | 23,4 | 24,4 | 8,20 | 1,30 | 10,24 |
| 10008B-2NP | 08B-2NP | 12,700 | 8,51 | 7,75 | 4,45 | 31,0 | 32,2 | 11,80 | 1,60 | 13,92 |
| 10010B-2NP | 10B-2NP | 15,875 | 10,16 | 9,65 | 5,08 | 36,1 | 37,5 | 14,70 | 1,70 | 16,59 |
| 10012B-2NP | 12B-2NP | 19,050 | 12,07 | 11,68 | 5,72 | 42,0 | 43,6 | 16,00 | 1,85 | 19,46 |
| 10016B-2NP | 16B-2NP | 25,400 | 15,88 | 17,02 | 8,28 | 68,0 | 69,3 | 21,00 | 4,15/3,1 | 31,88 |
| 10020B-2NP | 20B-2NP | 31,750 | 19,05 | 19,56 | 10,19 | 77,8 | 81,5 | 26,40 | 4,50/3,5 | 36,45 |
| 10024B-2NP | 24B-2NP | 38,100 | 25,40 | 25,40 | 14,63 | 101,7 | 106,2 | 33,20 | 6,00/4,8 | 48,36 |
| 10028B-2NP | 28B-2NP | 44,450 | 27,94 | 30,99 | 15,90 | 124,6 | 129,1 | 36,70 | 7,50/6,0 | 59,56 |
| 10032B-2NP | 32B-2NP | 50,800 | 29,21 | 30,99 | 17,81 | 124,6 | 129,6 | 42,00 | 7,00/6,0 | 58,55 |
| 10040B-2NP | 40B-2NP | 63,500 | 39,37 | 38,10 | 22,89 | 154,5 | 161,5 | 52,96 | 8,50/8,0 | 72,29 |
| 10048B-2NP | 48B-2NP | 76,200 | 48,26 | 45,72 | 29,24 | 190,4 | 198,2 | 63,80 | 12,00/10,0 | 91,21 |
| 10056B-2NP | 56B-2NP | 88,900 | 53,98 | 53,34 | 34,32 | 221,2 | 229,6 | 77,80 | 13,50/12,0 | 106,60 |
| 10064B-2NP | 64B-2NP | 101,600 | 63,50 | 60,96 | 39,40 | 249,9 | 258,4 | 90,17 | 15,00/13,0 | 119,89 |
| 10072B-2NP | 72B-2NP | 114,300 | 72,39 | 68,58 | 44,48 | 283,7 | 292,7 | 103,60 | 17,00/15,0 | 136,27 |

* Straight side plates



| Ultimate tensile strength | Average tensile strength | Weight per meter | Available chain parts | | | | |
|---------------------------|--------------------------|------------------|-----------------------|---|---|---|---|
| Q min | Q0 | q | E | S | L | C | A |
| kN/lbf | kN | kg/m | | | | | |
| 5,0/1124 | 6,1 | 0,23 | X | | X | X | X |
| 7,8/1773 | 10,2 | 0,33 | X | | X | X | X |
| 16,9/3841 | 18,7 | 0,77 | X | | X | X | X |
| 32,0/7273 | 38,7 | 1,34 | X | X | X | X | X |
| 44,5/10114 | 56,2 | 1,84 | X | X | X | X | X |
| 57,8/13136 | 66,1 | 2,31 | X | X | X | X | X |
| 106,0/24091 | 152,0 | 5,42 | X | X | X | X | X |
| 170,0/38636 | 229 | 7,20 | | X | X | | X |
| 280,0/63636 | 319,2 | 13,40 | | X | X | | X |
| 360,0/81818 | 406,8 | 16,60 | | X | X | | X |
| 450,0/102273 | 508,5 | 21,00 | | X | X | | X |
| 630,0/143182 | 711,9 | 32,00 | | X | X | | X |
| 1000,0/227272 | 1130,0 | 50,00 | | X | X | | X |
| 1600,0/363635 | 1760,0 | 71,48 | | X | X | | X |
| 2000,0/454544 | 2200,0 | 91,00 | | X | X | | X |
| 2500,0/568180 | 2750,0 | 120,40 | | X | X | | X |



Donghua Nickel Plated Roller Chains are developed to offer good wear and corrosion resistance. For special applications we deliver Chemical Nickel Plating on request. All Donghua roller chains are: Pre-loaded, Fatigue resistant, Wear resistant and Pre-lubricated. Donghua simplex, duplex and triplex roller chains are manufactured according to ISO 606 DIN8187, standard pre-loaded, pre-lubricated, do have seamless rollers and are marked with production batch code number for complete traceability. All Donghua roller chains are sealed in plastic bags and packed in cardboard boxes with clear ISO 606 DIN descriptions and safety instructions. Standard packaging size is 5 meter box, reels are available on request. Cut to length service is available on request. Several test certificates like breaking load, length tolerance and material analyses are possible and available on request. Rollers chains which are needed for 'run as pairs' applications can be matched as pairs on request. DIN, 1/2DIN and 1/3DIN length tolerance are possible, please ask us for a quotation. For high temperature, low temperature, food application or special environments different kind of special lubricants are available. Please ask our sales team for any special needs. For drive chain calculation and right dimension check, please contact our engineering department, also see drive chain calculation data sheet on page 301. By filling this data sheet and sending this to our engineering department you will receive a detailed drive chain calculation including life time expectation. Sprockets are available for all roller chains, with pilot bore, fixed bore, keyway, setscrew or bearing bore with grooves. Standard toothing, hardened toothing or special toothing are possible with pilot bore, fixed bore or taper bush. Chain tools, tensioners and chain lubricants please see page 302-310.

Solution range

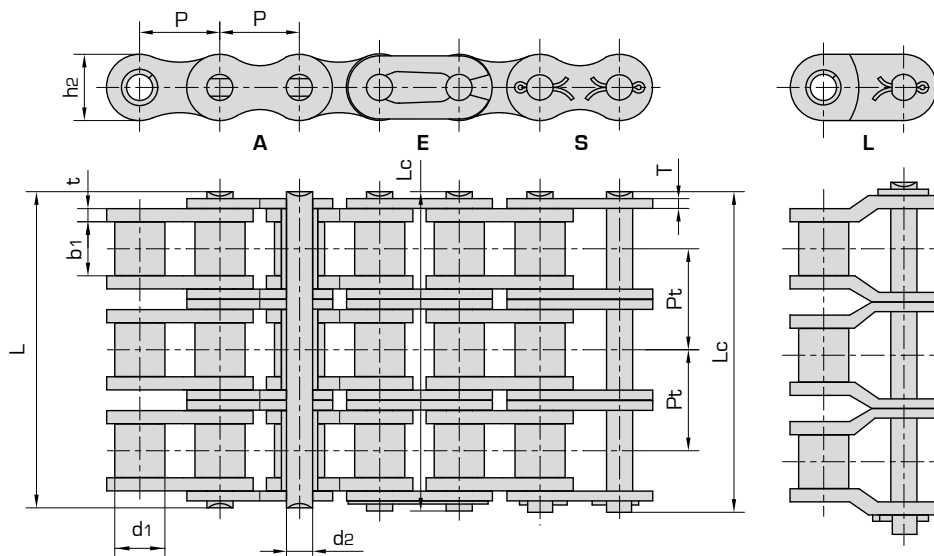
Short pitch precision roller chains (B series)

Nickel Plated

Triplex roller chains

| Part nr. | DIN/ISO 606 Chain no. | Pitch | Roller diameter | Width between inner plates | Pin diameter | Pin length | Inner plate depth | Plate thickness | Transverse pitch | |
|------------|-----------------------|---------|-----------------|----------------------------|--------------|------------|-------------------|-----------------|------------------|--------|
| | | P | d1 max | b1 min | d2 max | L max | Lc max | h2 max | T max | Pt |
| | | mm | mm | mm | mm | mm | mm | mm | mm | mm |
| 10005B-3NP | 05B-3NP | 8,000 | 5,00 | 3,00 | 2,31 | 19,5 | 20,2 | 7,10 | 0,80 | 5,64 |
| 10006B-3NP | *06B-3NP | 9,525 | 6,35 | 5,72 | 3,28 | 33,5 | 34,6 | 8,20 | 1,30 | 10,24 |
| 10008B-3NP | 08B-3NP | 12,700 | 8,51 | 7,75 | 4,45 | 45,1 | 46,1 | 11,80 | 1,60 | 13,92 |
| 10010B-3NP | 10B-3NP | 15,875 | 10,16 | 9,65 | 5,08 | 52,7 | 54,1 | 14,70 | 1,70 | 16,59 |
| 10012B-3NP | 12B-3NP | 19,050 | 12,07 | 11,68 | 5,72 | 61,5 | 63,1 | 16,00 | 1,85 | 19,46 |
| 10016B-3NP | 16B-3NP | 25,400 | 15,88 | 17,02 | 8,28 | 99,8 | 101,2 | 21,00 | 4,15/3,1 | 31,88 |
| 10020B-3NP | 20B-3NP | 31,750 | 19,05 | 19,56 | 10,19 | 114,2 | 117,9 | 26,40 | 4,50/3,5 | 36,45 |
| 10024B-3NP | 24B-3NP | 38,100 | 25,40 | 25,40 | 14,63 | 150,1 | 154,6 | 33,20 | 6,00/4,8 | 48,36 |
| 10028B-3NP | 28B-3NP | 44,450 | 27,94 | 30,99 | 15,90 | 184,2 | 188,7 | 36,70 | 7,50/6,0 | 59,56 |
| 10032B-3NP | 32B-3NP | 50,800 | 29,21 | 30,99 | 17,81 | 183,2 | 188,2 | 42,00 | 7,00/6,0 | 58,55 |
| 10040B-3NP | 40B-3NP | 63,500 | 39,37 | 38,10 | 22,89 | 226,8 | 233,8 | 52,96 | 8,50/8,0 | 72,29 |
| 10048B-3NP | 48B-3NP | 76,200 | 48,26 | 45,72 | 29,24 | 281,6 | 289,4 | 63,80 | 12,00/10,0 | 91,21 |
| 10056B-3NP | 56B-3NP | 88,900 | 53,98 | 53,34 | 34,32 | 327,8 | 336,2 | 77,80 | 13,50/12,0 | 106,6 |
| 10064B-3NP | 64B-3NP | 101,600 | 63,50 | 60,96 | 39,40 | 369,8 | 378,3 | 90,17 | 15,00/13,0 | 119,89 |
| 10072B-3NP | 72B-3NP | 114,300 | 72,39 | 68,58 | 44,48 | 420,0 | 429,0 | 103,60 | 17,00/15,0 | 136,27 |

* Straight side plates



| Ultimate tensile strength | Average tensile strength | Weight per meter | Available chain parts | | | | |
|---------------------------|--------------------------|------------------|-----------------------|---|---|---|---|
| Q min | Q0 | q | E | S | L | C | A |
| kN/lbf | kN | kg/m | | | | | |
| 11,1/2523 | 13,8 | 0,48 | X | | X | X | X |
| 24,9/5659 | 30,1 | 1,16 | X | | X | X | X |
| 47,5/10795 | 57,8 | 2,03 | X | X | X | X | X |
| 66,7/15159 | 84,5 | 2,77 | X | X | X | X | X |
| 86,7/19705 | 101,8 | 3,46 | X | X | X | X | X |
| 160,0/36364 | 227,1 | 8,13 | X | X | X | X | X |
| 250,0/56818 | 334,3 | 10,82 | | X | X | | X |
| 425,0/96591 | 493,0 | 20,10 | | X | X | | X |
| 530,0/120454 | 609,5 | 24,92 | | X | X | | X |
| 670,0/152273 | 770,5 | 31,56 | | X | X | | X |
| 950,0/215909 | 1092,5 | 48,10 | | X | X | | X |
| 1500,0/340909 | 1710,0 | 75,00 | | X | X | | X |
| 2240,0/545450 | 2464,0 | 107,18 | | X | X | | X |
| 3000,0/681820 | 3300,0 | 136,00 | | X | X | | X |
| 3750,0/852270 | 4125,0 | 180,00 | | X | X | | X |



Solution range



Donghua Nickel Plated Roller Chains are developed to offer good wear and corrosion resistance. For special applications we deliver Chemical Nickel Plating on request. All Donghua roller chains are: Pre-loaded, Fatigue resistant, Wear resistant and Pre-lubricated. Donghua simplex, duplex and triplex roller chains are manufactured according to ISO 606 DIN8187, standard pre-loaded, pre-lubricated, do have seamless rollers and are marked with production batch code number for complete traceability. All Donghua roller chains are sealed in plastic bags and packed in cardboard boxes with clear ISO 606 DIN descriptions and safety instructions. Standard packaging size is 5 meter box, reels are available on request. Cut to length service is available on request. Several test certificates like breaking load, length tolerance and material analyses are possible and available on request. Rollers chains which are needed for 'run as pairs' applications can be matched as pairs on request. DIN, 1/2DIN and 1/3DIN length tolerance are possible, please ask us for a quotation. For high temperature, low temperature, food application or special environments different kind of special lubricants are available. Please ask our sales team for any special needs. For drive chain calculation and right dimension check, please contact our engineering department, also see drive chain calculation data sheet on page 301. By filling this data sheet and sending this to our engineering department you will receive a detailed drive chain calculation including life time expectation. Sprockets are available for all roller chains, with pilot bore, fixed bore, keyway, setscrew or bearing bore with grooves. Standard toothing, hardened toothing or special toothing are possible with pilot bore, fixed bore or taper bush. Chain tools, tensioners and chain lubricants please see page 302-310.

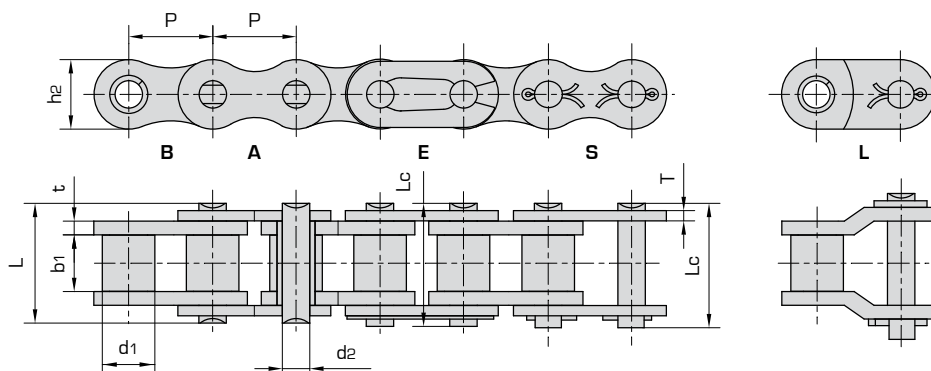
Short pitch precision roller chains (A series)

Nickel Plated

Simplex roller chains & bush chains

| Part nr. | DIN/ISO 606 Chain no. | ANSI Chain no. | Pitch | Roller | Width | Pin | Pin length | | Inner | Plate | |
|------------|--------------------------|-------------------|--------|----------|---------|----------|------------|--------|--------|-----------|----|
| | | | | diameter | between | diameter | L max | Lc max | plate | thickness | |
| | | | | d1 max | b1 min | d2 max | mm | mm | depth | mm | |
| | | | P | d1 max | b1 min | d2 max | L max | Lc max | h2 max | T max | |
| | | | mm | mm | mm | mm | mm | mm | mm | mm | mm |
| 10015-1NP | *03C | *15 | 4,763 | 2,48 | 2,38 | 1,62 | 6,10 | 6,90 | 4,30 | 0,60 | |
| 10025-1NP | *04C-1 | *25 | 6,350 | 3,30 | 3,18 | 2,31 | 7,90 | 8,40 | 6,00 | 0,80 | |
| 10035-1NP | *06C-1 | *35 | 9,525 | 5,08 | 4,77 | 3,58 | 12,40 | 13,17 | 9,00 | 1,30 | |
| 10041-1NP | 085-1 | 41 | 12,700 | 7,77 | 6,25 | 3,58 | 13,75 | 15,00 | 9,91 | 1,30 | |
| 10040-1NP | 08A-1 | 40 | 12,700 | 7,95 | 7,85 | 3,96 | 16,60 | 17,80 | 12,00 | 1,50 | |
| 10050-1NP | 10A-1 | 50 | 15,875 | 10,16 | 9,40 | 5,08 | 20,70 | 22,20 | 15,09 | 2,03 | |
| 10060-1NP | 12A-1 | 60 | 19,050 | 11,91 | 12,57 | 5,94 | 25,90 | 27,70 | 18,00 | 2,42 | |
| 10080-1NP | 16A-1 | 80 | 25,400 | 15,88 | 15,75 | 7,92 | 32,70 | 35,00 | 24,00 | 3,25 | |
| 100100-1NP | 20A-1 | 100 | 31,750 | 19,05 | 18,90 | 9,53 | 40,40 | 44,70 | 30,00 | 4,00 | |
| 100120-1NP | 24A-1 | 120 | 38,100 | 22,23 | 25,22 | 11,10 | 50,30 | 54,30 | 35,70 | 4,80 | |
| 100140-1NP | 28A-1 | 140 | 44,450 | 25,40 | 25,22 | 12,70 | 54,40 | 59,00 | 41,00 | 5,60 | |
| 100160-1NP | 32A-1 | 160 | 50,800 | 28,58 | 31,55 | 14,27 | 64,80 | 69,60 | 47,80 | 6,40 | |
| 100180-1NP | 36A-1 | 180 | 57,150 | 35,71 | 35,48 | 17,46 | 72,80 | 78,60 | 53,60 | 7,20 | |
| 100200-1NP | 40A-1 | 200 | 63,500 | 39,68 | 37,85 | 19,85 | 80,30 | 87,20 | 60,00 | 8,00 | |
| 100240-1NP | 48A-1 | 240 | 76,200 | 47,63 | 47,35 | 23,81 | 95,50 | 103,00 | 72,39 | 9,50 | |

* Bush chain: d1 in the table indicates the external diameter of the bush.



| Ultimate tensile strength | Average tensile strength | Weight per meter | Available chain parts | | | | | |
|---------------------------|--------------------------|------------------|-----------------------|---|---|---|---|---|
| Q min | Q0 | q | E | S | L | C | A | B |
| kN/lbf | kN | kg/m | | | | | | |
| 1,80/409 | 2,0 | 0,08 | X | | | X | X | X |
| 3,50/795 | 5,0 | 0,15 | X | | | X | X | X |
| 7,90/1795 | 11,3 | 0,33 | X | | X | X | X | X |
| 6,67/1516 | 18,6 | 0,41 | X | | X | X | X | X |
| 14,10/3205 | 31,3 | 0,62 | X | | X | X | X | X |
| 22,20/5045 | 43,2 | 1,02 | X | | X | X | X | X |
| 31,80/7227 | 74,3 | 1,50 | X | | X | X | X | X |
| 56,70/12886 | 107,6 | 2,60 | X | | X | X | X | X |
| 88,50/20114 | 163,1 | 3,91 | | X | X | | X | X |
| 127,00/28864 | 222,5 | 5,62 | | X | X | | X | X |
| 172,40/39182 | 266,9 | 7,50 | | X | X | | X | X |
| 226,80/51545 | 361,1 | 10,10 | | X | X | | X | X |
| 280,20/63682 | 466,8 | 13,45 | | X | X | | X | X |
| 353,80/80409 | 671,6 | 16,15 | | X | X | | X | X |
| 510,30/115977 | 622,5 | 23,2 | | X | X | | X | X |



Solution Range



Donghua Nickel Plated Roller Chains are developed to offer good wear and corrosion resistance. For special applications we deliver Chemical Nickel Plating on request. All Donghua roller chains are: Pre-loaded, Fatigue resistant, Wear resistant and Pre-lubricated. Donghua simplex, duplex and triplex roller chains are manufactured according to ISO 606 DIN8187, standard pre-loaded, pre-lubricated, do have seamless rollers and are marked with production batch code number for complete traceability. All Donghua roller chains are sealed in plastic bags and packed in cardboard boxes with clear ISO 606 DIN descriptions and safety instructions. Standard packaging size is 5 meter box, reels are available on request. Cut to length service is available on request. Several test certificates like breaking load, length tolerance and material analyses are possible and available on request. Rollers chains which are needed for 'run as pairs' applications can be matched as pairs on request. DIN, 1/2DIN and 1/3DIN length tolerance are possible, please ask us for a quotation. For high temperature, low temperature, food application or special environments different kind of special lubricants are available. Please ask our sales team for any special needs. For drive chain calculation and right dimension check, please contact our engineering department, also see drive chain calculation data sheet on page 301. By filling this data sheet and sending this to our engineering department you will receive a detailed drive chain calculation including life time expectation. Sprockets are available for all roller chains, with pilot bore, fixed bore, keyway, setscrew or bearing bore with grooves. Standard toothing, hardened toothing or special toothing are possible with pilot bore, fixed bore or taper bush. Chain tools, tensioners and chain lubricants please see page 302-310.

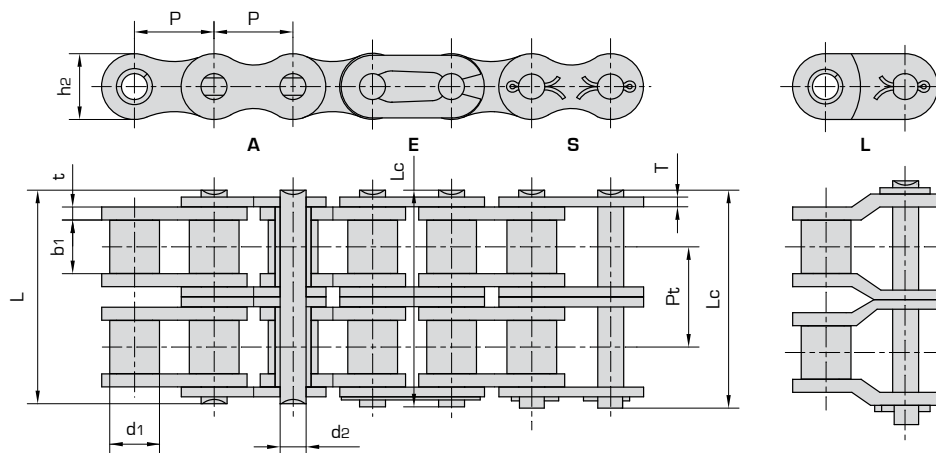
Short pitch precision roller chains (A series)

Nickel Plated

Duplex roller chains & bush chains

| Part nr. | DIN/ISO 606 Chain no. | ANSI Chain no. | Pitch | Roller | Width | Pin | Pin length | | Inner | Plate | Transverse pitch |
|------------|--------------------------|-------------------|--------|----------|---------|----------|------------|--------|-------|-----------|---------------------|
| | | | | diameter | between | diameter | L max | Lc max | plate | thickness | |
| | | | | d1 max | inner | d2 max | mm | mm | depth | mm | |
| | | | P | b1 min | d2 max | L max | Lc max | h2 max | T max | | |
| | | | mm | mm | mm | mm | mm | mm | mm | mm | mm |
| 10025-2NP | *04C-2 | *25-2 | 6,350 | 3,30 | 3,18 | 2,31 | 14,5 | 15,0 | 6,00 | 0,80 | 6,40 |
| 10035-2NP | *06C-2 | *35-2 | 9,525 | 5,08 | 4,77 | 3,58 | 22,5 | 23,3 | 9,00 | 1,30 | 10,13 |
| 10041-2NP | 085-2 | 41-2 | 12,700 | 7,77 | 6,25 | 3,58 | 25,7 | 26,9 | 9,91 | 1,30 | 11,95 |
| 10040-2NP | 08A-2 | 40-2 | 12,700 | 7,95 | 7,85 | 3,96 | 31,0 | 32,2 | 12,00 | 1,50 | 14,38 |
| 10050-2NP | 10A-2 | 50-2 | 15,875 | 10,16 | 9,40 | 5,08 | 38,9 | 40,4 | 15,09 | 2,03 | 18,11 |
| 10060-2NP | 12A-2 | 60-2 | 19,050 | 11,91 | 12,57 | 5,94 | 48,8 | 50,5 | 18,00 | 2,42 | 22,78 |
| 10080-2NP | 16A-2 | 80-2 | 25,400 | 15,88 | 15,75 | 7,92 | 62,7 | 64,3 | 24,00 | 3,25 | 29,29 |
| 100100-2NP | 20A-2 | 100-2 | 31,750 | 19,05 | 18,90 | 9,53 | 76,4 | 80,5 | 30,00 | 4,00 | 35,76 |
| 100120-2NP | 24A-2 | 120-2 | 38,100 | 22,23 | 25,22 | 11,10 | 95,8 | 99,7 | 35,70 | 4,80 | 45,44 |
| 100140-2NP | 28A-2 | 140-2 | 44,450 | 25,40 | 25,22 | 12,70 | 103,3 | 107,9 | 41,00 | 5,60 | 48,87 |
| 100160-2NP | 32A-2 | 160-2 | 50,800 | 28,58 | 31,55 | 14,27 | 123,3 | 128,1 | 47,80 | 6,40 | 58,55 |
| 100180-2NP | 36A-2 | 180-2 | 57,150 | 35,71 | 35,48 | 17,46 | 138,6 | 144,4 | 53,60 | 7,20 | 65,84 |
| 100200-2NP | 40A-2 | 200-2 | 63,500 | 39,68 | 37,85 | 19,85 | 151,9 | 158,8 | 60,00 | 8,00 | 71,55 |
| 100240-2NP | 48A-2 | 240-2 | 76,200 | 47,63 | 47,35 | 23,81 | 183,4 | 190,8 | 72,39 | 9,50 | 87,83 |

* Bush chain: d1 in the table indicates the external diameter of the bush.



| Ultimate tensile strength | Average tensile strength | Weight per meter | Available chain parts | | | | |
|---------------------------|--------------------------|------------------|-----------------------|---|---|---|---|
| | | | E | S | L | C | A |
| Q min | Q0 | q | | | | | |
| kN/lbf | kN | kg/m | | | | | |
| 7,00/1591 | 10,0 | 0,28 | X | | | X | X |
| 15,80/3591 | 22,3 | 0,63 | X | | | X | X |
| 13,34/3032 | 37,2 | 0,81 | X | | X | X | X |
| 28,20/6409 | 62,6 | 1,12 | X | | X | X | X |
| 44,40/10091 | 86,4 | 2,00 | X | | X | X | X |
| 63,60/14455 | 148,6 | 2,92 | X | | X | X | X |
| 113,40/25773 | 215,2 | 5,15 | X | | X | X | X |
| 177,00/40227 | 326,2 | 7,80 | | X | X | | X |
| 254,00/57727 | 445,0 | 11,70 | | X | X | | X |
| 344,80/78364 | 533,8 | 15,14 | | X | X | | X |
| 453,60/103091 | 722,2 | 20,14 | | X | X | | X |
| 560,50/127386 | 933,6 | 29,22 | | X | X | | X |
| 707,60/160818 | 1343,2 | 32,24 | | X | X | | X |
| 1020,60/213955 | 1255,3 | 45,23 | | X | X | | X |



Donghua Nickel Plated Roller Chains are developed to offer good wear and corrosion resistance. For special applications we deliver Chemical Nickel Plating on request. All Donghua roller chains are: Pre-loaded, Fatigue resistant, Wear resistant and Pre-lubricated. Donghua simplex, duplex and triplex roller chains are manufactured according to ISO 606 DIN8187, standard pre-loaded, pre-lubricated, do have seamless rollers and are marked with production batch code number for complete traceability. All Donghua roller chains are sealed in plastic bags and packed in cardboard boxes with clear ISO 606 DIN descriptions and safety instructions. Standard packaging size is 5 meter box, reels are available on request. Cut to length service is available on request. Several test certificates like breaking load, length tolerance and material analyses are possible and available on request. Rollers chains which are needed for 'run as pairs' applications can be matched as pairs on request. DIN, 1/2DIN and 1/3DIN length tolerance are possible, please ask us for a quotation. For high temperature, low temperature, food application or special environments different kind of special lubricants are available. Please ask our sales team for any special needs. For drive chain calculation and right dimension check, please contact our engineering department, also see drive chain calculation data sheet on page 301. By filling this data sheet and sending this to our engineering department you will receive a detailed drive chain calculation including life time expectation. Sprockets are available for all roller chains, with pilot bore, fixed bore, keyway, setscrew or bearing bore with grooves. Standard toothing, hardened toothing or special toothing are possible with pilot bore, fixed bore or taper bush. Chain tools, tensioners and chain lubricants please see page 302-310.

Solution
range

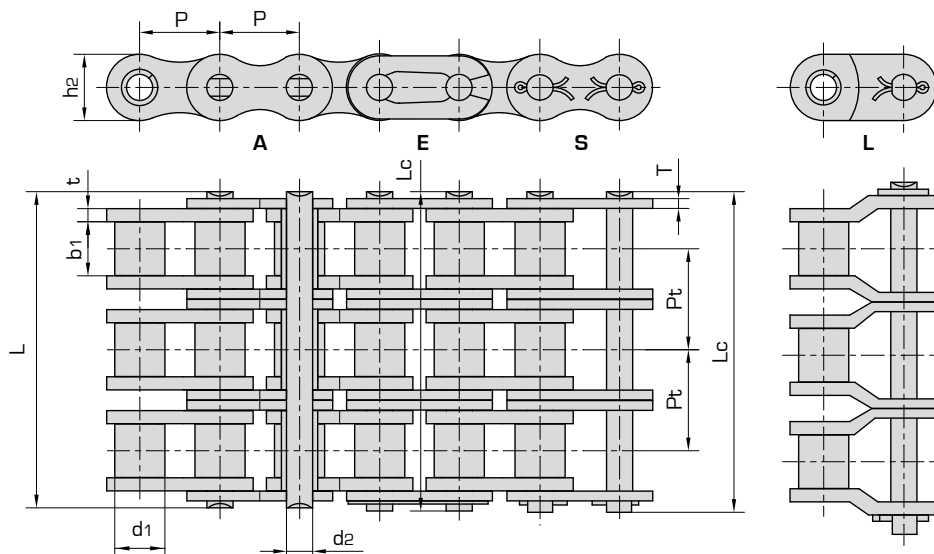
Short pitch precision roller chains (A series)

Nickel Plated

Triplex roller chains & bush chains

| Part nr. | DIN/ISO 606 Chain no. | ANSI Chain no. | Pitch | Roller | Width | Pin | Pin length | | Inner | Plate | Transverse pitch |
|------------|--------------------------|-------------------|--------|----------|---------|----------|------------|--------|--------|-----------|---------------------|
| | | | | diameter | between | diameter | L max | Lc max | plate | thickness | |
| | | | | d1 max | inner | d2 max | mm | mm | depth | mm | |
| | | | P | d1 max | b1 min | d2 max | L max | Lc max | h2 max | T max | |
| | | | mm | mm | mm | mm | mm | mm | mm | mm | |
| 10025-3NP | *04C-3 | *25-3 | 6,350 | 3,30 | 3,18 | 2,31 | 21,0 | 21,5 | 6,00 | 0,80 | 6,40 |
| 10035-3NP | *06C-3 | *35-3 | 9,525 | 5,08 | 4,77 | 3,58 | 32,7 | 33,5 | 9,00 | 1,30 | 10,13 |
| 10040-3NP | 08A-3 | 40-3 | 12,700 | 7,95 | 7,85 | 3,96 | 45,4 | 46,6 | 12,00 | 1,50 | 14,38 |
| 10050-3NP | 10A-3 | 50-3 | 15,875 | 10,16 | 9,40 | 5,08 | 57,0 | 58,5 | 15,09 | 2,03 | 18,11 |
| 10060-3NP | 12A-3 | 60-3 | 19,050 | 11,91 | 12,57 | 5,94 | 71,5 | 73,3 | 18,00 | 2,42 | 22,78 |
| 10080-3NP | 16A-3 | 80-3 | 25,400 | 15,88 | 15,75 | 7,92 | 91,7 | 93,6 | 24,00 | 3,25 | 29,29 |
| 100100-3NP | 20A-3 | 100-3 | 31,750 | 19,05 | 18,90 | 9,53 | 112,2 | 116,3 | 30,00 | 4,00 | 35,76 |
| 100120-3NP | 24A-3 | 120-3 | 38,100 | 22,23 | 25,22 | 11,10 | 141,4 | 145,2 | 35,70 | 4,80 | 45,44 |
| 100140-3NP | 28A-3 | 140-3 | 44,450 | 25,40 | 25,22 | 12,70 | 152,2 | 156,8 | 41,00 | 5,60 | 48,87 |
| 100160-3NP | 32A-3 | 160-3 | 50,800 | 28,58 | 31,55 | 14,27 | 181,8 | 186,6 | 47,80 | 6,40 | 58,55 |
| 100180-3NP | 36A-3 | 180-3 | 57,150 | 35,71 | 35,48 | 17,46 | 204,4 | 210,2 | 53,60 | 7,20 | 65,84 |
| 100200-3NP | 40A-3 | 200-3 | 63,500 | 39,68 | 37,85 | 19,85 | 223,5 | 230,4 | 60,00 | 8,00 | 71,55 |
| 100240-3NP | 48A-3 | 240-3 | 76,200 | 47,63 | 47,35 | 23,81 | 271,3 | 278,6 | 72,39 | 9,50 | 87,83 |

* Bush chain: d1 in the table indicates the external diameter of the bush.



| Ultimate tensile strength | Average tensile strength | Weight per meter | Available chain parts | | | | |
|---------------------------|--------------------------|------------------|-----------------------|---|---|---|---|
| Q min | Q0 | q | E | S | L | C | A |
| kN/lbf | kN | kg/m | | | | | |
| 10.5/2386 | 15,0 | 0,44 | X | | | X | X |
| 23.7/5386 | 33,9 | 1,05 | X | | | X | X |
| 42.3/9614 | 55,8 | 1,90 | X | | X | | X |
| 66.6/15136 | 93,9 | 3,09 | X | | X | | X |
| 95.4/21682 | 129,6 | 4,54 | X | | X | | X |
| 170.1/38659 | 222,9 | 7,89 | X | | X | | X |
| 265.5/60341 | 322,8 | 11,77 | | X | X | | X |
| 381.0/86591 | 489,3 | 17,53 | | X | X | | X |
| 517.2/117545 | 667,5 | 22,20 | | X | X | | X |
| 680.4/154636 | 800,7 | 30,02 | | X | X | | X |
| 840.7/191068 | 1083,3 | 38,22 | | X | X | | X |
| 1061.4/241227 | 1400,4 | 49,03 | | X | X | | X |
| 1530.9/347932 | 2014,8 | 71,60 | | X | X | | X |



Solution
range



Donghua Nickel Plated Roller Chains are developed to offer good wear and corrosion resistance. For special applications we deliver Chemical Nickel Plating on request. All Donghua roller chains are: Pre-loaded, Fatigue resistant, Wear resistant and Pre-lubricated. Donghua simplex, duplex and triplex roller chains are manufactured according to ISO 606 DIN8187, standard pre-loaded, pre-lubricated, do have seamless rollers and are marked with production batch code number for complete traceability. All Donghua roller chains are sealed in plastic bags and packed in cardboard boxes with clear ISO 606 DIN descriptions and safety instructions. Standard packaging size is 5 meter box, reels are available on request. Cut to length service is available on request. Several test certificates like breaking load, length tolerance and material analyses are possible and available on request. Rollers chains which are needed for 'run as pairs' applications can be matched as pairs on request. DIN, 1/2DIN and 1/3DIN length tolerance are possible, please ask us for a quotation. For high temperature, low temperature, food application or special environments different kind of special lubricants are available. Please ask our sales team for any special needs. For drive chain calculation and right dimension check, please contact our engineering department, also see drive chain calculation data sheet on page 301. By filling this data sheet and sending this to our engineering department you will receive a detailed drive chain calculation including life time expectation. Sprockets are available for all roller chains, with pilot bore, fixed bore, keyway, setscrew or bearing bore with grooves. Standard toothing, hardened toothing or special toothing are possible with pilot bore, fixed bore or taper bush. Chain tools, tensioners and chain lubricants please see page 302-310.





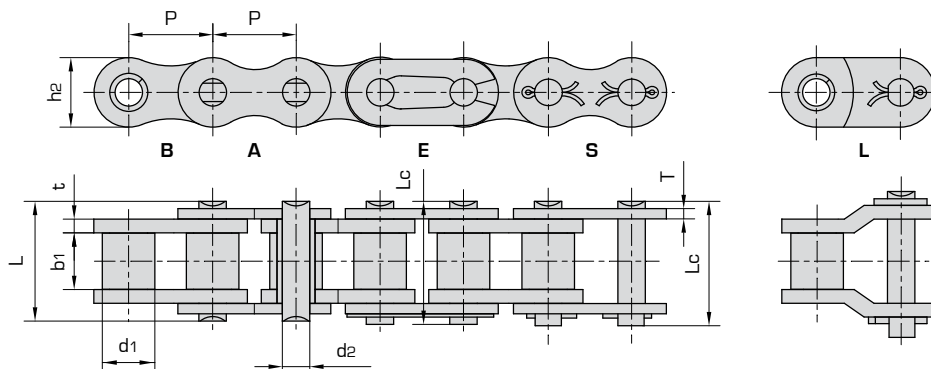
Short pitch precision roller chains (B series)

Zinc Plated

Simplex roller chains & bush chains

| Part nr. | DIN/ISO 606 Chain no. | Pitch | Roller diameter | Width between inner plates | Pin diameter | Pin length | | Inner plate depth | Plate thickness |
|------------|-----------------------|---------|-----------------|----------------------------|--------------|------------|--------|-------------------|-----------------|
| | | P | d1 max | b1 min | d2 max | L max | Lc max | h2 max | T max |
| | | mm | mm | mm | mm | mm | mm | mm | mm |
| 10004B-1ZP | 04B-1ZP | 6,000 | 4,00 | 2,80 | 1,85 | 6,80 | 7,8 | 5,00 | 0,60 |
| 10005B-1ZP | 05B-1ZP | 8,000 | 5,00 | 3,00 | 2,31 | 8,20 | 8,9 | 7,10 | 0,80 |
| 10006B-1ZP | *06B-1ZP | 9,525 | 6,35 | 5,72 | 3,28 | 13,15 | 14,1 | 8,20 | 1,30 |
| 10008B-1ZP | 08B-1ZP | 12,700 | 8,51 | 7,75 | 4,45 | 16,70 | 18,2 | 11,80 | 1,60 |
| 10010B-1ZP | 10B-1ZP | 15,875 | 10,16 | 9,65 | 5,08 | 19,50 | 20,9 | 14,70 | 1,70 |
| 10012B-1ZP | 12B-1ZP | 19,050 | 12,07 | 11,68 | 5,72 | 22,50 | 24,2 | 16,00 | 1,85 |
| 10016B-1ZP | 16B-1ZP | 25,400 | 15,88 | 17,02 | 8,28 | 36,10 | 37,4 | 21,00 | 4,15/3,1 |
| 10020B-1ZP | 20B-1ZP | 31,750 | 19,05 | 19,56 | 10,19 | 41,30 | 45,0 | 26,40 | 4,50/3,5 |
| 10024B-1ZP | 24B-1ZP | 38,100 | 25,40 | 25,40 | 14,63 | 53,40 | 57,8 | 33,20 | 6,00/4,8 |
| 10028B-1ZP | 28B-1ZP | 44,450 | 27,94 | 30,99 | 15,90 | 65,10 | 69,5 | 36,70 | 7,50/6,0 |
| 10032B-1ZP | 32B-1ZP | 50,800 | 29,21 | 30,99 | 17,81 | 66,00 | 71,0 | 42,00 | 7,00/6,0 |
| 10040B-1ZP | 40B-1ZP | 63,500 | 39,37 | 38,10 | 22,89 | 82,20 | 89,2 | 52,96 | 8,50/8,0 |
| 10048B-1ZP | 48B-1ZP | 76,200 | 48,26 | 45,72 | 29,24 | 99,10 | 107,0 | 63,80 | 12,00/10,0 |
| 10056B-1ZP | 56B-1ZP | 88,900 | 53,98 | 53,34 | 34,32 | 114,60 | 123,0 | 77,80 | 13,50/12,0 |
| 10064B-1ZP | 64B-1ZP | 101,600 | 63,50 | 60,96 | 39,40 | 130,00 | 138,5 | 90,17 | 15,00/13,0 |
| 10072B-1ZP | 72B-1ZP | 114,300 | 72,39 | 68,58 | 44,48 | 147,40 | 156,4 | 103,60 | 17,00/15,0 |

* Straight side plates



| Ultimate tensile strength | Average tensile strength | Weight per meter | Available chain parts | | | | | | |
|---------------------------|--------------------------|------------------|-----------------------|---|---|---|---|---|--|
| Q min | Q0 | q | E | S | L | C | A | B | |
| kN/lbf | kN | kg/m | | | | | | | |
| 3,0/682 | 3,2 | 0,11 | X | | X | X | X | X | |
| 5,0/1136 | 5,9 | 0,20 | X | | X | X | X | X | |
| 9,0/2045 | 10,4 | 0,41 | X | | X | X | X | X | |
| 18,0/4091 | 19,4 | 0,69 | X | X | X | X | X | X | |
| 22,4/5091 | 27,5 | 0,93 | X | X | X | X | X | X | |
| 29,0/6591 | 32,2 | 1,15 | X | X | X | X | X | X | |
| 60,0/13636 | 77,1 | 2,71 | X | X | X | X | X | X | |
| 95,0/21591 | 112,8 | 3,70 | X | X | X | | X | X | |
| 160,0/36364 | 178,0 | 7,10 | | X | X | | X | X | |
| 200,0/45455 | 236,4 | 8,50 | | X | X | | X | X | |
| 250,0/56818 | 277,5 | 10,25 | | X | X | | X | X | |
| 355,0/80682 | 394,0 | 16,35 | | X | X | | X | X | |
| 560,0/127272 | 621,6 | 25,00 | | X | X | | X | X | |
| 850,0/193180 | 940,0 | 35,78 | | X | X | | X | X | |
| 1120,0/254544 | 1240,0 | 46,00 | | X | X | | X | X | |
| 1400,0/318180 | 1550,0 | 60,80 | | X | X | | X | X | |



Solution
range



Donghua Zinc Plated Roller Chains are developed to offer good wear and good corrosion resistance. For special applications we deliver the new developed ZinTek Coating on request. All Donghua roller chains are: Pre-loaded, Fatigue resistant, Wear resistant and Pre-lubricated. Donghua simplex, duplex and triplex roller chains are manufactured according to ISO 606 DIN8187, standard pre-loaded, pre-lubricated, do have seamless rollers and are marked with production batch code number for complete traceability. All Donghua roller chains are sealed in plastic bags and packed in cardboard boxes with clear ISO 606 DIN descriptions and safety instructions. Standard packaging size is 5 meter box, reels are available on request. Cut to length service is available on request. Several test certificates like breaking load, length tolerance and material analyses are possible and available on request. Rollers chains which are needed for 'run as pairs' applications can be matched as pairs on request. DIN, 1/2DIN and 1/3DIN length tolerance are possible, please ask us for a quotation. For high temperature, low temperature, food application or special environments different kind of special lubricants are available. Please ask our sales team for any special needs. For drive chain calculation and right dimension check, please contact our engineering department, also see drive chain calculation data sheet on page 301. By filling this data sheet and sending this to our engineering department you will receive a detailed drive chain calculation including life time expectation. Sprockets are available for all roller chains, with pilot bore, fixed bore, keyway, setscrew or bearing bore with grooves. Standard toothing, hardened toothing or special toothing are possible with pilot bore, fixed bore or taper bush. Chain tools, tensioners and chain lubricants please see page 302-310.

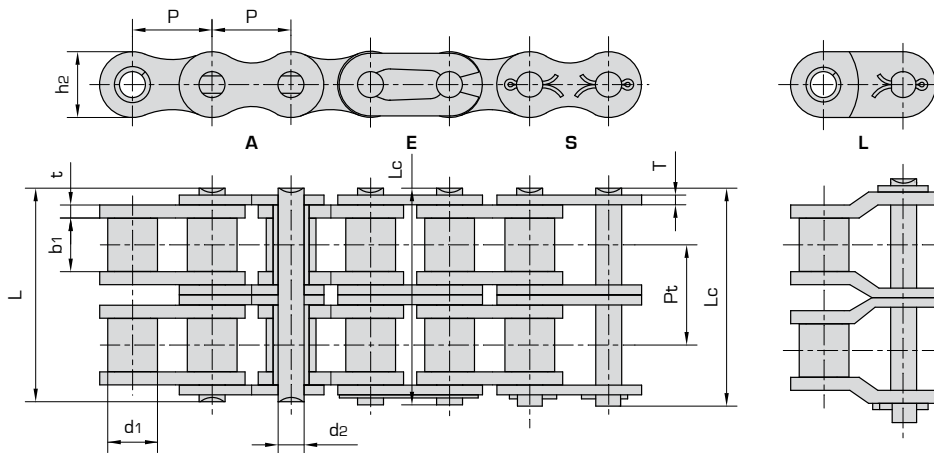
Short pitch precision roller chains (B series)

Zinc Plated

Duplex roller chains & bush chains

| Part nr. | DIN/ISO 606 Chain no. | Pitch | Roller diameter | Width between inner plates | Pin diameter | Pin length | Inner plate depth | Plate thickness | Transverse pitch | |
|------------|-----------------------|---------|-----------------|----------------------------|--------------|------------|-------------------|-----------------|------------------|--------|
| | | P | d1 max | b1 min | d2 max | L max | Lc max | h2 max | T max | Pt |
| | | mm | mm | mm | mm | mm | mm | mm | mm | mm |
| 10004B-2ZP | 04B-2ZP | 6,000 | 4,00 | 2,80 | 1,85 | 13,2 | 14,2 | 5,00 | 0,60 | 5,50 |
| 10005B-2ZP | 05B-2ZP | 8,000 | 5,00 | 3,00 | 2,31 | 13,9 | 14,5 | 7,10 | 0,80 | 5,64 |
| 10006B-2ZP | *06B-2ZP | 9,525 | 6,35 | 5,72 | 3,28 | 23,4 | 24,4 | 8,20 | 1,30 | 10,24 |
| 10008B-2ZP | 08B-2ZP | 12,700 | 8,51 | 7,75 | 4,45 | 31,0 | 32,2 | 11,80 | 1,60 | 13,92 |
| 10010B-2ZP | 10B-2ZP | 15,875 | 10,16 | 9,65 | 5,08 | 36,1 | 37,5 | 14,70 | 1,70 | 16,59 |
| 10012B-2ZP | 12B-2ZP | 19,050 | 12,07 | 11,68 | 5,72 | 42,0 | 43,6 | 16,00 | 1,85 | 19,46 |
| 10016B-2ZP | 16B-2ZP | 25,400 | 15,88 | 17,02 | 8,28 | 68,0 | 69,3 | 21,00 | 4,15/3,1 | 31,88 |
| 10020B-2ZP | 20B-2ZP | 31,750 | 19,05 | 19,56 | 10,19 | 77,8 | 81,5 | 26,40 | 4,50/3,5 | 36,45 |
| 10024B-2ZP | 24B-2ZP | 38,100 | 25,40 | 25,40 | 14,63 | 101,7 | 106,2 | 33,20 | 6,00/4,8 | 48,36 |
| 10028B-2ZP | 28B-2ZP | 44,450 | 27,94 | 30,99 | 15,90 | 124,6 | 129,1 | 36,70 | 7,50/6,0 | 59,56 |
| 10032B-2ZP | 32B-2ZP | 50,800 | 29,21 | 30,99 | 17,81 | 124,6 | 129,6 | 42,00 | 7,00/6,0 | 58,55 |
| 10040B-2ZP | 40B-2ZP | 63,500 | 39,37 | 38,10 | 22,89 | 154,5 | 161,5 | 52,96 | 8,50/8,0 | 72,29 |
| 10048B-2ZP | 48B-2ZP | 76,200 | 48,26 | 45,72 | 29,24 | 190,4 | 198,2 | 63,80 | 12,00/10,0 | 91,21 |
| 10056B-2ZP | 56B-2ZP | 88,900 | 53,98 | 53,34 | 34,32 | 221,2 | 229,6 | 77,80 | 13,50/12,0 | 106,60 |
| 10064B-2ZP | 64B-2ZP | 101,600 | 63,50 | 60,96 | 39,40 | 249,9 | 258,4 | 90,17 | 15,00/13,0 | 119,89 |
| 10072B-2ZP | 72B-2ZP | 114,300 | 72,39 | 68,58 | 44,48 | 283,7 | 292,7 | 103,60 | 17,00/15,0 | 136,27 |

* Straight side plates



| Ultimate tensile strength | Average tensile strength | Weight per meter | Available chain parts | | | | |
|---------------------------|--------------------------|------------------|-----------------------|---|---|---|---|
| Q min | Q0 | q | E | S | L | C | A |
| kN/lbf | kN | kg/m | | | | | |
| 5,0/1124 | 6,1 | 0,23 | X | | X | X | X |
| 7,8/1773 | 10,2 | 0,33 | X | | X | X | X |
| 16,9/3841 | 18,7 | 0,77 | X | | X | X | X |
| 32,0/7273 | 38,7 | 1,34 | X | X | X | X | X |
| 44,5/10114 | 56,2 | 1,84 | X | X | X | X | X |
| 57,8/13136 | 66,1 | 2,31 | X | X | X | X | X |
| 106,0/24091 | 152,0 | 5,42 | X | X | X | X | X |
| 170,0/38636 | 229 | 7,20 | | X | X | | X |
| 280,0/63636 | 319,2 | 13,40 | | X | X | | X |
| 360,0/81818 | 406,8 | 16,60 | | X | X | | X |
| 450,0/102273 | 508,5 | 21,00 | | X | X | | X |
| 630,0/143182 | 711,9 | 32,00 | | X | X | | X |
| 1000,0/227272 | 1130,0 | 50,00 | | X | X | | X |
| 1600,0/363635 | 1760,0 | 71,48 | | X | X | | X |
| 2000,0/454544 | 2200,0 | 91,00 | | X | X | | X |
| 2500,0/568180 | 2750,0 | 120,40 | | X | X | | X |



Solution
range

Donghua Zinc Plated Roller Chains are developed to offer good wear and good corrosion resistance. For special applications we deliver the new developed ZinTek Coating on request. All Donghua roller chains are: Pre-loaded, Fatigue resistant, Wear resistant and Pre-lubricated. Donghua simplex, duplex and triplex roller chains are manufactured according to ISO 606 DIN8187, standard pre-loaded, pre-lubricated, do have seamless rollers and are marked with production batch code number for complete traceability. All Donghua roller chains are sealed in plastic bags and packed in cardboard boxes with clear ISO 606 DIN descriptions and safety instructions. Standard packaging size is 5 meter box, reels are available on request. Cut to length service is available on request. Several test certificates like breaking load, length tolerance and material analyses are possible and available on request. Rollers chains which are needed for 'run as pairs' applications can be matched as pairs on request. DIN, 1/2DIN and 1/3DIN length tolerance are possible, please ask us for a quotation. For high temperature, low temperature, food application or special environments different kind of special lubricants are available. Please ask our sales team for any special needs. For drive chain calculation and right dimension check, please contact our engineering department, also see drive chain calculation data sheet on page 301. By filling this data sheet and sending this to our engineering department you will receive a detailed drive chain calculation including life time expectation. Sprockets are available for all roller chains, with pilot bore, fixed bore, keyway, setscrew or bearing bore with grooves. Standard toothing, hardened toothing or special toothing are possible with pilot bore, fixed bore or taper bush. Chain tools, tensioners and chain lubricants please see page 302-310.

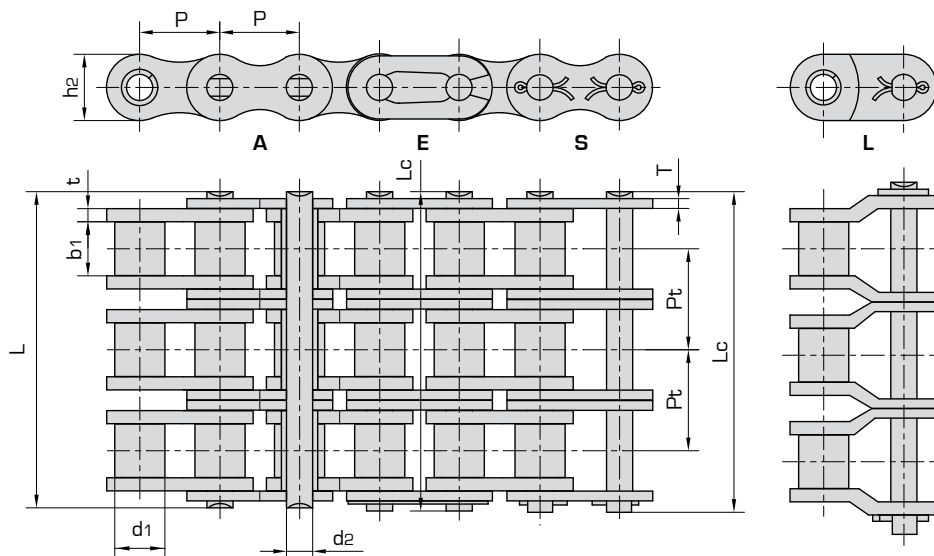
Short pitch precision roller chains (B series)

Zinc Plated

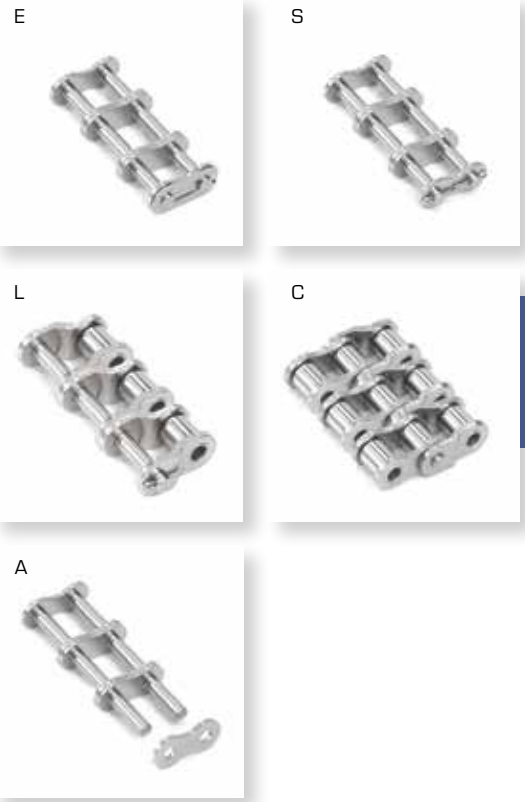
Triplex roller chains & bush chains

| Part nr. | DIN/ISO 606 Chain no. | Pitch | Roller diameter | Width between inner plates | Pin diameter | Pin length | Inner plate depth | Plate thickness | Transverse pitch | |
|------------|-----------------------|--------|-----------------|----------------------------|--------------|------------|-------------------|-----------------|------------------|--------|
| | | P | d1 max | b1 min | d2 max | L max | Lc max | h2 max | T max | Pt |
| | | mm | mm | mm | mm | mm | mm | mm | mm | mm |
| 10005B-3ZP | 05B-3ZP | 8,000 | 5,00 | 3,00 | 2,31 | 19,5 | 20,2 | 7,10 | 0,80 | 5,64 |
| 10006B-3ZP | *06B-3ZP | 9,525 | 6,35 | 5,72 | 3,28 | 33,5 | 34,6 | 8,20 | 1,30 | 10,24 |
| 10008B-3ZP | 08B-3ZP | 12,700 | 8,51 | 7,75 | 4,45 | 45,1 | 46,1 | 11,80 | 1,60 | 13,92 |
| 10010B-3ZP | 10B-3ZP | 15,875 | 10,16 | 9,65 | 5,08 | 52,7 | 54,1 | 14,70 | 1,70 | 16,59 |
| 10012B-3ZP | 12B-3ZP | 19,050 | 12,07 | 11,68 | 5,72 | 61,5 | 63,1 | 16,00 | 1,85 | 19,46 |
| 10016B-3ZP | 16B-3ZP | 25,400 | 15,88 | 17,02 | 8,28 | 99,8 | 101,2 | 21,00 | 4,15/3,1 | 31,88 |
| 10020B-3ZP | 20B-3ZP | 31,750 | 19,05 | 19,56 | 10,19 | 114,2 | 117,9 | 26,40 | 4,50/3,5 | 36,45 |
| 10024B-3ZP | 24B-3ZP | 38,100 | 25,40 | 25,40 | 14,63 | 150,1 | 154,6 | 33,20 | 6,00/4,8 | 48,36 |
| 10028B-3ZP | 28B-3ZP | 44,450 | 27,94 | 30,99 | 15,90 | 184,2 | 188,7 | 36,70 | 7,50/6,0 | 59,56 |
| 10032B-3ZP | 32B-3ZP | 50,800 | 29,21 | 30,99 | 17,81 | 183,2 | 188,2 | 42,00 | 7,00/6,0 | 58,55 |
| 10040B-3ZP | 40B-3ZP | 63,500 | 39,37 | 38,10 | 22,89 | 226,8 | 233,8 | 52,96 | 8,50/8,0 | 72,29 |
| 10048B-3ZP | 48B-3ZP | 76,200 | 48,26 | 45,72 | 29,24 | 281,6 | 289,4 | 63,80 | 12,00/10,0 | 91,21 |
| 10056B-3ZP | 56B-3ZP | 88,900 | 53,98 | 53,34 | 34,32 | 327,8 | 336,2 | 77,80 | 13,50/12,0 | 106,6 |
| 10064B-3ZP | 64B-3ZP | 101,60 | 63,50 | 60,96 | 39,40 | 369,8 | 378,3 | 90,17 | 15,00/13,0 | 119,89 |
| 10072B-3ZP | 72B-3ZP | 114,30 | 72,39 | 68,58 | 44,48 | 420,0 | 429,0 | 103,60 | 17,00/15,0 | 136,27 |

* Straight side plates



| Ultimate tensile strength | Average tensile strength | Weight per meter | Available chain parts | | | | |
|---------------------------|--------------------------|------------------|-----------------------|---|---|---|---|
| Q min | Q0 | q | E | S | L | C | A |
| kN/lbf | kN | kg/m | | | | | |
| 11,1/2523 | 13,8 | 0,48 | X | | X | X | X |
| 24,9/5659 | 30,1 | 1,16 | X | | X | X | X |
| 47,5/10795 | 57,8 | 2,03 | X | X | X | X | X |
| 66,7/15159 | 84,5 | 2,77 | X | X | X | X | X |
| 86,7/19705 | 101,8 | 3,46 | X | X | X | X | X |
| 160,0/36364 | 227,1 | 8,13 | X | X | X | X | X |
| 250,0/56818 | 334,3 | 10,82 | | X | X | | X |
| 425,0/96591 | 493,0 | 20,10 | | X | X | | X |
| 530,0/120454 | 609,5 | 24,92 | | X | X | | X |
| 670,0/152273 | 770,5 | 31,56 | | X | X | | X |
| 950,0/215909 | 1092,5 | 48,10 | | X | X | | X |
| 1500,0/340909 | 1710,0 | 75,00 | | X | X | | X |
| 2240,0/545450 | 2464,0 | 107,18 | | X | X | | X |
| 3000,0/681820 | 3300,0 | 136,00 | | X | X | | X |
| 3750,0/852270 | 4125,0 | 180,00 | | X | X | | X |



Solution range



Donghua Zinc Plated Roller Chains are developed to offer good wear and good corrosion resistance. For special applications we deliver the new developed ZinTek Coating on request. All Donghua roller chains are: Pre-loaded, Fatigue resistant, Wear resistant and Pre-lubricated. Donghua simplex, duplex and triplex roller chains are manufactured according to ISO 606 DIN8187, standard pre-loaded, pre-lubricated, do have seamless rollers and are marked with production batch code number for complete traceability. All Donghua roller chains are sealed in plastic bags and packed in cardboard boxes with clear ISO 606 DIN descriptions and safety instructions. Standard packaging size is 5 meter box, reels are available on request. Cut to length service is available on request. Several test certificates like breaking load, length tolerance and material analyses are possible and available on request. Rollers chains which are needed for 'run as pairs' applications can be matched as pairs on request. DIN, 1/2DIN and 1/3DIN length tolerance are possible, please ask us for a quotation. For high temperature, low temperature, food application or special environments different kind of special lubricants are available. Please ask our sales team for any special needs. For drive chain calculation and right dimension check, please contact our engineering department, also see drive chain calculation data sheet on page 301. By filling this data sheet and sending this to our engineering department you will receive a detailed drive chain calculation including life time expectation. Sprockets are available for all roller chains, with pilot bore, fixed bore, keyway, setscrew or bearing bore with grooves. Standard toothing, hardened toothing or special toothing are possible with pilot bore, fixed bore or taper bush. Chain tools, tensioners and chain lubricants please see page 302-310.

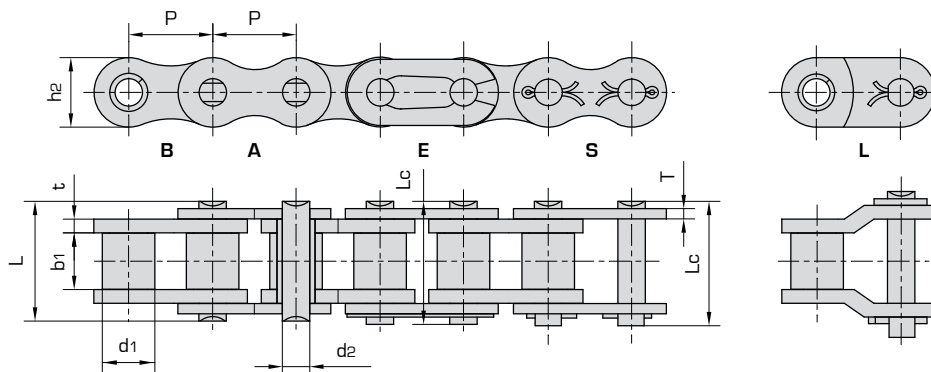
Short pitch precision roller chains (A series)

Zinc Plated

Simplex roller chains & bush chains

| Part nr. | DIN/ISO 606 Chain no. | ANSI Chain no. | Pitch | Roller | Width | Pin | Pin length | | Inner | Plate | |
|------------|--------------------------|-------------------|--------|----------|---------|----------|------------|--------|--------|-----------|----|
| | | | | diameter | between | diameter | | | plate | thickness | |
| | | | | | inner | | | | depth | | |
| | | | P | d1 max | b1 min | d2 max | L max | Lc max | h2 max | T max | |
| | | | mm | mm | mm | mm | mm | mm | mm | mm | mm |
| 10015-1ZP | *03C | *15 | 4,763 | 2,48 | 2,38 | 1,62 | 6,10 | 6,90 | 4,30 | 0,60 | |
| 10025-1ZP | *04C-1 | *25 | 6,350 | 3,30 | 3,18 | 2,31 | 7,90 | 8,40 | 6,00 | 0,80 | |
| 10035-1ZP | *06C-1 | *35 | 9,525 | 5,08 | 4,77 | 3,58 | 12,40 | 13,17 | 9,00 | 1,30 | |
| 10041-1ZP | 085-1 | 41 | 12,700 | 7,77 | 6,25 | 3,58 | 13,75 | 15,00 | 9,91 | 1,30 | |
| 10040-1ZP | 08A-1 | 40 | 12,700 | 7,95 | 7,85 | 3,96 | 16,60 | 17,80 | 12,00 | 1,50 | |
| 10050-1ZP | 10A-1 | 50 | 15,875 | 10,16 | 9,40 | 5,08 | 20,70 | 22,20 | 15,09 | 2,03 | |
| 10060-1ZP | 12A-1 | 60 | 19,050 | 11,91 | 12,57 | 5,94 | 25,90 | 27,70 | 18,00 | 2,42 | |
| 10080-1ZP | 16A-1 | 80 | 25,400 | 15,88 | 15,75 | 7,92 | 32,70 | 35,00 | 24,00 | 3,25 | |
| 100100-1ZP | 20A-1 | 100 | 31,750 | 19,05 | 18,90 | 9,53 | 40,40 | 44,70 | 30,00 | 4,00 | |
| 100120-1ZP | 24A-1 | 120 | 38,100 | 22,23 | 25,22 | 11,10 | 50,30 | 54,30 | 35,70 | 4,80 | |
| 100140-1ZP | 28A-1 | 140 | 44,450 | 25,40 | 25,22 | 12,70 | 54,40 | 59,00 | 41,00 | 5,60 | |
| 100160-1ZP | 32A-1 | 160 | 50,800 | 28,58 | 31,55 | 14,27 | 64,80 | 69,60 | 47,80 | 6,40 | |
| 100180-1ZP | 36A-1 | 180 | 57,150 | 35,71 | 35,48 | 17,46 | 72,80 | 78,60 | 53,60 | 7,20 | |
| 100200-1ZP | 40A-1 | 200 | 63,500 | 39,68 | 37,85 | 19,85 | 80,30 | 87,20 | 60,00 | 8,00 | |
| 100240-1ZP | 48A-1 | 240 | 76,200 | 47,63 | 47,35 | 23,81 | 95,50 | 103,00 | 72,39 | 9,50 | |

* Bush chain: d1 in the table indicates the external diameter of the bush.



| Ultimate tensile strength | Average tensile strength | Weight per meter | Available chain parts | | | | | |
|---------------------------|--------------------------|------------------|-----------------------|---|---|---|---|---|
| Q min | Q0 | q | E | S | L | C | A | B |
| kN/lbf | kN | kg/m | | | | | | |
| 1,80/409 | 5,0 | 0,08 | X | | | X | X | X |
| 3,50/795 | 11,3 | 0,15 | X | | | X | X | X |
| 7,90/1795 | 18,6 | 0,33 | X | | X | X | X | X |
| 6,67/1516 | 31,3 | 0,41 | X | | X | X | X | X |
| 14,10/3205 | 43,2 | 0,62 | X | | X | X | X | X |
| 22,20/5045 | 74,3 | 1,02 | X | | X | X | X | X |
| 31,80/7227 | 107,6 | 1,50 | X | | X | X | X | X |
| 56,70/12886 | 163,1 | 2,60 | X | | X | X | X | X |
| 88,50/20114 | 222,5 | 3,91 | | X | X | | X | X |
| 127,00/28864 | 266,9 | 5,62 | | X | X | | X | X |
| 172,40/39182 | 361,1 | 7,50 | | X | X | | X | X |
| 226,80/51545 | 466,8 | 10,10 | | X | X | | X | X |
| 280,20/63682 | 671,6 | 13,45 | | X | X | | X | X |
| 353,80/80409 | 431,6 | 16,15 | | X | X | | X | X |
| 510,30/115977 | 622,5 | 23,20 | | X | X | | X | X |



Solution Range



Donghua Zinc Plated Roller Chains are developed to offer good wear and good corrosion resistance. For special applications we deliver the new developed ZinTek Coating on request. All Donghua roller chains are: Pre-loaded, Fatigue resistant, Wear resistant and Pre-lubricated. Donghua simplex, duplex and triplex roller chains are manufactured according to ISO 606 DIN8187, standard pre-loaded, pre-lubricated, do have seamless rollers and are marked with production batch code number for complete traceability. All Donghua roller chains are sealed in plastic bags and packed in cardboard boxes with clear ISO 606 DIN descriptions and safety instructions. Standard packaging size is 5 meter box, reels are available on request. Cut to length service is available on request. Several test certificates like breaking load, length tolerance and material analyses are possible and available on request. Rollers chains which are needed for 'run as pairs' applications can be matched as pairs on request. DIN, 1/2DIN and 1/3DIN length tolerance are possible, please ask us for a quotation. For high temperature, low temperature, food application or special environments different kind of special lubricants are available. Please ask our sales team for any special needs. For drive chain calculation and right dimension check, please contact our engineering department, also see drive chain calculation data sheet on page 301. By filling this data sheet and sending this to our engineering department you will receive a detailed drive chain calculation including life time expectation. Sprockets are available for all roller chains, with pilot bore, fixed bore, keyway, setscrew or bearing bore with grooves. Standard toothing, hardened toothing or special toothing are possible with pilot bore, fixed bore or taper bush. Chain tools, tensioners and chain lubricants please see page 302-310.

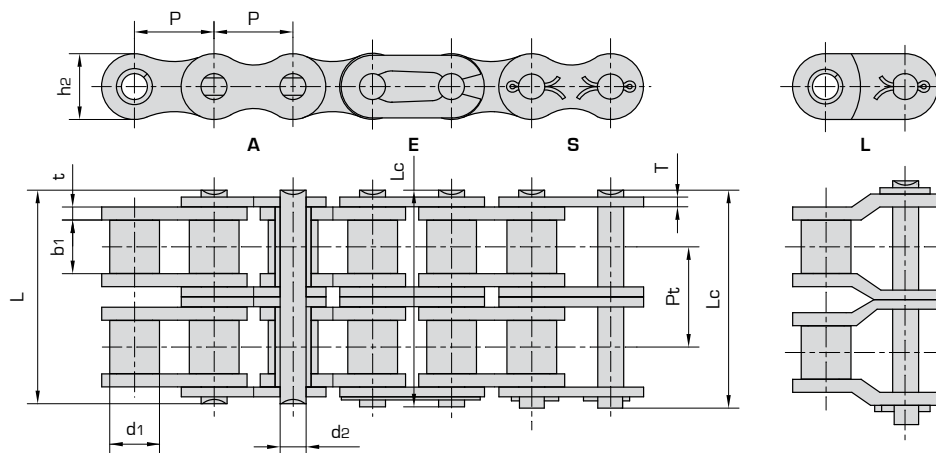
Short pitch precision roller chains (A series)

Zinc Plated

Duplex roller chains & bush chains

| Part nr. | DIN/ISO 606 Chain no. | ANSI Chain no. | Pitch | Roller diameter | Width between inner plates | Pin diameter | Pin length | | Inner plate depth | Plate thickness | Transverse pitch |
|------------|-----------------------|----------------|--------|-----------------|----------------------------|--------------|------------|--------|-------------------|-----------------|------------------|
| | | | | d1 max | b1 min | d2 max | L max | Lc max | h2 max | T max | |
| | | | | mm | mm | mm | mm | mm | mm | mm | |
| 10025-2ZP | *04C-2 | *25-2 | 6,350 | 3,30 | 3,18 | 2,31 | 14,5 | 15,0 | 6,00 | 0,80 | 6,40 |
| 10035-2ZP | *06C-2 | *35-2 | 9,525 | 5,08 | 4,77 | 3,58 | 22,5 | 23,3 | 9,00 | 1,30 | 10,13 |
| 10041-2ZP | 085-2 | 41-2 | 12,700 | 7,77 | 6,25 | 3,58 | 25,7 | 26,9 | 9,91 | 1,30 | 11,95 |
| 10040-2ZP | 08A-2 | 40-2 | 12,700 | 7,95 | 7,85 | 3,96 | 31,0 | 32,2 | 12,00 | 1,50 | 14,38 |
| 10050-2ZP | 10A-2 | 50-2 | 15,875 | 10,16 | 9,40 | 5,08 | 38,9 | 40,4 | 15,09 | 2,03 | 18,11 |
| 10060-2ZP | 12A-2 | 60-2 | 19,050 | 11,91 | 12,57 | 5,94 | 48,8 | 50,5 | 18,00 | 2,42 | 22,78 |
| 10080-2ZP | 16A-2 | 80-2 | 25,400 | 15,88 | 15,75 | 7,92 | 62,7 | 64,3 | 24,00 | 3,25 | 29,29 |
| 100100-2ZP | 20A-2 | 100-2 | 31,750 | 19,05 | 18,90 | 9,53 | 76,4 | 80,5 | 30,00 | 4,00 | 35,76 |
| 100120-2ZP | 24A-2 | 120-2 | 38,100 | 22,23 | 25,22 | 11,10 | 95,8 | 99,7 | 35,70 | 4,80 | 45,44 |
| 100140-2ZP | 28A-2 | 140-2 | 44,450 | 25,40 | 25,22 | 12,70 | 103,3 | 107,9 | 41,00 | 5,60 | 48,87 |
| 100160-2ZP | 32A-2 | 160-2 | 50,800 | 28,58 | 31,55 | 14,27 | 123,3 | 128,1 | 47,80 | 6,40 | 58,55 |
| 100180-2ZP | 36A-2 | 180-2 | 57,150 | 35,71 | 35,48 | 17,46 | 138,6 | 144,4 | 53,60 | 7,20 | 65,84 |
| 100200-2ZP | 40A-2 | 200-2 | 63,500 | 39,68 | 37,85 | 19,85 | 151,9 | 158,8 | 60,00 | 8,00 | 71,55 |
| 100240-2ZP | 48A-2 | 240-2 | 76,200 | 47,63 | 47,35 | 23,81 | 183,4 | 190,8 | 72,39 | 9,50 | 87,83 |

* Bush chain: d1 in the table indicates the external diameter of the bush.



| Ultimate tensile strength | Average tensile strength | Weight per meter | Available chain parts | | | | |
|---------------------------|--------------------------|------------------|-----------------------|---|---|---|---|
| Q min | Q0 | q | E | S | L | C | A |
| kN/lbf | kN | kg/m | | | | | |
| 7,00/1591 | 10,0 | 0,28 | X | | | X | X |
| 15,80/3591 | 22,3 | 0,63 | X | | | X | X |
| 13,34/3032 | 37,2 | 0,81 | X | | X | X | X |
| 28,20/6409 | 62,6 | 1,12 | X | | X | X | X |
| 44,40/10091 | 86,4 | 2,00 | X | | X | X | X |
| 63,60/14455 | 148,6 | 2,92 | X | | X | X | X |
| 113,40/25773 | 215,2 | 5,15 | X | | X | X | X |
| 177,00/40227 | 326,2 | 7,80 | | X | X | | X |
| 254,00/57727 | 445,0 | 11,70 | | X | X | | X |
| 344,80/78364 | 533,8 | 15,14 | | X | X | | X |
| 453,60/103091 | 722,2 | 20,14 | | X | X | | X |
| 560,50/127386 | 933,6 | 29,22 | | X | X | | X |
| 707,60/160818 | 1343,2 | 32,24 | | X | X | | X |
| 1020,60/213955 | 1255,3 | 45,23 | | X | X | | X |



Solution range

Donghua Zinc Plated Roller Chains are developed to offer good wear and good corrosion resistance. For special applications we deliver the new developed ZinTek Coating on request. All Donghua roller chains are: Pre-loaded, Fatigue resistant, Wear resistant and Pre-lubricated. Donghua simplex, duplex and triplex roller chains are manufactured according to ISO 606 DIN8187, standard pre-loaded, pre-lubricated, do have seamless rollers and are marked with production batch code number for complete traceability. All Donghua roller chains are sealed in plastic bags and packed in cardboard boxes with clear ISO 606 DIN descriptions and safety instructions. Standard packaging size is 5 meter box, reels are available on request. Cut to length service is available on request. Several test certificates like breaking load, length tolerance and material analyses are possible and available on request. Rollers chains which are needed for 'run as pairs' applications can be matched as pairs on request. DIN, 1/2DIN and 1/3DIN length tolerance are possible, please ask us for a quotation. For high temperature, low temperature, food application or special environments different kind of special lubricants are available. Please ask our sales team for any special needs. For drive chain calculation and right dimension check, please contact our engineering department, also see drive chain calculation data sheet on page 301. By filling this data sheet and sending this to our engineering department you will receive a detailed drive chain calculation including life time expectation. Sprockets are available for all roller chains, with pilot bore, fixed bore, keyway, setscrew or bearing bore with grooves. Standard toothing, hardened toothing or special toothing are possible with pilot bore, fixed bore or taper bush. Chain tools, tensioners and chain lubricants please see page 302-310.

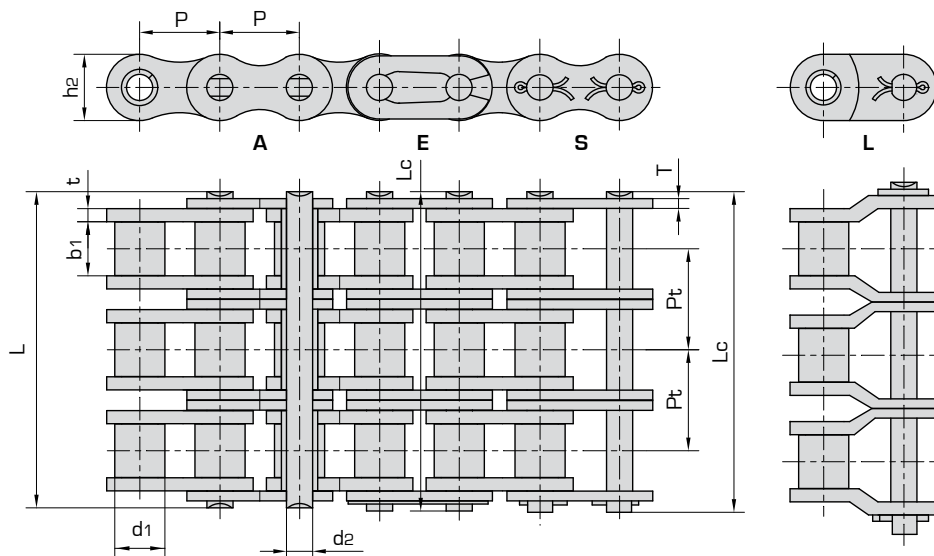
Short pitch precision roller chains (A series)

Zinc Plated

Triplex roller chains & bush chains

| Part nr. | DIN/ISO 606 Chain no. | ANSI Chain no. | Pitch | Roller | Width | Pin | Pin length | | Inner | Plate | Transverse pitch |
|------------|--------------------------|-------------------|--------|----------|---------|----------|------------|--------|--------|-----------|---------------------|
| | | | | diameter | between | diameter | L max | Lc max | plate | thickness | |
| | | | | d1 max | inner | d2 max | mm | mm | depth | mm | |
| | | | P | d1 max | b1 min | d2 max | L max | Lc max | h2 max | T max | |
| | | | mm | mm | mm | mm | mm | mm | mm | mm | mm |
| 10025-3ZP | *04C-3 | *25-3 | 6,350 | 3,30 | 3,18 | 2,31 | 21,0 | 21,5 | 6,00 | 0,80 | 6,40 |
| 10035-3ZP | *06C-3 | *35-3 | 9,525 | 5,08 | 4,77 | 3,58 | 32,7 | 33,5 | 9,00 | 1,30 | 10,13 |
| 10040-3ZP | 08A-3 | 40-3 | 12,700 | 7,95 | 7,85 | 3,96 | 45,4 | 46,6 | 12,00 | 1,50 | 14,38 |
| 10050-3ZP | 10A-3 | 50-3 | 15,875 | 10,16 | 9,40 | 5,08 | 57,0 | 58,5 | 15,09 | 2,03 | 18,11 |
| 10060-3ZP | 12A-3 | 60-3 | 19,050 | 11,91 | 12,57 | 5,94 | 71,5 | 73,3 | 18,00 | 2,42 | 22,78 |
| 10080-3ZP | 16A-3 | 80-3 | 25,400 | 15,88 | 15,75 | 7,92 | 91,7 | 93,6 | 24,00 | 3,25 | 29,29 |
| 100100-3ZP | 20A-3 | 100-3 | 31,750 | 19,05 | 18,90 | 9,53 | 112,2 | 116,3 | 30,00 | 4,00 | 35,76 |
| 100120-3ZP | 24A-3 | 120-3 | 38,100 | 22,23 | 25,22 | 11,10 | 141,4 | 145,2 | 35,70 | 4,80 | 45,44 |
| 100140-3ZP | 28A-3 | 140-3 | 44,450 | 25,40 | 25,22 | 12,70 | 152,2 | 156,8 | 41,00 | 5,60 | 48,87 |
| 100160-3ZP | 32A-3 | 160-3 | 50,800 | 28,58 | 31,55 | 14,27 | 181,8 | 186,6 | 47,80 | 6,40 | 58,55 |
| 100180-3ZP | 36A-3 | 180-3 | 57,150 | 35,71 | 35,48 | 17,46 | 204,4 | 210,2 | 53,60 | 7,20 | 65,84 |
| 100200-3ZP | 40A-3 | 200-3 | 63,500 | 39,68 | 37,85 | 19,85 | 223,5 | 230,4 | 60,00 | 8,00 | 71,55 |
| 100240-3ZP | 48A-3 | 240-3 | 76,200 | 47,63 | 47,35 | 23,81 | 271,3 | 278,6 | 72,39 | 9,50 | 87,83 |

* Bush chain: d1 in the table indicates the external diameter of the bush.



| Ultimate tensile strength | Average tensile strength | Weight per meter | Available chain parts | | | | |
|---------------------------|--------------------------|------------------|-----------------------|---|---|---|---|
| Q min | Q0 | q | E | S | L | C | A |
| kN/lbf | kN | kg/m | | | | | |
| 10,5/2386 | 15,0 | 0,44 | X | | | X | X |
| 23,7/5386 | 33,9 | 1,05 | X | | | X | X |
| 42,3/9614 | 55,8 | 1,90 | X | | X | | X |
| 66,6/15136 | 93,9 | 3,09 | X | | X | | X |
| 95,4/21682 | 129,6 | 4,54 | X | | X | | X |
| 170,1/38659 | 222,9 | 7,89 | X | | X | | X |
| 265,5/60341 | 322,8 | 11,77 | | X | X | | X |
| 381,0/86591 | 489,3 | 17,53 | | X | X | | X |
| 517,2/117545 | 667,5 | 22,20 | | X | X | | X |
| 680,4/154636 | 800,7 | 30,02 | | X | X | | X |
| 840,7/191068 | 1083,3 | 38,22 | | X | X | | X |
| 1061,4/241227 | 1400,4 | 49,03 | | X | X | | X |
| 1530,9/347932 | 2014,8 | 71,60 | | X | X | | X |



Solution
range



Donghua Zinc Plated Roller Chains are developed to offer good wear and good corrosion resistance. For special applications we deliver the new developed ZinTek Coating on request. All Donghua roller chains are: Pre-loaded, Fatigue resistant, Wear resistant and Pre-lubricated. Donghua simplex, duplex and triplex roller chains are manufactured according to ISO 606 DIN8187, standard pre-loaded, pre-lubricated, do have seamless rollers and are marked with production batch code number for complete traceability. All Donghua roller chains are sealed in plastic bags and packed in cardboard boxes with clear ISO 606 DIN descriptions and safety instructions. Standard packaging size is 5 meter box, reels are available on request. Cut to length service is available on request. Several test certificates like breaking load, length tolerance and material analyses are possible and available on request. Rollers chains which are needed for 'run as pairs' applications can be matched as pairs on request. DIN, 1/2DIN and 1/3DIN length tolerance are possible, please ask us for a quotation. For high temperature, low temperature, food application or special environments different kind of special lubricants are available. Please ask our sales team for any special needs. For drive chain calculation and right dimension check, please contact our engineering department, also see drive chain calculation data sheet on page 301. By filling this data sheet and sending this to our engineering department you will receive a detailed drive chain calculation including life time expectation. Sprockets are available for all roller chains, with pilot bore, fixed bore, keyway, setscrew or bearing bore with grooves. Standard toothing, hardened toothing or special toothing are possible with pilot bore, fixed bore or taper bush. Chain tools, tensioners and chain lubricants please see page 302-310.

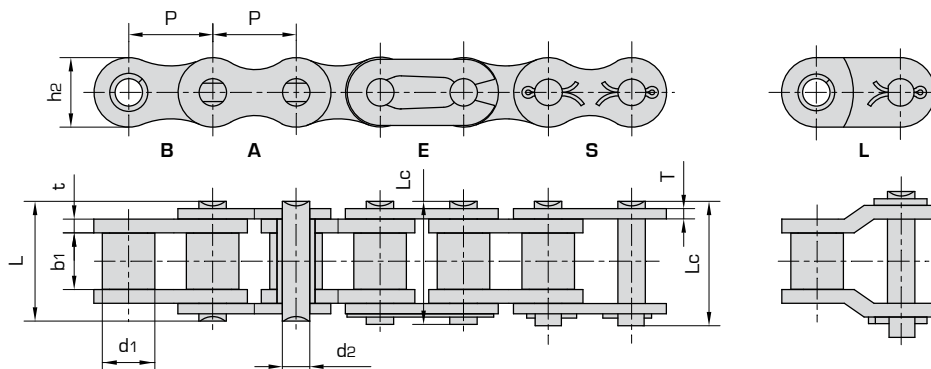
Short pitch precision roller chains (B series)

ZT Plated (ZinTek)

Simplex roller chains

| Part nr. | DIN/ISO 606 Chain no. | Pitch | Roller diameter | Width between inner plates | Pin diameter | Pin length | | Inner plate depth | Plate thickness |
|------------|-----------------------|---------|-----------------|----------------------------|--------------|------------|--------|-------------------|-----------------|
| | | P | d1 max | b1 min | d2 max | L max | Lc max | h2 max | T max |
| | | mm | mm | mm | mm | mm | mm | mm | mm |
| 10004B-1ZT | 04B-1ZT | 6,000 | 4,00 | 2,80 | 1,85 | 6,80 | 7,8 | 5,00 | 0,60 |
| 10005B-1ZT | 05B-1ZT | 8,000 | 5,00 | 3,00 | 2,31 | 8,20 | 8,9 | 7,10 | 0,80 |
| 10006B-1ZT | *06B-1ZT | 9,525 | 6,35 | 5,72 | 3,28 | 13,15 | 14,1 | 8,20 | 1,30 |
| 10008B-1ZT | 08B-1ZT | 12,700 | 8,51 | 7,75 | 4,45 | 16,70 | 18,2 | 11,80 | 1,60 |
| 10010B-1ZT | 10B-1ZT | 15,875 | 10,16 | 9,65 | 5,08 | 19,50 | 20,9 | 14,70 | 1,70 |
| 10012B-1ZT | 12B-1ZT | 19,050 | 12,07 | 11,68 | 5,72 | 22,50 | 24,2 | 16,00 | 1,85 |
| 10016B-1ZT | 16B-1ZT | 25,400 | 15,88 | 17,02 | 8,28 | 36,10 | 37,4 | 21,00 | 4,15/3,1 |
| 10020B-1ZT | 20B-1ZT | 31,750 | 19,05 | 19,56 | 10,19 | 41,30 | 45,0 | 26,40 | 4,50/3,5 |
| 10024B-1ZT | 24B-1ZT | 38,100 | 25,40 | 25,40 | 14,63 | 53,40 | 57,8 | 33,20 | 6,00/4,8 |
| 10028B-1ZT | 28B-1ZT | 44,450 | 27,94 | 30,99 | 15,90 | 65,10 | 69,5 | 36,70 | 7,50/6,0 |
| 10032B-1ZT | 32B-1ZT | 50,800 | 29,21 | 30,99 | 17,81 | 66,00 | 71,0 | 42,00 | 7,00/6,0 |
| 10040B-1ZT | 40B-1ZT | 63,500 | 39,37 | 38,10 | 22,89 | 82,20 | 89,2 | 52,96 | 8,50/8,0 |
| 10048B-1ZT | 48B-1ZT | 76,200 | 48,26 | 45,72 | 29,24 | 99,10 | 107,0 | 63,80 | 12,00/10,0 |
| 10056B-1ZT | 56B-1ZT | 88,900 | 53,98 | 53,34 | 34,32 | 114,60 | 123,0 | 77,80 | 13,50/12,0 |
| 10064B-1ZT | 64B-1ZT | 101,600 | 63,50 | 60,96 | 39,40 | 130,00 | 138,5 | 90,17 | 15,00/13,0 |
| 10072B-1ZT | 72B-1ZT | 114,300 | 72,39 | 68,58 | 44,48 | 147,40 | 156,4 | 103,60 | 17,00/15,0 |

* Straight side plates



| Ultimate tensile strength | Average tensile strength | Weight per meter | Available chain parts | | | | | |
|---------------------------|--------------------------|------------------|-----------------------|---|---|---|---|---|
| Q min | Q0 | q | E | S | L | C | A | B |
| kN/lbf | kN | kg/m | | | | | | |
| 3,0/682 | 3,2 | 0,11 | X | | X | | X | |
| 5,0/1136 | 5,9 | 0,20 | X | | X | | X | |
| 9,0/2045 | 10,4 | 0,41 | X | | X | | X | |
| 18,0/4091 | 19,4 | 0,69 | X | | X | | X | |
| 22,4/5091 | 27,5 | 0,93 | X | | X | | X | |
| 29,0/6591 | 32,2 | 1,15 | X | | X | | X | |
| 60,0/13636 | 77,1 | 2,71 | X | | X | | X | |
| 95,0/21591 | 112,8 | 3,70 | X | | X | | X | |
| 160,0/36364 | 178,0 | 7,10 | | | X | | X | |
| 200,0/45455 | 236,4 | 8,50 | | | X | | X | |
| 250,0/56818 | 277,5 | 10,25 | | | X | | X | |
| 355,0/80682 | 394,0 | 16,35 | | | X | | X | |
| 560,0/127272 | 621,6 | 25,00 | | | X | | X | |
| 850,0/193180 | 940,0 | 35,78 | | | X | | X | |
| 1120,0/254544 | 1240,0 | 46,00 | | | X | | X | |
| 1400,0/318180 | 1550,0 | 60,80 | | | X | | X | |



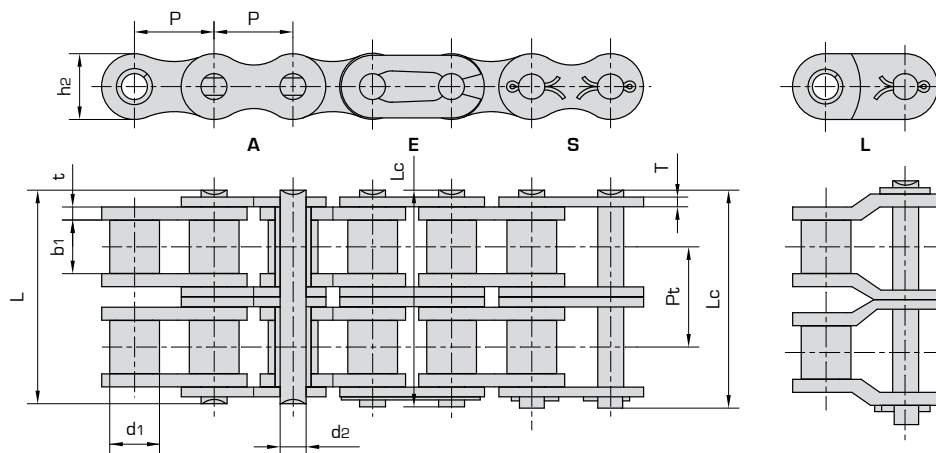
Donghua ZT coated roller chains are coated by a zinc aluminium compound. This coating is also known as Zintek coating layer and is used with many different steel product to protect the steel product from corrosion. This ZT coating has proven to have extremely high corrosion resistance. Even compared to zinc plating or nickel plating which are standard finish treatments used for roller chains and conveyor chain, this ZT coating gives a better corrosion protection in many corrosive environments. All Donghua roller chains are: Pre-loaded, Fatigue resistant, Wear resistant and Pre-lubricated. Donghua simplex, duplex and triplex roller chains are manufactured according to ISO 606 DIN8187, standard pre-loaded, pre-lubricated, do have seamless rollers and are marked with production batch code number for complete traceability. All Donghua roller chains are sealed in plastic bags and packed in cardboard boxes with clear ISO 606 DIN descriptions and safety instructions. Standard packaging size is 5 meter box, reels are available on request. Cut to length service is available on request. Several test certificates like breaking load, length tolerance and material analyses are possible and available on request. Rollers chains which are needed for 'run as pairs' applications can be matched as pairs on request. DIN, 1/2DIN and 1/3DIN length tolerance are possible, please ask us for a quotation. For high temperature, low temperature, food application or special environments different kind of special lubricants are available. Please ask our sales team for any special needs. For drive chain calculation and right dimension check, please contact our engineering department, also see drive chain calculation data sheet on page 301. By filling this data sheet and sending this to our engineering department you will receive a detailed drive chain calculation including life time expectation. Sprockets are available for all roller chains, with pilot bore, fixed bore, keyway, setscrew or bearing bore with grooves. Standard toothing, hardened toothing or special toothing are possible with pilot bore, fixed bore or taper bush. Chain tools, tensioners and chain lubricants please see page 302-310.

Short pitch precision roller chains (B series) ZT Plated (ZinTek)

Duplex roller chains

| Part nr. | DIN/ISO 606 Chain no. | Pitch | Roller diameter | Width between inner plates | Pin diameter | Pin length | Inner plate depth | Plate thickness | Transverse pitch | |
|------------|-----------------------|---------|-----------------|----------------------------|--------------|------------|-------------------|-----------------|------------------|--------|
| | | P | d1 max | b1 min | d2 max | L max | Lc max | h2 max | T max | Pt |
| | | mm | mm | mm | mm | mm | mm | mm | mm | mm |
| 10004B-2ZT | 04B-2ZT | 6,000 | 4,00 | 2,80 | 1,85 | 13,2 | 14,2 | 5,00 | 0,60 | 5,50 |
| 10005B-2ZT | 05B-2ZT | 8,000 | 5,00 | 3,00 | 2,31 | 13,9 | 14,5 | 7,10 | 0,80 | 5,64 |
| 10006B-2ZT | *06B-2ZT | 9,525 | 6,35 | 5,72 | 3,28 | 23,4 | 24,4 | 8,20 | 1,30 | 10,24 |
| 10008B-2ZT | 08B-2ZT | 12,700 | 8,51 | 7,75 | 4,45 | 31,0 | 32,2 | 11,80 | 1,60 | 13,92 |
| 10010B-2ZT | 10B-2ZT | 15,875 | 10,16 | 9,65 | 5,08 | 36,1 | 37,5 | 14,70 | 1,70 | 16,59 |
| 10012B-2ZT | 12B-2ZT | 19,050 | 12,07 | 11,68 | 5,72 | 42,0 | 43,6 | 16,00 | 1,85 | 19,46 |
| 10016B-2ZT | 16B-2ZT | 25,400 | 15,88 | 17,02 | 8,28 | 68,0 | 69,3 | 21,00 | 4,15/3,1 | 31,88 |
| 10020B-2ZT | 20B-2ZT | 31,750 | 19,05 | 19,56 | 10,19 | 77,8 | 81,5 | 26,40 | 4,50/3,5 | 36,45 |
| 10024B-2ZT | 24B-2ZT | 38,100 | 25,40 | 25,40 | 14,63 | 101,7 | 106,2 | 33,20 | 6,00/4,8 | 48,36 |
| 10028B-2ZT | 28B-2ZT | 44,450 | 27,94 | 30,99 | 15,90 | 124,6 | 129,1 | 36,70 | 7,50/6,0 | 59,56 |
| 10032B-2ZT | 32B-2ZT | 50,800 | 29,21 | 30,99 | 17,81 | 124,6 | 129,6 | 42,00 | 7,00/6,0 | 58,55 |
| 10040B-2ZT | 40B-2ZT | 63,500 | 39,37 | 38,10 | 22,89 | 154,5 | 161,5 | 52,96 | 8,50/8,0 | 72,29 |
| 10048B-2ZT | 48B-2ZT | 76,200 | 48,26 | 45,72 | 29,24 | 190,4 | 198,2 | 63,80 | 12,00/10,0 | 91,21 |
| 10056B-2ZT | 56B-2ZT | 88,900 | 53,98 | 53,34 | 34,32 | 221,2 | 229,6 | 77,80 | 13,50/12,0 | 106,60 |
| 10064B-2ZT | 64B-2ZT | 101,600 | 63,50 | 60,96 | 39,40 | 249,9 | 258,4 | 90,17 | 15,00/13,0 | 119,89 |
| 10072B-2ZT | 72B-2ZT | 114,300 | 72,39 | 68,58 | 44,48 | 283,7 | 292,7 | 103,60 | 17,00/15,0 | 136,27 |

* Straight side plates



| Ultimate tensile strength | Average tensile strength | Weight per meter | Available chain parts | | | | |
|---------------------------|--------------------------|------------------|-----------------------|---|---|---|---|
| Q min | Q0 | q | E | S | L | C | A |
| kN/lbf | kN | kg/m | | | | | |
| 5,0/1124 | 6,10 | 0,23 | X | | X | | X |
| 7,8/1773 | 10,2 | 0,33 | X | | X | | X |
| 16,9/3841 | 18,7 | 0,77 | X | | X | | X |
| 32,0/7273 | 38,7 | 1,34 | X | | X | | X |
| 44,5/10114 | 56,2 | 1,84 | X | | X | | X |
| 57,8/13136 | 66,1 | 2,31 | X | | X | | X |
| 106,0/24091 | 152,0 | 5,42 | X | | X | | X |
| 170,0/38636 | 229 | 7,20 | | | X | | X |
| 280,0/63636 | 319,2 | 13,40 | | | X | | X |
| 360,0/81818 | 406,8 | 16,60 | | | X | | X |
| 450,0/102273 | 508,5 | 21,00 | | | X | | X |
| 630,0/143182 | 711,9 | 32,00 | | | X | | X |
| 1000,0/227272 | 1130,0 | 50,00 | | | X | | X |
| 1600,0/363635 | 1760,0 | 71,48 | | | X | | X |
| 2000,0/454544 | 2200,0 | 91,00 | | | X | | X |
| 2500,0/568180 | 2750,0 | 120,40 | | | X | | X |



Donghua ZT coated roller chains are coated by a zinc aluminium compound. This coating is also known as Zintek coating layer and is used with many different steel product to protect the steel product from corrosion. This ZT coating has proven to have extremely high corrosion resistance. Even compared to zinc plating or nickel plating which are standard finish treatments used for roller chains and conveyor chain, this ZT coating gives a better corrosion protection in many corrosive environments. All Donghua roller chains are: Pre-loaded, Fatigue resistant, Wear resistant and Pre-lubricated. Donghua simplex, duplex and triplex roller chains are manufactured according to ISO 606 DIN8187, standard pre-loaded, pre-lubricated, do have seamless rollers and are marked with production batch code number for complete traceability. All Donghua roller chains are sealed in plastic bags and packed in cardboard boxes with clear ISO 606 DIN descriptions and safety instructions. Standard packaging size is 5 meter box, reels are available on request. Cut to length service is available on request. Several test certificates like breaking load, length tolerance and material analyses are possible and available on request. Rollers chains which are needed for 'run as pairs' applications can be matched as pairs on request. DIN, 1/2DIN and 1/3DIN length tolerance are possible, please ask us for a quotation. For high temperature, low temperature, food application or special environments different kind of special lubricants are available. Please ask our sales team for any special needs. For drive chain calculation and right dimension check, please contact our engineering department, also see drive chain calculation data sheet on page 301. By filling this data sheet and sending this to our engineering department you will receive a detailed drive chain calculation including life time expectation. Sprockets are available for all roller chains, with pilot bore, fixed bore, keyway, setscrew or bearing bore with grooves. Standard toothing, hardened toothing or special toothing are possible with pilot bore, fixed bore or taper bush. Chain tools, tensioners and chain lubricants please see page 302-310.

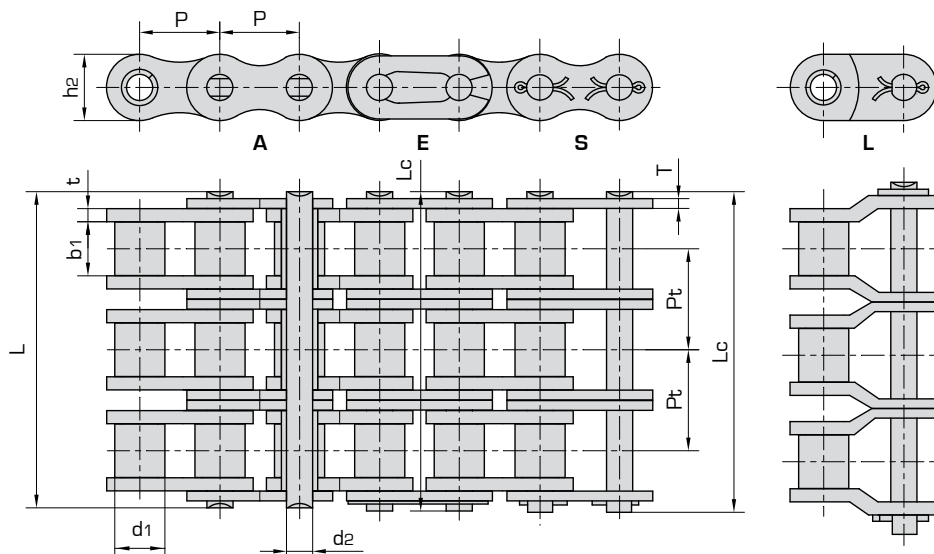
Solution
range

Short pitch precision roller chains (B series) ZT Plated (ZinTek)

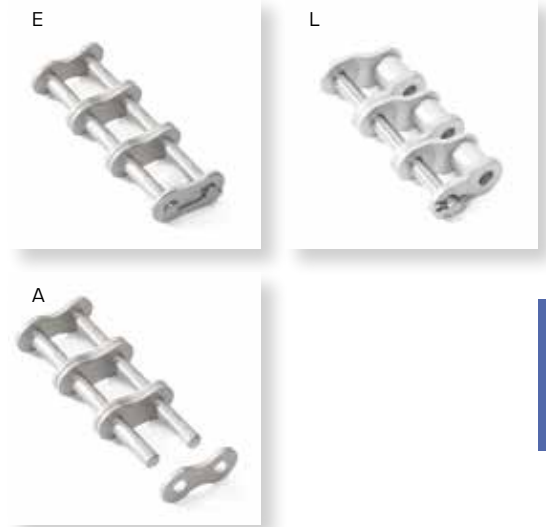
Triplex roller chains

| Part nr. | DIN/ISO 606 Chain no. | Pitch | Roller diameter | Width between inner plates | Pin diameter | Pin length | Inner plate depth | Plate thickness | Transverse pitch | |
|------------|-----------------------|--------|-----------------|----------------------------|--------------|------------|-------------------|-----------------|------------------|--------|
| | | P | d1 max | b1 min | d2 max | L max | Lc max | h2 max | T max | Pt |
| | | mm | mm | mm | mm | mm | mm | mm | mm | mm |
| 10005B-3ZT | 05B-3ZT | 8,000 | 5,00 | 3,00 | 2,31 | 19,5 | 20,2 | 7,10 | 0,80 | 5,64 |
| 10006B-3ZT | *06B-3ZT | 9,525 | 6,35 | 5,72 | 3,28 | 33,5 | 34,6 | 8,20 | 1,30 | 10,24 |
| 10008B-3ZT | 08B-3ZT | 12,700 | 8,51 | 7,75 | 4,45 | 45,1 | 46,1 | 11,80 | 1,60 | 13,92 |
| 10010B-3ZT | 10B-3ZT | 15,875 | 10,16 | 9,65 | 5,08 | 52,7 | 54,1 | 14,70 | 1,70 | 16,59 |
| 10012B-3ZT | 12B-3ZT | 19,050 | 12,07 | 11,68 | 5,72 | 61,5 | 63,1 | 16,00 | 1,85 | 19,46 |
| 10016B-3ZT | 16B-3ZT | 25,400 | 15,88 | 17,02 | 8,28 | 99,8 | 101,2 | 21,00 | 4,15/3,1 | 31,88 |
| 10020B-3ZT | 20B-3ZT | 31,750 | 19,05 | 19,56 | 10,19 | 114,2 | 117,9 | 26,40 | 4,50/3,5 | 36,45 |
| 10024B-3ZT | 24B-3ZT | 38,100 | 25,40 | 25,40 | 14,63 | 150,1 | 154,6 | 33,20 | 6,00/4,8 | 48,36 |
| 10028B-3ZT | 28B-3ZT | 44,450 | 27,94 | 30,99 | 15,90 | 184,2 | 188,7 | 36,70 | 7,50/6,0 | 59,56 |
| 10032B-3ZT | 32B-3ZT | 50,800 | 29,21 | 30,99 | 17,81 | 183,2 | 188,2 | 42,00 | 7,00/6,0 | 58,55 |
| 10040B-3ZT | 40B-3ZT | 63,500 | 39,37 | 38,10 | 22,89 | 226,8 | 233,8 | 52,96 | 8,50/8,0 | 72,29 |
| 10048B-3ZT | 48B-3ZT | 76,200 | 48,26 | 45,72 | 29,24 | 281,6 | 289,4 | 63,80 | 12,00/10,0 | 91,21 |
| 10056B-3ZT | 56B-3ZT | 88,900 | 53,98 | 53,34 | 34,32 | 327,8 | 336,2 | 77,80 | 13,50/12,0 | 106,6 |
| 10064B-3ZT | 64B-3ZT | 101,60 | 63,50 | 60,96 | 39,40 | 369,8 | 378,3 | 90,17 | 15,00/13,0 | 119,89 |
| 10072B-3ZT | 72B-3ZT | 114,30 | 72,39 | 68,58 | 44,48 | 420,0 | 429,0 | 103,60 | 17,00/15,0 | 136,27 |

* Straight side plates



| Ultimate tensile strength | Average tensile strength | Weight per meter | Available chain parts | | | | |
|---------------------------|--------------------------|------------------|-----------------------|---|---|---|---|
| Q min | Q0 | q | E | S | L | C | A |
| kN/lbf | kN | kg/m | | | | | |
| 11,1/2523 | 13,8 | 0,48 | X | | X | | X |
| 24,9/5659 | 30,1 | 1,16 | X | | X | | X |
| 47,5/10795 | 57,8 | 2,03 | X | | X | | X |
| 66,7/15159 | 84,5 | 2,77 | X | | X | | X |
| 86,7/19705 | 101,8 | 3,46 | X | | X | | X |
| 160,0/36364 | 227,1 | 8,13 | X | | X | | X |
| 250,0/56818 | 334,3 | 10,82 | | | X | | X |
| 425,0/96591 | 493,0 | 20,10 | | | X | | X |
| 530,0/120454 | 609,5 | 24,92 | | | X | | X |
| 670,0/152273 | 770,5 | 31,56 | | | X | | X |
| 950,0/215909 | 1092,5 | 48,10 | | | X | | X |
| 1500,0/340909 | 1710,0 | 75,00 | | | X | | X |
| 2240,0/545450 | 2464,0 | 107,18 | | | X | | X |
| 3000,0/681820 | 3300,0 | 136,00 | | | X | | X |
| 3750,0/852270 | 4125,0 | 180,00 | | | X | | X |



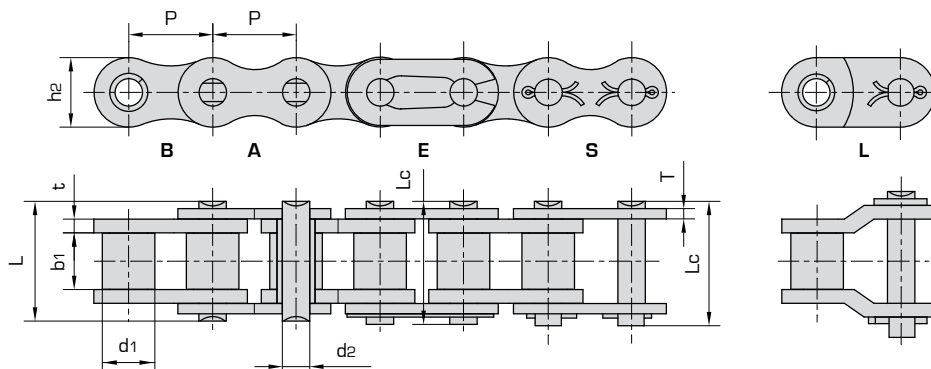
Donghua ZT coated roller chains are coated by a zinc aluminium compound. This coating is also known as Zintek coating layer and is used with many different steel product to protect the steel product from corrosion. This ZT coating has proven to have extremely high corrosion resistance. Even compared to zinc plating or nickel plating which are standard finish treatments used for roller chains and conveyor chain, this ZT coating gives a better corrosion protection in many corrosive environments. All Donghua roller chains are: Pre-loaded, Fatigue resistant, Wear resistant and Pre-lubricated. Donghua simplex, duplex and triplex roller chains are manufactured according to ISO 606 DIN8187, standard pre-loaded, pre-lubricated, do have seamless rollers and are marked with production batch code number for complete traceability. All Donghua roller chains are sealed in plastic bags and packed in cardboard boxes with clear ISO 606 DIN descriptions and safety instructions. Standard packaging size is 5 meter box, reels are available on request. Cut to length service is available on request. Several test certificates like breaking load, length tolerance and material analyses are possible and available on request. Rollers chains which are needed for 'run as pairs' applications can be matched as pairs on request. DIN, 1/2DIN and 1/3DIN length tolerance are possible, please ask us for a quotation. For high temperature, low temperature, food application or special environments different kind of special lubricants are available. Please ask our sales team for any special needs. For drive chain calculation and right dimension check, please contact our engineering department, also see drive chain calculation data sheet on page 301. By filling this data sheet and sending this to our engineering department you will receive a detailed drive chain calculation including life time expectation. Sprockets are available for all roller chains, with pilot bore, fixed bore, keyway, setscrew or bearing bore with grooves. Standard toothing, hardened toothing or special toothing are possible with pilot bore, fixed bore or taper bush. Chain tools, tensioners and chain lubricants please see page 302-310.

Short pitch precision roller chains (A series) ZT Plated (Zintek)

Simplex roller chains & bush chains

| Part nr. | DIN/ISO 606 Chain no. | ANSI Chain no. | Pitch | Roller | Width | Pin | Pin length | | Inner | Plate | |
|------------|--------------------------|-------------------|--------|----------|---------|----------|------------|--------|-------|-----------|----|
| | | | | diameter | between | diameter | L max | Lc max | plate | thickness | |
| | | | | d1 max | inner | d2 max | mm | mm | depth | mm | |
| | | | P | b1 min | d2 max | L max | Lc max | h2 max | T max | | |
| | | | mm | mm | mm | mm | mm | mm | mm | mm | mm |
| 10025-1ZT | *04C-1 | *25 | 6,350 | 3,30 | 3,18 | 2,31 | 7,90 | 8,40 | 6,00 | 0,80 | |
| 10035-1ZT | *06C-1 | *35 | 9,525 | 5,08 | 4,77 | 3,58 | 12,40 | 13,17 | 9,00 | 1,30 | |
| 10041-1ZT | 085-1 | 41 | 12,700 | 7,77 | 6,25 | 3,58 | 13,75 | 15,00 | 9,91 | 1,30 | |
| 10040-1ZT | 08A-1 | 40 | 12,700 | 7,95 | 7,85 | 3,96 | 16,60 | 17,80 | 12,00 | 1,50 | |
| 10050-1ZT | 10A-1 | 50 | 15,875 | 10,16 | 9,40 | 5,08 | 20,70 | 22,20 | 15,09 | 2,03 | |
| 10060-1ZT | 12A-1 | 60 | 19,050 | 11,91 | 12,57 | 5,94 | 25,90 | 27,70 | 18,00 | 2,42 | |
| 10080-1ZT | 16A-1 | 80 | 25,400 | 15,88 | 15,75 | 7,92 | 32,70 | 35,00 | 24,00 | 3,25 | |
| 100100-1ZT | 20A-1 | 100 | 31,750 | 19,05 | 18,90 | 9,53 | 40,40 | 44,70 | 30,00 | 4,00 | |
| 100120-1ZT | 24A-1 | 120 | 38,100 | 22,23 | 25,22 | 11,10 | 50,30 | 54,30 | 35,70 | 4,80 | |
| 100140-1ZT | 28A-1 | 140 | 44,450 | 25,40 | 25,22 | 12,70 | 54,40 | 59,00 | 41,00 | 5,60 | |
| 100160-1ZT | 32A-1 | 160 | 50,800 | 28,58 | 31,55 | 14,27 | 64,80 | 69,60 | 47,80 | 6,40 | |
| 100180-1ZT | 36A-1 | 180 | 57,150 | 35,71 | 35,48 | 17,46 | 72,80 | 78,60 | 53,60 | 7,20 | |
| 100200-1ZT | 40A-1 | 200 | 63,500 | 39,68 | 37,85 | 19,85 | 80,30 | 87,20 | 60,00 | 8,00 | |
| 100240-1ZT | 48A-1 | 240 | 76,200 | 47,63 | 47,35 | 23,81 | 95,50 | 103,00 | 72,39 | 9,50 | |

* Bush chain: d1 in the table indicates the external diameter of the bush.



| Ultimate tensile strength | Average tensile strength | Weight per meter | Available chain parts | | | | | |
|---------------------------|--------------------------|------------------|-----------------------|---|---|---|---|---|
| Q min | Q0 | q | E | S | L | C | A | B |
| kN/lbf | kN | kg/m | | | | | | |
| 3,50/795 | 5,0 | 0,15 | X | | | | X | |
| 7,90/1795 | 11,3 | 0,33 | X | | X | | X | |
| 6,67/1516 | 18,6 | 0,41 | X | | X | | X | |
| 14,10/3205 | 31,3 | 0,62 | X | | X | | X | |
| 22,20/5045 | 43,2 | 1,02 | X | | X | | X | |
| 31,80/7227 | 74,3 | 1,50 | X | | X | | X | |
| 56,70/12886 | 107,6 | 2,60 | X | | X | | X | |
| 88,50/20114 | 163,1 | 3,91 | | | X | | X | |
| 127,00/28864 | 222,5 | 5,62 | | | X | | X | |
| 172,40/39182 | 266,9 | 7,50 | | | X | | X | |
| 226,80/51545 | 361,1 | 10,10 | | | X | | X | |
| 280,20/63682 | 466,8 | 13,45 | | | X | | X | |
| 353,80/80409 | 671,6 | 16,15 | | | X | | X | |
| 510,30/115977 | 622,5 | 23,20 | | | X | | X | |



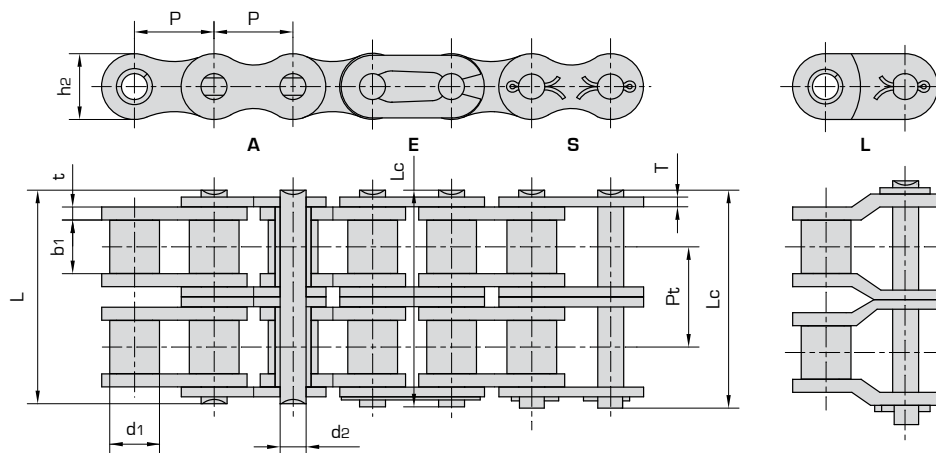
Donghua ZT coated roller chains are coated by a zinc aluminium compound. This coating is also known as Zintek coating layer and is used with many different steel product to protect the steel product from corrosion. This ZT coating has proven to have extremely high corrosion resistance. Even compared to zinc plating or nickel plating which are standard finish treatments used for roller chains and conveyor chain, this ZT coating gives a better corrosion protection in many corrosive environments. All Donghua roller chains are: Pre-loaded, Fatigue resistant, Wear resistant and Pre-lubricated. Donghua simplex, duplex and triplex roller chains are manufactured according to ISO 606 DIN8187, standard pre-loaded, pre-lubricated, do have seamless rollers and are marked with production batch code number for complete traceability. All Donghua roller chains are sealed in plastic bags and packed in cardboard boxes with clear ISO 606 DIN descriptions and safety instructions. Standard packaging size is 5 meter box, reels are available on request. Cut to length service is available on request. Several test certificates like breaking load, length tolerance and material analyses are possible and available on request. Rollers chains which are needed for 'run as pairs' applications can be matched as pairs on request. DIN, 1/2DIN and 1/3DIN length tolerance are possible, please ask us for a quotation. For high temperature, low temperature, food application or special environments different kind of special lubricants are available. Please ask our sales team for any special needs. For drive chain calculation and right dimension check, please contact our engineering department, also see drive chain calculation data sheet on page 301. By filling this data sheet and sending this to our engineering department you will receive a detailed drive chain calculation including life time expectation. Sprockets are available for all roller chains, with pilot bore, fixed bore, keyway, setscrew or bearing bore with grooves. Standard toothing, hardened toothing or special toothing are possible with pilot bore, fixed bore or taper bush. Chain tools, tensioners and chain lubricants please see page 302-310.

Short pitch precision roller chains (A series) ZT Plated (Zintek)

Duplex roller chains & bush chains

| Part nr. | DIN/ISO 606 Chain no. | ANSI Chain no. | Pitch | Roller diameter | Width between inner plates | Pin diameter | Pin length | | Inner plate depth | Plate thickness | Transverse pitch | |
|------------|--------------------------|-------------------|--------|--------------------|-------------------------------------|-----------------|------------|-------|-------------------------|--------------------|---------------------|-------|
| | | | | P | d1 max | b1 min | d2 max | L max | Lc max | h2 max | | T max |
| | | | | mm | mm | mm | mm | mm | mm | mm | | mm |
| 10025-2ZT | *04C-2 | *25-2 | 6,350 | 3,30 | 3,18 | 2,31 | 14,5 | 15,0 | 6,00 | 0,80 | 6,40 | |
| 10035-2ZT | *06C-2 | *35-2 | 9,525 | 5,08 | 4,77 | 3,58 | 22,5 | 23,3 | 9,00 | 1,30 | 10,13 | |
| 10041-1ZT | 085-2 | 41-2 | 12,700 | 7,77 | 6,25 | 3,58 | 25,7 | 26,9 | 9,91 | 1,30 | 11,95 | |
| 10040-2ZT | 08A-2 | 40-2 | 12,700 | 7,95 | 7,85 | 3,96 | 31,0 | 32,2 | 12,00 | 1,50 | 14,38 | |
| 10050-2ZT | 10A-2 | 50-2 | 15,875 | 10,16 | 9,40 | 5,08 | 38,9 | 40,4 | 15,09 | 2,03 | 18,11 | |
| 10060-2ZT | 12A-2 | 60-2 | 19,050 | 11,91 | 12,57 | 5,94 | 48,8 | 50,5 | 18,00 | 2,42 | 22,78 | |
| 10080-2ZT | 16A-2 | 80-2 | 25,400 | 15,88 | 15,75 | 7,92 | 62,7 | 64,3 | 24,00 | 3,25 | 29,29 | |
| 100100-2ZT | 20A-2 | 100-2 | 31,750 | 19,05 | 18,90 | 9,53 | 76,4 | 80,5 | 30,00 | 4,00 | 35,76 | |
| 100120-2ZT | 24A-2 | 120-2 | 38,100 | 22,23 | 25,22 | 11,10 | 95,8 | 99,7 | 35,70 | 4,80 | 45,44 | |
| 100140-2ZT | 28A-2 | 140-2 | 44,450 | 25,40 | 25,22 | 12,70 | 103,3 | 107,9 | 41,00 | 5,60 | 48,87 | |
| 100160-2ZT | 32A-2 | 160-2 | 50,800 | 28,58 | 31,55 | 14,27 | 123,3 | 128,1 | 47,80 | 6,40 | 58,55 | |
| 100180-2ZT | 36A-2 | 180-2 | 57,150 | 35,71 | 35,48 | 17,46 | 138,6 | 144,4 | 53,60 | 7,20 | 65,84 | |
| 100200-2ZT | 40A-2 | 200-2 | 63,500 | 39,68 | 37,85 | 19,85 | 151,9 | 158,8 | 60,00 | 8,00 | 71,55 | |
| 100240-2ZT | 48A-2 | 240-2 | 76,200 | 47,63 | 47,35 | 23,81 | 183,4 | 190,8 | 72,39 | 9,50 | 87,83 | |

* Bush chain: d1 in the table indicates the external diameter of the bush.



| Ultimate tensile strength | Average tensile strength | Weight per meter | Available chain parts | | | | |
|---------------------------|--------------------------|------------------|-----------------------|---|---|---|---|
| Q min | Q0 | q | E | S | L | C | A |
| kN/lbf | kN | kg/m | | | | | |
| 7,00/1591 | 8,6 | 0,28 | X | | | | X |
| 15,80/3591 | 19,7 | 0,63 | X | | | | X |
| 13,34/3032 | 16,9 | 0,81 | X | | X | | X |
| 28,20/6409 | 35,9 | 1,12 | X | | X | | X |
| 44,40/10091 | 58,1 | 2,00 | X | | X | | X |
| 63,60/14455 | 82,1 | 2,92 | X | | X | | X |
| 113,40/25773 | 141,8 | 5,15 | X | | X | | X |
| 177,00/40227 | 219,4 | 7,80 | | | X | | X |
| 254,00/57727 | 314,9 | 11,70 | | | X | | X |
| 344,80/78364 | 427,5 | 15,14 | | | X | | X |
| 453,60/103091 | 562,4 | 20,14 | | | X | | X |
| 560,50/127386 | 695,0 | 29,22 | | | X | | X |
| 707,60/160818 | 877,4 | 32,24 | | | X | | X |
| 1020,60/213955 | 1255,3 | 45,23 | | | X | | X |



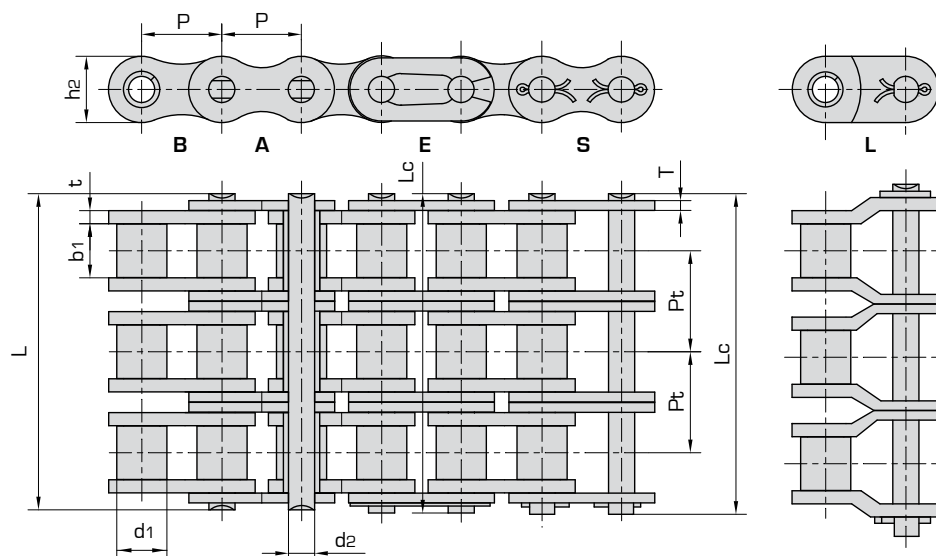
Donghua ZT coated roller chains are coated by a zinc aluminium compound. This coating is also known as Zintek coating layer and is used with many different steel product to protect the steel product from corrosion. This ZT coating has proven to have extremely high corrosion resistance. Even compared to zinc plating or nickel plating which are standard finish treatments used for roller chains and conveyor chain, this ZT coating gives a better corrosion protection in many corrosive environments. All Donghua roller chains are: Pre-loaded, Fatigue resistant, Wear resistant and Pre-lubricated. Donghua simplex, duplex and triplex roller chains are manufactured according to ISO 606 DIN8187, standard pre-loaded, pre-lubricated, do have seamless rollers and are marked with production batch code number for complete traceability. All Donghua roller chains are sealed in plastic bags and packed in cardboard boxes with clear ISO 606 DIN descriptions and safety instructions. Standard packaging size is 5 meter box, reels are available on request. Cut to length service is available on request. Several test certificates like breaking load, length tolerance and material analyses are possible and available on request. Rollers chains which are needed for 'run as pairs' applications can be matched as pairs on request. DIN, 1/2DIN and 1/3DIN length tolerance are possible, please ask us for a quotation. For high temperature, low temperature, food application or special environments different kind of special lubricants are available. Please ask our sales team for any special needs. For drive chain calculation and right dimension check, please contact our engineering department, also see drive chain calculation data sheet on page 301. By filling this data sheet and sending this to our engineering department you will receive a detailed drive chain calculation including life time expectation. Sprockets are available for all roller chains, with pilot bore, fixed bore, keyway, setscrew or bearing bore with grooves. Standard toothing, hardened toothing or special toothing are possible with pilot bore, fixed bore or taper bush. Chain tools, tensioners and chain lubricants please see page 302-310.

Short pitch precision roller chains (A series) ZT Plated (ZinTek)

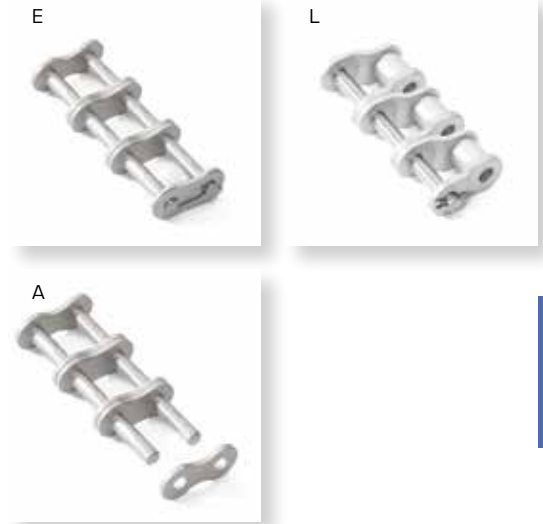
Triplex roller chains & bush chains

| Part nr. | DIN/ISO 606 Chain no. | ANSI Chain no. | Pitch | Roller | Width | Pin | Pin length | | Inner | Plate | Transverse pitch |
|------------|--------------------------|-------------------|--------|----------|---------|----------|------------|--------|-------|-----------|---------------------|
| | | | | diameter | between | diameter | L max | Lc max | plate | thickness | |
| | | | | d1 max | inner | d2 max | mm | mm | depth | mm | |
| | | | P | b1 min | d2 max | L max | Lc max | h2 max | T max | | |
| | | | mm | mm | mm | mm | mm | mm | mm | mm | mm |
| 10025-3ZT | *04C-3 | *25-3 | 6,350 | 3,30 | 3,18 | 2,31 | 21,0 | 21,5 | 6,00 | 0,80 | 6,40 |
| 10035-3ZT | *06C-3 | *35-3 | 9,525 | 5,08 | 4,77 | 3,58 | 32,7 | 33,5 | 9,00 | 1,30 | 10,13 |
| 10040-3ZT | 08A-3 | 40-3 | 12,700 | 7,95 | 7,85 | 3,96 | 45,4 | 46,6 | 12,00 | 1,50 | 14,38 |
| 10050-3ZT | 10A-3 | 50-3 | 15,875 | 10,16 | 9,40 | 5,08 | 57,0 | 58,5 | 15,09 | 2,03 | 18,11 |
| 10060-3ZT | 12A-3 | 60-3 | 19,050 | 11,91 | 12,57 | 5,94 | 71,5 | 73,3 | 18,00 | 2,42 | 22,78 |
| 10080-3ZT | 16A-3 | 80-3 | 25,400 | 15,88 | 15,75 | 7,92 | 91,7 | 93,6 | 24,00 | 3,25 | 29,29 |
| 100100-3ZT | 20A-3 | 100-3 | 31,750 | 19,05 | 18,90 | 9,53 | 112,2 | 116,3 | 30,00 | 4,00 | 35,76 |
| 100120-3ZT | 24A-3 | 120-3 | 38,100 | 22,23 | 25,22 | 11,10 | 141,4 | 145,2 | 35,70 | 4,80 | 45,44 |
| 100140-3ZT | 28A-3 | 140-3 | 44,450 | 25,40 | 25,22 | 12,70 | 152,2 | 156,8 | 41,00 | 5,60 | 48,87 |
| 100160-3ZT | 32A-3 | 160-3 | 50,800 | 28,58 | 31,55 | 14,27 | 181,8 | 186,6 | 47,80 | 6,40 | 58,55 |
| 100180-3ZT | 36A-3 | 180-3 | 57,150 | 35,71 | 35,48 | 17,46 | 204,4 | 210,2 | 53,60 | 7,20 | 65,84 |
| 100200-3ZT | 40A-3 | 200-3 | 63,500 | 39,68 | 37,85 | 19,85 | 223,5 | 230,4 | 60,00 | 8,00 | 71,55 |
| 100240-3ZT | 48A-3 | 240-3 | 76,200 | 47,63 | 47,35 | 23,81 | 271,3 | 278,6 | 72,39 | 9,50 | 87,83 |

* Bush chain: d1 in the table indicates the external diameter of the bush.



| Ultimate tensile strength | Average tensile strength | Weight per meter | Available chain parts | | | | | | |
|---------------------------|--------------------------|------------------|-----------------------|---|---|---|---|---|--|
| Q min | Q0 | q | E | S | L | C | A | B | |
| kN/lbf | kN | kg/m | | | | | | | |
| 10,5/2386 | 15,0 | 0,44 | X | | | | X | | |
| 23,7/5386 | 33,9 | 1,05 | X | | | | X | | |
| 42,3/9614 | 55,8 | 1,90 | X | | X | | X | | |
| 66,6/15136 | 93,9 | 3,09 | X | | X | | X | | |
| 95,4/21682 | 129,6 | 4,54 | X | | X | | X | | |
| 170,1/38659 | 222,9 | 7,89 | X | | X | | X | | |
| 265,5/60341 | 322,8 | 11,77 | | | X | | X | | |
| 381,0/86591 | 489,3 | 17,53 | | | X | | X | | |
| 517,2/117545 | 667,5 | 22,20 | | | X | | X | | |
| 680,4/154636 | 800,7 | 30,02 | | | X | | X | | |
| 840,7/191068 | 1083,3 | 38,22 | | | X | | X | | |
| 1061,4/241227 | 1400,4 | 49,03 | | | X | | X | | |
| 1530,9/347932 | 2014,8 | 71,60 | | | X | | X | | |



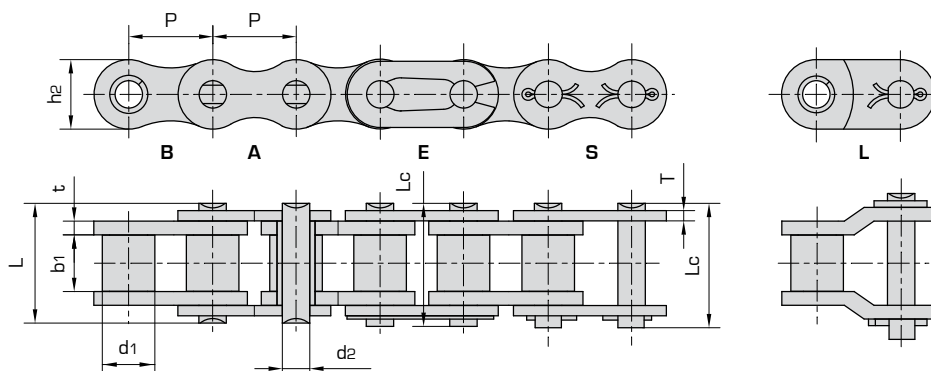
Donghua ZT coated roller chains are coated by a zinc aluminium compound. This coating is also known as Zintek coating layer and is used with many different steel product to protect the steel product from corrosion. This ZT coating has proven to have extremely high corrosion resistance. Even compared to zinc plating or nickel plating which are standard finish treatments used for roller chains and conveyor chain, this ZT coating gives a better corrosion protection in many corrosive environments. All Donghua roller chains are: Pre-loaded, Fatigue resistant, Wear resistant and Pre-lubricated. Donghua simplex, duplex and triplex roller chains are manufactured according to ISO 606 DIN8187, standard pre-loaded, pre-lubricated, do have seamless rollers and are marked with production batch code number for complete traceability. All Donghua roller chains are sealed in plastic bags and packed in cardboard boxes with clear ISO 606 DIN descriptions and safety instructions. Standard packaging size is 5 meter box, reels are available on request. Cut to length service is available on request. Several test certificates like breaking load, length tolerance and material analyses are possible and available on request. Rollers chains which are needed for 'run as pairs' applications can be matched as pairs on request. DIN, 1/2DIN and 1/3DIN length tolerance are possible, please ask us for a quotation. For high temperature, low temperature, food application or special environments different kind of special lubricants are available. Please ask our sales team for any special needs. For drive chain calculation and right dimension check, please contact our engineering department, also see drive chain calculation data sheet on page 301. By filling this data sheet and sending this to our engineering department you will receive a detailed drive chain calculation including life time expectation. Sprockets are available for all roller chains, with pilot bore, fixed bore, keyway, setscrew or bearing bore with grooves. Standard toothing, hardened toothing or special toothing are possible with pilot bore, fixed bore or taper bush. Chain tools, tensioners and chain lubricants please see page 302-310.

Short pitch precision roller chains (B series) ZT+ Plated (ZinTek including Chemical Nickel Plated Pins)

Simplex roller chains

| Part nr. | DIN/ISO 606 Chain no. | Pitch | Roller diameter | Width between inner plates | Pin diameter | Pin length | | Inner plate depth | Plate thickness |
|-------------|-----------------------|---------|-----------------|----------------------------|--------------|------------|--------|-------------------|-----------------|
| | | P | d1 max | b1 min | d2 max | L max | Lc max | h2 max | T max |
| | | mm | mm | mm | mm | mm | mm | mm | mm |
| 10004B-1ZT+ | 04B-1ZT+ | 6,000 | 4,00 | 2,80 | 1,85 | 6,80 | 7,8 | 5,00 | 0,60 |
| 10005B-1ZT+ | 05B-1ZT+ | 8,000 | 5,00 | 3,00 | 2,31 | 8,20 | 8,9 | 7,10 | 0,80 |
| 10006B-1ZT+ | *06B-1ZT+ | 9,525 | 6,35 | 5,72 | 3,28 | 13,15 | 14,1 | 8,20 | 1,30 |
| 10008B-1ZT+ | 08B-1ZT+ | 12,700 | 8,51 | 7,75 | 4,45 | 16,70 | 18,2 | 11,80 | 1,60 |
| 10010B-1ZT+ | 10B-1ZT+ | 15,875 | 10,16 | 9,65 | 5,08 | 19,50 | 20,9 | 14,70 | 1,70 |
| 10012B-1ZT+ | 12B-1ZT+ | 19,050 | 12,07 | 11,68 | 5,72 | 22,50 | 24,2 | 16,00 | 1,85 |
| 10016B-1ZT+ | 16B-1ZT+ | 25,400 | 15,88 | 17,02 | 8,28 | 36,10 | 37,4 | 21,00 | 4,15/3,1 |
| 10020B-1ZT+ | 20B-1ZT+ | 31,750 | 19,05 | 19,56 | 10,19 | 41,30 | 45,0 | 26,40 | 4,50/3,5 |
| 10024B-1ZT+ | 24B-1ZT+ | 38,100 | 25,40 | 25,40 | 14,63 | 53,40 | 57,8 | 33,20 | 6,00/4,8 |
| 10028B-1ZT+ | 28B-1ZT+ | 44,450 | 27,94 | 30,99 | 15,90 | 65,10 | 69,5 | 36,70 | 7,50/6,0 |
| 10032B-1ZT+ | 32B-1ZT+ | 50,800 | 29,21 | 30,99 | 17,81 | 66,00 | 71,0 | 42,00 | 7,00/6,0 |
| 10040B-1ZT+ | 40B-1ZT+ | 63,500 | 39,37 | 38,10 | 22,89 | 82,20 | 89,2 | 52,96 | 8,50/8,0 |
| 10048B-1ZT+ | 48B-1ZT+ | 76,200 | 48,26 | 45,72 | 29,24 | 99,10 | 107,0 | 63,80 | 12,00/10,0 |
| 10056B-1ZT+ | 56B-1ZT+ | 88,900 | 53,98 | 53,34 | 34,32 | 114,60 | 123,0 | 77,80 | 13,50/12,0 |
| 10064B-1ZT+ | 64B-1ZT+ | 101,600 | 63,50 | 60,96 | 39,40 | 130,00 | 138,5 | 90,17 | 15,00/13,0 |
| 10072B-1ZT+ | 72B-1ZT+ | 114,300 | 72,39 | 68,58 | 44,48 | 147,40 | 156,4 | 103,60 | 17,00/15,0 |

* Straight side plates



| Ultimate tensile strength | Average tensile strength | Weight per meter | Available chain parts | | | | | | |
|---------------------------|--------------------------|------------------|-----------------------|---|---|---|---|---|--|
| Q min Q min | Q0 Q0 | q q | | | | | | | |
| kN/lbf | kN | kg/m | E | S | L | C | A | B | |
| 3,0/682 | 3,2 | 0,11 | X | | X | | X | | |
| 5,0/1136 | 5,9 | 0,20 | X | | X | | X | | |
| 9,0/2045 | 10,4 | 0,41 | X | | X | | X | | |
| 18,0/4091 | 19,4 | 0,69 | X | | X | | X | | |
| 22,4/5091 | 27,5 | 0,93 | X | | X | | X | | |
| 29,0/6591 | 32,2 | 1,15 | X | | X | | X | | |
| 60,0/13636 | 77,1 | 2,71 | X | | X | | X | | |
| 95,0/21591 | 112,8 | 3,70 | X | | X | | X | | |
| 160,0/36364 | 178,0 | 7,10 | | | X | | X | | |
| 200,0/45455 | 236,4 | 8,50 | | | X | | X | | |
| 250,0/56818 | 277,5 | 10,25 | | | X | | X | | |
| 355,0/80682 | 394,0 | 16,35 | | | X | | X | | |
| 560,0/127272 | 621,6 | 25,00 | | | X | | X | | |
| 850,0/193180 | 940,0 | 35,78 | | | X | | X | | |
| 112,0/254544 | 1240,0 | 46,00 | | | X | | X | | |
| 1400,0/318180 | 1550,0 | 60,80 | | | X | | X | | |



Solution range

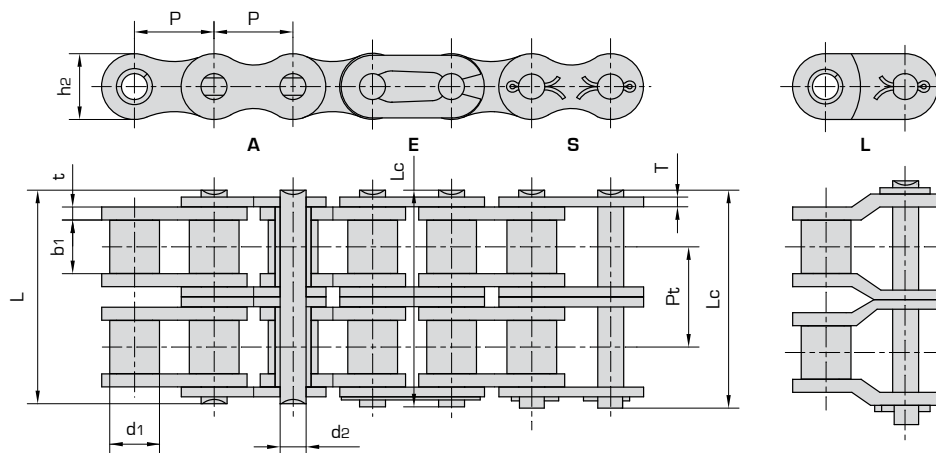
Donghua ZT+ roller chains are coated with the exact same zinc aluminium compound. Only the pins are chemical nickel plated. These chemical nickel plated pins do have a surface hardness of 1,000 HV and offer improved wear resistance. The corrosion resistance of these chemical nickel plated pins is excellent. All Donghua roller chains are: Pre-loaded, Fatigue resistant, Wear resistant and Pre-lubricated. Donghua simplex, duplex and triplex roller chains are manufactured according to ISO 606 DIN8187, standard pre-loaded, pre-lubricated, do have seamless rollers and are marked with production batch code number for complete traceability. All Donghua roller chains are sealed in plastic bags and packed in cardboard boxes with clear ISO 606 DIN descriptions and safety instructions. Standard packaging size is 5 meter box, reels are available on request. Cut to length service is available on request. Several test certificates like breaking load, length tolerance and material analyses are possible and available on request. Rollers chains which are needed for 'run as pairs' applications can be matched as pairs on request. DIN, 1/2DIN and 1/3DIN length tolerance are possible, please ask us for a quotation. For high temperature, low temperature, food application or special environments different kind of special lubricants are available. Please ask our sales team for any special needs. For drive chain calculation and right dimension check, please contact our engineering department, also see drive chain calculation data sheet on page 301. By filling this data sheet and sending this to our engineering department you will receive a detailed drive chain calculation including life time expectation. Sprockets are available for all roller chains, with pilot bore, fixed bore, keyway, setscrew or bearing bore with grooves. Standard toothing, hardened toothing or special toothing are possible with pilot bore, fixed bore or taper bush. Chain tools, tensioners and chain lubricants please see page 302-310.

Short pitch precision roller chains (B series) ZT+ Plated (ZinTek including Chemical Nickel Plated Pins)

Duplex roller chains

| Part nr. | DIN/ISO 606 Chain no. | Pitch | Roller diameter | Width between inner plates | Pin diameter | Pin length | Inner plate depth | Plate thickness | Transverse pitch | |
|-------------|-----------------------|---------|-----------------|----------------------------|--------------|------------|-------------------|-----------------|------------------|--------|
| | | P | d1 max | b1 min | d2 max | L max | Lc max | h2 max | T max | Pt |
| | | mm | mm | mm | mm | mm | mm | mm | mm | mm |
| 10004B-2ZT+ | 04B-2ZT+ | 6,000 | 4,00 | 2,80 | 1,85 | 13,20 | 14,20 | 5,00 | 0,60 | 5,50 |
| 10005B-2ZT+ | 05B-2ZT+ | 8,000 | 5,00 | 3,00 | 2,31 | 13,9 | 14,5 | 7,10 | 0,80 | 5,64 |
| 10006B-2ZT+ | *06B-2ZT+ | 9,525 | 6,35 | 5,72 | 3,28 | 23,4 | 24,4 | 8,20 | 1,30 | 10,24 |
| 10008B-2ZT+ | 08B-2ZT+ | 12,700 | 8,51 | 7,75 | 4,45 | 31,0 | 32,2 | 11,80 | 1,60 | 13,92 |
| 10010B-2ZT+ | 10B-2ZT+ | 15,875 | 10,16 | 9,65 | 5,08 | 36,1 | 37,5 | 14,70 | 1,70 | 16,59 |
| 10012B-2ZT+ | 12B-2ZT+ | 19,050 | 12,07 | 11,68 | 5,72 | 42,0 | 43,6 | 16,00 | 1,85 | 19,46 |
| 10016B-2ZT+ | 16B-2ZT+ | 25,400 | 15,88 | 17,02 | 8,28 | 68,0 | 69,3 | 21,00 | 4,15/3,1 | 31,88 |
| 10020B-2ZT+ | 20B-2ZT+ | 31,750 | 19,05 | 19,56 | 10,19 | 77,8 | 81,5 | 26,40 | 4,50/3,5 | 36,45 |
| 10024B-2ZT+ | 24B-2ZT+ | 38,100 | 25,40 | 25,40 | 14,63 | 101,7 | 106,2 | 33,20 | 6,00/4,8 | 48,36 |
| 10028B-2ZT+ | 28B-2ZT+ | 44,450 | 27,94 | 30,99 | 15,90 | 124,6 | 129,1 | 36,70 | 7,50/6,0 | 59,56 |
| 10032B-2ZT+ | 32B-2ZT+ | 50,800 | 29,21 | 30,99 | 17,81 | 124,6 | 129,6 | 42,00 | 7,00/6,0 | 58,55 |
| 10040B-2ZT+ | 40B-2ZT+ | 63,500 | 39,37 | 38,10 | 22,89 | 154,5 | 161,5 | 52,96 | 8,50/8,0 | 72,29 |
| 10048B-2ZT+ | 48B-2ZT+ | 76,200 | 48,26 | 45,72 | 29,24 | 190,4 | 198,2 | 63,80 | 12,00/10,0 | 91,21 |
| 10056B-2ZT+ | 56B-2ZT+ | 88,900 | 53,98 | 53,34 | 34,32 | 221,2 | 229,6 | 77,80 | 13,50/12,0 | 106,60 |
| 10064B-2ZT+ | 64B-2ZT+ | 101,600 | 63,50 | 60,96 | 39,40 | 249,9 | 258,4 | 90,17 | 15,00/13,0 | 119,89 |
| 10072B-2ZT+ | 72B-2ZT+ | 114,300 | 72,39 | 68,58 | 44,48 | 283,7 | 292,7 | 103,60 | 17,00/15,0 | 136,27 |

* Straight side plates



| Ultimate tensile strength | Average tensile strength | Weight per meter | Available chain parts | | | | |
|---------------------------|--------------------------|------------------|-----------------------|---|---|---|---|
| Q min | Q0 | q | E | S | L | C | A |
| kN/lbf | kN | kg/m | | | | | |
| 5,0/1124 | 6,10 | 0,23 | X | | X | | X |
| 7,8/1773 | 10,2 | 0,33 | X | | X | | X |
| 16,9/3841 | 18,7 | 0,77 | X | | X | | X |
| 32,0/7273 | 38,7 | 1,34 | X | | X | | X |
| 44,5/10114 | 56,2 | 1,84 | X | | X | | X |
| 57,8/13136 | 66,1 | 2,31 | X | | X | | X |
| 106,0/24091 | 152,0 | 5,42 | X | | X | | X |
| 170,0/38636 | 229 | 7,20 | | | X | | X |
| 280,0/63636 | 319,2 | 13,40 | | | X | | X |
| 360,0/81818 | 406,8 | 16,60 | | | X | | X |
| 450,0/102273 | 508,5 | 21,00 | | | X | | X |
| 630,0/143182 | 711,9 | 32,00 | | | X | | X |
| 1000,0/227272 | 1130,0 | 50,00 | | | X | | X |
| 1600,0/363635 | 1760,0 | 71,48 | | | X | | X |
| 2000,0/454544 | 2200,0 | 91,00 | | | X | | X |
| 2500,0/568180 | 2750,0 | 120,40 | | | X | | X |



Solution range

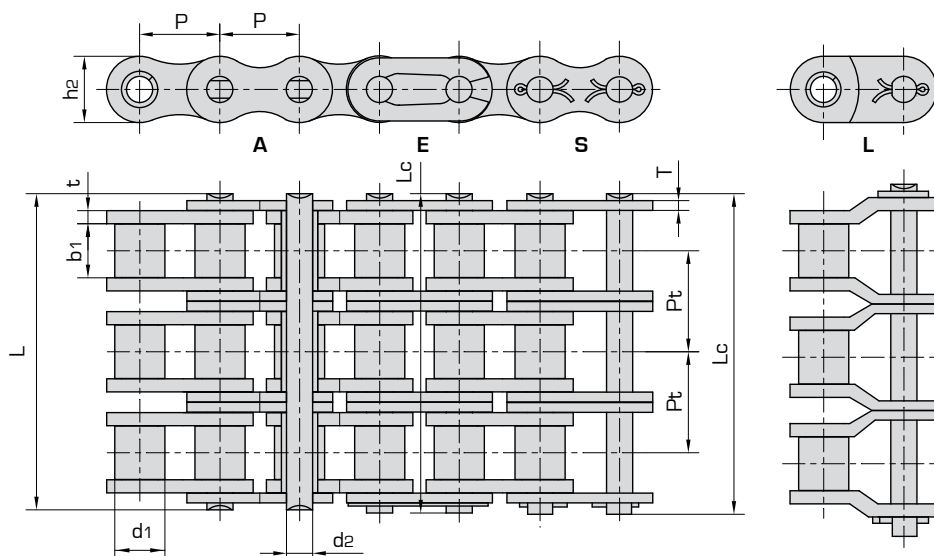
Donghua ZT+ roller chains are coated with the exact same zinc aluminium compound. Only the pins are chemical nickel plated. These chemical nickel plated pins do have a surface hardness of 1,000 HV and offer improved wear resistance. The corrosion resistance of these chemical nickel plated pins is excellent. All Donghua roller chains are: Pre-loaded, Fatigue resistant, Wear resistant and Pre-lubricated. Donghua simplex, duplex and triplex roller chains are manufactured according to ISO 606 DIN8187, standard pre-loaded, pre-lubricated, do have seamless rollers and are marked with production batch code number for complete traceability. All Donghua roller chains are sealed in plastic bags and packed in cardboard boxes with clear ISO 606 DIN descriptions and safety instructions. Standard packaging size is 5 meter box, reels are available on request. Cut to length service is available on request. Several test certificates like breaking load, length tolerance and material analyses are possible and available on request. Rollers chains which are needed for 'run as pairs' applications can be matched as pairs on request. DIN, 1/2DIN and 1/3DIN length tolerance are possible, please ask us for a quotation. For high temperature, low temperature, food application or special environments different kind of special lubricants are available. Please ask our sales team for any special needs. For drive chain calculation and right dimension check, please contact our engineering department, also see drive chain calculation data sheet on page 301. By filling this data sheet and sending this to our engineering department you will receive a detailed drive chain calculation including life time expectation. Sprockets are available for all roller chains, with pilot bore, fixed bore, keyway, setscrew or bearing bore with grooves. Standard toothing, hardened toothing or special toothing are possible with pilot bore, fixed bore or taper bush. Chain tools, tensioners and chain lubricants please see page 302-310.

Short pitch precision roller chains (B series) ZT+ Plated (ZinTek including Chemical Nickel Plated Pins)

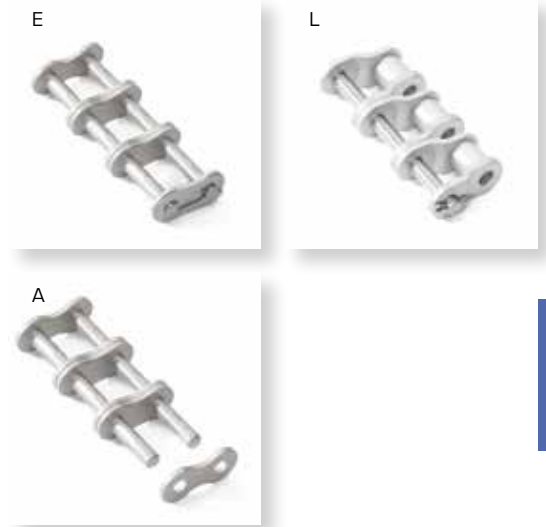
Triplex roller chains

| Part nr. | DIN/ISO 606 Chain no. | Pitch | Roller diameter | Width between inner plates | Pin diameter | Pin length | Inner plate depth | Plate thickness | Transverse pitch | |
|-------------|-----------------------|--------|-----------------|----------------------------|--------------|------------|-------------------|-----------------|------------------|--------|
| | | P | d1 max | b1 min | d2 max | L max | Lc max | h2 max | T max | Pt |
| | | mm | mm | mm | mm | mm | mm | mm | mm | mm |
| 10005B-3ZT+ | 05B-3ZT+ | 8,000 | 5,00 | 3,00 | 2,31 | 19,5 | 20,2 | 7,10 | 0,80 | 5,64 |
| 10006B-3ZT+ | *06B-3ZT+ | 9,525 | 6,35 | 5,72 | 3,28 | 33,5 | 34,6 | 8,20 | 1,30 | 10,24 |
| 10008B-3ZT+ | 08B-3ZT+ | 12,700 | 8,51 | 7,75 | 4,45 | 45,1 | 46,1 | 11,80 | 1,60 | 13,92 |
| 10010B-3ZT+ | 10B-3ZT+ | 15,875 | 10,16 | 9,65 | 5,08 | 52,7 | 54,1 | 14,70 | 1,70 | 16,59 |
| 10012B-3ZT+ | 12B-3ZT+ | 19,050 | 12,07 | 11,68 | 5,72 | 61,5 | 63,1 | 16,00 | 1,85 | 19,46 |
| 10016B-3ZT+ | 16B-3ZT+ | 25,400 | 15,88 | 17,02 | 8,28 | 99,8 | 101,2 | 21,00 | 4,15/3,1 | 31,88 |
| 10020B-3ZT+ | 20B-3ZT+ | 31,750 | 19,05 | 19,56 | 10,19 | 114,2 | 117,9 | 26,40 | 4,50/3,5 | 36,45 |
| 10024B-3ZT+ | 24B-3ZT+ | 38,100 | 25,40 | 25,40 | 14,63 | 150,1 | 154,6 | 33,20 | 6,00/4,8 | 48,36 |
| 10028B-3ZT+ | 28B-3ZT+ | 44,450 | 27,94 | 30,99 | 15,90 | 184,2 | 188,7 | 36,70 | 7,50/6,0 | 59,56 |
| 10032B-3ZT+ | 32B-3ZT+ | 50,800 | 29,21 | 30,99 | 17,81 | 183,2 | 188,2 | 42,00 | 7,00/6,0 | 58,55 |
| 10040B-3ZT+ | 40B-3ZT+ | 63,500 | 39,37 | 38,10 | 22,89 | 226,8 | 233,8 | 52,96 | 8,50/8,0 | 72,29 |
| 10048B-3ZT+ | 48B-3ZT+ | 76,200 | 48,26 | 45,72 | 29,24 | 281,6 | 289,4 | 63,80 | 12,00/10,0 | 91,21 |
| 10056B-3ZT+ | 56B-3ZT+ | 88,900 | 53,98 | 53,34 | 34,32 | 327,8 | 336,2 | 77,80 | 13,50/12,0 | 106,6 |
| 10064B-3ZT+ | 64B-3ZT+ | 101,60 | 63,50 | 60,96 | 39,40 | 369,8 | 378,3 | 90,17 | 15,00/13,0 | 119,89 |
| 10072B-3ZT+ | 72B-3ZT+ | 114,30 | 72,39 | 68,58 | 44,48 | 420,0 | 429,0 | 103,60 | 17,00/15,0 | 136,27 |

* Straight side plates



| Ultimate tensile strength | Average tensile strength | Weight per meter | Available chain parts | | | | |
|---------------------------|--------------------------|------------------|-----------------------|---|---|---|---|
| Q min | Q0 | q | E | S | L | C | A |
| kN/lbf | kN | kg/m | | | | | |
| 11,1/2523 | 13,8 | 0,48 | X | | X | | X |
| 24,9/5659 | 30,1 | 1,16 | X | | X | | X |
| 47,5/10795 | 57,8 | 2,03 | X | | X | | X |
| 66,7/15159 | 84,5 | 2,77 | X | | X | | X |
| 86,7/19705 | 101,8 | 3,46 | X | | X | | X |
| 160,0/36364 | 203,7 | 8,13 | X | | X | | X |
| 250,0/56818 | 290,0 | 10,82 | | | X | | X |
| 425,0/96591 | 493,0 | 20,10 | | | X | | X |
| 530,0/120454 | 609,5 | 24,92 | | | X | | X |
| 670,0/152273 | 770,5 | 31,56 | | | X | | X |
| 950,0/215909 | 1092,5 | 48,10 | | | X | | X |
| 1500,0/340909 | 1710,0 | 75,00 | | | X | | X |
| 2240,0/545450 | 2464,0 | 107,18 | | | X | | X |
| 3000,0/681820 | 3300,0 | 136,00 | | | X | | X |
| 3750,0/852270 | 4125,0 | 180,00 | | | X | | X |



Solution range



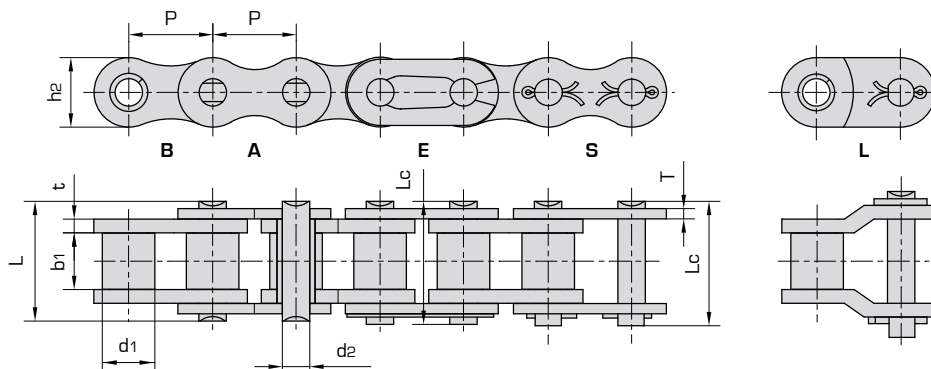
Donghua ZT+ roller chains are coated with the exact same zinc aluminium compound. Only the pins are chemical nickel plated. These chemical nickel plated pins do have a surface hardness of 1,000 HV and offer improved wear resistance. The corrosion resistance of these chemical nickel plated pins is excellent. All Donghua roller chains are: Pre-loaded, Fatigue resistant, Wear resistant and Pre-lubricated. Donghua simplex, duplex and triplex roller chains are manufactured according to ISO 606 DIN8187, standard pre-loaded, pre-lubricated, do have seamless rollers and are marked with production batch code number for complete traceability. All Donghua roller chains are sealed in plastic bags and packed in cardboard boxes with clear ISO 606 DIN descriptions and safety instructions. Standard packaging size is 5 meter box, reels are available on request. Cut to length service is available on request. Several test certificates like breaking load, length tolerance and material analyses are possible and available on request. Rollers chains which are needed for 'run as pairs' applications can be matched as pairs on request. DIN, 1/2DIN and 1/3DIN length tolerance are possible, please ask us for a quotation. For high temperature, low temperature, food application or special environments different kind of special lubricants are available. Please ask our sales team for any special needs. For drive chain calculation and right dimension check, please contact our engineering department, also see drive chain calculation data sheet on page 301. By filling this data sheet and sending this to our engineering department you will receive a detailed drive chain calculation including life time expectation. Sprockets are available for all roller chains, with pilot bore, fixed bore, keyway, setscrew or bearing bore with grooves. Standard toothing, hardened toothing or special toothing are possible with pilot bore, fixed bore or taper bush. Chain tools, tensioners and chain lubricants please see page 302-310.

Short pitch precision roller chains (A series) ZT+ Plated (Geomet including Chemical Nickel Plated Pins)

Simplex roller chains & bush chains

| Part nr. | DIN/ISO 606 Chain no. | ANSI Chain no. | Pitch | Roller diameter | Width between inner plates | Pin diameter | Pin length | | Inner plate depth | Plate thickness |
|-------------|--------------------------|-------------------|--------|--------------------|-------------------------------------|-----------------|------------|--------|-------------------------|--------------------|
| | | | | | | | L max | Lc max | | |
| | | | | | | | P | d1 max | | |
| mm | mm | mm | mm | mm | mm | mm | mm | mm | | |
| 10025-1ZT+ | *04C-1 | *25 | 6,350 | 3,30 | 3,18 | 2,31 | 7,90 | 8,40 | 6,00 | 0,80 |
| 10035-1ZT+ | *06C-1 | *35 | 9,525 | 5,08 | 4,77 | 3,58 | 12,40 | 13,17 | 9,00 | 1,30 |
| 10041-1ZT+ | 085-1 | 41 | 12,700 | 7,77 | 6,25 | 3,58 | 13,75 | 15,00 | 9,91 | 1,30 |
| 10040-1ZT+ | 08A-1 | 40 | 12,700 | 7,95 | 7,85 | 3,96 | 16,60 | 17,80 | 12,00 | 1,50 |
| 10050-1ZT+ | 10A-1 | 50 | 15,875 | 10,16 | 9,40 | 5,08 | 20,70 | 22,20 | 15,09 | 2,03 |
| 10060-1ZT+ | 12A-1 | 60 | 19,050 | 11,91 | 12,57 | 5,94 | 25,90 | 27,70 | 18,00 | 2,42 |
| 10080-1ZT+ | 16A-1 | 80 | 25,400 | 15,88 | 15,75 | 7,92 | 32,70 | 35,00 | 24,00 | 3,25 |
| 100100-1ZT+ | 20A-1 | 100 | 31,750 | 19,05 | 18,90 | 9,53 | 40,40 | 44,70 | 30,00 | 4,00 |
| 100120-1ZT+ | 24A-1 | 120 | 38,100 | 22,23 | 25,22 | 11,10 | 50,30 | 54,30 | 35,70 | 4,80 |
| 100140-1ZT+ | 28A-1 | 140 | 44,450 | 25,40 | 25,22 | 12,70 | 54,40 | 59,00 | 41,00 | 5,60 |
| 100160-1ZT+ | 32A-1 | 160 | 50,800 | 28,58 | 31,55 | 14,27 | 64,80 | 69,60 | 47,80 | 6,40 |
| 100180-1ZT+ | 36A-1 | 180 | 57,150 | 35,71 | 35,48 | 17,46 | 72,80 | 78,60 | 53,60 | 7,20 |
| 100200-1ZT+ | 40A-1 | 200 | 63,500 | 39,68 | 37,85 | 19,85 | 80,30 | 87,20 | 60,00 | 8,00 |
| 100240-1ZT+ | 48A-1 | 240 | 76,200 | 47,63 | 47,35 | 23,81 | 95,50 | 103,00 | 72,39 | 9,50 |

* Bush chain: d1 in the table indicates the external diameter of the bush.



| Ultimate tensile strength | Average tensile strength | Weight per meter | Available chain parts | | | | | |
|---------------------------|--------------------------|------------------|-----------------------|---|---|---|---|---|
| Q min | Q0 | q | E | S | L | C | A | B |
| kN/lbf | kN | kg/m | | | | | | |
| 3,50/795 | 5,0 | 0,15 | X | | | | X | |
| 7,90/1795 | 11,3 | 0,33 | X | | X | | X | |
| 6,67/1516 | 18,6 | 0,41 | X | | X | | X | |
| 14,10/3205 | 31,3 | 0,62 | X | | X | | X | |
| 22,20/5045 | 43,2 | 1,02 | X | | X | | X | |
| 31,80/7227 | 74,3 | 1,50 | X | | X | | X | |
| 56,70/12886 | 107,6 | 2,60 | X | | X | | X | |
| 88,50/20114 | 163,1 | 3,91 | | | X | | X | |
| 127,00/28864 | 222,5 | 5,62 | | | X | | X | |
| 172,40/39182 | 266,9 | 7,50 | | | X | | X | |
| 226,80/51545 | 361,1 | 10,10 | | | X | | X | |
| 280,20/63682 | 466,8 | 13,45 | | | X | | X | |
| 353,80/80409 | 671,6 | 16,15 | | | X | | X | |
| 510,30/115977 | 622,5 | 23,2 | | | X | | X | |



Donghua ZT+ roller chains are coated with the exact same zinc aluminium compound. Only the pins are chemical nickel plated. These chemical nickel plated pins do have a surface hardness of 1,000 HV and offer improved wear resistance. The corrosion resistance of these chemical nickel plated pins is excellent. All Donghua roller chains are: Pre-loaded, Fatigue resistant, Wear resistant and Pre-lubricated. Donghua simplex, duplex and triplex roller chains are manufactured according to ISO 606 DIN8187, standard pre-loaded, pre-lubricated, do have seamless rollers and are marked with production batch code number for complete traceability. All Donghua roller chains are sealed in plastic bags and packed in cardboard boxes with clear ISO 606 DIN descriptions and safety instructions. Standard packaging size is 5 meter box, reels are available on request. Cut to length service is available on request. Several test certificates like breaking load, length tolerance and material analyses are possible and available on request. Rollers chains which are needed for 'run as pairs' applications can be matched as pairs on request. DIN, 1/2DIN and 1/3DIN length tolerance are possible, please ask us for a quotation. For high temperature, low temperature, food application or special environments different kind of special lubricants are available. Please ask our sales team for any special needs. For drive chain calculation and right dimension check, please contact our engineering department, also see drive chain calculation data sheet on page 301. By filling this data sheet and sending this to our engineering department you will receive a detailed drive chain calculation including life time expectation. Sprockets are available for all roller chains, with pilot bore, fixed bore, keyway, setscrew or bearing bore with grooves. Standard toothing, hardened toothing or special toothing are possible with pilot bore, fixed bore or taper bush. Chain tools, tensioners and chain lubricants please see page 302-310.

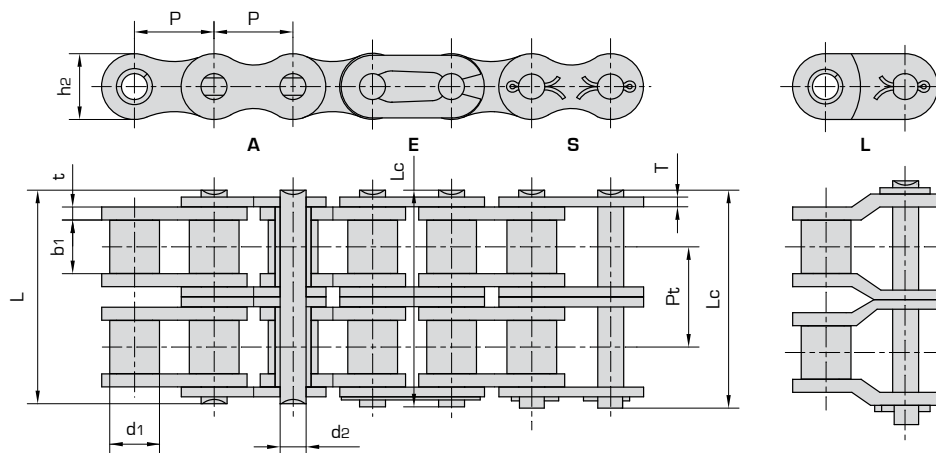
Solution range

Short pitch precision roller chains (A series) ZT+ Plated (ZinTek including Chemical Nickel Plated Pins)

Duplex roller chains & bush chains

| Part nr. | DIN/ISO 606 Chain no. | ANSI Chain no. | Pitch | Roller diameter | Width between inner plates | Pin diameter | Pin length | | Inner plate depth | Plate thickness | Transverse pitch |
|-------------|-----------------------|----------------|--------|-----------------|----------------------------|--------------|------------|--------|-------------------|-----------------|------------------|
| | | | | d1 max | b1 min | d2 max | L max | Lc max | h2 max | T max | |
| | | | | mm | mm | mm | mm | mm | mm | mm | |
| 10025-2ZT+ | *04C-2 | *25-2 | 6,350 | 3,30 | 3,18 | 2,31 | 14,5 | 15,0 | 6,00 | 0,80 | 6,40 |
| 10035-2ZT+ | *06C-2 | *35-2 | 9,525 | 5,08 | 4,77 | 3,58 | 22,5 | 23,3 | 9,00 | 1,30 | 10,13 |
| 10041-1ZT+ | 085-2 | 41-2 | 12,700 | 7,77 | 6,25 | 3,58 | 25,7 | 26,9 | 9,91 | 1,30 | 11,95 |
| 10040-2ZT+ | 08A-2 | 40-2 | 12,700 | 7,95 | 7,85 | 3,96 | 31,0 | 32,2 | 12,00 | 1,50 | 14,38 |
| 10050-2ZT+ | 10A-2 | 50-2 | 15,875 | 10,16 | 9,40 | 5,08 | 38,9 | 40,4 | 15,09 | 2,03 | 18,11 |
| 10060-2ZT+ | 12A-2 | 60-2 | 19,050 | 11,91 | 12,57 | 5,94 | 48,8 | 50,5 | 18,00 | 2,42 | 22,78 |
| 10080-2ZT+ | 16A-2 | 80-2 | 25,400 | 15,88 | 15,75 | 7,92 | 62,7 | 64,3 | 24,00 | 3,25 | 29,29 |
| 100100-2ZT+ | 20A-2 | 100-2 | 31,750 | 19,05 | 18,90 | 9,53 | 76,4 | 80,5 | 30,00 | 4,00 | 35,76 |
| 100120-2ZT+ | 24A-2 | 120-2 | 38,100 | 22,23 | 25,22 | 11,10 | 95,8 | 99,7 | 35,70 | 4,80 | 45,44 |
| 100140-2ZT+ | 28A-2 | 140-2 | 44,450 | 25,40 | 25,22 | 12,70 | 103,3 | 107,9 | 41,00 | 5,60 | 48,87 |
| 100160-2ZT+ | 32A-2 | 160-2 | 50,800 | 28,58 | 31,55 | 14,27 | 123,3 | 128,1 | 47,80 | 6,40 | 58,55 |
| 100180-2ZT+ | 36A-2 | 180-2 | 57,150 | 35,71 | 35,48 | 17,46 | 138,6 | 144,4 | 53,60 | 7,20 | 65,84 |
| 100200-2ZT+ | 40A-2 | 200-2 | 63,500 | 39,68 | 37,85 | 19,85 | 151,9 | 158,8 | 60,00 | 8,00 | 71,55 |
| 100240-2ZT+ | 48A-2 | 240-2 | 76,200 | 47,63 | 47,35 | 23,81 | 183,4 | 190,8 | 72,39 | 9,50 | 87,83 |

* Bush chain: d1 in the table indicates the external diameter of the bush.



| Ultimate tensile strength | Average tensile strength | Weight per meter | Available chain parts | | | | |
|---------------------------|--------------------------|------------------|-----------------------|---|---|---|---|
| Q min | Q0 | q | E | S | L | C | A |
| kN/lbf | kN | kg/m | | | | | |
| 7,00/1591 | 10,0 | 0,28 | X | | | | X |
| 15,80/3591 | 22,3 | 0,63 | X | | | | X |
| 13,34/3032 | 37,2 | 0,81 | X | | X | | X |
| 28,20/6409 | 62,6 | 1,12 | X | | X | | X |
| 44,40/10091 | 86,4 | 2,00 | X | | X | | X |
| 63,60/14455 | 148,6 | 2,92 | X | | X | | X |
| 113,40/25773 | 215,2 | 5,15 | X | | X | | X |
| 177,00/40227 | 326,2 | 7,80 | | | X | | X |
| 254,00/57727 | 445,0 | 11,70 | | | X | | X |
| 344,80/78364 | 533,8 | 15,14 | | | X | | X |
| 453,60/103091 | 722,2 | 20,14 | | | X | | X |
| 560,50/127386 | 933,6 | 29,22 | | | X | | X |
| 707,60/160818 | 1343,2 | 32,24 | | | X | | X |
| 1020,60/213955 | 1255,3 | 45,23 | | | X | | X |



Donghua ZT+ roller chains are coated with the exact same zinc aluminium compound. Only the pins are chemical nickel plated. These chemical nickel plated pins do have a surface hardness of 1,000 HV and offer improved wear resistance. The corrosion resistance of these chemical nickel plated pins is excellent. All Donghua roller chains are: Pre-loaded, Fatigue resistant, Wear resistant and Pre-lubricated. Donghua simplex, duplex and triplex roller chains are manufactured according to ISO 606 DIN8187, standard pre-loaded, pre-lubricated, do have seamless rollers and are marked with production batch code number for complete traceability. All Donghua roller chains are sealed in plastic bags and packed in cardboard boxes with clear ISO 606 DIN descriptions and safety instructions. Standard packaging size is 5 meter box, reels are available on request. Cut to length service is available on request. Several test certificates like breaking load, length tolerance and material analyses are possible and available on request. Rollers chains which are needed for 'run as pairs' applications can be matched as pairs on request. DIN, 1/2DIN and 1/3DIN length tolerance are possible, please ask us for a quotation. For high temperature, low temperature, food application or special environments different kind of special lubricants are available. Please ask our sales team for any special needs. For drive chain calculation and right dimension check, please contact our engineering department, also see drive chain calculation data sheet on page 301. By filling this data sheet and sending this to our engineering department you will receive a detailed drive chain calculation including life time expectation. Sprockets are available for all roller chains, with pilot bore, fixed bore, keyway, setscrew or bearing bore with grooves. Standard toothing, hardened toothing or special toothing are possible with pilot bore, fixed bore or taper bush. Chain tools, tensioners and chain lubricants please see page 302-310.

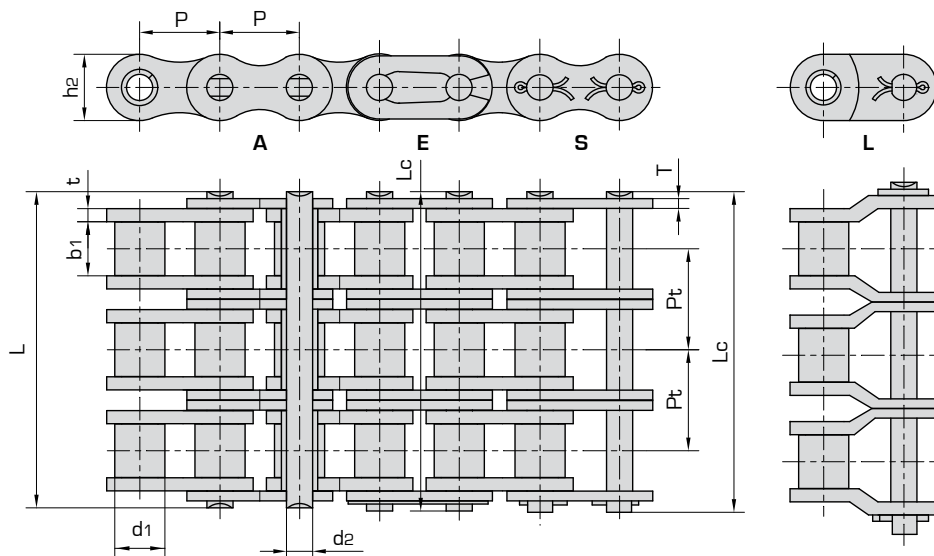
Solution Range

Short pitch precision roller chains (A series) ZT+ Plated (ZinTek including Chemical Nickel Plated Pins)

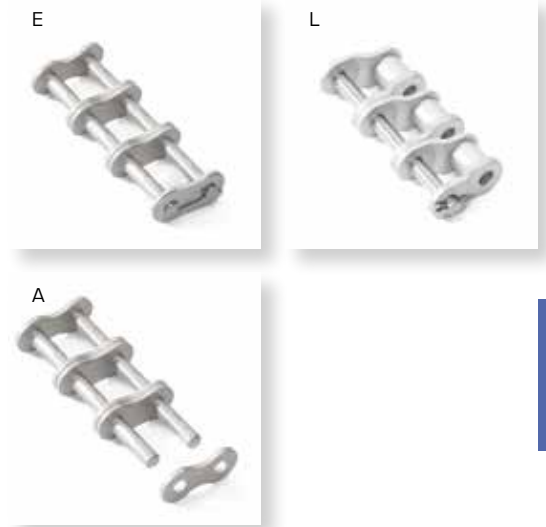
Triplex roller chains & bush chains

| Part nr. | DIN/ISO 606 Chain no. | ANSI Chain no. | Pitch | Roller diameter | Width between inner plates | Pin diameter | Pin length | | Inner plate depth | Plate thickness | Transverse pitch |
|-------------|-----------------------|----------------|--------|-----------------|----------------------------|--------------|------------|--------|-------------------|-----------------|------------------|
| | | | | | | | L max | Lc max | | | |
| | | | | | | | P | d1 max | | | |
| | | mm | | mm | | mm | | mm | | mm | |
| 10025-3ZT+ | *04C-3 | *25-3 | 6,350 | 3,30 | 3,18 | 2,31 | 21,0 | 21,5 | 6,00 | 0,80 | 6,40 |
| 10035-3ZT+ | *06C-3 | *35-3 | 9,525 | 5,08 | 4,77 | 3,58 | 32,7 | 33,5 | 9,00 | 1,30 | 10,13 |
| 10040-3ZT+ | 08A-3 | 40-3 | 12,700 | 7,95 | 7,85 | 3,96 | 45,4 | 46,6 | 12,00 | 1,50 | 14,38 |
| 10050-3ZT+ | 10A-3 | 50-3 | 15,875 | 10,16 | 9,40 | 5,08 | 57,0 | 58,5 | 15,09 | 2,03 | 18,11 |
| 10060-3ZT+ | 12A-3 | 60-3 | 19,050 | 11,91 | 12,57 | 5,94 | 71,5 | 73,3 | 18,00 | 2,42 | 22,78 |
| 10080-3ZT+ | 16A-3 | 80-3 | 25,400 | 15,88 | 15,75 | 7,92 | 91,7 | 93,6 | 24,00 | 3,25 | 29,29 |
| 100100-3ZT+ | 20A-3 | 100-3 | 31,750 | 19,05 | 18,90 | 9,53 | 112,2 | 116,3 | 30,00 | 4,00 | 35,76 |
| 100120-3ZT+ | 24A-3 | 120-3 | 38,100 | 22,23 | 25,22 | 11,10 | 141,4 | 145,2 | 35,70 | 4,80 | 45,44 |
| 100140-3ZT+ | 28A-3 | 140-3 | 44,450 | 25,40 | 25,22 | 12,70 | 152,2 | 156,8 | 41,00 | 5,60 | 48,87 |
| 100160-3ZT+ | 32A-3 | 160-3 | 50,800 | 28,58 | 31,55 | 14,27 | 181,8 | 186,6 | 47,80 | 6,40 | 58,55 |
| 100180-3ZT+ | 36A-3 | 180-3 | 57,150 | 35,71 | 35,48 | 17,46 | 204,4 | 210,2 | 53,60 | 7,20 | 65,84 |
| 100200-3ZT+ | 40A-3 | 200-3 | 63,500 | 39,68 | 37,85 | 19,85 | 223,5 | 230,4 | 60,00 | 8,00 | 71,55 |
| 100240-3ZT+ | 48A-3 | 240-3 | 76,200 | 47,63 | 47,35 | 23,81 | 271,3 | 278,6 | 72,39 | 9,50 | 87,83 |

* Bush chain: d1 in the table indicates the external diameter of the bush.



| Ultimate tensile strength | Average tensile strength | Weight per meter | Available chain parts | | | | |
|---------------------------|--------------------------|------------------|-----------------------|---|---|---|---|
| Q min | Q0 | q | E | S | L | C | A |
| kN/lbf | kN | kg/m | | | | | |
| 10,5/2386 | 15,0 | 0,44 | X | | | | X |
| 23,7/5386 | 33,9 | 1,05 | X | | | | X |
| 42,3/9614 | 55,8 | 1,90 | X | | X | | X |
| 66,6/15136 | 93,9 | 3,09 | X | | X | | X |
| 95,4/21682 | 129,6 | 4,54 | X | | X | | X |
| 170,1/38659 | 222,9 | 7,89 | X | | X | | X |
| 265,5/60341 | 322,8 | 11,77 | | | X | | X |
| 381,0/86591 | 489,3 | 17,53 | | | X | | X |
| 517,2/117545 | 667,5 | 22,20 | | | X | | X |
| 680,4/154636 | 800,7 | 30,02 | | | X | | X |
| 840,7/191068 | 1083,3 | 38,22 | | | X | | X |
| 1061,4/241227 | 1400,4 | 49,03 | | | X | | X |
| 1530,9/347932 | 2014,8 | 71,60 | | | X | | X |



Solution
range



Donghua ZT+ roller chains are coated with the exact same zinc aluminium compound. Only the pins are chemical nickel plated. These chemical nickel plated pins do have a surface hardness of 1,000 HV and offer improved wear resistance. The corrosion resistance of these chemical nickel plated pins is excellent. All Donghua roller chains are: Pre-loaded, Fatigue resistant, Wear resistant and Pre-lubricated. Donghua simplex, duplex and triplex roller chains are manufactured according to ISO 606 DIN8187, standard pre-loaded, pre-lubricated, do have seamless rollers and are marked with production batch code number for complete traceability. All Donghua roller chains are sealed in plastic bags and packed in cardboard boxes with clear ISO 606 DIN descriptions and safety instructions. Standard packaging size is 5 meter box, reels are available on request. Cut to length service is available on request. Several test certificates like breaking load, length tolerance and material analyses are possible and available on request. Rollers chains which are needed for 'run as pairs' applications can be matched as pairs on request. DIN, 1/2DIN and 1/3DIN length tolerance are possible, please ask us for a quotation. For high temperature, low temperature, food application or special environments different kind of special lubricants are available. Please ask our sales team for any special needs. For drive chain calculation and right dimension check, please contact our engineering department, also see drive chain calculation data sheet on page 301. By filling this data sheet and sending this to our engineering department you will receive a detailed drive chain calculation including life time expectation. Sprockets are available for all roller chains, with pilot bore, fixed bore, keyway, setscrew or bearing bore with grooves. Standard toothing, hardened toothing or special toothing are possible with pilot bore, fixed bore or taper bush. Chain tools, tensioners and chain lubricants please see page 302-310.



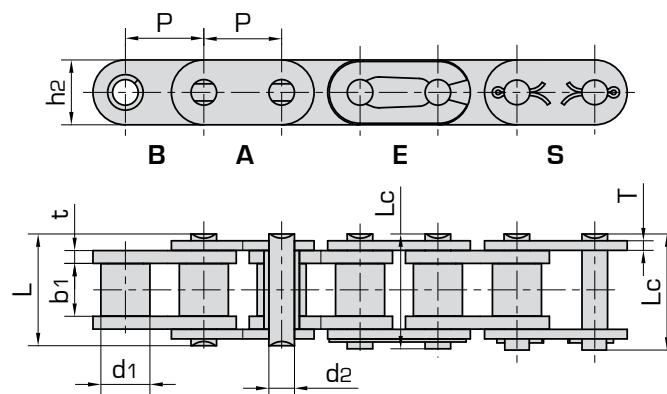


Short pitch precision roller chains (B series)

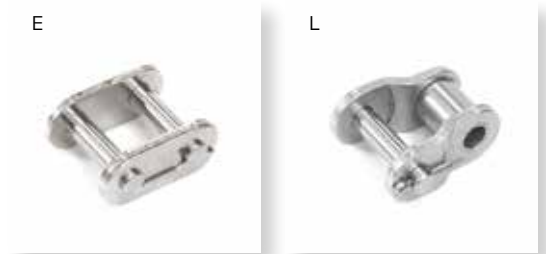
With straight side plates and Nickel Plated

Simplex roller chains

| Part nr. | DIN/ISO 606 Chain no. | Pitch | Roller diameter | Width between inner plates | Pin diameter | Pin length | Inner plate depth | Plate thickness | |
|-------------|-----------------------|--------|-----------------|----------------------------|--------------|------------|-------------------|-----------------|----------|
| | | P | d1 max | b1 min | d2 max | L max | Lc max | h2 max | T max |
| | | mm | mm | mm | mm | mm | mm | mm | mm |
| 10006B-1NP | C06B-1NP | 9,525 | 6,35 | 5,72 | 3,28 | 13,15 | 14,1 | 8,20 | 1,30 |
| 100C08B-1NP | C08B-1NP | 12,700 | 8,51 | 7,75 | 4,45 | 16,70 | 18,2 | 11,80 | 1,60 |
| 100C10B-1NP | C10B-1NP | 15,875 | 10,16 | 9,65 | 5,08 | 19,50 | 20,9 | 14,70 | 1,70 |
| 100C12B-1NP | C12B-1NP | 19,050 | 12,07 | 11,68 | 5,72 | 22,50 | 24,2 | 16,00 | 1,85 |
| 100C16B-1NP | C16B-1NP | 25,400 | 15,88 | 17,02 | 8,28 | 36,10 | 37,4 | 21,00 | 4,15/3,1 |
| 100C20B-1NP | C20B-1NP | 31,750 | 19,05 | 19,56 | 10,19 | 41,30 | 45,0 | 26,40 | 4,50/3,5 |
| 100C24B-1NP | C24B-1NP | 38,100 | 25,40 | 25,40 | 14,63 | 53,40 | 57,8 | 33,20 | 6,00/4,8 |
| 100C28B-1NP | C28B-1NP | 44,450 | 27,94 | 30,99 | 15,90 | 65,10 | 69,5 | 36,70 | 7,50/6,0 |
| 100C32B-1NP | C32B-1NP | 50,800 | 29,21 | 30,99 | 17,81 | 66,00 | 71,0 | 42,00 | 7,00/6,0 |



| Ultimate tensile strength | Average tensile strength | Weight per meter | Available chain parts | | | | | |
|---------------------------|--------------------------|------------------|-----------------------|---|---|---|---|---|
| $Q_{min} Q_{min}$ | $Q_0 Q_0$ | $q \quad q$ | | | | | | |
| kN/lbf | kN | kg/m | E | S | L | C | A | B |
| 9,0/2045 | 10,4 | 0,41 | X | | X | | | |
| 18,0/4091 | 19,4 | 0,69 | X | | X | | | |
| 22,4/5091 | 27,5 | 0,93 | X | | X | | | |
| 29,0/6591 | 32,2 | 1,15 | X | | X | | | |
| 60,0/13636 | 72,8 | 2,71 | X | | X | | | |
| 95,0/21591 | 106,7 | 3,70 | X | | X | | | |
| 160,0/36364 | 178,0 | 7,10 | | | X | | | |
| 200,0/45455 | 222,0 | 8,50 | | | X | | | |
| 250,0/56818 | 277,5 | 10,25 | | | X | | | |



Solution range



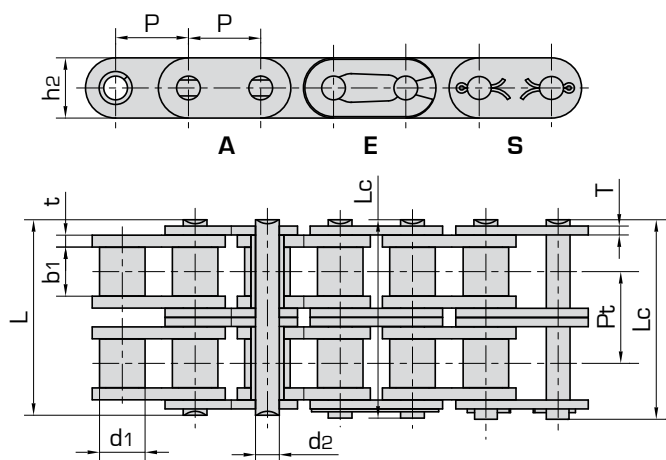
Donghua Nickel Plated Roller Chains are developed to offer good wear and good corrosion resistance. For special applications we deliver Chemical Nickel Plating on request. All Donghua roller chains are: Pre-loaded, Fatigue resistant, Wear resistant and Pre-lubricated. Donghua simplex, duplex and triplex roller chains are manufactured according to ISO 606 DIN8187, standard pre-loaded, pre-lubricated, do have seamless rollers and are marked with production batch code number for complete traceability. All Donghua roller chains are sealed in plastic bags and packed in cardboard boxes with clear ISO 606 DIN descriptions and safety instructions. Standard packaging size is 5 meter box, reels are available on request. Cut to length service is available on request. Several test certificates like breaking load, length tolerance and material analyses are possible and available on request. Rollers chains which are needed for 'run as pairs' applications can be matched as pairs on request. DIN, 1/2DIN and 1/3DIN length tolerance are possible, please ask us for a quotation. For high temperature, low temperature, food application or special environments different kind of special lubricants are available. Please ask our sales team for any special needs. For drive chain calculation and right dimension check, please contact our engineering department, also see drive chain calculation data sheet on page 301. By filling this data sheet and sending this to our engineering department you will receive a detailed drive chain calculation including life time expectation. Sprockets are available for all roller chains, with pilot bore, fixed bore, keyway, setscrew or bearing bore with grooves. Standard toothing, hardened toothing or special toothing are possible with pilot bore, fixed bore or taper bush. Chain tools, tensioners and chain lubricants please see page 302-310.

Short pitch precision roller chains (B series)

With straight side plates and Nickel Plated

Duplex roller chains

| Part nr. | DIN/ISO 606 Chain no. | Pitch | Roller diameter | Width between inner plates | Pin diameter | Pin length | Inner plate depth | Plate thickness | Transverse pitch | |
|-------------|-----------------------|--------|-----------------|----------------------------|--------------|------------|-------------------|-----------------|------------------|-------|
| | | P | d1 max | b1 min | d2 max | L max | Lc max | h2 max | T max | |
| | | mm | mm | mm | mm | mm | mm | mm | mm | |
| 10006B-2NP | C06B-2NP | 9,525 | 6,35 | 5,72 | 3,28 | 23,4 | 24,4 | 8,20 | 1,30 | 10,24 |
| 100C08B-2NP | C08B-2NP | 12,700 | 8,51 | 7,75 | 4,45 | 31,0 | 32,2 | 11,80 | 1,60 | 13,92 |
| 100C10B-2NP | C10B-2NP | 15,875 | 10,16 | 9,65 | 5,08 | 36,1 | 37,5 | 14,70 | 1,70 | 16,59 |
| 100C12B-2NP | C12B-2NP | 19,050 | 12,07 | 11,68 | 5,72 | 42,0 | 43,6 | 16,00 | 1,85 | 19,46 |
| 100C16B-2NP | C16B-2NP | 25,400 | 15,88 | 17,02 | 8,28 | 68,0 | 69,3 | 21,00 | 4,15/3,1 | 31,88 |
| 100C20B-2NP | C20B-2NP | 31,750 | 19,05 | 19,56 | 10,19 | 77,8 | 81,5 | 26,40 | 4,50/3,5 | 36,45 |
| 100C24B-2NP | C24B-2NP | 38,100 | 25,40 | 25,40 | 14,63 | 101,7 | 106,2 | 33,20 | 6,00/4,8 | 48,36 |
| 100C28B-2NP | C28B-2NP | 44,450 | 27,94 | 30,99 | 15,90 | 124,6 | 129,1 | 36,70 | 7,50/6,0 | 59,56 |
| 100C32B-2NP | C32B-2NP | 50,800 | 29,21 | 30,99 | 17,81 | 124,6 | 129,6 | 42,00 | 7,00/6,0 | 58,55 |



| Ultimate tensile strength | Average tensile strength | Weight per meter | Available chain parts | | | | |
|---------------------------|--------------------------|------------------|-----------------------|---|---|---|---|
| Q min | Q0 | q | E | S | L | C | A |
| kN/lbf | kN | kg/m | | | | | |
| 16,9/3841 | 18,7 | 0,77 | X | | X | | |
| 32,0/7273 | 38,7 | 1,34 | X | | X | | |
| 44,5/10114 | 56,2 | 1,84 | X | | X | | |
| 57,8/13136 | 66,1 | 2,31 | X | | X | | |
| 106,0/24091 | 133,0 | 5,42 | X | | X | | |
| 170,0/38636 | 211,2 | 7,20 | | | X | | |
| 280,0/63636 | 319,2 | 13,40 | | | X | | |
| 360,0/81818 | 406,8 | 16,60 | | | X | | |
| 450,0/102273 | 508,5 | 21,00 | | | X | | |



Solution range



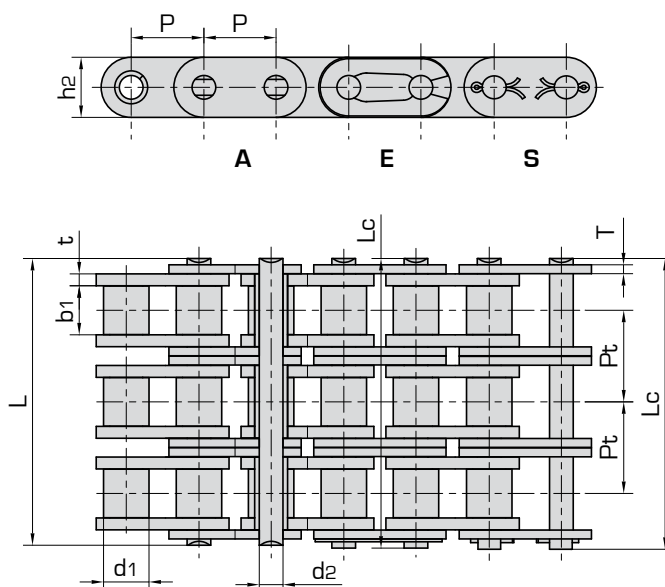
Donghua Nickel Plated Roller Chains are developed to offer good wear and good corrosion resistance. For special applications we deliver Chemical Nickel Plating on request. All Donghua roller chains are: Pre-loaded, Fatigue resistant, Wear resistant and Pre-lubricated. Donghua simplex, duplex and triplex roller chains are manufactured according to ISO 606 DIN8187, standard pre-loaded, pre-lubricated, do have seamless rollers and are marked with production batch code number for complete traceability. All Donghua roller chains are sealed in plastic bags and packed in cardboard boxes with clear ISO 606 DIN descriptions and safety instructions. Standard packaging size is 5 meter box, reels are available on request. Cut to length service is available on request. Several test certificates like breaking load, length tolerance and material analyses are possible and available on request. Rollers chains which are needed for 'run as pairs' applications can be matched as pairs on request. DIN, 1/2DIN and 1/3DIN length tolerance are possible, please ask us for a quotation. For high temperature, low temperature, food application or special environments different kind of special lubricants are available. Please ask our sales team for any special needs. For drive chain calculation and right dimension check, please contact our engineering department, also see drive chain calculation data sheet on page 301. By filling this data sheet and sending this to our engineering department you will receive a detailed drive chain calculation including life time expectation. Sprockets are available for all roller chains, with pilot bore, fixed bore, keyway, setscrew or bearing bore with grooves. Standard toothing, hardened toothing or special toothing are possible with pilot bore, fixed bore or taper bush. Chain tools, tensioners and chain lubricants please see page 302-310.

Short pitch precision roller chains (B series)

With straight side plates and Nickel Plated

Triplex roller chains

| Part nr. | DIN/ISO 606 Chain no. | Pitch | Roller diameter | Width between inner plates | Pin diameter | Pin length | Inner plate depth | Plate thickness | Transverse pitch | |
|-------------|-----------------------|--------|-----------------|----------------------------|--------------|------------|-------------------|-----------------|------------------|-------|
| | | P | d1 max | b1 min | d2 max | L max | Lc max | h2 max | T max | |
| | | mm | mm | mm | mm | mm | mm | mm | mm | |
| 10006B-3NP | C06B-3NP | 9,525 | 6,35 | 5,72 | 3,28 | 33,5 | 34,6 | 8,20 | 1,30 | 10,24 |
| 100C08B-3NP | C08B-3NP | 12,700 | 8,51 | 7,75 | 4,45 | 45,1 | 46,1 | 11,80 | 1,60 | 13,92 |
| 100C10B-3NP | C10B-3NP | 15,875 | 10,16 | 9,65 | 5,08 | 52,7 | 54,1 | 14,70 | 1,70 | 16,59 |
| 100C12B-3NP | C12B-3NP | 19,050 | 12,07 | 11,68 | 5,72 | 61,5 | 63,1 | 16,00 | 1,85 | 19,46 |
| 100C16B-3NP | C16B-3NP | 25,400 | 15,88 | 17,02 | 8,28 | 99,8 | 101,2 | 21,00 | 4,15/3,1 | 31,88 |
| 100C20B-3NP | C20B-3NP | 31,750 | 19,05 | 19,56 | 10,19 | 114,2 | 117,9 | 26,40 | 4,50/3,5 | 36,45 |
| 100C24B-3NP | C24B-3NP | 38,100 | 25,40 | 25,40 | 14,63 | 150,1 | 154,6 | 33,20 | 6,00/4,8 | 48,36 |
| 100C28B-3NP | C28B-3NP | 44,450 | 27,94 | 30,99 | 15,90 | 184,2 | 188,7 | 36,70 | 7,50/6,0 | 59,56 |
| 100C32B-3NP | C32B-3NP | 50,800 | 29,21 | 30,99 | 17,81 | 183,2 | 188,2 | 42,00 | 7,00/6,0 | 58,55 |



| Ultimate tensile strength | Average tensile strength | Weight per meter | Available chain parts | | | | |
|---------------------------|--------------------------|------------------|-----------------------|---|---|---|---|
| Q min | Q0 | q | E | S | L | C | A |
| kN/lbf | kN | kg/m | | | | | |
| 24,9/5659 | 30,1 | 1,16 | X | | X | | |
| 47,5/10795 | 57,8 | 2,03 | X | | X | | |
| 66,7/15159 | 84,5 | 2,77 | X | | X | | |
| 86,7/19705 | 101,8 | 3,46 | X | | X | | |
| 160,0/36364 | 203,7 | 8,13 | X | | X | | |
| 250,0/56818 | 290,0 | 10,82 | | | X | | |
| 425,0/96591 | 493,0 | 20,10 | | | X | | |
| 530,0/120454 | 609,5 | 24,92 | | | X | | |
| 670,0/152273 | 770,5 | 31,56 | | | X | | |



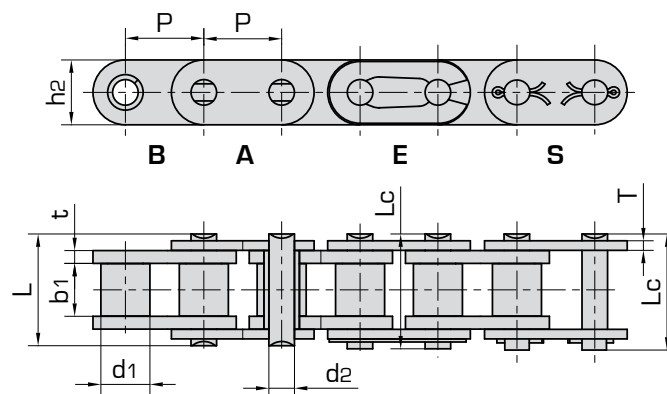
Donghua Nickel Plated Roller Chains are developed to offer good wear and good corrosion resistance. For special applications we deliver Chemical Nickel Plating on request. All Donghua roller chains are: Pre-loaded, Fatigue resistant, Wear resistant and Pre-lubricated. Donghua simplex, duplex and triplex roller chains are manufactured according to ISO 606 DIN8187, standard pre-loaded, pre-lubricated, do have seamless rollers and are marked with production batch code number for complete traceability. All Donghua roller chains are sealed in plastic bags and packed in cardboard boxes with clear ISO 606 DIN descriptions and safety instructions. Standard packaging size is 5 meter box, reels are available on request. Cut to length service is available on request. Several test certificates like breaking load, length tolerance and material analyses are possible and available on request. Rollers chains which are needed for 'run as pairs' applications can be matched as pairs on request. DIN, 1/2DIN and 1/3DIN length tolerance are possible, please ask us for a quotation. For high temperature, low temperature, food application or special environments different kind of special lubricants are available. Please ask our sales team for any special needs. For drive chain calculation and right dimension check, please contact our engineering department, also see drive chain calculation data sheet on page 301. By filling this data sheet and sending this to our engineering department you will receive a detailed drive chain calculation including life time expectation. Sprockets are available for all roller chains, with pilot bore, fixed bore, keyway, setscrew or bearing bore with grooves. Standard toothing, hardened toothing or special toothing are possible with pilot bore, fixed bore or taper bush. Chain tools, tensioners and chain lubricants please see page 302-310.

Short pitch precision roller chains (B series)

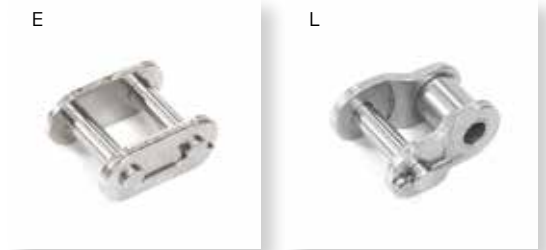
With straight side plates and Zinc Plated

Simplex roller chains

| Part nr. | DIN/ISO 606 Chain no. | Pitch | Roller diameter | Width between inner plates | Pin diameter | Pin length | Inner plate depth | Plate thickness | |
|-------------|-----------------------|--------|-----------------|----------------------------|--------------|------------|-------------------|-----------------|----------|
| | | P | d1 max | b1 min | d2 max | L max | Lc max | h2 max | T max |
| | | mm | mm | mm | mm | mm | mm | mm | mm |
| 10006B-1ZP | C06B-1ZP | 9,525 | 6,35 | 5,72 | 3,28 | 13,15 | 14,1 | 8,20 | 1,30 |
| 100C08B-1ZP | C08B-1ZP | 12,700 | 8,51 | 7,75 | 4,45 | 16,70 | 18,2 | 11,80 | 1,60 |
| 100C10B-1ZP | C10B-1ZP | 15,875 | 10,16 | 9,65 | 5,08 | 19,50 | 20,9 | 14,70 | 1,70 |
| 100C12B-1ZP | C12B-1ZP | 19,050 | 12,07 | 11,68 | 5,72 | 22,50 | 24,2 | 16,00 | 1,85 |
| 100C16B-1ZP | C16B-1ZP | 25,400 | 15,88 | 17,02 | 8,28 | 36,10 | 37,4 | 21,00 | 4,15/3,1 |
| 100C20B-1ZP | C20B-1ZP | 31,750 | 19,05 | 19,56 | 10,19 | 41,30 | 45,0 | 26,40 | 4,50/3,5 |
| 100C24B-1ZP | C24B-1ZP | 38,100 | 25,40 | 25,40 | 14,63 | 53,40 | 57,8 | 33,20 | 6,00/4,8 |
| 100C28B-1ZP | C28B-1ZP | 44,450 | 27,94 | 30,99 | 15,90 | 65,10 | 69,5 | 36,70 | 7,50/6,0 |
| 100C32B-1ZP | C32B-1ZP | 50,800 | 29,21 | 30,99 | 17,81 | 66,00 | 71,0 | 42,00 | 7,00/6,0 |



| Ultimate tensile strength | Average tensile strength | Weight per meter | Available chain parts | | | | | |
|---------------------------|--------------------------|------------------|-----------------------|---|---|---|---|---|
| Q min | Q0 | q | E | S | L | C | A | B |
| kN/lbf | kN | kg/m | | | | | | |
| 9,0/2045 | 10,4 | 0,41 | X | | X | | | |
| 18,0/4091 | 19,4 | 0,69 | X | | X | | | |
| 22,4/5091 | 27,5 | 0,93 | X | | X | | | |
| 29,0/6591 | 32,2 | 1,15 | X | | X | | | |
| 60,0/13636 | 72,8 | 2,71 | X | | X | | | |
| 95,0/21591 | 106,7 | 3,70 | X | | X | | | |
| 160,0/36364 | 178,0 | 7,10 | | | X | | | |
| 200,0/45455 | 222,0 | 8,50 | | | X | | | |
| 250,0/56818 | 277,5 | 10,25 | | | X | | | |



Solution
range



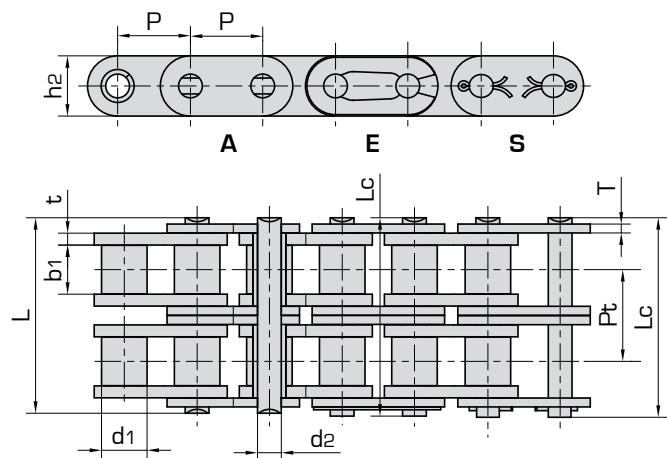
Donghua Zinc Plated Roller Chains are developed to offer good wear and good corrosion resistance. For special applications we deliver the new developed ZinTek Coating on request. All Donghua roller chains are: Pre-loaded, Fatigue resistant, Wear resistant and Pre-lubricated. Donghua simplex, duplex and triplex roller chains are manufactured according to ISO 606 DIN8187, standard pre-loaded, pre-lubricated, do have seamless rollers and are marked with production batch code number for complete traceability. All Donghua roller chains are sealed in plastic bags and packed in cardboard boxes with clear ISO 606 DIN descriptions and safety instructions. Standard packaging size is 5 meter box, reels are available on request. Cut to length service is available on request. Several test certificates like breaking load, length tolerance and material analyses are possible and available on request. Rollers chains which are needed for 'run as pairs' applications can be matched as pairs on request. DIN, 1/2DIN and 1/3DIN length tolerance are possible, please ask us for a quotation. For high temperature, low temperature, food application or special environments different kind of special lubricants are available. Please ask our sales team for any special needs. For drive chain calculation and right dimension check, please contact our engineering department, also see drive chain calculation data sheet on page 301. By filling this data sheet and sending this to our engineering department you will receive a detailed drive chain calculation including life time expectation. Sprockets are available for all roller chains, with pilot bore, fixed bore, keyway, setscrew or bearing bore with grooves. Standard toothing, hardened toothing or special toothing are possible with pilot bore, fixed bore or taper bush. Chain tools, tensioners and chain lubricants please see page 302-310.

Short pitch precision roller chains (B series)

With straight side plates and Zinc Plated

Duplex roller chains

| Part nr. | DIN/ISO 606 Chain no. | Pitch | Roller diameter | Width between inner plates | Pin diameter | Pin length | Inner plate depth | Plate thickness | Transverse pitch | |
|-------------|-----------------------|--------|-----------------|----------------------------|--------------|------------|-------------------|-----------------|------------------|-------|
| | | P | d1 max | b1 min | d2 max | L max | Lc max | h2 max | T max | |
| | | mm | mm | mm | mm | mm | mm | mm | mm | |
| 10006B-2ZP | C06B-2ZP | 9,525 | 6,35 | 5,72 | 3,28 | 23,4 | 24,4 | 8,20 | 1,30 | 10,24 |
| 100C08B-2ZP | C08B-2ZP | 12,700 | 8,51 | 7,75 | 4,45 | 31,0 | 32,2 | 11,80 | 1,60 | 13,92 |
| 100C10B-2ZP | C10B-2ZP | 15,875 | 10,16 | 9,65 | 5,08 | 36,1 | 37,5 | 14,70 | 1,70 | 16,59 |
| 100C12B-2ZP | C12B-2ZP | 19,050 | 12,07 | 11,68 | 5,72 | 42,0 | 43,6 | 16,00 | 1,85 | 19,46 |
| 100C16B-2ZP | C16B-2ZP | 25,400 | 15,88 | 17,02 | 8,28 | 68,0 | 69,3 | 21,00 | 4,15/3,1 | 31,88 |
| 100C20B-2ZP | C20B-2ZP | 31,750 | 19,05 | 19,56 | 10,19 | 77,8 | 81,5 | 26,40 | 4,50/3,5 | 36,45 |
| 100C24B-2ZP | C24B-2ZP | 38,100 | 25,40 | 25,40 | 14,63 | 101,7 | 106,2 | 33,20 | 6,00/4,8 | 48,36 |
| 100C28B-2ZP | C28B-2ZP | 44,450 | 27,94 | 30,99 | 15,90 | 124,6 | 129,1 | 36,70 | 7,50/6,0 | 59,56 |
| 100C32B-2ZP | C32B-2ZP | 50,800 | 29,21 | 30,99 | 17,81 | 124,6 | 129,6 | 42,00 | 7,00/6,0 | 58,55 |



| Ultimate tensile strength | Average tensile strength | Weight per meter | Available chain parts | | | | |
|---------------------------|--------------------------|------------------|-----------------------|---|---|---|---|
| Q min | Q0 | q | E | S | L | C | A |
| kN/lbf | kN | kg/m | | | | | |
| 16,9/3841 | 18,7 | 0,77 | X | | X | | |
| 32,0/7273 | 38,7 | 1,34 | X | | X | | |
| 44,5/10114 | 56,2 | 1,84 | X | | X | | |
| 57,8/13136 | 66,1 | 2,31 | X | | X | | |
| 106,0/24091 | 133,0 | 5,42 | X | | X | | |
| 170,0/38636 | 211,2 | 7,20 | | | X | | |
| 280,0/63636 | 319,2 | 13,40 | | | X | | |
| 360,0/81818 | 406,8 | 16,60 | | | X | | |
| 450,0/102273 | 508,5 | 21,00 | | | X | | |



Solution range



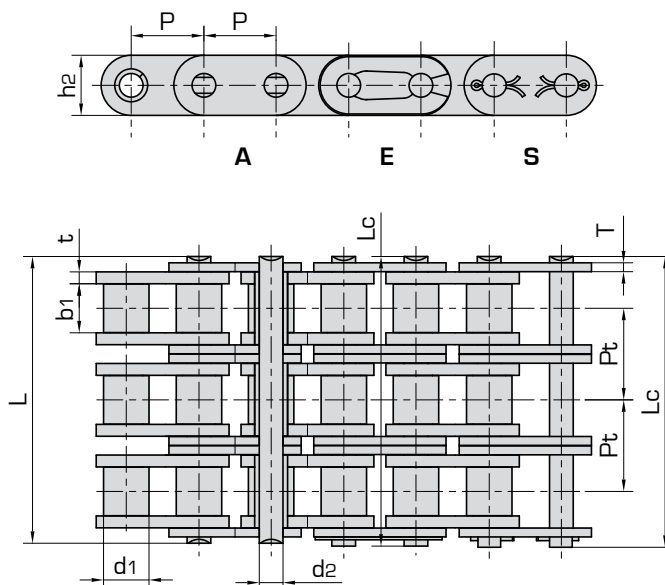
Donghua Zinc Plated Roller Chains are developed to offer good wear and good corrosion resistance. For special applications we deliver the new developed ZinTek Coating on request. All Donghua roller chains are: Pre-loaded, Fatigue resistant, Wear resistant and Pre-lubricated. Donghua simplex, duplex and triplex roller chains are manufactured according to ISO 606 DIN8187, standard pre-loaded, pre-lubricated, do have seamless rollers and are marked with production batch code number for complete traceability. All Donghua roller chains are sealed in plastic bags and packed in cardboard boxes with clear ISO 606 DIN descriptions and safety instructions. Standard packaging size is 5 meter box, reels are available on request. Cut to length service is available on request. Several test certificates like breaking load, length tolerance and material analyses are possible and available on request. Rollers chains which are needed for 'run as pairs' applications can be matched as pairs on request. DIN, 1/2DIN and 1/3DIN length tolerance are possible, please ask us for a quotation. For high temperature, low temperature, food application or special environments different kind of special lubricants are available. Please ask our sales team for any special needs. For drive chain calculation and right dimension check, please contact our engineering department, also see drive chain calculation data sheet on page 301. By filling this data sheet and sending this to our engineering department you will receive a detailed drive chain calculation including life time expectation. Sprockets are available for all roller chains, with pilot bore, fixed bore, keyway, setscrew or bearing bore with grooves. Standard toothing, hardened toothing or special toothing are possible with pilot bore, fixed bore or taper bush. Chain tools, tensioners and chain lubricants please see page 302-310.

Short pitch precision roller chains (B series)

With straight side plates and Zinc Plated

Triplex roller chains

| Part nr. | DIN/ISO 606 Chain no. | Pitch | Roller diameter | Width between inner plates | Pin diameter | Pin length | Inner plate depth | Plate thickness | Transverse pitch | |
|--------------------|-----------------------|--------|-----------------|----------------------------|--------------|------------|-------------------|-----------------|------------------|-------|
| | | P | d1 max | b1 min | d2 max | L max | Lc max | h2 max | T max | |
| | | mm | mm | mm | mm | mm | mm | mm | mm | |
| 10006B-3ZP | C06B-3ZP | 9,525 | 6,35 | 5,72 | 3,28 | 33,5 | 34,6 | 8,20 | 1,30 | 10,24 |
| 100C08B-3ZP | C08B-3ZP | 12,700 | 8,51 | 7,75 | 4,45 | 45,1 | 46,1 | 11,80 | 1,60 | 13,92 |
| 100C10B-3ZP | C10B-3ZP | 15,875 | 10,16 | 9,65 | 5,08 | 52,7 | 54,1 | 14,70 | 1,70 | 16,59 |
| 100C12B-3ZP | C12B-3ZP | 19,050 | 12,07 | 11,68 | 5,72 | 61,5 | 63,1 | 16,00 | 1,85 | 19,46 |
| 100C16B-3ZP | C16B-3ZP | 25,400 | 15,88 | 17,02 | 8,28 | 99,8 | 101,2 | 21,00 | 4,15/3,1 | 31,88 |
| 100C20B-3ZP | C20B-3ZP | 31,750 | 19,05 | 19,56 | 10,19 | 114,2 | 117,9 | 26,40 | 4,50/3,5 | 36,45 |
| 100C24B-3ZP | C24B-3ZP | 38,100 | 25,40 | 25,40 | 14,63 | 150,1 | 154,6 | 33,20 | 6,00/4,8 | 48,36 |
| 100C28B-3ZP | C28B-3ZP | 44,450 | 27,94 | 30,99 | 15,90 | 184,2 | 188,7 | 36,70 | 7,50/6,0 | 59,56 |
| 100C32B-3ZP | C32B-3ZP | 50,800 | 29,21 | 30,99 | 17,81 | 183,2 | 188,2 | 42,00 | 7,00/6,0 | 58,55 |



| Ultimate tensile strength | Average tensile strength | Weight per meter | Available chain parts | | | | |
|---------------------------|--------------------------|------------------|-----------------------|---|---|---|---|
| Q min | Q0 | q | E | S | L | C | A |
| kN/lbf | kN | kg/m | | | | | |
| 24,9/5659 | 30,1 | 1,16 | X | | X | | |
| 47,5/10795 | 57,8 | 2,03 | X | | X | | |
| 66,7/15159 | 84,5 | 2,77 | X | | X | | |
| 86,7/19705 | 101,8 | 3,46 | X | | X | | |
| 160,0/36364 | 203,7 | 8,13 | X | | X | | |
| 250,0/56818 | 290,0 | 10,82 | | | X | | |
| 425,0/96591 | 493,0 | 20,10 | | | X | | |
| 530,0/120454 | 609,5 | 24,92 | | | X | | |
| 670,0/152273 | 770,5 | 31,56 | | | X | | |



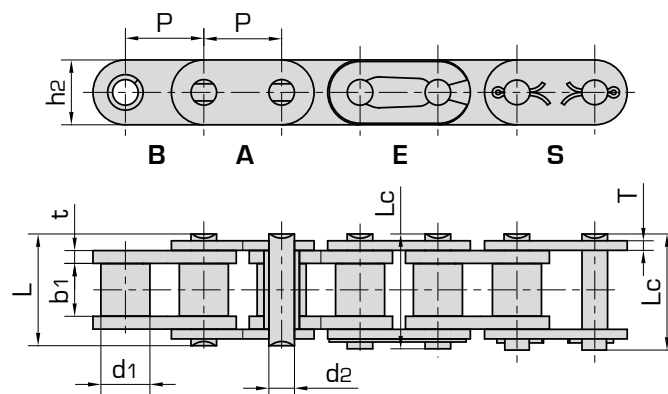
Donghua Zinc Plated Roller Chains are developed to offer good wear and good corrosion resistance. For special applications we deliver the new developed ZinTek Coating on request. All Donghua roller chains are: Pre-loaded, Fatigue resistant, Wear resistant and Pre-lubricated. Donghua simplex, duplex and triplex roller chains are manufactured according to ISO 606 DIN8187, standard pre-loaded, pre-lubricated, do have seamless rollers and are marked with production batch code number for complete traceability. All Donghua roller chains are sealed in plastic bags and packed in cardboard boxes with clear ISO 606 DIN descriptions and safety instructions. Standard packaging size is 5 meter box, reels are available on request. Cut to length service is available on request. Several test certificates like breaking load, length tolerance and material analyses are possible and available on request. Rollers chains which are needed for 'run as pairs' applications can be matched as pairs on request. DIN, 1/2DIN and 1/3DIN length tolerance are possible, please ask us for a quotation. For high temperature, low temperature, food application or special environments different kind of special lubricants are available. Please ask our sales team for any special needs. For drive chain calculation and right dimension check, please contact our engineering department, also see drive chain calculation data sheet on page 301. By filling this data sheet and sending this to our engineering department you will receive a detailed drive chain calculation including life time expectation. Sprockets are available for all roller chains, with pilot bore, fixed bore, keyway, setscrew or bearing bore with grooves. Standard toothing, hardened toothing or special toothing are possible with pilot bore, fixed bore or taper bush. Chain tools, tensioners and chain lubricants please see page 302-310.

Short pitch precision roller chains (B series)

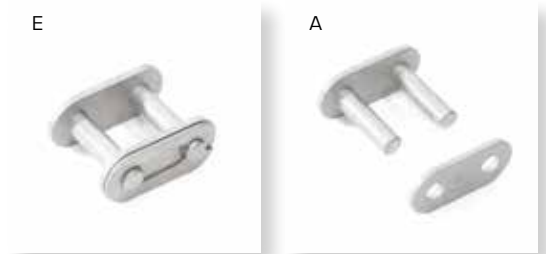
With straight side plate ZT+ coated (ZinTek including chemical nickel plated pins)

Simplex roller chains

| Part nr. | DIN/ISO 606 Chain no. | Pitch | Roller diameter | Width between inner plates | Pin diameter | Pin length | | Inner plate depth | Plate thickness |
|--------------|-----------------------|--------|-----------------|----------------------------|--------------|------------|--------|-------------------|-----------------|
| | | P | d1 max | b1 min | d2 max | L max | Lc max | h2 max | T max |
| | | mm | mm | mm | mm | mm | mm | mm | mm |
| 14506B-1ZT+ | C06B-1ZT+ | 9,525 | 6,35 | 5,72 | 3,28 | 13,15 | 14,1 | 8,20 | 1,30 |
| 145C08B-1ZT+ | C08B-1ZT+ | 12,700 | 8,51 | 7,75 | 4,45 | 16,70 | 18,2 | 11,80 | 1,60 |
| 145C10B-1ZT+ | C10B-1ZT+ | 15,875 | 10,16 | 9,65 | 5,08 | 19,50 | 20,9 | 14,70 | 1,70 |
| 145C12B-1ZT+ | C12B-1ZT+ | 19,050 | 12,07 | 11,68 | 5,72 | 22,50 | 24,2 | 16,00 | 1,85 |
| 145C16B-1ZT+ | C16B-1ZT+ | 25,400 | 15,88 | 17,02 | 8,28 | 36,10 | 37,4 | 21,00 | 4,15/3,1 |
| 145C20B-1ZT+ | C20B-1ZT+ | 31,750 | 19,05 | 19,56 | 10,19 | 41,30 | 45,0 | 26,40 | 4,50/3,5 |
| 145C24B-1ZT+ | C24B-1ZT+ | 38,100 | 25,40 | 25,40 | 14,63 | 53,40 | 57,8 | 33,20 | 6,00/4,8 |
| 145C28B-1ZT+ | C28B-1ZT+ | 44,450 | 27,94 | 30,99 | 15,90 | 65,10 | 69,5 | 36,70 | 7,50/6,0 |
| 145C32B-1ZT+ | C32B-1ZT+ | 50,800 | 29,21 | 30,99 | 17,81 | 66,00 | 71,0 | 42,00 | 7,00/6,0 |



| Ultimate tensile strength | Average tensile strength | Weight per meter | Available chain parts | | | | | |
|---------------------------|--------------------------|------------------|-----------------------|---|---|---|---|---|
| $Q_{min} Q_{min}$ | $Q_0 Q_0$ | $q \quad q$ | | | | | | |
| kN/lbf | kN | kg/m | E | S | L | C | A | B |
| 9,0/2045 | 10,4 | 0,41 | X | | | | X | |
| 18,0/4091 | 19,4 | 0,69 | X | | | | X | |
| 22,4/5091 | 27,5 | 0,93 | X | | | | X | |
| 29,0/6591 | 32,2 | 1,15 | X | | | | X | |
| 60,0/13636 | 77,1 | 2,71 | X | | | | X | |
| 95,0/21591 | 112,8 | 3,70 | X | | | | X | |
| 160,0/36364 | 178,0 | 7,10 | | | | | X | |
| 200,0/45455 | 236,4 | 8,50 | | | | | X | |
| 250,0/56818 | 277,5 | 10,25 | | | | | X | |



Solution range



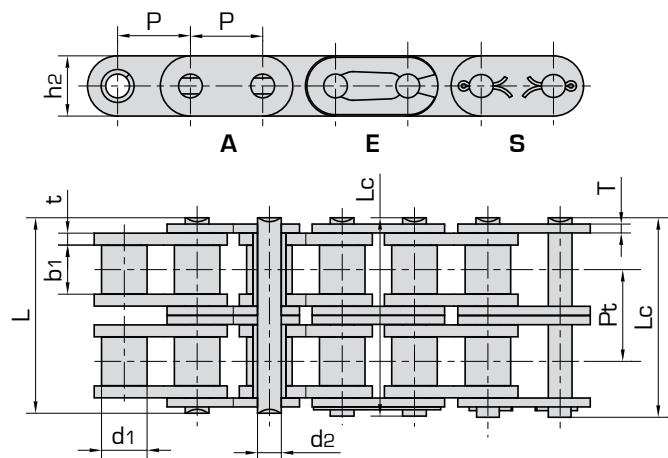
Donghua ZT+ roller chains are coated with the exact same zinc aluminium compound. Only the pins are chemical nickel plated. These chemical nickel plated pins do have a surface hardness of 1,000 HV and offers improved wear resistance. The corrosion resistance of these chemical nickel plated pins is excellent. All Donghua roller chains are: Pre-loaded, Fatigue resistant, Wear resistant and Pre-lubricated. Donghua simplex, duplex and triplex roller chains are manufactured according to ISO 606 DIN8187, standard pre-loaded, pre-lubricated, do have seamless rollers and are marked with production batch code number for complete traceability. All Donghua roller chains are sealed in plastic bags and packed in cardboard boxes with clear ISO 606 DIN descriptions and safety instructions. Standard packaging size is 5 meter box, reels are available on request. Cut to length service is available on request. Several test certificates like breaking load, length tolerance and material analyses are possible and available on request. Rollers chains which are needed for 'run as pairs' applications can be matched as pairs on request. DIN, 1/2DIN and 1/3DIN length tolerance are possible, please ask us for a quotation. For high temperature, low temperature, food application or special environments different kind of special lubricants are available. Please ask our sales team for any special needs. For drive chain calculation and right dimension check, please contact our engineering department, also see drive chain calculation data sheet on page 301. By filling this data sheet and sending this to our engineering department you will receive a detailed drive chain calculation including life time expectation. Sprockets are available for all roller chains, with pilot bore, fixed bore, keyway, setscrew or bearing bore with grooves. Standard toothing, hardened toothing or special toothing are possible with pilot bore, fixed bore or taper bush. Chain tools, tensioners and chain lubricants please see page 302-310.

Short pitch precision roller chains (B series)

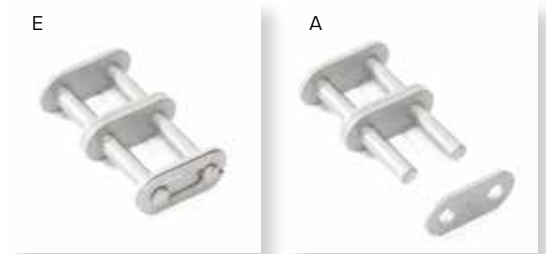
With straight side plate ZT+ coated (ZinTek including chemical nickel plated pins)

Duplex roller chains

| Part nr. | DIN/ISO 606 Chain no. | Pitch | Roller diameter | Width between inner plates | Pin diameter | Pin length | | Inner plate depth | Plate thickness | Transverse pitch |
|--------------|-----------------------|--------|-----------------|----------------------------|--------------|------------|--------|-------------------|-----------------|------------------|
| | | P | d1 max | b1 min | d2 max | L max | Lc max | h2 max | T max | |
| | | mm | mm | mm | mm | mm | mm | mm | mm | |
| 14506B-2ZT+ | C06B-2ZT+ | 9,525 | 6,35 | 5,72 | 3,28 | 23,4 | 24,4 | 8,20 | 1,30 | 10,24 |
| 145C08B-2ZT+ | C08B-2ZT+ | 12,700 | 8,51 | 7,75 | 4,45 | 31,0 | 32,2 | 11,80 | 1,60 | 13,92 |
| 145C10B-2ZT+ | C10B-2ZT+ | 15,875 | 10,16 | 9,65 | 5,08 | 36,1 | 37,5 | 14,70 | 1,70 | 16,59 |
| 145C12B-2ZT+ | C12B-2ZT+ | 19,050 | 12,07 | 11,68 | 5,72 | 42,0 | 43,6 | 16,00 | 1,85 | 19,46 |
| 145C16B-2ZT+ | C16B-2ZT+ | 25,400 | 15,88 | 17,02 | 8,28 | 68,0 | 69,3 | 21,00 | 4,15/3,1 | 31,88 |
| 145C20B-2ZT+ | C20B-2ZT+ | 31,750 | 19,05 | 19,56 | 10,19 | 77,8 | 81,5 | 26,40 | 4,50/3,5 | 36,45 |
| 145C24B-2ZT+ | C24B-2ZT+ | 38,100 | 25,40 | 25,40 | 14,63 | 101,7 | 106,2 | 33,20 | 6,00/4,8 | 48,36 |
| 145C28B-2ZT+ | C28B-2ZT+ | 44,450 | 27,94 | 30,99 | 15,90 | 124,6 | 129,1 | 36,70 | 7,50/6,0 | 59,56 |
| 145C32B-2ZT+ | C32B-2ZT+ | 50,800 | 29,21 | 30,99 | 17,81 | 124,6 | 129,6 | 42,00 | 7,00/6,0 | 58,55 |



| Ultimate tensile strength | Average tensile strength | Weight per meter | Available chain parts | | | | |
|---------------------------|--------------------------|------------------|-----------------------|---|---|---|---|
| Q min | Q0 | q | E | S | L | C | A |
| kN/lbf | kN | kg/m | | | | | |
| 16,9/3841 | 18,7 | 0,77 | X | | | | X |
| 32,0/7273 | 38,7 | 1,34 | X | | | | X |
| 44,5/10114 | 56,2 | 1,84 | X | | | | X |
| 57,8/13136 | 66,1 | 2,31 | X | | | | X |
| 106,0/24091 | 152,0 | 5,42 | X | | | | X |
| 170,0/38636 | 229 | 7,20 | | | | | X |
| 280,0/63636 | 319,2 | 13,40 | | | | | X |
| 360,0/81818 | 406,8 | 16,60 | | | | | X |
| 450,0/102273 | 508,5 | 21,00 | | | | | X |



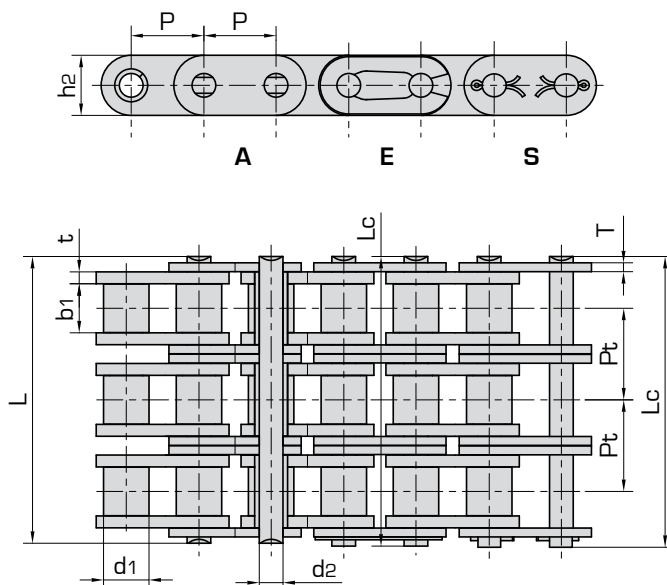
Donghua ZT+ roller chains are coated with the exact same zinc aluminium compound. Only the pins are chemical nickel plated. These chemical nickel plated pins do have a surface hardness of 1,000 HV and offers improved wear resistance. The corrosion resistance of these chemical nickel plated pins is excellent. All Donghua roller chains are: Pre-loaded, Fatigue resistant, Wear resistant and Pre-lubricated. Donghua simplex, duplex and triplex roller chains are manufactured according to ISO 606 DIN8187, standard pre-loaded, pre-lubricated, do have seamless rollers and are marked with production batch code number for complete traceability. All Donghua roller chains are sealed in plastic bags and packed in cardboard boxes with clear ISO 606 DIN descriptions and safety instructions. Standard packaging size is 5 meter box, reels are available on request. Cut to length service is available on request. Several test certificates like breaking load, length tolerance and material analyses are possible and available on request. Rollers chains which are needed for 'run as pairs' applications can be matched as pairs on request. DIN, 1/2DIN and 1/3DIN length tolerance are possible, please ask us for a quotation. For high temperature, low temperature, food application or special environments different kind of special lubricants are available. Please ask our sales team for any special needs. For drive chain calculation and right dimension check, please contact our engineering department, also see drive chain calculation data sheet on page 301. By filling this data sheet and sending this to our engineering department you will receive a detailed drive chain calculation including life time expectation. Sprockets are available for all roller chains, with pilot bore, fixed bore, keyway, setscrew or bearing bore with grooves. Standard toothing, hardened toothing or special toothing are possible with pilot bore, fixed bore or taper bush. Chain tools, tensioners and chain lubricants please see page 302-310.

Short pitch precision roller chains (B series)

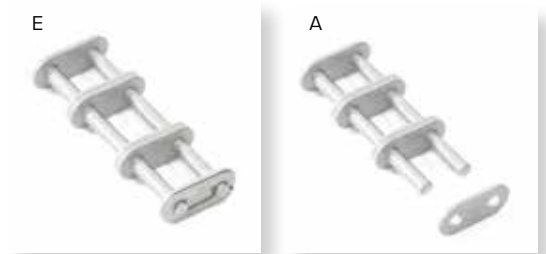
With straight side plate ZT+ coated (ZinTek including chemical nickel plated pins)

Triplex roller chains

| Part nr. | DIN/ISO 606 Chain no. | Pitch | Roller diameter | Width between inner plates | Pin diameter | Pin length | | Inner plate depth | Plate thickness | Transverse pitch |
|---------------------|-----------------------|--------|-----------------|----------------------------|--------------|------------|--------|-------------------|-----------------|------------------|
| | | P | d1 max | b1 min | d2 max | L max | Lc max | h2 max | T max | |
| | | mm | mm | mm | mm | mm | mm | mm | mm | |
| 14506B-3ZT+ | C06B-3ZT+ | 9,525 | 6,35 | 5,72 | 3,28 | 33,5 | 34,6 | 8,20 | 1,30 | 10,24 |
| 145C08B-3ZT+ | C08B-3ZT+ | 12,700 | 8,51 | 7,75 | 4,45 | 45,1 | 46,1 | 11,80 | 1,60 | 13,92 |
| 145C10B-3ZT+ | C10B-3ZT+ | 15,875 | 10,16 | 9,65 | 5,08 | 52,7 | 54,1 | 14,70 | 1,70 | 16,59 |
| 145C12B-3ZT+ | C12B-3ZT+ | 19,050 | 12,07 | 11,68 | 5,72 | 61,5 | 63,1 | 16,00 | 1,85 | 19,46 |
| 145C16B-3ZT+ | C16B-3ZT+ | 25,400 | 15,88 | 17,02 | 8,28 | 99,8 | 101,2 | 21,00 | 4,15/3,1 | 31,88 |
| 145C20B-3ZT+ | C20B-3ZT+ | 31,750 | 19,05 | 19,56 | 10,19 | 114,2 | 117,9 | 26,40 | 4,50/3,5 | 36,45 |
| 145C24B-3ZT+ | C24B-3ZT+ | 38,100 | 25,40 | 25,40 | 14,63 | 150,1 | 154,6 | 33,20 | 6,00/4,8 | 48,36 |
| 145C28B-3ZT+ | C28B-3ZT+ | 44,450 | 27,94 | 30,99 | 15,90 | 184,2 | 188,7 | 36,70 | 7,50/6,0 | 59,56 |
| 145C32B-3ZT+ | C32B-3ZT+ | 50,800 | 29,21 | 30,99 | 17,81 | 183,2 | 188,2 | 42,00 | 7,00/6,0 | 58,55 |



| Ultimate tensile strength | Average tensile strength | Weight per meter | Available chain parts | | | | |
|---------------------------|--------------------------|------------------|-----------------------|---|---|---|---|
| Q min | Q0 | q | E | S | L | C | A |
| kN/lbf | kN | kg/m | | | | | |
| 24,9/5659 | 30,1 | 1,16 | X | | | | X |
| 47,5/10795 | 57,8 | 2,03 | X | | | | X |
| 66,7/15159 | 84,5 | 2,77 | X | | | | X |
| 86,7/19705 | 101,8 | 3,46 | X | | | | X |
| 160,0/36364 | 227,1 | 8,13 | X | | | | X |
| 250,0/56818 | 334,3 | 10,82 | | | | | X |
| 425,0/96591 | 493,0 | 20,10 | | | | | X |
| 530,0/120454 | 609,5 | 24,92 | | | | | X |
| 670,0/152273 | 770,5 | 31,56 | | | | | X |



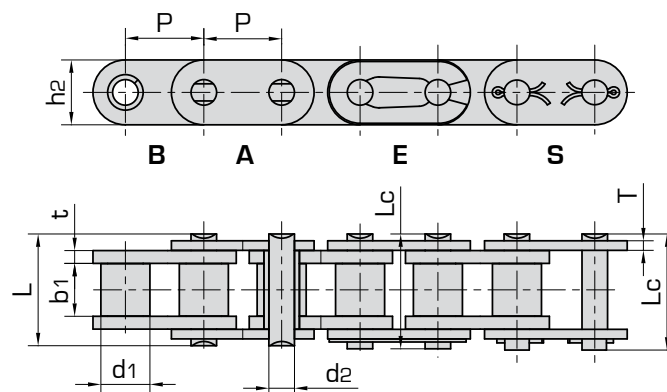
Donghua ZT+ roller chains are coated with the exact same zinc aluminium compound. Only the pins are chemical nickel plated. These chemical nickel plated pins do have a surface hardness of 1,000 HV and offers improved wear resistance. The corrosion resistance of these chemical nickel plated pins is excellent. All Donghua roller chains are: Pre-loaded, Fatigue resistant, Wear resistant and Pre-lubricated. Donghua simplex, duplex and triplex roller chains are manufactured according to ISO 606 DIN8187, standard pre-loaded, pre-lubricated, do have seamless rollers and are marked with production batch code number for complete traceability. All Donghua roller chains are sealed in plastic bags and packed in cardboard boxes with clear ISO 606 DIN descriptions and safety instructions. Standard packaging size is 5 meter box, reels are available on request. Cut to length service is available on request. Several test certificates like breaking load, length tolerance and material analyses are possible and available on request. Roller chains which are needed for 'run as pairs' applications can be matched as pairs on request. DIN, 1/2DIN and 1/3DIN length tolerance are possible, please ask us for a quotation. For high temperature, low temperature, food application or special environments different kind of special lubricants are available. Please ask our sales team for any special needs. For drive chain calculation and right dimension check, please contact our engineering department, also see drive chain calculation data sheet on page 301. By filling this data sheet and sending this to our engineering department you will receive a detailed drive chain calculation including life time expectation. Sprockets are available for all roller chains, with pilot bore, fixed bore, keyway, setscrew or bearing bore with grooves. Standard toothing, hardened toothing or special toothing are possible with pilot bore, fixed bore or taper bush. Chain tools, tensioners and chain lubricants please see page 302-310.

Short pitch precision roller chains (B series)

With straight side plate and hard chromize pins

Simplex roller chains

| Part nr. | DIN/ISO 606 Chain no. | Pitch | Roller diameter | Width between inner plates | Pin diameter | Pin length | | Inner plate depth | Plate thickness |
|-------------|-----------------------|--------|-------------------|----------------------------|-------------------|-----------------|-------------------|-------------------|-----------------|
| | | P | $d_1 \text{ max}$ | $b_1 \text{ min}$ | $d_2 \text{ max}$ | $L \text{ max}$ | $L_c \text{ max}$ | $h_2 \text{ max}$ | $T \text{ max}$ |
| | | mm | mm | mm | mm | mm | mm | mm | mm |
| 14506B-1CP | C06B-1CP | 9,525 | 6,35 | 5,72 | 3,28 | 13,15 | 14,1 | 8,20 | 1,30 |
| 145C08B-1CP | C08B-1CP | 12,700 | 8,51 | 7,75 | 4,45 | 16,70 | 18,2 | 11,80 | 1,60 |
| 145C10B-1CP | C10B-1CP | 15,875 | 10,16 | 9,65 | 5,08 | 19,50 | 20,9 | 14,70 | 1,70 |
| 145C12B-1CP | C12B-1CP | 19,050 | 12,07 | 11,68 | 5,72 | 22,50 | 24,2 | 16,00 | 1,85 |
| 145C16B-1CP | C16B-1CP | 25,400 | 15,88 | 17,02 | 8,28 | 36,10 | 37,4 | 21,00 | 4,15/3,1 |
| 145C20B-1CP | C20B-1CP | 31,750 | 19,05 | 19,56 | 10,19 | 41,30 | 45,0 | 26,40 | 4,50/3,5 |
| 145C24B-1CP | C24B-1CP | 38,100 | 25,40 | 25,40 | 14,63 | 53,40 | 57,8 | 33,20 | 6,00/4,8 |
| 145C28B-1CP | C28B-1CP | 44,450 | 27,94 | 30,99 | 15,90 | 65,10 | 69,5 | 36,70 | 7,50/6,0 |
| 145C32B-1CP | C32B-1CP | 50,800 | 29,21 | 30,99 | 17,81 | 66,00 | 71,0 | 42,00 | 7,00/6,0 |



| Ultimate tensile strength | Average tensile strength | Weight per meter | Available chain parts | | | | | |
|---------------------------|--------------------------|------------------|-----------------------|---|---|---|---|---|
| $Q_{min} Q_{min}$ | $Q_0 Q_0$ | $q q$ | | | | | | |
| kN/lbf | kN | kg/m | E | S | L | C | A | B |
| 9,0/2045 | 77,1 | 0,41 | X | | | | X | |
| 18,0/4091 | 112,8 | 0,69 | X | X | | | X | |
| 22,4/5091 | 178,0 | 0,93 | X | X | | | X | |
| 29,0/6591 | 236,4 | 1,15 | X | X | | | X | |
| 60,0/13636 | 277,5 | 2,71 | X | X | | | X | |
| 95,0/21591 | 106,7 | 3,70 | X | X | | | X | |
| 160,0/36364 | 178,0 | 7,10 | | X | | | X | |
| 200,0/45455 | 222,0 | 8,50 | | X | | | X | |
| 250,0/56818 | 277,5 | 10,25 | | X | | | X | |



Solution range



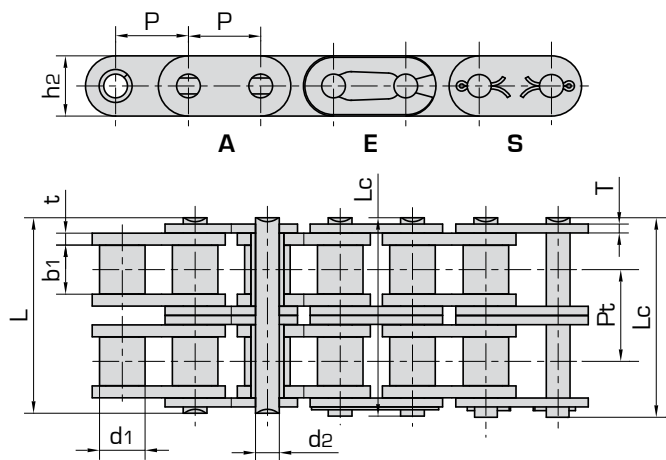
Donghua CP roller chains are built with hard chromized pins. The surface hardness is more than 1100 HV10 offering a +40% higher wear resistance than standard case hardened pins. Donghua CP roller chains are used for tough environments, high speed, and high frequency of movement in the bearing area resisting wear much better than case hardened pins. In combination with high sophisticated lubricant this technology brings a unique performance in wear resistance. All Donghua roller chains are: Pre-loaded, Fatigue resistant, Wear resistant and Pre-lubricated. Donghua simplex, duplex and triplex roller chains are manufactured according to ISO 606 DIN8187, standard pre-loaded, pre-lubricated, do have seamless rollers and are marked with production batch code number for complete traceability. All Donghua roller chains are sealed in plastic bags and packed in cardboard boxes with clear ISO 606 DIN descriptions and safety instructions. Standard packaging size is 5 meter box, reels are available on request. Cut to length service is available on request. Several test certificates like breaking load, length tolerance and material analyses are possible and available on request. Rollers chains which are needed for 'run as pairs' applications can be matched as pairs on request. DIN, 1/2DIN and 1/3DIN length tolerance are possible, please ask us for a quotation. For high temperature, low temperature, food application or special environments different kind of special lubricants are available. Please ask our sales team for any special needs. For drive chain calculation and right dimension check, please contact our engineering department, also see drive chain calculation data sheet on page 301. By filling this data sheet and sending this to our engineering department you will receive a detailed drive chain calculation including life time expectation. Sprockets are available for all roller chains, with pilot bore, fixed bore, keyway, setscrew or bearing bore with grooves. Standard toothing, hardened toothing or special toothing are possible with pilot bore, fixed bore or taper bush. Chain tools, tensioners and chain lubricants please see page 302-310.

Short pitch precision roller chains (B series)

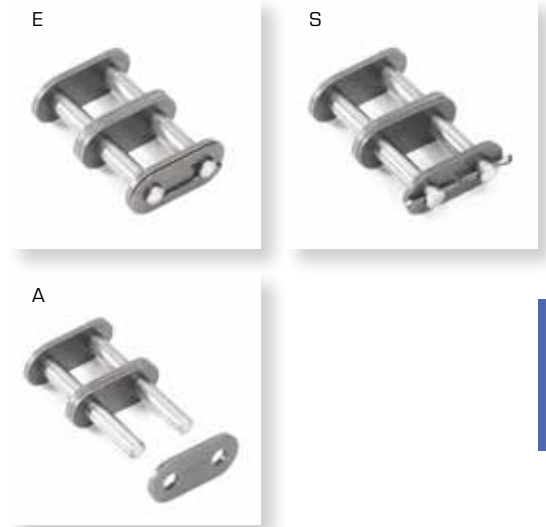
With straight side plate and hard chromize pins

Duplex roller chains

| Part nr. | DIN/ISO 606 Chain no. | Pitch | Roller diameter | Width between inner plates | Pin diameter | Pin length | | Inner plate depth | Plate thickness | Transverse pitch |
|-------------|-----------------------|--------|-------------------|----------------------------|-------------------|-----------------|-------------------|-------------------|-----------------|------------------|
| | | P | $d_1 \text{ max}$ | $b_1 \text{ min}$ | $d_2 \text{ max}$ | $L \text{ max}$ | $L_c \text{ max}$ | $h_2 \text{ max}$ | $T \text{ max}$ | |
| | | mm | mm | mm | mm | mm | mm | mm | mm | |
| 14506B-2CP | C06B-2CP | 9,525 | 6,35 | 5,72 | 3,28 | 23,4 | 24,4 | 8,20 | 1,30 | 10,24 |
| 145C08B-2CP | C08B-2CP | 12,700 | 8,51 | 7,75 | 4,45 | 31,0 | 32,2 | 11,80 | 1,60 | 13,92 |
| 145C10B-2CP | C10B-2CP | 15,875 | 10,16 | 9,65 | 5,08 | 36,1 | 37,5 | 14,70 | 1,70 | 16,59 |
| 145C12B-2CP | C12B-2CP | 19,050 | 12,07 | 11,68 | 5,72 | 42,0 | 43,6 | 16,00 | 1,85 | 19,46 |
| 145C16B-2CP | C16B-2CP | 25,400 | 15,88 | 17,02 | 8,28 | 68,0 | 69,3 | 21,00 | 4,15/3,1 | 31,88 |
| 145C20B-2CP | C20B-2CP | 31,750 | 19,05 | 19,56 | 10,19 | 77,8 | 81,5 | 26,40 | 4,50/3,5 | 36,45 |
| 145C24B-2CP | C24B-2CP | 38,100 | 25,40 | 25,40 | 14,63 | 101,7 | 106,2 | 33,20 | 6,00/4,8 | 48,36 |
| 145C28B-2CP | C28B-2CP | 44,450 | 27,94 | 30,99 | 15,90 | 124,6 | 129,1 | 36,70 | 7,50/6,0 | 59,56 |
| 145C32B-2CP | C32B-2CP | 50,800 | 29,21 | 30,99 | 17,81 | 124,6 | 129,6 | 42,00 | 7,00/6,0 | 58,55 |



| Ultimate tensile strength | Average tensile strength | Weight per meter | Available chain parts | | | | |
|---------------------------|--------------------------|------------------|-----------------------|---|---|---|---|
| Q min | Q0 | q | E | S | L | C | A |
| kN/lbf | kN | kg/m | | | | | |
| 16,9/3841 | 18,7 | 0,77 | X | | | | X |
| 32,0/7273 | 38,7 | 1,34 | X | X | | | X |
| 44,5/10114 | 56,2 | 1,84 | X | X | | | X |
| 57,8/13136 | 66,1 | 2,31 | X | X | | | X |
| 106,0/24091 | 152,0 | 5,42 | X | X | | | X |
| 170,0/38636 | 229 | 7,20 | | X | | | X |
| 280,0/63636 | 319,2 | 13,40 | | X | | | X |
| 360,0/81818 | 406,8 | 16,60 | | X | | | X |
| 450,0/102273 | 508,5 | 21,00 | | X | | | X |



Solution range



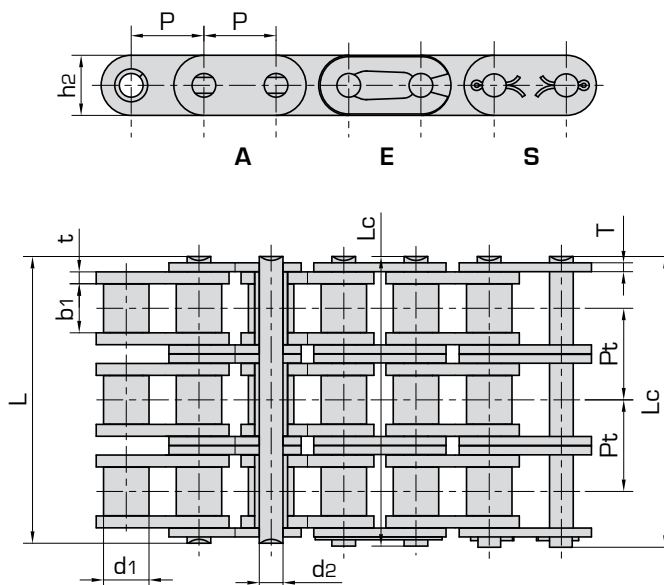
Donghua CP roller chains are built with hard chromized pins. The surface hardness is more than 1100 HV10 offering a +40% higher wear resistance than standard case hardened pins. Donghua CP roller chains are used for tough environments, high speed, and high frequency of movement in the bearing area resisting wear much better than case hardened pins. In combination with high sophisticated lubricant this technology brings a unique performance in wear resistance. All Donghua roller chains are: Pre-loaded, Fatigue resistant, Wear resistant and Pre-lubricated. Donghua simplex, duplex and triplex roller chains are manufactured according to ISO 606 DIN8187, standard pre-loaded, pre-lubricated, do have seamless rollers and are marked with production batch code number for complete traceability. All Donghua roller chains are sealed in plastic bags and packed in cardboard boxes with clear ISO 606 DIN descriptions and safety instructions. Standard packaging size is 5 meter box, reels are available on request. Cut to length service is available on request. Several test certificates like breaking load, length tolerance and material analyses are possible and available on request. Rollers chains which are needed for 'run as pairs' applications can be matched as pairs on request. DIN, 1/2DIN and 1/3DIN length tolerance are possible, please ask us for a quotation. For high temperature, low temperature, food application or special environments different kind of special lubricants are available. Please ask our sales team for any special needs. For drive chain calculation and right dimension check, please contact our engineering department, also see drive chain calculation data sheet on page 301. By filling this data sheet and sending this to our engineering department you will receive a detailed drive chain calculation including life time expectation. Sprockets are available for all roller chains, with pilot bore, fixed bore, keyway, setscrew or bearing bore with grooves. Standard toothing, hardened toothing or special toothing are possible with pilot bore, fixed bore or taper bush. Chain tools, tensioners and chain lubricants please see page 302-310.

Short pitch precision roller chains (B series)

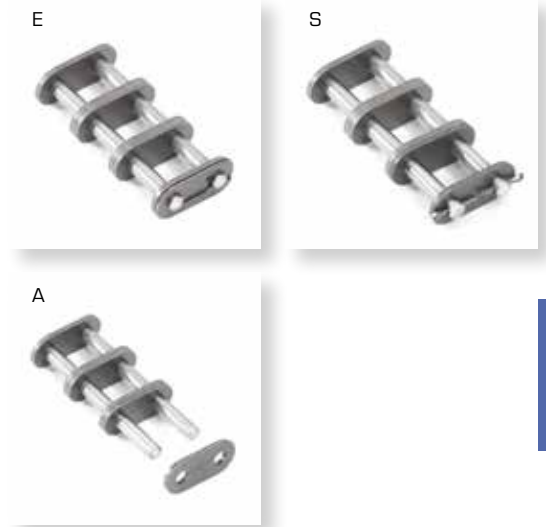
With straight side plate and hard chromize pins

Triplex roller chains

| Part nr. | DIN/ISO 606 Chain no. | Pitch | Roller diameter | Width between inner plates | Pin diameter | Pin length | | Inner plate depth | Plate thickness | Transverse pitch |
|--------------------|-----------------------|--------|------------------|----------------------------|------------------|-----------------|------------------|-------------------|-----------------|------------------|
| | | P | $d1 \text{ max}$ | $b1 \text{ min}$ | $d2 \text{ max}$ | $L \text{ max}$ | $Lc \text{ max}$ | $h2 \text{ max}$ | $T \text{ max}$ | |
| | | mm | mm | mm | mm | mm | mm | mm | mm | |
| 14506B-3CP | C06B-3CP | 9,525 | 6,35 | 5,72 | 3,28 | 33,5 | 34,6 | 8,20 | 1,30 | 10,24 |
| 145C08B-3CP | C08B-3CP | 12,700 | 8,51 | 7,75 | 4,45 | 45,1 | 46,1 | 11,80 | 1,60 | 13,92 |
| 145C10B-3CP | C10B-3CP | 15,875 | 10,16 | 9,65 | 5,08 | 52,7 | 54,1 | 14,70 | 1,70 | 16,59 |
| 145C12B-3CP | C12B-3CP | 19,050 | 12,07 | 11,68 | 5,72 | 61,5 | 63,1 | 16,00 | 1,85 | 19,46 |
| 145C16B-3CP | C16B-3CP | 25,400 | 15,88 | 17,02 | 8,28 | 99,8 | 101,2 | 21,00 | 4,15/3,1 | 31,88 |
| 145C20B-3CP | C20B-3CP | 31,750 | 19,05 | 19,56 | 10,19 | 114,2 | 117,9 | 26,40 | 4,50/3,5 | 36,45 |
| 145C24B-3CP | C24B-3CP | 38,100 | 25,40 | 25,40 | 14,63 | 150,1 | 154,6 | 33,20 | 6,00/4,8 | 48,36 |
| 145C28B-3CP | C28B-3CP | 44,450 | 27,94 | 30,99 | 15,90 | 184,2 | 188,7 | 36,70 | 7,50/6,0 | 59,56 |
| 145C32B-3CP | C32B-3CP | 50,800 | 29,21 | 30,99 | 17,81 | 183,2 | 188,2 | 42,00 | 7,00/6,0 | 58,55 |



| Ultimate tensile strength | Average tensile strength | Weight per meter | Available chain parts | | | | |
|---------------------------|--------------------------|------------------|-----------------------|---|---|---|---|
| Q min | Q0 | q | E | S | L | C | A |
| kN/lbf | kN | kg/m | | | | | |
| 24,9/5659 | 30,1 | 1,16 | X | | | | X |
| 47,5/10795 | 57,8 | 2,03 | X | X | | | X |
| 66,7/15159 | 84,5 | 2,77 | X | X | | | X |
| 86,7/19705 | 101,8 | 3,46 | X | X | | | X |
| 160,0/36364 | 227,1 | 8,13 | X | X | | | X |
| 250,0/56818 | 334,3 | 10,82 | | X | | | X |
| 425,0/96591 | 493,0 | 20,10 | | X | | | X |
| 530,0/120454 | 609,5 | 24,92 | | X | | | X |
| 670,0/152273 | 770,5 | 31,56 | | X | | | X |

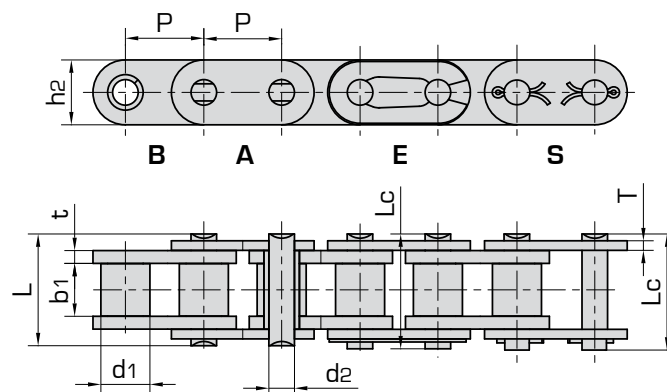


Donghua CP roller chains are built with hard chromized pins. The surface hardness is more than 1100 HV10 offering a +40% higher wear resistance than standard case hardened pins. Donghua CP roller chains are used for tough environments, high speed, and high frequency of movement in the bearing area resisting wear much better than case hardened pins. In combination with high sophisticated lubricant this technology brings a unique performance in wear resistance. All Donghua roller chains are: Pre-loaded, Fatigue resistant, Wear resistant and Pre-lubricated. Donghua simplex, duplex and triplex roller chains are manufactured according to ISO 606 DIN8187, standard pre-loaded, pre-lubricated, do have seamless rollers and are marked with production batch code number for complete traceability. All Donghua roller chains are sealed in plastic bags and packed in cardboard boxes with clear ISO 606 DIN descriptions and safety instructions. Standard packaging size is 5 meter box, reels are available on request. Cut to length service is available on request. Several test certificates like breaking load, length tolerance and material analyses are possible and available on request. Rollers chains which are needed for 'run as pairs' applications can be matched as pairs on request. DIN, 1/2DIN and 1/3DIN length tolerance are possible, please ask us for a quotation. For high temperature, low temperature, food application or special environments different kind of special lubricants are available. Please ask our sales team for any special needs. For drive chain calculation and right dimension check, please contact our engineering department, also see drive chain calculation data sheet on page 301. By filling this data sheet and sending this to our engineering department you will receive a detailed drive chain calculation including life time expectation. Sprockets are available for all roller chains, with pilot bore, fixed bore, keyway, setscrew or bearing bore with grooves. Standard toothing, hardened toothing or special toothing are possible with pilot bore, fixed bore or taper bush. Chain tools, tensioners and chain lubricants please see page 302-310.

Short pitch precision roller chains (B series) SLR (Self Lubricating Roller Chain) With straight side plates

Simplex roller chains

| Part nr. | DIN/ISO 606 Chain no. | Pitch | Roller diameter | Width between inner plates | Pin diameter | Pin length | | Inner plate depth | Plate thickness |
|--------------|-----------------------|--------|-------------------|----------------------------|-------------------|-----------------|-------------------|-------------------|-----------------|
| | | P | $d_1 \text{ max}$ | $b_1 \text{ min}$ | $d_2 \text{ max}$ | $L \text{ max}$ | $L_c \text{ max}$ | $h_2 \text{ max}$ | $T \text{ max}$ |
| | | mm | mm | mm | mm | mm | mm | mm | mm |
| 140C06B-1SLR | C06B-1SLR | 9,525 | 6,35 | 5,72 | 3,28 | 13,15 | 14,1 | 8,20 | 1,30 |
| 140C08B-1SLR | C08B-1SLR | 12,700 | 8,51 | 7,75 | 4,45 | 16,70 | 18,2 | 11,80 | 1,60 |
| 140C10B-1SLR | C10B-1SLR | 15,875 | 10,16 | 9,65 | 5,08 | 19,50 | 20,9 | 14,70 | 1,70 |
| 140C12B-1SLR | C12B-1SLR | 19,050 | 12,07 | 11,68 | 5,72 | 22,50 | 24,2 | 16,00 | 1,85 |
| 140C16B-1SLR | C16B-1SLR | 25,400 | 15,88 | 17,02 | 8,28 | 36,10 | 37,4 | 21,00 | 4,15/3,1 |
| 140C20B-1SLR | C20B-1SLR | 31,750 | 19,05 | 19,56 | 10,19 | 41,30 | 45,0 | 26,40 | 4,50/3,5 |
| 140C24B-1SLR | C24B-1SLR | 38,100 | 25,40 | 25,40 | 14,63 | 53,40 | 57,8 | 33,20 | 6,00/4,8 |



| Ultimate tensile strength | Average tensile strength | Weight per meter | Available chain parts | | | | | |
|---------------------------|--------------------------|------------------|-----------------------|---|---|---|---|---|
| $Q_{min} Q_{min}$ | $Q_0 Q_0$ | $q q$ | | | | | | |
| kN/lbf | kN | kg/m | E | S | L | C | A | B |
| 9,0/2045 | 10,4 | 0,41 | X | | X | | X | |
| 18,0/4091 | 19,4 | 0,69 | X | | X | | X | |
| 22,4/5091 | 27,5 | 0,93 | X | | X | | X | |
| 29,0/6591 | 32,2 | 1,15 | X | | X | | X | |
| 60,0/13636 | 77,1 | 2,71 | X | | X | | X | |
| 95,0/21591 | 112,8 | 3,70 | X | | X | | X | |
| 160,0/36364 | 178,0 | 7,10 | | | X | | X | |



Solution range

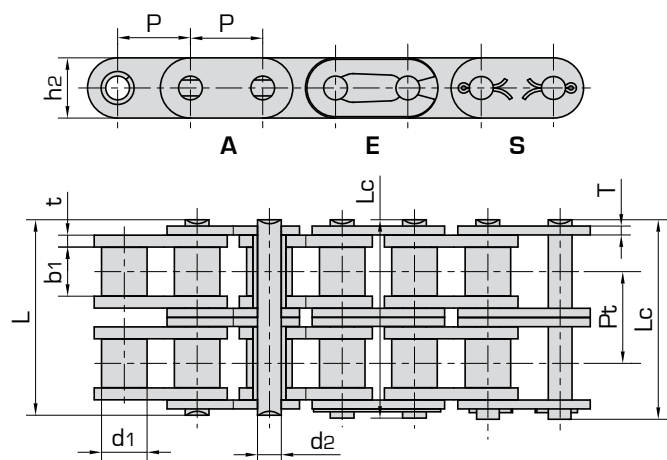


All Donghua SLR roller chains are made with Chemical Nickel Plated Pins and Hardened Sinter Steel Bushes. These components are self-lubricating. All other parts are Nickel Plated and protected against rust. Donghua SLR roller chains are used in applications where maintenance is not possible. Re-lubrication is not needed and not recommended. The outside of these SLR Roller Chains is dry. All Donghua roller chains are: Pre-loaded, Fatigue resistant, Wear resistant and Pre-lubricated. Donghua simplex, duplex and triplex roller chains are manufactured according to ISO 606 DIN8187, standard pre-loaded, pre-lubricated, do have seamless rollers and are marked with production batch code number for complete traceability. All Donghua roller chains are sealed in plastic bags and packed in cardboard boxes with clear ISO 606 DIN descriptions and safety instructions. Standard packaging size is 5 meter box, reels are available on request. Cut to length service is available on request. Several test certificates like breaking load, length tolerance and material analyses are possible and available on request. Rollers chains which are needed for 'run as pairs' applications can be matched as pairs on request. DIN, 1/2DIN and 1/3DIN length tolerance are possible, please ask us for a quotation. For high temperature, low temperature, food application or special environments different kind of special lubricants are available. Please ask our sales team for any special needs. For drive chain calculation and right dimension check, please contact our engineering department, also see drive chain calculation data sheet on page 301. By filling this data sheet and sending this to our engineering department you will receive a detailed drive chain calculation including life time expectation. Sprockets are available for all roller chains, with pilot bore, fixed bore, keyway, setscrew or bearing bore with grooves. Standard toothing, hardened toothing or special toothing are possible with pilot bore, fixed bore or taper bush. Chain tools, tensioners and chain lubricants please see page 302-310.

Short pitch precision roller chains (B series) SLR (Self Lubricating Roller Chain) With straight side plates

Duplex roller chains

| Part nr. | DIN/ISO 606 Chain no. | Pitch | Roller diameter | Width between inner plates | Pin diameter | Pin length | | Inner plate depth | Plate thickness | Transverse pitch |
|--------------|-----------------------|--------|-----------------|----------------------------|--------------|------------|--------|-------------------|-----------------|------------------|
| | | P | d1 max | b1 min | d2 max | L max | Lc max | h2 max | T max | |
| | | mm | mm | mm | mm | mm | mm | mm | mm | |
| 140C06B-2SLR | C06B-2SLR | 9,525 | 6,35 | 5,72 | 3,28 | 23,4 | 24,4 | 8,20 | 1,30 | 10,24 |
| 140C08B-2SLR | C08B-2SLR | 12,700 | 8,51 | 7,75 | 4,45 | 31,0 | 32,2 | 11,80 | 1,60 | 13,92 |
| 140C10B-2SLR | C10B-2SLR | 15,875 | 10,16 | 9,65 | 5,08 | 36,1 | 37,5 | 14,70 | 1,70 | 16,59 |
| 140C12B-2SLR | C12B-2SLR | 19,050 | 12,07 | 11,68 | 5,72 | 42,0 | 43,6 | 16,00 | 1,85 | 19,46 |
| 140C16B-2SLR | C16B-2SLR | 25,400 | 15,88 | 17,02 | 8,28 | 68,0 | 69,3 | 21,00 | 4,15/3,1 | 31,88 |
| 140C20B-2SLR | C20B-2SLR | 31,750 | 19,05 | 19,56 | 10,19 | 77,8 | 81,5 | 26,40 | 4,50/3,5 | 36,45 |
| 140C24B-2SLR | C24B-2SLR | 38,100 | 25,40 | 25,40 | 14,63 | 101,7 | 106,2 | 33,20 | 6,00/4,8 | 48,36 |



| Ultimate tensile strength | Average tensile strength | Weight per meter | Available chain parts | | | | |
|---------------------------|--------------------------|------------------|-----------------------|---|---|---|---|
| Q min | Q0 | q | E | S | L | C | A |
| kN/lbf | kN | kg/m | | | | | |
| 16,9/3841 | 18,7 | 0,77 | X | | X | | X |
| 32,0/7273 | 38,7 | 1,34 | X | | X | | X |
| 44,5/10114 | 56,2 | 1,84 | X | | X | | X |
| 57,8/13136 | 66,1 | 2,31 | X | | X | | X |
| 106,0/24091 | 152,0 | 5,42 | X | | X | | X |
| 170,0/38636 | 229 | 7,20 | | | X | | X |
| 280,0/63636 | 319,2 | 13,40 | | | X | | X |



Solution range

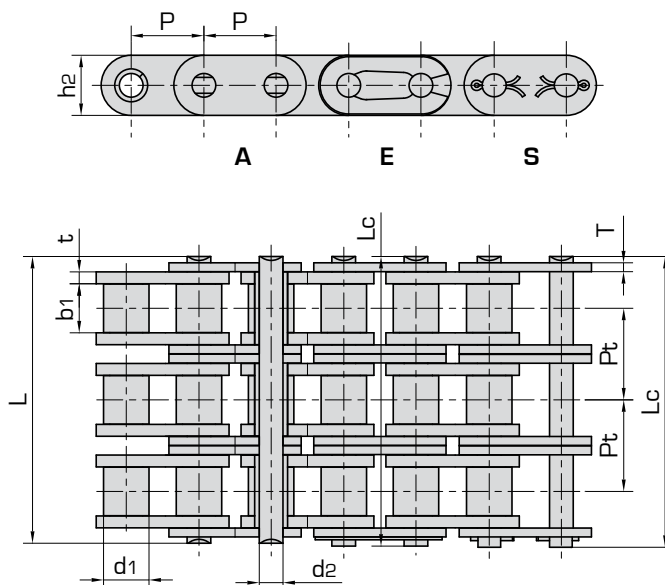


All Donghua SLR roller chains are made with Chemical Nickel Plated Pins and Hardened Sinter Steel Bushes. These components are self-lubricating. All other parts are Nickel Plated and protected against rust. Donghua SLR roller chains are used in applications where maintenance is not possible. Re-lubrication is not needed and not recommended. The outside of these SLR Roller Chains is dry. All Donghua roller chains are: Pre-loaded, Fatigue resistant, Wear resistant and Pre-lubricated. Donghua simplex, duplex and triplex roller chains are manufactured according to ISO 606 DIN8187, standard pre-loaded, pre-lubricated, do have seamless rollers and are marked with production batch code number for complete traceability. All Donghua roller chains are sealed in plastic bags and packed in cardboard boxes with clear ISO 606 DIN descriptions and safety instructions. Standard packaging size is 5 meter box, reels are available on request. Cut to length service is available on request. Several test certificates like breaking load, length tolerance and material analyses are possible and available on request. Rollers chains which are needed for 'run as pairs' applications can be matched as pairs on request. DIN, 1/2DIN and 1/3DIN length tolerance are possible, please ask us for a quotation. For high temperature, low temperature, food application or special environments different kind of special lubricants are available. Please ask our sales team for any special needs. For drive chain calculation and right dimension check, please contact our engineering department, also see drive chain calculation data sheet on page 301. By filling this data sheet and sending this to our engineering department you will receive a detailed drive chain calculation including life time expectation. Sprockets are available for all roller chains, with pilot bore, fixed bore, keyway, setscrew or bearing bore with grooves. Standard toothing, hardened toothing or special toothing are possible with pilot bore, fixed bore or taper bush. Chain tools, tensioners and chain lubricants please see page 302-310.

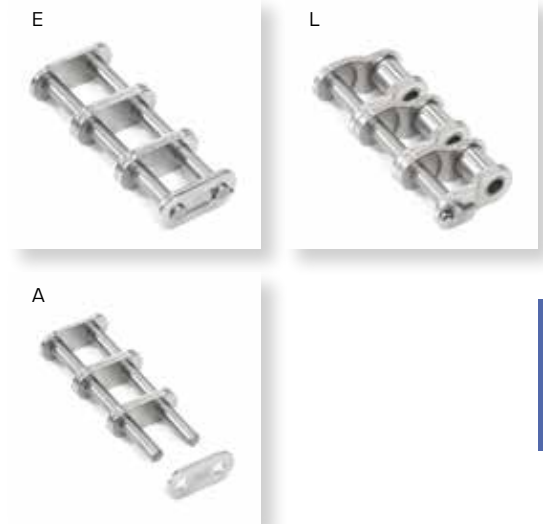
Short pitch precision roller chains (B series) SLR (Self Lubricating Roller Chain) With straight side plates

Triplex roller chains

| Part nr. | DIN/ISO 606 Chain no. | Pitch | Roller diameter | Width between inner plates | Pin diameter | Pin length | | Inner plate depth | Plate thickness | Transverse pitch |
|--------------|-----------------------|--------|-----------------|----------------------------|--------------|------------|--------|-------------------|-----------------|------------------|
| | | | | | | L max | Lc max | | | |
| | | P | d1 max | b1 min | d2 max | L max | Lc max | h2 max | T max | |
| | | mm | mm | mm | mm | mm | mm | mm | mm | |
| 140C06B-3SLR | C06B-3SLR | 9,525 | 6,35 | 5,72 | 3,28 | 33,5 | 34,6 | 8,20 | 1,30 | 10,24 |
| 140C08B-3SLR | C08B-3SLR | 12,700 | 8,51 | 7,75 | 4,45 | 45,1 | 46,1 | 11,80 | 1,60 | 13,92 |
| 140C10B-3SLR | C10B-3SLR | 15,875 | 10,16 | 9,65 | 5,08 | 52,7 | 54,1 | 14,70 | 1,70 | 16,59 |
| 140C12B-3SLR | C12B-3SLR | 19,050 | 12,07 | 11,68 | 5,72 | 61,5 | 63,1 | 16,00 | 1,85 | 19,46 |
| 140C16B-3SLR | C16B-3SLR | 25,400 | 15,88 | 17,02 | 8,28 | 99,8 | 101,2 | 21,00 | 4,15/3,1 | 31,88 |
| 140C20B-3SLR | C20B-3SLR | 31,750 | 19,05 | 19,56 | 10,19 | 114,2 | 117,9 | 26,40 | 4,50/3,5 | 36,45 |
| 140C24B-3SLR | C24B-3SLR | 38,100 | 25,40 | 25,40 | 14,63 | 150,1 | 154,6 | 33,20 | 6,00/4,8 | 48,36 |



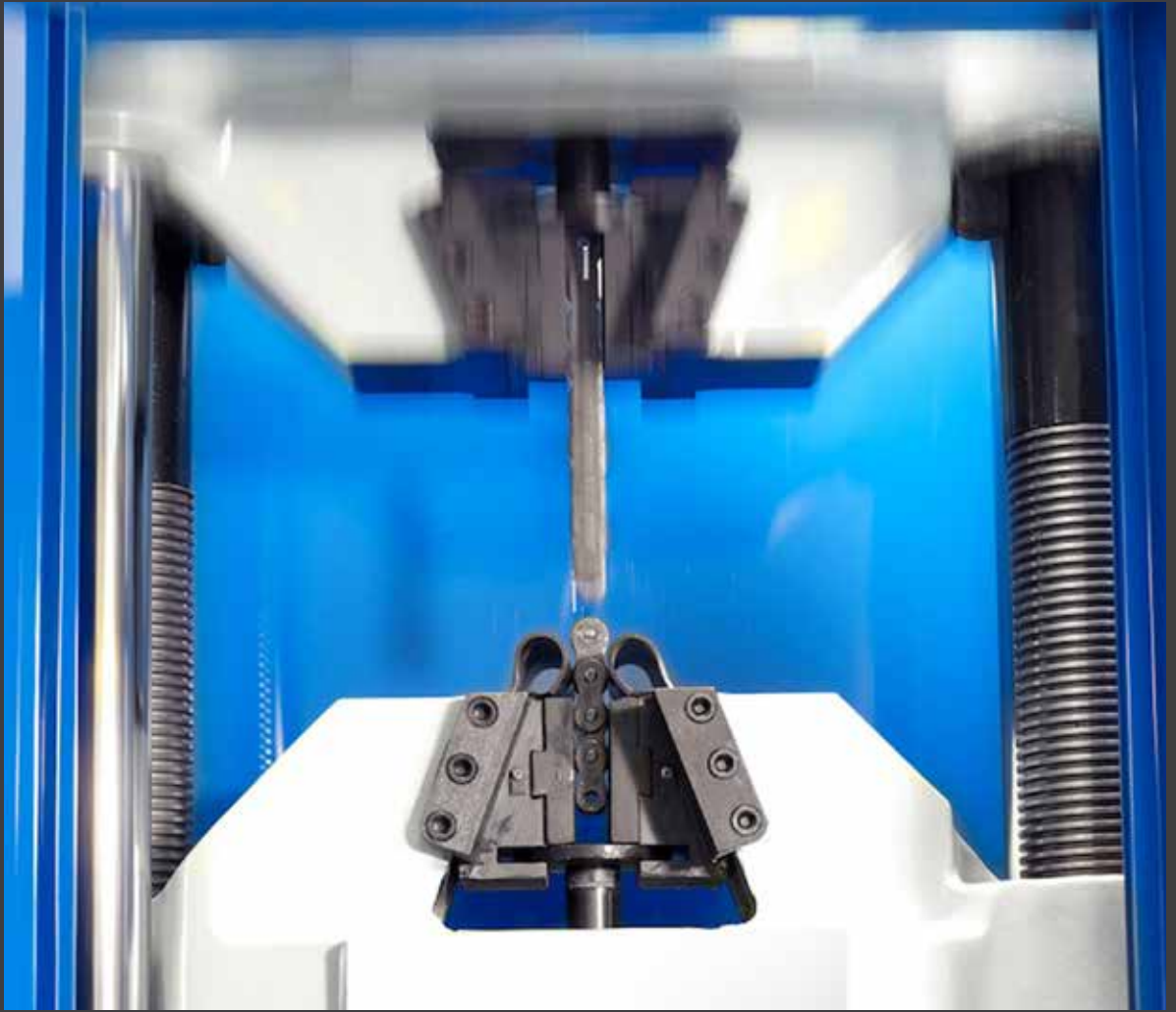
| Ultimate tensile strength | Average tensile strength | Weight per meter | Available chain parts | | | | |
|---------------------------|--------------------------|------------------|-----------------------|---|---|---|---|
| Q min | Q0 | q | E | S | L | C | A |
| kN/lbf | kN | kg/m | | | | | |
| 24,9/5659 | 30,1 | 1,16 | X | | X | | X |
| 47,5/10795 | 57,8 | 2,03 | X | | X | | X |
| 66,7/15159 | 84,5 | 2,77 | X | | X | | X |
| 86,7/19705 | 101,8 | 3,46 | X | | X | | X |
| 160,0/36364 | 227,1 | 8,13 | X | | X | | X |
| 250,0/56818 | 334,3 | 10,82 | | | X | | X |
| 425,0/96591 | 493,0 | 20,10 | | | X | | X |



Solution range

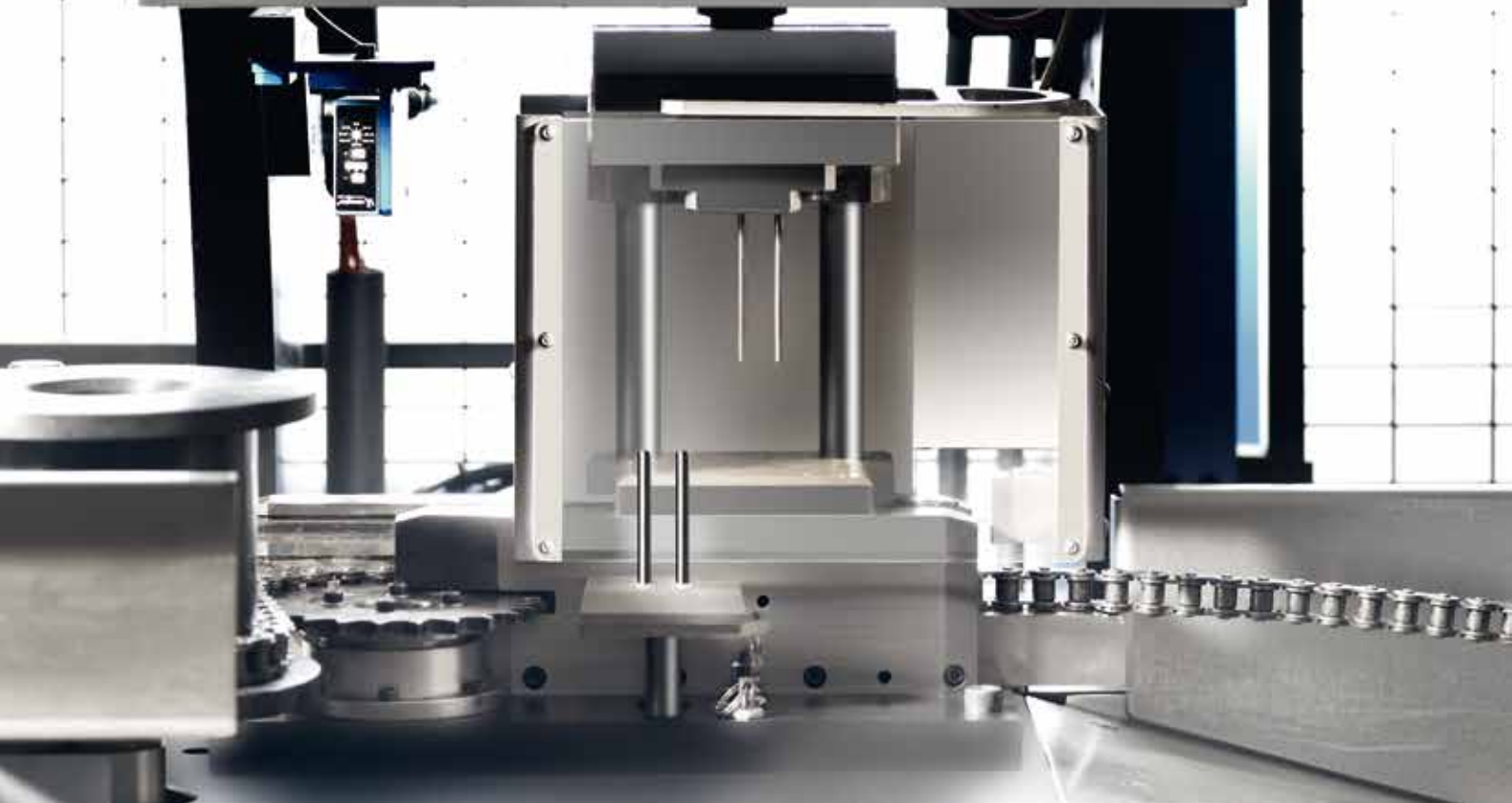


All Donghua SLR roller chains are made with Chemical Nickel Plated Pins and Hardened Sinter Steel Bushes. These components are self-lubricating. All other parts are Nickel Plated and protected against rust. Donghua SLR roller chains are used in applications where maintenance is not possible. Re-lubrication is not needed and not recommended. The outside of these SLR Roller Chains is dry. All Donghua roller chains are: Pre-loaded, Fatigue resistant, Wear resistant and Pre-lubricated. Donghua simplex, duplex and triplex roller chains are manufactured according to ISO 606 DIN8187, standard pre-loaded, pre-lubricated, do have seamless rollers and are marked with production batch code number for complete traceability. All Donghua roller chains are sealed in plastic bags and packed in cardboard boxes with clear ISO 606 DIN descriptions and safety instructions. Standard packaging size is 5 meter box, reels are available on request. Cut to length service is available on request. Several test certificates like breaking load, length tolerance and material analyses are possible and available on request. Rollers chains which are needed for 'run as pairs' applications can be matched as pairs on request. DIN, 1/2DIN and 1/3DIN length tolerance are possible, please ask us for a quotation. For high temperature, low temperature, food application or special environments different kind of special lubricants are available. Please ask our sales team for any special needs. For drive chain calculation and right dimension check, please contact our engineering department, also see drive chain calculation data sheet on page 301. By filling this data sheet and sending this to our engineering department you will receive a detailed drive chain calculation including life time expectation. Sprockets are available for all roller chains, with pilot bore, fixed bore, keyway, setscrew or bearing bore with grooves. Standard toothing, hardened toothing or special toothing are possible with pilot bore, fixed bore or taper bush. Chain tools, tensioners and chain lubricants please see page 302-310.





DONGHUA



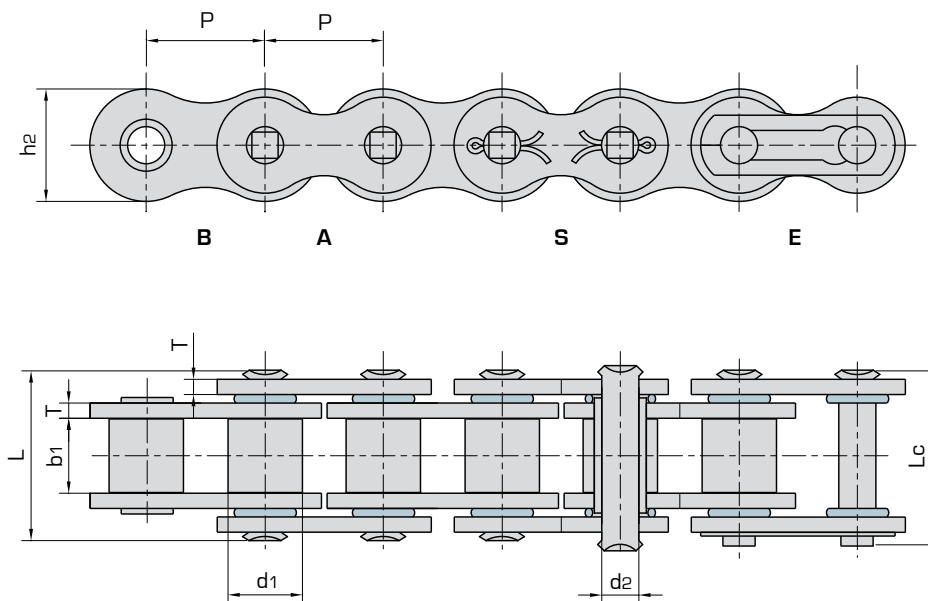
Short pitch precision roller chains (B series)

O-ring

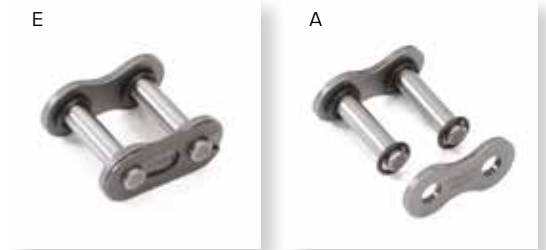
Simplex roller chains

| Part nr. | DIN/ISO 606 Chain no. | Pitch | Roller diameter | Width between inner plates | Pin diameter | Pin length | | Inner plate depth | Plate thickness |
|--------------------|-----------------------|--------|-------------------|----------------------------|-------------------|-----------------|-------------------|-------------------|-----------------|
| | | P | $d_1 \text{ max}$ | $b_1 \text{ min}$ | $d_2 \text{ max}$ | $L \text{ max}$ | $L_c \text{ max}$ | $h_2 \text{ max}$ | $T \text{ max}$ |
| | | mm | mm | mm | mm | mm | mm | mm | mm |
| 10008B-1OR | 08B-1 OR | 12,700 | 8,51 | 7,75 | 4,45 | 18,80 | 19,9 | 11,80 | 1,60 |
| 10010B-1OR* | 10B-1 OR* | 15,875 | 10,16 | 9,40 | 5,08 | 23,10 | 24,8 | 15,09 | 2,03 |
| 10012B-1OR | 12B-1 OR | 19,050 | 12,07 | 11,68 | 5,72 | 22,50 | 24,2 | 16,00 | 1,85 |
| 10016B-1OR | 16B-1 OR | 25,400 | 15,88 | 17,02 | 8,28 | 36,10 | 37,4 | 21,00 | 4,15/3,1 |
| 10020B-1OR | 20B-1 OR | 31,750 | 19,05 | 19,56 | 10,19 | 41,30 | 45,0 | 26,40 | 4,50/3,5 |
| 10024B-1OR | 24B-1 OR | 38,100 | 25,40 | 25,40 | 14,63 | 53,40 | 57,8 | 33,20 | 6,00/4,8 |

* Equal to ANSI 50-1 OR



| Ultimate tensile strength | Average tensile strength | Weight per meter | Available chain parts | | | | | | |
|---------------------------|--------------------------|------------------|-----------------------|---|---|---|---|---|--|
| Q min | Q0 | q | | | | | | | |
| kN/lbf | kN | kg/m | E | S | L | C | A | B | |
| 18,0/4091 | 19,4 | 0,74 | X | | | | X | X | |
| 22,2/5045 | 29,4 | 1,19 | X | | | | X | X | |
| 29,0/6591 | 32,2 | 1,15 | X | | | | X | X | |
| 60,0/13636 | 72,8 | 2,71 | X | | | | X | X | |
| 95,0/21591 | 106,7 | 3,70 | | X | | | X | X | |
| 160,0/36364 | 178,0 | 7,10 | | X | | | X | X | |



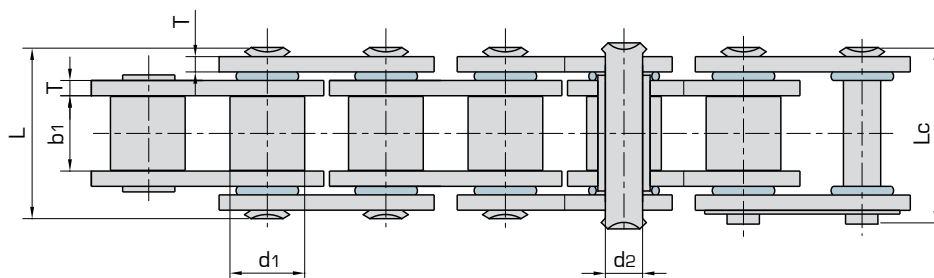
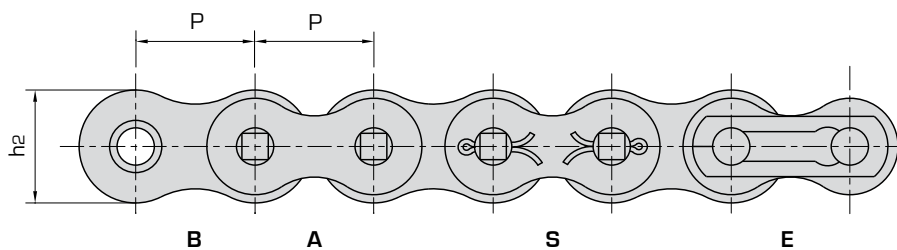
Our DONGHUA O-ring SERIES is within our Solution product range offering better wear resistance, better fatigue resistance and higher precision than our standard range. The superior quality, durability and outstanding wear and fatigue resistance are realized by an O-ring design between inner and outer plates, solid bushes and solid rollers and special highly sophisticated long lasting lubricant. The O-rings and/or X-rings keep the dust and pollution outside the pin/bush area and the long lasting lubricant inside the pin/bush area. All Donghua roller chains are: Pre-loaded, Fatigue resistant, Wear resistant and Pre-lubricated. Donghua simplex, duplex and triplex roller chains are manufactured according to ISO 606 DIN8187, standard pre-loaded, pre-lubricated, do have seamless rollers and are marked with production batch code number for complete traceability. All Donghua roller chains are sealed in plastic bags and packed in cardboard boxes with clear ISO 606 DIN descriptions and safety instructions. Standard packaging size is 5 meter box, reels are available on request. Cut to length service is available on request. Several test certificates like breaking load, length tolerance and material analyses are possible and available on request. Rollers chains which are needed for 'run as pairs' applications can be matched as pairs on request. DIN, 1/2DIN and 1/3DIN length tolerance are possible, please ask us for a quotation. For high temperature, low temperature, food application or special environments different kind of special lubricants are available. Please ask our sales team for any special needs. For drive chain calculation and right dimension check, please contact our engineering department, also see drive chain calculation data sheet on page 301. By filling this data sheet and sending this to our engineering department you will receive a detailed drive chain calculation including life time expectation. Sprockets are available for all roller chains, with pilot bore, fixed bore, keyway, setscrew or bearing bore with grooves. Standard toothing, hardened toothing or special toothing are possible with pilot bore, fixed bore or taper bush. Chain tools, tensioners and chain lubricants please see page 302-310.

Short pitch precision roller chains (A series)

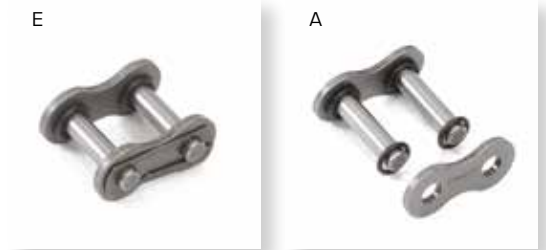
O-ring

Simplex roller chains

| Part nr. | DIN/ISO 606 Chain no. | ANSI Chain no. | Pitch | Roller diameter | Width between inner plates | Pin diameter | Pin length | | Inner plate depth | Plate thickness | Transverse pitch |
|-------------|-----------------------|----------------|--------|-----------------|----------------------------|--------------|------------|--------|-------------------|-----------------|------------------|
| | | | P | d1 max | b1 min | d2 max | L max | Lc max | h2 max | T max | |
| | | | mm | mm | mm | mm | mm | mm | mm | mm | |
| 10040-1OR | 08A-1 OR | 40 OR | 12,700 | 7,95 | 7,85 | 3,96 | 18,30 | 19,60 | 12,00 | 1,50 | |
| 10050-1OR | 10A-1 OR | 50 OR | 15,875 | 10,16 | 9,40 | 5,08 | 23,10 | 24,80 | 15,09 | 2,03 | |
| 10060-1OR | 12A-1 OR | 60 OR | 19,050 | 11,91 | 12,57 | 5,94 | 28,50 | 30,40 | 18,00 | 2,42 | |
| 10060HT-1OR | 60A-1 HT OR | 60HT OR | 19,050 | 11,91 | 12,57 | 5,94 | 31,70 | 33,20 | 18,00 | 3,25 | |
| 10080-1OR | 16A-1 OR | 80 OR | 25,400 | 15,88 | 15,75 | 7,92 | 35,60 | 37,30 | 24,00 | 3,25 | |
| 100100-1OR | 20A-1 OR | 100 OR | 31,750 | 19,05 | 18,95 | 9,53 | 43,30 | 47,00 | 30,00 | 4,00 | |
| 100120-1OR | 24A-1 OR | 120 OR | 38,100 | 22,23 | 25,22 | 11,11 | 54,00 | 57,50 | 35,70 | 4,80 | |



| Ultimate tensile strength | Average tensile strength | Weight per meter | Available chain parts | | | | | |
|---------------------------|--------------------------|------------------|-----------------------|---|---|---|---|---|
| Q min | Q0 | q | | | | | | |
| kN/lbf | kN | kg/m | E | S | L | C | A | B |
| 14,10/3205 | 17,5 | 0,67 | X | | | | X | |
| 22,20/5045 | 29,4 | 1,19 | X | | | | X | |
| 31,80/7227 | 41,5 | 1,62 | X | | | | X | |
| 55,0/12500 | 58,0 | 1,96 | X | | | | X | |
| 56,70/12886 | 69,4 | 2,70 | X | | | | X | |
| 88,50/20114 | 109,2 | 3,98 | | X | | | X | |
| 127,00/28864 | 156,3 | 6,34 | | X | | | X | |



Our DONGHUA O-ring SERIES is within our Solution product range offering better wear resistance, better fatigue resistance and higher precision than our standard range. The superior quality, durability and outstanding wear and fatigue resistance are realized by an O-ring design between inner and outer plates, solid bushes and solid rollers and special highly sophisticated long lasting lubricant. The O-rings and/or X-rings keep the dust and pollution outside the pin/bush area and the long lasting lubricant inside the pin/bush area. All Donghua roller chains are: Pre-loaded, Fatigue resistant, Wear resistant and Pre-lubricated. Donghua simplex, duplex and triplex roller chains are manufactured according to ISO 606 DIN8187, standard pre-loaded, pre-lubricated, do have seamless rollers and are marked with production batch code number for complete traceability. All Donghua roller chains are sealed in plastic bags and packed in cardboard boxes with clear ISO 606 DIN descriptions and safety instructions. Standard packaging size is 5 meter box, reels are available on request. Cut to length service is available on request. Several test certificates like breaking load, length tolerance and material analyses are possible and available on request. Rollers chains which are needed for 'run as pairs' applications can be matched as pairs on request. DIN, 1/2DIN and 1/3DIN length tolerance are possible, please ask us for a quotation. For high temperature, low temperature, food application or special environments different kind of special lubricants are available. Please ask our sales team for any special needs. For drive chain calculation and right dimension check, please contact our engineering department, also see drive chain calculation data sheet on page 301. By filling this data sheet and sending this to our engineering department you will receive a detailed drive chain calculation including life time expectation. Sprockets are available for all roller chains, with pilot bore, fixed bore, keyway, setscrew or bearing bore with grooves. Standard toothing, hardened toothing or special toothing are possible with pilot bore, fixed bore or taper bush. Chain tools, tensioners and chain lubricants please see page 302-310.

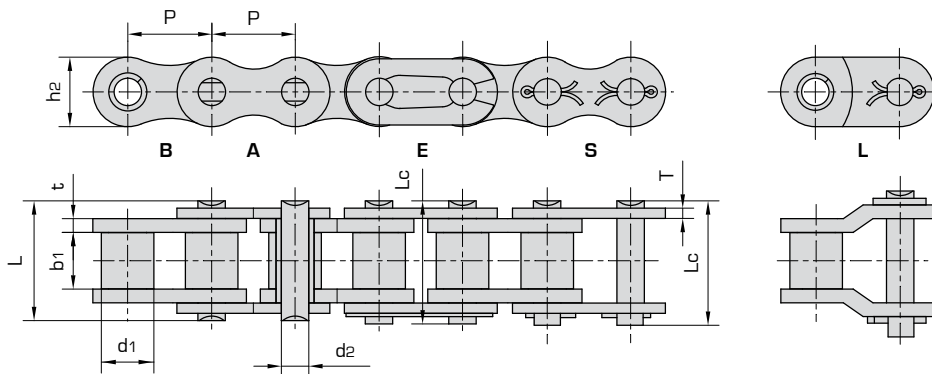
Short pitch precision roller chains (B series)

Stainless steel AISI304 (1.4301)

Simplex roller chains

| Part nr. | DIN/ISO 606 Chain no. | Pitch | Roller diameter | Width between inner plates | Pin diameter | Pin length | | Inner plate depth | Plate thickness |
|-------------------|-----------------------|--------|-----------------|----------------------------|--------------|------------|--------|-------------------|-----------------|
| | | | | | | L max | Lc max | | |
| | | | | | | P | d1 max | | |
| | | mm | mm | mm | mm | mm | mm | mm | mm |
| 12004B-1SS | 04B-1SS | 6,000 | 4,00 | 2,80 | 1,85 | 6,80 | 7,8 | 5,00 | 0,60 |
| 12005B-1SS | 05B-1SS | 8,000 | 5,00 | 3,00 | 2,31 | 8,20 | 8,9 | 7,10 | 0,80 |
| 12006B-1SS | *06B-1SS | 9,525 | 6,35 | 5,72 | 3,28 | 13,15 | 14,1 | 8,20 | 1,30 |
| 12008B-1SS | 08B-1SS | 12,700 | 8,51 | 7,75 | 4,45 | 16,70 | 18,2 | 11,80 | 1,60 |
| 12010B-1SS | 10B-1SS | 15,875 | 10,16 | 9,65 | 5,08 | 19,50 | 20,9 | 14,70 | 1,70 |
| 12012B-1SS | 12B-1SS | 19,050 | 12,07 | 11,68 | 5,72 | 22,50 | 24,2 | 16,00 | 1,85 |
| 12016B-1SS | 16B-1SS | 25,400 | 15,88 | 17,02 | 8,28 | 36,10 | 37,4 | 21,00 | 4,15/3,1 |
| 12020B-1SS | 20B-1SS | 31,750 | 19,05 | 19,56 | 10,19 | 41,30 | 45,0 | 26,40 | 4,50/3,5 |
| 12024B-1SS | 24B-1SS | 38,100 | 25,40 | 25,40 | 14,63 | 53,40 | 57,8 | 33,20 | 6,00/4,8 |
| 12028B-1SS | 28B-1SS | 44,450 | 27,94 | 30,99 | 15,90 | 65,10 | 69,5 | 36,70 | 7,50/6,0 |
| 12032B-1SS | 32B-1SS | 50,800 | 29,21 | 30,99 | 17,81 | 66,00 | 71,0 | 42,00 | 7,00/6,0 |

* Straight side plates



| Ultimate tensile strength | Average tensile strength | Weight per meter | Available chain parts | | | | | |
|---------------------------|--------------------------|------------------|-----------------------|---|---|---|---|---|
| Q min | Q0 | q | E | S | L | C | A | B |
| kN/lbf | kN | kg/m | | | | | | |
| 1,3/303 | | 0,11 | X | | X | | X | |
| 2,3/530 | | 0,20 | X | | X | | X | |
| 4,1/939 | | 0,41 | X | | X | | X | |
| 8,0/1818 | | 0,70 | X | X | X | | X | |
| 9,7/2197 | | 0,94 | X | X | X | | X | |
| 12,3/2803 | | 1,16 | X | X | X | | X | |
| 26,7/6061 | | 2,73 | X | X | X | | X | |
| 39,3/8939 | | 3,73 | X | X | X | | X | |
| 69,3/16969 | | 7,20 | | X | X | | X | |
| 86,0/18146 | | 8,50 | | X | X | | X | |
| 100,0/22727 | | 10,25 | | X | X | | X | |



Solution range



Donghua Stainless Steel Roller Chains meet the high requirements in the food industry. For special food applications there are different food grade lubricants available. Please ask our engineering department. Donghua Stainless Steel Roller Chains cannot replace standard carbon steel roller chains in the same size. Breaking Load and Wear Resistance differ too much. Please ask our engineering department for the right dimensional choice per drive. All Donghua roller chains are: Pre-loaded, Fatigue resistant and Wear resistant. Pre-lubricated is possible on request. By default these stainless steel roller chains are not lubricated! Donghua simplex, duplex and triplex roller chains are manufactured according to ISO 606 DIN8187, standard pre-loaded, pre-lubrication on request, do have seamless rollers and are marked with production batch code number for complete traceability. All Donghua roller chains are sealed in plastic bags and packed in cardboard boxes with clear ISO 606 DIN descriptions and safety instructions. Standard packaging size is 5 meter box, reels are available on request. Cut to length service is available on request. Several test certificates like breaking load, length tolerance and material analyses are possible and available on request. Rollers chains which are needed for 'run as pairs' applications can be matched as pairs on request. DIN, 1/2DIN and 1/3DIN length tolerance are possible, please ask us for a quotation. For high temperature, low temperature, food application or special environments different kind of special lubricants are available. Please ask our sales team for any special needs. For drive chain calculation and right dimension check, please contact our engineering department, also see drive chain calculation data sheet on page 301. By filling this data sheet and sending this to our engineering department you will receive a detailed drive chain calculation including life time expectation. Sprockets are available for all roller chains, with pilot bore, fixed bore, keyway, setscrew or bearing bore with grooves. Standard toothing, hardened toothing or special toothing are possible with pilot bore, fixed bore or taper bush. Chain tools, tensioners and chain lubricants please see page 302-310.

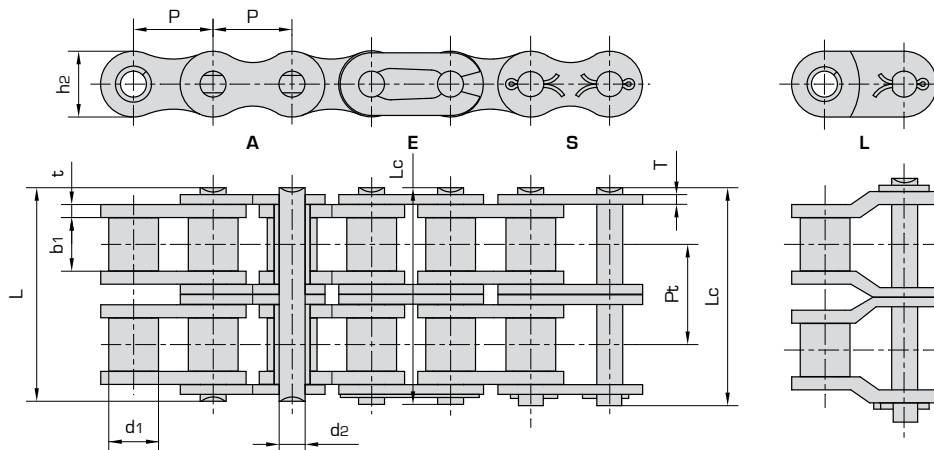
Short pitch precision roller chains (B series)

Stainless steel AISI304 (1.4301)

Duplex roller chains

| Part nr. | DIN/ISO 606 Chain no. | Pitch | Roller diameter | Width between inner plates | Pin diameter | Pin length | | Inner plate depth | Plate thickness | Transverse pitch |
|------------|-----------------------|--------|-----------------|----------------------------|--------------|------------|--------|-------------------|-----------------|------------------|
| | | P | d1 max | b1 min | d2 max | L max | Lc max | h2 max | T max | |
| | | mm | mm | mm | mm | mm | mm | mm | mm | |
| 12005B-2SS | 05B-2SS | 8,000 | 5,00 | 3,00 | 2,31 | 13,9 | 14,5 | 7,10 | 0,80 | 5,64 |
| 12006B-2SS | *06B-2SS | 9,525 | 6,35 | 5,72 | 3,28 | 23,4 | 24,4 | 8,20 | 1,30 | 10,24 |
| 12008B-2SS | 08B-2SS | 12,700 | 8,51 | 7,75 | 4,45 | 31,0 | 32,2 | 11,80 | 1,60 | 13,92 |
| 12010B-2SS | 10B-2SS | 15,875 | 10,16 | 9,65 | 5,08 | 36,1 | 37,5 | 14,70 | 1,70 | 16,59 |
| 12012B-2SS | 12B-2SS | 19,050 | 12,07 | 11,68 | 5,72 | 42,0 | 43,6 | 16,00 | 1,85 | 19,46 |
| 12016B-2SS | 16B-2SS | 25,400 | 15,88 | 17,02 | 8,28 | 68,0 | 69,3 | 21,00 | 4,15/3,1 | 31,88 |
| 12020B-2SS | 20B-2SS | 31,750 | 19,05 | 19,56 | 10,19 | 77,8 | 81,5 | 26,40 | 4,50/3,5 | 36,45 |
| 12024B-2SS | 24B-2SS | 38,100 | 25,40 | 25,40 | 14,63 | 101,7 | 106,2 | 33,20 | 6,00/4,8 | 48,36 |
| 12028B-2SS | 28B-2SS | 44,450 | 27,94 | 30,99 | 15,90 | 124,6 | 129,1 | 36,70 | 7,50/6,0 | 59,56 |
| 12032B-2SS | 32B-2SS | 50,800 | 29,21 | 30,99 | 17,81 | 124,6 | 129,6 | 42,00 | 7,00/6,0 | 58,55 |

* Straight side plates



| Ultimate tensile strength | Average tensile strength | Weight per meter | Available chain parts | | | | |
|---------------------------|--------------------------|------------------|-----------------------|---|---|---|---|
| Q min | Q0 | q | E | S | L | C | A |
| kN/lbf | kN | kg/m | | | | | |
| 4,0/899 | | 0,33 | X | | X | | X |
| 7,9/1783 | | 0,77 | X | | X | | X |
| 13,6/3057 | | 1,34 | X | X | X | | X |
| 16,4/3694 | | 1,84 | X | X | X | | X |
| 21,0/4713 | | 2,31 | X | X | X | | X |
| 45,3/10191 | | 5,42 | X | X | X | | X |
| 66,7/14987 | | 7,20 | | X | X | | X |
| 117,9/26497 | | 13,40 | | X | X | | X |
| 146,2/32867 | | 16,60 | | X | X | | X |
| 170,0/38217 | | 21,00 | | X | X | | X |



Donghua Stainless Steel Roller Chains meet the high requirements in the food industry. For special food applications there are different food grade lubricants available. Please ask our engineering department. Donghua Stainless Steel Roller Chains cannot replace standard carbon steel roller chains in the same size. Breaking Load and Wear Resistance differ too much. Please ask our engineering department for the right dimensional choice per drive. All Donghua roller chains are: Pre-loaded, Fatigue resistant and Wear resistant. Pre-lubricated is possible on request. By default these stainless steel roller chains are not lubricated! Donghua simplex, duplex and triplex roller chains are manufactured according to ISO 606 DIN8187, standard pre-loaded, pre-lubrication on request, do have seamless rollers and are marked with production batch code number for complete traceability. All Donghua roller chains are sealed in plastic bags and packed in cardboard boxes with clear ISO 606 DIN descriptions and safety instructions. Standard packaging size is 5 meter box, reels are available on request. Cut to length service is available on request. Several test certificates like breaking load, length tolerance and material analyses are possible and available on request. Rollers chains which are needed for 'run as pairs' applications can be matched as pairs on request. DIN, 1/2DIN and 1/3DIN length tolerance are possible, please ask us for a quotation. For high temperature, low temperature, food application or special environments different kind of special lubricants are available. Please ask our sales team for any special needs. For drive chain calculation and right dimension check, please contact our engineering department, also see drive chain calculation data sheet on page 301. By filling this data sheet and sending this to our engineering department you will receive a detailed drive chain calculation including life time expectation. Sprockets are available for all roller chains, with pilot bore, fixed bore, keyway, setscrew or bearing bore with grooves. Standard toothing, hardened toothing or special toothing are possible with pilot bore, fixed bore or taper bush. Chain tools, tensioners and chain lubricants please see page 302-310.

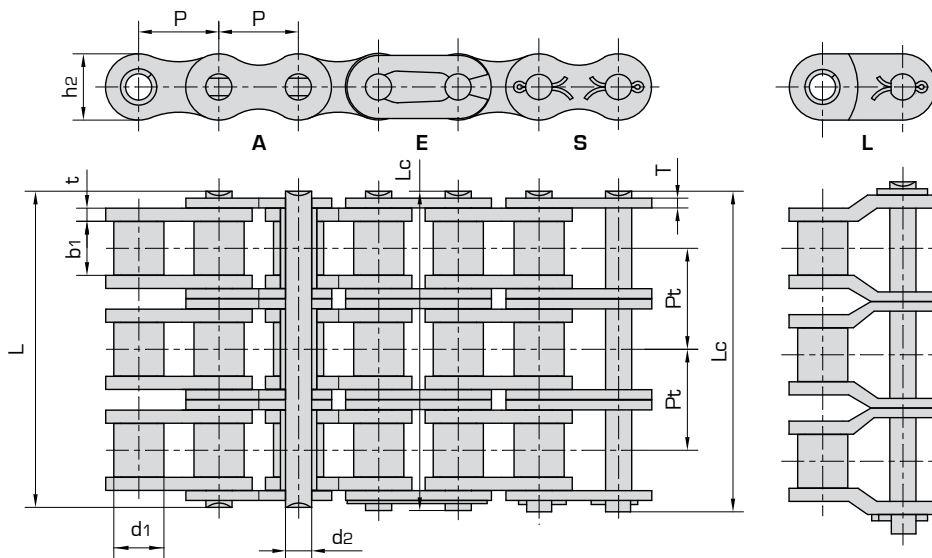
Short pitch precision roller chains (B series)

Stainless steel AISI304 (1.4301)

Triplex roller chains

| Part nr. | DIN/ISO 606 Chain no. | Pitch | Roller diameter | Width between inner plates | Pin diameter | | Pin length | | Inner plate depth | Plate thickness | Transverse pitch |
|-------------------|-----------------------|--------|-----------------|----------------------------|--------------|--------|------------|--------|-------------------|-----------------|------------------|
| | | | | | d1 max | d2 max | L max | Lc max | | | |
| | | | | | P | d1 max | b1 min | d2 max | | | |
| | | mm | mm | mm | mm | mm | mm | mm | mm | mm | |
| 12006B-3SS | *06B-3SS | 9,525 | 6,35 | 5,72 | 3,28 | 33,5 | 34,6 | 8,20 | 1,30 | 10,24 | |
| 12008B-3SS | 08B-3SS | 12,700 | 8,51 | 7,75 | 4,45 | 45,1 | 46,1 | 11,80 | 1,60 | 13,92 | |
| 12010B-3SS | 10B-3SS | 15,875 | 10,16 | 9,65 | 5,08 | 52,7 | 54,1 | 14,70 | 1,70 | 16,59 | |
| 12012B-3SS | 12B-3SS | 19,050 | 12,07 | 11,68 | 5,72 | 61,5 | 63,1 | 16,00 | 1,85 | 19,46 | |
| 12016B-3SS | 16B-3SS | 25,400 | 15,88 | 17,02 | 8,28 | 99,8 | 101,2 | 21,00 | 4,15/3,1 | 31,88 | |
| 12020B-3SS | 20B-3SS | 31,750 | 19,05 | 19,56 | 10,19 | 114,2 | 117,9 | 26,40 | 4,50/3,5 | 36,45 | |
| 12024B-3SS | 24B-3SS | 38,100 | 25,40 | 25,40 | 14,63 | 150,1 | 154,6 | 33,20 | 6,00/4,8 | 48,36 | |
| 12028B-3SS | 28B-3SS | 44,450 | 27,94 | 30,99 | 15,90 | 184,2 | 188,7 | 36,70 | 7,50/6,0 | 59,56 | |
| 12032B-3SS | 32B-3SS | 50,800 | 29,21 | 30,99 | 17,81 | 183,2 | 188,2 | 42,00 | 7,00/6,0 | 58,55 | |

* Straight side plates



| Ultimate tensile strength | Average tensile strength | Weight per meter | Available chain parts | | | | |
|---------------------------|--------------------------|------------------|-----------------------|---|---|---|---|
| Q min | Q0 | q | E | S | L | C | A |
| kN/lbf | kN | kg/m | | | | | |
| 12,6/2832 | | 1,16 | X | | X | | X |
| 21,7/4871 | | 2,03 | X | X | X | | X |
| 26,0/5845 | | 2,77 | X | X | X | | X |
| 33,0/7419 | | 3,46 | X | X | X | | X |
| 72,0/16186 | | 8,13 | X | X | X | | X |
| 106,7/23979 | | 10,82 | | X | X | | X |
| 188,0/42264 | | 20,10 | | X | X | | X |
| 233,9/52575 | | 24,92 | | X | X | | X |
| 272,0/61148 | | 31,56 | | X | X | | X |



Donghua Stainless Steel Roller Chains meet the high requirements in the food industry. For special food applications there are different food grade lubricants available. Please ask our engineering department. Donghua Stainless Steel Roller Chains cannot replace standard carbon steel roller chains in the same size. Breaking Load and Wear Resistance differ too much. Please ask our engineering department for the right dimensional choice per drive. All Donghua roller chains are: Pre-loaded, Fatigue resistant and Wear resistant. Pre-lubricated is possible on request. By default these stainless steel roller chains are not lubricated! Donghua simplex, duplex and triplex roller chains are manufactured according to ISO 606 DIN8187, standard pre-loaded, pre-lubrication on request, do have seamless rollers and are marked with production batch code number for complete traceability. All Donghua roller chains are sealed in plastic bags and packed in cardboard boxes with clear ISO 606 DIN descriptions and safety instructions. Standard packaging size is 5 meter box, reels are available on request. Cut to length service is available on request. Several test certificates like breaking load, length tolerance and material analyses are possible and available on request. Rollers chains which are needed for 'run as pairs' applications can be matched as pairs on request. DIN, 1/2DIN and 1/3DIN length tolerance are possible, please ask us for a quotation. For high temperature, low temperature, food application or special environments different kind of special lubricants are available. Please ask our sales team for any special needs. For drive chain calculation and right dimension check, please contact our engineering department, also see drive chain calculation data sheet on page 301. By filling this data sheet and sending this to our engineering department you will receive a detailed drive chain calculation including life time expectation. Sprockets are available for all roller chains, with pilot bore, fixed bore, keyway, setscrew or bearing bore with grooves. Standard toothing, hardened toothing or special toothing are possible with pilot bore, fixed bore or taper bush. Chain tools, tensioners and chain lubricants please see page 302-310.

Short pitch precision roller chains (A series)

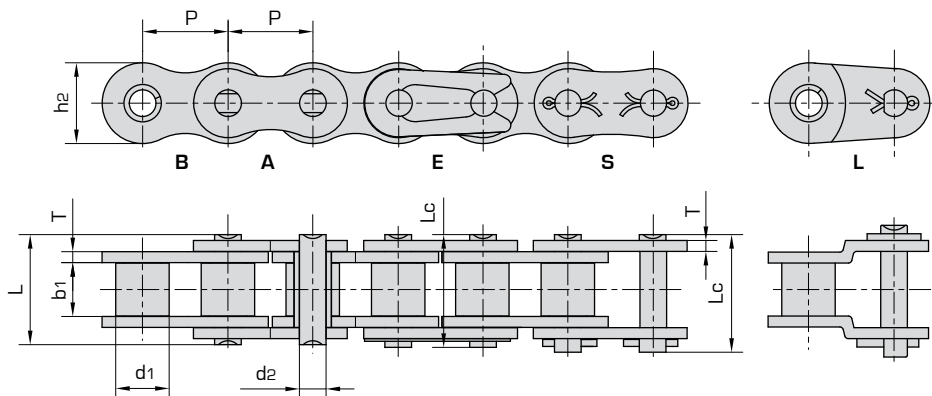
Stainless steel AISI304 (1.4301)

Simplex roller chains & bush chains

| Part nr. | DIN/ISO 606 Chain no. | ANSI Chain no. | Pitch | Roller diameter | Width between inner plates | Pin diameter | Pin length | | Inner plate depth | Plate thickness | |
|------------|--------------------------|-------------------|--------|--------------------|-------------------------------------|-----------------|------------|-------|-------------------------|--------------------|-------|
| | | | | P | d1 max | b1 min | d2 max | L max | Lc max | h2 max | T max |
| | | | | mm | mm | mm | mm | mm | mm | mm | mm |
| 12025-1SS | *04C-1SS | *25SS | 6,350 | 3,30 | 3,18 | 2,31 | 7,90 | 8,40 | 6,00 | 0,80 | |
| 12035-1SS | *06C-1SS | *35SS | 9,525 | 5,08 | 4,77 | 3,58 | 12,40 | 13,17 | 9,00 | 1,30 | |
| 12041-1SS | 085-1SS | 41SS | 12,700 | 7,77 | 6,25 | 3,58 | 13,75 | 15,00 | 9,91 | 1,30 | |
| 12040-1SS | 08A-1SS | 40SS | 12,700 | 7,95 | 7,85 | 3,96 | 16,60 | 17,80 | 12,00 | 1,50 | |
| 12050-1SS | 10A-1SS | 50SS | 15,875 | 10,16 | 9,40 | 5,08 | 20,70 | 22,20 | 15,09 | 2,03 | |
| 12060-1SS | 12A-1SS | 60SS | 19,050 | 11,91 | 12,57 | 5,94 | 25,90 | 27,70 | 18,00 | 2,42 | |
| 12080-1SS | 16A-1SS | 80SS | 25,400 | 15,88 | 15,75 | 7,92 | 32,70 | 35,00 | 24,00 | 3,25 | |
| 120100-1SS | 20A-1SS | 100SS | 31,750 | 19,05 | 18,90 | 9,53 | 40,40 | 44,70 | 30,00 | 4,00 | |
| 120120-1SS | 24A-1SS | 120SS | 38,100 | 22,23 | 25,22 | 11,10 | 50,30 | 54,30 | 35,70 | 4,80 | |
| 120140-1SS | 28A-1SS | 140SS | 44,450 | 25,40 | 25,22 | 12,70 | 54,40 | 59,00 | 41,00 | 5,60 | |
| 120160-1SS | 32A-1SS | 160SS | 50,800 | 28,58 | 31,55 | 14,27 | 64,80 | 69,60 | 47,80 | 6,40 | |

* Bush chain: d1 in the table indicates the external diameter of the bush.

* Straight side plates



| Ultimate tensile strength | Average tensile strength | Weight per meter | Available chain parts | | | | | |
|---------------------------|--------------------------|------------------|-----------------------|---|---|---|---|---|
| Q min | Q0 | q | E | S | L | C | A | B |
| kN/lbf | kN | kg/m | | | | | | |
| 3,50/795 | | 0,15 | X | | | | X | |
| 7,90/1795 | | 0,33 | X | | X | | X | |
| 6,67/1516 | | 0,41 | X | | X | | X | |
| 14,10/3205 | | 0,62 | X | | X | | X | |
| 22,20/5045 | | 1,02 | X | | X | | X | |
| 31,80/7227 | | 1,50 | X | | X | | X | |
| 56,70/12886 | | 2,60 | X | | X | | X | |
| 88,50/20114 | | 3,91 | | X | X | | X | |
| 127,00/28864 | | 5,62 | | X | X | | X | |
| 172,40/39182 | | 7,50 | | X | X | | X | |
| 226,80/51545 | | 10,10 | | X | X | | X | |



Donghua Stainless Steel Roller Chains meet the high requirements in the food industry. For special food applications there are different food grade lubricants available. Please ask our engineering department. Donghua Stainless Steel Roller Chains cannot replace standard carbon steel roller chains in the same size. Breaking Load and Wear Resistance differ too much. Please ask our engineering department for the right dimensional choice per drive. All Donghua roller chains are: Pre-loaded, Fatigue resistant and Wear resistant. Pre-lubricated is possible on request. By default these stainless steel roller chains are not lubricated! Donghua simplex, duplex and triplex roller chains are manufactured according to ISO 606 DIN8187, standard pre-loaded, pre-lubrication on request, do have seamless rollers and are marked with production batch code number for complete traceability. All Donghua roller chains are sealed in plastic bags and packed in cardboard boxes with clear ISO 606 DIN descriptions and safety instructions. Standard packaging size is 5 meter box, reels are available on request. Cut to length service is available on request. Several test certificates like breaking load, length tolerance and material analyses are possible and available on request. Rollers chains which are needed for 'run as pairs' applications can be matched as pairs on request. DIN, 1/2DIN and 1/3DIN length tolerance are possible, please ask us for a quotation. For high temperature, low temperature, food application or special environments different kind of special lubricants are available. Please ask our sales team for any special needs. For drive chain calculation and right dimension check, please contact our engineering department, also see drive chain calculation data sheet on page 301. By filling this data sheet and sending this to our engineering department you will receive a detailed drive chain calculation including life time expectation. Sprockets are available for all roller chains, with pilot bore, fixed bore, keyway, setscrew or bearing bore with grooves. Standard toothing, hardened toothing or special toothing are possible with pilot bore, fixed bore or taper bush. Chain tools, tensioners and chain lubricants please see page 302-310.

Short pitch precision roller chains (A series)

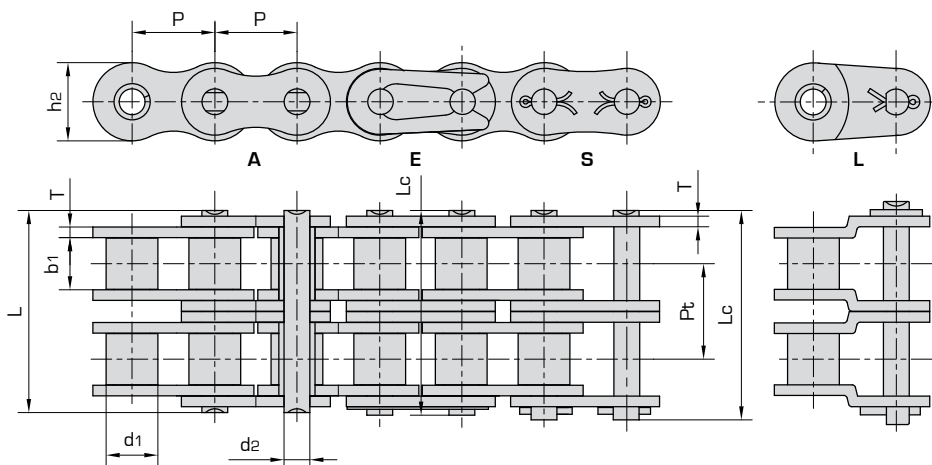
Stainless steel AISI304 (1.4301)

Duplex roller chains & bush chains

| Part nr. | DIN/ISO 606 Chain no. | ANSI Chain no. | Pitch | Roller diameter | Width between inner plates | Pin diameter | Pin length | | Inner plate depth | Plate thickness | Transverse pitch |
|------------|-----------------------|----------------|--------|-----------------|----------------------------|--------------|------------|--------|-------------------|-----------------|------------------|
| | | | P | d1 max | b1 min | d2 max | L max | Lc max | h2 max | T max | |
| | | | mm | mm | mm | mm | mm | mm | mm | mm | |
| 12025-2SS | *04C-2SS | *25-2SS | 6,350 | 3,30 | 3,18 | 2,31 | 14,5 | 15,0 | 6,00 | 0,80 | 6,40 |
| 12035-2SS | *06C-2SS | *35-2SS | 9,525 | 5,08 | 4,77 | 3,58 | 22,5 | 23,3 | 9,00 | 1,30 | 10,13 |
| 12041-2SS | 085-2SS | 41-2SS | 12,700 | 7,77 | 6,25 | 3,58 | 25,7 | 26,9 | 9,91 | 1,30 | 11,95 |
| 12040-2SS | 08A-2SS | 40-2SS | 12,700 | 7,95 | 7,85 | 3,96 | 31,0 | 32,2 | 12,00 | 1,50 | 14,38 |
| 12050-2SS | 10A-2SS | 50-2SS | 15,875 | 10,16 | 9,40 | 5,08 | 38,9 | 40,4 | 15,09 | 2,03 | 18,11 |
| 12060-2SS | 12A-2SS | 60-2SS | 19,050 | 11,91 | 12,57 | 5,94 | 48,8 | 50,5 | 18,00 | 2,42 | 22,78 |
| 12080-2SS | 16A-2SS | 80-2SS | 25,400 | 15,88 | 15,75 | 7,92 | 62,7 | 64,3 | 24,00 | 3,25 | 29,29 |
| 120100-2SS | 20A-2SS | 100-2SS | 31,750 | 19,05 | 18,90 | 9,53 | 76,4 | 80,5 | 30,00 | 4,00 | 35,76 |
| 120120-2SS | 24A-2SS | 120-2SS | 38,100 | 22,23 | 25,22 | 11,10 | 95,8 | 99,7 | 35,70 | 4,80 | 45,44 |
| 120140-2SS | 28A-2SS | 140-2SS | 44,450 | 25,40 | 25,22 | 12,70 | 103,3 | 107,9 | 41,00 | 5,60 | 48,87 |
| 120160-2SS | 32A-2SS | 160-2SS | 50,800 | 28,58 | 31,55 | 14,27 | 123,3 | 128,1 | 47,80 | 6,40 | 58,55 |

* Bush chain: d1 in the table indicates the external diameter of the bush.

* Straight side plates



| Ultimate tensile strength | Average tensile strength | Weight per meter | Available chain parts | | | | |
|---------------------------|--------------------------|------------------|-----------------------|---|---|---|---|
| Q min | Q0 | q | E | S | L | C | A |
| kN/lbf | kN | kg/m | | | | | |
| 7,00/1591 | | 0,28 | X | | | | X |
| 15,80/3591 | | 0,63 | X | | | | X |
| 13,34/3032 | | 0,81 | X | | X | | X |
| 28,20/6409 | | 1,12 | X | | X | | X |
| 44,40/10091 | | 2,00 | X | | X | | X |
| 63,60/14455 | | 2,92 | X | | X | | X |
| 113,40/25773 | | 5,15 | X | | X | | X |
| 177,00/40227 | | 7,80 | | X | X | | X |
| 254,00/57727 | | 11,70 | | X | X | | X |
| 344,80/78364 | | 15,14 | | X | X | | X |
| 453,60/103091 | | 20,14 | | X | X | | X |



Donghua Stainless Steel Roller Chains meet the high requirements in the food industry. For special food applications there are different food grade lubricants available. Please ask our engineering department. Donghua Stainless Steel Roller Chains cannot replace standard carbon steel roller chains in the same size. Breaking Load and Wear Resistance differ too much. Please ask our engineering department for the right dimensional choice per drive. All Donghua roller chains are: Pre-loaded, Fatigue resistant and Wear resistant. Pre-lubricated is possible on request. By default these stainless steel roller chains are not lubricated! Donghua simplex, duplex and triplex roller chains are manufactured according to ISO 606 DIN8187, standard pre-loaded, pre-lubrication on request, do have seamless rollers and are marked with production batch code number for complete traceability. All Donghua roller chains are sealed in plastic bags and packed in cardboard boxes with clear ISO 606 DIN descriptions and safety instructions. Standard packaging size is 5 meter box, reels are available on request. Cut to length service is available on request. Several test certificates like breaking load, length tolerance and material analyses are possible and available on request. Rollers chains which are needed for 'run as pairs' applications can be matched as pairs on request. DIN, 1/2DIN and 1/3DIN length tolerance are possible, please ask us for a quotation. For high temperature, low temperature, food application or special environments different kind of special lubricants are available. Please ask our sales team for any special needs. For drive chain calculation and right dimension check, please contact our engineering department, also see drive chain calculation data sheet on page 301. By filling this data sheet and sending this to our engineering department you will receive a detailed drive chain calculation including life time expectation. Sprockets are available for all roller chains, with pilot bore, fixed bore, keyway, setscrew or bearing bore with grooves. Standard toothing, hardened toothing or special toothing are possible with pilot bore, fixed bore or taper bush. Chain tools, tensioners and chain lubricants please see page 302-310.

Short pitch precision roller chains (A series)

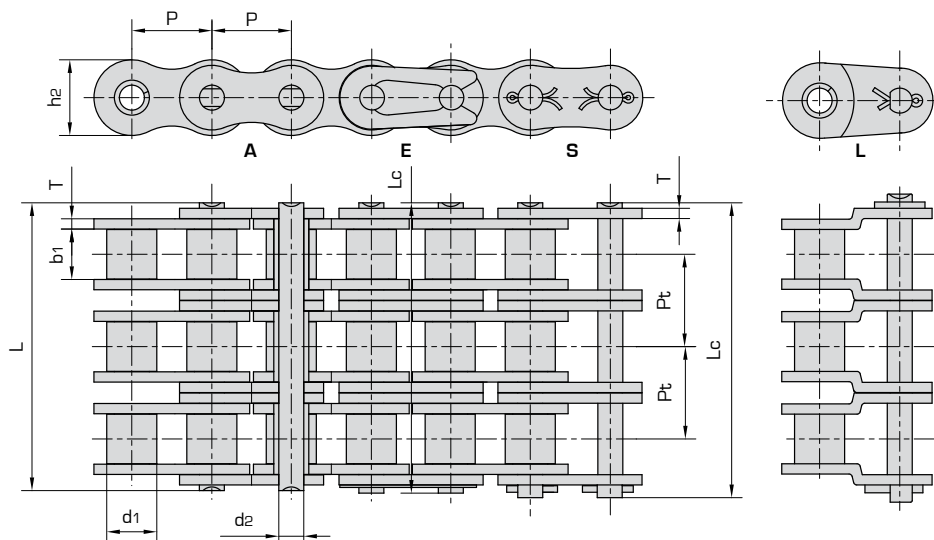
Stainless steel AISI304(1.4301)

Triplex roller chains & bush chains

| Part nr. | DIN/ISO 606 Chain no. | ANSI Chain no. | Pitch | Roller diameter | Width between inner plates | Pin diameter | Pin length | | Inner plate depth | Plate thickness | Transverse pitch |
|-------------------|--------------------------|-------------------|--------|--------------------|-------------------------------------|-----------------|------------|--------|-------------------------|--------------------|---------------------|
| | | | | d1 max | b1 min | d2 max | L max | Lc max | h2 max | T max | |
| | | | | mm | mm | mm | mm | mm | mm | mm | |
| 12025-3SS | *04C-3SS | *25-3SS | 6,350 | 3,30 | 3,18 | 2,31 | 21,0 | 21,5 | 6,00 | 0,80 | 6,40 |
| 12035-3SS | *06C-3SS | *35-3SS | 9,525 | 5,08 | 4,77 | 3,58 | 32,7 | 33,5 | 9,00 | 1,30 | 10,13 |
| 12040-3SS | 08A-3SS | 40-3SS | 12,700 | 7,95 | 7,85 | 3,96 | 45,4 | 46,6 | 12,00 | 1,50 | 14,38 |
| 12050-3SS | 10A-3SS | 50-3SS | 15,875 | 10,16 | 9,40 | 5,08 | 57,0 | 58,5 | 15,09 | 2,03 | 18,11 |
| 12060-3SS | 12A-3SS | 60-3SS | 19,050 | 11,91 | 12,57 | 5,94 | 71,5 | 73,3 | 18,00 | 2,42 | 22,78 |
| 12080-3SS | 16A-3SS | 80-3SS | 25,400 | 15,88 | 15,75 | 7,92 | 91,7 | 93,6 | 24,00 | 3,25 | 29,29 |
| 120100-3SS | 20A-3SS | 100-3SS | 31,750 | 19,05 | 18,90 | 9,53 | 112,2 | 116,3 | 30,00 | 4,00 | 35,76 |
| 120120-3SS | 24A-3SS | 120-3SS | 38,100 | 22,23 | 25,22 | 11,10 | 141,4 | 145,2 | 35,70 | 4,80 | 45,44 |
| 120140-3SS | 28A-3SS | 140-3SS | 44,450 | 25,40 | 25,22 | 12,70 | 152,2 | 156,8 | 41,00 | 5,60 | 48,87 |
| 120160-3SS | 32A-3SS | 160-3SS | 50,800 | 28,58 | 31,55 | 14,27 | 181,8 | 186,6 | 47,80 | 6,40 | 58,55 |

* Bush chain: d1 in the table indicates the external diameter of the bush.

* Straight side plates



| Ultimate tensile strength | Average tensile strength | Weight per meter | Available chain parts | | | | |
|---------------------------|--------------------------|------------------|-----------------------|---|---|---|---|
| Q min | Q0 | q | E | S | L | C | A |
| kN/lbf | kN | kg/m | | | | | |
| 10,5/2386 | | 0,44 | X | | | | X |
| 23,7/5386 | | 1,05 | X | | | | X |
| 42,3/9614 | | 1,90 | X | | X | | X |
| 66,6/15136 | | 3,09 | X | | X | | X |
| 95,4/21682 | | 4,54 | X | | X | | X |
| 170,1/38659 | | 7,89 | X | | X | | X |
| 265,5/60341 | | 11,77 | | X | X | | X |
| 381,0/86591 | | 17,53 | | X | X | | X |
| 517,2/117545 | | 22,20 | | X | X | | X |
| 680,4/154636 | | 30,02 | | X | X | | X |



Donghua Stainless Steel Roller Chains meet the high requirements in the food industry. For special food applications there are different food grade lubricants available. Please ask our engineering department. Donghua Stainless Steel Roller Chains cannot replace standard carbon steel roller chains in the same size. Breaking Load and Wear Resistance differ too much. Please ask our engineering department for the right dimensional choice per drive. All Donghua roller chains are: Pre-loaded, Fatigue resistant and Wear resistant. Pre-lubricated is possible on request. By default these stainless steel roller chains are not lubricated! Donghua simplex, duplex and triplex roller chains are manufactured according to ISO 606 DIN8187, standard pre-loaded, pre-lubrication on request, do have seamless rollers and are marked with production batch code number for complete traceability. All Donghua roller chains are sealed in plastic bags and packed in cardboard boxes with clear ISO 606 DIN descriptions and safety instructions. Standard packaging size is 5 meter box, reels are available on request. Cut to length service is available on request. Several test certificates like breaking load, length tolerance and material analyses are possible and available on request. Rollers chains which are needed for 'run as pairs' applications can be matched as pairs on request. DIN, 1/2DIN and 1/3DIN length tolerance are possible, please ask us for a quotation. For high temperature, low temperature, food application or special environments different kind of special lubricants are available. Please ask our sales team for any special needs. For drive chain calculation and right dimension check, please contact our engineering department, also see drive chain calculation data sheet on page 301. By filling this data sheet and sending this to our engineering department you will receive a detailed drive chain calculation including life time expectation. Sprockets are available for all roller chains, with pilot bore, fixed bore, keyway, setscrew or bearing bore with grooves. Standard toothing, hardened toothing or special toothing are possible with pilot bore, fixed bore or taper bush. Chain tools, tensioners and chain lubricants please see page 302-310.

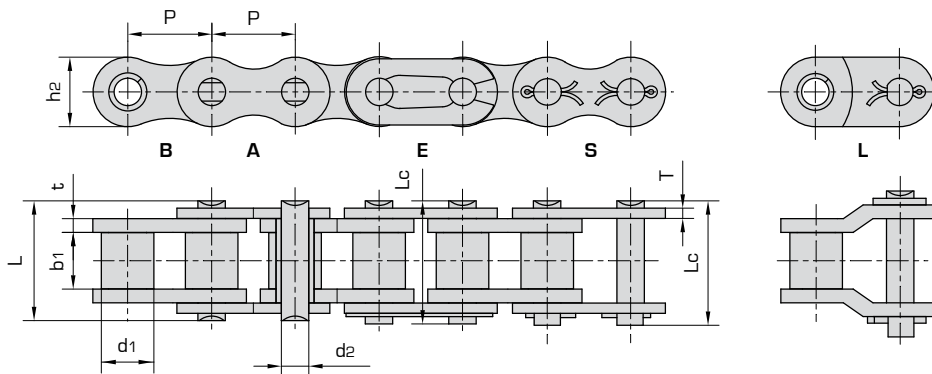
Short pitch precision roller chains (B series)

Stainless steel AISI304 (1.4301) SS Plus with hard chromized pins

Simplex roller chains

| Part nr. | DIN/ISO 606 Chain no. | Pitch | Roller diameter | Width between inner plates | Pin diameter | Pin length | | Inner plate depth | Plate thickness |
|------------------------|-----------------------|--------|-----------------|----------------------------|--------------|------------|--------|-------------------|-----------------|
| | | | | | | L max | Lc max | | |
| | | | | | | P | d1 max | | |
| | | mm | mm | mm | mm | mm | mm | mm | mm |
| 12106B-1SS PLUS | *06B-1SS PLUS | 9,525 | 6,35 | 5,72 | 3,28 | 13,15 | 14,1 | 8,20 | 1,30 |
| 12108B-1SS PLUS | 08B-1SS PLUS | 12,700 | 8,51 | 7,75 | 4,45 | 16,70 | 18,2 | 11,80 | 1,60 |
| 12110B-1SS PLUS | 10B-1SS PLUS | 15,875 | 10,16 | 9,65 | 5,08 | 19,50 | 20,9 | 14,70 | 1,70 |
| 12112B-1SS PLUS | 12B-1SS PLUS | 19,050 | 12,07 | 11,68 | 5,72 | 22,50 | 24,2 | 16,00 | 1,85 |
| 12116B-1SS PLUS | 16B-1SS PLUS | 25,400 | 15,88 | 17,02 | 8,28 | 36,10 | 37,4 | 21,00 | 4,15/3,1 |
| 12120B-1SS PLUS | 20B-1SS PLUS | 31,750 | 19,05 | 19,56 | 10,19 | 41,30 | 45,0 | 26,40 | 4,50/3,5 |
| 12124B-1SS PLUS | 24B-1SS PLUS | 38,100 | 25,40 | 25,40 | 14,63 | 53,40 | 57,8 | 33,20 | 6,00/4,8 |
| 12128B-1SS PLUS | 28B-1SS PLUS | 44,450 | 27,94 | 30,99 | 15,90 | 65,10 | 69,5 | 36,70 | 7,50/6,0 |
| 12132B-1SS PLUS | 32B-1SS PLUS | 50,800 | 29,21 | 30,99 | 17,81 | 66,00 | 71,0 | 42,00 | 7,00/6,0 |

* Straight side plates



| Ultimate tensile strength | Average tensile strength | Weight per meter | Available chain parts | | | | | | |
|---------------------------|--------------------------|------------------|-----------------------|---|---|---|---|---|--|
| Q min | Q0 | q | E | S | L | C | A | B | |
| kN/lbf | kN | kg/m | | | | | | | |
| 6,2/1409 | | 0,41 | X | | X | | X | | |
| 12,0/2727 | | 0,70 | X | X | X | | X | | |
| 14,5/3295 | | 0,94 | X | X | X | | X | | |
| 18,5/4205 | | 1,16 | X | X | X | | X | | |
| 40,0/9091 | | 2,73 | X | X | X | | X | | |
| 59,0/13409 | | 3,73 | X | X | X | | X | | |
| 104,0/25454 | | 7,20 | | X | X | | X | | |
| 129,0/27219 | | 8,50 | | X | X | | X | | |
| 150,0/34090 | | 10,25 | | X | X | | X | | |



Solution range



Donghua SS PLUS Stainless Steel Roller Chain offer a +30% higher wear resistance than normal Stainless Steel Roller Chains. Thanks to the use of hard chromized pins, this wear resistance performance is realized. Donghua Stainless Steel Roller Chains meet the high requirements in the Food industry. For special food applications there are different food grade lubricants available. Please ask our engineering department. Donghua Stainless Steel Roller Chains cannot replace standard carbon steel roller chains in the same size. Breaking Load and Wear Resistance differ too much. Please ask our engineering department for the right dimensional choice per drive. All Donghua roller chains are: Pre-loaded, Fatigue resistant and Wear resistant. Pre-lubricated is possible on request. By default these stainless steel roller chains are not lubricated! Donghua simplex, duplex and triplex roller chains are manufactured according to ISO 606 DIN8187, standard pre-loaded, pre-lubrication on request, do have seamless rollers and are marked with production batch code number for complete traceability. All Donghua roller chains are sealed in plastic bags and packed in cardboard boxes with clear ISO 606 DIN descriptions and safety instructions. Standard packaging size is 5 meter box, reels are available on request. Cut to length service is available on request. Several test certificates like breaking load, length tolerance and material analyses are possible and available on request. Rollers chains which are needed for 'run as pairs' applications can be matched as pairs on request. DIN, 1/2DIN and 1/3DIN length tolerance are possible, please ask us for a quotation. For high temperature, low temperature, food application or special environments different kind of special lubricants are available. Please ask our sales team for any special needs. For drive chain calculation and right dimension check, please contact our engineering department, also see drive chain calculation data sheet on page 301. By filling this data sheet and sending this to our engineering department you will receive a detailed drive chain calculation including life time expectation. Sprockets are available for all roller chains, with pilot bore, fixed bore, keyway, setscrew or bearing bore with grooves. Standard toothing, hardened toothing or special toothing are possible with pilot bore, fixed bore or taper bush. Chain tools, tensioners and chain lubricants please see page 302-310.

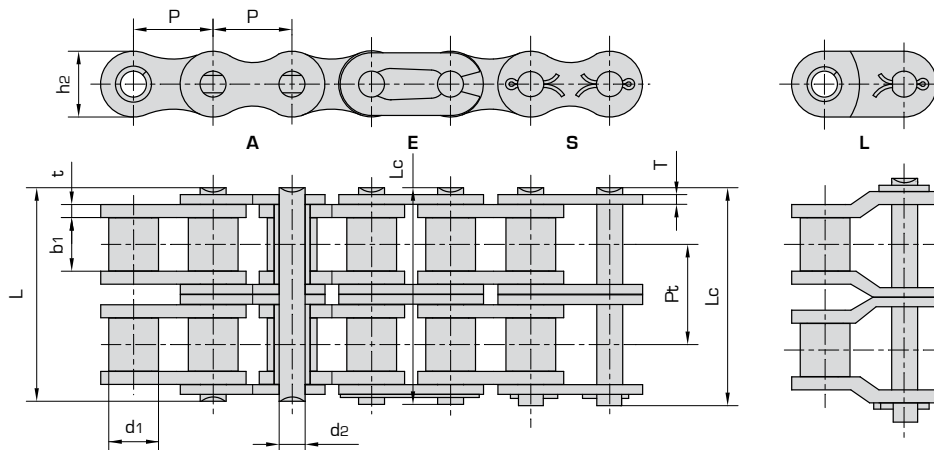
Short pitch precision roller chains (B series)

Stainless steel AISI304 (1.4301) SS Plus with hard chromized pins

Duplex roller chains

| Part nr. | DIN/ISO 606 Chain no. | Pitch | Roller diameter | Width between inner plates | Pin diameter | Pin length | | Inner plate depth | Plate thickness | Transverse pitch |
|-----------------|-----------------------|--------|-----------------|----------------------------|--------------|------------|--------|-------------------|-----------------|------------------|
| | | | | | | L max | Lc max | | | |
| | | P | d1 max | b1 min | d2 max | L max | Lc max | h2 max | T max | |
| | | mm | mm | mm | mm | mm | mm | mm | mm | |
| 12106B-2SS PLUS | *06B-2SS PLUS | 9,525 | 6,35 | 5,72 | 3,28 | 23,4 | 24,4 | 8,20 | 1,30 | 10,24 |
| 12108B-2SS PLUS | 08B-2SS PLUS | 12,700 | 8,51 | 7,75 | 4,45 | 31,0 | 32,2 | 11,80 | 1,60 | 13,92 |
| 12110B-2SS PLUS | 10B-2SS PLUS | 15,875 | 10,16 | 9,65 | 5,08 | 36,1 | 37,5 | 14,70 | 1,70 | 16,59 |
| 12112B-2SS PLUS | 12B-2SS PLUS | 19,050 | 12,07 | 11,68 | 5,72 | 42,0 | 43,6 | 16,00 | 1,85 | 19,46 |
| 12116B-2SS PLUS | 16B-2SS PLUS | 25,400 | 15,88 | 17,02 | 8,28 | 68,0 | 69,3 | 21,00 | 4,15/3,1 | 31,88 |
| 12120B-2SS PLUS | 20B-2SS PLUS | 31,750 | 19,05 | 19,56 | 10,19 | 77,8 | 81,5 | 26,40 | 4,50/3,5 | 36,45 |
| 12124B-2SS PLUS | 24B-2SS PLUS | 38,100 | 25,40 | 25,40 | 14,63 | 101,7 | 106,2 | 33,20 | 6,00/4,8 | 48,36 |
| 12128B-2SS PLUS | 28B-2SS PLUS | 44,450 | 27,94 | 30,99 | 15,90 | 124,6 | 129,1 | 36,70 | 7,50/6,0 | 59,56 |
| 12132B-2SS PLUS | 32B-2SS PLUS | 50,800 | 29,21 | 30,99 | 17,81 | 124,6 | 129,6 | 42,00 | 7,00/6,0 | 58,55 |

* Straight side plates



| Ultimate tensile strength | Average tensile strength | Weight per meter | Available chain parts | | | | |
|---------------------------|--------------------------|------------------|-----------------------|---|---|---|---|
| Q min | Q0 | q | E | S | L | C | A |
| kN/lbf | kN | kg/m | | | | | |
| 11,9/2675 | | 0,77 | X | | X | | X |
| 20,40/4586 | | 1,34 | X | X | X | | X |
| 24,65/5541 | | 1,84 | X | X | X | | X |
| 31,45/7070 | | 2,31 | X | X | X | | X |
| 68,0/15287 | | 5,42 | X | X | X | | X |
| 100,0/22480 | | 7,20 | | X | X | | X |
| 176,8/39746 | | 13,40 | | X | X | | X |
| 219,3/49300 | | 16,60 | | X | X | | X |
| 255,0/57326 | | 21,00 | | X | X | | X |



Solution range



Donghua SS PLUS Stainless Steel Roller Chain offer a +30% higher wear resistance than normal Stainless Steel Roller Chains. Thanks to the use of hard chromized pins, this wear resistance performance is realized. Donghua Stainless Steel Roller Chains meet the high requirements in the Food industry. For special food applications there are different food grade lubricants available. Please ask our engineering department. Donghua Stainless Steel Roller Chains cannot replace standard carbon steel roller chains in the same size. Breaking Load and Wear Resistance differ too much. Please ask our engineering department for the right dimensional choice per drive. All Donghua roller chains are: Pre-loaded, Fatigue resistant and Wear resistant. Pre-lubricated is possible on request. By default these stainless steel roller chains are not lubricated! Donghua simplex, duplex and triplex roller chains are manufactured according to ISO 606 DIN8187, standard pre-loaded, pre-lubrication on request, do have seamless rollers and are marked with production batch code number for complete traceability. All Donghua roller chains are sealed in plastic bags and packed in cardboard boxes with clear ISO 606 DIN descriptions and safety instructions. Standard packaging size is 5 meter box, reels are available on request. Cut to length service is available on request. Several test certificates like breaking load, length tolerance and material analyses are possible and available on request. Rollers chains which are needed for 'run as pairs' applications can be matched as pairs on request. DIN, 1/2DIN and 1/3DIN length tolerance are possible, please ask us for a quotation. For high temperature, low temperature, food application or special environments different kind of special lubricants are available. Please ask our sales team for any special needs. For drive chain calculation and right dimension check, please contact our engineering department, also see drive chain calculation data sheet on page 301. By filling this data sheet and sending this to our engineering department you will receive a detailed drive chain calculation including life time expectation. Sprockets are available for all roller chains, with pilot bore, fixed bore, keyway, setscrew or bearing bore with grooves. Standard toothing, hardened toothing or special toothing are possible with pilot bore, fixed bore or taper bush. Chain tools, tensioners and chain lubricants please see page 302-310.

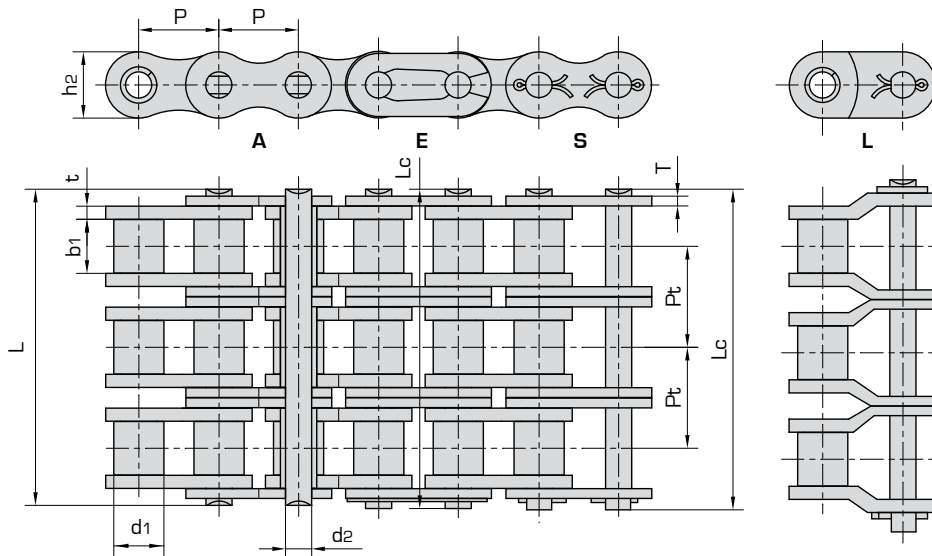
Short pitch precision roller chains (B series)

Stainless steel AISI304 (1.4301) SS Plus with hard chromized pins

Triplex roller chains

| Part nr. | DIN/ISO 606 Chain no. | Pitch | Roller diameter | Width between inner plates | Pin diameter | Pin length | | Inner plate depth | Plate thickness | Transverse pitch |
|------------------------|-----------------------|--------|-----------------|----------------------------|--------------|------------|--------|-------------------|-----------------|------------------|
| | | | | | | L max | Lc max | | | |
| | | P | d1 max | b1 min | d2 max | L max | Lc max | h2 max | T max | |
| | | mm | mm | mm | mm | mm | mm | mm | mm | |
| 12106B-3SS PLUS | *06B-3SS PLUS | 9,525 | 6,35 | 5,72 | 3,28 | 33,5 | 34,6 | 8,20 | 1,30 | 10,24 |
| 12108B-3SS PLUS | 08B-3SS PLUS | 12,700 | 8,51 | 7,75 | 4,45 | 45,1 | 46,1 | 11,80 | 1,60 | 13,92 |
| 12110B-3SS PLUS | 10B-3SS PLUS | 15,875 | 10,16 | 9,65 | 5,08 | 52,7 | 54,1 | 14,70 | 1,70 | 16,59 |
| 12112B-3SS PLUS | 12B-3SS PLUS | 19,050 | 12,07 | 11,68 | 5,72 | 61,5 | 63,1 | 16,00 | 1,85 | 19,46 |
| 12116B-3SS PLUS | 16B-3SS PLUS | 25,400 | 15,88 | 17,02 | 8,28 | 99,8 | 101,2 | 21,00 | 4,15/3,1 | 31,88 |
| 12120B-3SS PLUS | 20B-3SS PLUS | 31,750 | 19,05 | 19,56 | 10,19 | 114,2 | 117,9 | 26,40 | 4,50/3,5 | 36,45 |
| 12124B-3SS PLUS | 24B-3SS PLUS | 38,100 | 25,40 | 25,40 | 14,63 | 150,1 | 154,6 | 33,20 | 6,00/4,8 | 48,36 |
| 12128B-3SS PLUS | 28B-3SS PLUS | 44,450 | 27,94 | 30,99 | 15,90 | 184,2 | 188,7 | 36,70 | 7,50/6,0 | 59,56 |
| 12132B-3SS PLUS | 32B-3SS PLUS | 50,800 | 29,21 | 30,99 | 17,81 | 183,2 | 188,2 | 42,00 | 7,00/6,0 | 58,55 |

* Straight side plates



| Ultimate tensile strength | Average tensile strength | Weight per meter | Available chain parts | | | | |
|---------------------------|--------------------------|------------------|-----------------------|---|---|---|---|
| Q min | Q0 | q | E | S | L | C | A |
| kN/lbf | kN | kg/m | | | | | |
| 18,9/4248 | | 1,16 | X | | X | | X |
| 32,5/7306 | | 2,03 | X | X | X | | X |
| 39,0/8767 | | 2,77 | X | X | X | | X |
| 49,5/11128 | | 3,46 | X | X | X | | X |
| 108,0/24279 | | 8,13 | X | X | X | | X |
| 160,0/35969 | | 10,82 | | X | X | | X |
| 282,0/63396 | | 20,10 | | X | X | | X |
| 350,8/78862 | | 24,92 | | X | X | | X |
| 408,0/91722 | | 31,56 | | X | X | | X |



Donghua SS PLUS Stainless Steel Roller Chain offer a +30% higher wear resistance than normal Stainless Steel Roller Chains. Thanks to the use of hard chromized pins, this wear resistance performance is realized. Donghua Stainless Steel Roller Chains meet the high requirements in the Food industry. For special food applications there are different food grade lubricants available. Please ask our engineering department. Donghua Stainless Steel Roller Chains cannot replace standard carbon steel roller chains in the same size. Breaking Load and Wear Resistance differ too much. Please ask our engineering department for the right dimensional choice per drive. All Donghua roller chains are: Pre-loaded, Fatigue resistant and Wear resistant. Pre-lubricated is possible on request. By default these stainless steel roller chains are not lubricated! Donghua simplex, duplex and triplex roller chains are manufactured according to ISO 606 DIN8187, standard pre-loaded, pre-lubrication on request, do have seamless rollers and are marked with production batch code number for complete traceability. All Donghua roller chains are sealed in plastic bags and packed in cardboard boxes with clear ISO 606 DIN descriptions and safety instructions. Standard packaging size is 5 meter box, reels are available on request. Cut to length service is available on request. Several test certificates like breaking load, length tolerance and material analyses are possible and available on request. Rollers chains which are needed for 'run as pairs' applications can be matched as pairs on request. DIN, 1/2DIN and 1/3DIN length tolerance are possible, please ask us for a quotation. For high temperature, low temperature, food application or special environments different kind of special lubricants are available. Please ask our sales team for any special needs. For drive chain calculation and right dimension check, please contact our engineering department, also see drive chain calculation data sheet on page 301. By filling this data sheet and sending this to our engineering department you will receive a detailed drive chain calculation including life time expectation. Sprockets are available for all roller chains, with pilot bore, fixed bore, keyway, setscrew or bearing bore with grooves. Standard toothing, hardened toothing or special toothing are possible with pilot bore, fixed bore or taper bush. Chain tools, tensioners and chain lubricants please see page 302-310.

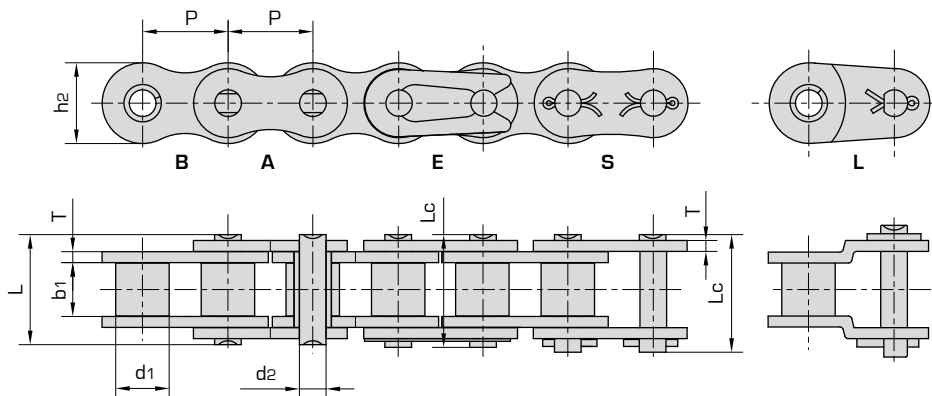
Short pitch precision roller chains (A series)

Stainless steel AISI304 (1.4301) SS Plus with hard chromized pins

Simplex roller chains & bush chains

| Part nr. | DIN/ISO 606 Chain no. | ANSI Chain no. | Pitch | Roller diameter | Width between inner plates | Pin diameter | Pin length | | Inner plate depth | Plate thickness |
|----------------|-----------------------|----------------|--------|-----------------|----------------------------|--------------|------------|--------|-------------------|-----------------|
| | | | P | d1 max | b1 min | d2 max | L max | Lc max | h2 max | T max |
| | | | mm | mm | mm | mm | mm | mm | mm | mm |
| 12125-1SSPLUS | *04C-1SSPLUS | *25SSPLUS | 6,350 | 3,30 | 3,18 | 2,31 | 7,90 | 8,40 | 6,00 | 0,80 |
| 12135-1SSPLUS | *06C-1SSPLUS | *35SSPLUS | 9,525 | 5,08 | 4,77 | 3,58 | 12,40 | 13,17 | 9,00 | 1,30 |
| 12140-1SSPLUS | 08A-1SSPLUS | 40SSPLUS | 12,700 | 7,95 | 7,85 | 3,96 | 16,60 | 17,80 | 12,00 | 1,50 |
| 12150-1SSPLUS | 10A-1SSPLUS | 50SSPLUS | 15,875 | 10,16 | 9,40 | 5,08 | 20,70 | 22,20 | 15,09 | 2,03 |
| 12160-1SSPLUS | 12A-1SSPLUS | 60SSPLUS | 19,050 | 11,91 | 12,57 | 5,94 | 25,90 | 27,70 | 18,00 | 2,42 |
| 12180-1SSPLUS | 16A-1SSPLUS | 80SSPLUS | 25,400 | 15,88 | 15,75 | 7,92 | 32,70 | 35,00 | 24,00 | 3,25 |
| 121100-1SSPLUS | 20A-1SSPLUS | 100SSPLUS | 31,750 | 19,05 | 18,90 | 9,53 | 40,40 | 44,70 | 30,00 | 4,00 |
| 121120-1SSPLUS | 24A-1SSPLUS | 120SSPLUS | 38,100 | 22,23 | 25,22 | 11,10 | 50,30 | 54,30 | 35,70 | 4,80 |
| 121140-1SSPLUS | 28A-1SSPLUS | 140SSPLUS | 44,450 | 25,40 | 25,22 | 12,70 | 54,40 | 59,00 | 41,00 | 5,60 |
| 121160-1SSPLUS | 32A-1SSPLUS | 160SSPLUS | 50,800 | 28,58 | 31,55 | 14,27 | 64,80 | 69,60 | 47,80 | 6,40 |

* Bush chain: d1 in the table indicates the external diameter of the bush.



| Ultimate tensile strength | Average tensile strength | Weight per meter | Available chain parts | | | | | |
|---------------------------|--------------------------|------------------|-----------------------|---|---|---|---|---|
| Q min | Q0 | q | E | S | L | C | A | B |
| kN/lbf | kN | kg/m | | | | | | |
| 3,50/795 | | 0,15 | X | | | | X | |
| 7,90/1795 | | 0,33 | X | | X | | X | |
| 14,10/3205 | | 0,62 | X | | X | | X | |
| 22,20/5045 | | 1,02 | X | | X | | X | |
| 31,80/7227 | | 1,50 | X | | X | | X | |
| 56,70/12886 | | 2,60 | X | | X | | X | |
| 88,50/20114 | | 3,91 | | X | X | | X | |
| 127,00/28864 | | 5,62 | | X | X | | X | |
| 172,40/39182 | | 7,50 | | X | X | | X | |
| 226,80/51545 | | 10,10 | | X | X | | X | |



Solution range



Donghua SS PLUS Stainless Steel Roller Chain offer a +30% higher wear resistance than normal Stainless Steel Roller Chains. Thanks to the use of hard chromized pins, this wear resistance performance is realized. Donghua Stainless Steel Roller Chains meet the high requirements in the Food industry. For special food applications there are different food grade lubricants available. Please ask our engineering department. Donghua Stainless Steel Roller Chains cannot replace standard carbon steel roller chains in the same size. Breaking Load and Wear Resistance differ too much. Please ask our engineering department for the right dimensional choice per drive. All Donghua roller chains are: Pre-loaded, Fatigue resistant and Wear resistant. Pre-lubricated is possible on request. By default these stainless steel roller chains are not lubricated! Donghua simplex, duplex and triplex roller chains are manufactured according to ISO 606 DIN8187, standard pre-loaded, pre-lubrication on request, do have seamless rollers and are marked with production batch code number for complete traceability. All Donghua roller chains are sealed in plastic bags and packed in cardboard boxes with clear ISO 606 DIN descriptions and safety instructions. Standard packaging size is 5 meter box, reels are available on request. Cut to length service is available on request. Several test certificates like breaking load, length tolerance and material analyses are possible and available on request. Rollers chains which are needed for 'run as pairs' applications can be matched as pairs on request. DIN, 1/2DIN and 1/3DIN length tolerance are possible, please ask us for a quotation. For high temperature, low temperature, food application or special environments different kind of special lubricants are available. Please ask our sales team for any special needs. For drive chain calculation and right dimension check, please contact our engineering department, also see drive chain calculation data sheet on page 301. By filling this data sheet and sending this to our engineering department you will receive a detailed drive chain calculation including life time expectation. Sprockets are available for all roller chains, with pilot bore, fixed bore, keyway, setscrew or bearing bore with grooves. Standard toothing, hardened toothing or special toothing are possible with pilot bore, fixed bore or taper bush. Chain tools, tensioners and chain lubricants please see page 302-310.

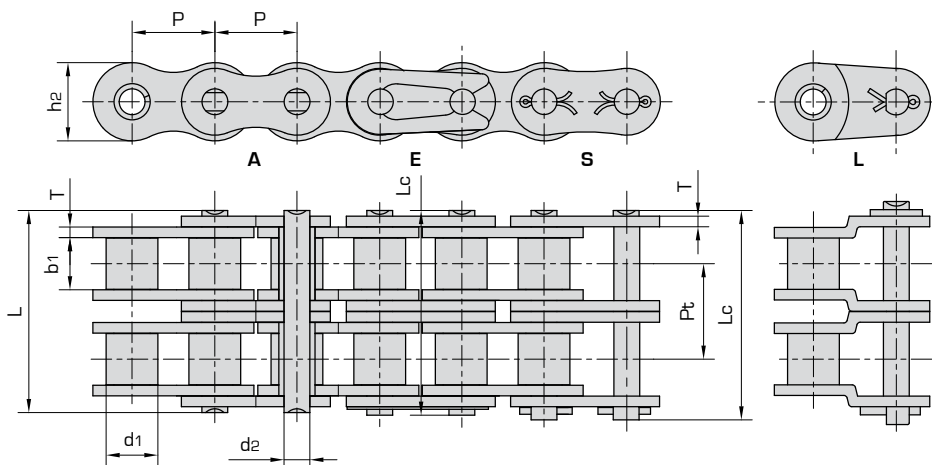
Short pitch precision roller chains (A series)

Stainless steel AISI304 (1.4301) SS Plus with hard chromized pins

Duplex roller chains & bush chains

| Part nr. | DIN/ISO 606 Chain no. | ANSI Chain no. | Pitch | Roller diameter | Width between inner plates | Pin diameter | | Pin length | | Inner plate depth | Plate thickness | Transverse pitch |
|----------------|--------------------------|-------------------|--------|--------------------|-------------------------------------|-----------------|--------|------------|--------|-------------------------|--------------------|---------------------|
| | | | | | | d2 max | d1 max | L max | Lc max | | | |
| | | | P | d1 max | b1 min | d2 max | L max | Lc max | h2 max | T max | | |
| | | | mm | mm | mm | mm | mm | mm | mm | mm | | |
| 12125-2SSPLUS | *04C-2SSPLUS | *25-2SSPLUS | 6,350 | 3,30 | 3,18 | 2,31 | 14,5 | 15,0 | 6,00 | 0,80 | 6,40 | |
| 12135-2SSPLUS | *06C-2SSPLUS | *35-2SSPLUS | 9,525 | 5,08 | 4,77 | 3,58 | 22,5 | 23,3 | 9,00 | 1,30 | 10,13 | |
| 12140-2SSPLUS | 08A-2SSPLUS | 40-2SSPLUS | 12,700 | 7,95 | 7,85 | 3,96 | 31,0 | 32,2 | 12,00 | 1,50 | 14,38 | |
| 12150-2SSPLUS | 10A-2SSPLUS | 50-2SSPLUS | 15,875 | 10,16 | 9,40 | 5,08 | 38,9 | 40,4 | 15,09 | 2,03 | 18,11 | |
| 12160-2SSPLUS | 12A-2SSPLUS | 60-2SSPLUS | 19,050 | 11,91 | 12,57 | 5,94 | 48,8 | 50,5 | 18,00 | 2,42 | 22,78 | |
| 12180-2SSPLUS | 16A-2SSPLUS | 80-2SSPLUS | 25,400 | 15,88 | 15,75 | 7,92 | 62,7 | 64,3 | 24,00 | 3,25 | 29,29 | |
| 121100-2SSPLUS | 20A-2SSPLUS | 100-2SSPLUS | 31,750 | 19,05 | 18,90 | 9,53 | 76,4 | 80,5 | 30,00 | 4,00 | 35,76 | |
| 121120-2SSPLUS | 24A-2SSPLUS | 120-2SSPLUS | 38,100 | 22,23 | 25,22 | 11,10 | 95,8 | 99,7 | 35,70 | 4,80 | 45,44 | |
| 121140-2SSPLUS | 28A-2SSPLUS | 140-2SSPLUS | 44,450 | 25,40 | 25,22 | 12,70 | 103,3 | 107,9 | 41,00 | 5,60 | 48,87 | |
| 121160-2SSPLUS | 32A-2SSPLUS | 160-2SSPLUS | 50,800 | 28,58 | 31,55 | 14,27 | 123,3 | 128,1 | 47,80 | 6,40 | 58,55 | |

* Bush chain: d1 in the table indicates the external diameter of the bush.



| Ultimate tensile strength | Average tensile strength | Weight per meter | Available chain parts | | | | |
|---------------------------|--------------------------|------------------|-----------------------|---|---|---|---|
| Q_{min} Q_{min} | Q_0 Q_0 | q q | E | S | L | C | A |
| kN/lbf | kN | kg/m | | | | | |
| 7,00/1591 | | 0,28 | X | | | | X |
| 15,80/3591 | | 0,63 | X | | | | X |
| 28,20/6409 | | 1,12 | X | | X | | X |
| 44,40/10091 | | 2,00 | X | | X | | X |
| 63,60/14455 | | 2,92 | X | | X | | X |
| 113,40/25773 | | 5,15 | X | | X | | X |
| 177,00/40227 | | 7,80 | | X | X | | X |
| 254,00/57727 | | 11,70 | | X | X | | X |
| 344,80/78364 | | 15,14 | | X | X | | X |
| 453,60/103091 | | 20,14 | | X | X | | X |



Solution
range



Donghua SS PLUS Stainless Steel Roller Chain offer a +30% higher wear resistance than normal Stainless Steel Roller Chains. Thanks to the use of hard chromized pins, this wear resistance performance is realized. Donghua Stainless Steel Roller Chains meet the high requirements in the Food industry. For special food applications there are different food grade lubricants available. Please ask our engineering department. Donghua Stainless Steel Roller Chains cannot replace standard carbon steel roller chains in the same size. Breaking Load and Wear Resistance differ too much. Please ask our engineering department for the right dimensional choice per drive. All Donghua roller chains are: Pre-loaded, Fatigue resistant and Wear resistant. Pre-lubricated is possible on request. By default these stainless steel roller chains are not lubricated! Donghua simplex, duplex and triplex roller chains are manufactured according to ISO 606 DIN8187, standard pre-loaded, pre-lubrication on request, do have seamless rollers and are marked with production batch code number for complete traceability. All Donghua roller chains are sealed in plastic bags and packed in cardboard boxes with clear ISO 606 DIN descriptions and safety instructions. Standard packaging size is 5 meter box, reels are available on request. Cut to length service is available on request. Several test certificates like breaking load, length tolerance and material analyses are possible and available on request. Rollers chains which are needed for 'run as pairs' applications can be matched as pairs on request. DIN, 1/2DIN and 1/3DIN length tolerance are possible, please ask us for a quotation. For high temperature, low temperature, food application or special environments different kind of special lubricants are available. Please ask our sales team for any special needs. For drive chain calculation and right dimension check, please contact our engineering department, also see drive chain calculation data sheet on page 301. By filling this data sheet and sending this to our engineering department you will receive a detailed drive chain calculation including life time expectation. Sprockets are available for all roller chains, with pilot bore, fixed bore, keyway, setscrew or bearing bore with grooves. Standard toothing, hardened toothing or special toothing are possible with pilot bore, fixed bore or taper bush. Chain tools, tensioners and chain lubricants please see page 302-310.

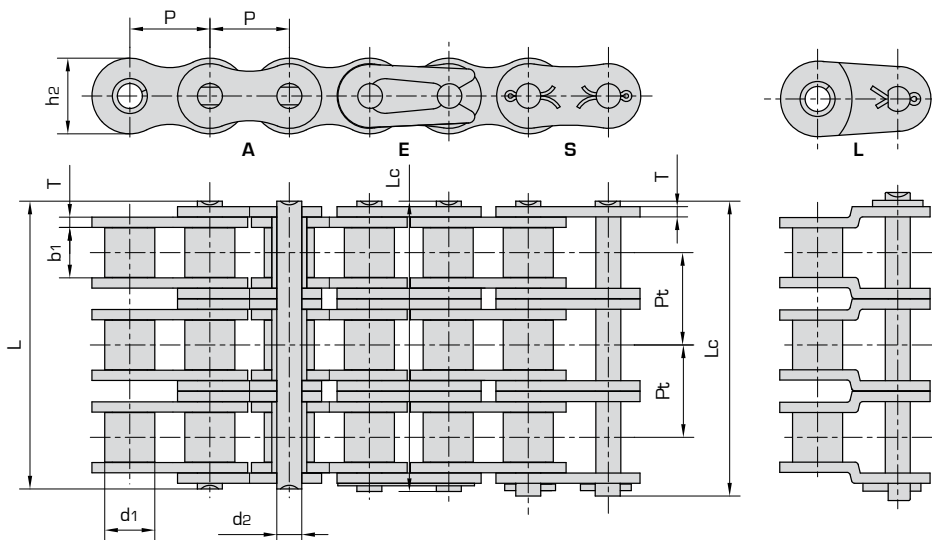
Short pitch precision roller chains (A series)

Stainless steel AISI304(1.4301) SS Plus with hard chromized pins

Triplex roller chains & bush chains

| Part nr. | DIN/ISO 606 Chain no. | ANSI Chain no. | Pitch | Roller diameter | Width between inner plates | Pin diameter | Pin length | | Inner plate depth | Plate thickness | Transverse pitch | |
|----------------|--------------------------|-------------------|--------|--------------------|-------------------------------------|-----------------|------------|-------|-------------------------|--------------------|---------------------|-------|
| | | | | P | d1 max | b1 min | d2 max | L max | Lc max | h2 max | | T max |
| | | | | mm | mm | mm | mm | mm | mm | mm | | mm |
| 12125-3SSPLUS | *04C-3SSPLUS | *25-3SSPLUS | 6,350 | 3,30 | 3,18 | 2,31 | 21,0 | 21,5 | 6,00 | 0,80 | 6,40 | |
| 12135-3SSPLUS | *06C-3SSPLUS | *35-3SSPLUS | 9,525 | 5,08 | 4,77 | 3,58 | 32,7 | 33,5 | 9,00 | 1,30 | 10,13 | |
| 12140-3SSPLUS | 08A-3SSPLUS | 40-3SSPLUS | 12,700 | 7,95 | 7,85 | 3,96 | 45,4 | 46,6 | 12,00 | 1,50 | 14,38 | |
| 12150-3SSPLUS | 10A-3SSPLUS | 50-3SSPLUS | 15,875 | 10,16 | 9,40 | 5,08 | 57,0 | 58,5 | 15,09 | 2,03 | 18,11 | |
| 12160-3SSPLUS | 12A-3SSPLUS | 60-3SSPLUS | 19,050 | 11,91 | 12,57 | 5,94 | 71,5 | 73,3 | 18,00 | 2,42 | 22,78 | |
| 12180-3SSPLUS | 16A-3SSPLUS | 80-3SSPLUS | 25,400 | 15,88 | 15,75 | 7,92 | 91,7 | 93,6 | 24,00 | 3,25 | 29,29 | |
| 121100-3SSPLUS | 20A-3SSPLUS | 100-3SSPLUS | 31,750 | 19,05 | 18,90 | 9,53 | 112,2 | 116,3 | 30,00 | 4,00 | 35,76 | |
| 121120-3SSPLUS | 24A-3SSPLUS | 120-3SSPLUS | 38,100 | 22,23 | 25,22 | 11,10 | 141,4 | 145,2 | 35,70 | 4,80 | 45,44 | |
| 121140-3SSPLUS | 28A-3SSPLUS | 140-3SSPLUS | 44,450 | 25,40 | 25,22 | 12,70 | 152,2 | 156,8 | 41,00 | 5,60 | 48,87 | |
| 121160-3SSPLUS | 32A-3SSPLUS | 160-3SSPLUS | 50,800 | 28,58 | 31,55 | 14,27 | 181,8 | 186,6 | 47,80 | 6,40 | 58,55 | |

* Bush chain: d1 in the table indicates the external diameter of the bush.



| Ultimate tensile strength | Average tensile strength | Weight per meter | Available chain parts | | | | |
|---------------------------|--------------------------|------------------|-----------------------|---|---|---|---|
| Q min | Q0 | q | E | S | L | C | A |
| kN/lbf | kN | kg/m | | | | | |
| 10,5/2386 | | 0,44 | X | | | | X |
| 23,7/5386 | | 1,05 | X | | | | X |
| 42,3/9614 | | 1,90 | X | | X | | X |
| 66,6/15136 | | 3,09 | X | | X | | X |
| 95,4/21682 | | 4,54 | X | | X | | X |
| 170,1/38659 | | 7,89 | X | | X | | X |
| 265,5/60341 | | 11,77 | | X | X | | X |
| 381,0/86591 | | 17,53 | | X | X | | X |
| 517,2/117545 | | 22,20 | | X | X | | X |
| 680,4/154636 | | 30,02 | | X | X | | X |



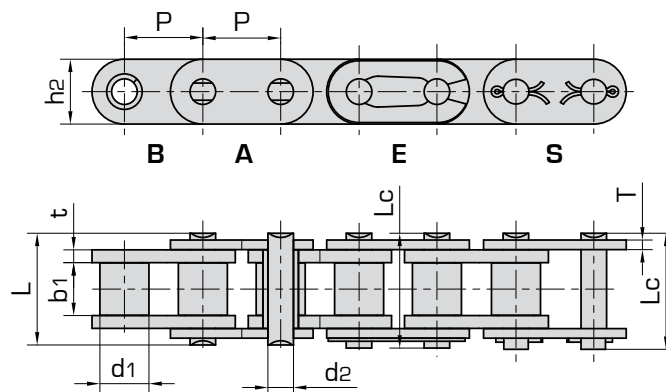
Donghua SS PLUS Stainless Steel Roller Chain offer a +30% higher wear resistance than normal Stainless Steel Roller Chains. Thanks to the use of hard chromized pins, this wear resistance performance is realized. Donghua Stainless Steel Roller Chains meet the high requirements in the Food industry. For special food applications there are different food grade lubricants available. Please ask our engineering department. Donghua Stainless Steel Roller Chains cannot replace standard carbon steel roller chains in the same size. Breaking Load and Wear Resistance differ too much. Please ask our engineering department for the right dimensional choice per drive. All Donghua roller chains are: Pre-loaded, Fatigue resistant and Wear resistant. Pre-lubricated is possible on request. By default these stainless steel roller chains are not lubricated! Donghua simplex, duplex and triplex roller chains are manufactured according to ISO 606 DIN8187, standard pre-loaded, pre-lubrication on request, do have seamless rollers and are marked with production batch code number for complete traceability. All Donghua roller chains are sealed in plastic bags and packed in cardboard boxes with clear ISO 606 DIN descriptions and safety instructions. Standard packaging size is 5 meter box, reels are available on request. Cut to length service is available on request. Several test certificates like breaking load, length tolerance and material analyses are possible and available on request. Rollers chains which are needed for 'run as pairs' applications can be matched as pairs on request. DIN, 1/2DIN and 1/3DIN length tolerance are possible, please ask us for a quotation. For high temperature, low temperature, food application or special environments different kind of special lubricants are available. Please ask our sales team for any special needs. For drive chain calculation and right dimension check, please contact our engineering department, also see drive chain calculation data sheet on page 301. By filling this data sheet and sending this to our engineering department you will receive a detailed drive chain calculation including life time expectation. Sprockets are available for all roller chains, with pilot bore, fixed bore, keyway, setscrew or bearing bore with grooves. Standard toothing, hardened toothing or special toothing are possible with pilot bore, fixed bore or taper bush. Chain tools, tensioners and chain lubricants please see page 302-310.

Short pitch precision roller chains (B series)

Stainless steel AISI304 (1.4301) with straight side plates

Simplex roller chains

| Part nr. | DIN/ISO 606 Chain no. | Pitch | Roller diameter | Width between inner plates | Pin diameter | Pin length | | Inner plate depth | Plate thickness |
|--------------------|--------------------------|--------|--------------------|-------------------------------------|-----------------|------------|--------|----------------------|--------------------|
| | | | | | | L max | Lc max | | |
| | | | | | | P | d1 max | | |
| mm | mm | mm | mm | mm | mm | mm | mm | mm | |
| 12006B-1SS | C06B-1SS | 9,525 | 6,35 | 5,72 | 3,28 | 13,15 | 14,1 | 8,20 | 1,30 |
| 120C08B-1SS | C08B-1SS | 12,700 | 8,51 | 7,75 | 4,45 | 16,70 | 18,2 | 11,80 | 1,60 |
| 120C10B-1SS | C10B-1SS | 15,875 | 10,16 | 9,65 | 5,08 | 19,50 | 20,9 | 14,70 | 1,70 |
| 120C12B-1SS | C12B-1SS | 19,050 | 12,07 | 11,68 | 5,72 | 22,50 | 24,2 | 16,00 | 1,85 |
| 120C16B-1SS | C16B-1SS | 25,400 | 15,88 | 17,02 | 8,28 | 36,10 | 37,4 | 21,00 | 4,15/3,1 |
| 120C20B-1SS | C20B-1SS | 31,750 | 19,05 | 19,56 | 10,19 | 41,30 | 45,0 | 26,40 | 4,50/3,5 |
| 120C24B-1SS | C24B-1SS | 38,100 | 25,40 | 25,40 | 14,63 | 53,40 | 57,8 | 33,20 | 6,00/4,8 |
| 120C28B-1SS | C28B-1SS | 44,450 | 27,94 | 30,99 | 15,90 | 65,10 | 69,5 | 36,70 | 7,50/6,0 |
| 120C32B-1SS | C32B-1SS | 50,800 | 29,21 | 30,99 | 17,81 | 66,00 | 71,0 | 42,00 | 7,00/6,0 |



| Ultimate tensile strength | Average tensile strength | Weight per meter | Available chain parts | | | | | |
|---------------------------|--------------------------|------------------|-----------------------|---|---|---|---|---|
| Q min | Q0 | q | E | S | L | C | A | B |
| kN/lbf | kN | kg/m | | | | | | |
| 6,2/1409 | | 0,41 | X | | X | | X | |
| 12,0/2727 | | 0,69 | X | X | X | | X | |
| 14,5/3295 | | 0,93 | X | X | X | | X | |
| 18,5/4205 | | 1,15 | X | X | X | | X | |
| 40,0/9091 | | 2,71 | X | X | X | | X | |
| 59,0/13409 | | 3,70 | X | X | X | | X | |
| 104,0/25454 | | 7,10 | | X | X | | X | |
| 129,0/27219 | | 8,50 | | X | X | | X | |
| 150,0/34090 | | 10,25 | | X | X | | X | |



Solution
range



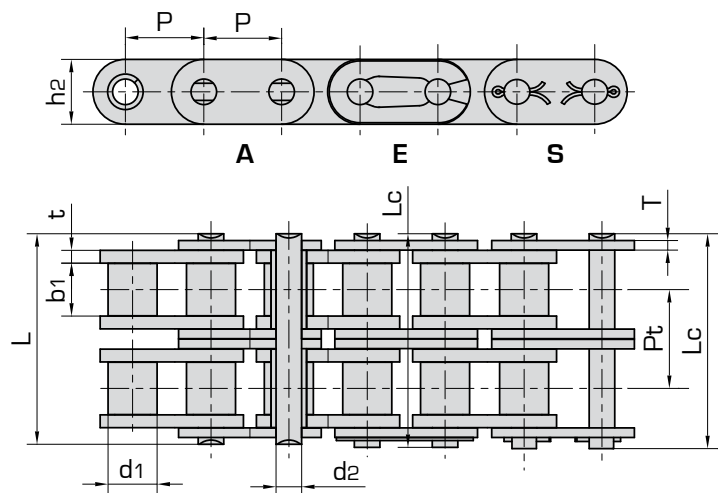
Donghua Straight Side Plate Roller Chains are built for conveying applications. The load capacity per Donghua Chain is exactly known; please ask our engineering department for any calculation examples. Donghua Straight Side Plate Roller Chains can be delivered in Stainless Steel 304 and 316, Zinc plated, Nickel plated, DR or ZinTek Coating and Self Lubricating versions. All Donghua roller chains are: Pre-loaded, Fatigue resistant and Wear resistant. Pre-lubricated is possible on request. By default these stainless steel roller chains are not lubricated! Donghua simplex, duplex and triplex roller chains are manufactured according to ISO 606 DIN8187, standard pre-loaded, pre-lubrication on request, do have seamless rollers and are marked with production batch code number for complete traceability. All Donghua roller chains are sealed in plastic bags and packed in cardboard boxes with clear ISO 606 DIN descriptions and safety instructions. Standard packaging size is 5 meter box, reels are available on request. Cut to length service is available on request. Several test certificates like breaking load, length tolerance and material analyses are possible and available on request. Rollers chains which are needed for 'run as pairs' applications can be matched as pairs on request. DIN, 1/2DIN and 1/3DIN length tolerance are possible, please ask us for a quotation. For high temperature, low temperature, food application or special environments different kind of special lubricants are available. Please ask our sales team for any special needs. For drive chain calculation and right dimension check, please contact our engineering department, also see drive chain calculation data sheet on page 301. By filling this data sheet and sending this to our engineering department you will receive a detailed drive chain calculation including life time expectation. Sprockets are available for all roller chains, with pilot bore, fixed bore, keyway, setscrew or bearing bore with grooves. Standard toothing, hardened toothing or special toothing are possible with pilot bore, fixed bore or taper bush. Chain tools, tensioners and chain lubricants please see page 302-310.

Short pitch precision roller chains (B series)

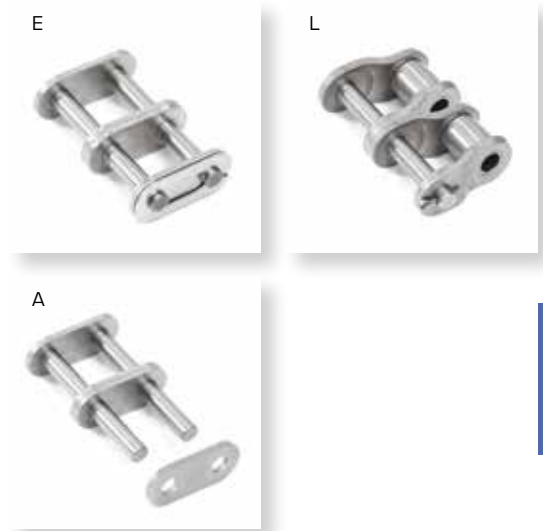
Stainless steel AISI304 (1.4301) with straight side plates

Duplex roller chains

| Part nr. | DIN/ISO 606 Chain no. | Pitch | Roller diameter | Width between inner plates | Pin diameter | Pin length | | Inner plate depth | Plate thickness | Transverse pitch |
|--------------------|--------------------------|--------|--------------------|-------------------------------------|-----------------|------------|--------|----------------------|--------------------|---------------------|
| | | | | | | L max | Lc max | | | |
| | | | | | | P | d1 max | | | |
| mm | mm | mm | mm | mm | mm | mm | mm | mm | mm | |
| 12006B-2SS | C06B-2SS | 9,525 | 6,35 | 5,72 | 3,28 | 23,4 | 24,4 | 8,20 | 1,30 | 10,24 |
| 120C08B-2SS | C08B-2SS | 12,700 | 8,51 | 7,75 | 4,45 | 31,0 | 32,2 | 11,80 | 1,60 | 13,92 |
| 120C10B-2SS | C10B-2SS | 15,875 | 10,16 | 9,65 | 5,08 | 36,1 | 37,5 | 14,70 | 1,70 | 16,59 |
| 120C12B-2SS | C12B-2SS | 19,050 | 12,07 | 11,68 | 5,72 | 42,0 | 43,6 | 16,00 | 1,85 | 19,46 |
| 120C16B-2SS | C16B-2SS | 25,400 | 15,88 | 17,02 | 8,28 | 68,0 | 69,3 | 21,00 | 4,15/3,1 | 31,88 |
| 120C20B-2SS | C20B-2SS | 31,750 | 19,05 | 19,56 | 10,19 | 77,8 | 81,5 | 26,40 | 4,50/3,5 | 36,45 |
| 120C24B-2SS | C24B-2SS | 38,100 | 25,40 | 25,40 | 14,63 | 101,7 | 106,2 | 33,20 | 6,00/4,8 | 48,36 |
| 120C28B-2SS | C28B-2SS | 44,450 | 27,94 | 30,99 | 15,90 | 124,6 | 129,1 | 36,70 | 7,50/6,0 | 59,56 |
| 120C32B-2SS | C32B-2SS | 50,800 | 29,21 | 30,99 | 17,81 | 124,6 | 129,6 | 42,00 | 7,00/6,0 | 58,55 |



| Ultimate tensile strength | Average tensile strength | Weight per meter | Available chain parts | | | | |
|---------------------------|--------------------------|------------------|-----------------------|---|---|---|---|
| Q min | Q0 | q | E | S | L | C | A |
| kN/lbf | kN | kg/m | | | | | |
| 11,9/2675 | | 0,77 | X | | X | | X |
| 20,40/4586 | | 1,34 | X | X | X | | X |
| 24,65/5541 | | 1,84 | X | X | X | | X |
| 31,45/7070 | | 2,31 | X | X | X | | X |
| 68,0/15287 | | 5,42 | X | X | X | | X |
| 100,0/22480 | | 7,20 | | X | X | | X |
| 176,8/39746 | | 13,40 | | X | X | | X |
| 219,3/49300 | | 16,60 | | X | X | | X |
| 255,0/57326 | | 21,00 | | X | X | | X |



Solution range



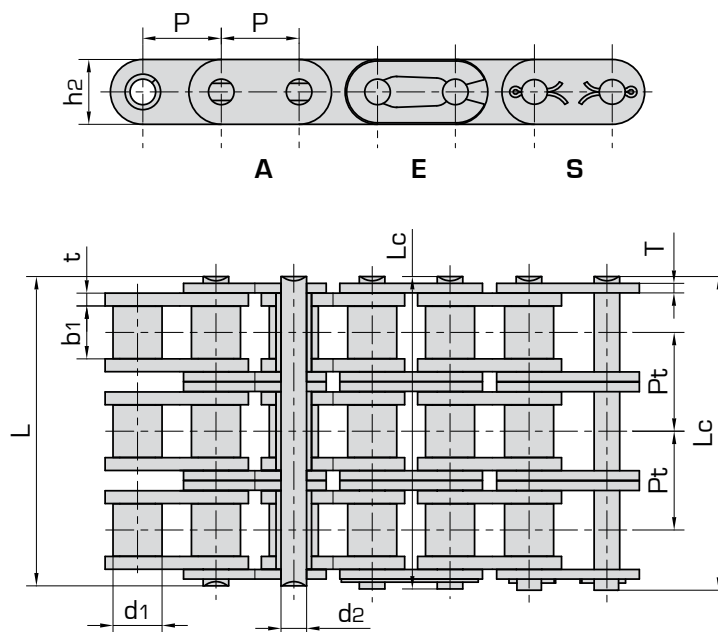
Donghua Straight Side Plate Roller Chains are built for conveying applications. The load capacity per Donghua Chain is exactly known; please ask our engineering department for any calculation examples. Donghua Straight Side Plate Roller Chains can be delivered in Stainless Steel 304 and 316, Zinc plated, Nickel plated, DR or ZinTek Coating and Self Lubricating versions. All Donghua roller chains are: Pre-loaded, Fatigue resistant and Wear resistant. Pre-lubricated is possible on request. By default these stainless steel roller chains are not lubricated! Donghua simplex, duplex and triplex roller chains are manufactured according to ISO 606 DIN8187, standard pre-loaded, pre-lubrication on request, do have seamless rollers and are marked with production batch code number for complete traceability. All Donghua roller chains are sealed in plastic bags and packed in cardboard boxes with clear ISO 606 DIN descriptions and safety instructions. Standard packaging size is 5 meter box, reels are available on request. Cut to length service is available on request. Several test certificates like breaking load, length tolerance and material analyses are possible and available on request. Rollers chains which are needed for 'run as pairs' applications can be matched as pairs on request. DIN, 1/2DIN and 1/3DIN length tolerance are possible, please ask us for a quotation. For high temperature, low temperature, food application or special environments different kind of special lubricants are available. Please ask our sales team for any special needs. For drive chain calculation and right dimension check, please contact our engineering department, also see drive chain calculation data sheet on page 301. By filling this data sheet and sending this to our engineering department you will receive a detailed drive chain calculation including life time expectation. Sprockets are available for all roller chains, with pilot bore, fixed bore, keyway, setscrew or bearing bore with grooves. Standard toothing, hardened toothing or special toothing are possible with pilot bore, fixed bore or taper bush. Chain tools, tensioners and chain lubricants please see page 302-310.

Short pitch precision roller chains (B series)

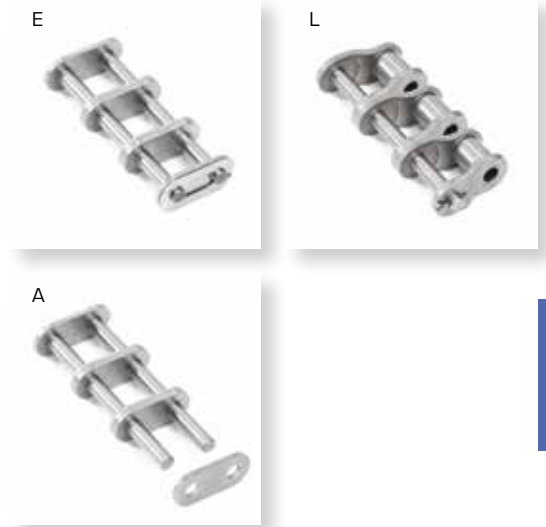
Stainless steel AISI304 (1.4301) with straight side plates

Triplex roller chains

| Part nr. | DIN/ISO 606 Chain no. | Pitch | Roller diameter | Width between inner plates | Pin diameter | Pin length | Inner plate depth | Plate thickness | Transverse pitch |
|-------------|-----------------------|--------|-----------------|----------------------------|--------------|------------|-------------------|-----------------|------------------|
| | | P | d1 max | b1 min | d2 max | L max | Lc max | h2 max | T max |
| | | mm | mm | mm | mm | mm | mm | mm | mm |
| 12006B-3SS | C06B-3SS | 9,525 | 6,35 | 5,72 | 3,28 | 33,5 | 34,6 | 8,20 | 1,30 |
| 120C08B-3SS | C08B-3SS | 12,700 | 8,51 | 7,75 | 4,45 | 45,1 | 46,1 | 11,80 | 1,60 |
| 120C10B-3SS | C10B-3SS | 15,875 | 10,16 | 9,65 | 5,08 | 52,7 | 54,1 | 14,70 | 1,70 |
| 120C12B-3SS | C12B-3SS | 19,050 | 12,07 | 11,68 | 5,72 | 61,5 | 63,1 | 16,00 | 1,85 |
| 120C16B-3SS | C16B-3SS | 25,400 | 15,88 | 17,02 | 8,28 | 99,8 | 101,2 | 21,00 | 4,15/3,1 |
| 120C20B-3SS | C20B-3SS | 31,750 | 19,05 | 19,56 | 10,19 | 114,2 | 117,9 | 26,40 | 4,50/3,5 |
| 120C24B-3SS | C24B-3SS | 38,100 | 25,40 | 25,40 | 14,63 | 150,1 | 154,6 | 33,20 | 6,00/4,8 |
| 120C28B-3SS | C28B-3SS | 44,450 | 27,94 | 30,99 | 15,90 | 184,2 | 188,7 | 36,70 | 7,50/6,0 |
| 120C32B-3SS | C32B-3SS | 50,800 | 29,21 | 30,99 | 17,81 | 183,2 | 188,2 | 42,00 | 7,00/6,0 |



| Ultimate tensile strength | Average tensile strength | Weight per meter | Available chain parts | | | | |
|---------------------------|--------------------------|------------------|-----------------------|---|---|---|---|
| Q min | Q0 | q | E | S | L | C | A |
| kN/lbf | kN | kg/m | | | | | |
| 18,9/4248 | | 1,16 | X | | X | | X |
| 32,5/7306 | | 2,03 | X | X | X | | X |
| 39,0/8767 | | 2,77 | X | X | X | | X |
| 49,5/11128 | | 3,46 | X | X | X | | X |
| 108,0/24279 | | 8,13 | X | X | X | | X |
| 160,0/35969 | | 10,82 | | X | X | | X |
| 282,0/63396 | | 20,10 | | X | X | | X |
| 350,8/78862 | | 24,92 | | X | X | | X |
| 408,0/91722 | | 31,56 | | X | X | | X |



Donghua Straight Side Plate Roller Chains are built for conveying applications. The load capacity per Donghua Chain is exactly known; please ask our engineering department for any calculation examples. Donghua Straight Side Plate Roller Chains can be delivered in Stainless Steel 304 and 316, Zinc plated, Nickel plated, DR or ZinTek Coating and Self Lubricating versions. All Donghua roller chains are: Pre-loaded, Fatigue resistant and Wear resistant. Pre-lubricated is possible on request. By default these stainless steel roller chains are not lubricated! Donghua simplex, duplex and triplex roller chains are manufactured according to ISO 606 DIN8187, standard pre-loaded, pre-lubrication on request, do have seamless rollers and are marked with production batch code number for complete traceability. All Donghua roller chains are sealed in plastic bags and packed in cardboard boxes with clear ISO 606 DIN descriptions and safety instructions. Standard packaging size is 5 meter box, reels are available on request. Cut to length service is available on request. Several test certificates like breaking load, length tolerance and material analyses are possible and available on request. Roller chains which are needed for 'run as pairs' applications can be matched as pairs on request. DIN, 1/2DIN and 1/3DIN length tolerance are possible, please ask us for a quotation. For high temperature, low temperature, food application or special environments different kind of special lubricants are available. Please ask our sales team for any special needs. For drive chain calculation and right dimension check, please contact our engineering department, also see drive chain calculation data sheet on page 301. By filling this data sheet and sending this to our engineering department you will receive a detailed drive chain calculation including life time expectation. Sprockets are available for all roller chains, with pilot bore, fixed bore, keyway, setscrew or bearing bore with grooves. Standard toothing, hardened toothing or special toothing are possible with pilot bore, fixed bore or taper bush. Chain tools, tensioners and chain lubricants please see page 302-310.





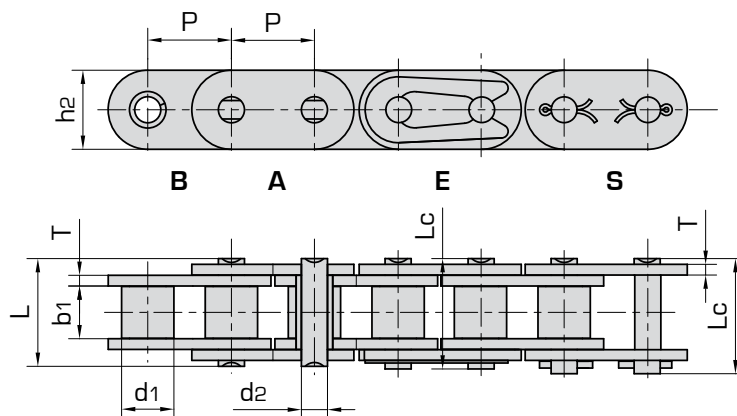
Short pitch precision roller chains (A series)

Stainless steel AISI304(1.4301) With straight side plates

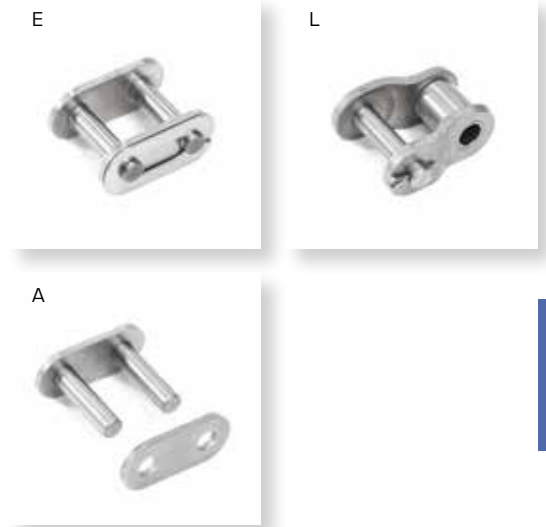
Simplex roller chains & bush chains

| Part nr. | DIN/ISO 606 Chain no. | ANSI Chain no. | Pitch | Roller diameter | Width between inner plates | Pin diameter | Pin length | | Inner plate depth | Plate thickness |
|-------------|-----------------------|----------------|--------|-----------------|----------------------------|--------------|------------|--------|-------------------|-----------------|
| | | | P | d1 max | b1 min | d2 max | L max | Lc max | h2 max | T max |
| | | | mm | mm | mm | mm | mm | mm | mm | mm |
| 120C35-1SS | *C06C-1SS | *C35SS | 9,525 | 5,08 | 4,77 | 3,58 | 12,40 | 13,17 | 9,00 | 1,30 |
| 120C40-1SS | C08A-1SS | C40SS | 12,700 | 7,95 | 7,85 | 3,96 | 16,60 | 17,80 | 12,00 | 1,50 |
| 120C50-1SS | C10A-1SS | C50SS | 15,875 | 10,16 | 9,40 | 5,08 | 20,70 | 22,20 | 15,09 | 2,03 |
| 120C60-1SS | C12A-1SS | C60SS | 19,050 | 11,91 | 12,57 | 5,94 | 25,90 | 27,70 | 18,00 | 2,42 |
| 120C80-1SS | C16A-1SS | C80SS | 25,400 | 15,88 | 15,75 | 7,92 | 32,70 | 35,00 | 24,00 | 3,25 |
| 120C100-1SS | C20A-1SS | C100SS | 31,750 | 19,05 | 18,90 | 9,53 | 40,40 | 44,70 | 30,00 | 4,00 |
| 120C120-1SS | C24A-1SS | C120SS | 38,100 | 22,23 | 25,22 | 11,10 | 50,30 | 54,30 | 35,70 | 4,80 |
| 120C140-1SS | C28A-1SS | C140SS | 44,450 | 25,40 | 25,22 | 12,70 | 54,40 | 59,00 | 41,00 | 5,60 |
| 120C160-1SS | C32A-1SS | C160SS | 50,800 | 28,58 | 31,55 | 14,27 | 64,80 | 69,60 | 47,80 | 6,40 |

* Bush chain: d1 in the table indicates the external diameter of the bush.



| Ultimate tensile strength | Average tensile strength | Weight per meter | Available chain parts | | | | | |
|---------------------------|--------------------------|------------------|-----------------------|---|---|---|---|---|
| Q min | Q0 | q | E | S | L | C | A | B |
| kN/lbf | kN | kg/m | | | | | | |
| 7,90/1795 | | 0,33 | X | | X | | X | |
| 14,10/3205 | | 0,62 | X | | X | | X | |
| 22,20/5045 | | 1,02 | X | | X | | X | |
| 31,80/7227 | | 1,50 | X | | X | | X | |
| 56,70/12886 | | 2,60 | X | | X | | X | |
| 88,50/20114 | | 3,91 | | X | X | | X | |
| 127,00/28864 | | 5,62 | | X | X | | X | |
| 172,40/39182 | | 7,50 | | X | X | | X | |
| 226,80/51545 | | 10,10 | | X | X | | X | |



Solution range



Donghua Straight Side Plate Roller Chains are built for conveying applications. The load capacity per Donghua Chain is exactly known; please ask our engineering department for any calculation examples. Donghua Straight Side Plate Roller Chains can be delivered in Stainless Steel 304 and 316, Zinc plated, Nickel plated, DR or ZinTek Coating and Self-Lubricating versions. All Donghua roller chains are: Pre-loaded, Fatigue resistant and Wear resistant. Pre-lubricated is possible on request. By default these stainless steel roller chains are not lubricated! Donghua simplex, duplex and triplex roller chains are manufactured according to ISO 606 DIN8188, standard pre-loaded, pre-lubrication on request, do have seamless rollers and are marked with production batch code number for complete traceability. All Donghua roller chains are sealed in plastic bags and packed in cardboard boxes with clear ISO 606 DIN descriptions and safety instructions. Standard packaging size is 5 meter box, reels are available on request. Cut to length service is available on request. Several test certificates like breaking load, length tolerance and material analyses are possible and available on request. Rollers chains which are needed for 'run as pairs' applications can be matched as pairs on request. DIN, 1/2DIN and 1/3DIN length tolerance are possible, please ask us for a quotation. For high temperature, low temperature, food application or special environments different kind of special lubricants are available. Please ask our sales team for any special needs. For drive chain calculation and right dimension check, please contact our engineering department, also see drive chain calculation data sheet on page 301. By filling this data sheet and sending this to our engineering department you will receive a detailed drive chain calculation including life time expectation. Sprockets are available for all roller chains, with pilot bore, fixed bore, keyway, setscrew or bearing bore with grooves. Standard toothing, hardened toothing or special toothing are possible with pilot bore, fixed bore or taper bush. Chain tools, tensioners and chain lubricants please see page 302-310.

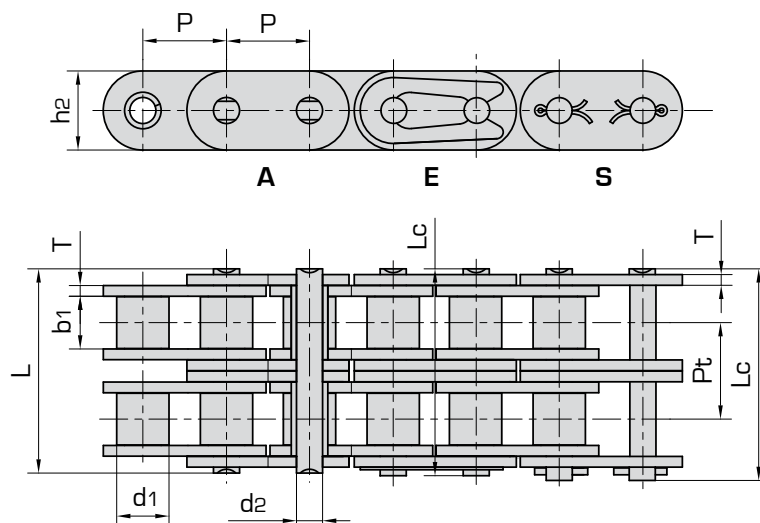
Short pitch precision roller chains (A series)

Stainless steel AISI304(1.4301) With straight side plates

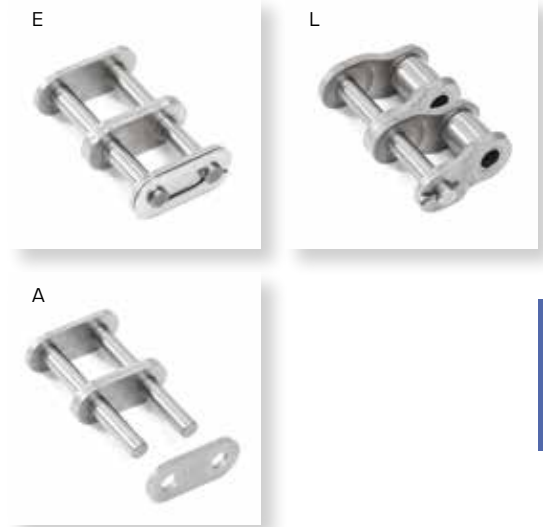
Duplex roller chains & bush chains

| Part nr. | DIN/ISO 606 Chain no. | ANSI Chain no. | Pitch | Roller diameter | Width between inner plates | Pin diameter | Pin length | | Inner plate depth | Plate thickness | Transverse pitch |
|-------------|-----------------------|----------------|--------|-----------------|----------------------------|--------------|------------|--------|-------------------|-----------------|------------------|
| | | | P | d1 max | b1 min | d2 max | L max | Lc max | h2 max | T max | |
| | | | mm | mm | mm | mm | mm | mm | mm | mm | |
| 120C35-2SS | *C06C-2SS | *C35-2SS | 9,525 | 5,08 | 4,77 | 3,58 | 22,5 | 23,3 | 9,00 | 1,30 | 10,13 |
| 120C40-2SS | C08A-2SS | C40-2SS | 12,700 | 7,95 | 7,85 | 3,96 | 31,0 | 32,2 | 12,00 | 1,50 | 14,38 |
| 120C50-2SS | C10A-2SS | C50-2SS | 15,875 | 10,16 | 9,40 | 5,08 | 38,9 | 40,4 | 15,09 | 2,03 | 18,11 |
| 120C60-2SS | C12A-2SS | C60-2SS | 19,050 | 11,91 | 12,57 | 5,94 | 48,8 | 50,5 | 18,00 | 2,42 | 22,78 |
| 120C80-2SS | C16A-2SS | C80-2SS | 25,400 | 15,88 | 15,75 | 7,92 | 62,7 | 64,3 | 24,00 | 3,25 | 29,29 |
| 120C100-2SS | C20A-2SS | C100-2SS | 31,750 | 19,05 | 18,90 | 9,53 | 76,4 | 80,5 | 30,00 | 4,00 | 35,76 |
| 120C120-2SS | C24A-2SS | C120-2SS | 38,100 | 22,23 | 25,22 | 11,10 | 95,8 | 99,7 | 35,70 | 4,80 | 45,44 |
| 120C140-2SS | C28A-2SS | C140-2SS | 44,450 | 25,40 | 25,22 | 12,70 | 103,3 | 107,9 | 41,00 | 5,60 | 48,87 |
| 120C160-2SS | C32A-2SS | C160-2SS | 50,800 | 28,58 | 31,55 | 14,27 | 123,3 | 128,1 | 47,80 | 6,40 | 58,55 |

* Bush chain: d1 in the table indicates the external diameter of the bush.



| Ultimate tensile strength | Average tensile strength | Weight per meter | Available chain parts | | | | |
|---------------------------|--------------------------|------------------|-----------------------|---|---|---|---|
| Q min | Q0 | q | E | S | L | C | A |
| kN/lbf | kN | kg/m | | | | | |
| 15,80/3591 | | 0,63 | X | | | | X |
| 28,20/6409 | | 1,12 | X | | X | | X |
| 44,40/10091 | | 2,00 | X | | X | | X |
| 63,60/14455 | | 2,92 | X | | X | | X |
| 113,40/25773 | | 5,15 | X | | X | | X |
| 177,00/40227 | | 7,80 | | X | X | | X |
| 254,00/57727 | | 11,70 | | X | X | | X |
| 344,80/78364 | | 15,14 | | X | X | | X |
| 453,60/103091 | | 20,14 | | X | X | | X |



Donghua Straight Side Plate Roller Chains are built for conveying applications. The load capacity per Donghua Chain is exactly known; please ask our engineering department for any calculation examples. Donghua Straight Side Plate Roller Chains can be delivered in Stainless Steel 304 and 316, Zinc plated, Nickel plated, DR or ZinTek Coating and Self-Lubricating versions. All Donghua roller chains are: Pre-loaded, Fatigue resistant and Wear resistant. Pre-lubricated is possible on request. By default these stainless steel roller chains are not lubricated! Donghua simplex, duplex and triplex roller chains are manufactured according to ISO 606 DIN8188, standard pre-loaded, pre-lubrication on request, do have seamless rollers and are marked with production batch code number for complete traceability. All Donghua roller chains are sealed in plastic bags and packed in cardboard boxes with clear ISO 606 DIN descriptions and safety instructions. Standard packaging size is 5 meter box, reels are available on request. Cut to length service is available on request. Several test certificates like breaking load, length tolerance and material analyses are possible and available on request. Rollers chains which are needed for 'run as pairs' applications can be matched as pairs on request. DIN, 1/2DIN and 1/3DIN length tolerance are possible, please ask us for a quotation. For high temperature, low temperature, food application or special environments different kind of special lubricants are available. Please ask our sales team for any special needs. For drive chain calculation and right dimension check, please contact our engineering department, also see drive chain calculation data sheet on page 301. By filling this data sheet and sending this to our engineering department you will receive a detailed drive chain calculation including life time expectation. Sprockets are available for all roller chains, with pilot bore, fixed bore, keyway, setscrew or bearing bore with grooves. Standard toothing, hardened toothing or special toothing are possible with pilot bore, fixed bore or taper bush. Chain tools, tensioners and chain lubricants please see page 302-310.

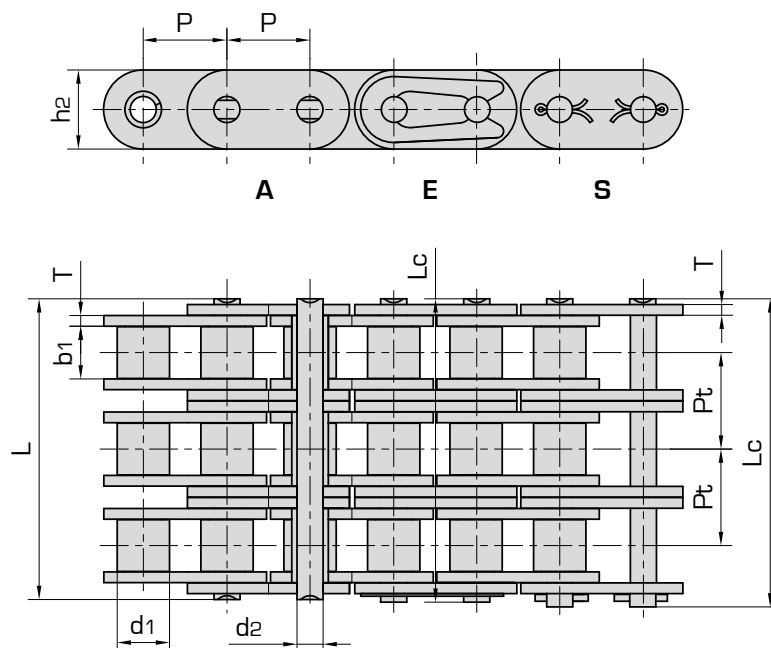
Short pitch precision roller chains (A series)

Stainless steel AISI304(1.4301) With straight side plates

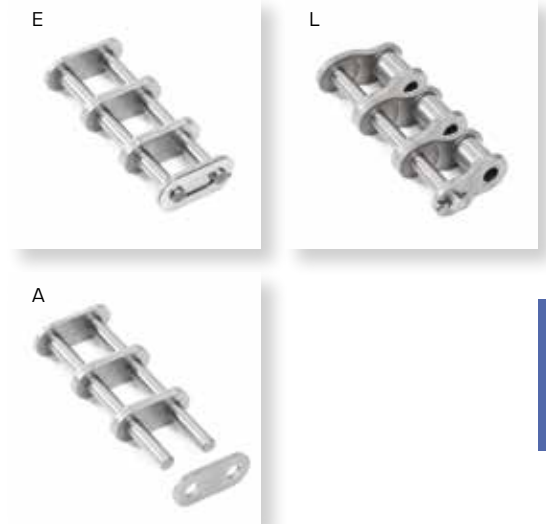
Triplex roller chains & bush chains

| Part nr. | DIN/ISO 606 Chain no. | ANSI Chain no. | Pitch | Roller diameter | Width between inner plates | Pin diameter | Pin length | | Inner plate depth | Plate thickness | Transverse pitch |
|-------------|-----------------------|----------------|--------|-----------------|----------------------------|--------------|------------|--------|-------------------|-----------------|------------------|
| | | | | | | | L max | Lc max | | | |
| | | | P | d1 max | b1 min | d2 max | L max | Lc max | h2 max | T max | |
| | | | mm | mm | mm | mm | mm | mm | mm | mm | mm |
| 120C35-3SS | *C06C-3SS | *C35-3SS | 9,525 | 5,08 | 4,77 | 3,58 | 32,7 | 33,5 | 9,00 | 1,30 | 10,13 |
| 120C40-3SS | C08A-3SS | C40-3SS | 12,700 | 7,95 | 7,85 | 3,96 | 45,4 | 46,6 | 12,00 | 1,50 | 14,38 |
| 120C50-3SS | C10A-3SS | C50-3SS | 15,875 | 10,16 | 9,40 | 5,08 | 57,0 | 58,5 | 15,09 | 2,03 | 18,11 |
| 120C60-3SS | C12A-3SS | C60-3SS | 19,050 | 11,91 | 12,57 | 5,94 | 71,5 | 73,3 | 18,00 | 2,42 | 22,78 |
| 120C80-3SS | C16A-3SS | C80-3SS | 25,400 | 15,88 | 15,75 | 7,92 | 91,7 | 93,6 | 24,00 | 3,25 | 29,29 |
| 120C100-3SS | C20A-3SS | C100-3SS | 31,750 | 19,05 | 18,90 | 9,53 | 112,2 | 116,3 | 30,00 | 4,00 | 35,76 |
| 120C120-3SS | C24A-3SS | C120-3SS | 38,100 | 22,23 | 25,22 | 11,10 | 141,4 | 145,2 | 35,70 | 4,80 | 45,44 |
| 120C140-3SS | C28A-3SS | C140-3SS | 44,450 | 25,40 | 25,22 | 12,70 | 152,2 | 156,8 | 41,00 | 5,60 | 48,87 |
| 120C160-3SS | C32A-3SS | C160-3SS | 50,800 | 28,58 | 31,55 | 14,27 | 181,8 | 186,6 | 47,80 | 6,40 | 58,55 |

* Bush chain: d1 in the table indicates the external diameter of the bush.



| Ultimate tensile strength | Average tensile strength | Weight per meter | Available chain parts | | | | |
|---------------------------|--------------------------|------------------|-----------------------|---|---|---|---|
| Q min | Q0 | q | E | S | L | C | A |
| kN/lbf | kN | kg/m | | | | | |
| 23,7/5386 | | 1,05 | X | | | | X |
| 42,3/9614 | | 1,90 | X | | X | | X |
| 66,6/15136 | | 3,09 | X | | X | | X |
| 95,4/21682 | | 4,54 | X | | X | | X |
| 170,1/38659 | | 7,89 | X | | X | | X |
| 265,5/60341 | | 11,77 | | X | X | | X |
| 381,0/86591 | | 17,53 | | X | X | | X |
| 517,2/117545 | | 22,20 | | X | X | | X |
| 680,4/154636 | | 30,02 | | X | X | | X |



Donghua Straight Side Plate Roller Chains are built for conveying applications. The load capacity per Donghua Chain is exactly known; please ask our engineering department for any calculation examples. Donghua Straight Side Plate Roller Chains can be delivered in Stainless Steel 304 and 316, Zinc plated, Nickel plated, DR or ZinTek Coating and Self-Lubricating versions. All Donghua roller chains are: Pre-loaded, Fatigue resistant and Wear resistant. Pre-lubricated is possible on request. By default these stainless steel roller chains are not lubricated! Donghua simplex, duplex and triplex roller chains are manufactured according to ISO 606 DIN8188, standard pre-loaded, pre-lubrication on request, do have seamless rollers and are marked with production batch code number for complete traceability. All Donghua roller chains are sealed in plastic bags and packed in cardboard boxes with clear ISO 606 DIN descriptions and safety instructions. Standard packaging size is 5 meter box, reels are available on request. Cut to length service is available on request. Several test certificates like breaking load, length tolerance and material analyses are possible and available on request. Rollers chains which are needed for 'run as pairs' applications can be matched as pairs on request. DIN, 1/2DIN and 1/3DIN length tolerance are possible, please ask us for a quotation. For high temperature, low temperature, food application or special environments different kind of special lubricants are available. Please ask our sales team for any special needs. For drive chain calculation and right dimension check, please contact our engineering department, also see drive chain calculation data sheet on page 301. By filling this data sheet and sending this to our engineering department you will receive a detailed drive chain calculation including life time expectation. Sprockets are available for all roller chains, with pilot bore, fixed bore, keyway, setscrew or bearing bore with grooves. Standard toothing, hardened toothing or special toothing are possible with pilot bore, fixed bore or taper bush. Chain tools, tensioners and chain lubricants please see page 302-310.

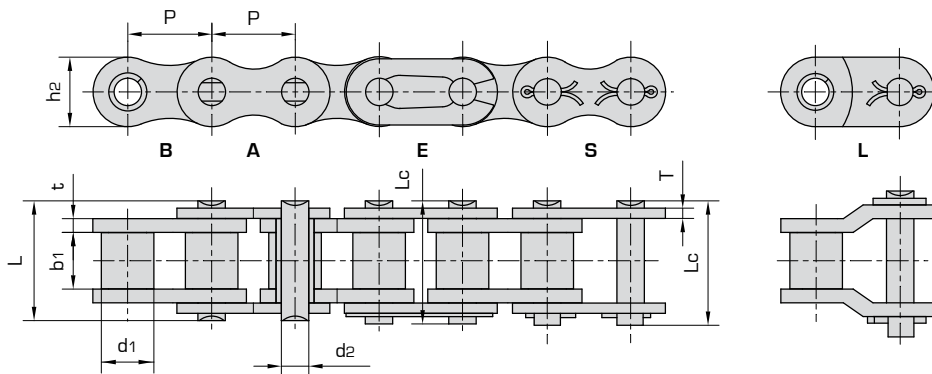
Short pitch precision roller chains (B series)

Stainless steel AISI304 (1.4301) SLR (Self Lubricating Roller Chain) Dry-Tec

Simplex roller chains

| Part nr. | DIN/ISO 606 Chain no. | Pitch | Roller diameter | Width between inner plates | Pin diameter | Pin length | Inner plate depth | Plate thickness | |
|-----------------------|-----------------------|--------|-----------------|----------------------------|--------------|------------|-------------------|-----------------|----------|
| | | P | d1 max | b1 min | d2 max | L max | Lc max | h2 max | T max |
| | | mm | mm | mm | mm | mm | mm | mm | mm |
| 12108B-1SS-SLR | 08B-1SS-SLR | 12,700 | 8,51 | 7,75 | 4,45 | 16,70 | 18,2 | 11,80 | 1,60 |
| 12110B-1SS-SLR | 10B-1SS-SLR | 15,875 | 10,16 | 9,65 | 5,08 | 19,50 | 20,9 | 14,70 | 1,70 |
| 12112B-1SS-SLR | 12B-1SS-SLR | 19,050 | 12,07 | 11,68 | 5,72 | 22,50 | 24,2 | 16,00 | 1,85 |
| 12116B-1SS-SLR | 16B-1SS-SLR | 25,400 | 15,88 | 17,02 | 8,28 | 36,10 | 37,4 | 21,00 | 4,15/3,1 |
| 12120B-1SS-SLR | 20B-1SS-SLR | 31,750 | 19,05 | 19,56 | 10,19 | 41,30 | 45,0 | 26,40 | 4,50/3,5 |
| 12124B-1SS-SLR | 24B-1SS-SLR | 38,100 | 25,40 | 25,40 | 14,63 | 53,40 | 57,8 | 33,20 | 6,00/4,8 |

Engineered polymer slide bearings takes care for the self lubricating effect. Depending on the environmental circumstances wearlife improvements compared to standard SS of +50% is possible!



| Ultimate tensile strength | Average tensile strength | Weight per meter | Available chain parts | | | | | |
|---------------------------|--------------------------|------------------|-----------------------|---|---|---|---|---|
| Q min | Q0 | q | E | S | L | C | A | B |
| kN/lbf | kN | kg/m | | | | | | |
| 12,0/2727 | | 0,70 | X | X | X | | X | X |
| 14,5/3295 | | 0,94 | X | X | X | | X | X |
| 18,5/4205 | | 1,16 | X | X | X | | X | X |
| 40,0/9091 | | 2,73 | X | X | X | | X | X |
| 59,0/13409 | | 3,73 | X | X | X | | X | X |
| 104,0/25454 | | 7,20 | | X | X | | X | X |



These Donghua Stainless Roller Chains have an engineered plastic slide bearing between pin and bush for a self-lubricating effect. Depending on the environmental circumstances, wear life improvements compared to standard SS of +50% is possible! All Donghua roller chains are: Pre-loaded, Fatigue resistant and Wear resistant. This SS-SLR roller chain is self-lubricating. Donghua simplex, duplex and triplex roller chains are manufactured according to ISO 606 DIN8188, standard pre-loaded, pre-lubrication on request, do have seamless rollers and are marked with production batch code number for complete traceability. All Donghua roller chains are sealed in plastic bags and packed in cardboard boxes with clear ISO 606 DIN descriptions and safety instructions. Standard packaging size is 5 meter box, reels are available on request. Cut to length service is available on request. Several test certificates like breaking load, length tolerance and material analyses are possible and available on request. Rollers chains which are needed for 'run as pairs' applications can be matched as pairs on request. DIN, 1/2DIN and 1/3DIN length tolerance are possible, please ask us for a quotation. For high temperature, low temperature, food application or special environments different kind of special lubricants are available. Please ask our sales team for any special needs. For drive chain calculation and right dimension check, please contact our engineering department, also see drive chain calculation data sheet on page 301. By filling this data sheet and sending this to our engineering department you will receive a detailed drive chain calculation including life time expectation. Sprockets are available for all roller chains, with pilot bore, fixed bore, keyway, setscrew or bearing bore with grooves. Standard toothing, hardened toothing or special toothing are possible with pilot bore, fixed bore or taper bush. Chain tools, tensioners and chain lubricants please see page 302-310.

Solution Range

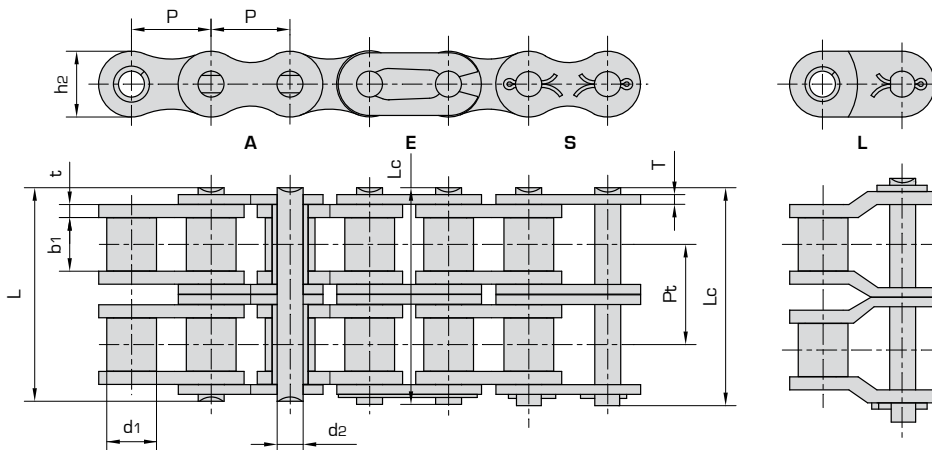
Short pitch precision roller chains (B series)

Stainless steel AISI304 (1.4301) SLR (Self Lubricating Roller Chain) Dry-Tec

Duplex roller chains

| Part nr. | DIN/ISO 606 Chain no. | Pitch | Roller diameter | Width between inner plates | Pin diameter | Pin length | Inner plate depth | Plate thickness | Transverse pitch | |
|-----------------------|-----------------------|--------|-----------------|----------------------------|--------------|------------|-------------------|-----------------|------------------|-------|
| | | P | d1 max | b1 min | d2 max | L max | Lc max | h2 max | T max | |
| | | mm | mm | mm | mm | mm | mm | mm | mm | |
| 12108B-2SS-SLR | 08B-2SS-SLR | 12,700 | 8,51 | 7,75 | 4,45 | 31,0 | 32,2 | 11,80 | 1,60 | 13,92 |
| 12110B-2SS-SLR | 10B-2SS-SLR | 15,875 | 10,16 | 9,65 | 5,08 | 36,1 | 37,5 | 14,70 | 1,70 | 16,59 |
| 12112B-2SS-SLR | 12B-2SS-SLR | 19,050 | 12,07 | 11,68 | 5,72 | 42,0 | 43,6 | 16,00 | 1,85 | 19,46 |
| 12116B-2SS-SLR | 16B-2SS-SLR | 25,400 | 15,88 | 17,02 | 8,28 | 68,0 | 69,3 | 21,00 | 4,15/3,1 | 31,88 |
| 12120B-2SS-SLR | 20B-2SS-SLR | 31,750 | 19,05 | 19,56 | 10,19 | 77,8 | 81,5 | 26,40 | 4,50/3,5 | 36,45 |
| 12124B-2SS-SLR | 24B-2SS-SLR | 38,100 | 25,40 | 25,40 | 14,63 | 101,7 | 106,2 | 33,20 | 6,00/4,8 | 48,36 |

Engineered polymer slide bearings takes care for the self lubricating effect. Depending on the environmental circumstances wearlife improvements compared to standard SS of +50% is possible!



| Ultimate tensile strength | Average tensile strength | Weight per meter | Available chain parts | | | | |
|---------------------------|--------------------------|------------------|-----------------------|---|---|---|---|
| Q min | Q0 | q | E | S | L | C | A |
| kN/lbf | kN | kg/m | | | | | |
| 20,40/4586 | | 1,34 | X | X | X | | X |
| 24,65/5541 | | 1,84 | X | X | X | | X |
| 31,45/7070 | | 2,31 | X | X | X | | X |
| 68,0/15287 | | 5,42 | X | X | X | | X |
| 100,0/22480 | | 7,20 | | X | X | | X |
| 176,8/39746 | | 13,40 | | X | X | | X |



Solution range



These Donghua Stainless Roller Chains have an engineered plastic slide bearing between pin and bush for a self-lubricating effect. Depending on the environmental circumstances, wear life improvements compared to standard SS of +50% is possible! All Donghua roller chains are: Pre-loaded, Fatigue resistant and Wear resistant. This SS-SLR roller chain is self-lubricating. Donghua simplex, duplex and triplex roller chains are manufactured according to ISO 606 DIN8188, standard pre-loaded, pre-lubrication on request, do have seamless rollers and are marked with production batch code number for complete traceability. All Donghua roller chains are sealed in plastic bags and packed in cardboard boxes with clear ISO 606 DIN descriptions and safety instructions. Standard packaging size is 5 meter box, reels are available on request. Cut to length service is available on request. Several test certificates like breaking load, length tolerance and material analyses are possible and available on request. Rollers chains which are needed for 'run as pairs' applications can be matched as pairs on request. DIN, 1/2DIN and 1/3DIN length tolerance are possible, please ask us for a quotation. For high temperature, low temperature, food application or special environments different kind of special lubricants are available. Please ask our sales team for any special needs. For drive chain calculation and right dimension check, please contact our engineering department, also see drive chain calculation data sheet on page 301. By filling this data sheet and sending this to our engineering department you will receive a detailed drive chain calculation including life time expectation. Sprockets are available for all roller chains, with pilot bore, fixed bore, keyway, setscrew or bearing bore with grooves. Standard toothing, hardened toothing or special toothing are possible with pilot bore, fixed bore or taper bush. Chain tools, tensioners and chain lubricants please see page 302-310.

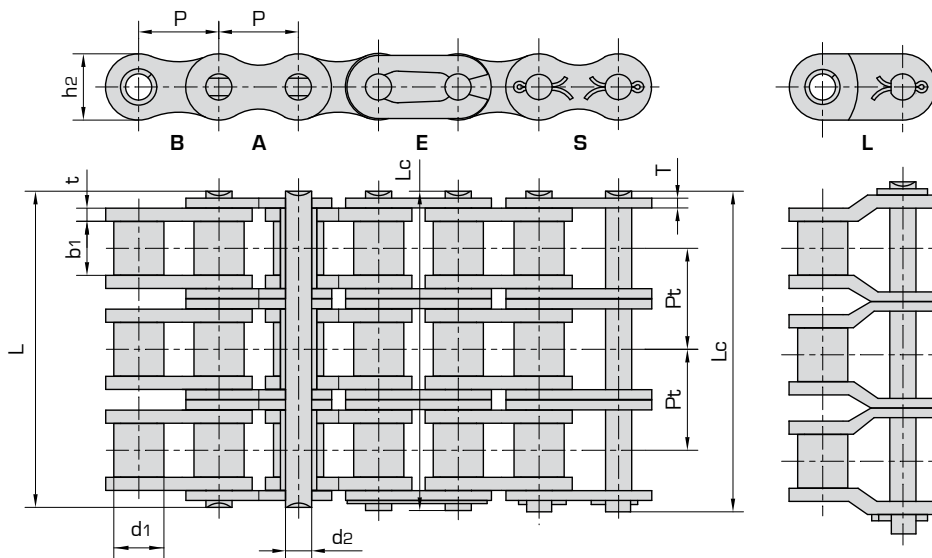
Short pitch precision roller chains (B series)

Stainless steel AISI304 (1.4301) SLR (Self Lubricating Roller Chain)

Triplex roller chains

| Part nr. | DIN/ISO 606 Chain no. | Pitch | Roller diameter | Width between inner plates | Pin diameter | Pin length | Inner plate depth | Plate thickness | Transverse pitch | |
|-----------------------|-----------------------|--------|-----------------|----------------------------|--------------|------------|-------------------|-----------------|------------------|-------|
| | | P | d1 max | b1 min | d2 max | L max | Lc max | h2 max | T max | |
| | | mm | mm | mm | mm | mm | mm | mm | mm | |
| 12108B-3SS-SLR | 08B-3SS-SLR | 12,700 | 8,51 | 7,75 | 4,45 | 45,1 | 46,1 | 11,80 | 1,60 | 13,92 |
| 12110B-3SS-SLR | 10B-3SS-SLR | 15,875 | 10,16 | 9,65 | 5,08 | 52,7 | 54,1 | 14,70 | 1,70 | 16,59 |
| 12112B-3SS-SLR | 12B-3SS-SLR | 19,050 | 12,07 | 11,68 | 5,72 | 61,5 | 63,1 | 16,00 | 1,85 | 19,46 |
| 12116B-3SS-SLR | 16B-3SS-SLR | 25,400 | 15,88 | 17,02 | 8,28 | 99,8 | 101,2 | 21,00 | 4,15/3,1 | 31,88 |
| 12120B-3SS-SLR | 20B-3SS-SLR | 31,750 | 19,05 | 19,56 | 10,19 | 114,2 | 117,9 | 26,40 | 4,50/3,5 | 36,45 |
| 12124B-3SS-SLR | 24B-3SS-SLR | 38,100 | 25,40 | 25,40 | 14,63 | 150,1 | 154,6 | 33,20 | 6,00/4,8 | 48,36 |

Engineered polymer slide bearings takes care for the self lubricating effect. Depending on the environmental circumstances wearlife improvements compared to standard SS of +50% is possible!



| Ultimate tensile strength | Average tensile strength | Weight per meter | Available chain parts | | | | |
|---------------------------|--------------------------|------------------|-----------------------|---|---|---|---|
| Q min | Q0 | q | E | S | L | C | A |
| kN/lbf | kN | kg/m | | | | | |
| 32,5/7306 | | 2,03 | X | X | X | | X |
| 39,0/8767 | | 2,77 | X | X | X | | X |
| 49,5/11128 | | 3,46 | X | X | X | | X |
| 108,0/24279 | | 8,13 | X | X | X | | X |
| 160,0/35969 | | 10,82 | | X | X | | X |
| 282,0/63396 | | 20,10 | | X | X | | X |



Solution Range



These Donghua Stainless Roller Chains have an engineered plastic slide bearing between pin and bush for a self-lubricating effect. Depending on the environmental circumstances, wear life improvements compared to standard SS of +50% is possible! All Donghua roller chains are: Pre-loaded, Fatigue resistant and Wear resistant. This SS-SLR roller chain is self-lubricating. Donghua simplex, duplex and triplex roller chains are manufactured according to ISO 606 DIN8188, standard pre-loaded, pre-lubrication on request, do have seamless rollers and are marked with production batch code number for complete traceability. All Donghua roller chains are sealed in plastic bags and packed in cardboard boxes with clear ISO 606 DIN descriptions and safety instructions. Standard packaging size is 5 meter box, reels are available on request. Cut to length service is available on request. Several test certificates like breaking load, length tolerance and material analyses are possible and available on request. Rollers chains which are needed for 'run as pairs' applications can be matched as pairs on request. DIN, 1/2DIN and 1/3DIN length tolerance are possible, please ask us for a quotation. For high temperature, low temperature, food application or special environments different kind of special lubricants are available. Please ask our sales team for any special needs. For drive chain calculation and right dimension check, please contact our engineering department, also see drive chain calculation data sheet on page 301. By filling this data sheet and sending this to our engineering department you will receive a detailed drive chain calculation including life time expectation. Sprockets are available for all roller chains, with pilot bore, fixed bore, keyway, setscrew or bearing bore with grooves. Standard toothing, hardened toothing or special toothing are possible with pilot bore, fixed bore or taper bush. Chain tools, tensioners and chain lubricants please see page 302-310.

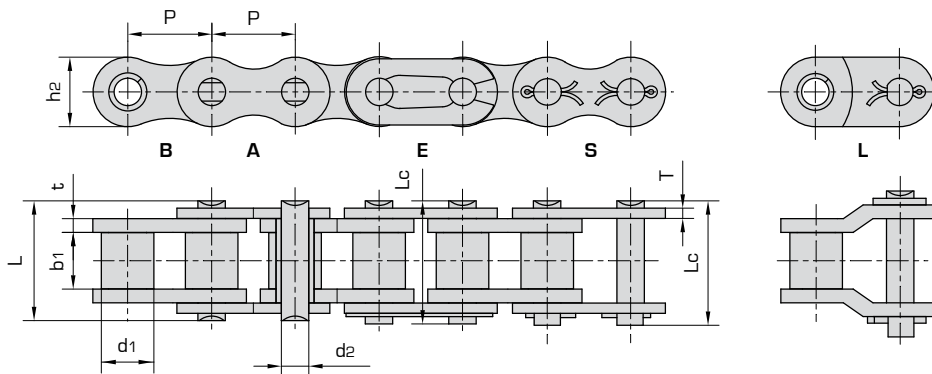
Short pitch precision roller chains (A series)

Stainless steel AISI304(1.4301) SLR (Self Lubricating Roller Chain) Dry-Tec

Simplex roller chains & bush chains

| Part nr. | DIN/ISO 606 Chain no. | ANSI Chain no. | Pitch | Roller diameter | Width between inner plates | Pin diameter | Pin length | | Inner plate depth | Plate thickness |
|----------------|-----------------------|----------------|--------|-----------------|----------------------------|--------------|------------|--------|-------------------|-----------------|
| | | | | | | | L max | Lc max | | |
| | | | P | d1 max | b1 min | d2 max | L max | Lc max | h2 max | T max |
| | | | mm | mm | mm | mm | mm | mm | mm | mm |
| 12140-1SS-SLR | 08A-1SS-SLR | 40SS-SLR | 12,700 | 7,95 | 7,85 | 3,96 | 16,60 | 17,80 | 12,00 | 1,50 |
| 12150-1SS-SLR | 10A-1SS-SLR | 50SS-SLR | 15,875 | 10,16 | 9,40 | 5,08 | 20,70 | 22,20 | 15,09 | 2,03 |
| 12160-1SS-SLR | 12A-1SS-SLR | 60SS-SLR | 19,050 | 11,91 | 12,57 | 5,94 | 25,90 | 27,70 | 18,00 | 2,42 |
| 12180-1SS-SLR | 16A-1SS-SLR | 80SS-SLR | 25,400 | 15,88 | 15,75 | 7,92 | 32,70 | 35,00 | 24,00 | 3,25 |
| 121100-1SS-SLR | 20A-1SS-SLR | 100SS-SLR | 31,750 | 19,05 | 18,90 | 9,53 | 40,40 | 44,70 | 30,00 | 4,00 |
| 121120-1SS-SLR | 24A-1SS-SLR | 120SS-SLR | 38,100 | 22,23 | 25,22 | 11,10 | 50,30 | 54,30 | 35,70 | 4,80 |

* Bush chain: d1 in the table indicates the external diameter of the bush.



| Ultimate tensile strength | Average tensile strength | Weight per meter | Available chain parts | | | | | |
|---------------------------|--------------------------|------------------|-----------------------|---|---|---|---|---|
| Q min | Q0 | q | E | S | L | C | A | B |
| kN/lbf | kN | kg/m | | | | | | |
| 14,10/3205 | | 0,62 | X | | X | | X | |
| 22,20/5045 | | 1,02 | X | | X | | X | |
| 31,80/7227 | | 1,50 | X | | X | | X | |
| 56,70/12886 | | 2,60 | X | | X | | X | |
| 88,50/20114 | | 3,91 | | X | X | | X | |
| 127,00/28864 | | 5,62 | | X | X | | X | |



Solution range



These Donghua Stainless Roller Chains have an engineered plastic slide bearing between pin and bush for a self-lubricating effect. Depending on the environmental circumstances, wear life improvements compared to standard SS of +50% is possible! All Donghua roller chains are: Pre-loaded, Fatigue resistant and Wear resistant. This SS-SLR roller chain is self-lubricating. Donghua simplex, duplex and triplex roller chains are manufactured according to ISO 606 DIN8188, standard pre-loaded, pre-lubrication on request, do have seamless rollers and are marked with production batch code number for complete traceability. All Donghua roller chains are sealed in plastic bags and packed in cardboard boxes with clear ISO 606 DIN descriptions and safety instructions. Standard packaging size is 5 meter box, reels are available on request. Cut to length service is available on request. Several test certificates like breaking load, length tolerance and material analyses are possible and available on request. Rollers chains which are needed for 'run as pairs' applications can be matched as pairs on request. DIN, 1/2DIN and 1/3DIN length tolerance are possible, please ask us for a quotation. For high temperature, low temperature, food application or special environments different kind of special lubricants are available. Please ask our sales team for any special needs. For drive chain calculation and right dimension check, please contact our engineering department, also see drive chain calculation data sheet on page 301. By filling this data sheet and sending this to our engineering department you will receive a detailed drive chain calculation including life time expectation. Sprockets are available for all roller chains, with pilot bore, fixed bore, keyway, setscrew or bearing bore with grooves. Standard toothing, hardened toothing or special toothing are possible with pilot bore, fixed bore or taper bush. Chain tools, tensioners and chain lubricants please see page 302-310.

Short pitch precision roller chains (A series)

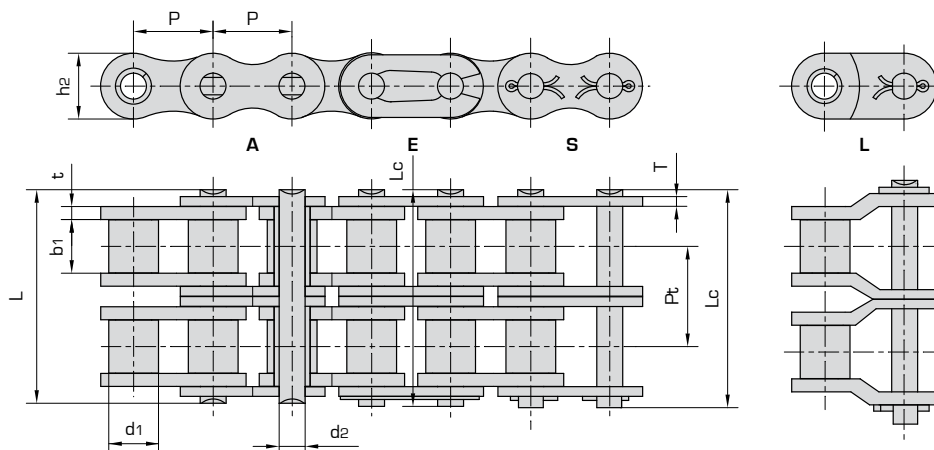
Stainless steel AISI304(1.4301) SLR (Self Lubricating Roller Chain) Dry-Tec

Duplex roller chains & bush chains

| Part nr. | DIN/ISO 606 Chain no. | ANSI Chain no. | Pitch | Roller diameter | Width between inner plates | Pin diameter | Pin length | | Inner plate depth | Plate thickness | Transverse pitch |
|----------|-----------------------|----------------|-------|-----------------|----------------------------|--------------|------------|--------|-------------------|-----------------|------------------|
| | | | P | d1 max | b1 min | d2 max | L max | Lc max | h2 max | T max | |
| | | | mm | mm | mm | mm | mm | mm | mm | mm | |

| | | | | | | | | | | | |
|----------------|-------------|-------------|--------|-------|-------|-------|------|------|-------|------|-------|
| 12140-2SS-SLR | 08A-2SS-SLR | 40-2SS-SLR | 12,700 | 7,95 | 7,85 | 3,96 | 31,0 | 32,2 | 12,00 | 1,50 | 14,38 |
| 12150-2SS-SLR | 10A-2SS-SLR | 50-2SS-SLR | 15,875 | 10,16 | 9,40 | 5,08 | 38,9 | 40,4 | 15,09 | 2,03 | 18,11 |
| 12160-2SS-SLR | 12A-2SS-SLR | 60-2SS-SLR | 19,050 | 11,91 | 12,57 | 5,94 | 48,8 | 50,5 | 18,00 | 2,42 | 22,78 |
| 12180-2SS-SLR | 16A-2SS-SLR | 80-2SS-SLR | 25,400 | 15,88 | 15,75 | 7,92 | 62,7 | 64,3 | 24,00 | 3,25 | 29,29 |
| 121100-2SS-SLR | 20A-2SS-SLR | 100-2SS-SLR | 31,750 | 19,05 | 18,90 | 9,53 | 76,4 | 80,5 | 30,00 | 4,00 | 35,76 |
| 121120-2SS-SLR | 24A-2SS-SLR | 120-2SS-SLR | 38,100 | 22,23 | 25,22 | 11,10 | 95,8 | 99,7 | 35,70 | 4,80 | 45,44 |

* Bush chain: d1 in the table indicates the external diameter of the bush.



| Ultimate tensile strength | Average tensile strength | Weight per meter | Available chain parts | | | | |
|---------------------------|--------------------------|------------------|-----------------------|---|---|---|---|
| Q min | Q0 | q | E | S | L | C | A |
| kN/lbf | kN | kg/m | | | | | |
| 28,20/6409 | | 1,12 | X | | X | | X |
| 44,40/10091 | | 2,00 | X | | X | | X |
| 63,60/14455 | | 2,92 | X | | X | | X |
| 113,40/25773 | | 5,15 | X | | X | | X |
| 177,00/40227 | | 7,80 | | X | X | | X |
| 254,00/57727 | | 11,70 | | X | X | | X |



Solution range



These Donghua Stainless Roller Chains have an engineered plastic slide bearing between pin and bush for a self-lubricating effect. Depending on the environmental circumstances, wear life improvements compared to standard SS of +50% is possible! All Donghua roller chains are: Pre-loaded, Fatigue resistant and Wear resistant. This SS-SLR roller chain is self-lubricating. Donghua simplex, duplex and triplex roller chains are manufactured according to ISO 606 DIN8188, standard pre-loaded, pre-lubrication on request, do have seamless rollers and are marked with production batch code number for complete traceability. All Donghua roller chains are sealed in plastic bags and packed in cardboard boxes with clear ISO 606 DIN descriptions and safety instructions. Standard packaging size is 5 meter box, reels are available on request. Cut to length service is available on request. Several test certificates like breaking load, length tolerance and material analyses are possible and available on request. Rollers chains which are needed for 'run as pairs' applications can be matched as pairs on request. DIN, 1/2DIN and 1/3DIN length tolerance are possible, please ask us for a quotation. For high temperature, low temperature, food application or special environments different kind of special lubricants are available. Please ask our sales team for any special needs. For drive chain calculation and right dimension check, please contact our engineering department, also see drive chain calculation data sheet on page 301. By filling this data sheet and sending this to our engineering department you will receive a detailed drive chain calculation including life time expectation. Sprockets are available for all roller chains, with pilot bore, fixed bore, keyway, setscrew or bearing bore with grooves. Standard toothing, hardened toothing or special toothing are possible with pilot bore, fixed bore or taper bush. Chain tools, tensioners and chain lubricants please see page 302-310.

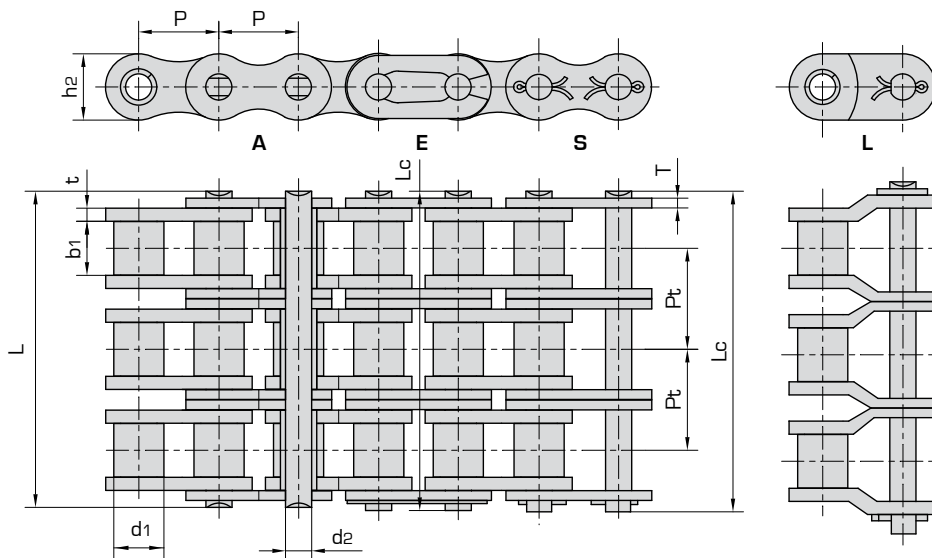
Short pitch precision roller chains (A series)

Stainless steel AISI304(1.4301) SLR (Self Lubricating Roller Chain) Dry-Tec

Triplex roller chains & bush chains

| Part nr. | DIN/ISO 606 Chain no. | ANSI Chain no. | Pitch | Roller diameter | Width between inner plates | Pin diameter | Pin length | | Inner plate depth | Plate thickness | Transverse pitch |
|----------------|-----------------------|----------------|--------|-----------------|----------------------------|--------------|------------|--------|-------------------|-----------------|------------------|
| | | | P | d1 max | b1 min | d2 max | L max | Lc max | h2 max | T max | |
| | | | mm | mm | mm | mm | mm | mm | mm | mm | |
| 12140-3SS-SLR | 08A-3SS-SLR | 40-3SS-SLR | 12,700 | 7,95 | 7,85 | 3,96 | 45,4 | 46,6 | 12,00 | 1,50 | 14,38 |
| 12150-3SS-SLR | 10A-3SS-SLR | 50-3SS-SLR | 15,875 | 10,16 | 9,40 | 5,08 | 57,0 | 58,5 | 15,09 | 2,03 | 18,11 |
| 12160-3SS-SLR | 12A-3SS-SLR | 60-3SS-SLR | 19,050 | 11,91 | 12,57 | 5,94 | 71,5 | 73,3 | 18,00 | 2,42 | 22,78 |
| 12180-3SS-SLR | 16A-3SS-SLR | 80-3SS-SLR | 25,400 | 15,88 | 15,75 | 7,92 | 91,7 | 93,6 | 24,00 | 3,25 | 29,29 |
| 121100-3SS-SLR | 20A-3SS-SLR | 100-3SS-SLR | 31,750 | 19,05 | 18,90 | 9,53 | 112,2 | 116,3 | 30,00 | 4,00 | 35,76 |
| 121120-3SS-SLR | 24A-3SS-SLR | 120-3SS-SLR | 38,100 | 22,23 | 25,22 | 11,10 | 141,4 | 145,2 | 35,70 | 4,80 | 45,44 |

* Bush chain: d1 in the table indicates the external diameter of the bush.



| Ultimate tensile strength | Average tensile strength | Weight per meter | Available chain parts | | | | |
|---------------------------|--------------------------|------------------|-----------------------|---|---|---|---|
| Q min | Q0 | q | E | S | L | C | A |
| kN/lbf | kN | kg/m | | | | | |
| 42,3/9614 | | 1,90 | X | | X | | X |
| 66,6/15136 | | 3,09 | X | | X | | X |
| 95,4/21682 | | 4,54 | X | | X | | X |
| 170,1/38659 | | 7,89 | X | | X | | X |
| 265,5/60341 | | 11,77 | | X | X | | X |
| 381,0/86591 | | 17,53 | | X | X | | X |



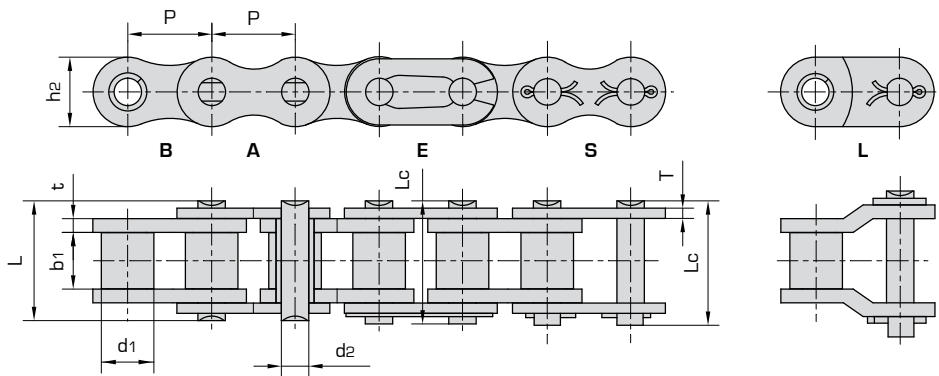
These Donghua Stainless Roller Chains have an engineered plastic slide bearing between pin and bush for a self-lubricating effect. Depending on the environmental circumstances, wear life improvements compared to standard SS of +50% is possible! All Donghua roller chains are: Pre-loaded, Fatigue resistant and Wear resistant. This SS-SLR roller chain is self-lubricating. Donghua simplex, duplex and triplex roller chains are manufactured according to ISO 606 DIN8188, standard pre-loaded, pre-lubrication on request, do have seamless rollers and are marked with production batch code number for complete traceability. All Donghua roller chains are sealed in plastic bags and packed in cardboard boxes with clear ISO 606 DIN descriptions and safety instructions. Standard packaging size is 5 meter box, reels are available on request. Cut to length service is available on request. Several test certificates like breaking load, length tolerance and material analyses are possible and available on request. Rollers chains which are needed for 'run as pairs' applications can be matched as pairs on request. DIN, 1/2DIN and 1/3DIN length tolerance are possible, please ask us for a quotation. For high temperature, low temperature, food application or special environments different kind of special lubricants are available. Please ask our sales team for any special needs. For drive chain calculation and right dimension check, please contact our engineering department, also see drive chain calculation data sheet on page 301. By filling this data sheet and sending this to our engineering department you will receive a detailed drive chain calculation including life time expectation. Sprockets are available for all roller chains, with pilot bore, fixed bore, keyway, setscrew or bearing bore with grooves. Standard toothing, hardened toothing or special toothing are possible with pilot bore, fixed bore or taper bush. Chain tools, tensioners and chain lubricants please see page 302-310.

Short pitch precision roller chains (B series)

Stainless steel AISI316 (1.4401)

Simplex roller chains

| Part nr. | DIN/ISO 606 Chain no. | Pitch | Roller diameter | Width between inner plates | Pin diameter | Pin length | | Inner plate depth | Plate thickness |
|----------------------|-----------------------|--------|-----------------|----------------------------|--------------|------------|--------|-------------------|-----------------|
| | | P | d1 max | b1 min | d2 max | L max | Lc max | h2 max | T max |
| | | mm | mm | mm | mm | mm | mm | mm | mm |
| 12008B-1SS316 | 08B-1SS316 | 12,700 | 8,51 | 7,75 | 4,45 | 16,70 | 18,2 | 11,80 | 1,60 |
| 12010B-1SS316 | 10B-1SS316 | 15,875 | 10,16 | 9,65 | 5,08 | 19,50 | 20,9 | 14,70 | 1,70 |
| 12012B-1SS316 | 12B-1SS316 | 19,050 | 12,07 | 11,68 | 5,72 | 22,50 | 24,2 | 16,00 | 1,85 |
| 12016B-1SS316 | 16B-1SS316 | 25,400 | 15,88 | 17,02 | 8,28 | 36,10 | 37,4 | 21,00 | 4,15/3,1 |
| 12020B-1SS316 | 20B-1SS316 | 31,750 | 19,05 | 19,56 | 10,19 | 41,30 | 45,0 | 26,40 | 4,50/3,5 |
| 12024B-1SS316 | 24B-1SS316 | 38,100 | 25,40 | 25,40 | 14,63 | 53,40 | 57,8 | 33,20 | 6,00/4,8 |



| Ultimate tensile strength | Average tensile strength | Weight per meter | Available chain parts | | | | | |
|---------------------------|--------------------------|------------------|-----------------------|---|---|---|---|---|
| Q min | Q0 | q | E | S | L | C | A | B |
| kN/lbf | kN | kg/m | | | | | | |
| 12,0/2727 | | 0,70 | X | X | X | | X | X |
| 14,5/3295 | | 0,94 | X | X | X | | X | X |
| 18,5/4205 | | 1,16 | X | X | X | | X | X |
| 40,0/9091 | | 2,73 | X | X | X | | X | X |
| 59,0/13409 | | 3,73 | X | X | X | | X | X |
| 104,0/25454 | | 7,20 | | X | X | | X | X |

E



S



L



A

Solution
range

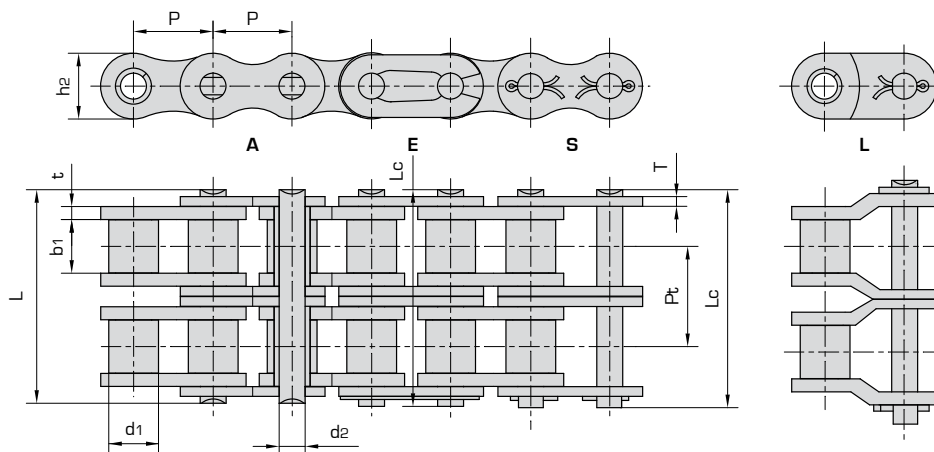
Donghua Stainless Steel Roller Chains meet the high requirements in the food industry. For special food applications, there are different food grade lubricants available. Please ask our engineering department. Donghua Stainless Steel Roller Chains cannot replace standard carbon steel roller chains in the same size. Breaking Load and Wear Resistance differ too much. Please ask our engineering department for the right dimensional choice per drive. All Donghua roller chains are: Pre-loaded, Fatigue resistant and Wear resistant. Pre-lubricated is possible on request. By default these stainless steel roller chains are not lubricated! Donghua simplex, duplex and triplex roller chains are manufactured according to ISO 606 DIN8187, standard pre-loaded, pre-lubrication on request, do have seamless rollers and are marked with production batch code number for complete traceability. All Donghua roller chains are sealed in plastic bags and packed in cardboard boxes with clear ISO 606 DIN descriptions and safety instructions. Standard packaging size is 5 meter box, reels are available on request. Cut to length service is available on request. Several test certificates like breaking load, length tolerance and material analyses are possible and available on request. Rollers chains which are needed for 'run as pairs' applications can be matched as pairs on request. DIN, 1/2DIN and 1/3DIN length tolerance are possible, please ask us for a quotation. For high temperature, low temperature, food application or special environments different kind of special lubricants are available. Please ask our sales team for any special needs. For drive chain calculation and right dimension check, please contact our engineering department, also see drive chain calculation data sheet on page 301. By filling this data sheet and sending this to our engineering department you will receive a detailed drive chain calculation including life time expectation. Sprockets are available for all roller chains, with pilot bore, fixed bore, keyway, setscrew or bearing bore with grooves. Standard toothing, hardened toothing or special toothing are possible with pilot bore, fixed bore or taper bush. Chain tools, tensioners and chain lubricants please see page 302-310.

Short pitch precision roller chains (B series)

Stainless steel AISI316 (1.4401)

Duplex roller chains

| Part nr. | DIN/ISO 606 Chain no. | Pitch | Roller diameter | Width between inner plates | Pin diameter | Pin length | | Inner plate depth | Plate thickness | Transverse pitch |
|---------------|-----------------------|--------|-----------------|----------------------------|--------------|------------|--------|-------------------|-----------------|------------------|
| | | | | | | L max | Lc max | | | |
| | | P | d1 max | b1 min | d2 max | L max | Lc max | h2 max | T max | |
| | | mm | mm | mm | mm | mm | mm | mm | mm | |
| 12008B-2SS316 | 08B-2SS316 | 12,700 | 8,51 | 7,75 | 4,45 | 31,0 | 32,2 | 11,80 | 1,60 | 13,92 |
| 12010B-2SS316 | 10B-2SS316 | 15,875 | 10,16 | 9,65 | 5,08 | 36,1 | 37,5 | 14,70 | 1,70 | 16,59 |
| 12012B-2SS316 | 12B-2SS316 | 19,050 | 12,07 | 11,68 | 5,72 | 42,0 | 43,6 | 16,00 | 1,85 | 19,46 |
| 12016B-2SS316 | 16B-2SS316 | 25,400 | 15,88 | 17,02 | 8,28 | 68,0 | 69,3 | 21,00 | 4,15/3,1 | 31,88 |
| 12020B-2SS316 | 20B-2SS316 | 31,750 | 19,05 | 19,56 | 10,19 | 77,8 | 81,5 | 26,40 | 4,50/3,5 | 36,45 |
| 12024B-2SS316 | 24B-2SS316 | 38,100 | 25,40 | 25,40 | 14,63 | 101,7 | 106,2 | 33,20 | 6,00/4,8 | 48,36 |



| Ultimate tensile strength | Average tensile strength | Weight per meter | Available chain parts | | | | |
|---------------------------|--------------------------|------------------|-----------------------|---|---|---|---|
| Q min | Q0 | q | E | S | L | C | A |
| kN/lbf | kN | kg/m | | | | | |
| 20,40/4586 | | 1,34 | X | X | X | | X |
| 24,65/5541 | | 1,84 | X | X | X | | X |
| 31,45/7070 | | 2,31 | X | X | X | | X |
| 68,0/15287 | | 5,42 | X | X | X | | X |
| 100,0/22480 | | 7,20 | | X | X | | X |
| 176,8/39746 | | 13,40 | | X | X | | X |



Solution
range

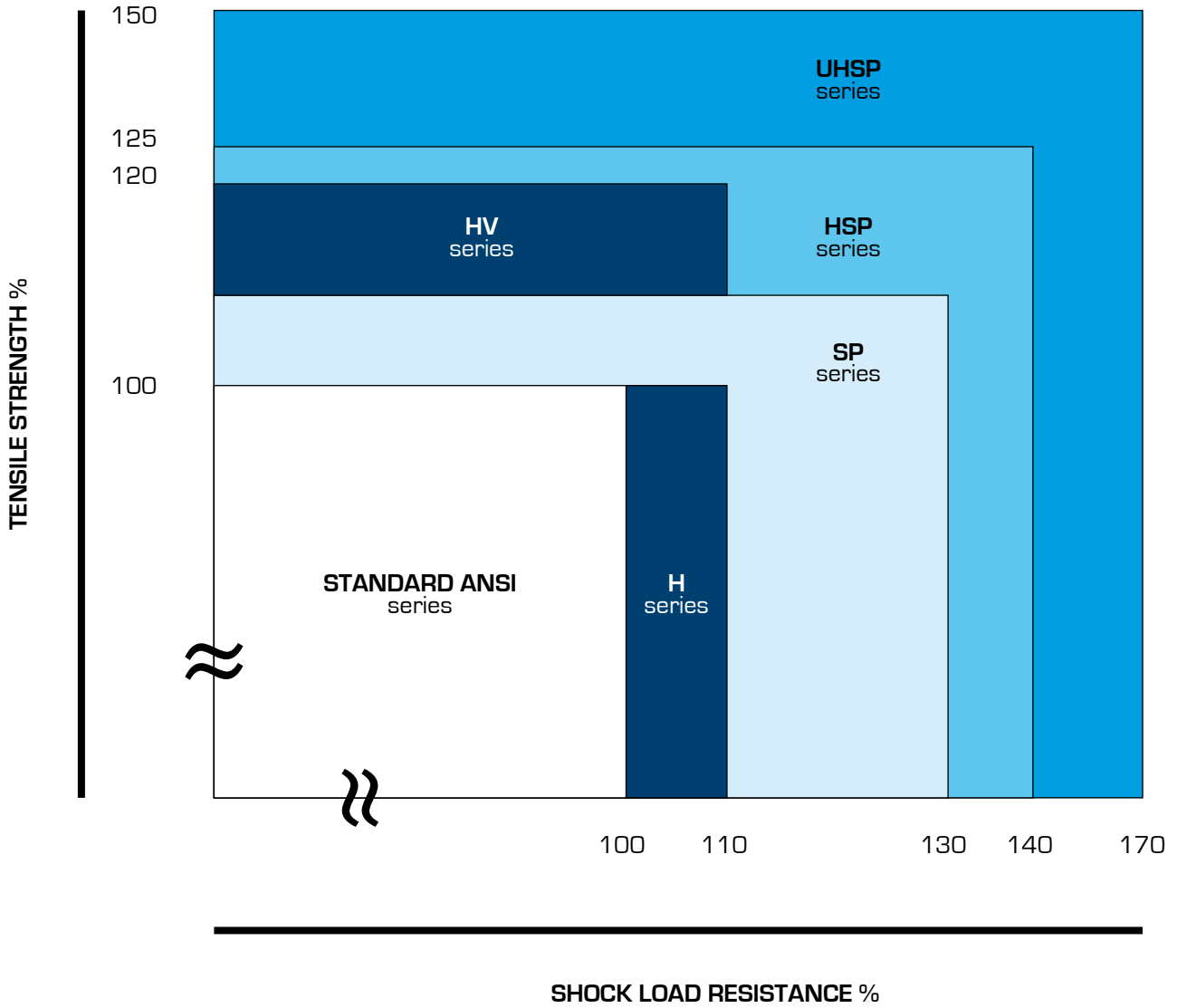


Donghua Stainless Steel Roller Chains meet the high requirements in the food industry. For special food applications, there are different food grade lubricants available. Please ask our engineering department. Donghua Stainless Steel Roller Chains cannot replace standard carbon steel roller chains in the same size. Breaking Load and Wear Resistance differ too much. Please ask our engineering department for the right dimensional choice per drive. All Donghua roller chains are: Pre-loaded, Fatigue resistant and Wear resistant. Pre-lubricated is possible on request. By default these stainless steel roller chains are not lubricated! Donghua simplex, duplex and triplex roller chains are manufactured according to ISO 606 DIN8187, standard pre-loaded, pre-lubrication on request, do have seamless rollers and are marked with production batch code number for complete traceability. All Donghua roller chains are sealed in plastic bags and packed in cardboard boxes with clear ISO 606 DIN descriptions and safety instructions. Standard packaging size is 5 meter box, reels are available on request. Cut to length service is available on request. Several test certificates like breaking load, length tolerance and material analyses are possible and available on request. Rollers chains which are needed for 'run as pairs' applications can be matched as pairs on request. DIN, 1/2DIN and 1/3DIN length tolerance are possible, please ask us for a quotation. For high temperature, low temperature, food application or special environments different kind of special lubricants are available. Please ask our sales team for any special needs. For drive chain calculation and right dimension check, please contact our engineering department, also see drive chain calculation data sheet on page 301. By filling this data sheet and sending this to our engineering department you will receive a detailed drive chain calculation including life time expectation. Sprockets are available for all roller chains, with pilot bore, fixed bore, keyway, setscrew or bearing bore with grooves. Standard toothing, hardened toothing or special toothing are possible with pilot bore, fixed bore or taper bush. Chain tools, tensioners and chain lubricants please see page 302-310.



DONGHUA
80HSP

ANSI Heavy duty Program



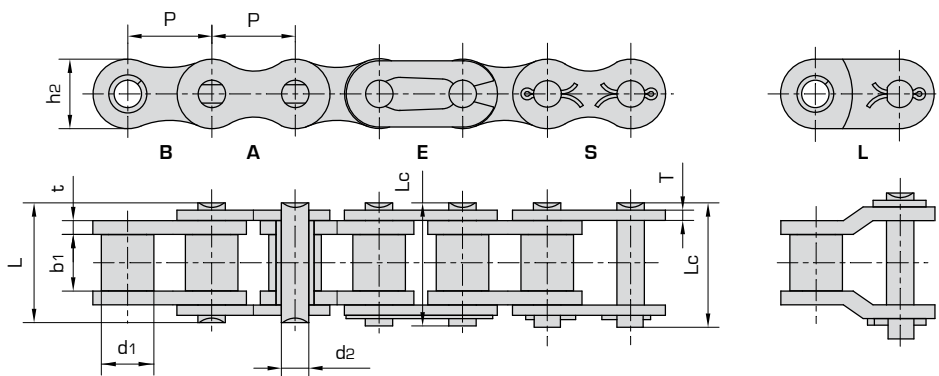
Solution
range

Heavy duty series roller chains

Non-standard Heavy duty series roller chains

| Part nr. | DIN/ISO 606 Chain no. | Pitch | Roller diameter | Width between inner plates | Pin diameter | Pin length | | Inner plate depth | Plate thickness |
|-------------|-----------------------|--------|-----------------|----------------------------|--------------|------------|--------|-------------------|-----------------|
| | | P | d1 max | b1 min | d2 max | L max | Lc max | h2 max | T max |
| | | mm | mm | mm | mm | mm | mm | mm | mm |
| 10004B-1H | 04BH | 6,000 | 4,00 | 2,80 | 1,85 | 8,4 | 9,4 | 5,0 | 0,90 |
| 10006B-1H | *06BH | 9,525 | 6,35 | 5,72 | 3,58 | 14,4 | 15,4 | 8,2 | 1,60 |
| 10040-1H | 08AHF1 | 12,700 | 7,95 | 10,00 | 3,96 | 21,0 | 22,2 | 12,0 | 2,03 |
| 10008B-1H | 08BH | 12,700 | 8,51 | 7,85 | 4,45 | 18,8 | 19,9 | 11,8 | 2,03 |
| 10010B-1H | 10BH | 15,875 | 10,16 | 9,65 | 5,08 | 20,2 | 21,6 | 14,7 | 1,85 |
| 10012B-1H | 12BH | 19,050 | 12,07 | 11,68 | 5,94 | 25,2 | 26,8 | 16,0 | 2,42 |
| 10012B-1HF1 | 12BHF1 | 19,050 | 12,07 | 11,68 | 6,10 | 25,0 | 27,2 | 16,5 | 2,50 |
| 10012B-1HF2 | 12BHF2 | 19,050 | 12,07 | 13,30 | 6,10 | 28,8 | 30,3 | 16,5 | 2,80 |
| 10012B-1HF3 | 12BHF3 | 19,050 | 12,07 | 13,50 | 5,72 | 28,8 | 30,3 | 16,5 | 2,80 |
| 10012B-1V | 12BV | 19,050 | 12,07 | 11,68 | 6,10 | 24,5 | 26,5 | 16,0 | 2,42 |
| 100060-1HV | 60HV | 19,050 | 11,91 | 12,57 | 5,94 | 29,2 | 31,0 | 18,0 | 3,25 |
| 10016B-1H | 16BH | 25,400 | 15,88 | 17,02 | 8,90 | 35,7 | 38,9 | 24,1 | 4,00/3,1 |
| 10016B-1HF3 | 16BHF3 | 25,400 | 15,88 | 12,70 | 8,90 | 31,6 | 35,0 | 24,1 | 4,00/3,1 |
| 10024B-1H | 24BH | 38,100 | 25,40 | 25,40 | 14,63 | 58,6 | 63,4 | 36,2 | 7,50/6,0 |
| 10024B-1HF2 | 24BHF2 | 38,100 | 25,40 | 25,40 | 14,63 | 57,8 | 62,2 | 37,0 | 7,20/6,0 |
| 10024B-1HF5 | 24BHF5 | 38,100 | 25,40 | 25,40 | 14,63 | 64,6 | 69,1 | 36,2 | 9,00/7,5 |

* Straight side plates



| Ultimate tensile strength | Average tensile strength | Weight per meter | Available chain parts | | | | | |
|---------------------------|--------------------------|------------------|-----------------------|---|---|---|---|---|
| Q min | Q0 | q | E | S | L | C | A | B |
| kN/lbf | kN | kg/m | | | | | | |
| 5,00/1136 | 5,5 | 0,14 | | | X | | X | |
| 11,25/2557 | 12,4 | 0,51 | | | X | | X | |
| 13,80/3136 | 15,2 | 0,88 | | X | | | X | |
| 20,60/4682 | 22,7 | 0,79 | | X | | | X | |
| 25,00/5681 | 27,5 | 1,03 | | X | | | X | |
| 40,00/9091 | 44 | 1,45 | | X | | | X | |
| 44,00/10000 | 48,4 | 1,46 | | X | | | X | |
| 35,00/7954 | 38,5 | 1,72 | | X | | | X | |
| 35,00/7954 | 38,5 | 1,71 | | X | | | X | |
| 36,00/8182 | 39,6 | 1,43 | | X | | | X | |
| 40,00/9090 | 44,0 | 2,00 | | X | | | X | |
| 80,00/18182 | 88,0 | 3,11 | | X | | | X | |
| 80,00/18182 | 88,0 | 2,90 | X | X | | | X | |
| 225,00/51136 | 247,5 | 9,00 | X | X | | | X | |
| 225,40/51226 | 247,5 | 9,06 | X | X | | | X | |
| 270,00/61344 | 297 | 10,60 | X | X | | | X | |



Solution
range



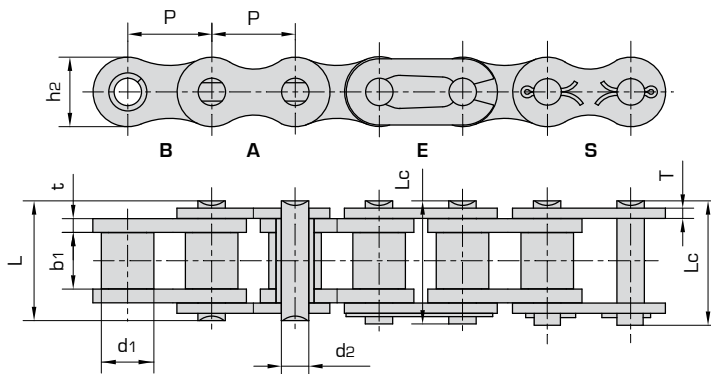
Donghua's Heavy Duty Series are designed for tough and demanding applications and environments. The increased plate thickness offers a higher fatigue resistance. In combination with straight side plates it offers good wear resistant properties for conveyor applications. Donghua simplex, duplex and triplex roller chains are manufactured according to ISO 606 DIN8187, standard pre-loaded, pre-lubricated, do have seamless rollers and are marked with production batch code number for complete traceability. All Donghua roller chains are sealed in plastic bags and packed in cardboard boxes with clear ISO 606 DIN descriptions and safety instructions. Standard packaging size is 5 meter box, reels are available on request. Cut to length service is available on request. Several test certificates like breaking load, length tolerance and material analyses are possible and available on request. Rollers chains which are needed for 'run as pairs' applications can be matched as pairs on request. DIN, 1/2DIN and 1/3DIN length tolerance are possible, please ask us for a quotation. For high temperature, low temperature, food application or special environments different kind of special lubricants are available. Please ask our sales team for any special needs. For drive chain calculation and right dimension check, please contact our engineering department, also see drive chain calculation data sheet on page 301. By filling this data sheet and sending this to our engineering department you will receive a detailed drive chain calculation including life time expectation. Sprockets are available for all roller chains, with pilot bore, fixed bore, keyway, setscrew or bearing bore with grooves. Standard toothing, hardened toothing or special toothing are possible with pilot bore, fixed bore or taper bush. Chain tools, tensioners and chain lubricants please see page 302-310.

Short pitch heavy duty precision roller chains (A series)

Simplex roller chains & bush chains heavy duty series

| Part nr. | DIN/ISO 606 Chain no. | ANSI Chain no. | Pitch | Roller diameter | Width between inner plates | Pin diameter | Pin length | | Inner plate depth | Plate thickness |
|-----------|--------------------------|-------------------|--------|--------------------|-------------------------------------|-----------------|------------|--------|-------------------------|--------------------|
| | | | | | | | L max | Lc max | | |
| | | | | | | | P | d1 max | | |
| mm | | mm | | mm | | mm | | mm | | |
| 10035-1H | *06C-1H | *35H-1 | 9,525 | 5,08 | 4,77 | 3,58 | 13,30 | 14,30 | 9,00 | 1,50 |
| 10040-1H | 08A-1H | 40H-1 | 12,700 | 7,95 | 7,85 | 3,96 | 18,80 | 19,90 | 12,00 | 2,03 |
| 10050-1H | 10A-1H | 50H-1 | 15,875 | 10,16 | 9,40 | 5,08 | 22,10 | 23,40 | 15,09 | 2,42 |
| 10060-1H | 12A-1H | 60H-1 | 19,050 | 11,91 | 12,57 | 5,94 | 29,20 | 31,00 | 18,00 | 3,25 |
| 10080-1H | 16A-1H | 80H-1 | 25,400 | 15,88 | 15,75 | 7,92 | 36,20 | 37,70 | 24,00 | 4,00 |
| 100100-1H | 20A-1H | 100H-1 | 31,750 | 19,05 | 18,90 | 9,53 | 43,60 | 46,90 | 30,00 | 4,80 |
| 100120-1H | 24A-1H | 120H-1 | 38,100 | 22,23 | 25,22 | 11,10 | 53,50 | 57,50 | 35,70 | 5,60 |
| 100140-1H | 28A-1H | 140H-1 | 44,450 | 25,40 | 25,22 | 12,70 | 57,60 | 62,20 | 41,00 | 6,40 |
| 100160-1H | 32A-1H | 160H-1 | 50,800 | 28,58 | 31,55 | 14,27 | 68,20 | 73,00 | 47,80 | 7,20 |
| 100180-1H | 36A-1H | 180H-1 | 57,150 | 35,71 | 35,48 | 17,46 | 75,90 | 81,60 | 53,60 | 8,00 |
| 100200-1H | 40A-1H | 200H-1 | 63,500 | 39,68 | 37,85 | 19,85 | 86,60 | 93,50 | 60,00 | 9,50 |
| 100240-1H | 48A-1H | 240H-1 | 76,200 | 47,63 | 47,35 | 23,81 | 109,60 | 115,90 | 72,39 | 12,70 |

* Bush chain: d1 in the table indicates the external diameter of the bush.



| Ultimate tensile strength | Average tensile strength | Weight per meter | Available chain parts | | | | | |
|---------------------------|--------------------------|------------------|-----------------------|---|---|---|---|---|
| Q min | Q0 | q | E | S | L | C | A | B |
| kN/lbf | kN | kg/m | | | | | | |
| 7,90/1795 | 10,8 | 0,41 | X | | | | X | |
| 14,10/3205 | 19,1 | 0,82 | X | | | | X | |
| 22,20/5045 | 30,2 | 1,25 | X | | | | X | |
| 31,80/7227 | 42,7 | 1,87 | X | | | | X | |
| 56,70/12886 | 71,4 | 3,10 | X | | | | X | |
| 88,50/20114 | 112,4 | 4,52 | | X | | | X | |
| 127,00/28864 | 160,9 | 6,60 | | X | | | X | |
| 172,40/39182 | 217,3 | 8,30 | | X | | | X | |
| 226,80/51545 | 285,8 | 10,30 | | X | | | X | |
| 281,0/63682 | 341,8 | 14,83 | | X | | | X | |
| 353,80/80409 | 444,5 | 19,16 | | X | | | X | |
| 510,30/115977 | 622,5 | 30,40 | | X | | | X | |



Solution
range



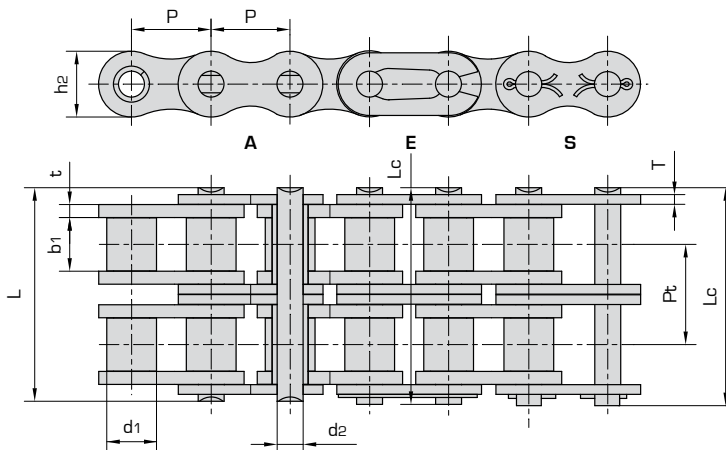
Donghua's Heavy Duty Series are designed for tough and demanding applications and environments. The increased plate thickness offers a higher fatigue resistance. In combination with straight side plates it offers good wear resistant properties for conveyor applications. All Donghua roller chains are: Pre-loaded, Fatigue resistant, Wear resistant and Pre-lubricated. Donghua simplex, duplex and triplex roller chains are manufactured according to ISO 606 DIN8187, standard pre-loaded, pre-lubricated, do have seamless rollers and are marked with production batch code number for complete traceability. All Donghua roller chains are sealed in plastic bags and packed in cardboard boxes with clear ISO 606 DIN descriptions and safety instructions. Standard packaging size is 5 meter box, reels are available on request. Cut to length service is available on request. Several test certificates like breaking load, length tolerance and material analyses are possible and available on request. Rollers chains which are needed for 'run as pairs' applications can be matched as pairs on request. DIN, 1/2DIN and 1/3DIN length tolerance are possible, please ask us for a quotation. For high temperature, low temperature, food application or special environments different kind of special lubricants are available. Please ask our sales team for any special needs. For drive chain calculation and right dimension check, please contact our engineering department, also see drive chain calculation data sheet on page 301. By filling this data sheet and sending this to our engineering department you will receive a detailed drive chain calculation including life time expectation. Sprockets are available for all roller chains, with pilot bore, fixed bore, keyway, setscrew or bearing bore with grooves. Standard toothing, hardened toothing or special toothing are possible with pilot bore, fixed bore or taper bush. Chain tools, tensioners and chain lubricants please see page 302-310.

Short pitch heavy duty precision roller chains (A series)

Duplex roller chains & bush chains heavy duty series

| Part nr. | DIN/ISO 606 Chain no. | ANSI Chain no. | Pitch | Roller diameter | Width between inner plates | Pin diameter | Pin length | | Inner plate depth | Plate thickness | Transverse pitch |
|-----------|-----------------------------|-------------------|--------|--------------------|-------------------------------------|-----------------|------------|--------|-------------------------|--------------------|---------------------|
| | | | | | | | L max | Lc max | | | |
| | | | P | d1 max | b1 min | d2 max | L max | Lc max | h2 max | T max | |
| | | | mm | mm | mm | mm | mm | mm | mm | mm | mm |
| 10060-2H | 12A-2H | 60H-2 | 19,050 | 11,91 | 12,57 | 5,94 | 48,8 | 50,5 | 18,00 | 2,42 | 22,78 |
| 10080-2H | 16A-2H | 80H-2 | 25,400 | 15,88 | 15,75 | 7,92 | 62,7 | 64,3 | 24,00 | 3,25 | 29,29 |
| 100100-2H | 20A-2H | 100H-2 | 31,750 | 19,05 | 18,90 | 9,53 | 76,4 | 80,5 | 30,00 | 4,00 | 35,76 |
| 100120-2H | 24A-2H | 120H-2 | 38,100 | 22,23 | 25,22 | 11,10 | 95,8 | 99,7 | 35,70 | 4,80 | 45,44 |
| 100140-2H | 28A-2H | 140H-2 | 44,450 | 25,40 | 25,22 | 12,70 | 103,3 | 107,9 | 41,00 | 5,60 | 48,87 |
| 100160-2H | 32A-2H | 160H-2 | 50,800 | 28,58 | 31,55 | 14,27 | 123,3 | 128,1 | 47,80 | 6,40 | 58,55 |
| 100180-2H | 36A-2H | 180H-2 | 57,150 | 35,71 | 35,48 | 17,46 | 138,6 | 144,4 | 53,60 | 7,20 | 65,84 |
| 100200-2H | 40A-2H | 200H-2 | 63,500 | 39,68 | 37,85 | 19,85 | 151,9 | 158,8 | 60,00 | 8,00 | 71,55 |

* Bush chain: d1 in the table indicates the external diameter of the bush.



| Ultimate tensile strength | Average tensile strength | Weight per meter | Available chain parts | | | | | |
|---------------------------|--------------------------|------------------|-----------------------|---|---|---|---|--|
| Q_{min} | Q_0 | q | | | | | | |
| kN/lbf | kN | kg/m | E | S | L | C | A | |
| 63,60/14455 | 84,5 | 2,92 | X | | | | X | |
| 113,40/25773 | 145,3 | 5,15 | X | | | | X | |
| 177,00/40227 | 225,9 | 7,80 | | X | | | X | |
| 254,00/57727 | 322,7 | 11,70 | | X | | | X | |
| 344,80/78364 | 437,7 | 15,14 | | X | | | X | |
| 453,60/103091 | 571,6 | 20,14 | | X | | | X | |
| 560,50/127386 | 680,0 | 29,22 | | X | | | X | |
| 707,60/160818 | 894,9 | 32,24 | | X | | | X | |



Solution range



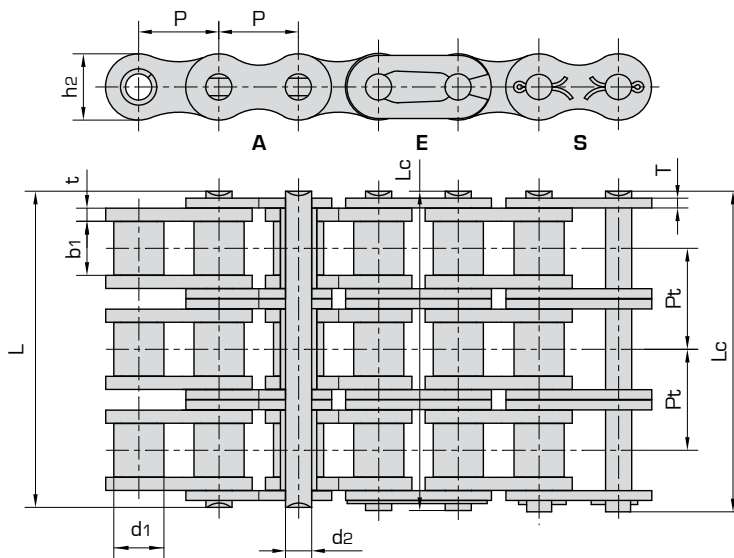
Donghua's Heavy Duty Series are designed for tough and demanding applications and environments. The increased plate thickness offers a higher fatigue resistance. In combination with straight side plates it offers good wear resistant properties for conveyor applications. All Donghua roller chains are: Pre-loaded, Fatigue resistant, Wear resistant and Pre-lubricated. Donghua simplex, duplex and triplex roller chains are manufactured according to ISO 606 DIN8187, standard pre-loaded, pre-lubricated, do have seamless rollers and are marked with production batch code number for complete traceability. All Donghua roller chains are sealed in plastic bags and packed in cardboard boxes with clear ISO 606 DIN descriptions and safety instructions. Standard packaging size is 5 meter box, reels are available on request. Cut to length service is available on request. Several test certificates like breaking load, length tolerance and material analyses are possible and available on request. Rollers chains which are needed for 'run as pairs' applications can be matched as pairs on request. DIN, 1/2DIN and 1/3DIN length tolerance are possible, please ask us for a quotation. For high temperature, low temperature, food application or special environments different kind of special lubricants are available. Please ask our sales team for any special needs. For drive chain calculation and right dimension check, please contact our engineering department, also see drive chain calculation data sheet on page 301. By filling this data sheet and sending this to our engineering department you will receive a detailed drive chain calculation including life time expectation. Sprockets are available for all roller chains, with pilot bore, fixed bore, keyway, setscrew or bearing bore with grooves. Standard toothing, hardened toothing or special toothing are possible with pilot bore, fixed bore or taper bush. Chain tools, tensioners and chain lubricants please see page 302-310.

Short pitch heavy duty precision roller chains (A series)

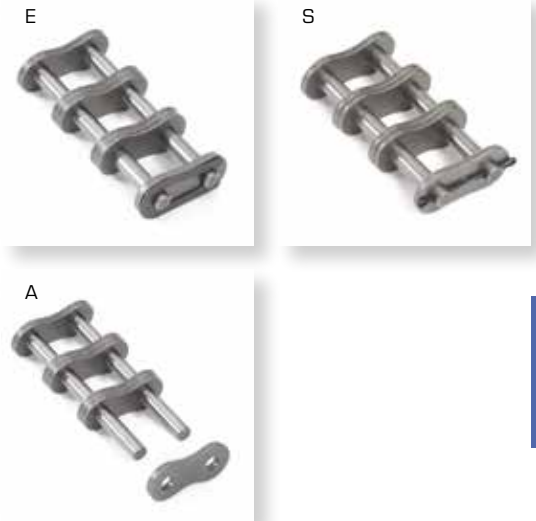
Triplex roller chains & bush chains heavy duty series

| Part nr. | DIN/ISO 606 Chain no. | ANSI Chain no. | Pitch | Roller diameter | Width between inner plates | Pin diameter | Pin length | | Inner plate depth | Plate thickness | Transverse pitch |
|-----------|-----------------------------|-------------------|--------|--------------------|-------------------------------------|-----------------|------------|--------|-------------------------|--------------------|---------------------|
| | | | P | d1 max | b1 min | d2 max | L max | Lc max | h2 max | T max | |
| | | | mm | mm | mm | mm | mm | mm | mm | mm | mm |
| 10060-3H | 12A-3H | 60H-3 | 19,050 | 11,91 | 12,57 | 5,94 | 71,5 | 73,3 | 18,00 | 2,42 | 22,78 |
| 10080-3H | 16A-3H | 80H-3 | 25,400 | 15,88 | 15,75 | 7,92 | 91,7 | 93,6 | 24,00 | 3,25 | 29,29 |
| 100100-3H | 20A-3H | 100H-3 | 31,750 | 19,05 | 18,90 | 9,53 | 112,2 | 116,3 | 30,00 | 4,00 | 35,76 |
| 100120-3H | 24A-3H | 120H-3 | 38,100 | 22,23 | 25,22 | 11,10 | 141,4 | 145,2 | 35,70 | 4,80 | 45,44 |
| 100140-3H | 28A-3H | 140H-3 | 44,450 | 25,40 | 25,22 | 12,70 | 152,2 | 156,8 | 41,00 | 5,60 | 48,87 |
| 100160-3H | 32A-3H | 160H-3 | 50,800 | 28,58 | 31,55 | 14,27 | 181,8 | 186,6 | 47,80 | 6,40 | 58,55 |
| 100180-3H | 36A-3H | 180H-3 | 57,150 | 35,71 | 35,48 | 17,46 | 204,4 | 210,2 | 53,60 | 7,20 | 65,84 |
| 100200-3H | 40A-3H | 200H-3 | 63,500 | 39,68 | 37,85 | 19,85 | 223,5 | 230,4 | 60,00 | 8,00 | 71,55 |

* Bush chain: d1 in the table indicates the external diameter of the bush.



| Ultimate tensile strength | Average tensile strength | Weight per meter | Available chain parts | | | | |
|---------------------------|--------------------------|------------------|-----------------------|---|---|---|---|
| Q min | Q0 | q | E | S | L | C | A |
| kN/lbf | kN | kg/m | | | | | |
| 95,4/21682 | 113,9 | 4,54 | X | | | | X |
| 170,1/38659 | 203,5 | 7,89 | X | | | | X |
| 265,5/60341 | 314,8 | 11,77 | | X | | | X |
| 381,0/86591 | 444,7 | 17,53 | | X | | | X |
| 517,2/117545 | 598,4 | 22,20 | | X | | | X |
| 680,4/154636 | 787,3 | 30,02 | | X | | | X |
| 840,7/191068 | 1011,0 | 38,22 | | X | | | X |
| 1061,4/241227 | 1228,2 | 49,03 | | X | | | X |



Donghua's Heavy Duty Series are designed for tough and demanding applications and environments. The increased plate thickness offers a higher fatigue resistance. In combination with straight side plates it offers good wear resistant properties for conveyor applications. All Donghua roller chains are: Pre-loaded, Fatigue resistant, Wear resistant and Pre-lubricated. Donghua simplex, duplex and triplex roller chains are manufactured according to ISO 606 DIN8187, standard pre-loaded, pre-lubricated, do have seamless rollers and are marked with production batch code number for complete traceability. All Donghua roller chains are sealed in plastic bags and packed in cardboard boxes with clear ISO 606 DIN descriptions and safety instructions. Standard packaging size is 5 meter box, reels are available on request. Cut to length service is available on request. Several test certificates like breaking load, length tolerance and material analyses are possible and available on request. Rollers chains which are needed for 'run as pairs' applications can be matched as pairs on request. DIN, 1/2DIN and 1/3DIN length tolerance are possible, please ask us for a quotation. For high temperature, low temperature, food application or special environments different kind of special lubricants are available. Please ask our sales team for any special needs. For drive chain calculation and right dimension check, please contact our engineering department, also see drive chain calculation data sheet on page 301. By filling this data sheet and sending this to our engineering department you will receive a detailed drive chain calculation including life time expectation. Sprockets are available for all roller chains, with pilot bore, fixed bore, keyway, setscrew or bearing bore with grooves. Standard toothing, hardened toothing or special toothing are possible with pilot bore, fixed bore or taper bush. Chain tools, tensioners and chain lubricants please see page 302-310.

Solution range

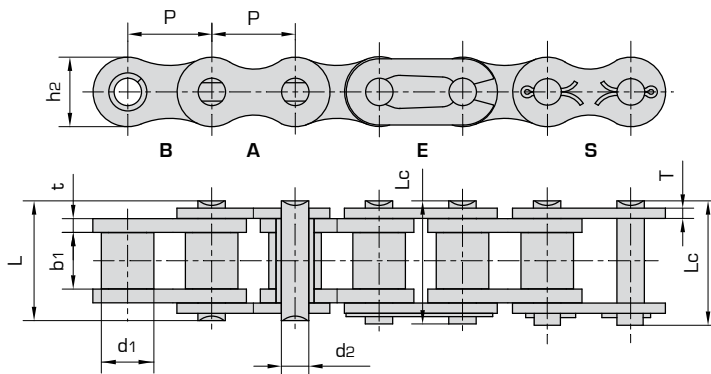
Short pitch heavy duty precision roller chains (A series)

heavy duty series with hard chromized pins

Simplex roller chains & bush chains

| Part nr. | DIN/ISO 606 Chain no. | ANSI Chain no. | Pitch | Roller diameter | Width between inner plates | Pin diameter | Pin length | | Inner plate depth | Plate thickness |
|-------------|-----------------------------|-------------------|--------|--------------------|-------------------------------------|-----------------|------------|--------|-------------------------|--------------------|
| | | | | | | | L max | Lc max | | |
| | | | | | | | P | d1 max | | |
| mm | | mm | | mm | | mm | | mm | | |
| 10035-1HCP | *06C-1H | *35H-1 | 9,525 | 5,08 | 4,77 | 3,58 | 13,30 | 14,30 | 9,00 | 1,50 |
| 10040-1HCP | 08A-1H | 40H-1 | 12,700 | 7,95 | 7,85 | 3,96 | 18,80 | 19,90 | 12,00 | 2,03 |
| 10050-1HCP | 10A-1H | 50H-1 | 15,875 | 10,16 | 9,40 | 5,08 | 22,10 | 23,40 | 15,09 | 2,42 |
| 10060-1HCP | 12A-1H | 60H-1 | 19,050 | 11,91 | 12,57 | 5,94 | 29,20 | 31,00 | 18,00 | 3,25 |
| 10080-1HCP | 16A-1H | 80H-1 | 25,400 | 15,88 | 15,75 | 7,92 | 36,20 | 37,70 | 24,00 | 4,00 |
| 100100-1HCP | 20A-1H | 100H-1 | 31,750 | 19,05 | 18,90 | 9,53 | 43,60 | 46,90 | 30,00 | 4,80 |
| 100120-1HCP | 24A-1H | 120H-1 | 38,100 | 22,23 | 22,22 | 11,10 | 53,50 | 57,50 | 35,70 | 5,60 |
| 100140-1HCP | 28A-1H | 140H-1 | 44,450 | 25,40 | 25,22 | 12,70 | 57,60 | 62,20 | 41,00 | 6,40 |
| 100160-1HCP | 32A-1H | 160H-1 | 50,800 | 28,58 | 31,55 | 14,27 | 68,20 | 73,00 | 47,80 | 7,20 |
| 100180-1HCP | 36A-1H | 180H-1 | 57,150 | 35,71 | 35,48 | 17,46 | 75,90 | 81,60 | 53,60 | 8,00 |
| 100200-1HCP | 40A-1H | 200H-1 | 63,500 | 39,68 | 37,85 | 19,85 | 86,60 | 93,50 | 60,00 | 9,50 |
| 100240-1HCP | 48A-1H | 240H-1 | 76,200 | 47,63 | 47,35 | 23,81 | 109,60 | 115,90 | 72,39 | 12,70 |

* Bush chain: d1 in the table indicates the external diameter of the bush.



| Ultimate tensile strength | Average tensile strength | Weight per meter | Available chain parts | | | | | | |
|---------------------------|--------------------------|------------------|-----------------------|---|---|---|---|---|--|
| Q min | Q0 | q | E | S | L | C | A | B | |
| kN/lbf | kN | kg/m | | | | | | | |
| 7,90/1795 | 10,8 | 0,41 | X | | | | X | | |
| 14,10/3205 | 19,1 | 0,82 | X | | | | X | | |
| 22,20/5045 | 30,2 | 1,25 | X | | | | X | | |
| 31,80/7227 | 42,7 | 1,87 | X | | | | X | | |
| 56,70/12886 | 71,4 | 3,10 | X | | | | X | | |
| 88,50/20114 | 112,4 | 4,52 | | X | | | X | | |
| 127,00/28864 | 160,9 | 6,60 | | X | | | X | | |
| 172,40/39182 | 217,3 | 8,30 | | X | | | X | | |
| 226,80/51545 | 285,8 | 10,30 | | X | | | X | | |
| 281,0/63682 | 341,8 | 14,83 | | X | | | X | | |
| 353,80/80409 | 444,5 | 19,16 | | X | | | X | | |
| 510,30/115977 | 622,5 | 30,40 | | X | | | X | | |



Donghua's Heavy Duty Series are designed for tough and demanding applications and environments. The increased plate thickness offers higher fatigue resistance. In combination with straight side plates it offers good wear resistant properties for conveyor applications. Donghua CP roller chains are built with hard chromized pins. The surface hardness is more than 1100 HV10 offering a +30% higher wear resistance than standard case hardened pins. Donghua CP roller chains are used for tough environments, high speed, and high frequency of movement in the bearing area resisting wear much better than case hardened pins. In combination with highly sophisticated lubricant this technology brings a unique performance in wear resistance. All Donghua roller chains are: Pre-loaded, Fatigue resistant, Wear resistant and Pre-lubricated. Donghua simplex, duplex and triplex roller chains are manufactured according to ISO 606 DIN8187, standard pre-loaded, pre-lubricated, do have seamless rollers and are marked with production batch code number for complete traceability. All Donghua roller chains are sealed in plastic bags and packed in cardboard boxes with clear ISO 606 DIN descriptions and safety instructions. Standard packaging size is 5 meter box, reels are available on request. Cut to length service is available on request. Several test certificates like breaking load, length tolerance and material analyses are possible and available on request. Rollers chains which are needed for 'run as pairs' applications can be matched as pairs on request. DIN, 1/2DIN and 1/3DIN length tolerance are possible, please ask us for a quotation. For high temperature, low temperature, food application or special environments different kind of special lubricants are available. Please ask our sales team for any special needs. For drive chain calculation and right dimension check, please contact our engineering department, also see drive chain calculation data sheet on page 301. By filling this data sheet and sending this to our engineering department you will receive a detailed drive chain calculation including life time expectation. Sprockets are available for all roller chains, with pilot bore, fixed bore, keyway, setscrew or bearing bore with grooves. Standard toothing, hardened toothing or special toothing are possible with pilot bore, fixed bore or taper bush. Chain tools, tensioners and chain lubricants please see page 302-310.

Solution range

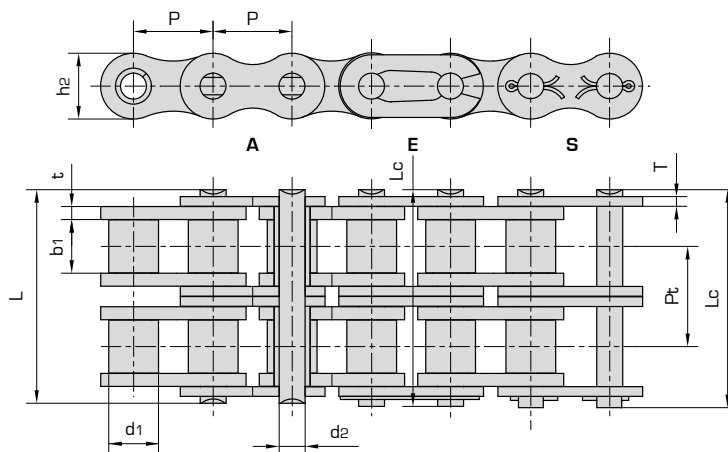
Short pitch heavy duty precision roller chains (A series)

heavy duty series with hard chromized pins

Duplex roller chains & bush chains

| Part nr. | DIN/ISO 606 Chain no. | ANSI Chain no. | Pitch | Roller diameter | Width between inner plates | Pin diameter | Pin length | | Inner plate depth | Plate thickness | Transverse pitch |
|-------------|-----------------------------|-------------------|--------|--------------------|-------------------------------------|-----------------|------------|--------|-------------------------|--------------------|---------------------|
| | | | | | | | L max | Lc max | | | |
| | | | | | | | P | d1 max | | | |
| mm | | mm | | mm | | mm | | mm | | mm | |
| 10060-2HCP | 12A-2H | 60H-2 | 19,050 | 11,91 | 12,57 | 5,94 | 48,8 | 50,5 | 18,00 | 2,42 | 22,78 |
| 10080-2HCP | 16A-2H | 80H-2 | 25,400 | 15,88 | 15,75 | 7,92 | 62,7 | 64,3 | 24,00 | 3,25 | 29,29 |
| 100100-2HCP | 20A-2H | 100H-2 | 31,750 | 19,05 | 18,90 | 9,53 | 76,4 | 80,5 | 30,00 | 4,00 | 35,76 |
| 100120-2HCP | 24A-2H | 120H-2 | 38,100 | 22,23 | 25,22 | 11,10 | 95,8 | 99,7 | 35,70 | 4,80 | 45,44 |
| 100140-2HCP | 28A-2H | 140H-2 | 44,450 | 25,40 | 25,22 | 12,70 | 103,3 | 107,9 | 41,00 | 5,60 | 48,87 |
| 100160-2HCP | 32A-2H | 160H-2 | 50,800 | 28,58 | 31,55 | 14,27 | 123,3 | 128,1 | 47,80 | 6,40 | 58,55 |
| 100180-2HCP | 36A-2H | 180H-2 | 57,150 | 35,71 | 35,48 | 17,46 | 138,6 | 144,4 | 53,60 | 7,20 | 65,84 |
| 100200-2HCP | 40A-2H | 200H-2 | 63,500 | 39,68 | 37,85 | 19,85 | 151,9 | 158,8 | 60,00 | 8,00 | 71,55 |

* Bush chain: d1 in the table indicates the external diameter of the bush.



| Ultimate tensile strength | Average tensile strength | Weight per meter | Available chain parts | | | | | |
|---------------------------|--------------------------|------------------|-----------------------|---|---|---|---|---|
| Q min | Q0 | q | | | | | | |
| kN/lbf | kN | kg/m | E | S | L | C | A | |
| 63,60/14455 | 84,5 | 2,92 | X | | | | | X |
| 113,40/25773 | 145,3 | 5,15 | X | | | | | X |
| 177,00/40227 | 225,9 | 7,80 | | X | | | | X |
| 254,00/57727 | 322,7 | 11,70 | | X | | | | X |
| 344,80/78364 | 437,7 | 15,14 | | X | | | | X |
| 453,60/103091 | 571,6 | 20,14 | | X | | | | X |
| 560,50/127386 | 680,0 | 29,22 | | X | | | | X |
| 707,60/160818 | 894,9 | 32,24 | | X | | | | X |



Donghua's Heavy Duty Series are designed for tough and demanding applications and environments. The increased plate thickness offers higher fatigue resistance. In combination with straight side plates it offers good wear resistant properties for conveyor applications. Donghua CP roller chains are built with hard chromized pins. The surface hardness is more than 1100 HV10 offering a +30% higher wear resistance than standard case hardened pins. Donghua CP roller chains are used for tough environments, high speed, and high frequency of movement in the bearing area resisting wear much better than case hardened pins. In combination with highly sophisticated lubricant this technology brings a unique performance in wear resistance. All Donghua roller chains are: Pre-loaded, Fatigue resistant, Wear resistant and Pre-lubricated. Donghua simplex, duplex and triplex roller chains are manufactured according to ISO 606 DIN8187, standard pre-loaded, pre-lubricated, do have seamless rollers and are marked with production batch code number for complete traceability. All Donghua roller chains are sealed in plastic bags and packed in cardboard boxes with clear ISO 606 DIN descriptions and safety instructions. Standard packaging size is 5 meter box, reels are available on request. Cut to length service is available on request. Several test certificates like breaking load, length tolerance and material analyses are possible and available on request. Rollers chains which are needed for 'run as pairs' applications can be matched as pairs on request. DIN, 1/2DIN and 1/3DIN length tolerance are possible, please ask us for a quotation. For high temperature, low temperature, food application or special environments different kind of special lubricants are available. Please ask our sales team for any special needs. For drive chain calculation and right dimension check, please contact our engineering department, also see drive chain calculation data sheet on page 301. By filling this data sheet and sending this to our engineering department you will receive a detailed drive chain calculation including life time expectation. Sprockets are available for all roller chains, with pilot bore, fixed bore, keyway, setscrew or bearing bore with grooves. Standard toothing, hardened toothing or special toothing are possible with pilot bore, fixed bore or taper bush. Chain tools, tensioners and chain lubricants please see page 302-310.

Solution range

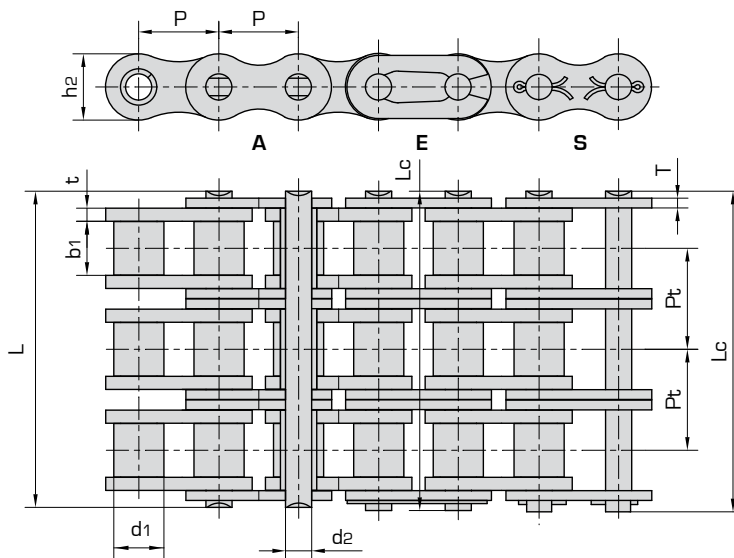
Short pitch heavy duty precision roller chains (A series)

heavy duty series with hard chromized pins

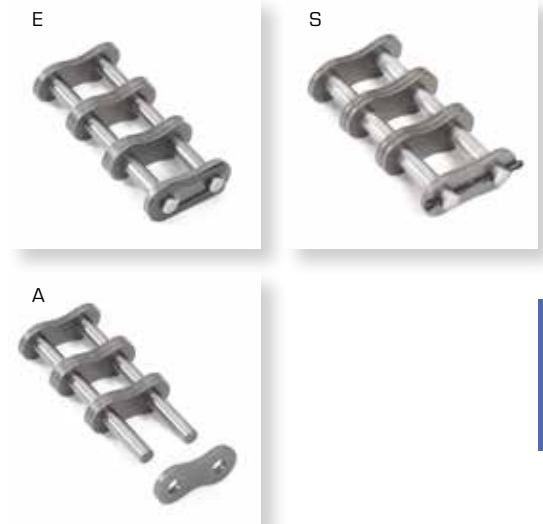
Triplex roller chains & bush chains

| Part nr. | DIN/ISO 606 Chain no. | ANSI Chain no. | Pitch | Roller diameter | Width between inner plates | Pin diameter | Pin length | | Inner plate depth | Plate thickness | Transverse pitch |
|-------------|-----------------------------|-------------------|--------|--------------------|-------------------------------------|-----------------|------------|--------|-------------------------|--------------------|---------------------|
| | | | | | | | L max | Lc max | | | |
| | | | | | | | P | d1 max | | | |
| mm | mm | mm | mm | mm | mm | mm | mm | mm | mm | | |
| 10060-3HCP | 12A-3H | 60H-3 | 19,050 | 11,91 | 12,57 | 5,94 | 71,5 | 73,3 | 18,00 | 2,42 | 22,78 |
| 10080-3HCP | 16A-3H | 80H-3 | 25,400 | 15,88 | 15,75 | 7,92 | 91,7 | 93,6 | 24,00 | 3,25 | 29,29 |
| 100100-3HCP | 20A-3H | 100H-3 | 31,750 | 19,05 | 18,90 | 9,53 | 112,2 | 116,3 | 30,00 | 4,00 | 35,76 |
| 100120-3HCP | 24A-3H | 120H-3 | 38,100 | 22,23 | 25,22 | 11,10 | 141,4 | 145,2 | 35,70 | 4,80 | 45,44 |
| 100140-3HCP | 28A-3H | 140H-3 | 44,450 | 25,40 | 25,22 | 12,70 | 152,2 | 156,8 | 41,00 | 5,60 | 48,87 |
| 100160-3HCP | 32A-3H | 160H-3 | 50,800 | 28,58 | 31,55 | 14,27 | 181,8 | 186,6 | 47,80 | 6,40 | 58,55 |
| 100180-3HCP | 36A-3H | 180H-3 | 57,150 | 35,71 | 35,48 | 17,46 | 204,4 | 210,2 | 53,60 | 7,20 | 65,84 |
| 100200-3HCP | 40A-3H | 200H-3 | 63,500 | 39,68 | 37,85 | 19,85 | 223,5 | 230,4 | 60,00 | 8,00 | 71,55 |

* Bush chain: d1 in the table indicates the external diameter of the bush.



| Ultimate tensile strength | Average tensile strength | Weight per meter | Available chain parts | | | | |
|---------------------------|--------------------------|------------------|-----------------------|---|---|---|---|
| Q min | Q0 | q | | | | | |
| kN/lbf | kN | kg/m | E | S | L | C | A |
| 95,4/21682 | 113,9 | 4,54 | X | | | | X |
| 170,1/38659 | 203,5 | 7,89 | X | | | | X |
| 265,5/60341 | 314,8 | 11,77 | | X | | | X |
| 381,0/86591 | 444,7 | 17,53 | | X | | | X |
| 517,2/117545 | 598,4 | 22,20 | | X | | | X |
| 680,4/154636 | 787,3 | 30,02 | | X | | | X |
| 840,7/191068 | 1011,0 | 38,22 | | X | | | X |
| 1061,4/241227 | 1228,2 | 49,03 | | X | | | X |



Donghua's Heavy Duty Series are designed for tough and demanding applications and environments. The increased plate thickness offers higher fatigue resistance. In combination with straight side plates it offers good wear resistant properties for conveyor applications. Donghua CP roller chains are built with hard chromized pins. The surface hardness is more than 1100 HV10 offering a +30% higher wear resistance than standard case hardened pins. Donghua CP roller chains are used for tough environments, high speed, and high frequency of movement in the bearing area resisting wear much better than case hardened pins. In combination with highly sophisticated lubricant this technology brings a unique performance in wear resistance. All Donghua roller chains are: Pre-loaded, Fatigue resistant, Wear resistant and Pre-lubricated. Donghua simplex, duplex and triplex roller chains are manufactured according to ISO 606 DIN8187, standard pre-loaded, pre-lubricated, do have seamless rollers and are marked with production batch code number for complete traceability. All Donghua roller chains are sealed in plastic bags and packed in cardboard boxes with clear ISO 606 DIN descriptions and safety instructions. Standard packaging size is 5 meter box, reels are available on request. Cut to length service is available on request. Several test certificates like breaking load, length tolerance and material analyses are possible and available on request. Rollers chains which are needed for 'run as pairs' applications can be matched as pairs on request. DIN, 1/2DIN and 1/3DIN length tolerance are possible, please ask us for a quotation. For high temperature, low temperature, food application or special environments different kind of special lubricants are available. Please ask our sales team for any special needs. For drive chain calculation and right dimension check, please contact our engineering department, also see drive chain calculation data sheet on page 301. By filling this data sheet and sending this to our engineering department you will receive a detailed drive chain calculation including life time expectation. Sprockets are available for all roller chains, with pilot bore, fixed bore, keyway, setscrew or bearing bore with grooves. Standard toothing, hardened toothing or special toothing are possible with pilot bore, fixed bore or taper bush. Chain tools, tensioners and chain lubricants please see page 302-310.

Solution Range

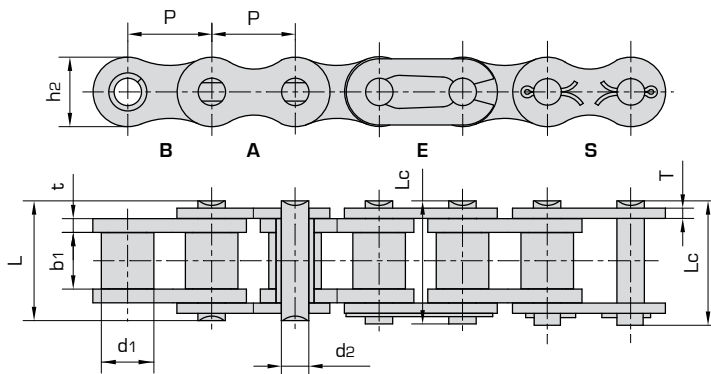
Short pitch heavy duty precision roller chains (A series)

heavy duty series

Simplex roller chains & bush chains

| Part nr. | DIN/ISO 606 Chain no. | ANSI Chain no. | Pitch | Roller diameter | Width between inner plates | Pin diameter | Pin length | | Inner plate depth | Plate thickness | |
|------------|-----------------------------|-------------------|--------|--------------------|-------------------------------------|-----------------|------------|--------|-------------------------|--------------------|----|
| | | | | | | | L max | Lc max | | | |
| | | | P | d1 max | b1 min | d2 max | L max | Lc max | h2 max | T max | |
| | | | mm | mm | mm | mm | mm | mm | mm | mm | mm |
| 10050-1HV | 10A-1HV | 50HV-1 | 15,875 | 10,16 | 9,40 | 5,08 | 22,10 | 23,40 | 15,09 | 2,42 | |
| 10060-1HV | 12A-1HV | 60HV-1 | 19,050 | 11,91 | 12,57 | 5,94 | 29,20 | 31,00 | 18,00 | 3,25 | |
| 10080-1HV | 16A-1HV | 80HV-1 | 25,400 | 15,88 | 15,75 | 7,92 | 36,20 | 37,70 | 24,00 | 4,00 | |
| 100100-1HV | 20A-1HV | 100HV-1 | 31,750 | 19,05 | 18,90 | 9,53 | 43,60 | 46,90 | 30,00 | 4,80 | |
| 100120-1HV | 24A-1HV | 120HV-1 | 38,100 | 22,23 | 25,22 | 11,10 | 53,50 | 57,50 | 35,70 | 5,60 | |
| 100140-1HV | 28A-1HV | 140HV-1 | 44,450 | 25,40 | 25,22 | 12,70 | 57,60 | 62,20 | 41,00 | 6,40 | |
| 100160-1HV | 32A-1HV | 160HV-1 | 50,800 | 28,58 | 31,55 | 14,27 | 68,20 | 73,00 | 47,80 | 7,20 | |

* Bush chain: d1 in the table indicates the external diameter of the bush.



| Ultimate tensile strength | Average tensile strength | Weight per meter | Available chain parts | | | | | |
|---------------------------|--------------------------|------------------|-----------------------|---|---|---|---|---|
| Q min | Q0 | q | E | S | L | C | A | B |
| kN/lbf | kN | kg/m | | | | | | |
| 22,20/5045 | 30,2 | 1,25 | X | | | | X | |
| 31,80/7227 | 42,7 | 1,87 | X | | | | X | |
| 56,70/12886 | 71,4 | 3,10 | X | | | | X | |
| 88,50/20114 | 112,4 | 4,52 | | X | | | X | |
| 127,00/28864 | 160,9 | 6,60 | | X | | | X | |
| 172,40/39182 | 217,3 | 8,30 | | X | | | X | |
| 226,80/51545 | 285,8 | 10,30 | | X | | | X | |



Solution range



All Donghua HV Series roller chains provide up to 20% higher Tensile Strength than the standard ANSI series by using through-hardened pins and links plates. HV Series roller chains also provide a higher shock load resistance and are best suited for low operating speeds - up to 50 m/min. Dimensions are identical to the H-Series roller chain. All Donghua roller chains are: Pre-loaded, Fatigue resistant, Wear resistant and Pre-lubricated. Donghua simplex, duplex and triplex roller chains are manufactured according to ISO 606 DIN8187, standard pre-loaded, pre-lubricated, do have seamless rollers and are marked with production batch code number for complete traceability. All Donghua roller chains are sealed in plastic bags and packed in cardboard boxes with clear ISO 606 DIN descriptions and safety instructions. Standard packaging size is 5 meter box, reels are available on request. Cut to length service is available on request. Several test certificates like breaking load, length tolerance and material analyses are possible and available on request. Rollers chains which are needed for 'run as pairs' applications can be matched as pairs on request. DIN, 1/2DIN and 1/3DIN length tolerance are possible, please ask us for a quotation. For high temperature, low temperature, food application or special environments different kind of special lubricants are available. Please ask our sales team for any special needs. For drive chain calculation and right dimension check, please contact our engineering department, also see drive chain calculation data sheet on page 301. By filling this data sheet and sending this to our engineering department you will receive a detailed drive chain calculation including life time expectation. Sprockets are available for all roller chains, with pilot bore, fixed bore, keyway, setscrew or bearing bore with grooves. Standard toothing, hardened toothing or special toothing are possible with pilot bore, fixed bore or taper bush. Chain tools, tensioners and chain lubricants please see page 302-310.

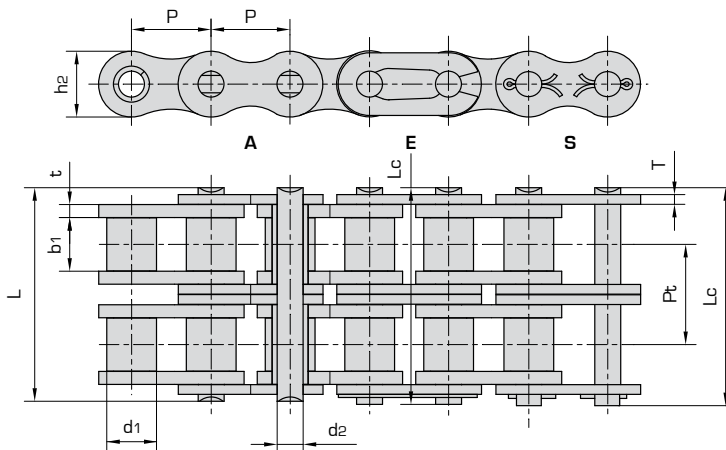
Short pitch heavy duty precision roller chains (A series)

heavy duty series

Duplex roller chains & bush chains

| Part nr. | DIN/ISO 606 Chain no. | ANSI Chain no. | Pitch | Roller diameter | Width between inner plates | Pin diameter | Pin length | | Inner plate depth | Plate thickness | Transverse pitch |
|------------|-----------------------------|-------------------|--------|--------------------|-------------------------------------|-----------------|------------|--------|-------------------------|--------------------|---------------------|
| | | | | | | | L max | Lc max | | | |
| | | | | | | | P | d1 max | | | |
| mm | | mm | | mm | | mm | | mm | | mm | |
| 10060-2HV | 12A-2HV | 60HV-2 | 19,050 | 11,91 | 12,57 | 5,94 | 48,8 | 50,5 | 18,00 | 2,42 | 22,78 |
| 10080-2HV | 16A-2HV | 80HV-2 | 25,400 | 15,88 | 15,75 | 7,92 | 62,7 | 64,3 | 24,00 | 3,25 | 29,29 |
| 100100-2HV | 20A-2HV | 100HV-2 | 31,750 | 19,05 | 18,90 | 9,53 | 76,4 | 80,5 | 30,00 | 4,00 | 35,76 |
| 100120-2HV | 24A-2HV | 120HV-2 | 38,100 | 22,23 | 25,22 | 11,10 | 95,8 | 99,7 | 35,70 | 4,80 | 45,44 |
| 100140-2HV | 28A-2HV | 140HV-2 | 44,450 | 25,40 | 25,22 | 12,70 | 103,3 | 107,9 | 41,00 | 5,60 | 48,87 |
| 100160-2HV | 32A-2HV | 160HV-2 | 50,800 | 28,58 | 31,55 | 14,27 | 123,3 | 128,1 | 47,80 | 6,40 | 58,55 |

* Bush chain: d1 in the table indicates the external diameter of the bush.



| Ultimate tensile strength | Average tensile strength | Weight per meter | Available chain parts | | | | | |
|---------------------------|--------------------------|------------------|-----------------------|---|---|---|---|---|
| Q_{min} | Q_0 | q | | | | | | |
| kN/lbf | kN | kg/m | E | S | L | C | A | |
| 63,60/14455 | 82,1 | 2,92 | X | | | | | X |
| 113,40/25773 | 141,8 | 5,15 | X | | | | | X |
| 177,00/40227 | 219,4 | 7,80 | | X | | | | X |
| 254,00/57727 | 314,9 | 11,70 | | X | | | | X |
| 344,80/78364 | 427,5 | 15,14 | | X | | | | X |
| 453,60/103091 | 562,4 | 20,14 | | X | | | | X |



Solution range



All Donghua HV Series roller chains provide up to 20% higher Tensile Strength than the standard ANSI series by using through-hardened pins and links plates. HV Series roller chains also provide a higher shock load resistance and are best suited for low operating speeds - up to 50 m/min. Dimensions are identical to the H-Series roller chain. All Donghua roller chains are: Pre-loaded, Fatigue resistant, Wear resistant and Pre-lubricated. Donghua simplex, duplex and triplex roller chains are manufactured according to ISO 606 DIN8187, standard pre-loaded, pre-lubricated, do have seamless rollers and are marked with production batch code number for complete traceability. All Donghua roller chains are sealed in plastic bags and packed in cardboard boxes with clear ISO 606 DIN descriptions and safety instructions. Standard packaging size is 5 meter box, reels are available on request. Cut to length service is available on request. Several test certificates like breaking load, length tolerance and material analyses are possible and available on request. Rollers chains which are needed for 'run as pairs' applications can be matched as pairs on request. DIN, 1/2DIN and 1/3DIN length tolerance are possible, please ask us for a quotation. For high temperature, low temperature, food application or special environments different kind of special lubricants are available. Please ask our sales team for any special needs. For drive chain calculation and right dimension check, please contact our engineering department, also see drive chain calculation data sheet on page 301. By filling this data sheet and sending this to our engineering department you will receive a detailed drive chain calculation including life time expectation. Sprockets are available for all roller chains, with pilot bore, fixed bore, keyway, setscrew or bearing bore with grooves. Standard toothing, hardened toothing or special toothing are possible with pilot bore, fixed bore or taper bush. Chain tools, tensioners and chain lubricants please see page 302-310.

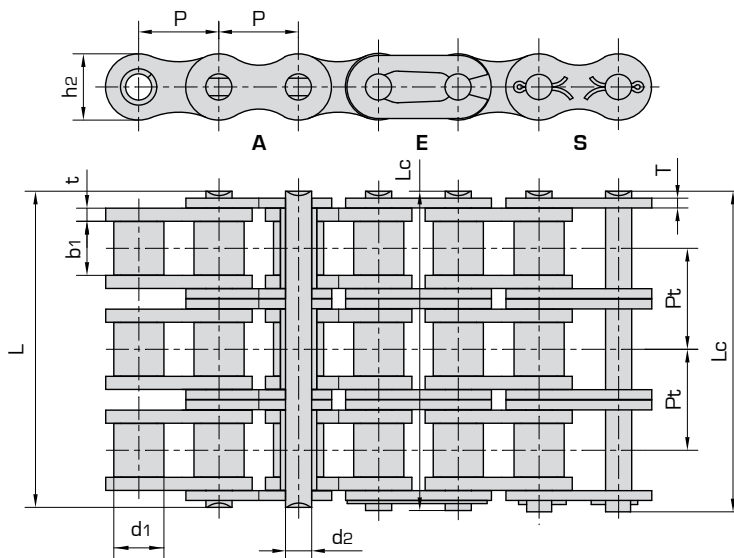
Short pitch heavy duty precision roller chains (A series)

heavy duty series

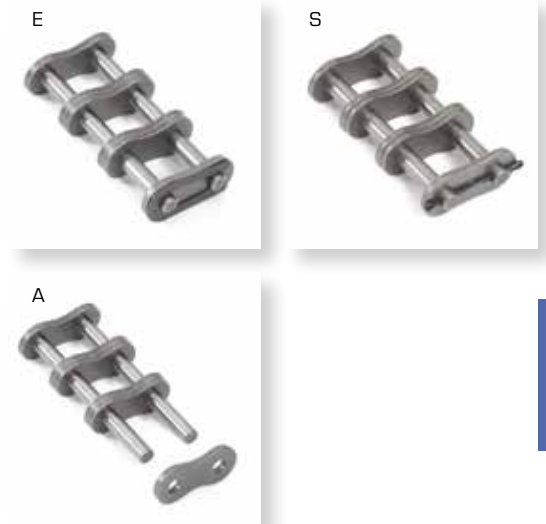
Triplex roller chains & bush chains

| Part nr. | DIN/ISO 606 Chain no. | ANSI Chain no. | Pitch | Roller diameter | Width between inner plates | Pin diameter | Pin length | | Inner plate depth | Plate thickness | Transverse pitch |
|------------|-----------------------------|-------------------|--------|--------------------|-------------------------------------|-----------------|------------|--------|-------------------------|--------------------|---------------------|
| | | | | | | | L max | Lc max | | | |
| | | | | | | | P | d1 max | | | |
| | | mm | | mm | | mm | | mm | | mm | |
| 10060-3HV | 12A-3HV | 60HV-3 | 19,050 | 11,91 | 12,57 | 5,94 | 71,5 | 73,3 | 18,00 | 2,42 | 22,78 |
| 10080-3HV | 16A-3HV | 80HV-3 | 25,400 | 15,88 | 15,75 | 7,92 | 91,7 | 93,6 | 24,00 | 3,25 | 29,29 |
| 100100-3HV | 20A-3HV | 100HV-3 | 31,750 | 19,05 | 18,90 | 9,53 | 112,2 | 116,3 | 30,00 | 4,00 | 35,76 |
| 100120-3HV | 24A-3HV | 120HV-3 | 38,100 | 22,23 | 25,22 | 11,10 | 141,4 | 145,2 | 35,70 | 4,80 | 45,44 |
| 100140-3HV | 28A-3HV | 140HV-3 | 44,450 | 25,40 | 25,22 | 12,70 | 152,2 | 156,8 | 41,00 | 5,60 | 48,87 |
| 100160-3HV | 32A-3HV | 160HV-3 | 50,800 | 28,58 | 31,55 | 14,27 | 181,8 | 186,6 | 47,80 | 6,40 | 58,55 |

* Bush chain: d1 in the table indicates the external diameter of the bush.



| Ultimate tensile strength | Average tensile strength | Weight per meter | Available chain parts | | | | |
|---------------------------|--------------------------|------------------|-----------------------|---|---|---|---|
| Q min | Q0 | q | E | S | L | C | A |
| kN/lbf | kN | kg/m | | | | | |
| 95,4/21682 | 111,1 | 4,54 | X | | | | X |
| 170,1/38659 | 198,4 | 7,89 | X | | | | X |
| 265,5/60341 | 309,6 | 11,77 | | X | | | X |
| 381,0/86591 | 437,2 | 17,53 | | X | | | X |
| 517,2/117545 | 593,3 | 22,20 | | X | | | X |
| 680,4/154636 | 780,6 | 30,02 | | X | | | X |



All Donghua HV Series roller chains provide up to 20% higher Tensile Strength than the standard ANSI series by using through-hardened pins and links plates. HV Series roller chains also provide a higher shock load resistance and are best suited for low operating speeds - up to 50 m/min. Dimensions are identical to the H-Series roller chain. All Donghua roller chains are: Pre-loaded, Fatigue resistant, Wear resistant and Pre-lubricated. Donghua simplex, duplex and triplex roller chains are manufactured according to ISO 606 DIN8187, standard pre-loaded, pre-lubricated, do have seamless rollers and are marked with production batch code number for complete traceability. All Donghua roller chains are sealed in plastic bags and packed in cardboard boxes with clear ISO 606 DIN descriptions and safety instructions. Standard packaging size is 5 meter box, reels are available on request. Cut to length service is available on request. Several test certificates like breaking load, length tolerance and material analyses are possible and available on request. Rollers chains which are needed for 'run as pairs' applications can be matched as pairs on request. DIN, 1/2DIN and 1/3DIN length tolerance are possible, please ask us for a quotation. For high temperature, low temperature, food application or special environments different kind of special lubricants are available. Please ask our sales team for any special needs. For drive chain calculation and right dimension check, please contact our engineering department, also see drive chain calculation data sheet on page 301. By filling this data sheet and sending this to our engineering department you will receive a detailed drive chain calculation including life time expectation. Sprockets are available for all roller chains, with pilot bore, fixed bore, keyway, setscrew or bearing bore with grooves. Standard toothing, hardened toothing or special toothing are possible with pilot bore, fixed bore or taper bush. Chain tools, tensioners and chain lubricants please see page 302-310.

Solution range

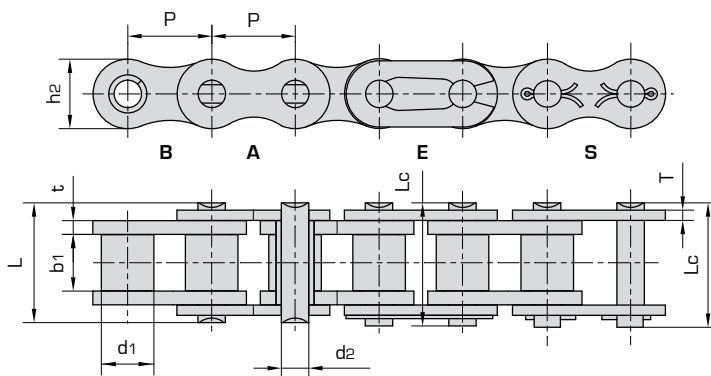
Short pitch heavy duty precision roller chains (A series)

heavy duty series with hard chromized pins

Simplex roller chains & bush chains

| Part nr. | DIN/ISO 606 Chain no. | ANSI Chain no. | Pitch | Roller diameter | Width between inner plates | Pin diameter | Pin length | | Inner plate depth | Plate thickness |
|--------------|-----------------------------|-------------------|--------|--------------------|-------------------------------------|-----------------|------------|--------|-------------------------|--------------------|
| | | | | | | | L max | Lc max | | |
| | | | P | d1 max | b1 min | d2 max | L max | Lc max | h2 max | T max |
| | | | mm | mm | mm | mm | mm | mm | mm | mm |
| 10050-1HVCP | 10A-1HV | 50HV-1 | 15,875 | 10,16 | 9,40 | 5,08 | 22,10 | 23,40 | 15,09 | 2,42 |
| 10060-1HVCP | 12A-1HV | 60HV-1 | 19,050 | 11,91 | 12,57 | 5,94 | 29,20 | 31,00 | 18,00 | 3,25 |
| 10080-1HVCP | 16A-1HV | 80HV-1 | 25,400 | 15,88 | 15,75 | 7,92 | 36,20 | 37,70 | 24,00 | 4,00 |
| 100100-1HVCP | 20A-1HV | 100HV-1 | 31,750 | 19,05 | 18,90 | 9,53 | 43,60 | 46,90 | 30,00 | 4,80 |
| 100120-1HVCP | 24A-1HV | 120HV-1 | 38,100 | 22,23 | 25,22 | 11,10 | 53,50 | 57,50 | 35,70 | 5,60 |
| 100140-1HVCP | 28A-1HV | 140HV-1 | 44,450 | 25,40 | 25,22 | 12,70 | 57,60 | 62,20 | 41,00 | 6,40 |
| 100160-1HVCP | 32A-1HV | 160HV-1 | 50,800 | 28,58 | 31,55 | 14,27 | 68,20 | 73,00 | 47,80 | 7,20 |

* Bush chain: d1 in the table indicates the external diameter of the bush.



| Ultimate tensile strength | Average tensile strength | Weight per meter | Available chain parts | | | | | |
|---------------------------|--------------------------|------------------|-----------------------|---|---|---|---|---|
| Q min | Q0 | q | | | | | | |
| kN/lbf | kN | kg/m | E | S | L | C | A | B |
| 22,20/5045 | 30,2 | 1,25 | X | | | | X | |
| 31,80/7227 | 42,7 | 1,87 | X | | | | X | |
| 56,70/12886 | 71,4 | 3,10 | X | | | | X | |
| 88,50/20114 | 112,4 | 4,52 | | X | | | X | |
| 127,00/28864 | 160,9 | 6,60 | | X | | | X | |
| 172,40/39182 | 217,3 | 8,30 | | X | | | X | |
| 226,80/51545 | 285,8 | 10,30 | | X | | | X | |



Solution range



All Donghua HV Series roller chains provides a up to 20% higher Tensile Strength than the standard ANSI series by using through-hardened HV Series roller chains which also provides a higher shock load resistance and is best suited for low operating speeds - up to 50 m/min. Dimensions Donghua CP roller chains are built with hard chromized pins. The surface hardness is more than 1100 HV10 offering a +30% higher wear resistance. Donghua CP roller chains are used for tough environments, high speed, high frequency of movement in the bearing area resisting wear. All Donghua roller chains are: Pre-loaded, Fatigue resistant, Wear resistant and Pre-lubricated. Donghua simplex, duplex and triplex roller chains are manufactured according to ISO 606 DIN8187, standard pre-loaded, pre-lubrication on request, do have seamless rollers and are marked with production batch code number for complete traceability. All Donghua roller chains are sealed in plastic bags and packed in cardboard boxes with clear ISO 606 DIN descriptions and safety instructions. Standard packaging size is 5 meter box, reels are available on request. Cut to length service is available on request. Several test certificates like breaking load, length tolerance and material analyses are possible and available on request. Rollers chains which are needed for 'run as pairs' applications can be matched as pairs on request. DIN, 1/2DIN and 1/3DIN length tolerance are possible, please ask us for a quotation. For high temperature, low temperature, food application or special environments different kind of special lubricants are available. Please ask our sales team for any special needs. For drive chain calculation and right dimension check, please contact our engineering department, also see drive chain calculation data sheet on page 301. By filling this data sheet and sending this to our engineering department you will receive a detailed drive chain calculation including life time expectation. Sprockets are available for all roller chains, with pilot bore, fixed bore, keyway, setscrew or bearing bore with grooves. Standard toothing, hardened toothing or special toothing are possible with pilot bore, fixed bore or taper bush. Chain tools, tensioners and chain lubricants please see page 302-310.

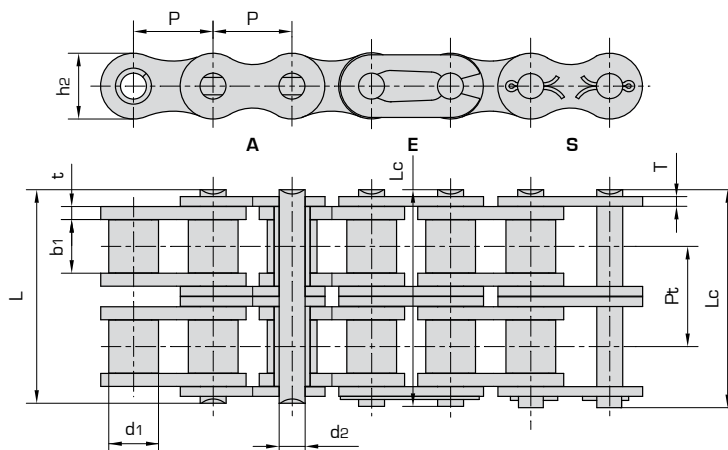
Short pitch heavy duty precision roller chains (A series)

heavy duty series with hard chromized pins

Duplex roller chains & bush chains

| Part nr. | DIN/ISO 606 Chain no. | ANSI Chain no. | Pitch | Roller diameter | Width between inner plates | Pin diameter | Pin length | | Inner plate depth | Plate thickness | Transverse pitch |
|--------------|-----------------------------|-------------------|--------|--------------------|-------------------------------------|-----------------|------------|--------|-------------------------|--------------------|---------------------|
| | | | | | | | L max | Lc max | | | |
| | | | P | d1 max | b1 min | d2 max | L max | Lc max | h2 max | T max | |
| | | | mm | mm | mm | mm | mm | mm | mm | mm | mm |
| 10060-2HVCP | 12A-2HV | 60HV-2 | 19,050 | 11,91 | 12,57 | 5,94 | 48,8 | 50,5 | 18,00 | 2,42 | 22,78 |
| 10080-2HVCP | 16A-2HV | 80HV-2 | 25,400 | 15,88 | 15,75 | 7,92 | 62,7 | 64,3 | 24,00 | 3,25 | 29,29 |
| 100100-2HVCP | 20A-2HV | 100HV-2 | 31,750 | 19,05 | 18,90 | 9,53 | 76,4 | 80,5 | 30,00 | 4,00 | 35,76 |
| 100120-2HVCP | 24A-2HV | 120HV-2 | 38,100 | 22,23 | 25,22 | 11,10 | 95,8 | 99,7 | 35,70 | 4,80 | 45,44 |
| 100140-2HVCP | 28A-2HV | 140HV-2 | 44,450 | 25,40 | 25,22 | 12,70 | 103,3 | 107,9 | 41,00 | 5,60 | 48,87 |
| 100160-2HVCP | 32A-2HV | 160HV-2 | 50,800 | 28,58 | 31,55 | 14,27 | 123,3 | 128,1 | 47,80 | 6,40 | 58,55 |

* Bush chain: d1 in the table indicates the external diameter of the bush.



| Ultimate tensile strength | Average tensile strength | Weight per meter | Available chain parts | | | | | |
|---------------------------|--------------------------|------------------|-----------------------|---|---|---|---|---|
| Q min | Q0 | q | | | | | | |
| kN/lbf | kN | kg/m | E | S | L | C | A | |
| 63,60/14455 | 82,1 | 2,92 | X | | | | | X |
| 113,40/25773 | 141,8 | 5,15 | X | | | | | X |
| 177,00/40227 | 219,4 | 7,80 | | X | | | | X |
| 254,00/57727 | 314,9 | 11,70 | | X | | | | X |
| 344,80/78364 | 427,5 | 15,14 | | X | | | | X |
| 453,60/103091 | 562,4 | 20,14 | | X | | | | X |



Solution range



All Donghua HV Series roller chains provides a up to 20% higher Tensile Strength than the standard ANSI series by using through-hardened HV Series roller chains which also provides a higher shock load resistance and is best suited for low operating speeds - up to 50 m/min. Dimensions Donghua CP roller chains are built with hard chromized pins. The surface hardness is more than 1100 HV10 offering a +30% higher wear resistance. Donghua CP roller chains are used for tough environments, high speed, high frequency of movement in the bearing area resisting wear. All Donghua roller chains are: Pre-loaded, Fatigue resistant, Wear resistant and Pre-lubricated. Donghua simplex, duplex and triplex roller chains are manufactured according to ISO 606 DIN8187, standard pre-loaded, pre-lubrication on request, do have seamless rollers and are marked with production batch code number for complete traceability. All Donghua roller chains are sealed in plastic bags and packed in cardboard boxes with clear ISO 606 DIN descriptions and safety instructions. Standard packaging size is 5 meter box, reels are available on request. Cut to length service is available on request. Several test certificates like breaking load, length tolerance and material analyses are possible and available on request. Rollers chains which are needed for 'run as pairs' applications can be matched as pairs on request. DIN, 1/2DIN and 1/3DIN length tolerance are possible, please ask us for a quotation. For high temperature, low temperature, food application or special environments different kind of special lubricants are available. Please ask our sales team for any special needs. For drive chain calculation and right dimension check, please contact our engineering department, also see drive chain calculation data sheet on page 301. By filling this data sheet and sending this to our engineering department you will receive a detailed drive chain calculation including life time expectation. Sprockets are available for all roller chains, with pilot bore, fixed bore, keyway, setscrew or bearing bore with grooves. Standard toothing, hardened toothing or special toothing are possible with pilot bore, fixed bore or taper bush. Chain tools, tensioners and chain lubricants please see page 302-310.

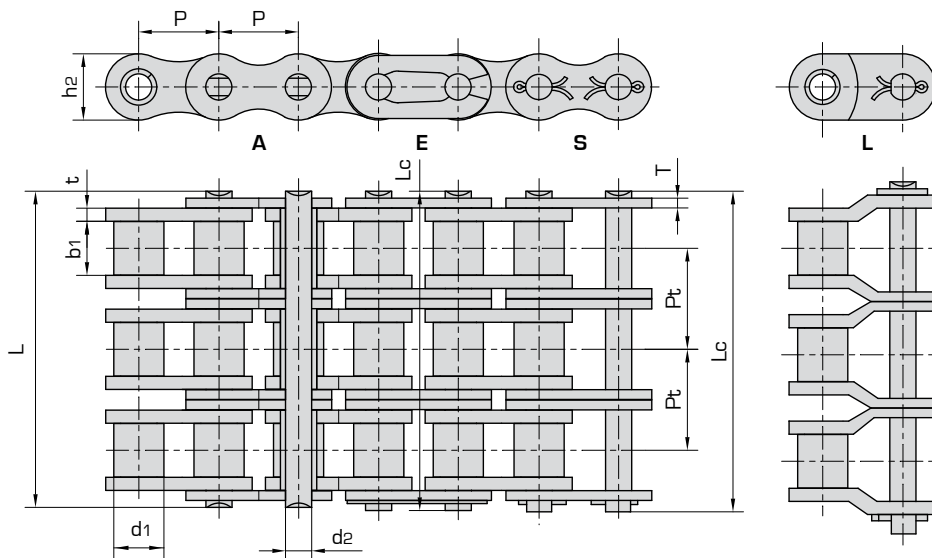
Short pitch heavy duty precision roller chains (A series)

heavy duty series with hard chromized pins

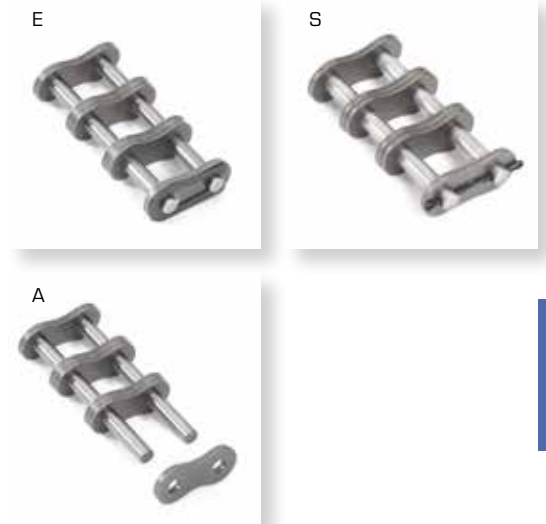
Triplex roller chains & bush chains

| Part nr. | DIN/ISO 606 Chain no. | ANSI Chain no. | Pitch | Roller diameter | Width between inner plates | Pin diameter | Pin length | | Inner plate depth | Plate thickness | Transverse pitch |
|--------------|-----------------------------|-------------------|--------|--------------------|-------------------------------------|-----------------|------------|--------|-------------------------|--------------------|---------------------|
| | | | P | d1 max | b1 min | d2 max | L max | Lc max | h2 max | T max | |
| | | | mm | mm | mm | mm | mm | mm | mm | mm | mm |
| 10060-3HVCP | 12A-3HV | 60HV-3 | 19,050 | 11,91 | 12,57 | 5,94 | 71,5 | 73,3 | 18,00 | 2,42 | 22,78 |
| 10080-3HVCP | 16A-3HV | 80HV-3 | 25,400 | 15,88 | 15,75 | 7,92 | 91,7 | 93,6 | 24,00 | 3,25 | 29,29 |
| 100100-3HVCP | 20A-3HV | 100HV-3 | 31,750 | 19,05 | 18,90 | 9,53 | 112,2 | 116,3 | 30,00 | 4,00 | 35,76 |
| 100120-3HVCP | 24A-3HV | 120HV-3 | 38,100 | 22,23 | 25,22 | 11,10 | 141,4 | 145,2 | 35,70 | 4,80 | 45,44 |
| 100140-3HVCP | 28A-3HV | 140HV-3 | 44,450 | 25,40 | 25,22 | 12,70 | 152,2 | 156,8 | 41,00 | 5,60 | 48,87 |
| 100160-3HVCP | 32A-3HV | 160HV-3 | 50,800 | 28,58 | 31,55 | 14,27 | 181,8 | 186,6 | 47,80 | 6,40 | 58,55 |

* Bush chain: d1 in the table indicates the external diameter of the bush.



| Ultimate tensile strength | Average tensile strength | Weight per meter | Available chain parts | | | | |
|---------------------------|--------------------------|------------------|-----------------------|---|---|---|---|
| Q min | Q0 | q | E | S | L | C | A |
| kN/lbf | kN | kg/m | | | | | |
| 95,4/21682 | 111,1 | 4,54 | X | | | | X |
| 170,1/38659 | 198,4 | 7,89 | X | | | | X |
| 265,5/60341 | 309,6 | 11,77 | | X | | | X |
| 381,0/86591 | 437,2 | 17,53 | | X | | | X |
| 517,2/117545 | 593,3 | 22,20 | | X | | | X |
| 680,4/154636 | 780,6 | 30,02 | | X | | | X |



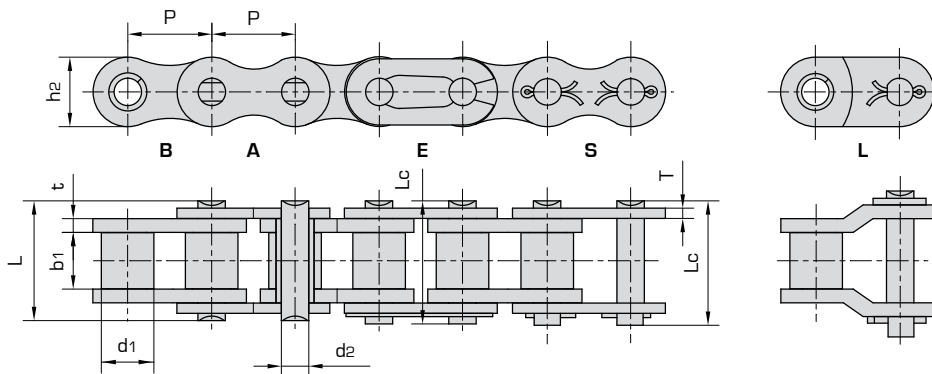
All Donghua HV Series roller chains provides a up to 20% higher Tensile Strength than the standard ANSI series by using through-hardened HV Series roller chains which also provides a higher shock load resistance and is best suited for low operating speeds - up to 50 m/min. Dimensions Donghua CP roller chains are built with hard chromized pins. The surface hardness is more than 1100 HV10 offering a +30% higher wear resistance. Donghua CP roller chains are used for tough environments, high speed, high frequency of movement in the bearing area resisting wear. All Donghua roller chains are: Pre-loaded, Fatigue resistant, Wear resistant and Pre-lubricated. Donghua simplex, duplex and triplex roller chains are manufactured according to ISO 606 DIN8187, standard pre-loaded, pre-lubrication on request, do have seamless rollers and are marked with production batch code number for complete traceability. All Donghua roller chains are sealed in plastic bags and packed in cardboard boxes with clear ISO 606 DIN descriptions and safety instructions. Standard packaging size is 5 meter box, reels are available on request. Cut to length service is available on request. Several test certificates like breaking load, length tolerance and material analyses are possible and available on request. Rollers chains which are needed for 'run as pairs' applications can be matched as pairs on request. DIN, 1/2DIN and 1/3DIN length tolerance are possible, please ask us for a quotation. For high temperature, low temperature, food application or special environments different kind of special lubricants are available. Please ask our sales team for any special needs. For drive chain calculation and right dimension check, please contact our engineering department, also see drive chain calculation data sheet on page 301. By filling this data sheet and sending this to our engineering department you will receive a detailed drive chain calculation including life time expectation. Sprockets are available for all roller chains, with pilot bore, fixed bore, keyway, setscrew or bearing bore with grooves. Standard toothing, hardened toothing or special toothing are possible with pilot bore, fixed bore or taper bush. Chain tools, tensioners and chain lubricants please see page 302-310.

Short pitch heavy duty precision roller chains (A series)

heavy duty SP series high strength

Simplex roller chains & bush chains

| Part nr. | DIN/ISO 606 Chain no. | ANSI Chain no. | Pitch | Roller diameter | Width between inner plates | Pin diameter | Pin length | | Inner plate depth | Plate thickness |
|-------------------|-----------------------------|-------------------|--------|--------------------|-------------------------------------|-----------------|------------|--------|-------------------------|--------------------|
| | | | | | | | L max | Lc max | | |
| | | | P | d1 max | b1 min | d2 max | L max | Lc max | h2 max | T max |
| | | | mm | mm | mm | mm | mm | mm | mm | mm |
| 10080-1SP | 16A-1 | 80 | 25,400 | 15,88 | 15,75 | 7,94 | 32,70 | 36,50 | 24,10 | 3,20 |
| 100100-1SP | 20A-1 | 100 | 31,750 | 19,05 | 18,95 | 9,54 | 40,40 | 44,70 | 30,10 | 4,00 |
| 100120-1SP | 24A-1 | 120 | 38,100 | 22,23 | 25,22 | 11,11 | 50,30 | 54,30 | 36,20 | 4,80 |
| 100140-1SP | 28A-1 | 140 | 44,450 | 25,40 | 25,22 | 12,71 | 54,40 | 59,00 | 42,20 | 5,60 |
| 100160-1SP | 32A-1 | 160 | 50,800 | 28,58 | 31,55 | 14,29 | 64,80 | 69,60 | 48,20 | 6,40 |
| 100200-1SP | 40A-1 | 200 | 63,500 | 39,68 | 37,85 | 19,85 | 80,30 | 87,20 | 60,30 | 8,00 |



| Ultimate tensile strength | Average tensile strength | Weight per meter | Available chain parts | | | | | |
|---------------------------|--------------------------|------------------|-----------------------|---|---|---|---|---|
| Q min | Q0 | q | | | | | | |
| kN/lbf | kN | kg/m | E | S | L | C | A | B |
| 77,5/17434 | 85,3 | 2,86 | X | | X | X | X | |
| 115,5/25982 | 127,0 | 4,21 | | X | X | | X | |
| 165,0/37118 | 186,0 | 6,36 | | X | X | | X | |
| 222,7/50098 | 245,0 | 8,04 | | X | X | | X | |
| 285,5/64215 | 314,0 | 10,80 | | X | X | | X | |
| 445,5/100208 | 490,0 | 18,00 | | X | X | | X | |



Solution range

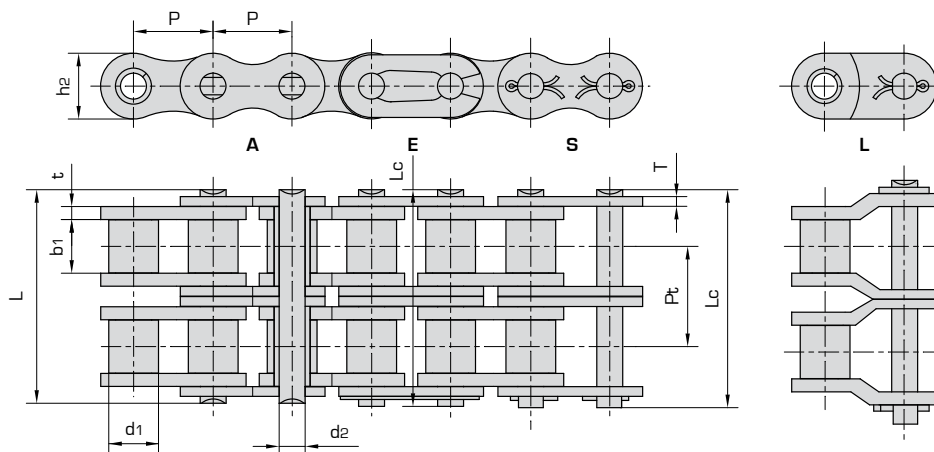
The Donghua SP Series dimensions are identical to those of the standard ANSI Series roller chains. The special design of the SP Series link plate delivers exceptional performance. The pitch holes are critically formed and ball drifted and the pins are through-hardened for greater shock resistance (25% to 30%). SP Series roller chains offer 10% higher tensile strength than the equivalent size standard ANSI Series roller chain. The Donghua SP Series can be used to replace the next larger pitch size of standard ANSI Series, making them ideal for applications where chain space is limited. Best suited for low speed operating conditions - up to 50 m/min. All Donghua roller chains are: Pre-loaded, Fatigue resistant, Wear resistant and Pre-lubricated. Donghua simplex, duplex and triplex roller chains are manufactured according to ISO 606 DIN8188, standard pre-loaded, pre-lubricated, do have seamless rollers and are marked with production batch code number for complete traceability. All Donghua roller chains are sealed in plastic bags and packed in cardboard boxes with clear ISO 606 DIN descriptions and safety instructions. Standard packaging size is 5 meter box, reels are available on request. Cut to length service is available on request. Several test certificates like breaking load, length tolerance and material analyses are possible and available on request. Rollers chains which are needed for 'run as pairs' applications can be matched as pairs on request. DIN, 1/2DIN and 1/3DIN length tolerance are possible, please ask us for a quotation. For high temperature, low temperature, food application or special environments different kind of special lubricants are available. Please ask our sales team for any special needs. For drive chain calculation and right dimension check, please contact our engineering department, also see drive chain calculation data sheet on page 301. By filling this data sheet and sending this to our engineering department you will receive a detailed drive chain calculation including life time expectation. Sprockets are available for all roller chains, with pilot bore, fixed bore, keyway, setscrew or bearing bore with grooves. Standard toothing, hardened toothing or special toothing are possible with pilot bore, fixed bore or taper bush. Chain tools, tensioners and chain lubricants please see page 302-310.

Short pitch heavy duty precision roller chains (A series)

heavy duty SP series high strength

Duplex roller chains & bush chains

| Part nr. | DIN/ISO 606 Chain no. | ANSI Chain no. | Pitch | Roller diameter | Width between inner plates | Pin diameter | Pin length | | Inner plate depth | Plate thickness | Transverse pitch |
|-------------------|-----------------------------|-------------------|--------|--------------------|-------------------------------------|-----------------|------------|--------|-------------------------|--------------------|---------------------|
| | | | P | d1 max | b1 min | d2 max | L max | Lc max | h2 max | T max | |
| | | | mm | mm | mm | mm | mm | mm | mm | mm | mm |
| 10080-2SP | 16A-2 | 80-2 | 25,400 | 15,88 | 15,75 | 7,94 | 62,7 | 65,8 | 24,10 | 3,20 | 29,29 |
| 100100-2SP | 20A-2 | 100-2 | 31,750 | 19,05 | 18,95 | 9,54 | 76,4 | 80,5 | 30,10 | 4,00 | 35,76 |
| 100120-2SP | 24A-2 | 120-2 | 38,100 | 22,23 | 22,22 | 11,11 | 95,8 | 99,7 | 36,20 | 4,80 | 45,34 |
| 100140-2SP | 28A-2 | 140-2 | 44,450 | 25,40 | 25,22 | 12,71 | 103,3 | 107,9 | 42,20 | 5,60 | 48,87 |
| 100160-2SP | 32A-2 | 160-2 | 50,800 | 28,58 | 31,55 | 14,29 | 123,3 | 128,1 | 48,20 | 6,40 | 58,55 |
| 100200-2SP | 40A-2 | 200-2 | 63,500 | 39,68 | 37,85 | 19,85 | 151,9 | 158,8 | 60,30 | 8,00 | 71,55 |



| Ultimate tensile strength | Average tensile strength | Weight per meter | Available chain parts | | | | |
|---------------------------|--------------------------|------------------|-----------------------|---|---|---|---|
| Q min | Q0 | q | E | S | L | C | A |
| kN/lbf | kN | kg/m | | | | | |
| 155,0/34868 | 170,6 | 5,68 | X | | X | X | X |
| 231,0/51965 | 255,0 | 8,34 | | X | X | | X |
| 339,0/76260 | 373,0 | 12,63 | | X | X | | X |
| 445,5/100218 | 490,0 | 15,92 | | X | X | | X |
| 571,0/128430 | 628,0 | 21,43 | | X | X | | X |
| 892,0/200621 | 981,0 | 35,00 | | X | X | | X |



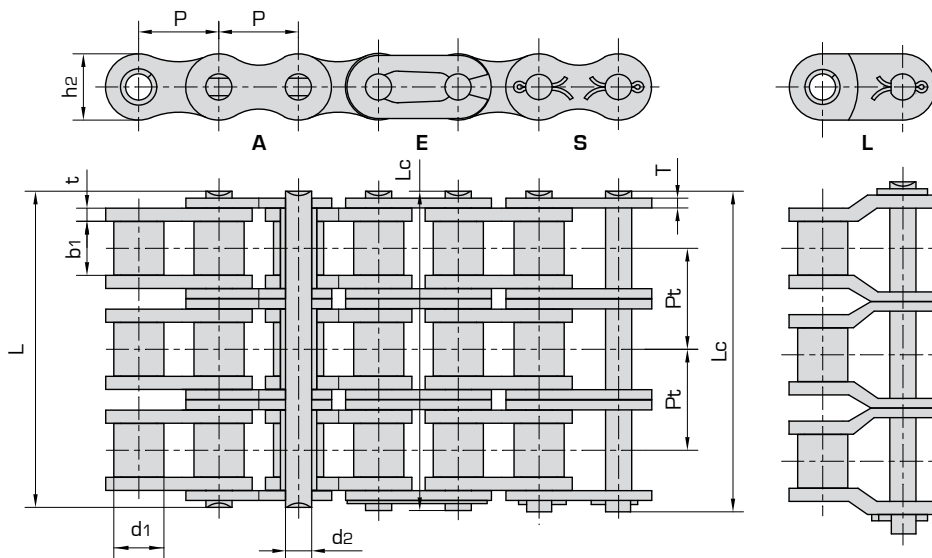
The Donghua SP Series dimensions are identical to those of the standard ANSI Series roller chains. The special design of the SP Series link plate delivers exceptional performance. The pitch holes are critically formed and ball drifted and the pins are through-hardened for greater shock resistance (25% to 30%). SP Series roller chains offer 10% higher tensile strength than the equivalent size standard ANSI Series roller chain. The Donghua SP Series can be used to replace the next larger pitch size of standard ANSI Series, making them ideal for applications where chain space is limited. Best suited for low speed operating conditions - up to 50 m/min. All Donghua roller chains are: Pre-loaded, Fatigue resistant, Wear resistant and Pre-lubricated. Donghua simplex, duplex and triplex roller chains are manufactured according to ISO 606 DIN8188, standard pre-loaded, pre-lubricated, do have seamless rollers and are marked with production batch code number for complete traceability. All Donghua roller chains are sealed in plastic bags and packed in cardboard boxes with clear ISO 606 DIN descriptions and safety instructions. Standard packaging size is 5 meter box, reels are available on request. Cut to length service is available on request. Several test certificates like breaking load, length tolerance and material analyses are possible and available on request. Rollers chains which are needed for 'run as pairs' applications can be matched as pairs on request. DIN, 1/2DIN and 1/3DIN length tolerance are possible, please ask us for a quotation. For high temperature, low temperature, food application or special environments different kind of special lubricants are available. Please ask our sales team for any special needs. For drive chain calculation and right dimension check, please contact our engineering department, also see drive chain calculation data sheet on page 301. By filling this data sheet and sending this to our engineering department you will receive a detailed drive chain calculation including life time expectation. Sprockets are available for all roller chains, with pilot bore, fixed bore, keyway, setscrew or bearing bore with grooves. Standard toothing, hardened toothing or special toothing are possible with pilot bore, fixed bore or taper bush. Chain tools, tensioners and chain lubricants please see page 302-310.

Short pitch heavy duty precision roller chains (A series)

heavy duty SP series high strength

Triplex roller chains & bush chains

| Part nr. | DIN/ISO 606 Chain no. | ANSI Chain no. | Pitch | Roller diameter | Width between inner plates | Pin diameter | Pin length | | Inner plate depth | Plate thickness | Transverse pitch |
|-------------------|-----------------------------|-------------------|--------|--------------------|-------------------------------------|-----------------|------------|--------|-------------------------|--------------------|---------------------|
| | | | P | d1 max | b1 min | d2 max | L max | Lc max | h2 max | T max | |
| | | | mm | mm | mm | mm | mm | mm | mm | mm | mm |
| 10080-3SP | 16A-3 | 80-3 | 25,400 | 15,88 | 15,75 | 7,94 | 91,7 | 95,1 | 24,10 | 3,20 | 29,29 |
| 100100-3SP | 20A-3 | 100-3 | 31,750 | 19,05 | 18,95 | 9,54 | 112,2 | 116,3 | 30,10 | 4,00 | 35,76 |
| 100120-3SP | 24A-3 | 120-3 | 38,100 | 22,23 | 25,22 | 11,11 | 141,4 | 145,2 | 36,20 | 4,80 | 45,44 |
| 100140-3SP | 28A-3 | 140-3 | 44,450 | 25,40 | 25,22 | 12,71 | 152,2 | 156,8 | 42,20 | 5,60 | 48,87 |
| 100160-3SP | 32A-3 | 160-3 | 50,800 | 28,58 | 31,55 | 14,29 | 181,8 | 186,6 | 48,20 | 6,40 | 58,55 |
| 100200-3SP | 40A-3 | 200-3 | 63,500 | 39,68 | 37,85 | 19,85 | 223,5 | 230,4 | 60,30 | 8,00 | 71,55 |



| Ultimate tensile strength | Average tensile strength | Weight per meter | Available chain parts | | | | |
|---------------------------|--------------------------|------------------|-----------------------|---|---|---|---|
| Q_{min} | Q_0 | q | | | | | |
| kN/lbf | kN | kg/m | E | S | L | C | A |
| 232,5/52302 | 255,9 | 8,18 | X | | X | | X |
| 347,3/78128 | 382,0 | 12,47 | | X | X | | X |
| 508,0/114278 | 559,0 | 18,90 | | X | X | | X |
| 688,0/150271 | 735,0 | 23,84 | | X | X | | X |
| 855,5/192441 | 941,0 | 32,10 | | X | X | | X |
| 1336,4/300633 | 1470,0 | 52,50 | X | X | | | X |



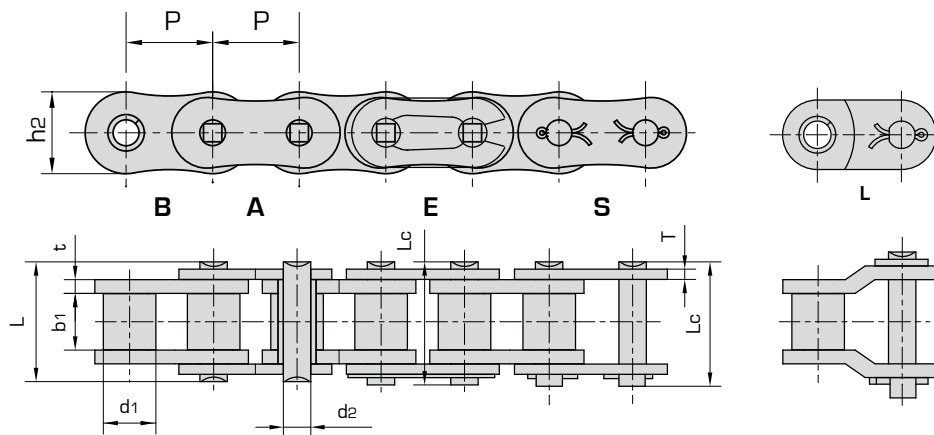
The Donghua SP Series dimensions are identical to those of the standard ANSI Series roller chains. The special design of the SP Series link plate delivers exceptional performance. The pitch holes are critically formed and ball drifted and the pins are through-hardened for greater shock resistance (25% to 30%). SP Series roller chains offer 10% higher tensile strength than the equivalent size standard ANSI Series roller chain. The Donghua SP Series can be used to replace the next larger pitch size of standard ANSI Series, making them ideal for applications where chain space is limited. Best suited for low speed operating conditions - up to 50 m/min. All Donghua roller chains are: Pre-loaded, Fatigue resistant, Wear resistant and Pre-lubricated. Donghua simplex, duplex and triplex roller chains are manufactured according to ISO 606 DIN8188, standard pre-loaded, pre-lubricated, do have seamless rollers and are marked with production batch code number for complete traceability. All Donghua roller chains are sealed in plastic bags and packed in cardboard boxes with clear ISO 606 DIN descriptions and safety instructions. Standard packaging size is 5 meter box, reels are available on request. Cut to length service is available on request. Several test certificates like breaking load, length tolerance and material analyses are possible and available on request. Rollers chains which are needed for 'run as pairs' applications can be matched as pairs on request. DIN, 1/2DIN and 1/3DIN length tolerance are possible, please ask us for a quotation. For high temperature, low temperature, food application or special environments different kind of special lubricants are available. Please ask our sales team for any special needs. For drive chain calculation and right dimension check, please contact our engineering department, also see drive chain calculation data sheet on page 301. By filling this data sheet and sending this to our engineering department you will receive a detailed drive chain calculation including life time expectation. Sprockets are available for all roller chains, with pilot bore, fixed bore, keyway, setscrew or bearing bore with grooves. Standard tothing, hardened tothing or special tothing are possible with pilot bore, fixed bore or taper bush. Chain tools, tensioners and chain lubricants please see page 302-310.

Short pitch heavy duty precision roller chains (A series)

heavy duty SP series high strength with hard chromized pins

Simplex roller chains & bush chains

| Part nr. | DIN/ISO 606 Chain no. | ANSI Chain no. | Pitch | Roller diameter | Width between inner plates | Pin diameter | Pin length | | Inner plate depth | Plate thickness |
|---------------------|-----------------------------|-------------------|--------|--------------------|-------------------------------------|-----------------|------------|--------|-------------------------|--------------------|
| | | | | | | | L max | Lc max | | |
| | | | | | | | P | d1 max | | |
| | | mm | | mm | | mm | | mm | | |
| 10080-1SPCP | 16A-1 | 80 | 25,400 | 15,88 | 15,75 | 7,94 | 32,70 | 36,50 | 24,10 | 3,20 |
| 100100-1SPCP | 20A-1 | 100 | 31,750 | 19,05 | 18,95 | 9,54 | 40,40 | 44,70 | 30,10 | 4,00 |
| 100120-1SPCP | 24A-1 | 120 | 38,100 | 22,23 | 22,22 | 11,11 | 50,30 | 54,30 | 36,20 | 4,80 |
| 100140-1SPCP | 28A-1 | 140 | 44,450 | 25,40 | 25,22 | 12,71 | 54,40 | 59,00 | 42,20 | 5,60 |
| 100160-1SPCP | 32A-1 | 160 | 50,800 | 28,58 | 31,55 | 14,29 | 64,80 | 69,60 | 48,20 | 6,40 |
| 100200-1SPCP | 40A-1 | 200 | 63,500 | 39,68 | 37,85 | 19,85 | 80,30 | 87,20 | 60,30 | 8,00 |



| Ultimate tensile strength | Average tensile strength | Weight per meter | Available chain parts | | | | | |
|---------------------------|--------------------------|------------------|-----------------------|---|---|---|---|---|
| Q min | Q0 | q | | | | | | |
| kN/lbf | kN | kg/m | E | S | L | C | A | B |
| 77,5/17434 | 85,3 | 2,86 | X | | X | X | X | |
| 115,5/25982 | 127,0 | 4,21 | | X | X | | X | |
| 165,0/37118 | 186,0 | 6,36 | | X | X | | X | |
| 222,7/50098 | 245,0 | 8,04 | | X | X | | X | |
| 285,5/64215 | 314,0 | 10,80 | | X | X | | X | |
| 445,5/100208 | 490,0 | 18,00 | | X | X | | X | |



Solution range

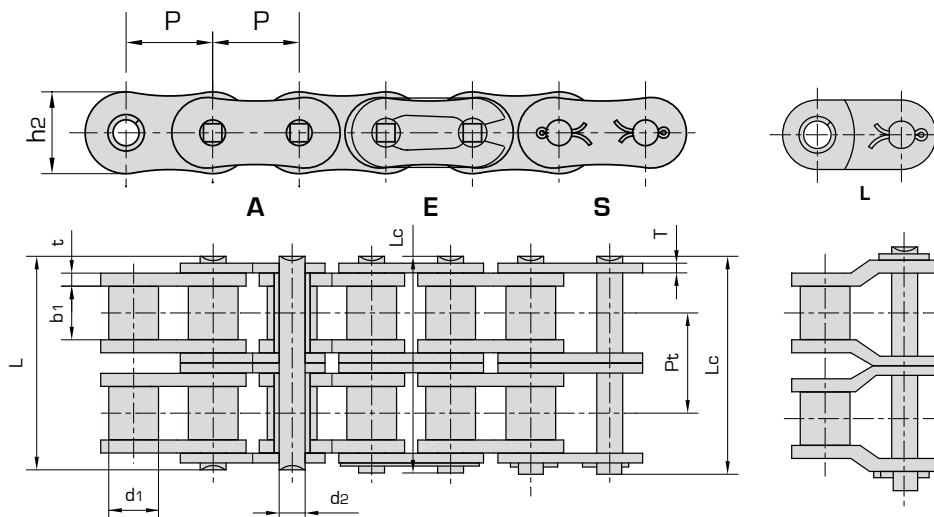
The Donghua SP Series dimensions are identical to those of the standard ANSI Series roller chains. The special design of the SP Series link plate delivers exceptional performance. The pitch holes are critically formed and ball drifted and the pins are through-hardened for greater shock resistance (25% to 30%). SP Series roller chains offer 10% higher tensile strength than the equivalent size standard ANSI Series roller chain. The Donghua SP Series can be used to replace the next larger pitch size of standard ANSI Series, making them ideal for applications where chain space is limited. Best suited for low speed operating conditions - up to 50 m/min. Donghua CP roller chains are built with hard chromized pins. The surface hardness is more than 1100 HV10 offering a +30% higher wear resistance than standard case hardened pins. Donghua CP roller chain are used for tough environments, high speed, and high frequency of movement in the bearing area resisting wear much better than case hardened pins. In combination with highly sophisticated lubricant this technology brings a unique performance in wear resistance. All Donghua roller chains are: Pre-loaded, Fatigue resistant, Wear resistant and Pre-lubricated. Donghua simplex, duplex and triplex roller chains are manufactured according to ISO 606 DIN8188, standard pre-loaded, pre-lubricated, do have seamless rollers and are marked with production batch code number for complete traceability. All Donghua roller chains are sealed in plastic bags and packed in cardboard boxes with clear ISO 606 DIN descriptions and safety instructions. Standard packaging size is 5 meter box, reels are available on request. Cut to length service is available on request. Several test certificates like breaking load, length tolerance and material analyses are possible and available on request. Rollers chains which are needed for 'run as pairs' applications can be matched as pairs on request. DIN, 1/2DIN and 1/3DIN length tolerance are possible, please ask us for a quotation. For high temperature, low temperature, food application or special environments different kind of special lubricants are available. Please ask our sales team for any special needs. For drive chain calculation and right dimension check, please contact our engineering department, also see drive chain calculation data sheet on page 301. By filling this data sheet and sending this to our engineering department you will receive a detailed drive chain calculation including life time expectation. Sprockets are available for all roller chains, with pilot bore, fixed bore, keyway, setscrew or bearing bore with grooves. Standard toothing, hardened toothing or special toothing are possible with pilot bore, fixed bore or taper bush. Chain tools, tensioners and chain lubricants please see page 302-310.

Short pitch heavy duty precision roller chains (A series)

heavy duty SP series high strength with hard chromized pins

Duplex roller chains & bush chains

| Part nr. | DIN/ISO 606 Chain no. | ANSI Chain no. | Pitch | Roller diameter | Width between inner plates | Pin diameter | Pin length | | Inner plate depth | Plate thickness | Transverse pitch |
|---------------------|-----------------------------|-------------------|--------|--------------------|-------------------------------------|-----------------|------------|--------|-------------------------|--------------------|---------------------|
| | | | | | | | L max | Lc max | | | |
| | | | P | d1 max | b1 min | d2 max | L max | Lc max | h2 max | T max | |
| | | | mm | mm | mm | mm | mm | mm | mm | mm | mm |
| 10080-2SPCP | 16A-2 | 80-2 | 25,400 | 15,88 | 15,75 | 7,94 | 62,7 | 65,8 | 24,10 | 3,20 | 29,29 |
| 100100-2SPCP | 20A-2 | 100-2 | 31,750 | 19,05 | 18,95 | 9,54 | 76,4 | 80,5 | 30,10 | 4,00 | 35,76 |
| 100120-2SPCP | 24A-2 | 120-2 | 38,100 | 22,23 | 22,22 | 11,11 | 95,8 | 99,7 | 36,20 | 4,80 | 45,34 |
| 100140-2SPCP | 28A-2 | 140-2 | 44,450 | 25,40 | 25,22 | 12,71 | 103,3 | 107,9 | 42,20 | 5,60 | 48,87 |
| 100160-2SPCP | 32A-2 | 160-2 | 50,800 | 28,58 | 31,55 | 14,29 | 123,3 | 128,1 | 48,20 | 6,40 | 58,55 |
| 100200-2SPCP | 40A-2 | 200-2 | 63,500 | 39,68 | 37,85 | 19,85 | 151,9 | 158,8 | 60,30 | 8,00 | 71,55 |



| Ultimate tensile strength | Average tensile strength | Weight per meter | Available chain parts | | | | |
|---------------------------|--------------------------|------------------|-----------------------|---|---|---|---|
| Q min | Q0 | q | E | S | L | C | A |
| kN/lbf | kN | kg/m | | | | | |
| 155,0/34868 | 170,6 | 5,68 | X | | X | X | X |
| 231,0/51965 | 255,0 | 8,34 | | X | X | | X |
| 339,0/76260 | 373,0 | 12,63 | | X | X | | X |
| 445,5/100218 | 490,0 | 15,92 | | X | X | | X |
| 571,0/128430 | 628,0 | 21,43 | | X | X | | X |
| 892,0/200621 | 981,0 | 35,00 | | X | X | | X |



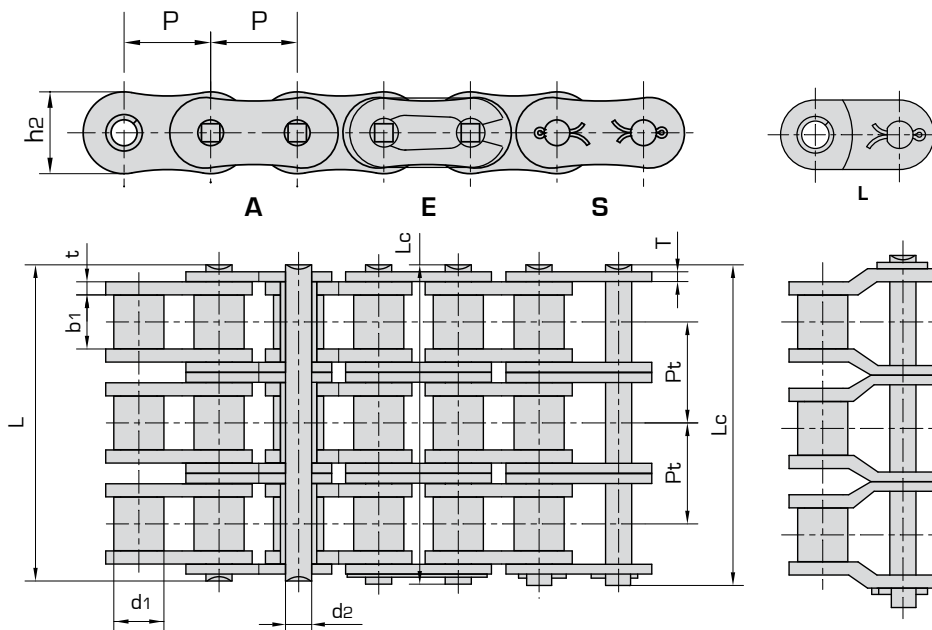
The Donghua SP Series dimensions are identical to those of the standard ANSI Series roller chains. The special design of the SP Series link plate delivers exceptional performance. The pitch holes are critically formed and ball drifted and the pins are through-hardened for greater shock resistance (25% to 30%). SP Series roller chains offer 10% higher tensile strength than the equivalent size standard ANSI Series roller chain. The Donghua SP Series can be used to replace the next larger pitch size of standard ANSI Series, making them ideal for applications where chain space is limited. Best suited for low speed operating conditions - up to 50 m/min. Donghua CP roller chains are built with hard chromized pins. The surface hardness is more than 1100 HV10 offering a +30% higher wear resistance than standard case hardened pins. Donghua CP roller chain are used for tough environments, high speed, and high frequency of movement in the bearing area resisting wear much better than case hardened pins. In combination with highly sophisticated lubricant this technology brings a unique performance in wear resistance. All Donghua roller chains are: Pre-loaded, Fatigue resistant, Wear resistant and Pre-lubricated. Donghua simplex, duplex and triplex roller chains are manufactured according to ISO 606 DIN8188, standard pre-loaded, pre-lubricated, do have seamless rollers and are marked with production batch code number for complete traceability. All Donghua roller chains are sealed in plastic bags and packed in cardboard boxes with clear ISO 606 DIN descriptions and safety instructions. Standard packaging size is 5 meter box, reels are available on request. Cut to length service is available on request. Several test certificates like breaking load, length tolerance and material analyses are possible and available on request. Rollers chains which are needed for 'run as pairs' applications can be matched as pairs on request. DIN, 1/2DIN and 1/3DIN length tolerance are possible, please ask us for a quotation. For high temperature, low temperature, food application or special environments different kind of special lubricants are available. Please ask our sales team for any special needs. For drive chain calculation and right dimension check, please contact our engineering department, also see drive chain calculation data sheet on page 301. By filling this data sheet and sending this to our engineering department you will receive a detailed drive chain calculation including life time expectation. Sprockets are available for all roller chains, with pilot bore, fixed bore, keyway, setscrew or bearing bore with grooves. Standard toothing, hardened toothing or special toothing are possible with pilot bore, fixed bore or taper bush. Chain tools, tensioners and chain lubricants please see page 302-310.

Short pitch heavy duty precision roller chains (A series)

heavy duty SP series high strength with hard chromized pins

Triplex roller chains & bush chains

| Part nr. | DIN/ISO 606 Chain no. | ANSI Chain no. | Pitch | Roller diameter | Width between inner plates | Pin diameter | Pin length | | Inner plate depth | Plate thickness | Transverse pitch |
|---------------------|-----------------------------|-------------------|--------|--------------------|-------------------------------------|-----------------|------------|--------|-------------------------|--------------------|---------------------|
| | | | | | | | L max | Lc max | | | |
| | | | P | d1 max | b1 min | d2 max | L max | Lc max | h2 max | T max | |
| | | | mm | mm | mm | mm | mm | mm | mm | mm | mm |
| 10080-3SPCP | 16A-3 | 80-3 | 25,400 | 15,88 | 15,75 | 7,94 | 91,7 | 95,1 | 24,10 | 3,20 | 29,29 |
| 100100-3SPCP | 20A-3 | 100-3 | 31,750 | 19,05 | 18,95 | 9,54 | 112,2 | 116,3 | 30,10 | 4,00 | 35,76 |
| 100120-3SPCP | 24A-3 | 120-3 | 38,100 | 22,23 | 22,22 | 11,11 | 141,4 | 145,2 | 36,20 | 4,80 | 45,44 |
| 100140-3SPCP | 28A-3 | 140-3 | 44,450 | 25,40 | 25,22 | 12,71 | 152,2 | 156,8 | 42,20 | 5,60 | 48,87 |
| 100160-3SPCP | 32A-3 | 160-3 | 50,800 | 28,58 | 31,55 | 14,29 | 181,8 | 186,6 | 48,20 | 6,40 | 58,55 |
| 100200-3SPCP | 40A-3 | 200-3 | 63,500 | 39,68 | 37,85 | 19,85 | 223,5 | 230,4 | 60,30 | 8,00 | 71,55 |



| Ultimate tensile strength | Average tensile strength | Weight per meter | Available chain parts | | | | |
|---------------------------|--------------------------|------------------|-----------------------|---|---|---|---|
| Q_{min} | Q_0 | q | | | | | |
| kN/lbf | kN | kg/m | E | S | L | C | A |
| 232,5/52302 | 255,9 | 8,18 | X | | X | | X |
| 347,3/78128 | 382,0 | 12,47 | | X | X | | X |
| 508,0/114278 | 559,0 | 18,90 | | X | X | | X |
| 688,0/150271 | 735,0 | 23,84 | | X | X | | X |
| 855,5/192441 | 941,0 | 32,10 | | X | X | | X |
| 1336,4/300633 | 1470,0 | 52,50 | | X | X | | X |



The Donghua SP Series dimensions are identical to those of the standard ANSI Series roller chains. The special design of the SP Series link plate delivers exceptional performance. The pitch holes are critically formed and ball drifted and the pins are through-hardened for greater shock resistance (25% to 30%). SP Series roller chains offer 10% higher tensile strength than the equivalent size standard ANSI Series roller chain. The Donghua SP Series can be used to replace the next larger pitch size of standard ANSI Series, making them ideal for applications where chain space is limited. Best suited for low speed operating conditions - up to 50 m/min. Donghua CP roller chains are built with hard chromized pins. The surface hardness is more than 1100 HV10 offering a +30% higher wear resistance than standard case hardened pins. Donghua CP roller chain are used for tough environments, high speed, and high frequency of movement in the bearing area resisting wear much better than case hardened pins. In combination with highly sophisticated lubricant this technology brings a unique performance in wear resistance. All Donghua roller chains are: Pre-loaded, Fatigue resistant, Wear resistant and Pre-lubricated. Donghua simplex, duplex and triplex roller chains are manufactured according to ISO 606 DIN8188, standard pre-loaded, pre-lubricated, do have seamless rollers and are marked with production batch code number for complete traceability. All Donghua roller chains are sealed in plastic bags and packed in cardboard boxes with clear ISO 606 DIN descriptions and safety instructions. Standard packaging size is 5 meter box, reels are available on request. Cut to length service is available on request. Several test certificates like breaking load, length tolerance and material analyses are possible and available on request. Rollers chains which are needed for 'run as pairs' applications can be matched as pairs on request. DIN, 1/2DIN and 1/3DIN length tolerance are possible, please ask us for a quotation. For high temperature, low temperature, food application or special environments different kind of special lubricants are available. Please ask our sales team for any special needs. For drive chain calculation and right dimension check, please contact our engineering department, also see drive chain calculation data sheet on page 301. By filling this data sheet and sending this to our engineering department you will receive a detailed drive chain calculation including life time expectation. Sprockets are available for all roller chains, with pilot bore, fixed bore, keyway, setscrew or bearing bore with grooves. Standard toothing, hardened toothing or special toothing are possible with pilot bore, fixed bore or taper bush. Chain tools, tensioners and chain lubricants please see page 302-310.





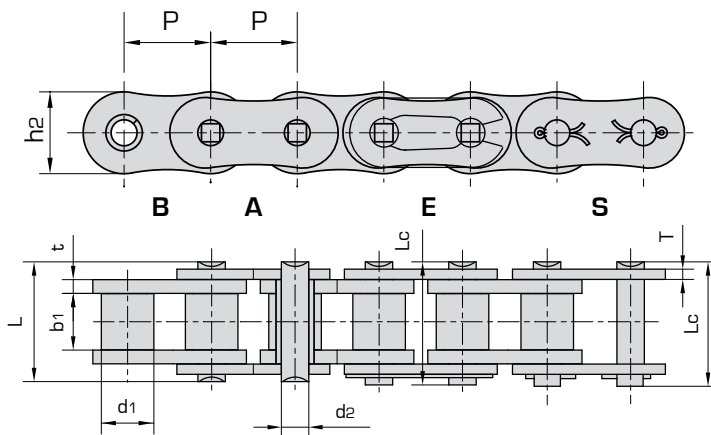
Short pitch heavy duty precision roller chains (A series)

heavy duty HSP series high strength

Simplex roller chains & bush chains

| Part nr. | DIN/ISO 606 Chain no. | ANSI Chain no. | Pitch | Roller diameter | Width between inner plates | Pin diameter | Pin length | | Inner plate depth | Plate thickness |
|-------------|-----------------------------|-------------------|--------|--------------------|-------------------------------------|-----------------|------------|--------|-------------------------|--------------------|
| | | | | | | | L max | Lc max | | |
| | | | P | d1 max | b1 min | d2 max | L max | Lc max | h2 max | T max |
| | | | mm | mm | mm | mm | mm | mm | mm | mm |
| 10080-1HSP | 16A-1 | 80 | 25,400 | 15,88 | 15,75 | 7,94 | 36,20 | 38,90 | 24,10 | 4,00 |
| 100100-1HSP | 20A-1 | 100 | 31,750 | 19,05 | 18,95 | 9,54 | 43,60 | 46,90 | 30,10 | 4,80 |
| 100120-1HSP | 24A-1 | 120 | 38,100 | 22,23 | 25,22 | 11,11 | 53,50 | 57,50 | 36,20 | 5,60 |
| 100140-1HSP | 28A-1 | 140 | 44,450 | 25,40 | 25,22 | 12,71 | 57,60 | 62,20 | 42,20 | 6,40 |
| 100160-1HSP | 32A-1 | 160 | 50,800 | 28,58 | 31,55 | 14,29 | 68,20 | 73,00 | 48,20 | 7,20 |
| 100200-1HSP | 40A-1 | 200 | 63,500 | 39,68 | 37,85 | 19,85 | 86,60 | 93,50 | 60,30 | 9,50 |

* All connecting links have standard connecting plates with press fit difficult to mount but increase fatigue resistance by 15%.



| Ultimate tensile strength | Average tensile strength | Weight per meter | Available chain parts | | | | | |
|---------------------------|--------------------------|------------------|-----------------------|----|---|---|---|---|
| Q min | Q0 | q | | | | | | |
| kN/lbf | kN | kg/m | E* | S* | L | C | A | B |
| 89,2/20066 | 98,1 | 3,36 | X | | | | X | |
| 131,8/29649 | 145,0 | 4,90 | | X | | | X | |
| 176,0/39592 | 196,0 | 7,12 | | X | | | X | |
| 231,9/52149 | 255,0 | 8,88 | | X | | | X | |
| 294,5/66260 | 324,0 | 11,72 | | X | | | X | |
| 543,6/122295 | 598,0 | 19,80 | | X | | | X | |



The Donghua HSP Series. The thickness of the link plates is the same as the H & HV Series roller chains. The special pin material is also through-hardened which provides a higher tensile strength and a higher shock load resistance than SP Series roller chains. The pitch holes are critically formed and ball drifted. HSP Series roller chain can be used to replace the next larger size of ANSI standard roller chain, making them ideal for applications where space is limited. Best suited for low speed operating conditions - up to 50 m/min. All Donghua roller chains are: Pre-loaded, Fatigue resistant, Wear resistant and Pre-lubricated. Donghua simplex, duplex and triplex roller chains are manufactured according to ISO 606 DIN8188, standard pre-loaded, pre-lubricated, do have seamless rollers and are marked with production batch code number for complete traceability. All Donghua roller chains are sealed in plastic bags and packed in cardboard boxes with clear ISO 606 DIN descriptions and safety instructions. Standard packaging size is 5 meter box, reels are available on request. Cut to length service is available on request. Several test certificates like breaking load, length tolerance and material analyses are possible and available on request. Rollers chains which are needed for 'run as pairs' applications can be matched as pairs on request. DIN, 1/2DIN and 1/3DIN length tolerance are possible, please ask us for a quotation. For high temperature, low temperature, food application or special environments different kind of special lubricants are available. Please ask our sales team for any special needs. For drive chain calculation and right dimension check, please contact our engineering department, also see drive chain calculation data sheet on page 301. By filling this data sheet and sending this to our engineering department you will receive a detailed drive chain calculation including life time expectation. Sprockets are available for all roller chains, with pilot bore, fixed bore, keyway, setscrew or bearing bore with grooves. Standard toothing, hardened toothing or special toothing are possible with pilot bore, fixed bore or taper bush. Chain tools, tensioners and chain lubricants please see page 302-310.

Solution range

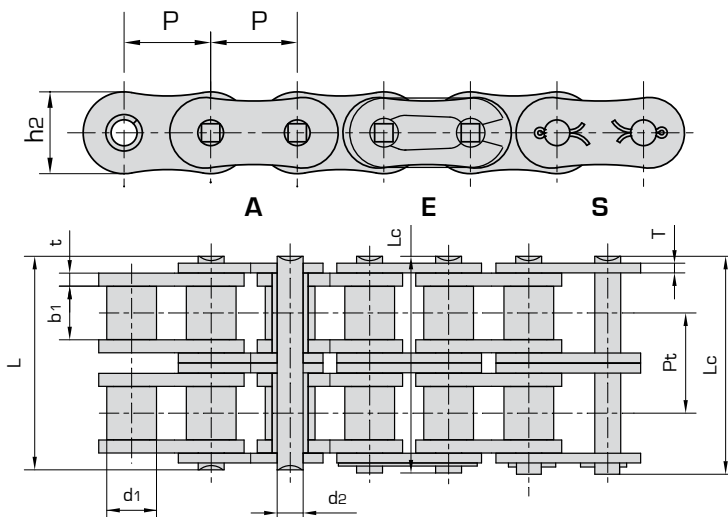
Short pitch heavy duty precision roller chains (A series)

heavy duty HSP series high strength

Duplex roller chains & bush chains

| Part nr. | DIN/ISO 606 Chain no. | ANSI Chain no. | Pitch | Roller diameter | Width between inner plates | Pin diameter | Pin length | | Inner plate depth | Plate thickness | Transverse pitch |
|--------------------|-----------------------------|-------------------|--------|--------------------|-------------------------------------|-----------------|------------|--------|-------------------------|--------------------|---------------------|
| | | | | | | | L max | Lc max | | | |
| | | | P | d1 max | b1 min | d2 max | L max | Lc max | h2 max | T max | |
| | | | mm | mm | mm | mm | mm | mm | mm | mm | mm |
| 10080-2HSP | 16A-2 | 80-2 | 25,400 | 15,88 | 15,75 | 7,94 | 68,8 | 72,0 | 24,10 | 4,00 | 32,59 |
| 100100-2HSP | 20A-2 | 100-2 | 31,750 | 19,05 | 18,95 | 9,54 | 82,7 | 86,0 | 30,10 | 4,80 | 39,09 |
| 100120-2HSP | 24A-2 | 120-2 | 38,100 | 22,23 | 22,22 | 11,11 | 102,4 | 106,4 | 36,20 | 5,60 | 48,87 |
| 100140-2HSP | 28A-2 | 140-2 | 44,450 | 25,40 | 25,22 | 12,71 | 109,8 | 114,4 | 42,20 | 6,40 | 52,20 |
| 100160-2HSP | 32A-2 | 160-2 | 50,800 | 28,58 | 31,55 | 14,29 | 130,1 | 134,9 | 48,20 | 7,20 | 61,90 |
| 100200-2HSP | 40A-2 | 200-2 | 63,500 | 39,68 | 37,85 | 19,85 | 164,9 | 171,8 | 60,30 | 9,50 | 78,31 |

* All connecting links have standard connecting plates with press fit difficult to mount but increase fatigue resistance by 15%.



| Ultimate tensile strength | Average tensile strength | Weight per meter | Available chain parts | | | | | |
|---------------------------|--------------------------|------------------|-----------------------|----|---|---|---|---|
| Q min | Q0 | q | | | | | | |
| kN/lbf | kN | kg/m | E* | S* | L | C | A | |
| 178,4/40132 | 196,2 | 6,65 | X | | | | | X |
| 263,6/59299 | 290,0 | 9,71 | | X | | | | X |
| 356,4/80175 | 392,0 | 14,12 | | X | | | | X |
| 463,6/104300 | 510,0 | 17,38 | | X | | | | X |
| 588,0/132275 | 647,0 | 23,00 | | X | | | | X |
| 1091,0/245429 | 1200,0 | 38,50 | | X | | | | X |



Solution range



The Donghua HSP Series. The thickness of the link plates is the same as the H & HV Series roller chains. The special pin material is also through-hardened which provides a higher tensile strength and a higher shock load resistance than SP Series roller chains. The pitch holes are critically formed and ball drifted. HSP Series roller chain can be used to replace the next larger size of ANSI standard roller chain, making them ideal for applications where space is limited. Best suited for low speed operating conditions - up to 50 m/min. All Donghua roller chains are: Pre-loaded, Fatigue resistant, Wear resistant and Pre-lubricated. Donghua simplex, duplex and triplex roller chains are manufactured according to ISO 606 DIN8188, standard pre-loaded, pre-lubricated, do have seamless rollers and are marked with production batch code number for complete traceability. All Donghua roller chains are sealed in plastic bags and packed in cardboard boxes with clear ISO 606 DIN descriptions and safety instructions. Standard packaging size is 5 meter box, reels are available on request. Cut to length service is available on request. Several test certificates like breaking load, length tolerance and material analyses are possible and available on request. Rollers chains which are needed for 'run as pairs' applications can be matched as pairs on request. DIN, 1/2DIN and 1/3DIN length tolerance are possible, please ask us for a quotation. For high temperature, low temperature, food application or special environments different kind of special lubricants are available. Please ask our sales team for any special needs. For drive chain calculation and right dimension check, please contact our engineering department, also see drive chain calculation data sheet on page 301. By filling this data sheet and sending this to our engineering department you will receive a detailed drive chain calculation including life time expectation. Sprockets are available for all roller chains, with pilot bore, fixed bore, keyway, setscrew or bearing bore with grooves. Standard toothing, hardened toothing or special toothing are possible with pilot bore, fixed bore or taper bush. Chain tools, tensioners and chain lubricants please see page 302-310.

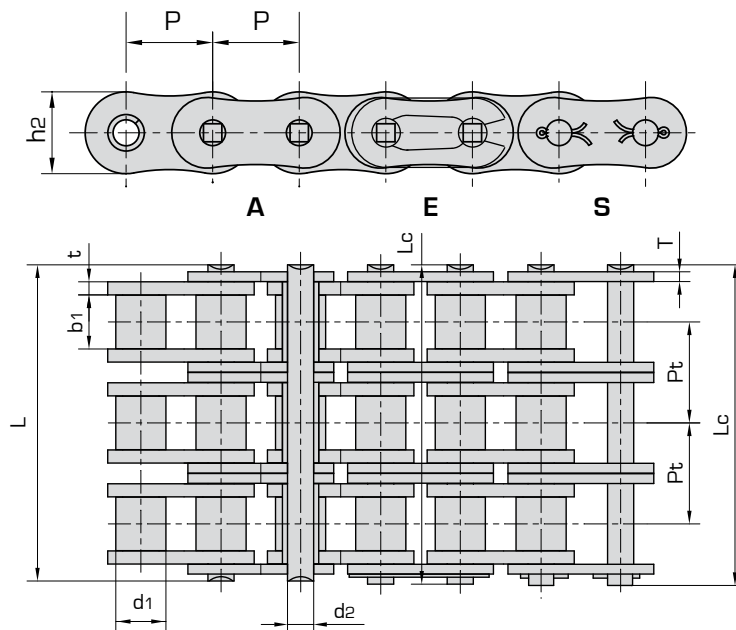
Short pitch heavy duty precision roller chains (A series)

heavy duty HSP series high strength

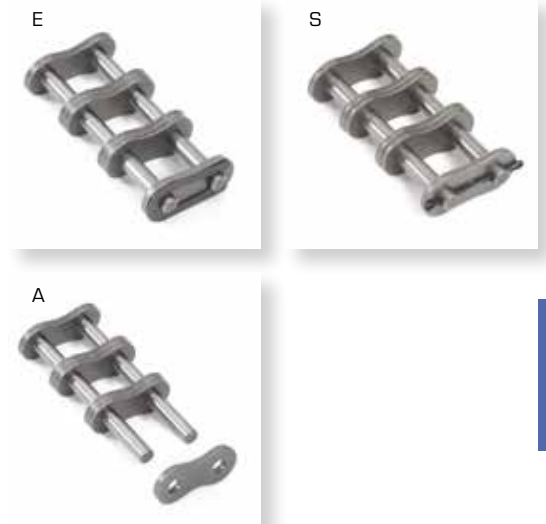
Triplex roller chains & bush

| Part nr. | DIN/ISO 606 Chain no. | ANSI Chain no. | Pitch | Roller diameter | Width between inner plates | Pin diameter | Pin length | | Inner plate depth | Plate thickness | Transverse pitch |
|--------------------|-----------------------------|-------------------|--------|--------------------|-------------------------------------|-----------------|------------|--------|-------------------------|--------------------|---------------------|
| | | | | | | | L max | Lc max | | | |
| | | | P | d1 max | b1 min | d2 max | L max | Lc max | h2 max | T max | |
| | | | mm | mm | mm | mm | mm | mm | mm | mm | mm |
| 10080-3HSP | 16A-3 | 80-3 | 25,400 | 15,88 | 15,75 | 7,94 | 101,4 | 104,6 | 24,10 | 4,00 | 32,59 |
| 100100-3HSP | 20A-3 | 100-3 | 31,750 | 19,05 | 18,95 | 9,54 | 121,8 | 125,1 | 30,10 | 4,80 | 39,09 |
| 100120-3HSP | 24A-3 | 120-3 | 38,100 | 22,23 | 22,22 | 11,11 | 151,2 | 155,2 | 36,20 | 5,60 | 48,87 |
| 100140-3HSP | 28A-3 | 140-3 | 44,450 | 25,40 | 25,22 | 12,71 | 162,0 | 166,6 | 42,20 | 6,40 | 52,20 |
| 100160-3HSP | 32A-3 | 160-3 | 50,800 | 28,58 | 31,55 | 14,29 | 192,0 | 196,8 | 48,20 | 7,20 | 61,90 |
| 100200-3HSP | 40A-3 | 200-3 | 63,500 | 39,68 | 37,85 | 19,85 | 243,2 | 250,1 | 60,30 | 9,50 | 78,31 |

* All connecting links have standard connecting plates with press fit difficult to mount but increase fatigue resistance by 15%.



| Ultimate tensile strength | Average tensile strength | Weight per meter | Available chain parts | | | | | |
|---------------------------|--------------------------|------------------|-----------------------|----|---|---|---|---|
| Q min | Q0 | q | | | | | | |
| kN/lbf | kN | kg/m | E* | S* | L | C | A | |
| 267,6/60200 | 294,3 | 9,95 | X | | | | | X |
| 395,4/88948 | 435,0 | 14,53 | | X | | | | X |
| 534,5/120250 | 588,0 | 21,12 | | X | | | | X |
| 696,5/156448 | 765,0 | 25,88 | | X | | | | X |
| 882,7/198576 | 971,0 | 34,22 | | X | | | | X |
| 1627,3/366073 | 1790,0 | 57,29 | | X | | | | X |



Solution range



The Donghua HSP Series. The thickness of the link plates is the same as the H & HV Series roller chains. The special pin material is also through-hardened which provides a higher tensile strength and a higher shock load resistance than SP Series roller chains. The pitch holes are critically formed and ball drilled. HSP Series roller chain can be used to replace the next larger size of ANSI standard roller chain, making them ideal for applications where space is limited. Best suited for low speed operating conditions - up to 50 m/min. All Donghua roller chains are: Pre-loaded, Fatigue resistant, Wear resistant and Pre-lubricated. Donghua simplex, duplex and triplex roller chains are manufactured according to ISO 606 DIN8188, standard pre-loaded, pre-lubricated, do have seamless rollers and are marked with production batch code number for complete traceability. All Donghua roller chains are sealed in plastic bags and packed in cardboard boxes with clear ISO 606 DIN descriptions and safety instructions. Standard packaging size is 5 meter box, reels are available on request. Cut to length service is available on request. Several test certificates like breaking load, length tolerance and material analyses are possible and available on request. Rollers chains which are needed for 'run as pairs' applications can be matched as pairs on request. DIN, 1/2DIN and 1/3DIN length tolerance are possible, please ask us for a quotation. For high temperature, low temperature, food application or special environments different kind of special lubricants are available. Please ask our sales team for any special needs. For drive chain calculation and right dimension check, please contact our engineering department, also see drive chain calculation data sheet on page 301. By filling this data sheet and sending this to our engineering department you will receive a detailed drive chain calculation including life time expectation. Sprockets are available for all roller chains, with pilot bore, fixed bore, keyway, setscrew or bearing bore with grooves. Standard toothing, hardened toothing or special toothing are possible with pilot bore, fixed bore or taper bush. Chain tools, tensioners and chain lubricants please see page 302-310.

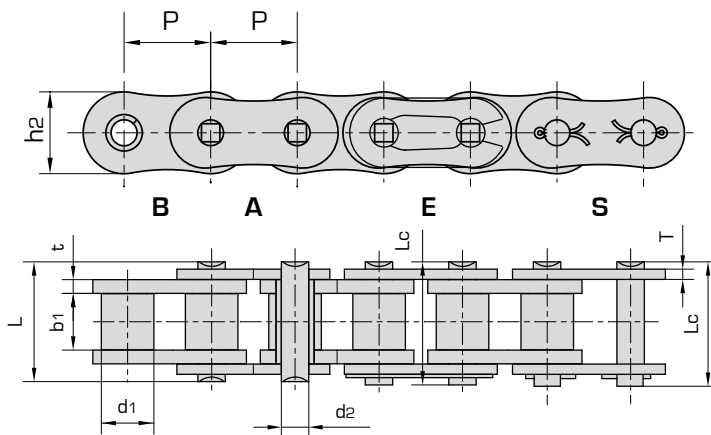
Short pitch heavy duty precision roller chains (A series)

heavy duty HSP series high strength with hard chromized pins

Simplex roller chains & bush chains

| Part nr. | DIN/ISO 606 Chain no. | ANSI Chain no. | Pitch | Roller diameter | Width between inner plates | Pin diameter | Pin length | | Inner plate depth | Plate thickness |
|---------------|-----------------------------|-------------------|--------|--------------------|-------------------------------------|-----------------|------------|--------|-------------------------|--------------------|
| | | | | | | | L max | Lc max | | |
| | | | P | d1 max | b1 min | d2 max | L max | Lc max | h2 max | T max |
| | | | mm | mm | mm | mm | mm | mm | mm | mm |
| 10080-1HSPCP | 16A-1 | 80 | 25,400 | 15,88 | 15,75 | 7,94 | 36,20 | 38,90 | 24,10 | 4,00 |
| 100100-1HSPCP | 20A-1 | 100 | 31,750 | 19,05 | 18,95 | 9,54 | 43,60 | 46,90 | 30,10 | 4,80 |
| 100120-1HSPCP | 24A-1 | 120 | 38,100 | 22,23 | 25,22 | 11,11 | 53,50 | 57,50 | 36,20 | 5,60 |
| 100140-1HSPCP | 28A-1 | 140 | 44,450 | 25,40 | 25,22 | 12,71 | 57,60 | 62,20 | 42,20 | 6,40 |
| 100160-1HSPCP | 32A-1 | 160 | 50,800 | 28,58 | 31,55 | 14,29 | 68,20 | 73,00 | 48,20 | 7,20 |
| 100200-1HSPCP | 40A-1 | 200 | 63,500 | 39,68 | 37,85 | 19,85 | 86,60 | 93,50 | 60,30 | 9,50 |

* All connecting links have standard connecting plates with press fit difficult to mount but increase fatigue resistance by 15%.



| Ultimate tensile strength | Average tensile strength | Weight per meter | Available chain parts | | | | | |
|---------------------------|--------------------------|------------------|-----------------------|----|---|---|---|---|
| Q min | Q0 | q | E* | S* | L | C | A | B |
| kN/lbf | kN | kg/m | | | | | | |
| 89,2/20066 | 98,1 | 3,36 | X | | | | X | |
| 131,8/29649 | 145,0 | 4,90 | | X | | | X | |
| 176,0/39592 | 196,0 | 7,12 | | X | | | X | |
| 231,9/52149 | 255,0 | 8,88 | | X | | | X | |
| 294,5/66260 | 324,0 | 11,72 | | X | | | X | |
| 543,6/122295 | 598,0 | 19,80 | | X | | | X | |



The Donghua HSP Series. The thickness of the link plates is the same as the H & HV Series roller chains. The special pin material is also through-hardened which provides a higher tensile strength and a higher shock load resistance than SP Series roller chains. The pitch holes are critically formed and ball drifted. HSP Series roller chain can be used to replace the next larger size of ANSI standard roller chain, making them ideal for applications where space is limited. Best suited for low speed operating conditions - up to 50 m/min. Donghua CP roller chains are built with hard chromized pins. The surface hardness is more than 1100 HV10 offering a +30% higher wear resistance than standard case hardened pins. In combination with highly sophisticated lubricant, this technology offers unique performance in wear resistance. All Donghua roller chains are: Pre-loaded, Fatigue resistant, Wear resistant and Pre-lubricated. Donghua simplex, duplex and triplex roller chains are manufactured according to ISO 606 DIN8188, standard pre-loaded, pre-lubricated, do have seamless rollers and are marked with production batch code number for complete traceability. All Donghua roller chains are sealed in plastic bags and packed in cardboard boxes with clear ISO 606 DIN descriptions and safety instructions. Standard packaging size is 5 meter box, reels are available on request. Cut to length service is available on request. Several test certificates like breaking load, length tolerance and material analyses are possible and available on request. Rollers chains which are needed for 'run as pairs' applications can be matched as pairs on request. DIN, 1/2DIN and 1/3DIN length tolerance are possible, please ask us for a quotation. For high temperature, low temperature, food application or special environments different kind of special lubricants are available. Please ask our sales team for any special needs. For drive chain calculation and right dimension check, please contact our engineering department, also see drive chain calculation data sheet on page 301. By filling this data sheet and sending this to our engineering department you will receive a detailed drive chain calculation including life time expectation. Sprockets are available for all roller chains, with pilot bore, fixed bore, keyway, setscrew or bearing bore with grooves. Standard toothing, hardened toothing or special toothing are possible with pilot bore, fixed bore or taper bush. Chain tools, tensioners and chain lubricants please see page 302-310.

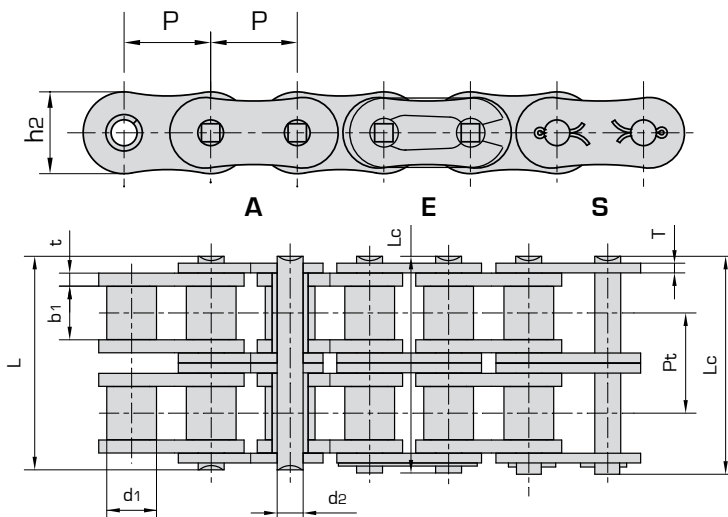
Short pitch heavy duty precision roller chains (A series)

heavy duty HSP series high strength with hard chromized pins

Duplex roller chains & bush chains

| Part nr. | DIN/ISO 606 Chain no. | ANSI Chain no. | Pitch | Roller diameter | Width between inner plates | Pin diameter | Pin length | | Inner plate depth | Plate thickness | Transverse pitch |
|---------------|-----------------------------|-------------------|--------|--------------------|-------------------------------------|-----------------|------------|--------|-------------------------|--------------------|---------------------|
| | | | | | | | L max | Lc max | | | |
| | | | | | | | P | d1 max | | | |
| | | mm | | mm | | mm | | mm | | mm | |
| 10080-2HSPCP | 16A-2 | 80-2 | 25,400 | 15,88 | 15,75 | 7,94 | 68,8 | 72,0 | 24,10 | 4,00 | 32,59 |
| 100100-2HSPCP | 20A-2 | 100-2 | 31,750 | 19,05 | 18,95 | 9,54 | 82,7 | 86,0 | 30,10 | 4,80 | 39,09 |
| 100120-2HSPCP | 24A-2 | 120-2 | 38,100 | 22,23 | 22,22 | 11,11 | 102,4 | 106,4 | 36,20 | 5,60 | 48,87 |
| 100140-2HSPCP | 28A-2 | 140-2 | 44,450 | 25,40 | 25,22 | 12,71 | 109,8 | 114,4 | 42,20 | 6,40 | 52,20 |
| 100160-2HSPCP | 32A-2 | 160-2 | 50,800 | 28,58 | 31,55 | 14,29 | 130,1 | 134,9 | 48,20 | 7,20 | 61,90 |
| 100200-2HSPCP | 40A-2 | 200-2 | 63,500 | 39,68 | 37,85 | 19,85 | 164,9 | 171,8 | 60,30 | 9,50 | 78,31 |

* All connecting links have standard connecting plates with press fit difficult to mount but increase fatigue resistance by 15%.



| Ultimate tensile strength | Average tensile strength | Weight per meter | Available chain parts | | | | | |
|---------------------------|--------------------------|------------------|-----------------------|----|---|---|---|---|
| Q min | Q0 | q | | | | | | |
| kN/lbf | kN | kg/m | E* | S* | L | C | A | |
| 178,4/40132 | 196,2 | 6,65 | X | | | | | X |
| 263,6/59299 | 290,0 | 9,71 | | X | | | | X |
| 356,4/80175 | 392,0 | 14,12 | | X | | | | X |
| 463,6/104300 | 510,0 | 17,38 | | X | | | | X |
| 588,0/132275 | 647,0 | 23,00 | | X | | | | X |
| 1091,0/245429 | 1200,0 | 38,50 | | X | | | | X |



Solution range



The Donghua HSP Series. The thickness of the link plates is the same as the H & HV Series roller chains. The special pin material is also through-hardened which provides a higher tensile strength and a higher shock load resistance than SP Series roller chains. The pitch holes are critically formed and ball drilled. HSP Series roller chain can be used to replace the next larger size of ANSI standard roller chain, making them ideal for applications where space is limited. Best suited for low speed operating conditions - up to 50 m/min. Donghua CP roller chains are built with hard chromized pins. The surface hardness is more than 1100 HV10 offering a +30% higher wear resistance than standard case hardened pins. Donghua CP roller chains are used for tough environments, high speed, high frequency of movement in the bearing area resisting wear much better than case hardened pins. In combination with highly sophisticated lubricant, this technology offers unique performance in wear resistance. All Donghua roller chains are: Pre-loaded, Fatigue resistant, Wear resistant and Pre-lubricated. Donghua simplex, duplex and triplex roller chains are manufactured according to ISO 606 DIN8188, standard pre-loaded, pre-lubricated, do have seamless rollers and are marked with production batch code number for complete traceability. All Donghua roller chains are sealed in plastic bags and packed in cardboard boxes with clear ISO 606 DIN descriptions and safety instructions. Standard packaging size is 5 meter box, reels are available on request. Cut to length service is available on request. Several test certificates like breaking load, length tolerance and material analyses are possible and available on request. Rollers chains which are needed for 'run as pairs' applications can be matched as pairs on request. DIN, 1/2DIN and 1/3DIN length tolerance are possible, please ask us for a quotation. For high temperature, low temperature, food application or special environments different kind of special lubricants are available. Please ask our sales team for any special needs. For drive chain calculation and right dimension check, please contact our engineering department, also see drive chain calculation data sheet on page 301. By filling this data sheet and sending this to our engineering department you will receive a detailed drive chain calculation including life time expectation. Sprockets are available for all roller chains, with pilot bore, fixed bore, keyway, setscrew or bearing bore with grooves. Standard toothing, hardened toothing or special toothing are possible with pilot bore, fixed bore or taper bush. Chain tools, tensioners and chain lubricants please see page 302-310.

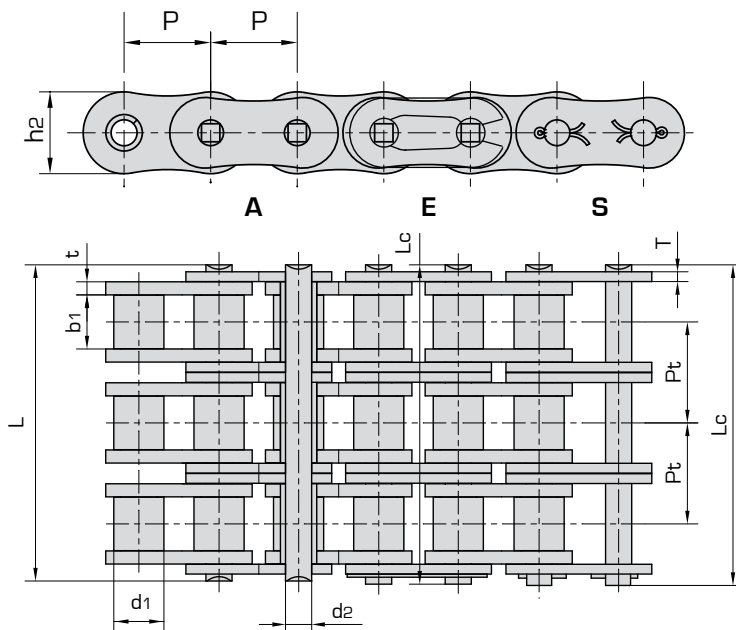
Short pitch heavy duty precision roller chains (A series)

heavy duty HSP series high strength with hard chromized pins

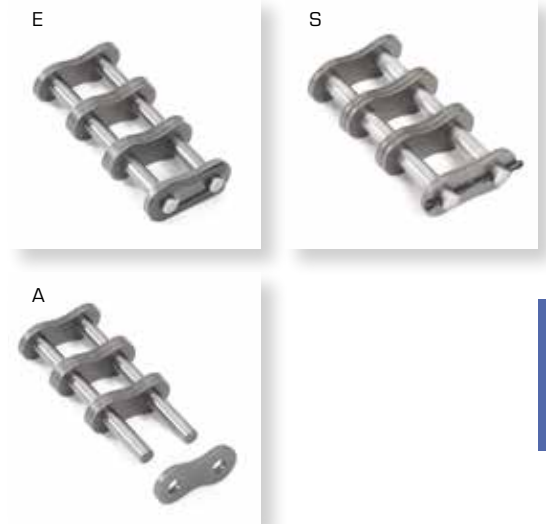
Triplex roller chains & bush chains

| Part nr. | DIN/ISO 606 Chain no. | ANSI Chain no. | Pitch | Roller diameter | Width between inner plates | Pin diameter | Pin length | | Inner plate depth | Plate thickness | Transverse pitch |
|----------------------|-----------------------------|-------------------|--------|--------------------|-------------------------------------|-----------------|------------|--------|-------------------------|--------------------|---------------------|
| | | | | | | | L max | Lc max | | | |
| | | | P | d1 max | b1 min | d2 max | L max | Lc max | h2 max | T max | |
| | | | mm | mm | mm | mm | mm | mm | mm | mm | mm |
| 10080-3HSPCP | 16A-3 | 80-3 | 25,400 | 15,88 | 15,75 | 7,94 | 101,4 | 104,6 | 24,10 | 4,00 | 32,59 |
| 100100-3HSPCP | 20A-3 | 100-3 | 31,750 | 19,05 | 18,95 | 9,54 | 121,8 | 125,1 | 30,10 | 4,80 | 39,09 |
| 100120-3HSPCP | 24A-3 | 120-3 | 38,100 | 22,23 | 25,22 | 11,11 | 151,2 | 155,2 | 36,20 | 5,60 | 48,87 |
| 100140-3HSPCP | 28A-3 | 140-3 | 44,450 | 25,40 | 25,22 | 12,71 | 162,0 | 166,6 | 42,20 | 6,40 | 52,20 |
| 100160-3HSPCP | 32A-3 | 160-3 | 50,800 | 28,58 | 31,55 | 14,29 | 192,0 | 196,8 | 48,20 | 7,20 | 61,90 |
| 100200-3HSPCP | 40A-3 | 200-3 | 63,500 | 39,68 | 37,85 | 19,85 | 243,2 | 250,1 | 60,30 | 9,50 | 78,31 |

* All connecting links have standard connecting plates with press fit difficult to mount but increase fatigue resistance by 15%.



| Ultimate tensile strength | Average tensile strength | Weight per meter | Available chain parts | | | | | |
|---------------------------|--------------------------|------------------|-----------------------|----|---|---|---|---|
| Q min | Q0 | q | | | | | | |
| kN/lbf | kN | kg/m | E* | S* | L | C | A | |
| 267,6/60200 | 294,3 | 9,95 | X | | | | | X |
| 395,4/88948 | 435,0 | 14,53 | | X | | | | X |
| 534,5/120250 | 588,0 | 21,12 | | X | | | | X |
| 696,5/156448 | 765,0 | 25,88 | | X | | | | X |
| 882,7/198576 | 971,0 | 34,22 | | X | | | | X |
| 1627,3/366073 | 1790,0 | 57,29 | | X | | | | X |



Solution range



The Donghua HSP Series. The thickness of the link plates is the same as the H & HV Series roller chains. The special pin material is also through-hardened which provides a higher tensile strength and a higher shock load resistance than SP Series roller chains. The pitch holes are critically formed and ball drifted. HSP Series roller chain can be used to replace the next larger size of ANSI standard roller chain, making them ideal for applications where space is limited. Best suited for low speed operating conditions - up to 50 m/min. Donghua CP roller chains are built with hard chromized pins. The surface hardness is more than 1100 HV10 offering a +30% higher wear resistance than standard case hardened pins. Donghua CP roller chains are used for tough environments, high speed, high frequency of movement in the bearing area resisting wear much better than case hardened pins. In combination with highly sophisticated lubricant, this technology offers unique performance in wear resistance. All Donghua roller chains are: Pre-loaded, Fatigue resistant, Wear resistant and Pre-lubricated. Donghua simplex, duplex and triplex roller chains are manufactured according to ISO 606 DIN8188, standard pre-loaded, pre-lubricated, do have seamless rollers and are marked with production batch code number for complete traceability. All Donghua roller chains are sealed in plastic bags and packed in cardboard boxes with clear ISO 606 DIN descriptions and safety instructions. Standard packaging size is 5 meter box, reels are available on request. Cut to length service is available on request. Several test certificates like breaking load, length tolerance and material analyses are possible and available on request. Rollers chains which are needed for 'run as pairs' applications can be matched as pairs on request. DIN, 1/2DIN and 1/3DIN length tolerance are possible, please ask us for a quotation. For high temperature, low temperature, food application or special environments different kind of special lubricants are available. Please ask our sales team for any special needs. For drive chain calculation and right dimension check, please contact our engineering department, also see drive chain calculation data sheet on page 301. By filling this data sheet and sending this to our engineering department you will receive a detailed drive chain calculation including life time expectation. Sprockets are available for all roller chains, with pilot bore, fixed bore, keyway, setscrew or bearing bore with grooves. Standard toothing, hardened toothing or special toothing are possible with pilot bore, fixed bore or taper bush. Chain tools, tensioners and chain lubricants please see page 302-310.

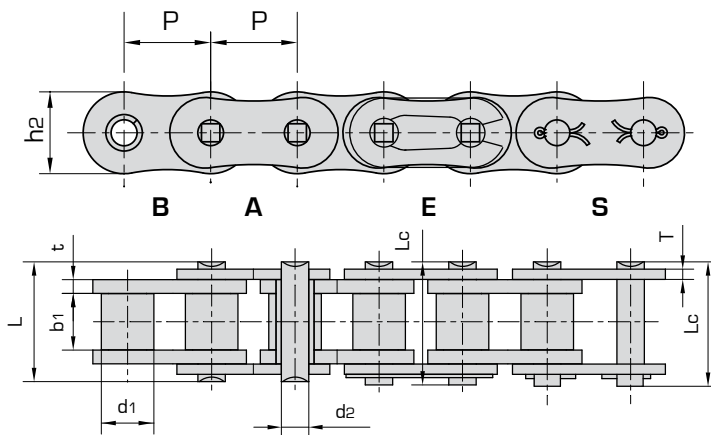
Short pitch heavy duty precision roller chains (A series)

heavy duty UHSP series ultra high strength

Simplex roller chains & bush chains

| Part nr. | DIN/ISO 606 Chain no. | ANSI Chain no. | Pitch | Roller diameter | Width between inner plates | Pin diameter | Pin length | | Inner plate depth | Plate thickness |
|--------------|-----------------------------|-------------------|--------|--------------------|-------------------------------------|-----------------|------------|--------|-------------------------|--------------------|
| | | | | | | | L max | Lc max | | |
| | | | P | d1 max | b1 min | d2 max | L max | Lc max | h2 max | T max |
| | | | mm | mm | mm | mm | mm | mm | mm | mm |
| 10080-1UHSP | 16A-1 | 80 | 25,400 | 15,88 | 15,75 | 7,94 | 36,20 | 38,90 | 24,10 | 4,00 |
| 100100-1UHSP | 20A-1 | 100 | 31,750 | 19,05 | 19,05 | 10,32 | 44,70 | 47,70 | 30,10 | 4,80 |
| 100120-1UHSP | 24A-1 | 120 | 38,100 | 22,23 | 25,40 | 12,28 | 55,10 | 59,10 | 36,20 | 5,60 |
| 100140-1UHSP | 28A-1 | 140 | 44,450 | 25,40 | 25,40 | 13,97 | 59,00 | 63,70 | 42,20 | 6,40 |
| 100160-1UHSP | 32A-1 | 160 | 50,800 | 28,58 | 31,75 | 15,62 | 69,00 | 74,70 | 48,20 | 7,10 |
| 100200-1UHSP | 40A-1 | 200 | 63,500 | 39,68 | 38,10 | 20,41 | 85,90 | 93,90 | 60,30 | 9,50 |

*All connecting links have standard connecting plates with press fit! Difficult to mount but increases fatigue resistance by 15%. Please ask our technical staff for the available tooling to mount these connecting links.



| Ultimate tensile strength | Average tensile strength | Weight per meter | Available chain parts | | | | | | |
|---------------------------|--------------------------|------------------|-----------------------|----|---|---|---|---|--|
| Q min | Q0 | q | E* | S* | L | C | A | B | |
| kN/lbf | kN | kg/m | | | | | | | |
| 89,2/20066 | 98,1 | 3,36 | X | X | | | X | X | |
| 149,0/15200 | 172,0 | 5,07 | | X | | | X | X | |
| 213,0/21700 | 245,0 | 7,22 | | X | | | X | X | |
| 273,0/27800 | 314,0 | 9,24 | | X | | | X | X | |
| 341,0/34800 | 392,0 | 12,19 | | X | | | X | X | |
| 580,0/59100 | 667,0 | 20,47 | | X | | | X | X | |



Solution range



Donghua ANSI Ultra Heavy Super Power roller chains offer the highest breaking loads and highest fatigue resistance by using reinforced thicker plates. Specially selected material offers a higher wear resistance than standard material. This New Donghua Solution Range UHSP - Series offers 150% more Tensile Strength and 170% more Shock Load Resistance than the Standard ANSI Series. Special material alloys, special heat treatments, special design and tolerances results in this unique Tensile Strength and Shock Load Resistance. All Donghua roller chains are: Pre-loaded, Fatigue resistant, Wear resistant and Pre-lubricated. Donghua simplex, duplex and triplex roller chains are manufactured according to ISO 606 DIN8188, standard pre-loaded, pre-lubricated, do have seamless rollers and are marked with production batch code number for complete traceability. All Donghua roller chains are sealed in plastic bags and packed in cardboard boxes with clear ISO 606 DIN descriptions and safety instructions. Standard packaging size is 5 meter box, reels are available on request. Cut to length service is available on request. Several test certificates like breaking load, length tolerance and material analyses are possible and available on request. Rollers chains which are needed for 'run as pairs' applications can be matched as pairs on request. DIN, 1/2DIN and 1/3DIN length tolerance are possible, please ask us for a quotation. For high temperature, low temperature, food application or special environments different kind of special lubricants are available. Please ask our sales team for any special needs. For drive chain calculation and right dimension check, please contact our engineering department, also see drive chain calculation data sheet on page 301. By filling this data sheet and sending this to our engineering department you will receive a detailed drive chain calculation including life time expectation. Sprockets are available for all roller chains, with pilot bore, fixed bore, keyway, setscrew or bearing bore with grooves. Standard toothing, hardened toothing or special toothing are possible with pilot bore, fixed bore or taper bush. Chain tools, tensioners and chain lubricants please see page 302-310.

Works norm and other roller chains

Special and works norm bush and roller chains

| Part nr. | Worksnom | Donghua Chain no. | Pitch | Roller diameter | Width between inner plates | Pin diameter | Pin length | | Inner plate depth | Plate thickness | Transverse pitch |
|--------------|------------|-------------------|--------|-----------------|----------------------------|--------------|------------|--------|-------------------|-----------------|------------------|
| | | | P | d1 max | b1 min | d2 max | L max | Lc max | h2 max | T max | |
| | | | mm | mm | mm | mm | mm | mm | mm | mm | |
| 11006BF30-2 | 06BF30-2 | 06BF30-2 | 9.525 | 6.35 | 5.40 | 3.28 | 23.7 | 23.70 | 9.60 | 1.60 | 10.24 |
| 110A06B-2 | A06B-2 | A06B-2 | 9.525 | 6.35 | 5.72 | 3.28 | 23.4 | 24.40 | 8.20 | 1.30 | 10.24 |
| 110205 | 205 | 205 | 12.700 | 8.51 | 6.40 | 4.45 | 15.2 | 16.30 | 11.80 | 1.6/1.3 | |
| 110423 | 423 | 423 | 12.700 | 8.51 | 6.40 | 4.45 | 15.6 | 17.10 | 12.40 | 1.70 | |
| 110478 | 478 | 478 | 12.700 | 7.80 | 4.80 | 4.00 | 11.6 | 13.65 | 10.46 | 1.25 | |
| 11008AKTF1 | 08AKTF1 | 08AKTF1 | 12.700 | 7.95 | 7.85 | 3.96 | 16.6 | 17.80 | 12.00 | 1.50 | |
| 11008BF | 08BF | 08BF | 12.700 | 8.51 | 5.55 | 4.45 | 14.6 | 16.10 | 11.80 | 1.60 | |
| 110170GSX | 170GSX | 170GSX | 12.700 | 7.75 | 6.45 | 3.96 | 14.8 | 16.40 | 11.50 | 1.6/1.4 | |
| 11006BF30 | 415B/083 | 415B | 12.700 | 7.75 | 4.88 | 4.09 | 12.9 | 14.40 | 10.30 | 1.30 | |
| 110415BF1 | 415BF1 | 415BF1 | 12.700 | 7.75 | 4.88 | 4.09 | 11.5 | 13.00 | 10.30 | 1.00 | |
| 110415BF3 | 415BF3 | 415BF3 | 12.700 | 7.75 | 4.80 | 4.09 | 11.6 | 13.65 | 10.30 | 1.20 | |
| 110415BF5 | 415BF5 | 415BF5 | 12.700 | 7.75 | 5.10 | 4.09 | 14.4 | 16.00 | 9.90 | 1.8/1.6 | |
| 110415BF7 | 415BF7 | 415BF7 | 12.700 | 7.75 | 4.88 | 3.58 | 13.8 | 15.00 | 10.30 | 1.30 | |
| 110415F19 | 415F19 | 415F19 | 12.700 | 7.77 | 4.76 | 3.60 | 11.0 | 12.40 | 9.70 | 1.00 | |
| 110415H | 415H | 415H | 12.700 | 7.77 | 4.76 | 3.96 | 13.1 | 14.50 | 12.00 | 1.50 | |
| 110AF13 | 10AF13 | 10AF13 | 15.875 | 10.16 | 16.31 | 5.08 | 27.6 | 29.10 | 15.09 | 2.03 | |
| 11010AF50 | 10AF50 | 10AF50 | 15.875 | 14.20 | 19.40 | 5.08 | 30.9 | 32.60 | 13.00 | 2.03 | |
| 11010BF19 | 10BF19 | 10BF19 | 15.875 | 10.16 | 6.45 | 5.08 | 16.4 | 18.20 | 14.70 | 1.70 | |
| 11010BF20 | 10BF20 | 10BF20 | 15.875 | 10.16 | 6.45 | 5.08 | 16.4 | 18.20 | 14.70 | 1.70 | |
| 11010BF68 | 10BF68 | 10BF68 | 15.875 | 10.16 | 9.65 | 5.08 | 18.5 | 19.90 | 14.70 | 1.7/1.5 | |
| 110C10BF56-2 | #C10BF56-2 | #C10BF56-2 | 15.875 | 10.16 | 9.65 | 5.08 | 35.8 | 37.20 | 13.90 | 1.70 | 16.59 |
| 110515 | 515 | 515 | 19.050 | 12.07 | 13.50 | 5.72 | 28.6 | 31.30 | 16.20 | 3.00 | |
| 11012AF86-2 | 12AF86-2 | 12AF86-2 | 19.050 | 11.91 | 12.57 | 5.94 | 47.0 | 49.60 | 18.00 | 2.42 | 20.90 |
| 110BF14 | 12BF14 | 12BF14 | 19.050 | 12.07 | 30.56 | 5.72 | 42.0 | 43.6 | 16.00 | 1.85 | |

Straight side plate

*Bush chain: d1 in the table indicates the external diameter of the bush.

| Ultimate tensile strength | Average tensile strength | Weight per meter | Available chain parts | | | | | | | |
|---------------------------|--------------------------|------------------|-----------------------|----|---|----|----|---|---|---|
| | | | Q min | Q0 | q | E* | S* | L | C | A |
| kN/lbf | kN | kg/m | | | | | | | | |
| 16.50/3748 | 18.15 | 1.050 | X | | X | | | X | X | |
| 16.90/3841 | 18.70 | 0.750 | X | | X | | | X | X | |
| 18.00/4049 | 19.00 | 0.850 | X | | X | | | X | X | |
| 19.60/4455 | 21.90 | 0.710 | X | | X | | | X | X | |
| 9.80/2227 | 12.80 | 0.390 | X | | | | | X | X | |
| 8.30/1886 | 9.13 | 0.625 | X | | | | | X | X | |
| 17.80/4045 | 19.20 | 0.660 | X | | | | | X | X | |
| 17.15/3860 | 18.50 | 0.620 | X | | X | | | X | X | |
| 12.00/2727 | 14.20 | 0.450 | X | | X | | | X | X | |
| 9.00/2045 | 10.60 | 0.380 | X | | X | | | X | X | |
| 9.80/2227 | 10.70 | 0.430 | X | | X | | | | X | |
| 16.00/3600 | 16.50 | 0.460 | X | | X | | | X | X | |
| 6.00/1363 | 10.70 | 0.400 | X | | X | | | X | X | |
| 6.86/1559 | 7.60 | 0.320 | X | | X | | | X | X | |
| 14.40/3273 | 16.10 | 0.550 | X | | X | | | | X | |
| 21.80/4952 | 23.90 | 1.350 | X | | | | | X | X | |
| 16.40/3726 | 18.00 | 2.140 | X | | | | | X | X | |
| 22.00/5000 | 24.20 | 0.890 | X | | X | | | X | X | |
| 23.60/5363 | 25.96 | 0.860 | X | | | | | X | X | |
| 22.40/5090 | 24.64 | 0.930 | X | | | | | X | X | |
| 44.50/10113 | 48.95 | 1.700 | X | | | | | X | X | |
| 30.00/6748 | 33.00 | 1.830 | X | | X | | | X | | |
| 62.30/14158 | 68.53 | 3.580 | X | | | | | X | | |
| 29.00/6591 | 32.20 | 2.13 | X | | | | | X | | |



Solution range

Donghua works standard roller chains are designed for special applications and are often developed for specific OEM requirements. All Donghua roller chains are: Pre-loaded, Fatigue resistant, Wear resistant and Pre-lubricated. Donghua simplex, duplex and triplex roller chains are manufactured according to ISO 606 DIN8188, standard pre-loaded, pre-lubricated, do have seamless rollers and are marked with production batch code number for complete traceability. All Donghua roller chains are sealed in plastic bags and packed in cardboard boxes with clear ISO 606 DIN descriptions and safety instructions. Standard packaging size is 5 meter box, reels are available on request. Cut to length service is available on request. Several test certificates like breaking load, length tolerance and material analyses are possible and available on request. Rollers chains which are needed for 'run as pairs' applications can be matched as pairs on request. DIN, 1/2DIN and 1/3DIN length tolerance are possible, please ask us for a quotation. For high temperature, low temperature, food application or special environments different kind of special lubricants are available. Please ask our sales team for any special needs. For drive chain calculation and right dimension check, please contact our engineering department, also see drive chain calculation data sheet on page 301. By filling this data sheet and sending this to our engineering department you will receive a detailed drive chain calculation including life time expectation. Sprockets are available for all roller chains, with pilot bore, fixed bore, keyway, setscrew or bearing bore with grooves. Standard toothing, hardened toothing or special toothing are possible with pilot bore, fixed bore or taper bush. Chain tools, tensioners and chain lubricants please see page 302-310.

Works norm and other roller chains

Special and works norm bush and roller chains

| Part nr. | Worksnorm | Donghua Chain no. | Pitch | Roller diameter | Width between inner plates | Pin diameter | Pin length | | Inner plate depth | Plate thickness | Transverse pitch |
|-------------|-----------|-------------------|--------|-----------------|----------------------------|--------------|------------|--------|-------------------|-----------------|------------------|
| | | | | | | | L max | Lc max | | | |
| | | | | | | | P | d1 max | | | |
| | | mm | | mm | | mm | | mm | | mm | |
| 11012BF55-2 | 12BF55-2 | 12BF55-2 | 19.050 | 12.07 | 11.68 | 5.72 | 43.2 | 44.8 | 16.00 | 2.42 | 19.46 |
| 11012BF58 | 12BF58 | 12BF58 | 19.050 | 12.70 | 31.40 | 5.72 | 43.5 | 46.2 | 16.00 | 2.03 | |
| 11014BF1 | 14BF1 | 14BF1 | 22.225 | 14.30 | 14.60 | 9.00 | 36.3 | 38.0 | 23.50 | 4.80/4.0 | |
| 11016AF52 | 16AF52 | 16AF52 | 25.400 | 15.88 | 78.00 | 7.92 | 95.6 | 99.1 | 24.00 | 3.25 | |
| 110AF62 | 16AF62 | 16AF62 | 25.400 | 15.88 | 47.00 | 7.92 | 64.3 | 67.8 | 24.00 | 3.25 | |
| 110AF93 | 16AF93 | 16AF93 | 25.400 | 15.88 | 12.70 | 7.92 | 25.0 | 28.5 | 20.50 | 2.03 | |
| 110AF94 | 16AF94 | 16AF94 | 25.400 | 15.88 | 33.50 | 7.92 | 50.5 | 52.0 | 24.00 | 3.25 | |
| 11016BF1 | 16BF1 | 16BF1 | 25.400 | 15.88 | 12.20 | 8.28 | 31.4 | 32.7 | 21.00 | 4.15/3.1 | |
| 11016B-BF1 | *16B-BF1 | *16B-BF1 | 25.400 | 11.71 | 17.02 | 8.28 | 36.1 | 39.1 | 21.00 | 3.10 | |
| 11016BF2 | 16BF2 | 16BF2 | 25.400 | 15.88 | 17.02 | 8.28 | 38.6 | 39.8 | 21.00 | 4.15 | |
| 11016BF33 | 16BF33 | 16BF33 | 25.400 | 15.88 | 12.70 | 8.28 | 32.2 | 35.1 | 21.00 | 3.10 | |
| 11016BF5 | 16BF5 | 16BF5 | 25.400 | 15.88 | 12.70 | 8.28 | 30.8 | 32.1 | 20.00 | 3.50/3.0 | |
| 11016BF92 | 16BF92 | 16BF92 | 25.400 | 15.88 | 17.02 | 8.28 | 36.1 | 39.1 | 21.00 | 4.15/3.1 | |
| 11020AF22 | 20AF22 | 20AF22 | 31.750 | 19.05 | 18.90 | 9.53 | 44.7 | 44.7 | 30.00 | 4.00 | |
| 11020AF26 | 20AF26 | 20AF26 | 31.750 | 19.05 | 30.80 | 9.53 | 64.0 | 64.0 | 30.00 | 4.00 | |
| 11020AF31-5 | 20AF31-5 | 20AF31-5 | 31.750 | 19.05 | 18.90 | 9.53 | 183.6 | 187.9 | 30.10 | 4.00 | 35.76 |
| 11020AFT-2 | 20AFT-2 | 20AFT-2 | 31.750 | 19.05 | 18.90 | 9.53 | 76.4 | 80.5 | 30.10 | 4.00 | 35.76 |
| 11020BF14 | 20BF14 | 20BF14 | 31.750 | 19.05 | 19.56 | 10.19 | 45.6 | 49.3 | 26.40 | 5.60/4.5 | |
| 11020BF19 | 20BF19 | 20BF19 | 31.750 | 30.00 | 19.56 | 10.19 | 41.3 | - | 26.40 | 4.50/3.5 | |
| 11024BF7 | *24BF7 | *24BF7 | 38.100 | 18.42 | 25.40 | 14.63 | 53.4 | 57.8 | 33.20 | 6.00/4.8 | |
| 110C24BF18 | #C24BF18 | #C24BF18 | 38.100 | 25.40 | 25.40 | 14.63 | 53.4 | 57.8 | 33.00 | 6.00/4.8 | |
| 110C24BF19 | #C24BF19 | #C24BF19 | 38.100 | 25.40 | 25.40 | 14.63 | 53.4 | 57.8 | 35.80 | 6.00/4.8 | |

Straight side plate

*Bush chain: d1 in the table indicates the external diameter of the bush.

| Ultimate tensile strength | Average tensile strength | Weight per meter | Available chain parts | | | | | | |
|---------------------------|--------------------------|------------------|-----------------------|----|---|---|---|---|--|
| Q min | Q0 | q | E* | S* | L | C | A | B | |
| kN/lbf | kN | kg/m | | | | | | | |
| 57.80/13136 | 63.58 | 2.51 | X | | | | X | X | |
| 29.00/6591 | 32.20 | 2.36 | X | | | | X | X | |
| 75.00/16871 | 82.50 | 3.59 | X | | | | X | X | |
| 56.70/12882 | 62.00 | 6.46 | X | | | | X | X | |
| 56.70/12882 | 62.00 | 4.29 | X | | | | X | X | |
| 28.00/63616 | 30.80 | 1.74 | X | | | | X | X | |
| 55.60/12636 | 61.16 | 3.77 | X | | | | X | X | |
| 60.00/13636 | 71.40 | 2.51 | X | | | | X | X | |
| 60.00/13636 | 66.00 | 2.33 | X | | | | X | X | |
| 60.00/13636 | 71.40 | 3.08 | X | | | | X | X | |
| 60.00/13636 | 66.00 | 2.54 | X | | | | X | X | |
| 50.00/11364 | 57.50 | 2.37 | X | | X | | X | X | |
| 60.00/13636 | 66.00 | 2.76 | X | | | | X | X | |
| 50.00/11360 | 55.00 | 3.97 | | X | | | X | X | |
| 86.70/19704 | 95.37 | 5.03 | | X | | | X | X | |
| 550.00/124998 | 605.00 | 20.20 | | X | | | X | X | |
| 211.68/48093 | 232.00 | 8.09 | | X | | | X | X | |
| 105.00/23856 | 115.50 | 4.57 | | X | | | X | X | |
| 95.00/21590 | 104.50 | 5.86 | | X | | | X | X | |
| 170.00/38635 | 187.00 | 5.80 | | X | | | X | X | |
| 160.00/36363 | 176.00 | 7.49 | | X | | | X | X | |
| 160.00/36363 | 176.00 | 8.05 | | X | | | X | X | |



Solution range

Donghua works standard roller chains are designed for special applications and are often developed for specific OEM requirements. All Donghua roller chains are: Pre-loaded, Fatigue resistant, Wear resistant and Pre-lubricated. Donghua simplex, duplex and triplex roller chains are manufactured according to ISO 606 DIN8188, standard pre-loaded, pre-lubricated, do have seamless rollers and are marked with production batch code number for complete traceability. All Donghua roller chains are sealed in plastic bags and packed in cardboard boxes with clear ISO 606 DIN descriptions and safety instructions. Standard packaging size is 5 meter box, reels are available on request. Cut to length service is available on request. Several test certificates like breaking load, length tolerance and material analyses are possible and available on request. Rollers chains which are needed for 'run as pairs' applications can be matched as pairs on request. DIN, 1/2DIN and 1/3DIN length tolerance are possible, please ask us for a quotation. For high temperature, low temperature, food application or special environments different kind of special lubricants are available. Please ask our sales team for any special needs. For drive chain calculation and right dimension check, please contact our engineering department, also see drive chain calculation data sheet on page 301. By filling this data sheet and sending this to our engineering department you will receive a detailed drive chain calculation including life time expectation. Sprockets are available for all roller chains, with pilot bore, fixed bore, keyway, setscrew or bearing bore with grooves. Standard toothing, hardened toothing or special toothing are possible with pilot bore, fixed bore or taper bush. Chain tools, tensioners and chain lubricants please see page 302-310.



Calculation Sheet

Questionnaire for Donghua chain drives

| Drive (input) | | | |
|---|---------|-------------------|-------------------|
| Electric, hydraulic, pneumatic combustion engine/ motors (2,4, or 6 cylinders)? | | | - |
| Power output? | | | kW |
| RPM? (after reduction) | | | min ⁻¹ |
| Max. torque? | With n= | min ⁻¹ | Nm |
| Continuous power or peak power? | | | - |
| Speed constant, varying or impulsive? | | | - |
| Operating time, cyclic operation? | | | - |
| Are shock absorbing transmission-elements present (friction clutch)? | | | - |

| Drive (output) | | | |
|---|--|--|-------------------|
| Type of driven machine? | | | - |
| RPM? | | | min ⁻¹ |
| Power requirement? For starting - normal running - max. | | | kW |
| Load even, varying or impulsive? | | | - |
| Direction of rotation continuous or alternating (show in diagram) | | | - |

| Chain drive | | | |
|--|--|---|----|
| Centre distance | | | mm |
| Does the design allow the centre distance to be adjusted | | ± | mm |
| Possibility to use tensioners? (adjustability, idler, chain guide, max. pitch circle diameter) | | | - |
| Could the centre distance alter in service? e.g. rear wheel suspension on a motorcycle | | | - |
| Required or current ratio respectively? | | | - |
| Shafts horizontally or vertically positioned? | | | - |
| Can the drive be protected against dirt and dust or can it be enclosed? | | | - |
| What type of lubrication is possible? (manual, drip, oil bath or with oil pressure) | | | - |
| External factors? (temperature in °C, dust, moisture, fibres, sand, aggressive liquids) | | | - |

| Chain | | | |
|---|--|--|---|
| Chain already selected or existing drive? | | | - |
| Is the chain replacing an existing drive? | | | - |
| Max. permissible chain width, height, weight? | | | - |

| Chain Wheels | | | |
|---|------------------|------------------|----|
| Number of teeth? | Z ₁ = | Z ₂ = | - |
| Max. permissible outside diameter, incl. chain? | | | mm |
| Chain wheel as a disc or with hub, pre bored or with finished bore? | | | - |
| Max. permissible chain width, height, weight? | | | - |

Donghua Technical Support Services, E-mail: info@donghua.eu

Donghua Chain Tools

Now available at www.donghua.eu



Categories:

1. Chain Cutters:

- Hand tool chain cutters
- Hand punch cutters
- Hand hydraulic chain cutters

2. Riveting Tools:

- Table block chain breakers
- Wear gauge

3. Mounting tensioners

4. Hand riveting tools

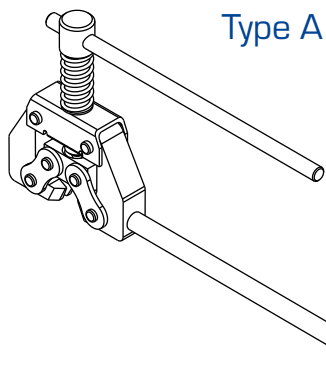
5. Chain lubricants

High precision Donghua chain tools catalogue. Engineered or certified by Donghua International B.V. To ensure proper installation and operation of Donghua chains we recommend using these chain tools.

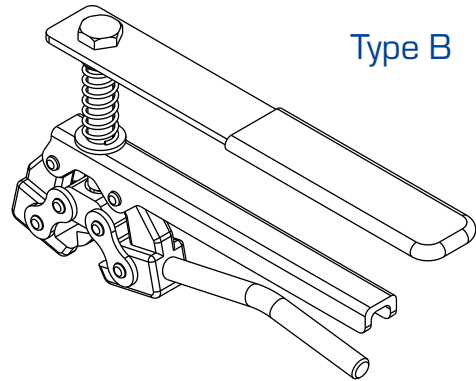
Donghua Chain Cutters

Hand tool chain cutters

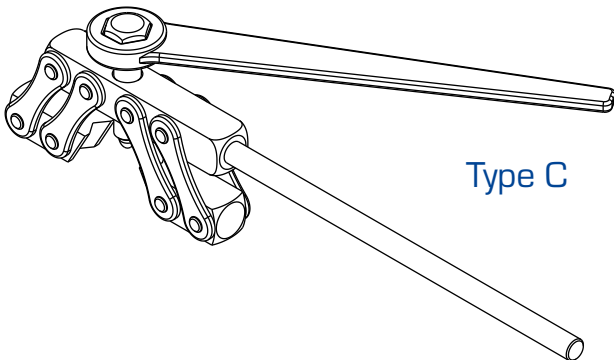
- In all sizes available from 3/8" up to 2" pitch
- Made for both ISO and ANSI norm
- Ideal for chain disassembly
- Comes in 3 different sizes



Type A



Type B

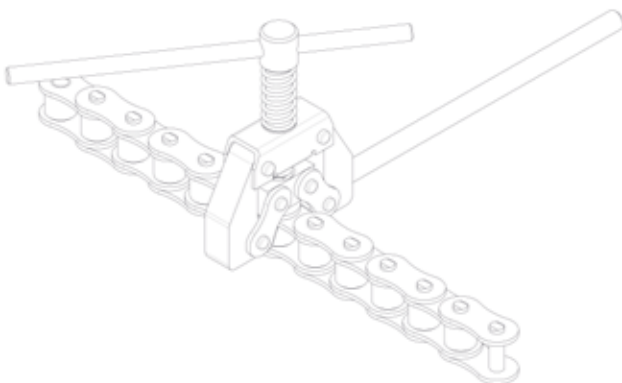


Type C

Chain breaker removes outer link by pressing on the chain pin. Pre-grinding of the pin heads is recommended.

Available pitch sizes:

| No. | Article No. | 3/8" | 1/2" | 5/8" | 3/4" | 1" | 1 1/4" | 1 1/2" | 1 3/4" | 2" |
|-----|-------------|------|------|------|------|----|--------|--------|--------|----|
| 1 | 480TYPE-A | • | • | • | | | | | | |
| 2 | 480TYPE-B | | | | • | • | • | | | |
| 3 | 480TYPE-C | | | | | | | • | • | • |

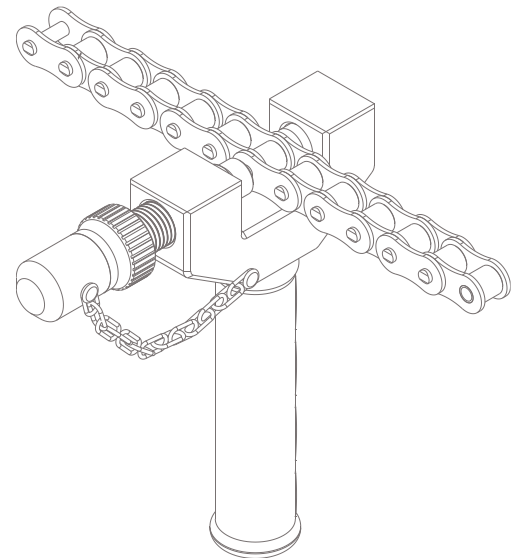


This tool is used to cut chains at specified lengths. After the pins of the chain are forced out, the chain can be disassembled. This tool can easily be used at the work site.

Donghua Chain Cutters

Hand punch chain cutters

- In all available sizes
- Made for both ISO and ANSI norm
- Ideal for chain disassembly
- Comes in 6 different sizes



| Available series | | |
|------------------|------------|---------------------|
| Serie | Pitch | Standard |
| Simplex | | |
| 25S | 6,35 mm | ANSI 25 |
| 35/40S | 3/8", 1/2" | ANSI 40/35, 08B/06B |
| 50S | 5/8" | ANSI 50 / 10B |
| 60S | 3/4" | ANSI 60 / 12B |
| 80S | 1" | ANSI 80 / 16B |
| 100S | 1 1/4" | ANSI 100 / 20B |

| Article | Description | Size |
|---------------|----------------------------|---------------|
| 480WCC25-1 | Whale chain cutter 25-1 | 25 simplex |
| 480WCC35-40-1 | Whale chain cutter 35-40-1 | 35-40 simplex |
| 480WCC50-1 | Whale chain cutter 50-1 | 50 simplex |
| 480WCC60-1 | Whale chain cutter 60-1 | 60 simplex |
| 480WCC80-1 | Whale chain cutter 80-1 | 80 simplex |
| 480WCC100-1 | Whale chain cutter 100-1 | 100 simplex |
| 480WCC35-40-2 | Whale chain cutter 35-40-2 | 35-40 duplex |
| 480WCC50-2 | Whale chain cutter 50-2 | 50 duplex |
| 480WCC60-2 | Whale chain cutter 60-2 | 60 duplex |
| 480WCC80-2 | Whale chain cutter 80-2 | 80 duplex |

Technical information

This tool is used to break chains at specified lengths. After the pens of the chain are forced out, the chain can be disassembled. This tool can easily be used at the working site.

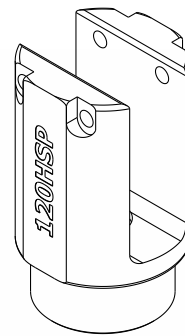
To use this tool a hammer is required. After aligning the chain with the centre pen, a punch from the hammer will break the rivet and disconnect the chain.

Hand hydraulic chain link mounting tool

Technical information

This tool is used to break chains at specified lengths. After the pins of the chain are forced out, the chain can be disassembled. This tool can easily be used at the work site.

Multiple heads available



Element pressing power:
100kN



| Article | Description | |
|-------------|------------------------------------|---------------------------------------|
| 480PFT80-1 | Chain Press Fit Tool ANSI80-1 HSP | Mounting tool for pressfit con. plate |
| 480PFT100-1 | Chain Press Fit Tool ANSI100-1 HSP | Mounting tool for pressfit con. plate |
| 480PFT120-1 | Chain Press Fit Tool ANSI120-1 HSP | Mounting tool for pressfit con. plate |
| 480PFT140-1 | Chain Press Fit Tool ANSI140-1 HSP | Mounting tool for pressfit con. plate |
| 480PFT160-1 | Chain Press Fit Tool ANSI160-1 HSP | Mounting tool for pressfit con. plate |

Table block chain breaker

Table block chain breaker

- Engineered by Donghua International B.V.
- Ideal for cutting large quantities of chains
- Can handle from 5B up to 16B chains
- Drill bushings to reduce wear



If multiple chains need to be cut at a specific length, we recommend using the table block chain breaker.

The overall dimensions are 150 x 150 x 25 mm. You can mount the table block chain breaker on a table with the 4x Ø8,5 mm holes.

| Article | Description | |
|-----------------|---------------------|-------------------------|
| 480CUTTINGBLOCK | Chain cutting block | Pitch 8 mm till 25,4 mm |

Wear gauge



1. From chain type select pitch (P) of chain (example 16B => 1" pitch)
2. Select from required pitch, pos. A, B or 1 3/4" (example 1" pitch = A and 5/8" pitch is B, for 1 3/4" pitch there is a separate position)
3. Position the wear scale with the required pitch position A, B or 1 3/4" to the center of the pin head
4. When the selected pitch, pos. A, B or 1 3/4" appear opposite to the center of the pin head, the chain is worn out (3% wear)



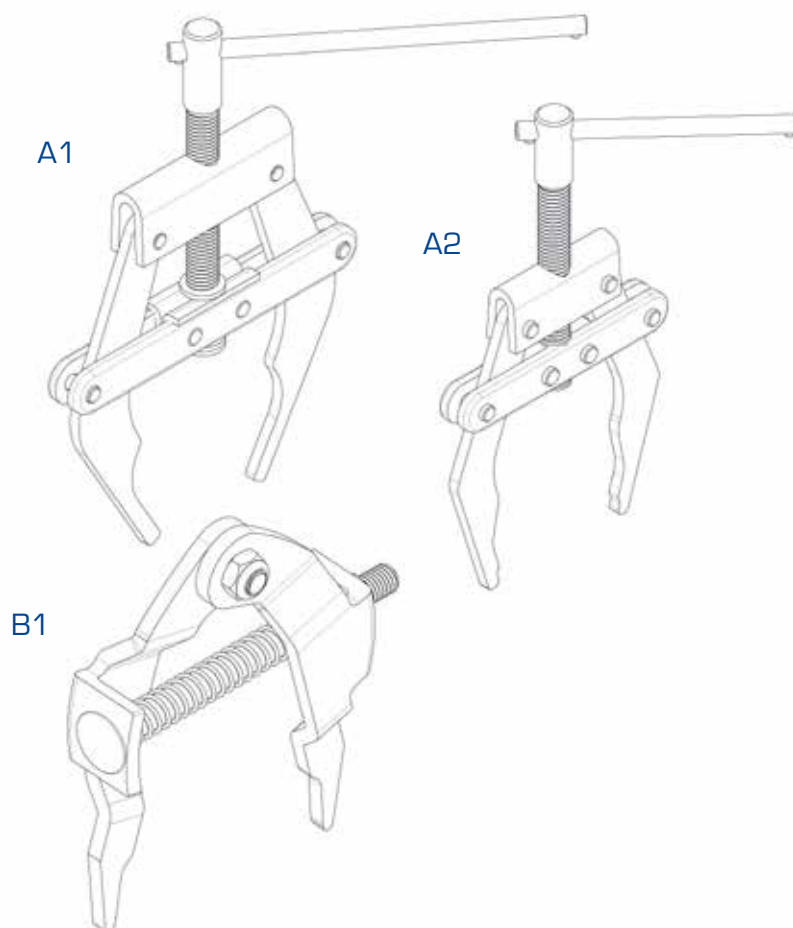
| Article | Description |
|--------------|-------------|
| 850WEARGAUGE | Wear gauge |

Mounting tensioners

Tensioning Chains

These tools are used to tension chains for chain assembling. Due to a mechanical system a threaded axis will create translation by rotation. This translation will bring two ends of a chain together. This will make room for the connection link. The use of a compression spring will give the user more stability.

| | A1 | A2 | B1 |
|--------------------|----|----|----|
| Compressing Spring | | | • |
| ISO | • | • | • |
| ANSI | • | • | • |



| Article | Description | |
|---------|--|----------------------------------|
| 480M-35 | Chain Puller type M-35 (3/8" to 3/4" | 25-60 Donghua DIN & ANSI chain |
| 480M-60 | Chain Puller type M-60 (3/4" to 1 1/4" | 60-100 Donghua DIN & ANSI chain |
| 480M-80 | Chain Puller type M-80 (1 1/4" to 2 1/2" | 100-200 Donghua DIN & ANSI chain |

Riveting Tools

This toolset is used to rivet pens on a chain.

To use this tool a hammer is required. First the chain plates are raised with the raising tool, and then the pens are riveted with a punch from the hammer on the riveting tool.



| Available sizes: | | | | | | | |
|------------------|-----|-------|-------|-------|-------|-------|--------|
| ISO | 04B | 06B | 08B | 10B | 12B | 16B | 20B |
| ANSI | - | ASA35 | ASA40 | ASA50 | ASA60 | ASA80 | ASA100 |

| Chain riveting tools: | | |
|-----------------------|--------------------------------------|---------------------|
| Article | Description | |
| 48OR06BL=60 | Chain riveting tool 06B L=60 mm | Material W6Mo5Cr4V2 |
| 48OR08BL=60 | Chain riveting tool 08B L=60 mm | Material W6Mo5Cr4V2 |
| 48OR10BL=60 | Chain riveting tool 10B L=60 mm | Material W6Mo5Cr4V2 |
| 48OR12BL=60 | Chain riveting tool 12B L=60 mm | Material W6Mo5Cr4V2 |
| 48OR16BL=60 | Chain riveting tool 16B L=60 mm | Material W6Mo5Cr4V2 |
| 48OR20BL=60 | Chain riveting tool 20B L=60 mm | Material W6Mo5Cr4V2 |
| 48OR35L=60 | Chain riveting tool ANSI 35 L=60 mm | Material W6Mo5Cr4V2 |
| 48OR40L=60 | Chain riveting tool ANSI 40 L=60 mm | Material W6Mo5Cr4V2 |
| 48OR50L=60 | Chain riveting tool ANSI 50 L=60 mm | Material W6Mo5Cr4V2 |
| 48OR60L=60 | Chain riveting tool ANSI 60 L=60 mm | Material W6Mo5Cr4V2 |
| 48OR80L=60 | Chain riveting tool ANSI 80 L=60 mm | Material W6Mo5Cr4V2 |
| 48OR100L=60 | Chain riveting tool ANSI 100 L=60 mm | Material W6Mo5Cr4V2 |

Chain raising tools:

| Article | Description | |
|----------------|---|---------------------|
| 480F06BL=60 | Chain fetching-up tool 06B L=60 mm | Material W6Mo5Cr4V2 |
| 480F08BL=60 | Chain fetching-up tool 08B L=60 mm | Material W6Mo5Cr4V2 |
| 480F10BL=80 | Chain fetching-up tool 10B L=80 mm | Material W6Mo5Cr4V2 |
| 480F12BL=80 | Chain fetching-up tool 12B L=80 mm | Material W6Mo5Cr4V2 |
| 480F16BL=80 | CChain fetching-up tool 16B L=80 mm | Material W6Mo5Cr4V2 |
| 480F20BL=80 | Chain fetching-up tool 20B L=80 mm | Material W6Mo5Cr4V2 |
| 480F04BL=60 | Chain fetching-up tool 04B L=60 mm | |
| 480F05BL=60 | Chain fetching-up tool 05B L=60 mm | |
| 480F35L=60 | Chain fetching-up tool ANSI 35 L=60 mm | Material W6Mo5Cr4V2 |
| 480F40L=60 | Chain fetching-up tool ANSI 40 L=60 mm | Material W6Mo5Cr4V2 |
| 480F50L=80 | Chain fetching-up tool ANSI 50 L=80 mm | Material W6Mo5Cr4V2 |
| 480F60L=80 | Chain fetching-up tool ANSI 60 L=80 mm | Material W6Mo5Cr4V2 |
| 480F80L=80 | Chain fetching-up tool ANSI 80 L=80 mm | Material W6Mo5Cr4V2 |
| 480F100L=80 | Chain fetching-up tool ANSI 100 L=80 mm | Material W6Mo5Cr4V2 |

Chain raising tools for extended pins:

| Article | Description | |
|-----------------|---|---------------------|
| 480F04BL=60-EXT | Chain fetching-up tool 04B L=60 mm | Material W6Mo5Cr4V2 |
| 480F05BL=60-EXT | Chain fetching-up tool 05B L=60 mm | Material W6Mo5Cr4V2 |
| 480F06BL=60-EXT | Chain fetching-up tool 06B L=60 mm | Material W6Mo5Cr4V2 |
| 480F08BL=60-EXT | Chain fetching-up tool 08B L=60 mm | Material W6Mo5Cr4V2 |
| 480F10BL=80-EXT | Chain fetching-up tool 10B L=80 mm | Material W6Mo5Cr4V2 |
| 480F12BL=80-EXT | Chain fetching-up tool 12B L=80 mm | Material W6Mo5Cr4V2 |
| 480F16BL=60-EXT | Chain fetching-up tool 16B L=80 mm | Material W6Mo5Cr4V2 |
| 480F20BL=60-EXT | Chain fetching-up tool 20B L=80 mm | Material W6Mo5Cr4V2 |
| 480F35L=60-EXT | Chain fetching-up tool ANSI 35 L=60 mm | Material W6Mo5Cr4V2 |
| 480F40L=60-EXT | Chain fetching-up tool ANSI 40 L=60 mm | Material W6Mo5Cr4V2 |
| 480F50L=80-EXT | Chain fetching-up tool ANSI 50 L=80 mm | Material W6Mo5Cr4V2 |
| 480F60L=80-EXT | Chain fetching-up tool ANSI 60 L=80 mm | Material W6Mo5Cr4V2 |
| 480F80L=80-EXT | Chain fetching-up tool ANSI 80 L=80 mm | Material W6Mo5Cr4V2 |
| 480F100L=80-EXT | Chain fetching-up tool ANSI 100 L=80 mm | Material W6Mo5Cr4V2 |

Chain lubricants



| eXtreme Chain Lube | High Performance Chain Lube | Food Grade Chain Lube |
|---|--|---|
| <p>Extreme protection against corrosion and wear at high pressure. Protects chains and guides against moisture, wear and rust.</p> | <p>High performance chain lube to protect and lubricate chain drives and guides against moisture, wear and rust.</p> | <p>Food grade chain lube is an NSF (class H1) registered lubricant using FDA listed ingredients for use on all types of chains and conveyors. For use in areas where incidental contact with food, beverages or drugs may occur.</p> |
| <ul style="list-style-type: none"> Extends service life Penetrates and lubricates Reduces power consumption Temperature range -5°C to + 120°C Protects against weathering Water and steam repellent Quietens noisy chains Strong resistance to (salt) water spray-off | <ul style="list-style-type: none"> Extends service life Penetrates and lubricates Reduces power consumption Temperature range -5°C to + 120°C Protects against weathering Water and steam repellent Quietens noisy chains Good corrosion protection to water spray-off | <ul style="list-style-type: none"> Good load carrying capabilities Non drip Excellent penetration Temperature range -5°C to + 100°C Resists water wash off Excellent water displacement Protects against corrosion |

| Article | Description | |
|------------------|-------------------------------------|----------------|
| 901DH-LUBE | Donghua STANDARD chain lube | Spray (550 ml) |
| 901DH-LUBE-EXTRA | Donghua EXTREME chain lube | Spray (550 ml) |
| 901DH-LUBE-FOOD | Donghua FOOD grade chain lube (H-1) | Spray (550 ml) |

Contact



Hangzhou Donghua Chain Group Co., Ltd.

1# Changda Road, Xing Wang
Industrial District Lingping, 311102 Hangzhou China
Phone: +86 571 85144575 / 85144947
Fax: +86 571 85042767
hdl@dhchain.com | www.dhchain.com

Donghua International BV

Parelweg 1
1812 RS Alkmaar, The Netherlands
Phone: +31 72 8200 120
Fax: +31 72 540 1996
info@donghua.eu | www.donghua.eu

Donghua USA Inc.

530 Tower Boulevard
Carol Stream, Illinois 60189, USA
Phone: +1 630 682 3058
Fax: +1 630 682 3096
info@dhchain.us | www.dhchain.us

Donghua Industries Europe GmbH

Fixheider Straße 14
51381 Leverkusen, Germany
Phone: +49 2171 39448-0
Fax: +49 2171 39448-60
info@donghua-europe.com | www.donghua-europe.com

Donghua Ltd

Unit 1
Bentley Bridge Business Park
Wednesfield Way, Wednesfield
West Midlands WV11 3SQ
United Kingdom
Phone: +44 1902 866200
Fax: +44 1902 722814
sales@donghua.co.uk | www.donghua.co.uk

Donghua Representation Office CEE

Millenium Office Towers
Office Building H, 7th floor
Lechner Ödön fasor 10
H-1095 Budapest Hungary
Phone +36 30 184 7822
info@donghua-cee.com | www.donghua.eu

Donghua Transmission Co., Ltd.

202 Ratchadapisek Road
Room 1009, 10th FL, Le Concorde Tower
Huay Kwang, Bangkok 10320, Thailand
lijie@dhchain.com | www.dhchain.com



DONGHUA







Drive Chains 2020



Premium
range



Standard
range



Solution
range



donghua.eu

donghua-europe.com | donghua.co.uk