



Product Catalogue
Attachment Chains



Content



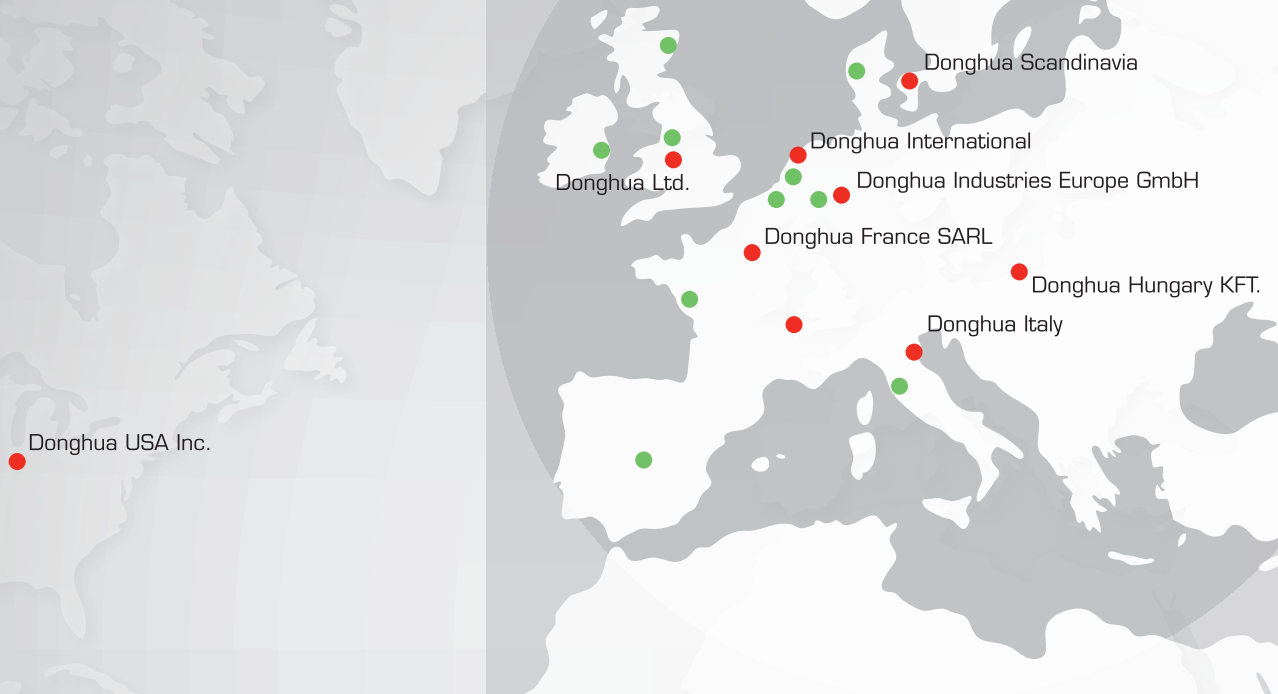
Introduction Donghua Chain Group	6
Quality performance and partners	7
Head quarters and production plants	8
Total range in stock	9
The Donghua attachment chain range	10

Attachment Chains

Short pitch precision roller chains (A series)	12
Short pitch precision roller chains (B series)	15
Universal Attachments	18
Short pitch conveyor chain attachments	19
Conveyor chain special attachments (A series)	35
Conveyor chain special attachments (B series)	41
Short pitch conveyor chains with extended pins	43
Conveyor chains with special extended pins	44
Double pitch conveyor chains	46
Double pitch conveyor chain attachments	47
Double pitch conveyor chain special attachments	55
Double pitch conveyor chains with extended pins	63
Side bow chains	66
Side bow chain attachments	67
Stainless steel roller chains	69
Stainless steel short pitch conveyor chain attachments	70
Stainless steel double pitch conveyor chains	71
Stainless steel double pitch conveyor chain attachments	72
Stainless steel short pitch conveyor chain with extended pins	73
Stainless steel double pitch conveyor chain with extended pins	74

Donghua

The Hangzhou Donghua Chain Group is one of the biggest chain manufacturers in the world. Since the early nineties, Donghua has been producing and branding complete chains for well-known European chain manufacturers. In order to supply our European customers direct, Donghua has established a number of facilities in Europe to create local distribution and warehouse centres carrying substantial stocks. These include: Wolverhampton (UK), Alkmaar (The Netherlands), Leverkusen (Germany), and Budapest (Hungary). Donghua Ltd., Donghua International BV and Donghua Kft are full subsidiary companies of the Donghua Chain Group Co. Ltd. in China.



The Donghua Chain Group Co. Ltd. is located in Hangzhou, an industrial town near to the Chinese East Coast, 300 kilometres from Shanghai. Donghua employs more than 300 employees, working together they produce more than 30 million metres of finished chain per year – our extensive product range and production capacity affirm Donghua as one of the biggest chain manufacturers worldwide.

Quality Performance

Chains produced by Donghua's state-of-the-art production facilities are ISO 9001-2000 and API certified. Donghua supplies a large range of standard attachment chains with large stocks in our European distribution centres for immediate delivery. All our chains carry a unique production code for tracking and traceability during and after the production process.

Our customers select Donghua chain because of the unique price:performance ratio of our products. Our European team has over 25 years experience in the design, development and production of chain solutions and this expertise is a perfect fit for the needs of both the OEM and replacement MRO markets.

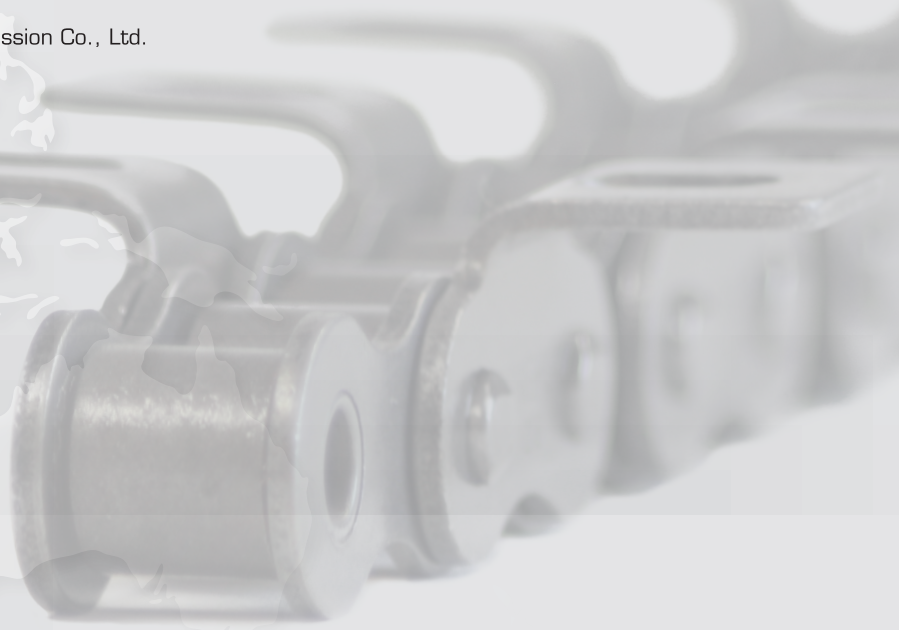
Donghua Chain Group:

- Xinghua
- Linping
- Hangzhou

● Donghua Transmission Co., Ltd.

● Donghua Subsidiaries

● Donghua Partners



Headquarter and production plants



Liping Headquarters

Liping Headquarters

Head office Donghua group

Production of:

- Automotive chains
- Conveyor chains



Liping Branch North

Production of:

- Transmission chains
- Rotary chains
- Oil field chains
- Light transport chains



Liping Branch South

Production of:

- Leaf chains
- Escalator chains
- Agricultural chains



Xinghua Donghua Gear Co., Ltd.

Production of:

- Gears
- Sprockets

Total range in stock

Fundamental to Donghua's growing success is the strategic location of our world-wide distribution centres.

These warehouses are located at key vantage points and carry vast stocks of Donghua chain, enabling us to be both responsive to local demand and dramatically reduce delivery timescales to our customers. All Donghua subsidiaries and partners proactively support each other so all our customers benefit from the availability of the large stocks of chain that each centre holds locally. Having the complete product range available from locally held stocks helps to firmly establish Donghua as one of the world's leading chain manufacturers and distributors.



Donghua Limited - United Kingdom
UK distribution centre

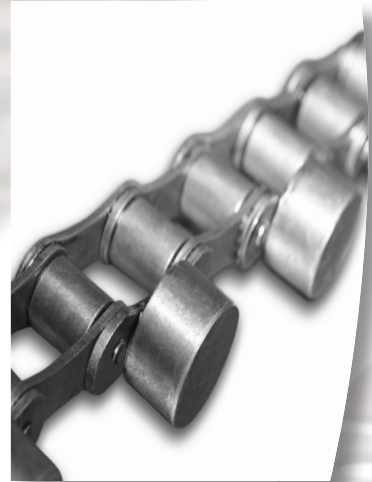


Donghua International BV - The Netherlands
Competence centre industrial and agricultural chains



The Donghua attachment chain range

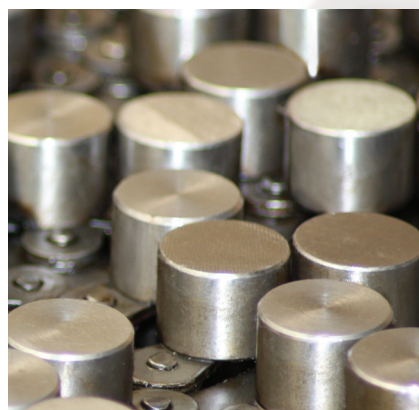




Donghua produces the full range of attachment chain in both British and American standards; with K1, K2, M1, M2 and extended pin attachments in European and British Standards (from 05B to 32B) and ANSI (from 35 to 200), and extended pitch chain in European and British Standards (from 208B to 224B) and ANSI (2040 to 2120) in a variety of finishes including: nickel-plated, stainless steel, coated and self-lube (maintenance free).

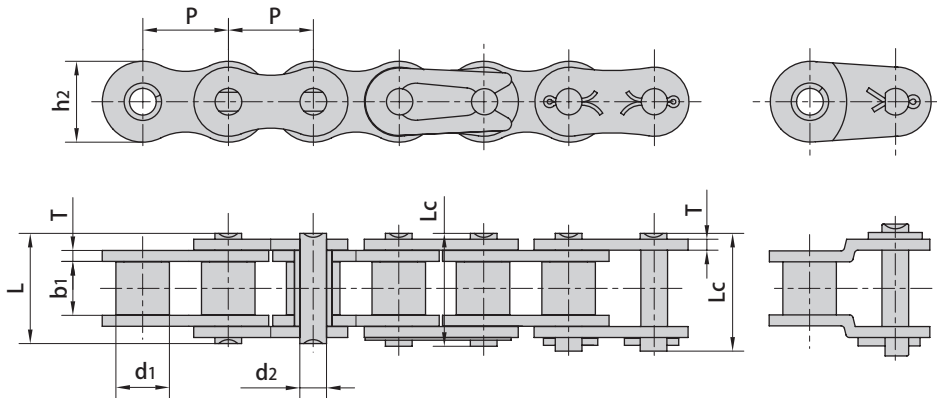
Standard attachment chains are held in stock for immediate delivery, and bespoke attachment chains are made to order using in-house workshop facilities with state-of-the-art measuring equipment that can build, pre-load and match chain to within close tolerances enabling Donghua to supply bespoke attachment chain to customer's specific requirements.

Donghua's range of high performance attachment chain is distributed world-wide for use across a wide spectrum of industries and applications.



Short Pitch Precision Roller Chains (A series)

Simplex roller chains & bush chains

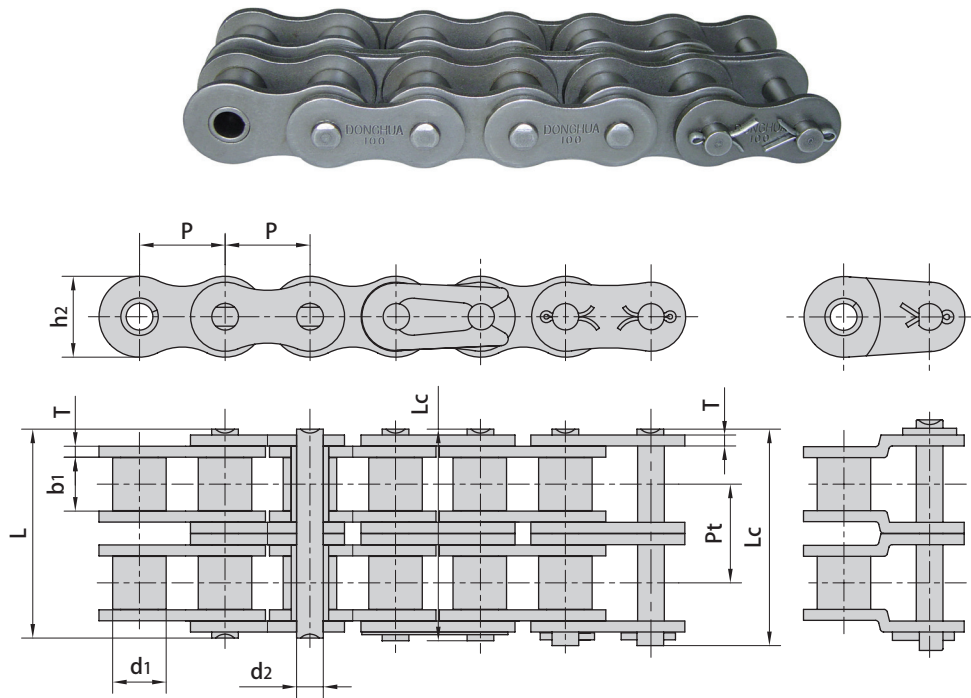


DIN/ISO Chain No.	ANSI Chain No.	Pitch	Roller diameter	Width between inner plates	Pin diameter	Pin length		Inner plate depth	Plate thickness	Ultimate tensile strength	Average tensile strength	Weight per meter
		P	d1 max	b1 min	d2 max	L max	Lc max	h2 max	T max	Q min	Q0	q
		mm	mm	mm	mm	mm	mm	mm	mm	kN/lbf	kN	kg/m
*03C	*15	4.7625	2.48	2.38	1.62	6.10	6.90	4.30	0.60	1.80/409	2.0	0.08
*04C-1	*25	6.3500	3.30	3.18	2.31	7.90	8.40	6.00	0.80	3.50/795	4.6	0.15
*06C-1	*35	9.5250	5.08	4.77	3.58	12.40	13.17	9.00	1.30	7.90/1795	10.8	0.33
085-1	41	12.7000	7.77	6.25	3.58	13.75	15.00	9.91	1.30	6.67/1516	12.6	0.41
08A-1	40	12.7000	7.95	7.85	3.96	16.60	17.80	12.00	1.50	14.10/3205	17.5	0.62
10A-1	50	15.8750	10.16	9.40	5.08	20.70	22.20	15.09	2.03	22.20/5045	29.4	1.02
12A-1	60	19.0500	11.91	12.57	5.94	25.90	27.70	18.00	2.42	31.80/7227	41.5	1.50
16A-1	80	25.4000	15.88	15.75	7.92	32.70	35.00	24.00	3.25	56.70/12886	69.4	2.60
20A-1	100	31.7500	19.05	18.90	9.53	40.40	44.70	30.00	4.00	88.50/20114	109.2	3.91
24A-1	120	38.1000	22.23	25.22	11.10	50.30	54.30	35.70	4.80	127.00/28864	156.3	5.62
28A-1	140	44.4500	25.40	25.22	12.70	54.40	59.00	41.00	5.60	172.40/39182	212.0	7.50
32A-1	160	50.8000	28.58	31.55	14.27	64.80	69.60	47.80	6.40	226.80/51545	278.9	10.10
36A-1	180	57.1500	35.71	35.48	17.46	72.80	78.60	53.60	7.20	280.20/63682	341.8	13.45
40A-1	200	63.5000	39.68	37.85	19.85	80.30	87.20	60.00	8.00	353.80/80409	431.6	16.15
48A-1	240	76.2000	47.63	47.35	23.81	95.50	103.00	72.39	9.50	510.30/115977	622.5	23.20

*Bush chain: d1 in the table indicates the external diameter of the bush.

Short Pitch Precision Roller Chains (A series)

Duplex roller chains & bush chains

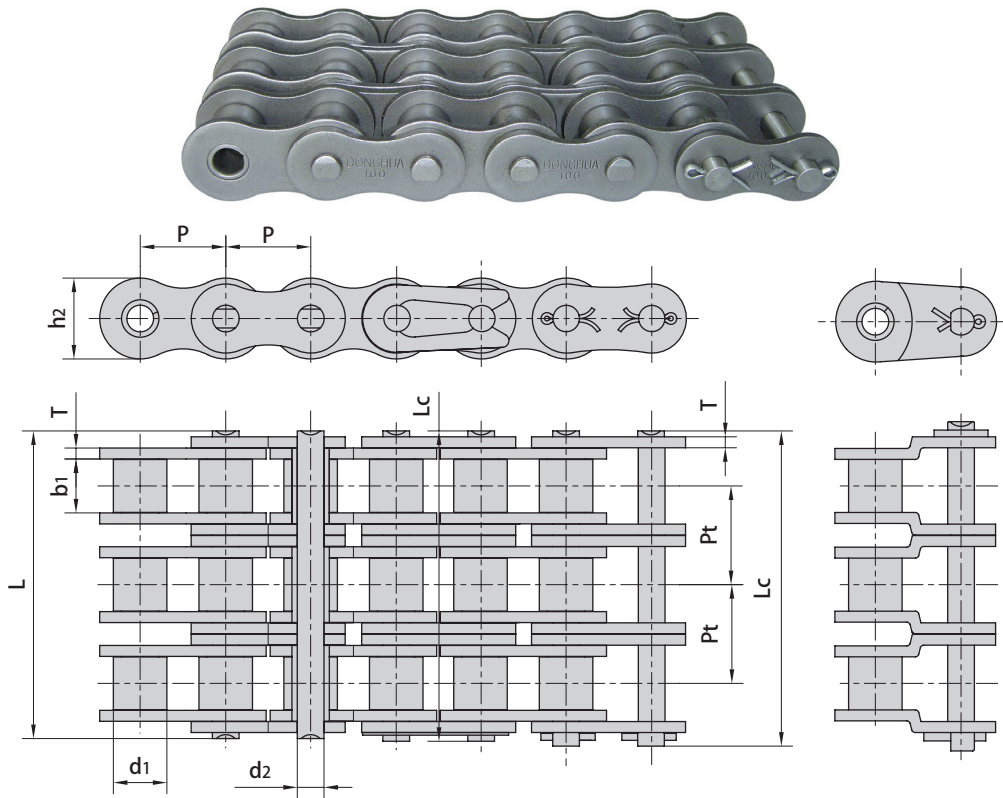


DIN/ISO Chain No.	ANSI Chain No.	Pitch	Roller diameter	Width between inner plates	Pin diameter	Pin length		Inner plate depth	Plate thickness	Transverse pitch	Ultimate tensile strength	Average tensile strength	Weight per meter
		p	d1 max	b1 min	d2 max	L max	Lc max	h2 max	T max	Pt	Q min	Q0	q
		mm	mm	mm	mm	mm	mm	mm	mm	mm	kN/lbf	kN	kg/m
*04C-2	*25-2	6.350	3.30	3.18	2.31	14.5	15.0	6.00	0.80	6.40	7.00/1591	8.6	0.28
*06C-2	*35-2	9.525	5.08	4.77	3.58	22.5	23.3	9.00	1.30	10.13	15.80/3591	19.7	0.63
085-2	41-2	12.700	7.77	6.25	3.58	25.7	26.9	9.91	1.30	11.95	13.34/3032	16.9	0.81
08A-2	40-2	12.700	7.95	7.85	3.96	31.0	32.2	12.00	1.50	14.38	28.20/6409	35.9	1.12
10A-2	50-2	15.875	10.16	9.40	5.08	38.9	40.4	15.09	2.03	18.11	44.40/10091	58.1	2.00
12A-2	60-2	19.050	11.91	12.57	5.94	48.8	50.5	18.00	2.42	22.78	63.60/14455	82.1	2.92
16A-2	80-2	25.400	15.88	15.75	7.92	62.7	64.3	24.00	3.25	29.29	113.40/25773	141.8	5.15
20A-2	100-2	31.750	19.05	18.90	9.53	76.4	80.5	30.00	4.00	35.76	177.00/40227	219.4	7.80
24A-2	120-2	38.100	22.23	25.22	11.10	95.8	99.7	35.70	4.80	45.44	254.00/57727	314.9	11.70
28A-2	140-2	44.450	25.40	25.22	12.70	103.3	107.9	41.00	5.60	48.87	344.80/78364	427.5	15.14
32A-2	160-2	50.800	28.58	31.55	14.27	123.3	128.1	47.80	6.40	58.55	453.60/103091	562.4	20.14
36A-2	180-2	57.150	35.71	35.48	17.46	138.6	144.4	53.60	7.20	65.84	560.50/127386	695.0	29.22
40A-2	200-2	63.500	39.68	37.85	19.85	151.9	158.8	60.00	8.00	71.55	707.60/160818	877.4	32.24
48A-2	240-2	76.200	47.63	47.35	23.81	183.4	190.8	72.39	9.50	87.83	1020.60/213955	1255.3	45.23

*Bush chain: d1 in the table indicates the external diameter of the bush.

Short Pitch Precision Roller Chains (A series)

Triplex roller chains & bush chains

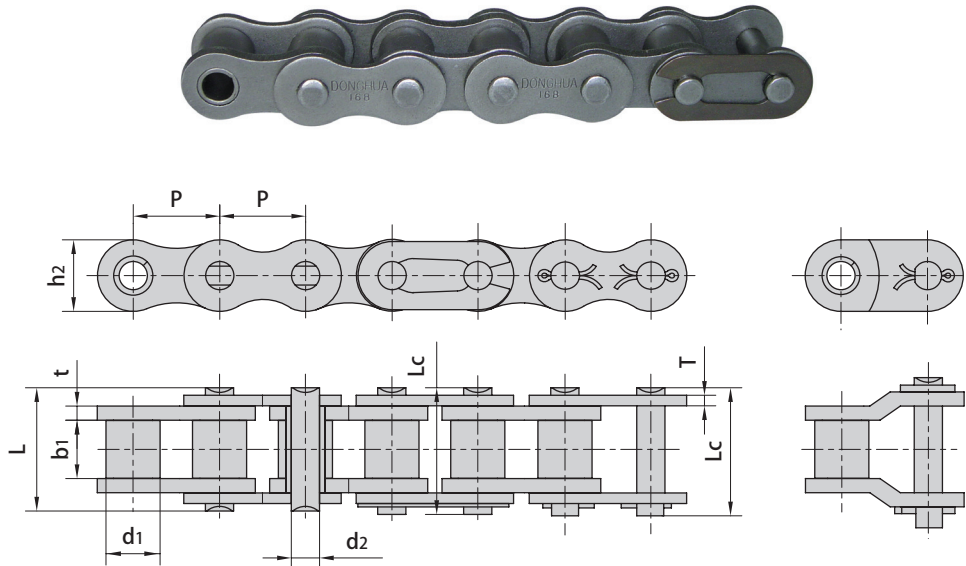


DIN/ISO Chain No.	ANSI Chain No.	Pitch	Roller diameter	Width between inner plates	Pin diameter	Pin length		Inner plate depth	Plate thickness	Transverse pitch	Ultimate tensile strength	Average tensile strength	Weight per meter
		P mm	d1 max mm	b1 min mm	d2 max mm	L max mm	Lc max mm	h2 max mm	T max mm	Pt mm	Q min kN/lbf	Q0 kN	q kg/m
*04C-3	*25-3	6.350	3.30	3.18	2.31	21.0	21.5	6.00	0.80	6.40	10.5/2386	12.6	0.44
*06C-3	*35-3	9.525	5.08	4.77	3.58	32.7	33.5	9.00	1.30	10.13	23.7/5386	28.6	1.05
08A-3	40-3	12.700	7.95	7.85	3.96	45.4	46.6	12.00	1.50	14.38	42.3/9614	50.0	1.90
10A-3	50-3	15.875	10.16	9.40	5.08	57.0	58.5	15.09	2.03	18.11	66.6/15136	77.8	3.09
12A-3	60-3	19.050	11.91	12.57	5.94	71.5	73.3	18.00	2.42	22.78	95.4/21682	111.1	4.54
16A-3	80-3	25.400	15.88	15.75	7.92	91.7	93.6	24.00	3.25	29.29	170.1/38659	198.4	7.89
20A-3	100-3	31.750	19.05	18.90	9.53	112.2	116.3	30.00	4.00	35.76	265.5/60341	309.6	11.77
24A-3	120-3	38.100	22.23	25.22	11.10	141.4	145.2	35.70	4.80	45.44	381.0/86591	437.2	17.53
28A-3	140-3	44.450	25.40	25.22	12.70	152.2	156.8	41.00	5.60	48.87	517.2/117545	593.3	22.20
32A-3	160-3	50.800	28.58	31.55	14.27	181.8	186.6	47.80	6.40	58.55	680.4/154636	780.6	30.02
36A-3	180-3	57.150	35.71	35.48	17.46	204.4	210.2	53.60	7.20	65.84	840.7/191068	983.6	38.22
40A-3	200-3	63.500	39.68	37.85	19.85	223.5	230.4	60.00	8.00	71.55	1061.4/241227	1217.8	49.03
48A-3	240-3	76.200	47.63	47.35	23.81	271.3	278.6	72.39	9.50	87.83	1530.9/347932	1756.5	71.60

*Bush chain: d1 in the table indicates the external diameter of the bush.

Short Pitch Precision Roller Chains (B series)

Simplex roller chains

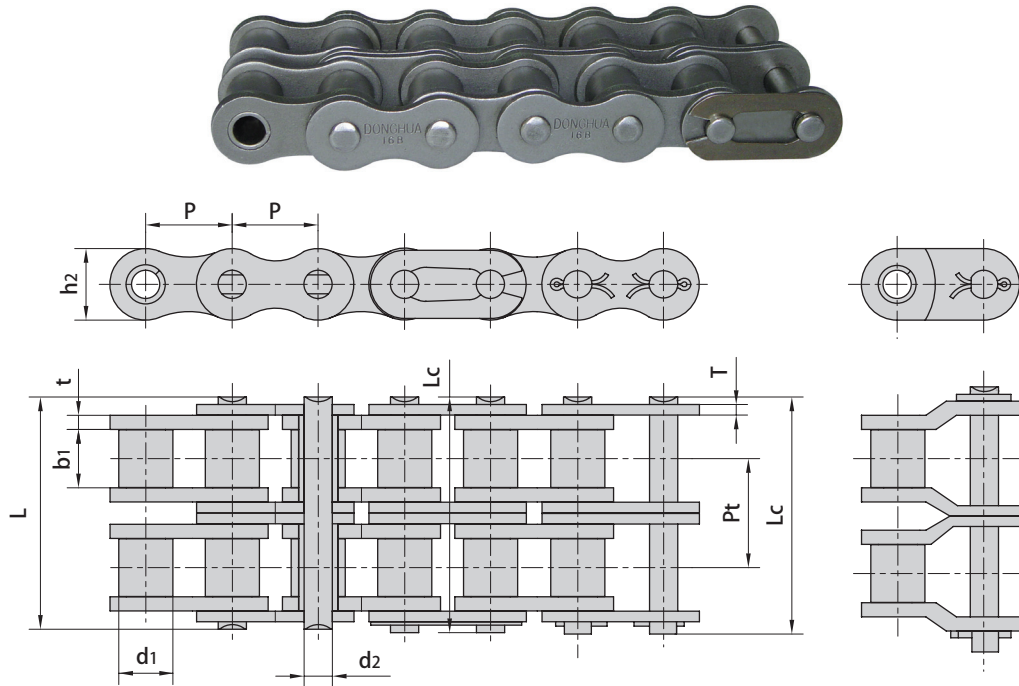


DIN/ISO Chain No.	Pitch	Roller diameter	Width between inner plates	Pin diameter	Pin length		Inner plate depth	Plate thickness	Ultimate tensile strength	Average tensile strength	Weight per meter
	P	d1 max	b1 min	d2 max	L max	Lc max	h2 max	t/T max	Q min	Q0	q
	mm	mm	mm	mm	mm	mm	mm	mm	kN/lbf	kN	kg/m
04B-1	6.000	4.00	2.80	1.85	6.80	7.8	5.00	0.60	3.0/682	3.2	0.11
05B-1	8.000	5.00	3.00	2.31	8.20	8.9	7.10	0.80	5.0/1136	5.9	0.20
*06B-1	9.525	6.35	5.72	3.28	13.15	14.1	8.20	1.30	9.0/2045	10.4	0.41
08B-1	12.700	8.51	7.75	4.45	16.70	18.2	11.80	1.60	18.0/4091	19.4	0.69
10B-1	15.875	10.16	9.65	5.08	19.50	20.9	14.70	1.70	22.4/5091	27.5	0.93
12B-1	19.050	12.07	11.68	5.72	22.50	24.2	16.00	1.85	29.0/6591	32.2	1.15
16B-1	25.400	15.88	17.02	8.28	36.10	37.4	21.00	4.15/3.1	60.0/13636	72.8	2.71
20B-1	31.750	19.05	19.56	10.19	41.30	45.0	26.40	4.50/3.5	95.0/21591	106.7	3.70
24B-1	38.100	25.40	25.40	14.63	53.40	57.8	33.20	6.00/4.8	160.0/36364	178.0	7.10
28B-1	44.450	27.94	30.99	15.90	65.10	69.5	36.70	7.50/6.0	200.0/45455	222.0	8.50
32B-1	50.800	29.21	30.99	17.81	66.00	71.0	42.00	7.00/6.0	250.0/56818	277.5	10.25
40B-1	63.500	39.37	38.10	22.89	82.20	89.2	52.96	8.50/8.0	355.0/80682	394.0	16.35
48B-1	76.200	48.26	45.72	29.24	99.10	107.0	63.80	12.00/10.0	560.0/127272	621.6	25.00
56B-1	88.900	53.98	53.34	34.32	114.6	123.0	77.80	13.50/12.0	850.0/193180	940.0	35.78
64B-1	101.600	63.50	60.96	39.40	130.0	138.5	90.17	15.00/13.0	112.0/254544	1240.0	46.00
72B-1	114.300	72.39	68.58	44.48	147.4	156.4	103.60	17.00/15.0	1400.0/318180	1550.0	60.80

*Straight side plates

Short Pitch Precision Roller Chains (B series)

Duplex roller chains

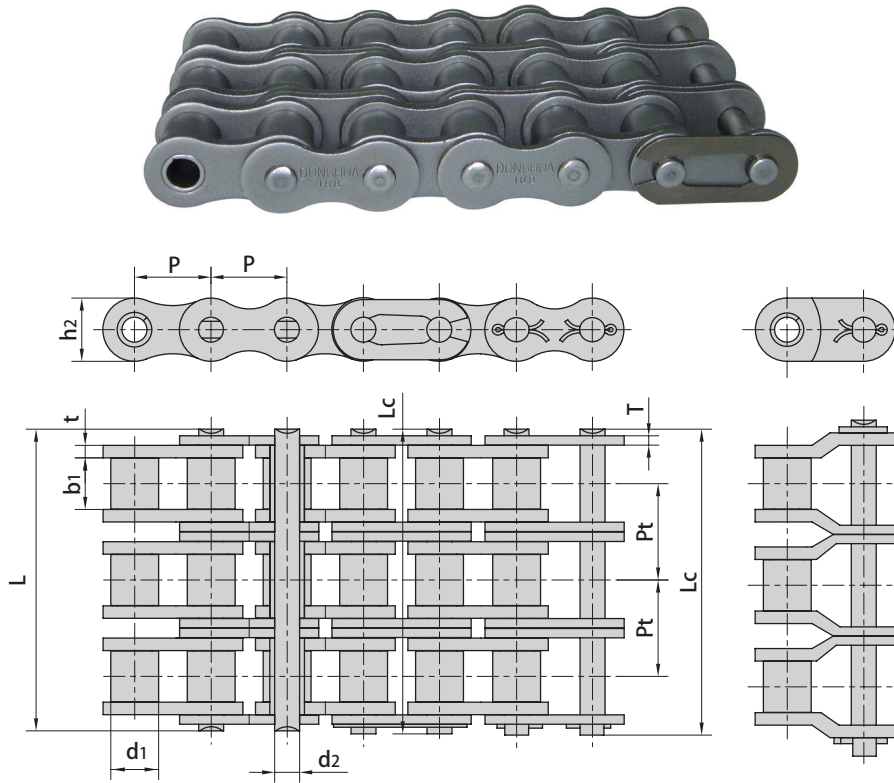


DIN/ISO Chain No.	Pitch	Roller diameter	Width between inner plates	Pin diameter	Pin length		Inner plate depth	Plate thickness	Transverse pitch	Ultimate tensile strength	Average tensile strength	Weight per meter
	P	d1 max	b1 min	d2 max	L max	Lc max	h2 max	t/T max	Pt	Q min	Q0	q
	mm	mm	mm	mm	mm	mm	mm	mm	mm	kN/lbf	kN	kg/m
05B-2	8.000	5.00	3.00	2.31	13.9	14.5	7.10	0.80	5.64	7.8/1773	10.2	0.33
*06B-2	9.525	6.35	5.72	3.28	23.4	24.4	8.20	1.30	10.24	16.9/3841	18.7	0.77
08B-2	12.700	8.51	7.75	4.45	31.0	32.2	11.80	1.60	13.92	32.0/7273	38.7	1.34
10B-2	15.875	10.16	9.65	5.08	36.1	37.5	14.70	1.70	16.59	44.5/10114	56.2	1.84
12B-2	19.050	12.07	11.68	5.72	42.0	43.6	16.00	1.85	19.46	57.8/13136	66.1	2.31
16B-2	25.400	15.88	17.02	8.28	68.0	69.3	21.00	4.15/3.1	31.88	106.0/24091	133.0	5.42
20B-2	31.750	19.05	19.56	10.19	77.8	81.5	26.40	4.50/3.5	36.45	170.0/38636	211.2	7.20
24B-2	38.100	25.40	25.40	14.63	101.7	106.2	33.20	6.00/4.8	48.36	280.0/63636	319.2	13.40
28B-2	44.450	27.94	30.99	15.90	124.6	129.1	36.70	7.50/6.0	59.56	360.0/81818	406.8	16.60
32B-2	50.800	29.21	30.99	17.81	124.6	129.6	42.00	7.00/6.0	58.55	450.0/102273	508.5	21.00
40B-2	63.500	39.37	38.10	22.89	154.5	161.5	52.96	8.50/8.0	72.29	630.0/143182	711.9	32.00
48B-2	76.200	48.26	45.72	29.24	190.4	198.2	63.80	12.00/10.0	91.21	1000.0/227272	1130.0	50.00
56B-2	88.900	53.98	53.34	34.32	221.2	229.6	77.80	13.50/12.0	106.60	1600.0/363635	1760.0	71.48
64B-2	101.600	63.50	60.96	39.40	249.9	258.4	90.17	15.00/13.0	119.89	2000.0/454544	2200.0	91.00
72B-2	114.300	72.39	68.58	44.48	283.7	292.7	103.60	17.00/15.0	136.27	2500.0/568180	2750.0	120.40

*Straight side plates

Short Pitch Precision Roller Chains (B series)

Triplex roller chains

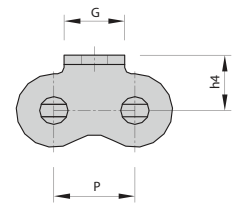
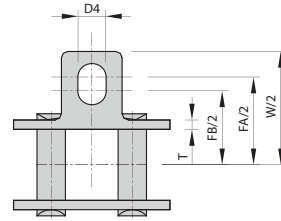
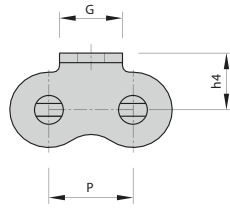
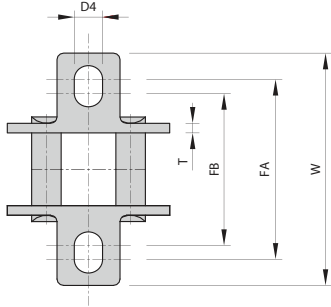


DIN/ISO Chain No.	Pitch	Roller diameter	Width between inner plates	Pin diameter	Pin length		Inner plate depth	Plate thickness	Transverse pitch	Ultimate tensile strength	Average tensile strength	Weight per meter
	P mm	d1 max mm	b1 min mm	d2 max mm	L max mm	Lc max mm	h2 max mm	t/T max mm	Pt mm	Q min kN/lbf	Q0 kN	q kg/m
05B-3	8.000	5.00	3.00	2.31	19.5	20.2	7.10	0.80	5.64	11.1/2523	13.8	0.48
*06B-3	9.525	6.35	5.72	3.28	33.5	34.6	8.20	1.30	10.24	24.9/5659	30.1	1.16
08B-3	12.700	8.51	7.75	4.45	45.1	46.1	11.80	1.60	13.92	47.5/10795	57.8	2.03
10B-3	15.875	10.16	9.65	5.08	52.7	54.1	14.70	1.70	16.59	66.7/15159	84.5	2.77
12B-3	19.050	12.07	11.68	5.72	61.5	63.1	16.00	1.85	19.46	86.7/19705	101.8	3.46
16B-3	25.400	15.88	17.02	8.28	99.8	101.2	21.00	4.15/3.1	31.88	160.0/36364	203.7	8.13
20B-3	31.750	19.05	19.56	10.19	114.2	117.9	26.40	4.50/3.5	36.45	250.0/56818	290.0	10.82
24B-3	38.100	25.40	25.40	14.63	150.1	154.6	33.20	6.00/4.8	48.36	425.0/96591	493.0	20.10
28B-3	44.450	27.94	30.99	15.90	184.2	188.7	36.70	7.50/6.0	59.56	530.0/120454	609.5	24.92
32B-3	50.800	29.21	30.99	17.81	183.2	188.2	42.00	7.00/6.0	58.55	670.0/152273	770.5	31.56
40B-3	63.500	39.37	38.10	22.89	226.8	233.8	52.96	8.50/8.0	72.29	950.0/215909	1092.5	48.10
48B-3	76.200	48.26	45.72	29.24	281.6	289.4	63.80	12.00/10.0	91.21	1500.0/340909	1710.0	75.00
56B-3	88.900	53.98	53.34	34.32	327.8	336.2	77.80	13.50/12.0	106.6	2240.0/545450	2464.0	107.18
64B-3	101.60	63.50	60.96	39.40	369.8	378.3	90.17	15.00/13.0	119.89	3000.0/681820	3300.0	136.00
72B-3	114.30	72.39	68.58	44.48	420.0	429.0	103.60	17.00/15.0	136.27	3750.0/852270	4125.0	180.00

*Straight side plates

Universal Chain Attachments

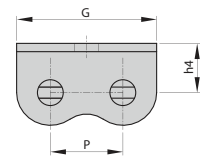
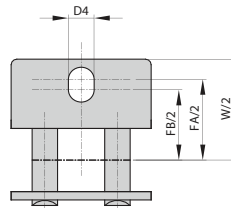
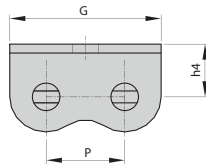
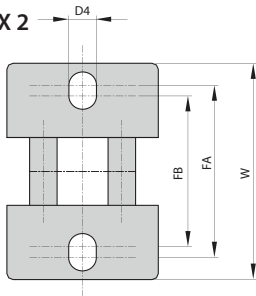
UK1 X 2



UK1 X 1

DIN/ISO Chain No.	P	G	FA	FB	W	T	h4	D4
	mm	mm	mm	mm	mm	mm	mm	mm
08B	12.700	11	28.20	23.80	36.40	1.60	8.90	4.50
10B	15.875	14.3	33.60	30.00	44.60	1.70	9.00	5.50
12B	19.050	15.9	41.00	32.00	55.60	1.85	11.90	6.40
16B	25.400	19.05	58.00	50.80	72.80	3.10	16.00	9.00

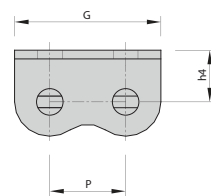
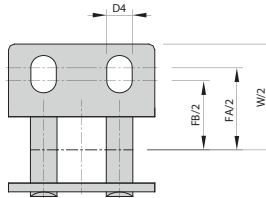
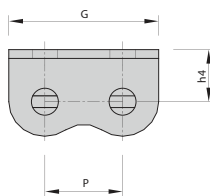
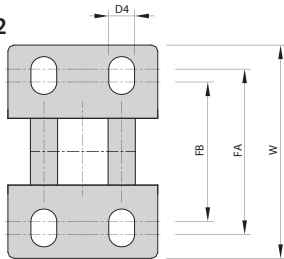
UWK1 X 2



UWK1 X 1

DIN/ISO Chain No.	P	G	FA	FB	W	T	h4	D4
	mm	mm	mm	mm	mm	mm	mm	mm
08B	12.700	23.10	28.20	23.80	36.40	1.60	8.90	4.50
10B	15.875	29.58	33.60	30.00	44.60	1.70	9.00	5.50
12B	19.050	34.50	41.00	32.00	55.60	1.85	11.90	6.40
16B	25.400	46.40	58.00	50.80	72.80	3.10	16.00	9.00

UK2 X 2



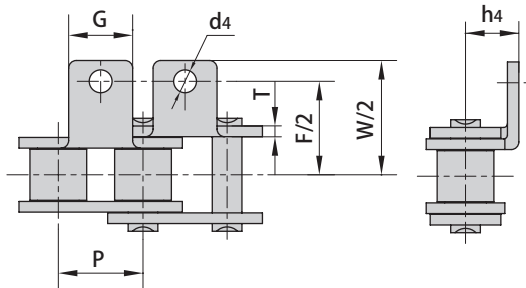
UK2 X 1

DIN/ISO Chain No.	P	G	FA	FB	W	T	h4	D4
	mm	mm	mm	mm	mm	mm	mm	mm
08B	12.700	23.10	28.20	23.80	36.40	1.60	8.90	4.50
10B	15.875	29.58	33.60	30.00	44.60	1.70	9.00	5.50
12B	19.050	34.50	41.00	32.00	55.60	1.85	11.90	6.40
16B	25.400	46.40	58.00	50.80	72.80	3.10	16.00	9.00

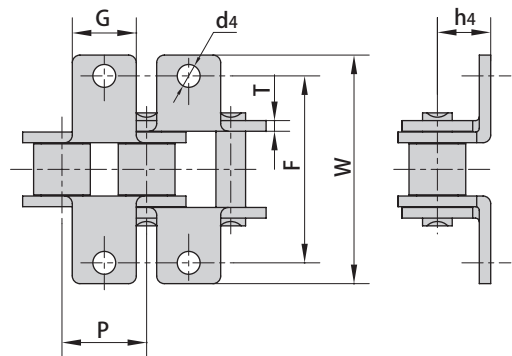
Short Pitch Conveyor Chain Attachments



K1 X 1



K1 X 2



DIN/ISO Chain No.	ANSI Chain No.	P	G	F	W	T	h ₄	d ₄
		mm	mm	mm	mm	mm	mm	mm
04C	25	6.350	5.6	13.80	23.2	0.80	4.30	3.4
06C	35	9.525	7.9	19.00	28.6	1.30	6.35	3.4
08A	40	12.700	9.5	25.40	35.2	1.50	7.90	3.4
085	41	12.700	9.5	24.00	33.4	1.30	6.90	3.6
10A	50	15.875	12.7	31.75	46.2	2.03	10.30	5.5
12A	60	19.050	15.9	38.10	55.6	2.42	11.90	5.5
16A	80	25.400	19.1	50.80	64.8	3.25	15.90	6.8
20A	100	31.750	25.4	63.50	89.8	4.00	19.80	9.2
24A	120	38.100	28.6	76.20	108.5	4.80	23.00	9.8
28A	140	44.450	34.9	88.90	123.0	5.60	28.60	11.4
32A	160	50.800	38.1	101.60	142.8	6.40	31.75	13.1
40A	200	63.500	50.8	127.00	179.0	8.00	42.88	16.3
*06B		9.525	8.0	19.04	27.0	1.30	6.50	3.5
08B		12.700	9.5	25.40	36.4	1.60	8.90	4.5
10B		15.875	14.3	31.75	44.6	1.70	10.31	5.3
12B		19.050	16.0	38.10	52.4	1.85	13.46	6.4
16B		25.400	19.1	50.80	72.6	3.10	15.88	6.4
20B		31.750	35.0	63.50	100.5	3.50	19.80	9.0
24B		38.100	30.0	76.20	108.4	4.80	26.67	10.5
28B		44.450	35.0	88.90	123.0	6.00	28.58	13.1
32B		50.800	38.1	101.60	142.8	6.00	31.75	13.1

*Straight side plates

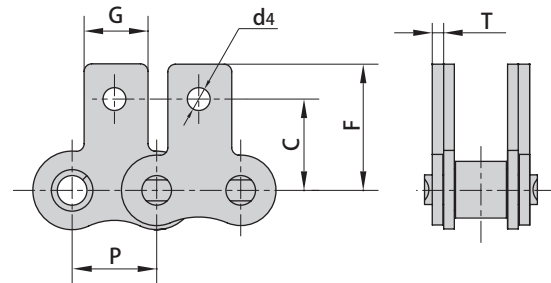
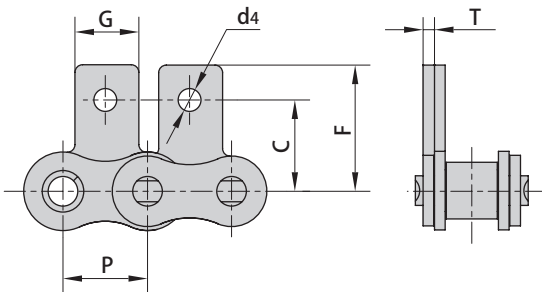
Short Pitch Conveyor Chain Attachments



M1 X 1



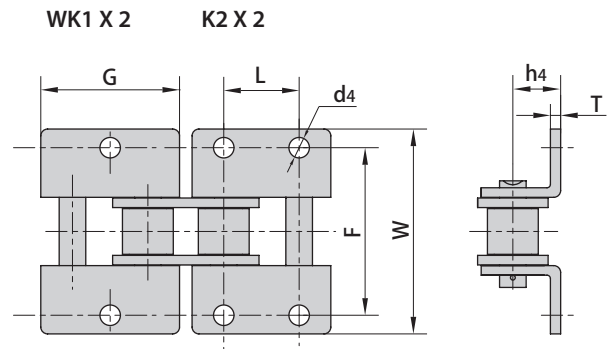
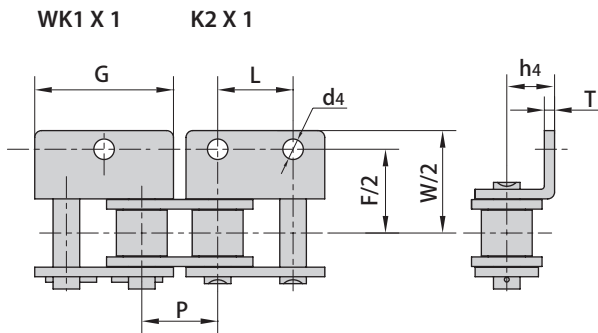
M1 X 2



DIN/ISO Chain No.	ANSI Chain No.	P	G	C	F	T	d4
		mm	mm	mm	mm	mm	mm
04C	25	6.350	5.6	7.95	11.70	0.80	3.4
06C	35	9.525	7.9	9.50	14.55	1.30	3.4
08A	40	12.700	9.5	12.70	19.05	1.50	3.4
085	41	12.700	9.5	11.85	16.55	1.30	3.6
10A	50	15.875	12.7	15.90	25.25	2.03	5.5
12A	60	19.050	15.9	18.30	29.33	2.42	5.5
16A	80	25.400	19.1	24.60	34.70	3.25	6.8
20A	100	31.750	25.4	31.80	43.30	4.00	9.2
24A	120	38.100	28.6	36.50	51.60	4.80	9.8
28A	140	44.450	34.9	44.50	62.00	5.60	11.4
32A	160	50.800	38.1	50.80	69.85	6.40	13.1
40A	200	63.500	50.8	63.50	88.90	8.00	16.3
*06B		9.525	8.0	9.52	13.50	1.30	3.5
08B		12.700	9.5	13.35	18.90	1.60	4.3
10B		15.875	14.3	16.50	22.95	1.70	5.3
12B		19.050	16.0	21.45	28.60	1.85	6.4
16B		25.400	19.1	23.15	34.00	3.10	6.4
20B		31.750	35.0	30.50	45.70	3.50	9.0
24B		38.100	36.0	36.00	61.50	4.80	10.5

*Straight side plates

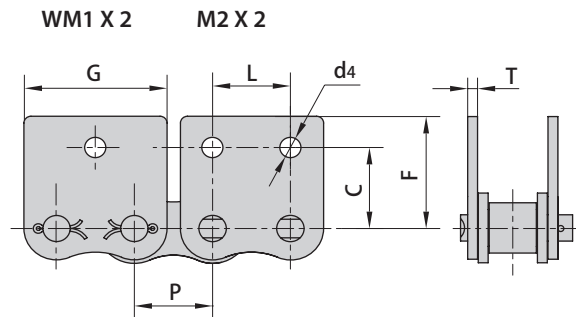
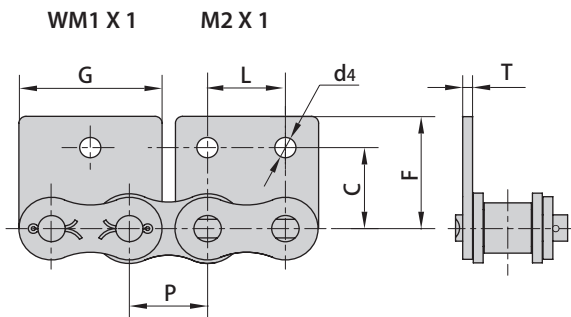
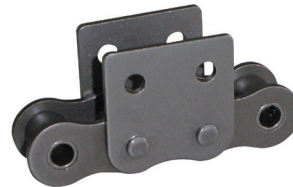
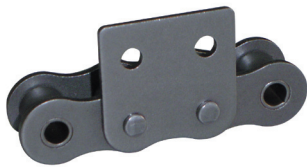
Short Pitch Conveyor Chain Attachments



DIN/ISO Chain No.	ANSI Chain No.	P	G	L	F	W	T	h4	d4
		mm	mm	mm	mm	mm	mm	mm	mm
04C	25	6.350	11.41	6.350	13.80	23.2	0.80	4.30	3.40
06C	35	9.525	17.32	9.525	19.00	28.6	1.30	6.35	2.80
08A	40	12.700	23.00	12.700	25.40	35.6	1.50	7.90	3.40
085	41	12.700	22.30	12.700	24.00	35.0	1.30	7.20	4.85
10A	50	15.875	28.80	15.875	31.75	46.8	2.03	10.30	5.50
12A	60	19.050	34.65	19.050	38.10	56.4	2.42	11.90	5.50
16A	80	25.400	45.90	25.400	50.80	73.2	3.25	15.90	6.80
20A	100	31.750	57.65	31.750	63.50	89.8	4.00	19.80	9.20
24A	120	38.100	69.30	38.100	76.20	108.8	4.80	23.00	9.80
28A	140	44.450	80.45	44.450	88.90	123.0	5.60	28.60	11.40
32A	160	50.800	92.00	50.800	101.60	142.8	6.40	31.75	13.10
40A	200	63.500	115.50	63.500	127.00	179.0	8.00	42.88	16.30
*06B		9.525	17.72	9.525	19.04	27.0	1.30	6.50	3.50
08B		12.700	24.00	12.700	25.40	36.4	1.60	8.90	4.30
10B		15.875	29.58	15.875	31.80	44.6	1.70	10.31	5.30
12B		19.050	34.05	19.050	38.10	52.4	1.85	13.46	6.40
16B		25.400	46.40	25.400	50.80	72.6	3.10	15.88	6.40
20B		31.750	58.10	31.750	63.00	100.5	3.50	19.80	9.00
24B		38.100	71.30	38.100	76.20	108.4	4.80	26.67	10.50
28B		44.450	81.10	44.450	88.90	123.0	6.00	28.58	13.10
32B		50.800	92.80	50.800	101.60	142.8	6.00	31.75	13.10

*Straight side plates

Short Pitch Conveyor Chain Attachments



DIN/ISO Chain No.	ANSI Chain No.	P	G	L	C	F	T	d4
		mm	mm	mm	mm	mm	mm	mm
04C	25	6.350	11.41	6.350	7.95	11.70	0.80	3.4
06C	35	9.525	17.32	9.525	9.50	14.55	1.30	2.8
08A	40	12.700	23.00	12.700	12.70	17.40	1.50	3.4
085	41	12.700	21.20	12.700	11.85	16.55	1.30	3.6
10A	50	15.875	28.80	15.875	15.90	23.05	2.03	5.5
12A	60	19.050	34.65	19.050	18.30	26.86	2.42	5.5
16A	80	25.400	45.90	25.400	24.60	35.45	3.25	6.8
20A	100	31.750	57.65	31.750	31.80	44.00	4.00	9.2
24A	120	38.100	69.30	38.100	36.50	51.60	4.80	9.8
28A	140	44.450	80.45	44.450	44.50	62.00	5.60	11.4
32A	160	50.800	92.00	50.800	50.80	69.85	6.40	13.1
40A	200	63.500	115.5	63.500	63.50	88.90	8.00	16.3
*06B		9.525	17.72	9.525	9.52	13.50	1.30	3.5
08B		12.700	23.30	12.700	13.35	18.90	1.60	4.3
10B		15.875	29.58	15.875	16.50	22.95	1.70	5.3
12B		19.050	34.05	19.050	21.45	28.60	1.85	6.4
16B		25.400	46.40	25.400	23.15	34.00	3.10	6.4
20B		31.750	58.10	31.750	30.50	45.70	3.50	9.0
24B		38.100	71.30	38.100	42.70	61.50	4.80	10.5

*Straight side plates

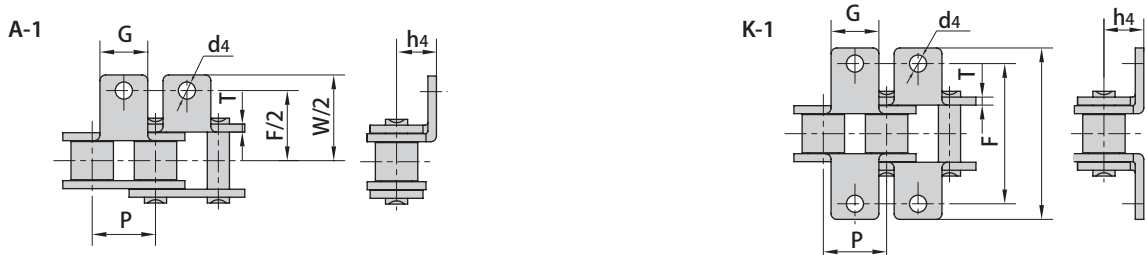
Short Pitch Conveyor Chain Attachments



Donghua Chain No.	P	G	F	W	T	h4	d4
	mm	mm	mm	mm	mm	mm	mm
04CA1F2	6.350	6.00	22.20	29.00	0.80	2.50	2.00
25K1F1	6.350	5.60	14.27	21.38	0.80	4.75	3.40
*06BK1F3	9.525	8.00	18.81	26.81	1.15	6.50	3.50
*C08AA1F1	12.700	10.00	25.40	33.40	1.50	9.10	3.40
08AA1F1	12.700	9.50	38.50	44.50	1.50	8.20	3.60
08AA1F10	12.700	9.60	28.00	36.20	1.50	8.50	3.20
08AA1F12	12.700	9.50	25.40	35.20	1.50	7.90	3.20
08AA1F2	12.700	9.50	25.40	35.20	1.50	7.90	4.85
08AA1F3	12.700	15.88	25.40	35.60	1.50	8.00	4.95
08AA1F6	12.700	9.50	25.40	35.20	1.50	7.90	5.00
08AA1F7	12.700	18.00	37.00	52.00	1.50	8.00	5.20
08AA1F9	12.700	9.60	55.40	62.50	1.50	7.50	4.20
08AK1F2	12.700	9.50	25.40	35.20	1.50	7.90	4.85
08AK1F4	12.700	9.50	25.39	35.19	1.50	7.90	5.50
08BA1F11	12.700	11.00	25.40	36.40	1.60	8.90	4.30
08BA1F16	12.700	12.30	27.80	42.80	1.60	21.00	5.20
08BA1F18	12.700	9.50	28.30	37.00	1.60	8.00	4.30
08BA1F2	12.700	11.40	38.60	49.60	1.60	8.90	3.50
08BA1F20	12.700	12.60	22.95	33.95	1.60	10.20	5.00
08BA1F28	12.700	9.50	25.40	34.52	1.60	9.95	4.00
08BA1F30	12.700	11.00	26.23	35.43	1.60	9.00	4.50
08BA1F33	12.700	10.00	30.40	38.80	1.60	8.20	3.10
08BA1F34	12.700	9.60	36.40	48.00	1.60	9.60	3.20
08BA1F39	12.700	9.50	36.40	44.00	1.60	9.50	3.20
08BA1F40	12.700	9.50	26.60	34.20	1.60	8.50	3.20
08BA1F41	12.700	12.50	35.00	43.00	1.60	9.00	3.70
08BA1F6	12.700	18.00	25.80	37.80	1.60	8.00	4.20
08BA1F8	12.700	11.20	21.85	32.85	2.50	8.90	4.30
08BA3F1	12.700	22.70	33.20	46.90	1.60	7.80	2.9/6.7
08BF30	12.700	18.00	27.20	40.00	1.60	8.00	4.30
08BK1F10	12.700	11.00	27.77	38.77	1.55	8.75	4.30
08BK1F14	12.700	11.00	25.57	36.57	1.60	8.90	6.50
08BK1F15	12.700	17.90	27.60	39.60	1.60	8.00	7.10
08BK1F26	12.700	11.00	26.50	36.00	1.60	8.80	4.40

*Straight side plates

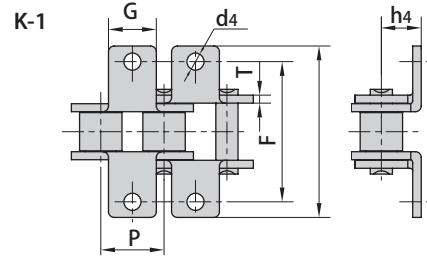
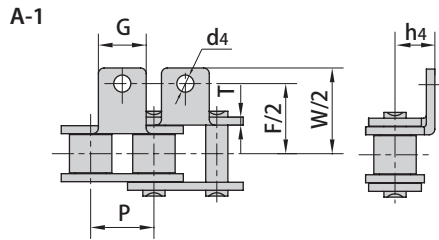
Short Pitch Conveyor Chain Attachments



Donghua Chain No.	P	G	F	W	T	h4	d4
	mm	mm	mm	mm	mm	mm	mm
08BK1F29	12.700	12.50	26.20	38.00	1.60	10.00	4.50
08BK1F35	12.700	9.50	25.33	35.03	1.60	8.90	M3
08BK1F43	12.700	9.50	28.20	37.20	1.60	8.40	4.30
08BK1F44	12.700	11.50	26.00	36.00	1.60	8.50	4.20
08BK1F5	12.700	9.50	29.00	38.70	1.60	7.10	4.50
08BK1F7	12.700	9.50	29.00	39.00	1.60	7.00	4.50
08BK1F9	12.700	9.50	25.40	36.40	1.60	8.90	M4
08BF33	12.700	9.50	27.74	38.80	1.60	8.50	3.10
10AA1F10	15.875	12.70	31.80	46.20	2.03	10.30	M5
10AA1F11	15.875	12.70	31.80	46.20	2.03	25.30	5.50
10AHK1F1	15.875	12.70	34.00	48.40	2.42	10.30	M5
10AK1F3	15.875	14.29	31.75	46.20	2.03	10.30	5.50
10AK1F5	15.875	20.00	39.00	50.10	2.03	12.50	M5
10AK1F7	15.875	12.70	31.80	46.20	2.03	10.30	M6
10AK1F8	15.875	12.70	31.80	46.20	2.03	10.30	6.50
10AK1F9	15.875	20.00	38.97	50.07	2.03	12.50	5.50
10BA0F2	15.875	14.00	-	49.41	1.70	10.30	-
10BA0F3	15.875	14.00	-	46.51	1.70	10.40	-
10BA1F11	15.875	15.00	31.80	49.60	1.70	10.30	M5
10BA1F13	15.875	14.10	30.81	48.01	1.70	10.50	M5
10BA1F14	15.875	14.30	31.76	44.60	1.70	10.31	6.40
10BF11	15.875	14.00	-	51.81	1.70	10.40	-
10BK0F4	15.875	14.00	-	45.81	1.70	10.30	-
10BK1F12	15.875	13.00	32.41	50.11	1.70	11.00	6.00
10BK1F2	15.875	13.00	32.40	45.20	1.70	11.00	6.00
10BK1F3	15.875	13.00	32.41	51.11	1.70	10.50	6.00
10BK1F4	15.875	17.50	30.41	47.41	1.70	11.50	6.00
10BK1F5	15.875	13.00	29.41	42.21	1.70	10.00	5.50
10BK1F6	15.875	12.70	30.00	47.00	1.70	10.20	5.30
10BK1F7	15.875	14.00	31.50	49.60	1.70	10.30	5.50
10BK1F8	15.875	14.00	31.41	48.31	1.70	10.50	5.30
*C10BK0F1	15.875	13.00	-	35.00	1.70	10.30	-
12AA1F10	19.050	15.90	38.10	55.60	2.42	11.90	7.00
12AA1F7	19.050	15.90	38.10	55.50	2.42	11.90	6.00

*Straight side plates

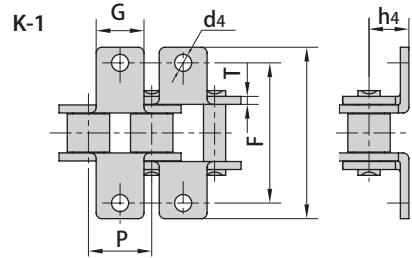
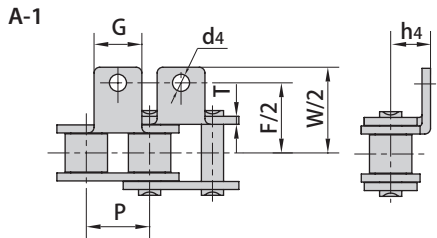
Short Pitch Conveyor Chain Attachments



Donghua Chain No.	P	G	F	W	T	h ₄	d ₄
	mm	mm	mm	mm	mm	mm	mm
12AK1F1	19.05	15.90	40.00	55.60	2.42	11.90	6.20
12AK1F4	19.05	15.90	38.10	55.50	2.42	11.90	M5
12AK1F7	19.05	15.90	38.10	55.60	2.42	11.90	6.00
12AK1F8	19.05	15.90	40.00	55.60	2.42	11.90	6.80
12BA0F1	19.05	36.10	-	56.75	1.85	12.00	-
12BA0F3	19.05	33.60	-	56.80	1.85	11.50	-
12BA1F1	19.05	16.00	38.10	52.40	1.85	13.46	8.20
12BA1F12	19.05	18.00	35.20	52.70	1.85	12.20	6.40
12BA1F18	19.05	24.00	35.45	51.75	1.85	12.00	6.60
12BA1F23	19.05	18.00	36.00	56.60	1.85	11.00	M6
12BFK1	19.05	16.50	40.00	54.80	1.85	12.00	6.60
12BK1F10	19.05	20.50	40.00	54.50	1.85	12.00	8.50
12BK1F11	19.05	16.00	38.15	52.55	1.85	13.46	10.00
12BK1F13	19.05	16.00	40.00	60.00	2.03	11.90	6.50
12BK1F15	19.05	18.00	37.00	54.60	1.85	12.20	6.40
12BK1F17	19.05	16.00	35.64	55.24	1.85	11.90	6.70
12BK1F19	19.05	18.00	36.00	55.40	1.85	12.00	6.60
12BK1F20	19.05	16.00	35.20	51.40	1.85	12.00	7.60
12BK1F24	19.05	18.50	37.20	58.00	1.85	11.00	M6
12BK1F4	19.05	16.00	38.10	52.40	1.85	13.46	6.40
12BK1F5	19.05	18.00	35.44	54.05	1.80	11.60	6.40
12BK1F6	19.05	16.00	35.00	52.40	1.85	13.46	6.40
12BK1F8	19.05	18.00	35.20	50.40	1.85	12.20	6.40
12BK1F9	19.05	16.00	24.80	39.00	1.85	13.46	6.40
*C12BA1F26	19.05	16.00	37.60	56.00	1.85	13.50	7.20
16AA1F12	25.40	19.10	44.00	64.80	3.25	15.90	6.00
16AA1F4	25.40	19.10	50.80	64.80	3.25	15.90	6.00
16AHA1F1	25.40	36.50	52.80	85.80	4.00	15.90	8.90
16AK1F10	25.40	19.10	50.80	64.80	3.25	15.90	10.00
16AK1F3	25.40	30.00	56.30	82.40	3.25	16.00	6.50
16AK1F5	25.40	25.40	44.00	56.00	3.25	15.90	6.00
16AK1F6	25.40	24.00	44.00	56.00	3.25	15.90	6.00
16AK1F8	25.40	25.00	57.80	74.90	3.25	14.50	6.80
16BA1F7	25.40	24.00	58.00	75.60	3.10	18.00	9.00

*Straight side plates

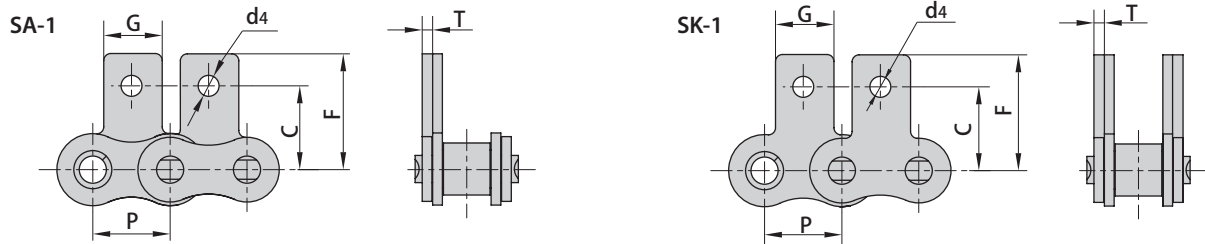
Short Pitch Conveyor Chain Attachments



Donghua Chain No.	P	G	F	W	T	h4	d4
	mm	mm	mm	mm	mm	mm	mm
16BK1F10	25.40	24.00	53.58	77.580	3.00	16.30	8.20
16BK1F11	25.40	26.00	58.00	74.600	4.00	18.00	9.00
16BK1F13	25.40	25.00	58.00	84.400	3.10	18.00	9.00
16BK1F15	25.40	25.00	68.00	130.000	3.10	17.00	9.10
16BK1F16	25.40	23.80	58.00	83.800	1.85	17.00	8.40
16BK1F17	25.40	25.00	50.80	70.200	4.15	20.20	9.10
16BK1F19	25.40	24.00	57.15	75.000	4.15	18.00	9.00
16BK1F3	25.40	19.10	50.80	72.600	3.10	15.88	8.20
16BK1F34	25.40	25.40	50.80	72.100	3.10	15.88	M6
16BK1F4	25.40	36.00	54.00	78.600	3.10	16.00	8.20
16BK1F41	25.40	24.00	57.62	75.620	3.10	20.20	8.40
16BK1F42	25.40	24.00	57.72	75.720	3.10	16.50	9.00
16BK1F43	25.40	24.00	58.00	75.600	3.10	18.00	10.00
16BK1F5	25.40	25.00	57.80	83.600	3.10	19.00	9.00
*C16BK1F40	25.40	36.00	54.02	78.620	3.10	16.00	8.20
20AHK1F1	31.75	25.40	61.08	87.675	4.80	19.81	10.30
20AK1F2	31.75	25.40	53.25	77.150	6.00	19.84	8.20
20AK1F3	31.75	25.40	63.50	87.300	4.00	19.80	8.70
20AK1F4	31.75	25.40	63.50	89.800	4.00	19.80	8.20
20AK1F5	31.75	26.00	68.00	88.000	4.00	23.50	11X8.6
20BA1F6	31.75	35.00	63.50	100.500	3.50	19.80	11.00
20BK1F2	31.75	26.00	68.00	88.000	4.50	23.50	9.60
20BK1F4	31.75	25.40	63.50	100.500	3.50	19.80	9.00
20BK1F5	31.75	35.00	65.00	94.200	3.50	19.80	12.50
20BK1F7	31.75	35.00	70.00	100.500	3.50	22.00	8.50
24AA1F1	38.10	28.60	76.20	111.600	4.80	23.80	9.80
24AA1F3	38.10	45.00	110.00	138.000	10.00	30.00	14.00
24AK1F4	38.10	28.60	88.90	108.800	4.80	23.00	12.00
24AK1F6	38.10	45.00	100.00	128.000	8.00	30.00	12.00
24AK1F7	38.10	30.00	77.00	101.600	4.80	30.00	11.00
28BK1F2	44.45	55.00	120.00	148.000	10.00	30.00	14.00
28BK1F3	44.45	74.00	108.00	155.000	6.00	32.00	13.00
28BK1F4	44.45	35.00	107.00	158.000	6.00	32.00	14.00

*Straight side plates

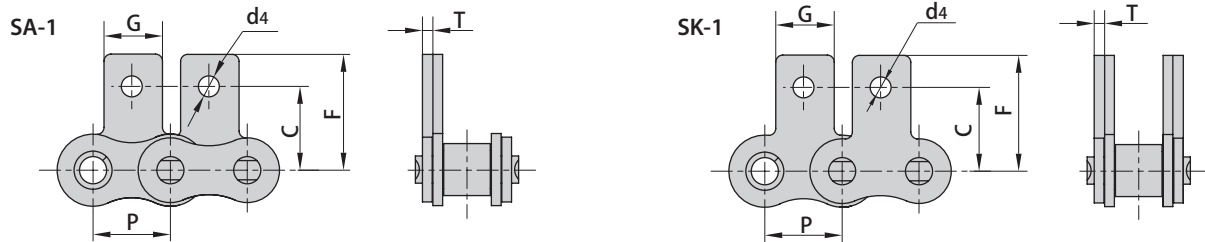
Short Pitch Conveyor Chain Attachments



Donghua Chain No.	P	G	C	F	T	d4
	mm	mm	mm	mm	mm	mm
05BSK1F2	8.000	8.00	7.50	11.50	0.80	3.00
05BSA1F1	8.000	8.00	8.00	11.50	0.80	3.10
35SK1F1	9.525	7.90	9.50	14.55	1.30	4.00
*06BSK1F2	9.525	8.00	9.50	13.50	1.15	3.50
08ASA1F3	12.700	9.60	12.70	17.30	1.50	3.60
08BSA1F1	12.700	18.00	15.00	21.50	1.60	6.30
08BSA1F8	12.700	12.50	14.70	20.30	1.60	4.50
08BSA1F9	12.700	12.50	14.70	20.30	1.60	4.50
08BSK1F2	12.700	11.00	13.40	18.90	1.60	4.30
08BSK1F3	12.700	11.00	14.10	19.50	1.55	4.30
08BSK1F4	12.700	11.00	13.35	18.90	1.60	6.50
08BSK1F5	12.700	9.50	13.35	18.90	1.60	6.30
08BSK1F6	12.700	11.00	14.30	19.30	1.60	4.30
08BSK1F7	12.700	11.00	13.00	20.80	1.60	4.45
08BSK1F12	12.700	12.50	14.70	20.30	1.60	5.00
08BSK0F4	12.700	11.00	-	45.00	1.60	-
08BSK0F7	12.700	10.00	-	23.80	1.60	-
10ASA0F2	15.875	28.50	-	93.00	2.03	-
10ASK1F1	15.875	20.00	15.68	22.88	2.03	8.50
10ASK1F3	15.875	12.70	15.25	23.60	2.03	5.30
10ASK1F6	15.875	12.70	15.90	25.25	2.03	6.10
10BSA1F3	15.875	24.00	16.00	24.20	1.70	5.10
10BSA0F1	15.875	8.22	-	29.52	1.70	-
12ASA1F4	19.050	15.90	18.30	29.33	2.42	8.50
12ASK1F1	19.050	15.90	18.30	29.33	2.42	6.10

*Straight side plates

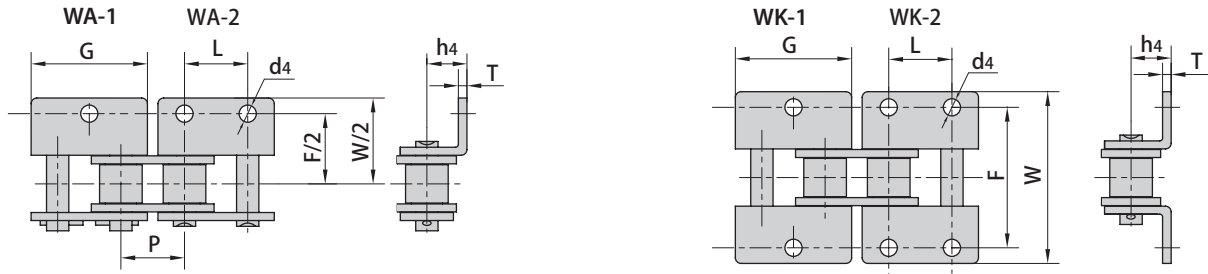
Short Pitch Conveyor Chain Attachments



Donghua Chain No.	P	G	C	F	T	d4
	mm	mm	mm	mm	mm	mm
12BSK0F1	19.050	15.00	-	26.50	1.85	-
12BSK1F1	19.050	18.00	18.20	28.10	1.80	6.40
12BSK1F2	19.050	18.00	18.30	26.10	1.85	6.20
12BSA1F3	19.050	17.00	16.00	26.60	1.85	8.00
16ASAF1	25.400	19.10	-	34.70	3.25	-
16ASAF2	25.400	19.10	-	34.70	3.25	-
*C16BSK0F1	25.400	25.00	-	25.00	4.15	-
*C16BSK0F3	25.400	23.94	-	22.20	3.10	-
*C16BSK0F4	25.400	46.90	-	20.50	3.10	-
16AWSK1F3	25.400	45.90	16.00	34.40	3.25	14.52
16BSK1F2	25.400	24.00	25.40	37.40	3.00	8.20
16BSK1F3	25.400	19.10	23.15	34.00	3.10	9.00
16BSA1F6	25.400	25.40	27.30	36.00	3.10	8.40
16BSK1F7	25.400	19.10	23.15	34.00	3.10	8.00
16BSK1F8	25.400	24.00	31.00	41.00	3.10	10.00
20BSK1F1	31.750	25.40	30.50	45.70	3.50	9.00
24BSK1F1	38.100	30.00	42.65	61.70	4.80	10.50
24BSK1F2	38.100	36.00	43.20	61.50	4.80	20.3/11.6
32BSK1F1	50.800	50.80	53.50	77.00	7.00	14.00
40BSK1F1	63.500	56.00	48.00	68.00	8.50	16.20

*Straight side plates

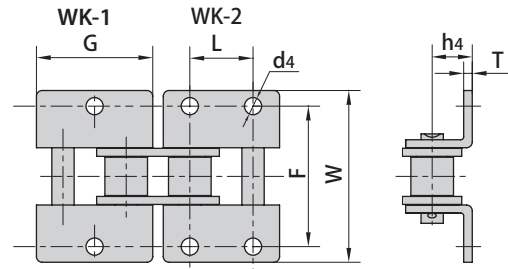
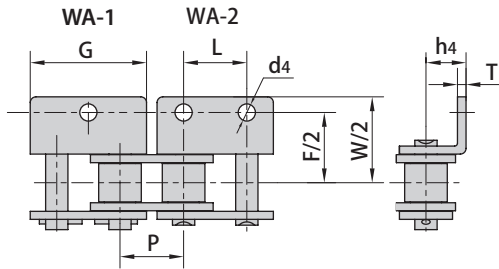
Short Pitch Conveyor Chain Attachments



Donghua Chain No.	P	G	L	F	W	T	h ₄	d ₄
	mm	mm	mm	mm	mm	mm	mm	mm
428HWK1	12.700	23.30	-	38.00	56.40	2.42	11.00	5.50
10AWK1F1	15.875	28.80	-	31.75	46.00	2.03	10.30	8.20
10AWK1F2	15.875	30.00	-	31.75	46.00	2.03	10.30	5.20
10BWA2F2	15.875	28.36	15.760	30.40	39.80	1.60	10.50	5.20
10BWK2F2	15.875	28.36	15.760	30.40	39.80	1.60	10.50	5.20
10BWK2F3	15.875	29.90	15.880	31.59	45.59	1.60	10.50	5.30
10BWK2F4	15.875	29.58	15.880	31.71	48.41	1.70	10.31	5.30
12AWA2F1	19.050	34.65	19.050	38.10	56.40	2.42	11.91	6.35
12AWK2F5	19.050	34.65	14.300	38.10	54.32	2.42	11.90	6.00
12AWA1F6	19.050	34.65	-	44.00	62.00	2.42	11.90	10.50
12AWA1F5	19.050	34.65	-	38.10	54.40	2.42	11.90	7.00
12AHWK2F1	19.050	34.65	19.050	40.60	59.00	3.25	11.90	5.50
12BWK0F1	19.050	30.00	-	-	55.30	3.00	14.00	5.50
12BWA1F2	19.050	34.05	-	38.10	26.20	1.85	13.46	-
12BWA2F2	19.050	34.90	19.000	35.00	50.60	1.85	12.00	6.20
12BWA2F3	19.050	30.00	20.000	37.40	53.00	1.85	12.00	6.10
12BWA2F5	19.050	30.00	20.000	39.60	55.30	1.85	14.00	M6
12BWA2F6	19.050	30.00	20.000	38.60	57.00	1.85	13.46	6.20
12BWK1F1	19.050	34.05	-	38.10	52.40	1.85	13.46	8.50
12BWK1F11	19.050	34.65	-	35.00	56.40	1.85	11.90	6.20
12BWK1F12	19.050	34.05	-	35.00	52.40	1.85	13.46	M6
12BWK2F7	19.050	34.90	19.000	35.00	55.40	1.85	12.20	6.40
12BWK2F8	19.050	35.60	19.050	38.10	52.40	1.85	13.50	6.60
12BWK2F9	19.050	34.90	19.000	35.00	62.40	1.85	12.20	6.20
12BWA2F10	19.050	34.05	19.050	38.90	56.90	1.85	13.46	7.00
12BWA2F11	19.050	32.00	19.050	38.10	56.40	1.85	11.90	5.50
*C12BWK2F12	19.050	35.00	19.050	37.20	58.00	1.85	11.00	6.60
12BWA2F17	19.050	37.00	19.050	38.08	52.38	1.85	13.46	6.40
12BF42WK2	19.050	34.90	19.000	35.20	54.60	1.85	12.20	6.40
16AWK1F1	25.400	45.90	-	50.80	73.20	3.25	15.90	8.00
16AWK1F2	25.400	45.90	-	50.80	73.20	3.25	15.90	12.00

*Straight side plates

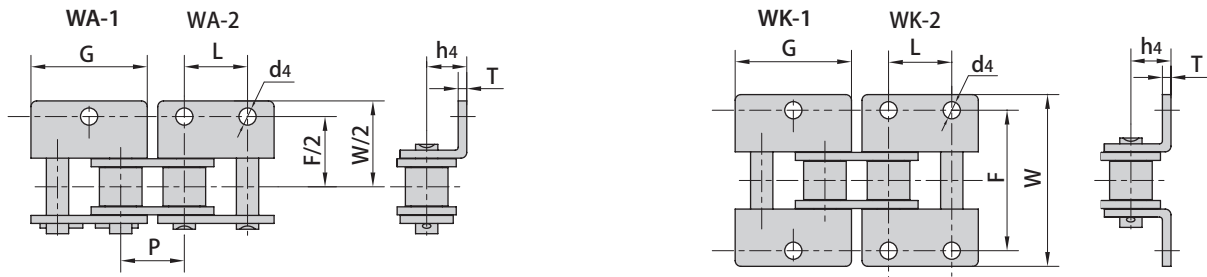
Short Pitch Conveyor Chain Attachments



Donghua Chain No.	P	G	L	F	W	T	h4	d4
	mm	mm	mm	mm	mm	mm	mm	mm
428HWK1	12.700	23.30	-	38.00	56.40	2.42	11.00	5.50
10AWK1F1	15.875	28.80	-	31.75	46.00	2.03	10.30	8.20
10AWK1F2	15.875	30.00	-	31.75	46.00	2.03	10.30	5.20
10BWA2F2	15.875	28.36	15.760	30.40	39.80	1.60	10.50	5.20
10BWK2F2	15.875	28.36	15.760	30.40	39.80	1.60	10.50	5.20
10BWK2F3	15.875	29.90	15.880	31.59	45.59	1.60	10.50	5.30
10BWK2F4	15.875	29.58	15.880	31.71	48.41	1.70	10.31	5.30
12AWA2F1	19.050	34.65	19.050	38.10	56.40	2.42	11.91	6.35
12AWK2F5	19.050	34.65	14.300	38.10	54.32	2.42	11.90	6.00
12AWA1F6	19.050	34.65	-	44.00	62.00	2.42	11.90	10.50
12AWA1F5	19.050	34.65	-	38.10	54.40	2.42	11.90	7.00
12AHWK2F1	19.050	34.65	19.050	40.60	59.00	3.25	11.90	5.50
12BWK0F1	19.050	30.00	-	-	55.30	3.00	14.00	5.50
12BWA1F2	19.050	34.05	-	38.10	26.20	1.85	13.46	-
12BWA2F2	19.050	34.90	19.000	35.00	50.60	1.85	12.00	6.20
12BWA2F3	19.050	30.00	20.000	37.40	53.00	1.85	12.00	6.10
12BWA2F5	19.050	30.00	20.000	39.60	55.30	1.85	14.00	M6
12BWA2F6	19.050	30.00	20.000	38.60	57.00	1.85	13.46	6.20
12BWK1F1	19.050	34.05	-	38.10	52.40	1.85	13.46	8.50
12BWK1F11	19.050	34.65	-	35.00	56.40	1.85	11.90	6.20
12BWK1F12	19.050	34.05	-	35.00	52.40	1.85	13.46	M6
12BWK2F7	19.050	34.90	19.000	35.00	55.40	1.85	12.20	6.40
12BWK2F8	19.050	35.60	19.050	38.10	52.40	1.85	13.50	6.60
12BWK2F9	19.050	34.90	19.000	35.00	62.40	1.85	12.20	6.20
12BWA2F10	19.050	34.05	19.050	38.90	56.90	1.85	13.46	7.00
12BWA2F11	19.050	32.00	19.050	38.10	56.40	1.85	11.90	5.50
*C12BWK2F12	19.050	35.00	19.050	37.20	58.00	1.85	11.00	6.60
12BWA2F17	19.050	37.00	19.050	38.08	52.38	1.85	13.46	6.40
12BF42WK2	19.050	34.90	19.000	35.20	54.60	1.85	12.20	6.40
16AWK1F1	25.400	45.90	-	50.80	73.20	3.25	15.90	8.00
16AWK1F2	25.400	45.90	-	50.80	73.20	3.25	15.90	12.00

*Straight side plates

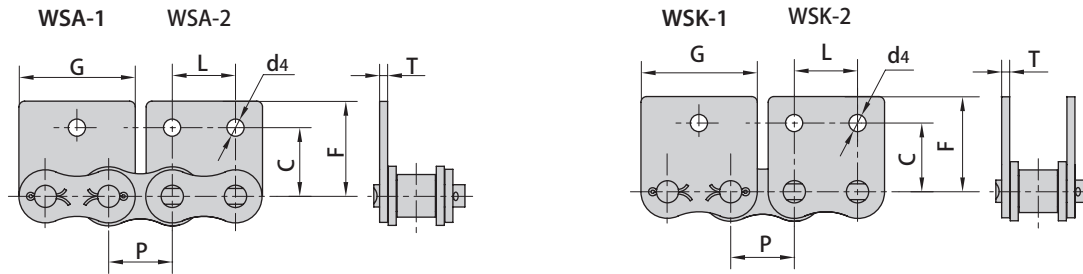
Short Pitch Conveyor Chain Attachments



Donghua Chain No.	P	G	L	F	W	T	h4	d4
	mm	mm	mm	mm	mm	mm	mm	mm
16AWK1F7	25.40	45.90	-	50.80	73.20	3.25	15.90	9.00
16BWA2F12	25.40	46.40	25.40	50.80	77.80	3.10	15.90	8.20
16BWA2F7	25.40	46.40	25.40	50.80	72.00	4.15	16.00	8.00
16BWK1F	25.40	46.00	-	57.20	78.50	3.10	15.90	8.10
16BWK1F3	25.40	46.40	-	50.80	72.60	3.10	15.88	M6
16BWK1F4	25.40	46.40	-	50.74	72.50	3.10	15.88	8.30
16BWK1F25	25.40	46.40	-	58.62	83.12	3.10	17.50	M6
16BWK1F26	25.40	45.50	-	70.00	90.00	3.10	15.00	11.40
16BWK1F27	25.40	46.00	-	57.20	78.50	4.15	15.90	6.50
16BWA1F28	25.40	36.00	-	57.58	77.58	3.10	16.00	M8
16BWK2F1	25.40	48.00	25.40	58.00	75.90	3.10	18.00	9.00
16BWK2F3	25.40	46.40	25.40	58.08	72.60	3.10	15.88	8.20
16BWK2F5	25.40	46.00	25.40	53.58	77.58	3.00	16.30	8.20
16BWK2F6	25.40	49.00	25.40	50.20	72.60	4.00	19.00	8.20
16BWK2F8	25.40	46.40	25.40	50.80	79.40	4.15	15.88	6.60
16BWK2F10	25.40	46.40	25.40	52.00	72.60	3.10	15.88	6.40
16BWK2F13	25.40	47.00	25.40	58.00	75.60	4.15	18.00	9.00
16BWA2F21	25.40	45.50	25.00	54.80	83.80	3.10	16.00	M6
16BWA2F22	25.40	46.40	25.40	50.80	72.60	3.10	15.88	9.00
16BWK2F23	25.40	46.40	25.40	58.00	84.00	4.15	19.00	8.50
*C16BWK2F24	25.40	46.40	25.40	50.80	72.60	4.15	15.88	8.00
*C20BWK0F1	31.75	57.45	-	-	85.40	3.50	22.80	-
20BWK1F1	31.75	58.15	-	69.00	98.80	3.50	21.00	10.50
20BWK2F1	31.75	58.10	31.75	67.94	100.54	3.50	19.80	9.00
20BWK2F2	31.75	60.00	31.75	68.00	88.00	3.50	23.50	9.60
20BWK2F3	31.75	60.00	31.75	68.00	88.00	3.50	23.60	9.60
24AK2F4	38.10	69.30	38.10	76.20	95.00	4.80	23.00	9.80
28AWK2F1	44.45	82.00	42.00	69.50	99.00	5.60	25.10	10.50
32AWK2F3	50.80	100.00	70.00	100.00	140.00	6.40	31.75	18.00
32BWK2F2	50.80	92.80	40.00	76.39	111.99	6.00	31.00	12.50
32BWA2F3	50.80	92.40	50.80	105.00	147.00	6.00	31.80	12.50

*Straight side plates

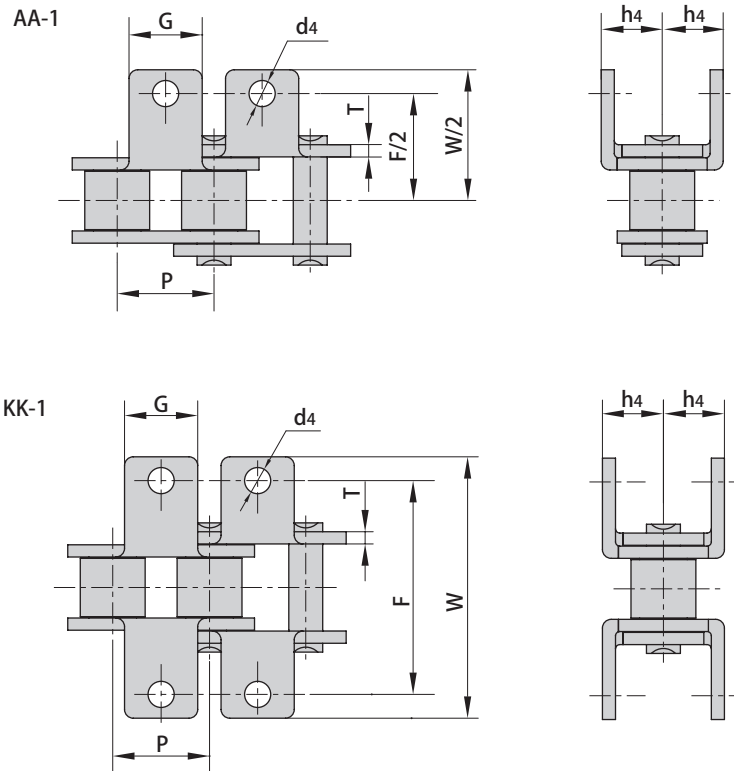
Short Pitch Conveyor Chain Attachments



Donghua Chain No.	P	G	L	C	F	T	d4
	mm	mm	mm	mm	mm	mm	mm
05BWSA2F1	8.000	14.00	6.000	7.00	13.00	0.80	3.00
*06BWSA2F1	9.525	17.60	9.500	10.10	14.50	1.30	3.30
*06BWSK2F2	9.525	17.25	9.520	9.50	13.50	1.15	3.50
06CWSA2F2	9.525	18.50	9.525	9.60	14.70	1.30	3.30
06CWSA2F1	9.525	17.53	9.530	8.50	14.70	1.30	4.20
08BWSA0F2	12.700	23.30	-	-	18.90	1.60	-
08BWSA1F2	12.700	24.45	-	13.40	18.90	1.60	4.30
08BWSK2F1	12.700	23.30	12.700	13.35	18.90	1.60	6.10
08BWSK2F2	12.700	24.45	12.700	13.40	18.90	1.60	4.30
08BWSK2F3	12.700	24.20	12.700	14.10	19.50	1.55	4.30
08BWSK2F4	12.700	23.30	12.700	14.10	18.50	1.60	4.30
08BWSK2F8	12.700	23.30	12.700	13.35	18.90	1.60	5.00
10AWSA0F6	15.875	30.30	-	-	24.10	2.03	-
10AWSA0F5	15.875	28.90	-	-	19.70	2.03	-
10AWSK2F1	15.875	28.45	15.900	17.30	26.90	2.03	5.00
*C10BWSK0F1	15.875	29.58	-	-	22.95	1.70	-
*C12AWSA1F1	19.050	34.05	-	17.60	25.80	2.42	9.00
12AWSA0F1	19.050	37.05	-	-	24.00	2.42	-
12AWSK1F2	19.050	34.65	-	15.75	33.53	2.42	16.13
12BWSK1F1	19.050	35.20	-	20.58	30.30	1.85	6.35
12BWSK2F2	19.050	34.90	19.000	17.80	25.90	1.85	6.20
12BWSK2F3	19.050	34.90	19.000	17.80	25.90	1.85	5.50
16AWSK1F3	25.400	45.90	-	16.00	34.40	3.25	14.52
16AWSK1F4	25.400	45.90	-	16.00	34.40	3.25	15.56
16AWSK1F5	25.400	45.90	-	16.00	34.40	3.25	17.15
*C16BWSK0F6	25.400	25.00	-	-	25.00	3.10	-
16BWSA2F6	25.400	49.00	25.400	25.50	37.60	4.00	8.20
16BWSK1F8	25.400	46.40	-	25.00	37.00	3.10	8.20
16BWSK2F5	25.400	46.00	25.400	25.40	37.50	3.00	8.20
16BWSK2F8	25.400	47.00	25.400	31.10	39.70	4.15	9.00
16BWSK2F9	25.400	47.00	25.400	31.10	39.70	4.15	9.00
16BWSK2F10	25.400	46.50	25.400	28.60	41.50	3.10	9.00
16BF95	25.400	46.40	25.400	27.50	40.00	3.10	8.28
20AWSK1F1	31.750	70.00	-	45.00	70.00	4.00	50.00
20AWSK1F2	31.750	57.65	-	31.80	44.00	4.00	16.00
20AWSK1F3	31.750	57.65	-	31.80	34.98	4.00	16.00
20BWSK2F2	31.750	58.10	31.750	35.00	50.00	3.50	9.00
24BWSK2F1	38.100	71.30	38.100	45.00	55.60	4.80	10.50
32AF5	50.800	93.00	50.800	38.10	56.65	6.40	13.50
16AWSK1F6	25.400	45.90	-	16.00	34.40	3.25	16.00
16AWSK2F1	25.400	45.90	19.100	24.60	35.45	3.25	9.00

*Straight side plates

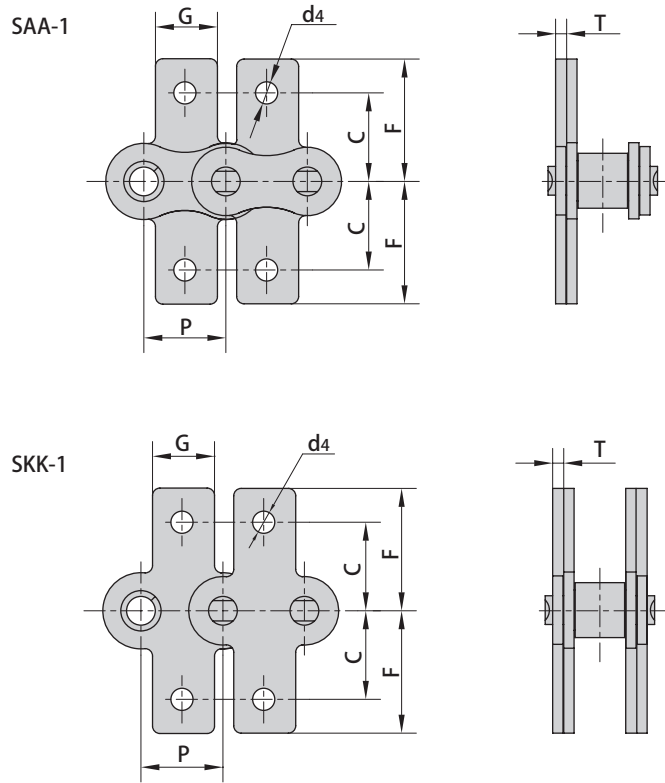
Short Pitch Conveyor Chain Attachments



DIN/ISO Chain No.	ANSI Chain No.	P	G	F	W	T	h4	d4
		mm	mm	mm	mm	mm	mm	mm
08A	40	12.700	9.5	25.40	35.2	1.50	7.90	3.4
10A	50	15.875	12.7	31.75	46.2	2.03	10.30	5.5
12A	60	19.050	15.9	38.10	55.6	2.42	11.90	5.5
16A	80	25.400	19.1	50.80	64.8	3.25	15.90	6.8
20A	100	31.750	25.4	63.50	87.3	4.00	19.80	9.2
24A	120	38.100	28.6	76.20	108.5	4.80	23.00	9.8
*06B		9.525	8.0	19.04	27.0	1.30	6.50	3.5
08B		12.700	9.5	25.40	36.4	1.60	8.90	4.5
10B		15.875	14.3	31.75	44.6	1.70	10.31	5.3
12B		19.050	16.0	38.10	52.4	1.85	13.46	6.4
16B		25.400	19.1	50.80	72.6	3.10	15.88	6.4
20B		31.750	35.0	63.50	100.5	3.50	19.80	9.0
24B		38.100	30.0	76.20	108.4	4.80	26.67	10.5

*Straight side plates

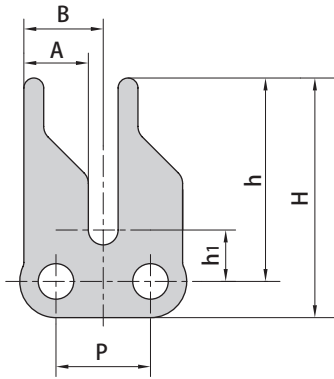
Short Pitch Conveyor Chain Attachments



DIN/ISO Chain No.	ANSI Chain No.	P	G	C	F	T	d4
		mm	mm	mm	mm	mm	mm
08A	40	12.700	9.5	12.70	19.05	1.50	3.4
10A	50	15.875	12.7	15.90	25.25	2.03	5.5
12A	60	19.050	15.9	18.30	29.33	2.42	5.5
16A	80	25.400	19.1	24.60	34.70	3.25	6.8
20A	100	31.750	25.4	31.80	43.30	4.00	9.2
24A	120	38.100	28.6	73.00	103.20	4.80	9.8
*06B		9.525	8.0	9.52	13.50	1.30	3.5
08B		12.700	9.5	13.35	18.90	1.60	4.3
10B		15.875	14.3	16.50	22.95	1.70	5.3
12B		19.050	16.0	21.45	28.60	1.85	6.4
16B		25.400	19.1	23.15	34.00	3.10	6.4
20B		31.750	35.0	30.50	45.70	3.50	9.0
24B		38.100	36.0	85.40	123.0	4.80	10.5

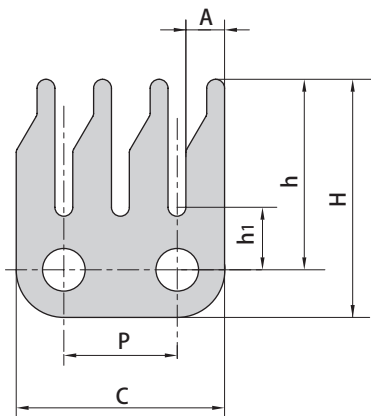
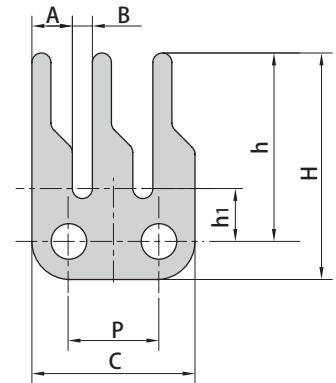
*Straight side plates

Conveyor Chain Special Attachments (A series)



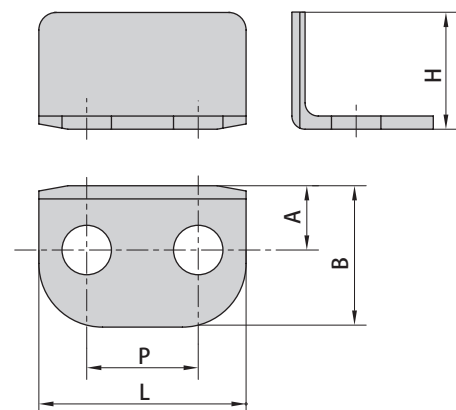
Donghua Chain No.	P	A	B	h ₁	h	H
	mm	mm	mm	mm	mm	mm
06CF2	9.525	6.5	8.0	5.2	20.5	24.15
06CF7	9.525	6.5	8.0	4.1	20.0	24.45

Donghua Chain No.	P	A	B	C	h ₁	h	H
	mm	mm	mm	mm	mm	mm	mm
06CF5	9.525	4.3	2.0	16.9	5.3	16.0	20.0
06CF8	9.525	4.3	2.0	16.9	5.3	20.0	24.0

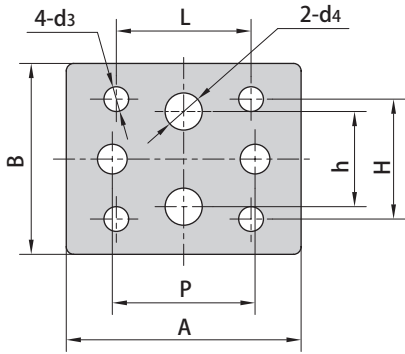


Donghua Chain No.	P	A	C	h ₁	h	H
	mm	mm	mm	mm	mm	mm
06CF6	9.525	3.25	17.5	5.25	16.0	20.0

Donghua Chain No.	P	L	A	B	H
	mm	mm	mm	mm	mm
RS40F1	12.7	23.6	7.32	16.1	13.3

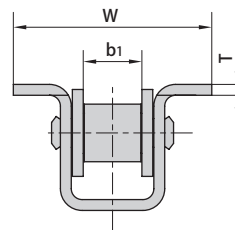
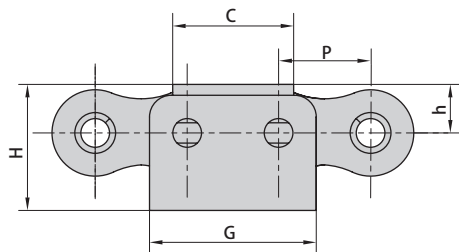
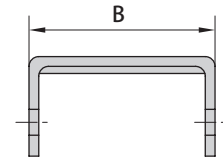
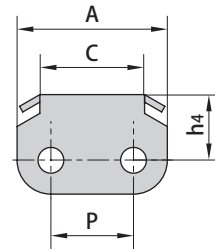


Conveyor Chain Special Attachments (A series)

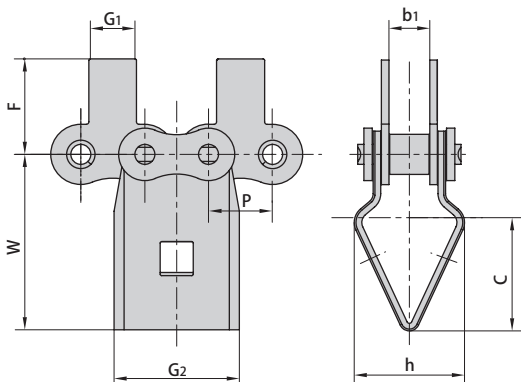


Donghua Chain No.	P	A	B	L	h	H	d ₃	d ₄
	mm	mm	mm	mm	mm	mm	mm	mm
08AF7	12.7	31.34	25.48	17.45	12.7	15.88	3.3	4.95

Donghua Chain No.	P	A	B	C	h ₄
	mm	mm	mm	mm	mm
08AF9-2	12.7	23.0	28.8	16.0	10.0

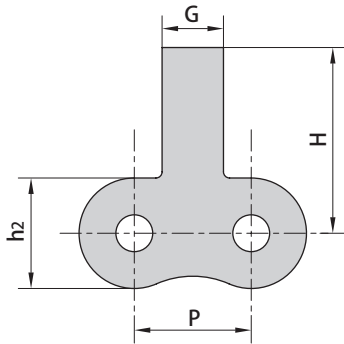


Donghua Chain No.	P	b ₁	C	G	H	h	W	T
	mm	mm	mm	mm	mm	mm	mm	mm
08A-U1F1	12.7	7.85	16.5	24.5	17.4	7.0	27.4	1.6

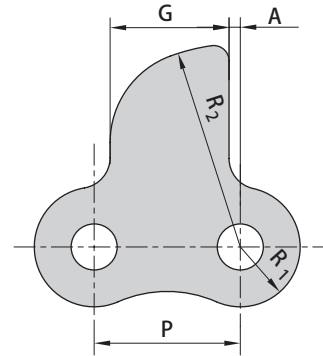


Donghua Chain No.	P	b ₁	G ₁	G ₂	F	W	C	h
	mm	mm	mm	mm	mm	mm	mm	mm
08ASAF1	12.7	7.85	9.5	25.0	19.05	35.0	21.5	22.0

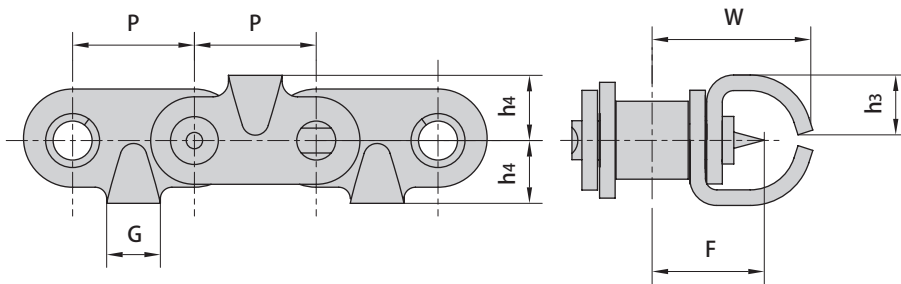
Conveyor Chain Special Attachments (A series)



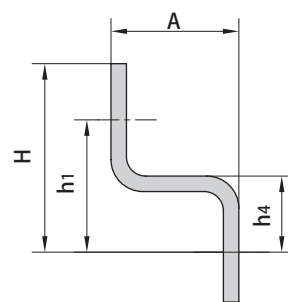
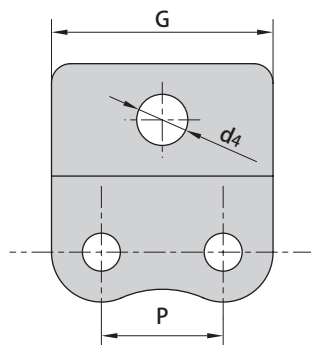
Donghua Chain No.	P	G	H	h2
	mm	mm	mm	mm
12ASA	19.05	10.0	204.0	18.0



Donghua Chain No.	P	G	A	R1	R2
	mm	mm	mm	mm	mm
12AF7	19.05	15.5	1.47	7.8	26.5

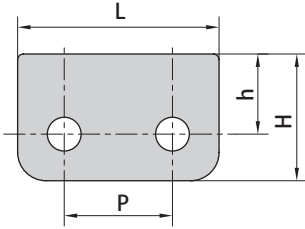


Donghua Chain No.	P	G	F	W	h3	h4
	mm	mm	mm	mm	mm	mm
10AF12	15.875	7.0	14.55	21.2	7.8	8.5



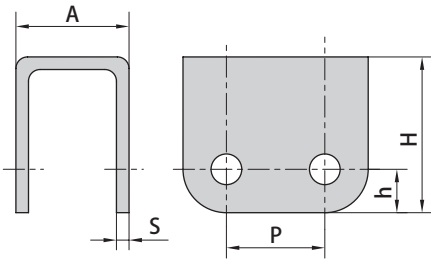
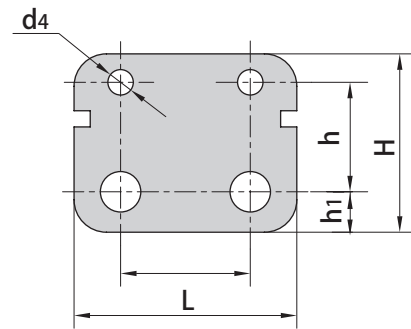
Donghua Chain No.	P	A	G	h1	h4	H	d4
	mm	mm	mm	mm	mm	mm	mm
12AF8	19.05	12.0	37.05	-	12.0	26.50	-
12AF17	19.05	20.0	34.65	20.69	11.9	29.48	8

Conveyor Chain Special Attachments (A series)



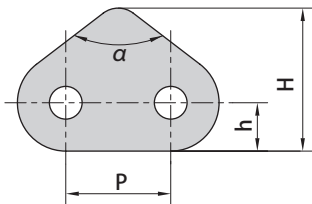
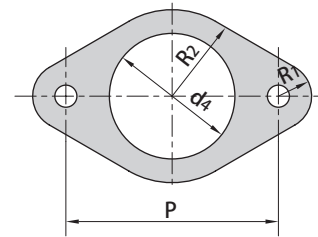
Donghua Chain No.	P	h	H	L
	mm	mm	mm	mm
C60TS	19.05	14.1	22.3	35.45

Donghua Chain No.	P	L	h ₁	h	H	d ₄
	mm	mm	mm	mm	mm	mm
16AF6	25.4	47.63	7.92	21.44	34.93	4.98



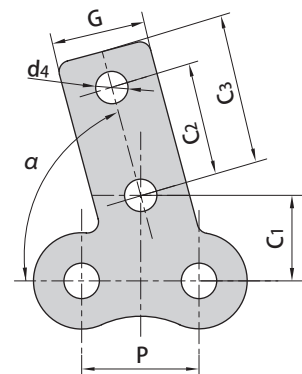
Donghua Chain No.	P	h	H	A	S
	mm	mm	mm	mm	mm
16AF8	25.4	11.2	40.2	29.2	3.1

Donghua Chain No.	P	d ₄	R ₁	R ₂
	mm	mm	mm	mm
16AF13	76.2	45.0	11.9	31.0

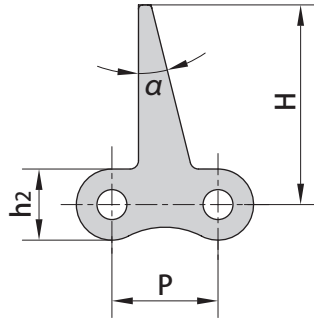


Donghua Chain No.	P	h	H	α
	mm	mm	mm	°
20AF2	31.75	12.5	51.0	74°

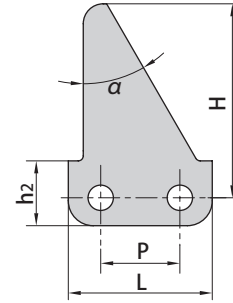
Donghua Chain No.	P	G	C ₁	C ₂	C ₃	d ₄	α
	mm	mm	mm	mm	mm	mm	°
20ASK1F1	31.75	25.4	23.0	30.0	40.0	8.7	75°



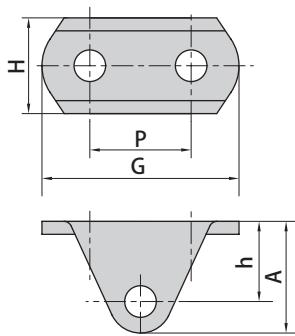
Conveyor Chain Special Attachments (A series)



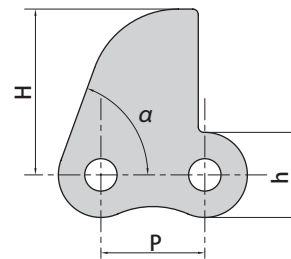
Donghua Chain No.	P	H	h2	α
	mm	mm	mm	
41F5	12.7	23.9	8.51	14°



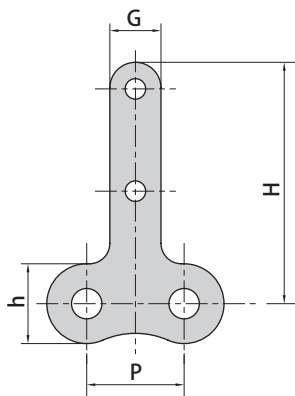
Donghua Chain No.	P	H	h2	L	α
	mm	mm	mm	mm	
10ASA0F1	15.875	38.5	13	29.5	30°



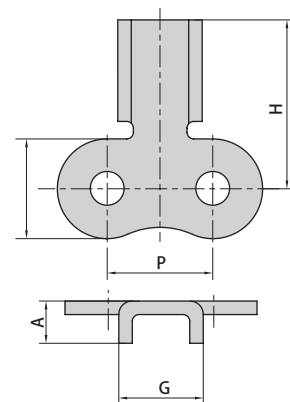
Donghua Chain No.	P	H	h	G	A
	mm	mm	mm	mm	m
16AF21	25.4	24	20.1	49.4	28.1



Donghua Chain No.	P	H	h	α
	mm	mm	mm	
12AHF27	19.05	30.2	15.6	70°

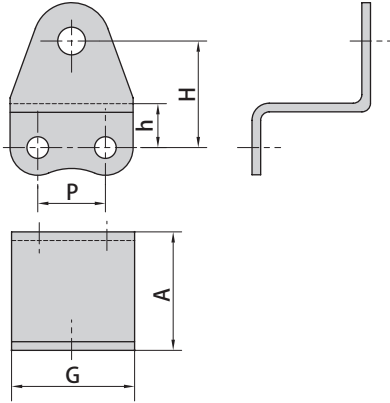


Donghua Chain No.	P	H	h	G
	mm	mm	mm	mm
12AHF30	19.05	47.2	15.6	10

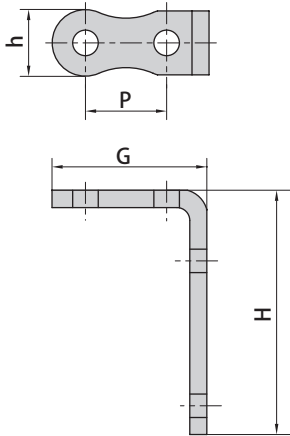


Donghua Chain No.	P	H	h	A	G
	mm	mm	mm	mm	mm
10AF25	15.875	25.4	15	6.35	12.7

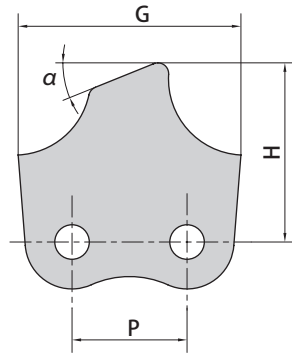
Conveyor Chain Special Attachments (A series)



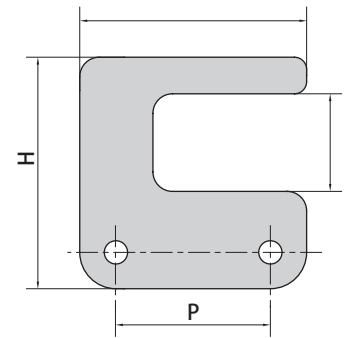
Donghua Chain No.	P	H	h	A	G
	mm	mm	mm	mm	mm
10AF17	15.875	25	10.3	27.8	28.88



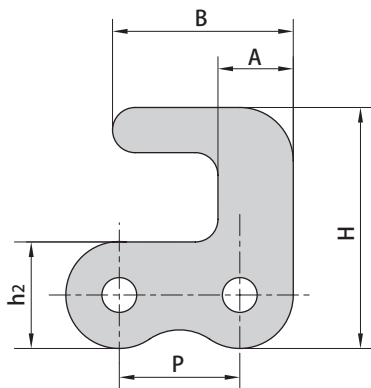
Donghua Chain No.	P	H	h	G
	mm	mm	mm	mm
12AF44	19.05	55	15.6	36.85



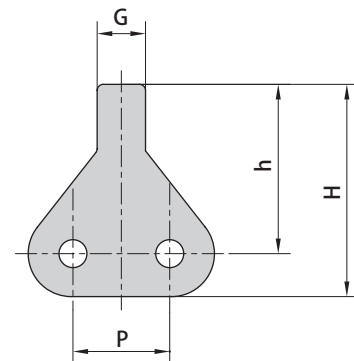
Donghua Chain No.	P	H	G	α
	mm	mm	mm	
20AF21	31.75	49.46	61.5	22°



Donghua Chain No.	P	H	h	G
	mm	mm	mm	mm
20AF18	63.5	40	15	93

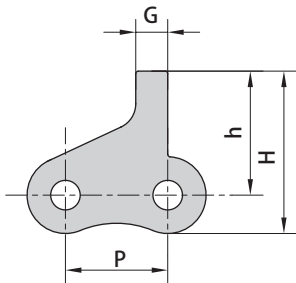


Donghua Chain No.	P	h2	H	A	B
	mm	mm	mm	mm	mm
05BF1	8.0	7.1	16.0	5.0	12.0

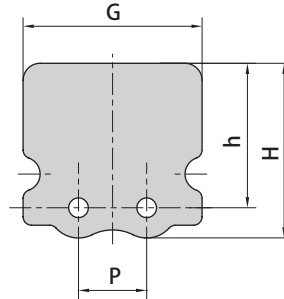


Donghua Chain No.	P	H	h	G
	mm	mm	mm	mm
05BF3	8	17.55	14	4

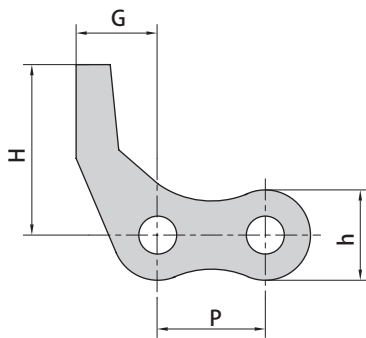
Conveyor Chain Special Attachments (B series)



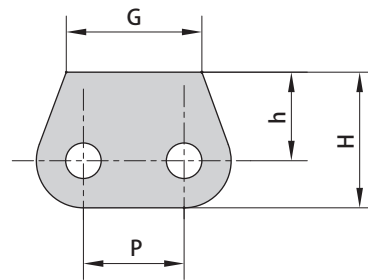
Donghua Chain No.	P	H	h	G
	mm	mm	mm	mm
05BF4	8	12.7	9.7	2.5



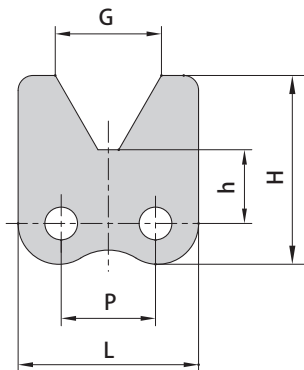
Donghua Chain No.	P	H	h	G
	mm	mm	mm	mm
05BF6	8	17.55	16.95	21



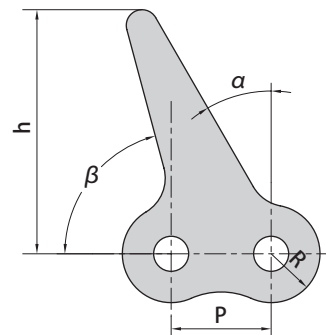
Donghua Chain No.	P	H	h	G
	mm	mm	mm	mm
08B-D53	12.7	20	10.6	11.5



Donghua Chain No.	P	H	h	G
	mm	mm	mm	mm
08BSK0F2	12.7	17	11.1	17

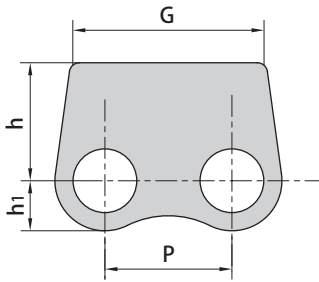


Donghua Chain No.	P	H	h	G	L
	mm	mm	mm	mm	mm
08BF61	12.7	25.4	9.9	14.3	24.3



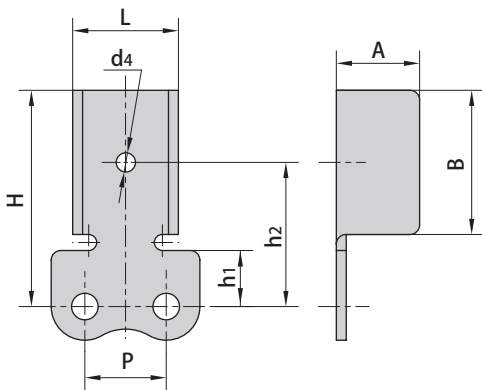
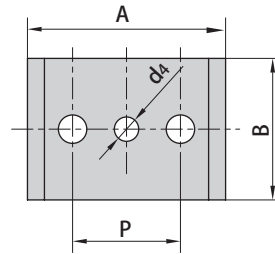
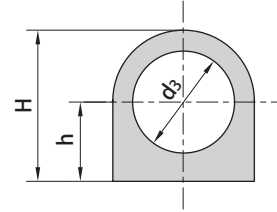
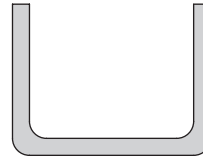
Donghua Chain No.	P	R	h	α	β
	mm	mm	mm		
08BF24	12.7	6.2	31.0	30°	75°

Conveyor Chain Special Attachments (B series)

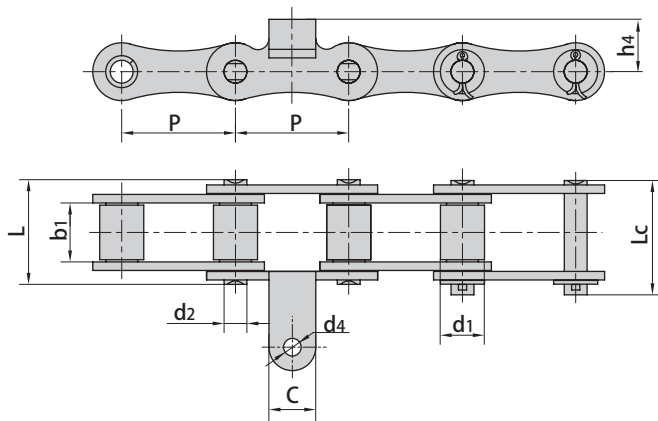
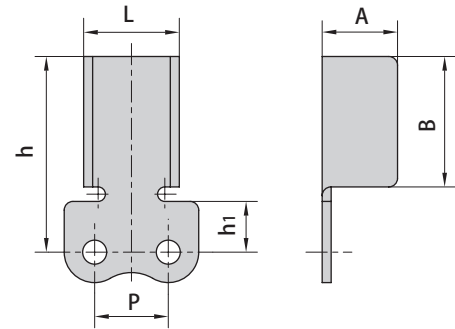


Donghua Chain No.	P	h ₁	h	G
	mm	mm	mm	mm
08BF37	12.7	5.0	11.8	20.0

Donghua Chain No.	P	h	H	A	B	d ₃	d ₄
	mm	mm	mm	mm	mm	mm	mm
12B-K188	19.05	14.0	26.7	35.0	25.0	18.0	4.3



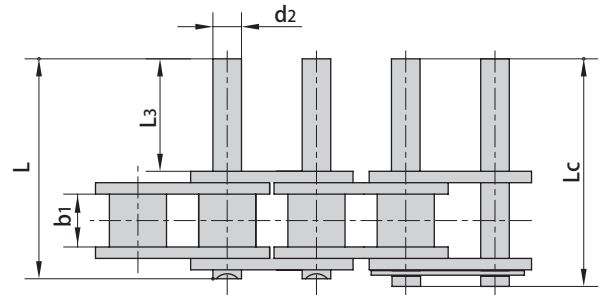
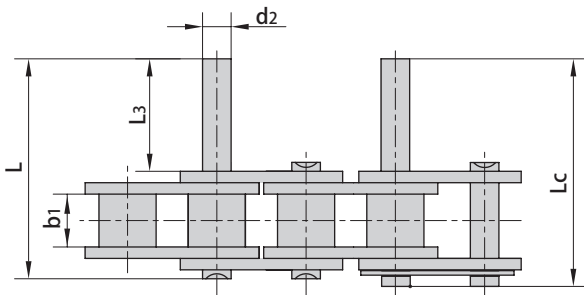
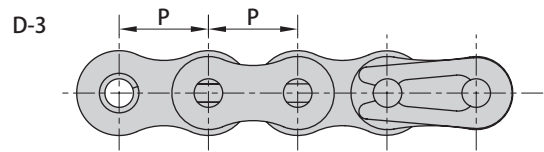
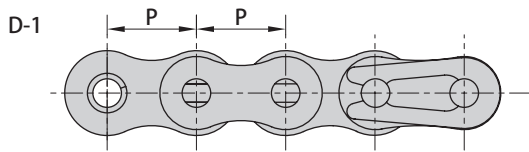
Donghua Chain No.	P	h ₁	h ₂	H	A	B	d ₄	L
	mm	mm	mm	mm	mm	mm	mm	mm
16BF11	25.4	24.5	47.5	64.5	36.0	35.0	6.0	52.7



Donghua Chain No.	P	h ₁	h	A	B	L
	mm	mm	mm	mm	mm	mm
20BF2	31.75	30.0	70.0	43.0	35.0	65.15

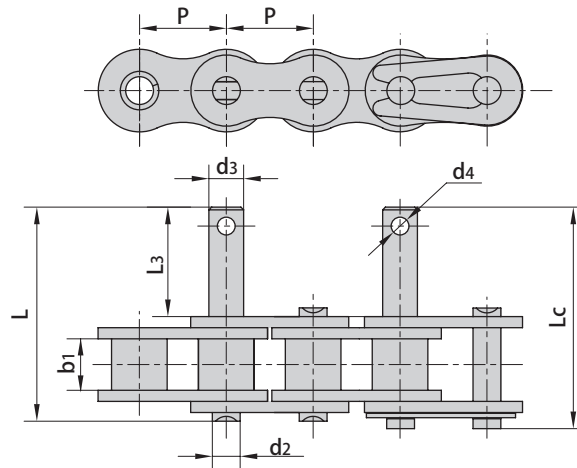
Donghua Chain No.	Pitch	Roller diameter	Width between inner plates	Pin diameter	Pin length		Plate dimension			Ultimate tensile strength	Average tensile strength	Weight per meter
	P	d ₁ max	b ₁ min	d ₂ max	L max	Lc max	C	h ₄	d ₄	Q min	Q ₀ min	q
	mm	mm	mm	mm	mm	mm	mm	mm	mm	kN/lbf	kN	kg/m
41PF	41.3	16.0	21.1	8.28	38.5	42.2	17.0	19.0	6.4	48.0/10906	52.8	2.57

Short Pitch Conveyor Chains with Extended Pins

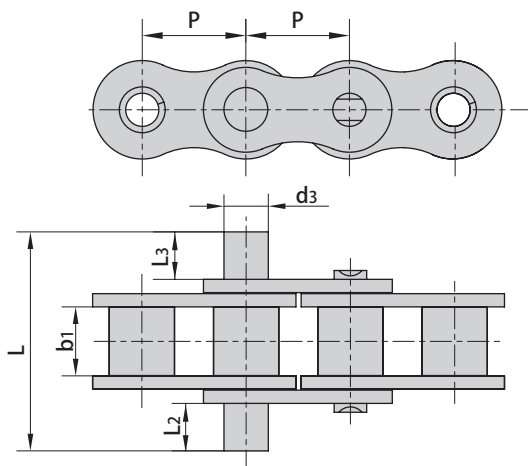


DIN/ISO Chain No.	ANSI Chain No.	P	b1	d2	L3	L	Lc
		mm	mm	mm	mm	mm	mm
06C	35	9.525	4.77	3.58	9.5	20.8	21.6
08A	40	12.700	7.85	3.96	9.5	25.1	26.2
10A	50	15.875	9.40	5.08	11.9	31.3	33.1
12A	60	19.050	12.57	5.94	14.3	38.6	40.6
16A	80	25.400	15.75	7.92	19.1	50.3	53.3
20A	100	31.750	18.90	9.53	23.8	61.8	66.1
24A	120	38.100	25.22	11.10	28.6	76.4	80.4
28A	140	44.450	25.22	12.70	33.3	84.8	89.4
32A	160	50.800	31.55	14.27	38.1	99.6	104.4
08B		12.700	7.75	4.45	9.5	25.1	26.6
10B		15.875	9.65	5.08	11.9	30.1	31.5
12B		19.050	11.68	5.72	14.3	35.4	37.1
16B		25.400	17.02	8.28	19.1	53.0	54.3
20B		31.750	19.56	10.19	41.0	79.9	83.6
24B		38.100	25.40	14.63	50.7	101.4	105.8
28B		44.450	30.99	15.90	61.9	124.0	128.4
32B		50.800	30.99	17.81	64.8	126.8	131.8

Conveyor Chains with Special Extended Pins

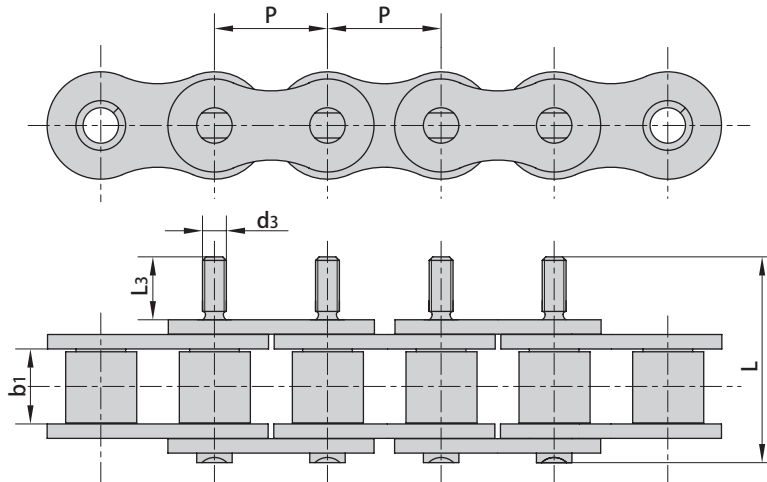


Donghua Chain No.	P	b1	d2	d3	L3	L	Lc	d4
	mm	mm	mm	mm	mm	mm	mm	mm
10A-D9	15.875	9.40	5.08	6.35	20.0	39.5	41.1	-
16AF1	25.400	15.88	7.92	9.00	20.0	51.2	54.7	-
08B-D4	12.700	7.75	4.45	6.00	15.0	31.2	32.4	-
08B-D7	12.700	7.75	4.45	6.00	14.0	30.2	31.4	2.6
08BF3	12.700	7.75	4.45	6.00	8.0	24.2	25.4	-
10BF2	15.875	9.65	5.08	6.00	25.0	43.4	44.8	-
10BF3	15.875	9.65	5.08	8.00	25.0	43.4	44.8	-
10B-D7	15.875	9.65	5.08	6.50	40.0	58.5	60.1	-
12B-D5	19.050	11.68	5.72	8.00	40.0	61.4	63.1	-
12B-D6	19.050	11.68	5.72	6.00	20.0	41.1	42.9	-
12B-D7	19.050	11.68	5.72	8.00	25.0	46.4	48.2	-

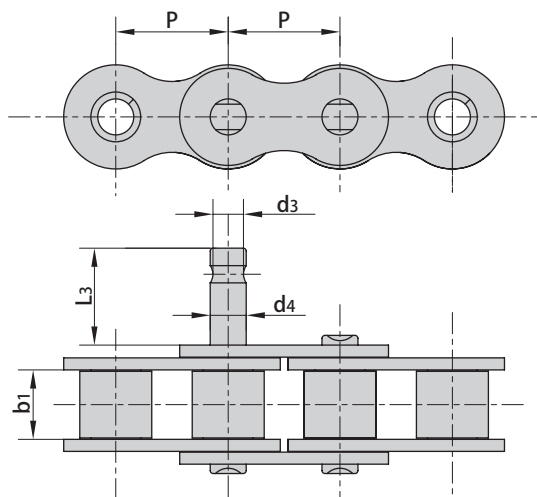


Donghua Chain No.	P	b1	d3	L2	L3	L
	mm	mm	mm	mm	mm	mm
12A-D7	19.050	12.57	8.10	8.6	8.6	40.0
06B-D4	9.525	5.72	3.28	3.0	5.0	19.4
08B-D8	12.700	7.75	4.45	10.0	38.0	62.5
08BF7	12.700	7.75	4.45	3.0	5.0	22.8
16BF4	25.400	17.02	8.28	18.0	18.0	68.0

Conveyor Chains with Special Extended Pins



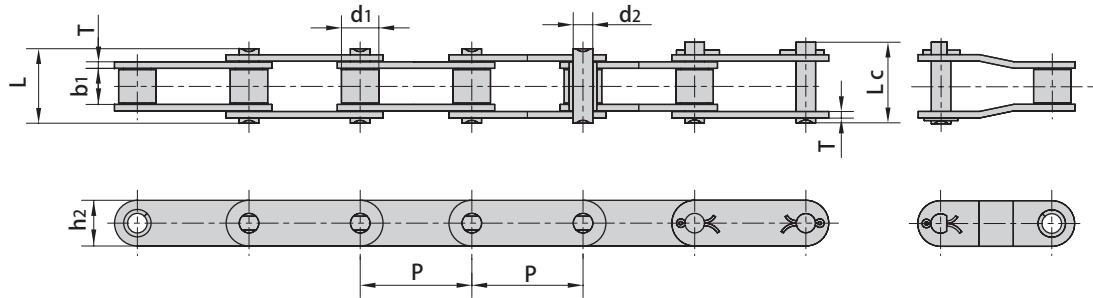
Donghua Chain No.	P	b1	d3	L3	L
	mm	mm	mm	mm	mm
12AF19	19.05	12.57	M4	10.0	34.5
12BF13	19.05	11.68	M4	10.0	31.0



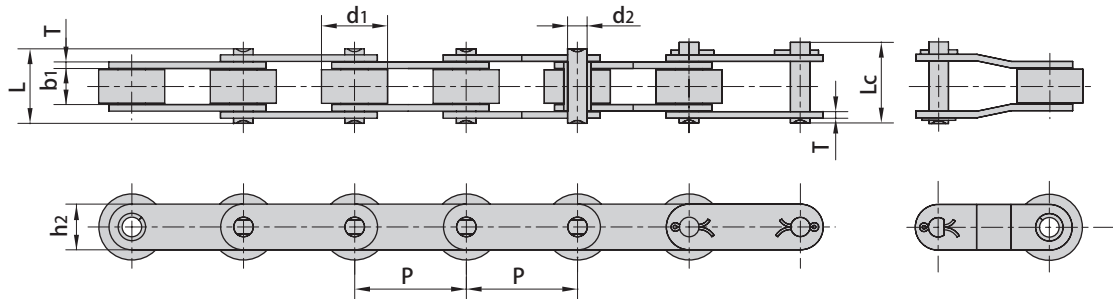
Donghua Chain No.	P	b1	d3	d4	L3
	mm	mm	mm	mm	mm
10B-D9	15.875	9.65	4.5	5.08	13.0
10B-D12	15.875	9.65	4.5	5.08	12.0
12B-D8	19.05	11.68	5.15	5.72	13.0

Double Pitch Conveyor Chains

Small Roller Type

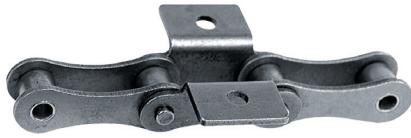


Large Roller Type

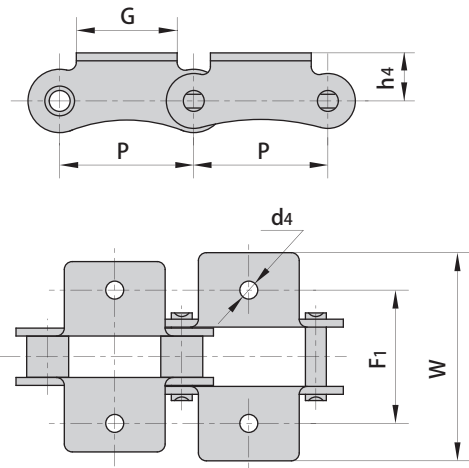


ISO Chain No.	ANSI Chain No.	Pitch	Roller diameter	Width between inner plates	Pin diameter	Pin length		Inner plate depth	Plate thickness	Ultimate tensile strength	Average tensile strength	Weight per meter
		P mm	d1 max mm	b1 min mm	d2 max mm	L max mm	Lc max mm	h2 max mm	T max mm	Q min kN/lbf	Q0 kN	q kg/m
C208A C208AL	C2040 C2042	25.40	7.95 15.88	7.85	3.96	16.6 17.8	17.8	12.0	1.50	14.1/3205	16.7	0.50 0.84
C208AH	C2040H	25.40	7.95	7.85	3.96	18.8 19.9	19.9	12.0	2.03	14.1/3205	17.2	0.65
C208B C208BL		25.40	8.51 15.88	7.75	4.45	16.7 18.2	18.2	11.8	1.60	18.0/4091	19.4	0.55 0.89
C210A C210AL	C2050 C2052	31.75	10.16 19.05	9.40	5.08	20.7 22.2	22.2	15.0	2.03	22.2/5045	28.1	0.78 1.27
C212A C212AL	C2060 C2062	38.10	11.91 22.23	12.57	5.94	25.9 27.7	27.7	18.0	2.42	31.8/7227	36.8	1.12 1.61
C212AH C212AHL	C2060H C2062H	38.10	11.91 22.23	12.57	5.94	29.2 31.6	31.6	18.0	3.25	31.8/7227	41.6	1.44 2.07
C216A C216AL	C2080 C2082	50.80	15.88 28.58	15.75	7.92	32.7 36.5	36.5	24.0	3.25	56.7/12886	65.7	2.08 3.12
C216AH C216AHL	C2080H C2082H	50.80	15.88 28.58	15.75	7.92	36.2 39.4	39.4	24.0	4.00	56.7/12886	70.0	2.54 3.58
C220A C220AL	C2100 C2102	63.50	19.05 39.67	18.90	9.53	40.4 44.7	44.7	30.0	4.00	88.5/20114	102.6	3.01 4.83
C220AH C220AHL	C2100H C2102H	63.50	19.05 39.67	18.90	9.53	43.6 46.9	46.9	30.0	4.80	88.5/20114	112.4	3.56 5.38
C224A C224AL	C2120 C2122	76.20	22.23 44.45	25.22	11.10	50.3 54.3	54.3	35.7	4.80	127.0/28864	147.3	4.66 7.66
C224AH C224AHL	C2120H C2122H	76.20	22.23 44.45	25.22	11.10	53.5 57.5	57.5	35.7	5.60	127.0/28864	160.9	5.26 8.26
C232A C232AL	C2160 C2162	101.60	28.58 57.15	31.75	14.27	64.8 69.6	69.6	47.8	6.40	226.8/51545	278.9	8.15 13.00
C232AH C232AHL	C2160H C2162H	101.60	28.58 57.15	31.75	14.27	68.2 73.0	73.0	47.8	7.20	226.8/51545	285.8	9.06 13.84

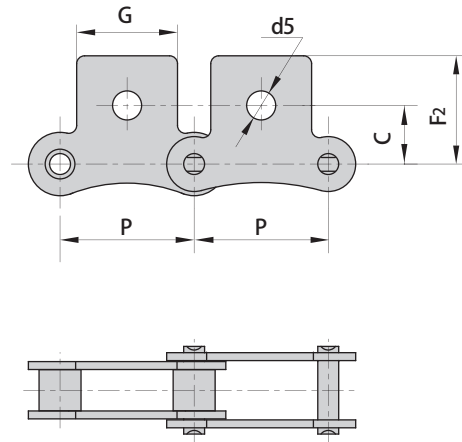
Double Pitch Conveyor Chain Attachments



K1 X 2



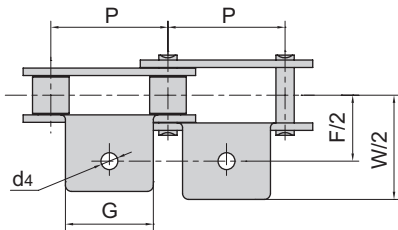
M1 X 2



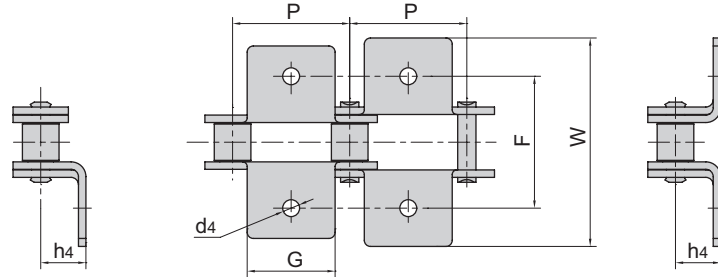
DIN/ISO Chain No.	ANSI Chain No.	P	G	F1	W	h4	d4	C	F2	d5
		mm	mm	mm	mm	mm	mm	mm	mm	mm
208A	2040	25.40	19.1	25.4	39.6	9.1	3.4	11.1	20.5	5.5
210A	2050	31.75	23.8	31.8	49.0	11.1	5.5	14.3	25.0	6.6
212A	2060	38.10	28.6	42.9	67.8	14.7	5.5	17.5	32.9	9.2
216A	2080	50.80	38.1	55.6	87.8	19.1	6.8	22.2	43.5	11.0
220A	2100	63.50	47.6	66.6	107.5	23.4	9.2	28.6	50.4	13.0
224A	2120	76.20	57.2	79.3	121.4	27.8	10.5	33.3	55.5	15.0
208B		25.40	23.2	25.4	39.6	9.1	4.5	11.1	20.5	5.5
210B		31.75	23.8	31.8	49.0	11.1	5.5			
212B		38.10	35.0	38.1	57.0	14.7	6.6			
216B		50.80	44.0	50.8	84.0	19.1	6.6			
220B		63.50	52.0	63.5	104.0	23.4	8.4			
224B		76.20	60.0	76.2	120.0	27.8	10.5			

Double Pitch Conveyor Chain Attachments

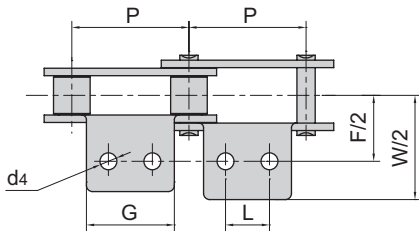
K1 X 1



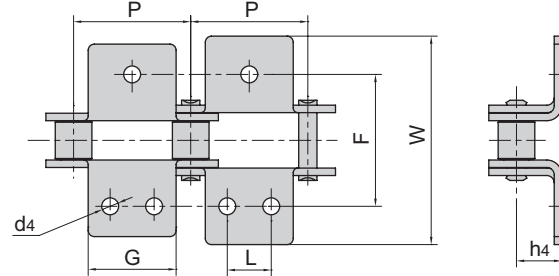
K1 X 2



K2 X 1

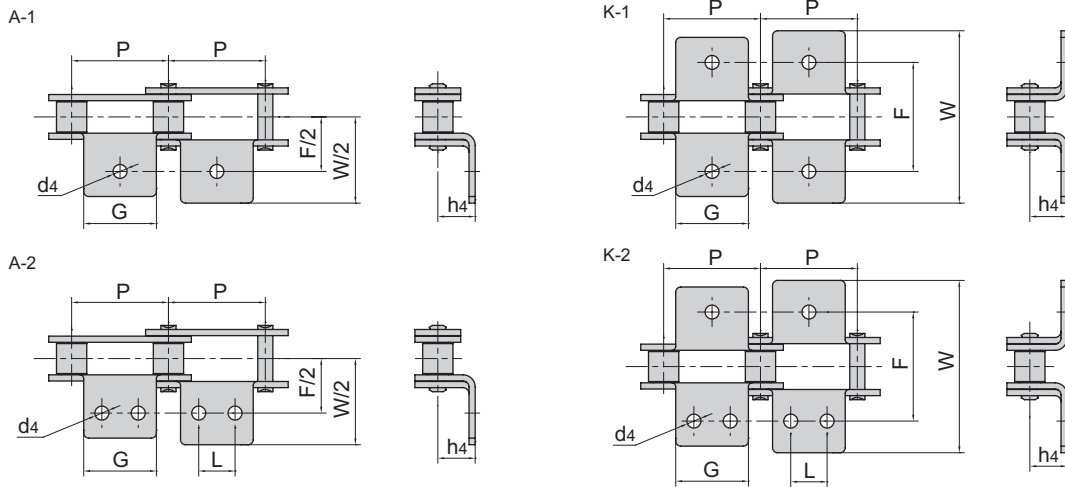


K2 X 2



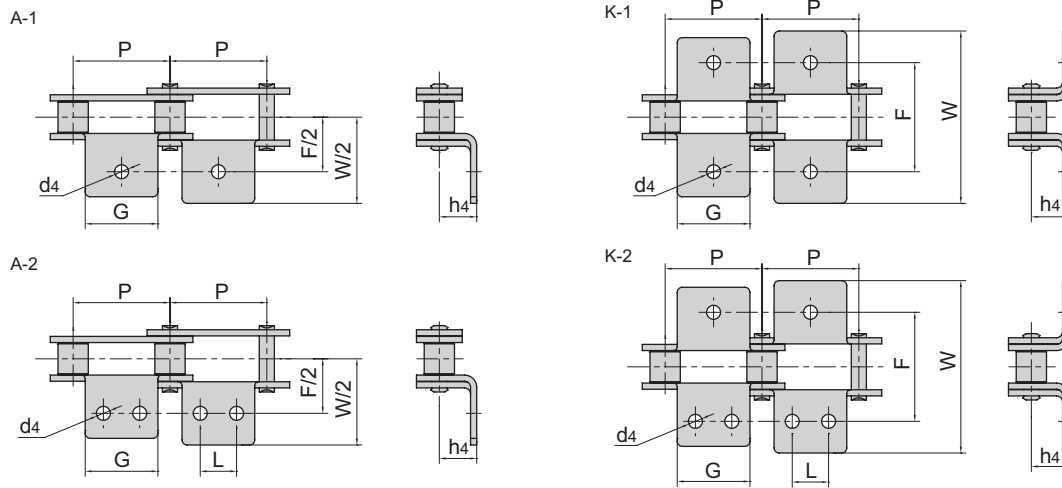
ISO Chain No.	ANSI Chain No.	P	G	L	F	W	h ₄	d ₄
		mm	mm	mm	mm	mm	mm	mm
C208A	C2040	25.40	19.1	9.5	25.4	39.6	9.1	3.4
C208AL	C2042		23.2	12.7	25.4	39.6	9.1	4.5
C210A	C2050	31.75	23.8	11.9	31.8	49.0	11.1	5.5
C210AL	C2052		28.6	14.3	42.9	67.8	14.7	5.5
C212A	C2060	38.10	28.6	14.3	42.9	67.8	14.7	5.5
C212AL	C2062		28.6	14.3	42.9	67.8	14.7	5.5
C212AH	C2060H	38.10	28.6	14.3	42.9	67.8	14.7	5.5
C212AHL	C2062H		38.1	19.1	55.6	87.8	19.1	6.8
C216A	C2080	50.80	38.1	19.1	55.6	87.8	19.1	6.8
C216AL	C2082		38.1	19.1	55.6	87.8	19.1	6.8
C216AH	C2080H	50.80	38.1	19.1	55.6	87.8	19.1	6.8
C216AHL	C2082H		63.50	47.6	23.8	66.6	107.5	23.4
C220A	C2100	63.50	47.6	23.8	66.6	107.5	23.4	9.2
C220AL	C2102		47.6	23.8	66.6	107.5	23.4	9.2
C220AH	C2100H	63.50	47.6	23.8	66.6	107.5	23.4	9.2
C220AHL	C2102H		76.20	57.2	28.6	79.3	121.4	27.8
C224A	C2120	76.20	57.2	28.6	79.3	121.4	27.8	11.0
C224AL	C2122		57.2	28.6	79.3	121.4	27.8	11.0
C224AH	C2120H	76.20	57.2	28.6	79.3	121.4	27.8	11.0
C224AHL	C2122H		101.60	76.2	38.1	104.7	151.6	36.5
C232A	C2160	101.60	76.2	38.1	104.7	151.6	36.5	13.1
C232AL	C2162		76.2	38.1	104.7	151.6	36.5	13.1
C232AH	C2160H	101.60	76.2	38.1	104.7	151.6	36.5	13.1
C232AHL	C2162H							

Double Pitch Conveyor Chain Attachments



Donghua Chain No.	P	G	L	F	W	h4	d4
	mm	mm	mm	mm	mm	mm	mm
C208AF1	25.40	19.0	-	25.7	38.3	8.8	4.10
C2042F1	25.40	19.0	-	25.4	40.0	9.0	5.20
C2040A1F3	25.40	19.0	-	25.4	38.2	19.8	5.30
C2042A1F4	25.40	19.0	-	25.4	39.6	9.1	5.00
C2040A2F1	25.40	19.0	9.00	25.4	38.4	9.0	5.20
C2042HK1F1	25.40	19.0	-	47.0	60.0	9.1	7.00
C2050A1F6	31.75	23.8	-	31.8	49.0	11.4	6.30
C2052A2F1	31.75	19.0	11.90	31.8	49.0	11.1	6.00
C2052A2F2	31.75	19.0	15.88	31.8	49.0	11.1	5.50
C2052A2F3	31.75	25.8	12.70	31.8	49.2	11.1	4.80
C2060K1F1	38.10	28.6	-	42.9	68.0	14.7	8.50
C2062HK1F5	38.10	28.6	-	42.9	67.8	14.7	7.90
C2062A1F13	38.10	30.0	-	70.2	98.0	14.7	8.50
C2062A2F6	38.10	28.6	14.30	42.9	67.8	14.7	6.00
C2062K2F7	38.10	28.6	14.30	42.9	67.8	14.7	6.50
C2060HF3A2	38.10	28.6	14.30	42.9	67.8	14.7	5.20
C2062HF15	38.10	28.6	14.30	42.9	67.8	14.7	M5
C2060HK1F	38.10	28.6	-	42.9	67.8	14.7	8.00
C2062HA1F4	38.10	20.0	-	45.8	65.8	9.0	6.80
C2062HK1F5	38.10	28.6	-	42.9	67.8	14.7	7.90
C2062HA1F7	38.10	28.6	-	42.9	67.8	14.7	5.20
C2060HA1F12	38.10	28.0	-	43.4	61.8	13.9	6.60
C2060HK2F3	38.10	28.6	14.30	42.9	64.8	14.7	5.00
C2062HK2F4	38.10	28.6	14.30	42.9	56.4	14.7	5.20
C2062HK2F5	38.10	28.6	14.30	55.6	76.0	11.1	5.50
C2060HK1F26	38.10	28.6	-	42.9	67.8	14.7	9.20
C2062HA1F25	38.10	28.0	-	59.0	75.0	9.0	6.00
C2062A2F22	38.10	28.6	14.30	42.9	57.4	14.7	5.50
C2060HK1F22	38.10	28.6	-	42.9	67.8	14.7	8.50
C2062A2F24	38.10	28.6	14.30	42.9	67.8	14.7	4.76
C216AF3	50.80	39.0	19.10	59.0	78.5	23.0	7.00
C2082A2F1	50.80	39.0	19.00	58.0	82.0	21.5	7.00

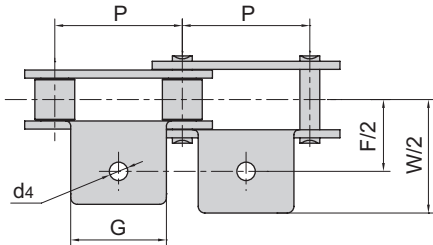
Double Pitch Conveyor Chain Attachments



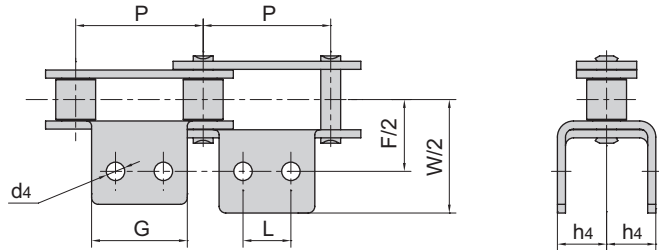
Donghua Chain No.	P	G	L	F	W	h4	d4
	mm	mm	mm	mm	mm	mm	mm
C2082A2F2	50.80	39.0	19.00	58.0	82.0	21.50	10.00
C2082K2F5	50.80	38.1	19.10	120.0	140.0	19.10	6.80
C2080HF	50.80	38.1	19.10	55.6	75.2	17.80	10.00
C2082HK1F5	50.80	38.1	-	55.6	79.6	19.10	8.00
C2082HA1F6	50.80	38.1	-	55.6	77.8	19.10	10.00
C2082HK1F7	50.80	38.1	-	55.6	79.6	19.10	6.50
C2080HK1F8	50.80	38.1	-	55.6	87.8	19.10	9.00
C2082HK1F9	50.80	38.1	-	55.6	81.5	19.10	M8
C2080HA1F12	50.80	38.1	19.1	55.6	73.0	19.10	8.10
C2080HK1F13	50.80	38.1	-	55.6	80.0	19.10	9.00
C2082HA1F17	50.80	38.1	-	55.6	87.8	19.10	9.50
C2080HSLRA2F5	50.80	38.1	22.2	63.5	87.8	19.05	8.80
C2082HA2F6	50.80	38.1	19.1	55.6	87.8	19.10	8.00
C2082F64K2	50.80	34.9	20.0	54.0	79.0	16.00	M6
C2082HA1F21	50.80	38.1	-	55.6	88.3	19.10	10.20
C2080HSLRA2F23	50.80	38.1	19.1	55.6	87.8	19.10	M8
C2082A1F22	50.80	38.1	-	49.6	76.2	16.00	10.50
C2082HK1F23	50.80	38.1	-	55.6	87.8	19.10	8.00
C2082HA2F22	50.80	60.0	40.0	62.6	82.6	39.50	9.00
C2082A2F23	50.80	65.0	44.0	62.0	86.0	19.40	7.00
C2100HK1F1	63.50	47.6	-	66.0	92.0	25.00	12.50
C220ALA2F5	63.50	52.0	31.0	66.6	107.4	23.40	9.20
C220AHK1F1	63.50	47.6	-	66.0	92.0	25.00	12.50
C2102HA2F3	63.50	47.6	23.8	66.6	99.8	23.40	3/8"
C220AHA2F2	63.50	47.6	23.8	66.6	107.5	23.40	9.20
C220ALA1F5	63.50	47.6	-	76.6	107.5	23.40	11.00
C224AHK2F2	76.20	72.0	40.0	79.3	121.4	27.80	13.00
C2162HA2F2	101.60	36.5	38.1	104.7	151.6	36.50	18.00
C208BHK1F7	25.40	23.2	-	25.4	39.6	9.10	6.50
C208BA1F8	25.40	14.8	-	25.6	37.8	9.80	5.50

Double Pitch Conveyor Chain Attachments

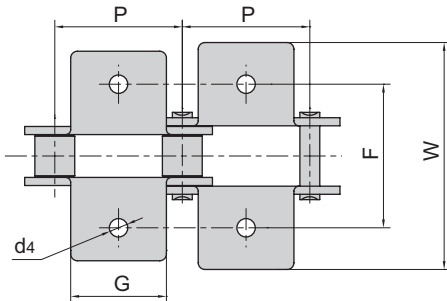
AA-1



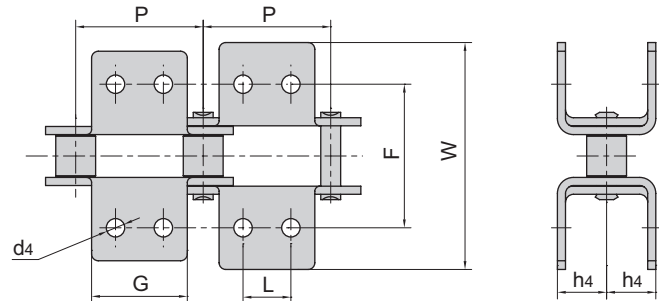
AA-2



KK-1

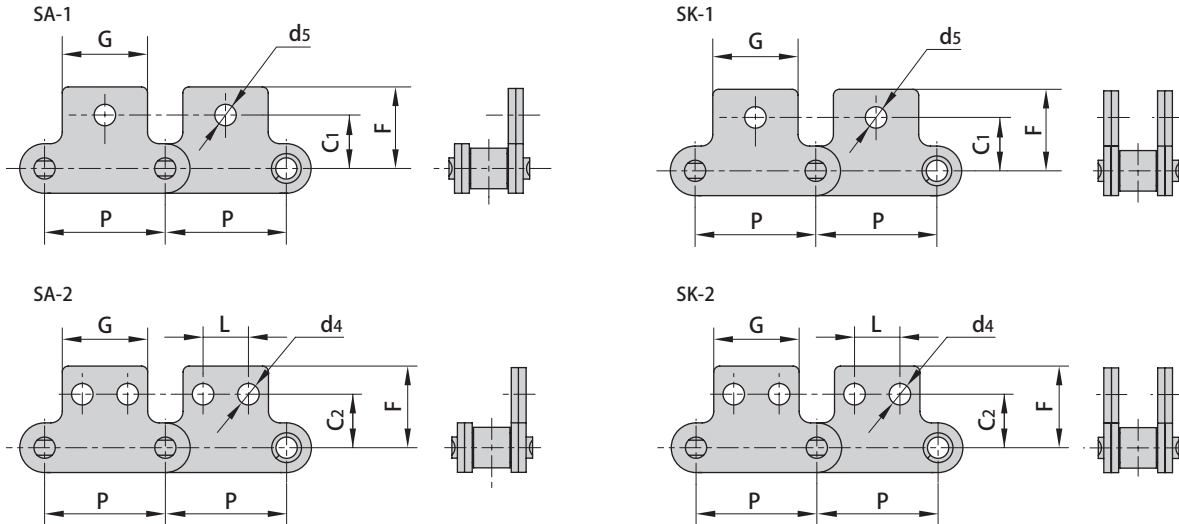


KK-2



Donghua Chain No.	ANSI Chain No.	P	G	L	F	W	h4	d4
		mm	mm	mm	mm	mm	mm	mm
C208A C208AL	C2040 C2042	25.40	19.1	9.5	25.4	39.6	9.1	3.4
C208B C208BL		25.40	23.2	12.7	25.4	39.6	9.1	4.5
C210A C210AL	C2050 C2052	31.75	23.8	11.9	31.8	49.0	11.1	5.5
C212A C212AL	C2060 C2062	38.10	28.6	14.3	42.9	67.8	14.7	5.5
C212AH C212AHL	C2060H C2062H	38.10	28.6	14.3	42.9	67.8	14.7	5.5
C216A C216AL	C2080 C2082	50.80	38.1	19.1	55.6	87.8	19.1	6.8
C216AH C216AHL	C2080H C2082H	50.80	38.1	19.1	55.6	87.8	19.1	6.8
2060AA2F1		38.10	38.1	19.0	37.5	57.5	14.8	6.5
C2062AA1F1		38.10	14.0	-	33.4	52.0	9.0	6.4
C2080K1F4		50.80	38.1	-	80.0	112.0	15.3	8.5
C2082HAA1F1		50.80	25.0	-	78.8	128.8	17.5	8.0
C2082HAA1F2		50.80	25.0	-	77.8	127.8	17.5	12.0
C2122HAA1		76.20	57.2	-	79.3	121.4	27.8	11.0

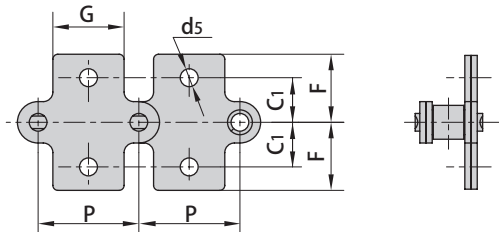
Double Pitch Conveyor Chain Attachments



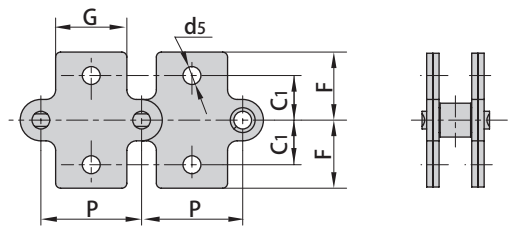
Donghua Chain No.	ANSI Chain No.	P	G	L	C ₁	C ₂	F	d ₄	d ₅
		mm	mm	mm	mm	mm	mm	mm	mm
C208A	C2040	25.40	19.10	9.50	11.1	13.50	20.5	3.4	5.50
C208AL	C2042								
C208B		25.40	23.20	12.70	11.1	13.50	20.5	4.5	5.50
C208BL									
C210A	C2050	31.75	23.80	11.90	14.3	15.90	25.0	5.5	6.60
C210AL	C2052								
C212A	C2060	38.10	28.60	14.30	17.5	19.10	32.9	5.5	9.20
C212AL	C2062								
C212AH	C2060H	38.10	28.60	14.30	17.5	19.10	32.9	5.5	9.20
C212AHL	C2062H								
C216A	C2080	50.80	38.10	19.10	22.2	25.40	43.5	6.6	11.00
C216AL	C2082								
C216AH	C2080H	50.80	38.10	19.10	22.2	25.40	43.5	6.6	11.00
C216AHL	C2082H								
C220A	C2100	63.50	47.60	23.80	28.6	31.80	50.4	8.4	13.00
C220AL	C2102								
C220AH	C2100H	63.50	47.60	23.80	28.6	31.80	50.4	8.4	13.00
C220AHL	C2102H								
C2042HWSA2		25.40	37.30	9.50	-	13.50	20.5	3.4	-
C2050HWSA2F1		31.75	46.75	31.75	-	15.90	25.0	5.5	-
C2060SA2F1		38.10	28.60	14.30	-	19.10	26.1	5.5	-
C2062HSK2F1		38.10	28.60	14.30	-	19.10	23.8	5.2	-
C2060HSK1F1		38.10	28.60	-	17.3	-	30.0	-	11.80
C216AH2F		50.80	38.10	19.10	-	25.40	43.5	6.5	-
C2082F58SA1-P		50.80	38.50	-	27.0	-	39.5	-	8.10
C2080HSLRSA2F5		50.80	38.10	19.10	-	25.40	43.5	6.8	-
C2100HSA1		63.50	47.60	-	28.6	-	50.4	-	13.00
C224ALSK2F1		76.20	57.20	28.6	-	37.30	59.9	-	11.00
C2122HSA1F1		76.20	57.20	-	37.3	-	59.9	-	14.30
C224AHLSA2F1		76.20	57.20	28.6	-	37.30	59.9	-	9.53
208BSK1F2		25.40	14.00	-	17.7	-	21.3	-	3.20
208BSK1F3		25.40	13.00	-	14.7	-	26.7	-	3.10
208BSK1F4		25.40	24.20	-	14.3	-	20.5	-	4.20

Double Pitch Conveyor Chain Attachments

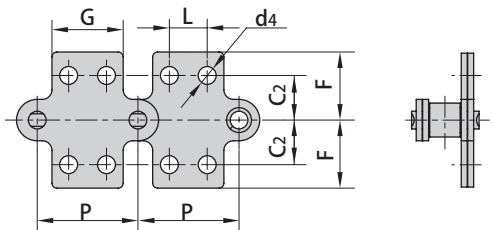
SAA-1



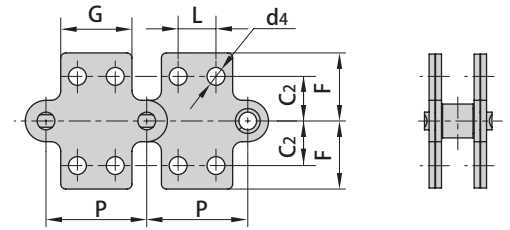
SKK-1



SAA-2

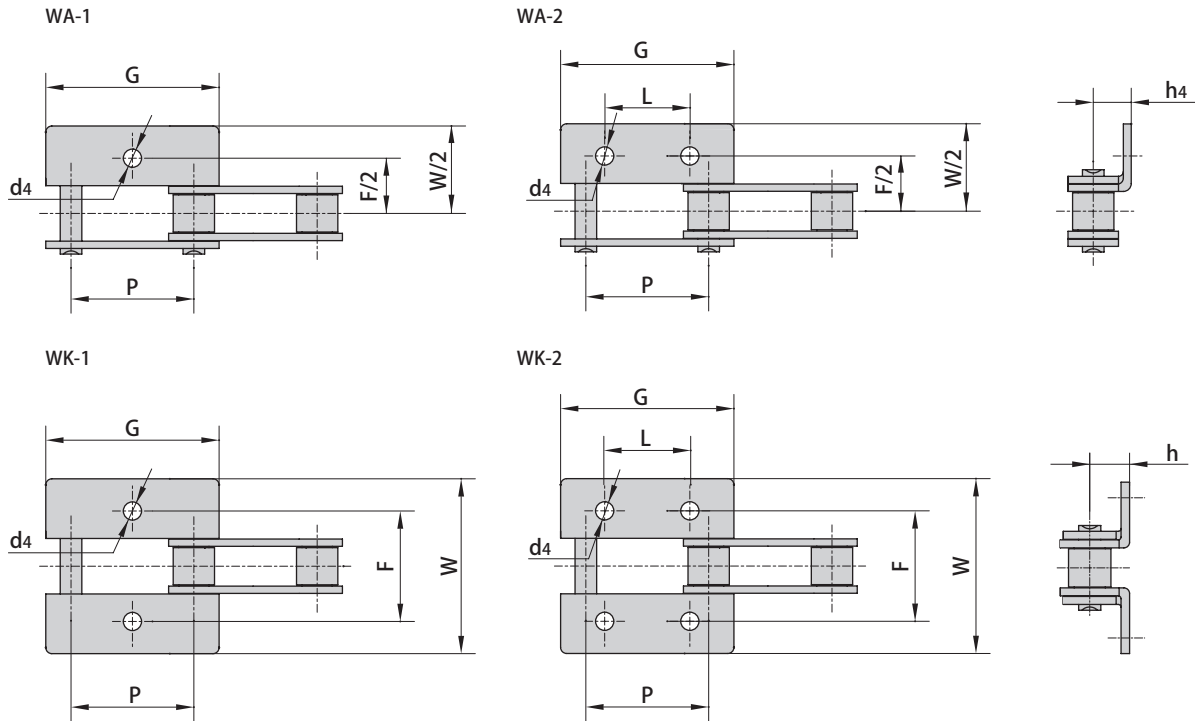


SKK-2



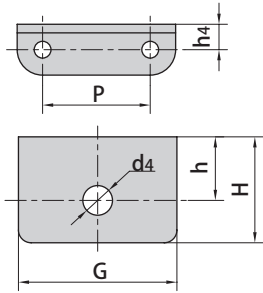
Donghua Chain No.	ANSI Chain No.	P	G	L	C1	C2	F	d4	d5
		mm	mm	mm	mm	mm	mm	mm	mm
C208A C208AL	C2040 C2042	25.40	19.1	9.5	11.1	13.5	20.5	3.4	5.5
C208B C208BL		25.40	23.2	12.7	11.1	13.5	20.5	4.5	5.5
C210A C210AL	C2050 C2052	31.75	23.8	11.9	14.3	15.9	25.0	5.5	6.6
C212A C212AL	C2060 C2062	38.10	28.6	14.3	17.5	19.1	32.9	5.5	9.2
C212AH C212AHL	C2060H C2062H	38.10	28.6	14.3	17.5	19.1	32.9	5.5	9.2
C216A C216AL	C2080 C2082	50.80	38.1	19.1	22.2	25.4	43.5	6.6	11.0
C216AH C216AHL	C2080H C2082H	50.80	38.1	19.1	22.2	25.4	43.5	6.6	11.0
C2060HSAA1F1		38.10	24.0	-	25.4	-	43.5	11.0	-

Double Pitch Conveyor Chain Attachments

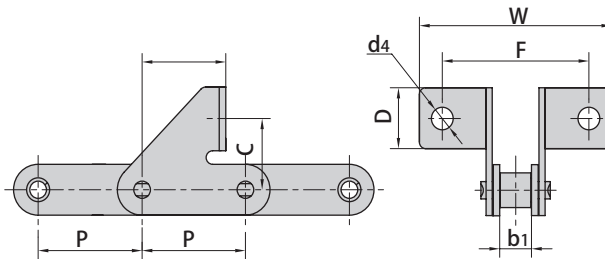


Donghua Chain No.	P	G	L	F	W	h4	d4
	mm	mm	mm	mm	mm	mm	mm
C2040K1F2	25.40	37.0	-	62.0	110.0	9.1	7.0
C2042HF1	25.40	37.4	-	42.5	65.5	6.0	7.0
C2052WA1F2	31.75	46.8	-	76.2	95.2	7.5	7.1
C2062WA2F1	38.10	56.1	38.1	42.9	67.8	14.7	6.5
C2062WK2F2	38.10	56.1	38.1	43.0	68.0	14.7	7.8
C2062HWA1F4	38.10	55.6	-	76.2	95.3	8.7	7.1
C2062HWA2	38.10	56.1	14.3	42.9	67.8	14.7	5.5
C2062HWA2F4	38.10	55.6	38.1	76.2	95.3	8.7	7.1
C2060WA2	38.10	56.1	38.1	42.9	58.5	14.7	5.5
C216ALF5	50.80	74.8	44.3	62.2	88.0	19.1	7.0
C2082F12	50.80	74.8	50.8	55.6	88.0	19.1	8.4
C2082F24	50.80	74.8	56.8	55.6	87.8	19.1	6.8
C2082HF1A2	50.80	74.8	30.0	60.0	84.0	18.0	8.5
C2080HWK2	50.80	74.8	50.8	55.6	87.8	19.1	6.8
C2082WA2F4	50.80	74.8	50.8	55.6	88.0	14.0	7.0
C2100HWA2	63.50	93.5	63.5	66.6	107.4	23.4	8.4
C224AHWK2	76.20	111.9	76.2	79.3	111.9	27.8	11.0
C2102HK2-M8	63.50	47.6	23.8	66.6	107.5	23.4	M8
C208BK2F	25.40	37.2	12.7	28.0	42.0	8.5	5.5
212BWK2F1	38.10	54.1	19.0	35.2	54.8	12.2	6.4
212BWK2F2	38.10	54.1	19.0	35.0	54.8	12.7	7.0
216BWA2F1	50.80	71.8	25.4	58.0	80.0	17.0	8.4

Double Pitch Conveyor Chain Special Attachments

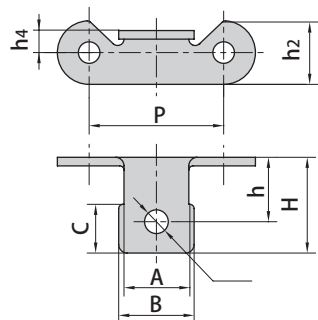


Donghua Chain No.	P	h	H	h ₄	G	d ₄
	mm	mm	mm	mm	mm	mm
C2042HF1	25.40	15.0	25.0	6.0	37.4	7.0

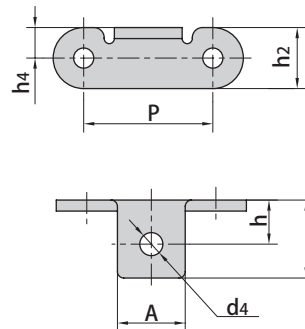


Donghua Chain No.	P	b ₁	F	W	C	D	E	d ₄
	mm	mm	mm	mm	mm	mm	mm	mm
C2050SD	31.75	9.4	45.0	59.0	21.2	18.0	25.7	6.6

C2052A1F1

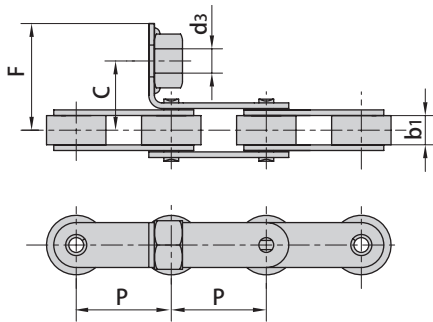


C2062HA1F4



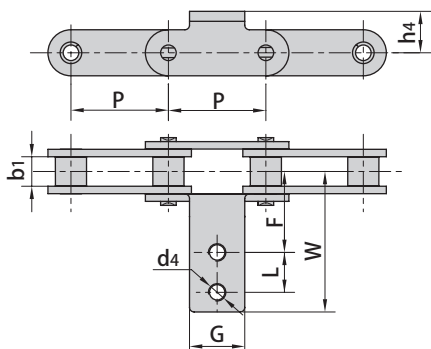
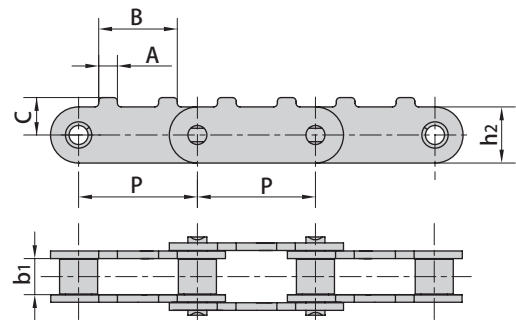
Donghua Chain No.	P	A	B	C	h	H	h ₂	h ₄	d ₄
	mm	mm	mm	mm	mm	mm	mm	mm	mm
C2052A1F1	31.75	15.3	17.8	11.5	14.7	22.6	15.0	5.2	6.5
C2062HA1F4	38.10	20.0	-	-	13.0	23.0	18.0	9.0	6.8

Double Pitch Conveyor Chain Special Attachments



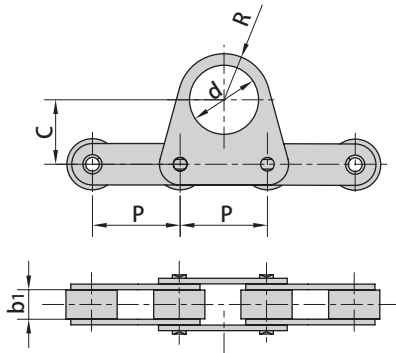
Donghua Chain No.	P	b ₁	C	F	d ₃
	mm	mm	mm	mm	mm
C2042F4	25.4	7.85	18.5	28.5	M8

Donghua Chain No.	P	b ₁	h ₂	A	B	C
	mm	mm	mm	mm	mm	mm
C2050F9	31.75	9.4	15.0	5.0	21.0	10.0



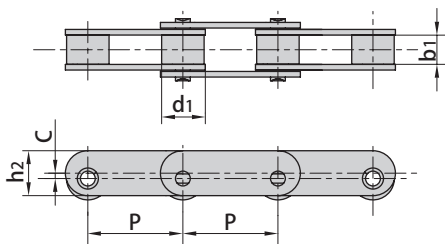
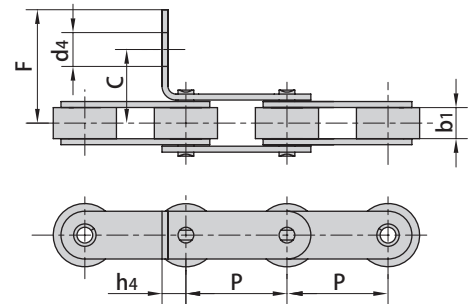
Donghua Chain No.	P	b ₁	G	L	F	W	h ₄	d ₄
	mm	mm	mm	mm	mm	mm	mm	mm
C2050HF2	31.75	9.4	18.0	13.0	36.1	56.5	13.5	M5

Double Pitch Conveyor Chain Special Attachments

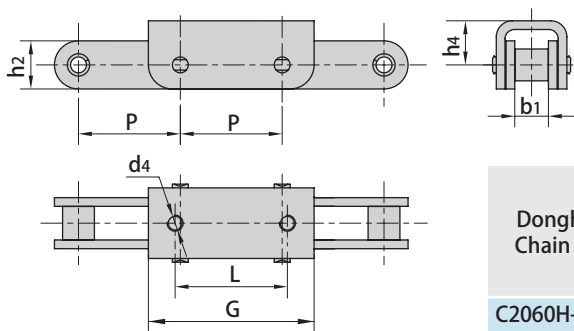


Donghua Chain No.	P	b ₁	C	d	R
	mm	mm	mm	mm	mm
C2062F5	38.1	12.57	28.0	30	20

Donghua Chain No.	P	b ₁	C	F	d ₄	h ₄
	mm	mm	mm	mm	mm	mm
C2042F8	25.4	7.85	17.75	28	8.5	10
C2062HF13	38.1	12.57	31.9	42.9	6	9.8
C224AF2	76.2	25.22	52.7	77.75	13	26.8

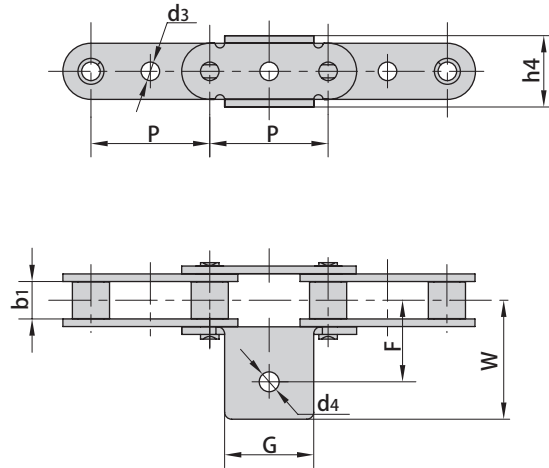


Donghua Chain No.	P	b ₁	C	h ₂	d ₁
	mm	mm	mm	mm	mm
C2062F6	38.1	12.57	3.0	23.0	22.23
C2082F8	50.8	15.75	3.5	25.0	28.58

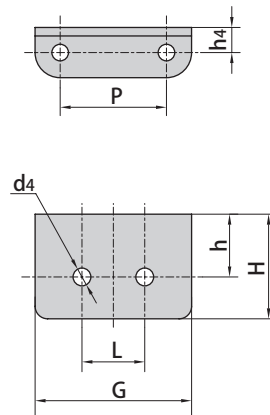


Donghua Chain No.	P	b ₁	L	G	d ₄	h ₂	h ₄
	mm	mm	mm	mm	mm	mm	mm
C2060H-U1F1	38.1	12.57	42.0	62.0	M6	18.0	16.5

Double Pitch Conveyor Chain Special Attachments

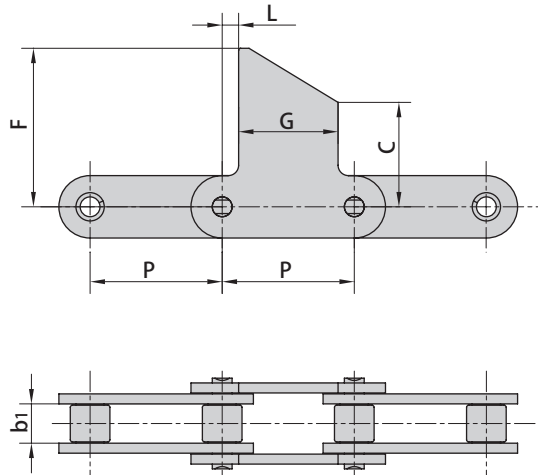


Donghua Chain No.	P	b1	G	F	W	h4	d4	d3
	mm	mm	mm	mm	mm	mm	mm	mm
C2080K1F4	50.8	15.75	38.1	40.0	56.0	30.5	8.5	-
C2080HGF1	50.8	15.75	36.0	38.0	46.0	28.4	6.0	8.1

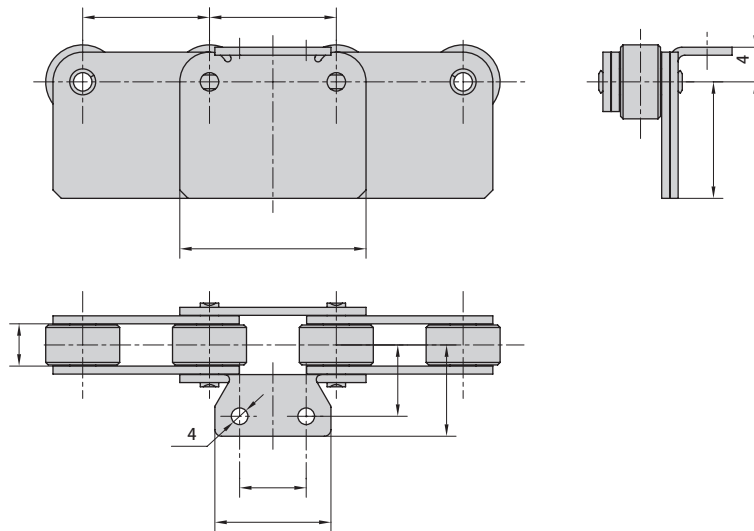


Donghua Chain No.	P	h	H	h4	G	L	d4
	mm	mm	mm	mm	mm	mm	mm
C2082HF1A2	50.8	17.7	29.7	18.0	74.8	30.0	8.5

Double Pitch Conveyor Chain Special Attachments

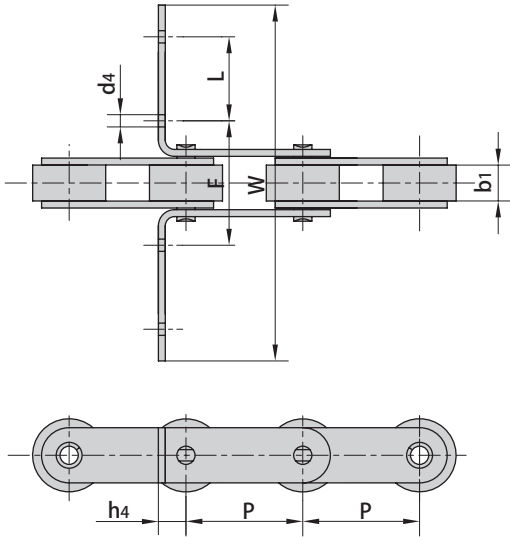


Donghua Chain No.	P	b ₁	L	G	C	F
	mm	mm	mm	mm	mm	mm
C2100HF4	63.5	18.9	7.9	47.8	50.8	76.2



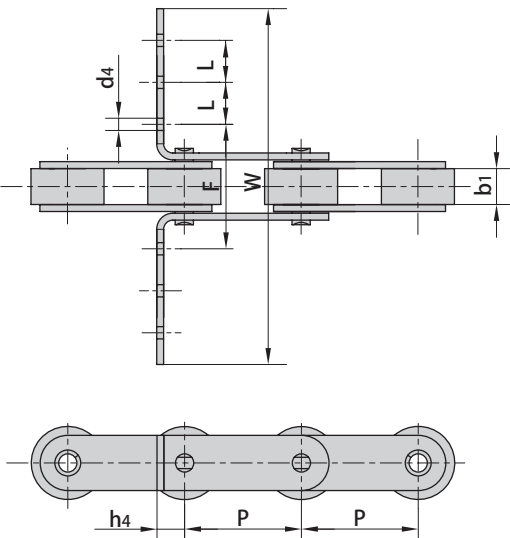
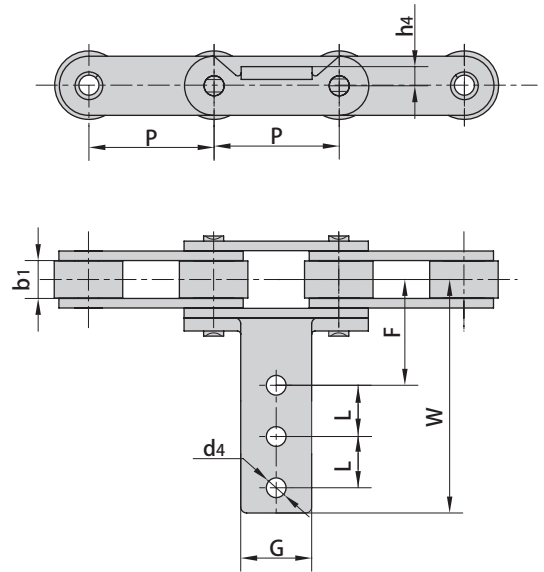
Donghua Chain No.	P	b ₁	L	G ₁	G	h ₄	d ₄	C	F	W
	mm	mm	mm	mm	mm	mm	mm	mm	mm	mm
C224ALK2F2	76.2	25.22	40.0	70.0	111.9	20.8	10.0	70.0	43.0	55.0

Double Pitch Conveyor Chain Special Attachments



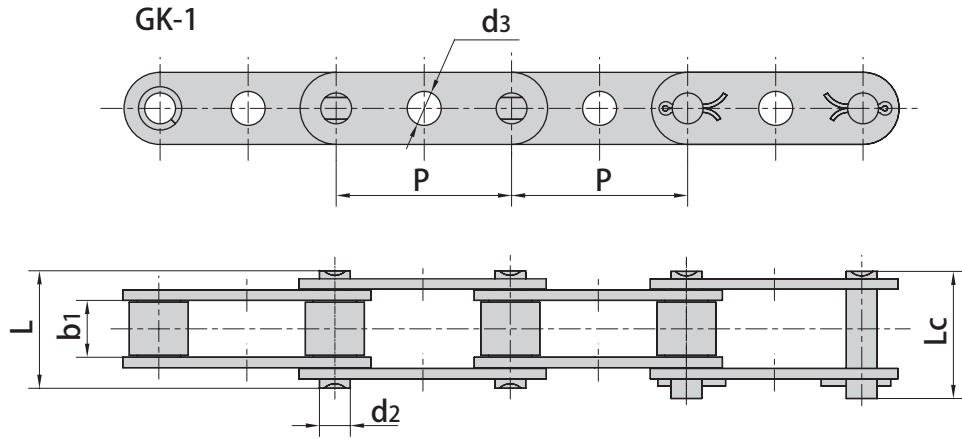
Donghua Chain No.	P	b ₁	L	F	W	h ₄	d ₄
	mm	mm	mm	mm	mm	mm	mm
C2080HF6	50.8	15.75	43.0	60.0	160.0	20.45	5.5
C2080HF11	50.8	15.75	30.0	110.0	210.0	19.00	8.2

Donghua Chain No.	P	b ₁	G	L	F	W	h ₄	d ₄
	mm	mm	mm	mm	mm	mm	mm	mm
C2082HF4	50.8	15.75	28.6	50.8	57.4	181.4	8.7	11.1



Donghua Chain No.	P	b ₁	L	F	W	h ₄	d ₄
	mm	mm	mm	mm	mm	mm	mm
C2100HF2	63.5	18.9	52.5	70.0	300.0	30.0	5.5

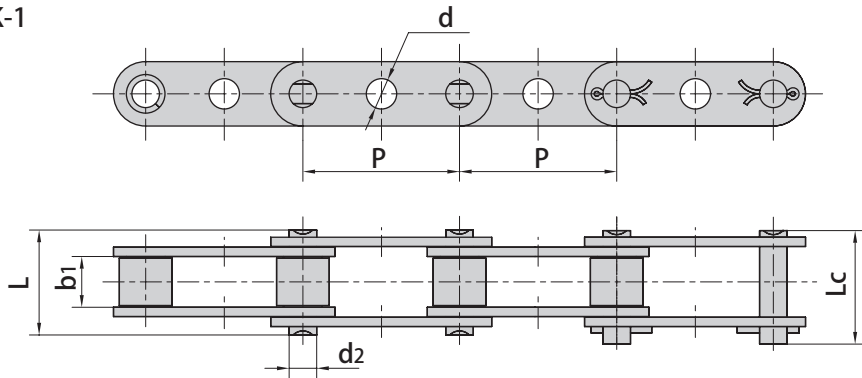
Double Pitch Conveyor Chain Special Attachments



ISO Chain No.	ANSI Chain No.	P	b ₁	d ₂	d ₃	L	L _c
		mm	mm	mm	mm	mm	mm
C208A C208AL	C2040 C2042	25.40	7.85	3.96	4.1	16.6	18.8
C210A C210AL	C2050 C2052	31.75	9.40	5.08	5.1	20.7	23.3
C212A C212AL	C2060 C2062	38.10	12.57	5.94	6.1	25.9	28.3
C212AH C212AHL	C2060H C2062H	38.10	12.57	5.94	6.1	29.2	31.6
C216A C216AL	C2080 C2082	50.80	15.75	7.92	8.1	32.7	36.5
C216AH C216AHL	C2080H C2082H	50.80	15.75	7.92	8.1	36.2	39.4
C220A C220AL	C2100 C2102	63.50	18.90	9.53	10.1	40.4	44.7
C220AH C220AHL	C2100H C2102H	63.50	18.90	9.53	10.1	43.6	46.9

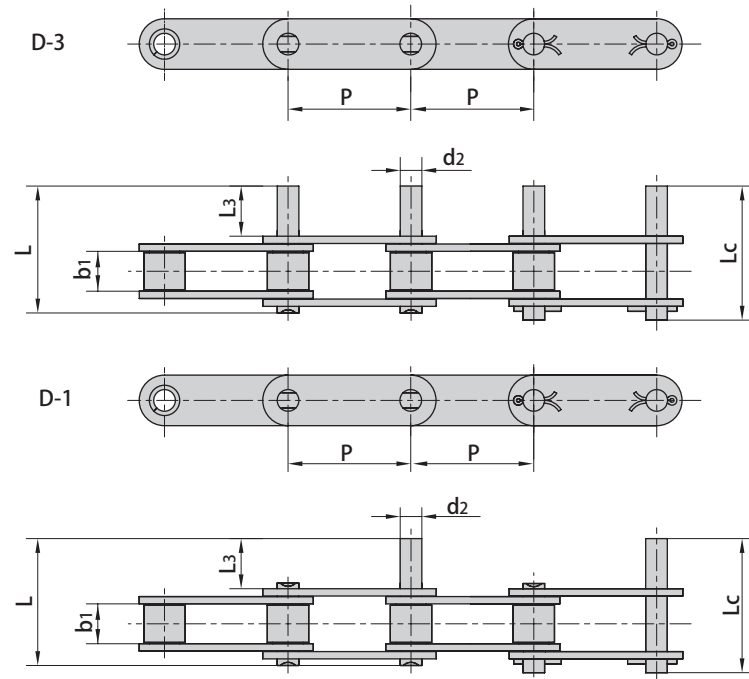
Double Pitch Conveyor Chain Special Attachments

GK-1



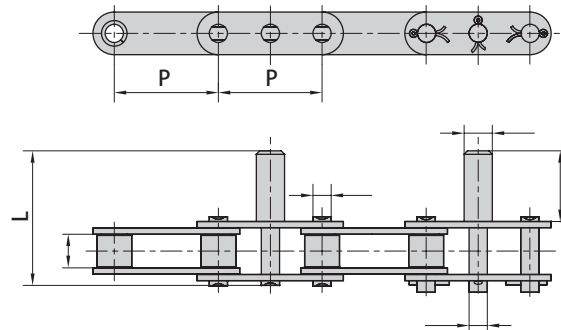
Donghua Chain No.	P	b1	d2	d3	L	Lc
	mm	mm	mm	mm	mm	mm
C2040GKF6	25.40	7.85	3.96	6.10	16.6	18.8
C2050GKF2	31.75	9.40	5.08	8.10	20.7	22.2
C2050GKF3	31.75	9.40	5.08	8.10	20.7	22.2
C2050GKF4	31.75	9.40	5.08	7.00	20.7	22.2
C2050GKF5	31.75	9.40	5.08	7.10	20.7	22.2
C2050GKF6	31.75	9.40	5.08	6.00	20.7	22.2
C2050GKF7	31.75	9.40	5.08	6.10	20.7	22.2
C2050GKF8	31.75	9.40	5.08	8.30	20.7	22.2
C2050HGK	31.75	9.40	5.08	8.20	22.1	23.4
C2050HGKF1	31.75	9.40	5.08	7.00	22.1	23.4
C2052HGKF3	31.75	9.40	5.08	6.00	22.1	23.4
C2050HGKF4	31.75	9.40	5.08	8.10	22.1	23.4
C2060GKF1	38.10	12.57	5.94	8.00	25.9	27.7
C2060GKF2	38.10	12.57	5.94	8.10	25.9	27.7
C2060GKF3	38.10	12.57	5.94	6.20	25.9	27.7
C2060GKF8	38.10	12.57	5.94	8.80	25.9	27.7
C2060HGKF3	38.10	12.57	5.94	8.20	29.2	31.6
C2060HGKF4	38.10	12.57	5.94	8.30	29.2	31.6
C2060HGKF5	38.10	12.57	5.94	6.00	29.2	31.6
C2060HGKF6	38.10	12.57	5.94	8.30	29.2	31.6
C2060HGKF7	38.10	12.57	5.94	10.00	29.2	31.6
C2060HGKF10	38.10	12.57	5.94	8.80	29.2	31.6
C2060HF9	38.10	12.57	5.94	7.95	29.2	31.6
C2060HF69GK	38.10	12.57	5.94	8.33	28.7	30.8
C2080HGKF2	50.80	15.75	7.92	7.90	36.2	39.4
C2080HGKF6	50.80	15.75	7.92	11.00	36.2	39.4
C2080HGKF12	50.80	15.75	7.92	10.97	36.2	38.9
C220AGK	63.50	18.90	9.53	8.00	40.4	44.7
C208BGKF1	25.40	7.75	4.45	6.00	16.7	18.2
C208BGKF3	25.40	7.75	4.45	4.50	17.7	20.1
C208BGKF4	25.40	7.75	4.45	6.10	16.7	18.2
C208BGKF6	25.40	7.75	4.45	6.00	16.7	19.3
C210BF2GK	31.75	7.00	5.08	5.97	16.5	-

Double Pitch Conveyor Chains with Extended Pins

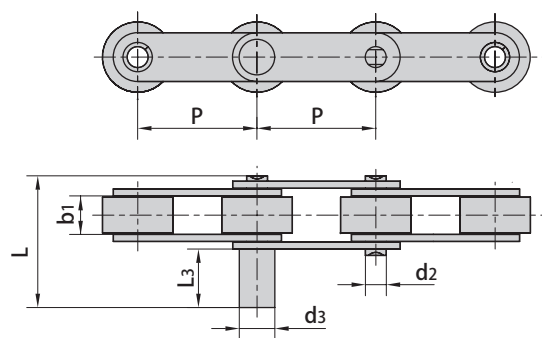


ISO Chain No.	ANSI Chain No.	P	b ₁	d ₂	L ₃	L	L _c
		mm	mm	mm	mm	mm	mm
C208A C208AL	C2040 C2042	25.40	7.85	3.96	9.5	25.1	26.2
C210A C210AL	C2050 C2052	31.75	9.40	5.08	11.9	31.3	33.1
C212A C212AL	C2060 C2062	38.10	12.57	5.94	14.3	38.6	40.6
C212AH C212AHL	C2060H C2062H	38.10	12.57	5.94	14.3	42.0	43.8
C216A C216AL	C2080 C2082	50.80	15.75	7.92	19.1	50.3	53.3
C216AH C216AHL	C2080H C2082H	50.80	15.75	7.92	19.1	53.5	55.0
C220A C220AL	C2100 C2102	63.50	18.90	9.53	23.8	61.8	66.1
C220AH C220AHL	C2100H C2102H	63.50	18.90	9.53	23.8	65.0	68.3
C224AH C224AHL	C2120H C2122H	76.20	25.22	11.10	28.6	79.6	83.6
C232AH C232AHL	C2160H C2162H	101.60	31.75	14.27	38.1	103.0	107.8

Double Pitch Conveyor Chains with Extended Pins

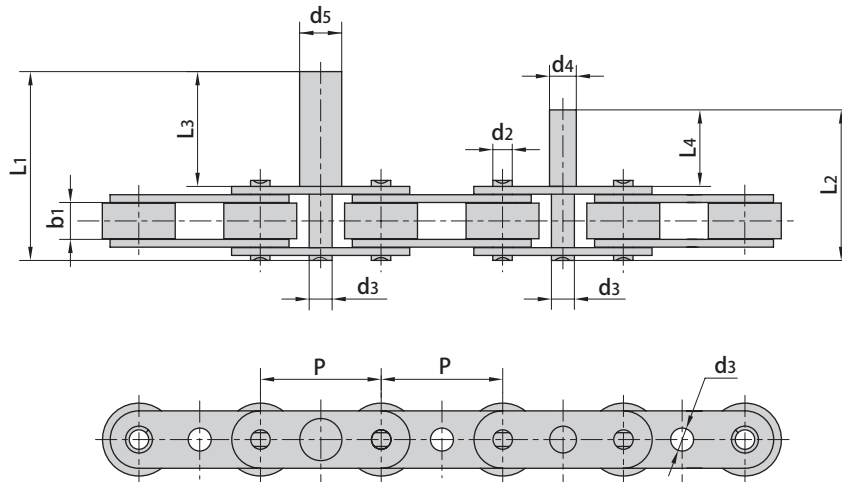


Donghua Chain No.	P	b ₁	d ₂	d ₃	d ₄	L ₃	L
	mm	mm	mm	mm	mm	mm	mm
C2052F2	31.75	9.40	5.08	6.00	7.0	20.0	39.8
C2052F14	31.75	9.40	5.08	6.00	7.0	21.0	40.4
C2062-D38	38.10	12.57	5.94	5.94	11.1	24.2	48.6
C2062-D39	38.10	12.57	5.94	5.94	13.3	32.2	56.6
C212AHL-D4	38.10	12.57	5.94	5.94	8.0	25.0	53.0
C212AHF3	38.10	12.57	5.94	8.08	10.0	35.0	63.0
C212AHF7	38.10	12.57	5.94	5.94	12.7	41.2	69.2
C212AHF8	38.10	12.57	5.94	8.00	10.0	35.0	63.0
C2060HF9	38.10	12.57	5.94	7.95	12.7	41.3	69.3
C2060HF10	38.10	12.57	5.94	7.70	14.3	41.3	69.3
C2060H-D23	38.10	12.57	5.94	8.80	12.7	41.3	69.3
C2060H-D24	38.10	12.57	5.94	7.95	12.7	44.8	65.6
C2060H-D31	38.10	12.57	5.94	7.95	16.0	45.0	73.0
C2062H-D41	38.10	12.57	5.94	9.53	9.5	22.2	50.0

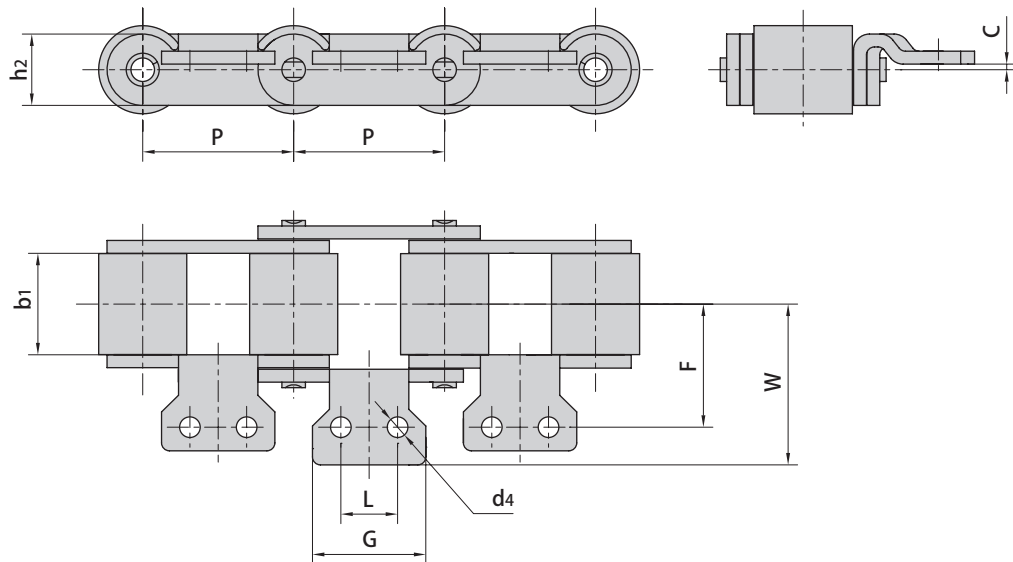


Donghua Chain No.	P	b ₁	d ₂	d ₃	L ₃	L
	mm	mm	mm	mm	mm	mm
C2052DF1	31.75	9.40	5.08	7.50	14.15	33.6
C210AF4	31.75	9.40	5.08	11.00	34.00	53.7
C2052-D4	31.75	9.40	5.08	6.00	32.40	52.0
C2050-D5	31.75	9.40	5.08	8.00	40.00	59.7
C212AHL-D4	38.10	12.57	5.94	8.00	25.00	53.0
C2062-D6	38.10	12.57	5.94	12.00	25.00	49.7

Double Pitch Conveyor Chain with Extended Pins

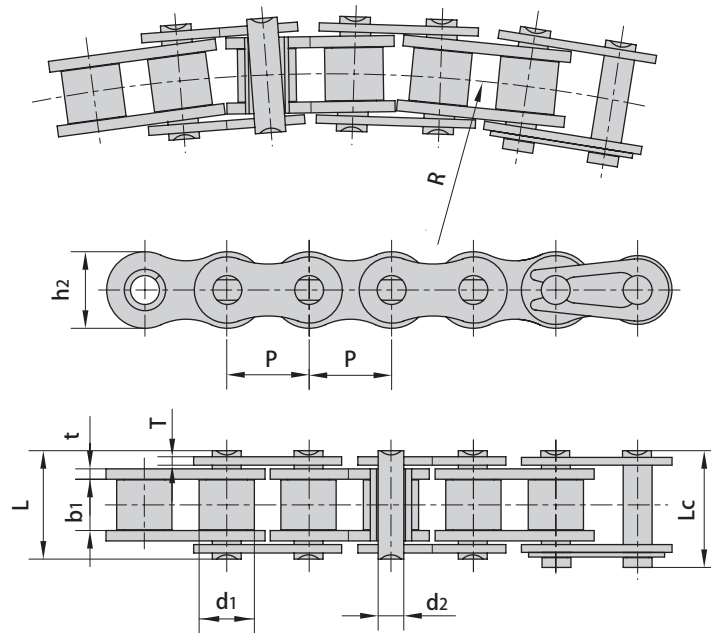


Donghua Chain No.	P	b1	d2	d3	d4	d5	L3	L1	L4	L2
	mm	mm	mm	mm	mm	mm	mm	mm	mm	mm
C2052F1	31.75	9.4	5.08	6.0	7.0	11.0	30.0	49.8	20.0	39.8



Donghua Chain No.	P	b1	h2	G	L	F	W	d4	C
	mm	mm	mm	mm	mm	mm	mm	mm	mm
C2052F11	31.75	9.4	15.0	16.0	-	26.6	34.6	6.2	0.50
C2050A6	31.75	9.4	15.0	16.0	-	23.4	32.8	5.5	0.50
C2062HF63A2F1	38.10	25.4	18.0	28.6	14.4	34.5	40.0	5.2	1.43

Side Bow Chains

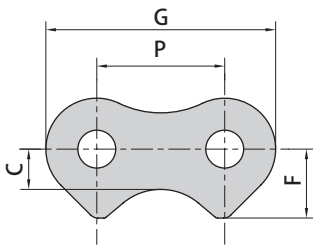
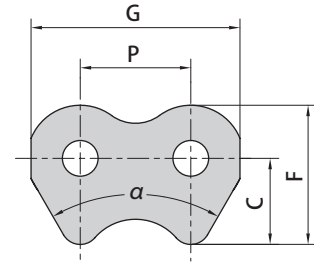


Donghua Chain No.	Pitch	Roller diameter	Width between inner plates	Pin diameter	Pin length		Inner plate depth	Plate thickness	Side bow radius	Ultimate tensile strength	Average tensile strength	Weight per meter
	P	d1 max	b1 min	d2 max	L max	Lc max	h2 max	t/T max	R	Q min	Q0	q
	mm	mm	mm	mm	mm	mm	mm	mm	mm	kN/lbf	kN	kg/m
40SB	12.700	7.95	7.85	3.96	16.9	18.1	11.7	1.50	350	13.8/3136	15.20	0.80
43SB	12.700	7.95	7.85	3.45	18.3	19.5	11.7	1.50	305	12.0/2727	13.20	0.64
50SB	15.875	10.16	9.40	4.37	20.7	22.7	14.9	2.03	400	20.6/4681	22.70	1.09
60SB	19.050	11.91	12.57	5.34	26.6	28.4	18.0	2.42	500	15.7/3568	17.30	1.54
63SB	19.050	11.91	12.68	5.08	28.8	30.6	17.2	2.42/2.03	350	12.5/2840	20.00	1.40
80SB	25.400	15.88	15.75	7.19	34.0	37.3	24.0	3.25	711	40.9/9201	42.00	2.60
#06BSBF1	9.525	6.35	5.72	3.05	13.5	15.0	8.2	1.30	300	8.0/1818	8.80	0.60
08BSB	12.700	8.51	7.75	3.97	17.4	18.7	11.8	1.60	400	14.0/3182	15.40	0.70
08BSBF1	12.700	8.51	7.75	3.97	16.3	17.6	11.8	1.6/1.2	400	12.8/2909	14.10	0.65
10BSB	15.875	10.16	9.65	4.50	20.1	21.5	14.7	1.70	400	15.6/3545	17.20	0.93
12BSB	19.050	12.07	11.68	5.12	23.1	24.8	16.0	1.85	500	20.5/4658	22.60	1.16
16BSB	25.400	15.88	17.22	7.90	36.5	39.7	21.0	3.7/3.0	500	55.6/12635	64.00	2.53
#C2050SB	31.750	10.16	9.40	5.08	21.3	22.6	15.0	2.03	800	21.8/4954	24.00	0.84
#C2060SBF1	38.100	11.91	12.57	5.08	26.8	28.8	18.0	2.42	800	21.8/4954	24.00	1.17
#C2062F6SB	38.100	22.23	12.57	5.34	26.6	29.0	23.0	2.42	1100	15.7/3568	17.30	2.27

#Straight side plates

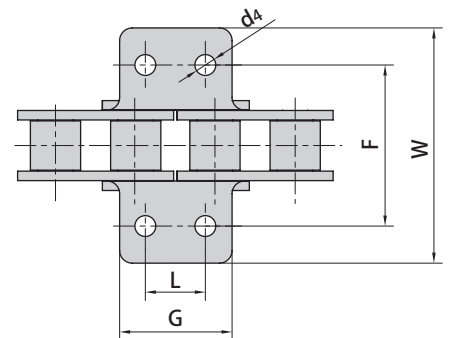
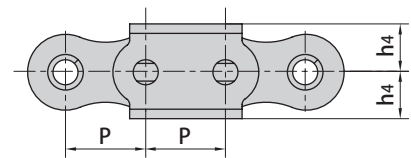
Side Bow Chain Attachments

Donghua Chain No.	P	G	C	F	α
	mm	mm	mm	mm	
08BSBF5	12.7	24.0	9.9	16.0	60°

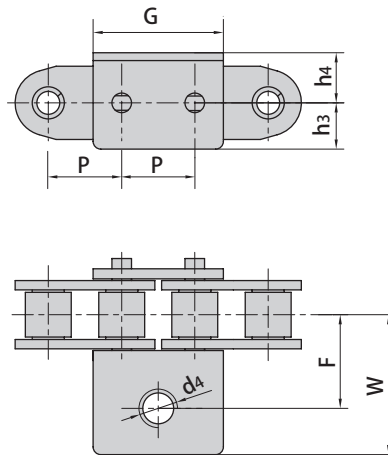


Donghua Chain No.	P	G	C	F
	mm	mm	mm	mm
43SBF14	12.700	23.1	9.5	11.40
50SBF2	15.875	28.0	5.0	8.56

Donghua Chain No.	P	G	L	F	W	h4	d4
	mm	mm	mm	mm	mm	mm	mm
40SBF1	12.7	17.8	9.5	30.2	45.5	7.5	3.3

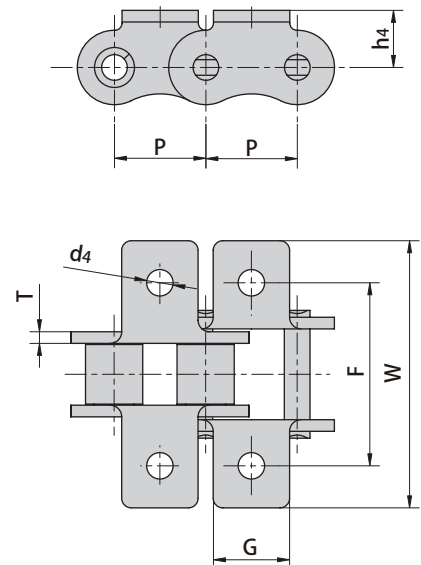


Side Bow Chain Attachments



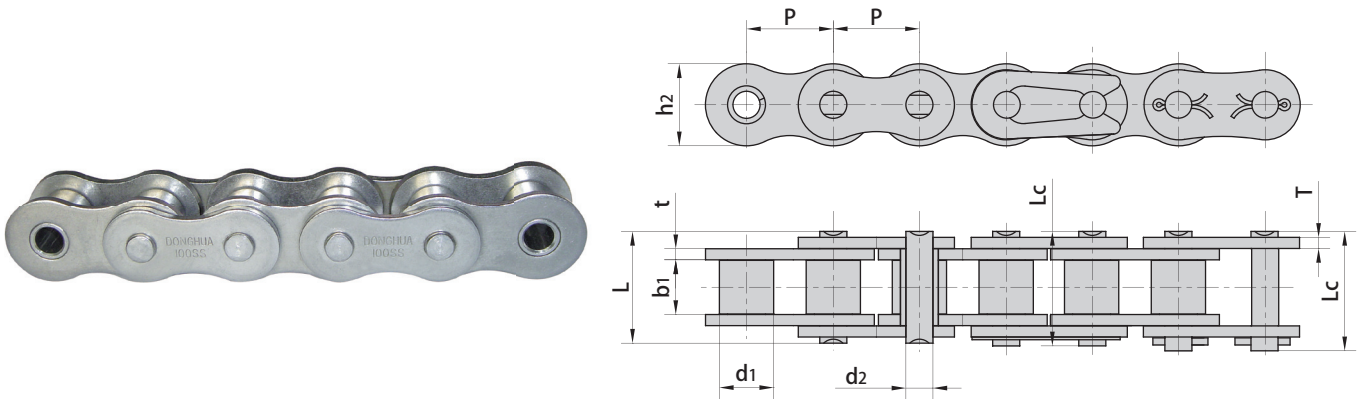
Donghua Chain No.	P	G	F	W	h3	h4	d4
	mm	mm	mm	mm	mm	mm	mm
63SBF2	19.05	33.9	24.4	36.4	12.0	13.0	M8

Donghua Chain No.	P	G	F	W	T	h4	d4
	mm	mm	mm	mm	mm	mm	mm
43SBA1F1	12.700	9.50	25.40	35.2	1.50	7.9	3.4
40SBA1F3	12.700	9.50	38.00	50.0	1.50	8.0	4.2
40SBA1F4	12.700	18.10	27.40	39.4	1.50	8.0	4.2
50SBA1	15.875	12.70	31.75	46.2	2.03	10.3	5.5
10BA1F3SB	15.875	13.00	32.40	51.2	1.70	10.5	6.0
10BA1F5SB	15.875	14.29	31.80	46.2	1.70	10.3	6.0
60SBK1	19.050	15.90	38.10	56.3	2.42	11.9	5.5
C2050SBK0F1.02	31.750	12.70	-	43.6	2.03	7.4	-
C2050SBK0F2	31.750	15.00	-	35.0	2.03	7.4	-
C2050SBK1	31.750	23.80	31.80	44.6	2.03	11.1	5.5



Stainless Steel Roller Chains

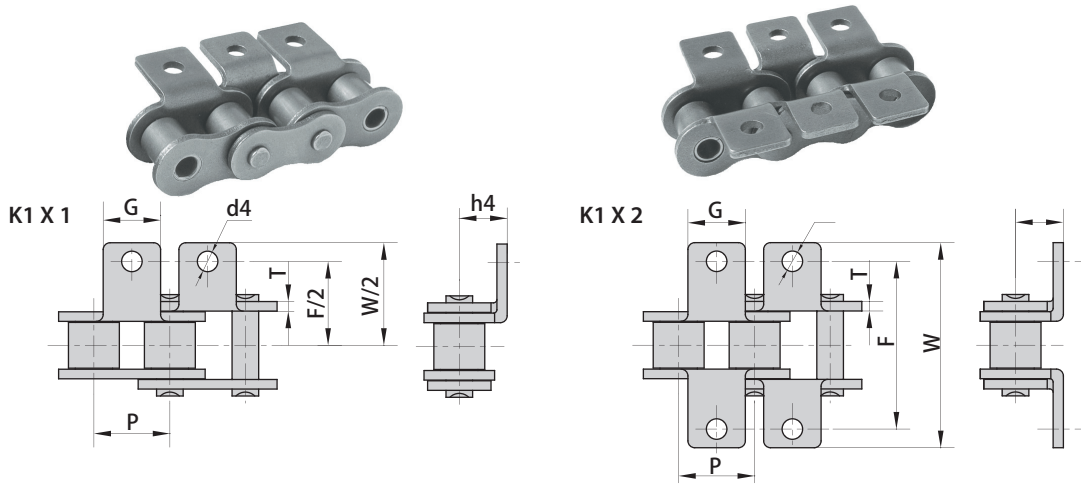
Stainless steel chains are suitable for corrosive conditions involving food, chemicals, pharmaceuticals, etc. and also suitable for high and low temperature conditions.



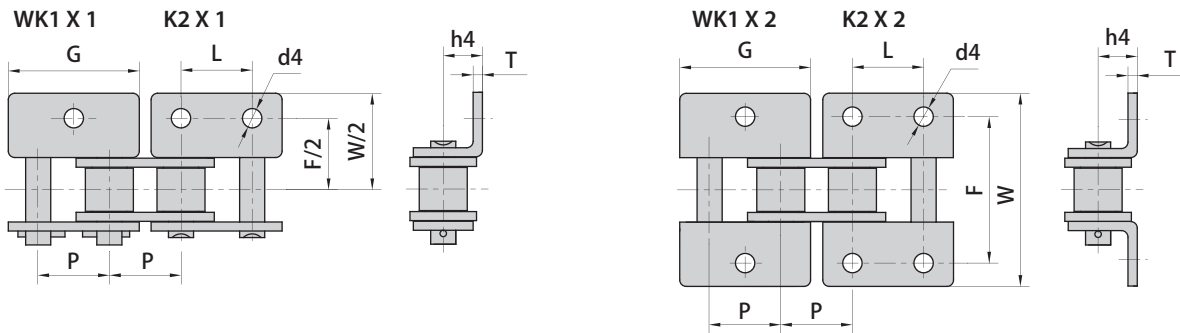
Donghua Chain No.	Pitch	Roller diameter	Width between inner plates	Pin diameter	Pin length		Inner plate depth	Plate thickness	Breaking load	Weight per meter
	P	d1 max	b1 min	d2 max	L max	Lc max	h2 max	t/T max	Q	q
	mm	mm	mm	mm	mm	mm	mm	mm	kN/lbf	kg/m
*04CSS	6.350	3.30	3.18	2.31	7.90	8.40	6.00	0.80	2.5/568	0.15
*06CSS	9.525	5.08	4.77	3.58	12.40	13.17	9.00	1.30	5.5/1250	0.33
08ASS	12.700	7.95	7.85	3.96	16.60	17.80	12.00	1.50	9.6/2182	0.63
41SS	12.700	7.77	6.25	3.58	13.75	15.00	9.91	1.30	6.0/1360	0.46
10ASS	15.875	10.16	9.40	5.08	20.70	22.20	15.09	2.03	15.2/3455	1.03
12ASS	19.050	11.91	12.57	5.94	25.90	27.70	18.00	2.42	21.7/4932	1.51
16ASS	25.400	15.88	15.75	7.92	32.70	35.00	24.00	3.25	38.9/8841	2.62
20ASS	31.750	19.05	18.90	9.53	40.40	44.70	30.00	4.00	60.0/13636	3.94
24ASS	38.100	22.23	25.22	11.10	50.30	54.30	35.70	4.80	72.5/16477	5.72
28ASS	44.450	25.40	25.22	12.70	54.40	59.00	41.0	5.60	94.0/21363	7.70
04BSS	6.000	4.00	2.80	1.85	6.80	7.80	5.00	0.60	2.0/455	0.11
05BSS	8.000	5.00	3.00	2.31	8.20	8.90	7.10	0.80	3.5/795	0.20
#06BSS	9.525	6.35	5.72	3.28	13.15	14.10	8.20	1.30	6.2/1409	0.41
08BSS	12.700	8.51	7.75	4.45	16.70	18.20	11.80	1.60	12.0/2727	0.70
10BSS	15.875	10.16	9.65	5.08	19.50	20.90	14.70	1.70	14.5/3295	0.94
12BSS	19.050	12.07	11.68	5.72	22.50	24.20	16.00	1.85	18.5/4205	1.16
16BSS	25.400	15.88	17.02	8.28	36.10	37.40	21.00	4.15/3.1	40.0/9091	2.73
20BSS	31.750	19.05	19.56	10.19	41.30	45.00	26.40	4.5/3.5	59.0/13409	3.73
24BSS	38.100	25.40	25.40	14.63	53.40	57.80	33.20	6.0/4.8	104.0/25454	7.20
32BSS	50.800	29.21	30.99	17.81	66.00	71.00	42.00	7.0/6.0	150.0/34090	10.22

*Bush chain: d1 in the table indicates the external diameter of the bush
 #Straight side plates

Stainless Steel Short Pitch Conveyor Chain Attachments



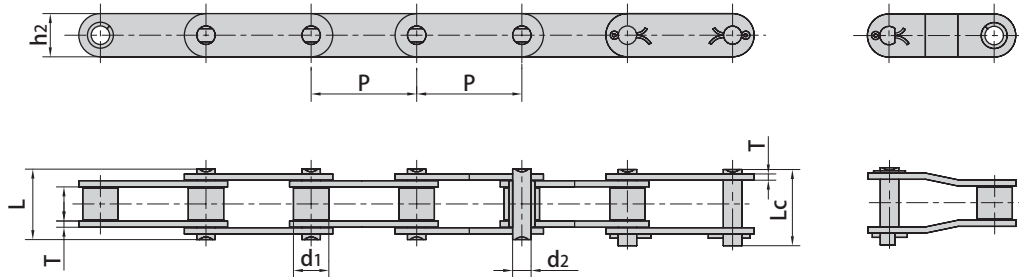
Donghua Chain No.	P	G	F	W	T	h4	d4
	mm	mm	mm	mm	mm	mm	mm
08ASS	12.700	9.5	25.40	35.2	1.50	7.90	3.4
10ASS	15.875	12.7	31.75	46.2	2.03	10.30	5.5
12ASS	19.050	15.9	38.10	55.6	2.42	11.90	5.5
16ASS	25.400	19.1	50.80	64.8	3.25	15.90	6.8
20ASS	31.750	25.4	63.50	89.8	4.00	19.80	9.2
08BSS	12.700	9.5	25.40	36.4	1.60	8.90	4.5
10BSS	15.875	14.3	31.75	44.6	1.70	10.31	5.3
12BSS	19.050	16.0	38.10	52.4	1.85	13.46	6.4
16BSS	25.400	19.1	50.80	72.6	3.10	15.88	6.4
20BSS	31.750	35.0	63.50	100.5	3.50	19.80	9.0



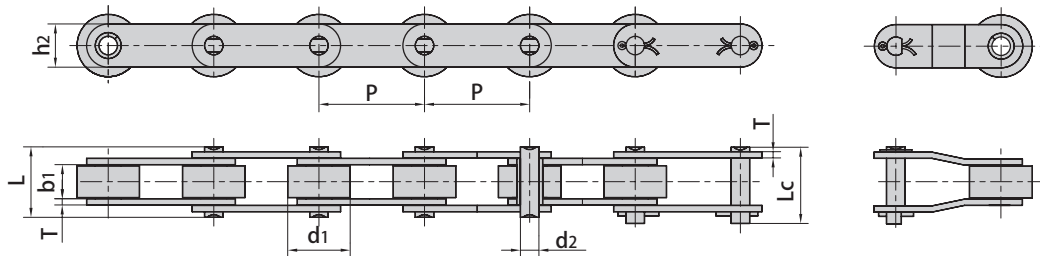
Donghua Chain No.	P	G	L	F	W	T	h4	d4
	mm	mm	mm	mm	mm	mm	mm	mm
08ASS	12.700	23.00	12.700	25.4	35.60	1.50	7.90	3.4
10ASS	15.875	28.80	15.875	31.8	46.80	2.03	10.30	5.5
12ASS	19.050	34.65	19.050	38.1	56.40	2.42	11.90	5.5
16ASS	25.400	45.90	25.400	50.8	73.20	3.25	15.90	6.8
20ASS	31.750	57.65	31.750	63.5	89.80	4.00	19.80	9.2
08BSS	12.700	24.00	12.700	25.4	36.40	1.60	8.90	4.3
10BSS	15.875	29.58	15.875	31.8	44.60	1.70	10.31	5.3
12BSS	19.050	34.05	19.050	38.1	52.40	1.85	13.46	6.4
16BSS	25.400	46.40	25.400	50.8	72.60	3.10	15.88	6.4
20BSS	31.750	58.10	31.750	63.0	100.50	3.50	19.80	9.0

Stainless Steel Double Pitch Conveyor Chains

Small roller type



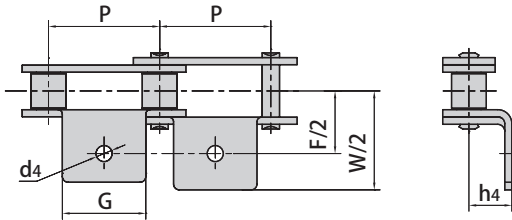
Large roller type



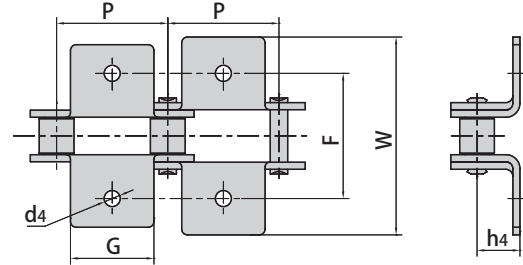
Donghua Chain No.	Pitch	Roller diameter	Width between inner plates	Pin diameter	Pin length		Inner plate depth	Plate thickness	Breaking load	Weight per meter
	P	d1 max	b1 min	d2 max	L max	Lc max	h2 max	T max	Q min	q
	mm	mm	mm	mm	mm	mm	mm	mm	kN/lbf	kg/m
C2040SS C2042SS	25.40	7.95 15.88	7.85	3.96	16.6	17.8	12.0	1.50	9.6/2182	0.51 0.85
C2040HSS	25.40	7.95	7.85	3.96	18.8	19.9	12.0	2.03	9.6/2182	0.66
C208BSS C208BLSS	25.40	8.51 15.88	7.75	4.45	16.7	18.2	11.8	1.60	12.0/2727	0.56 0.90
C2050SS C2052SS	31.75	10.16 19.05	9.40	5.08	20.7	22.2	15.0	2.03	15.2/3455	0.79 1.29
C2060SS C2062SS	38.10	11.91 22.23	12.57	5.94	25.9	27.7	18.0	2.42	21.7/4932	1.13 1.63
C2060HSS C2062HSS	38.10	11.91 22.23	12.57	5.94	29.2	31.6	18.0	3.25	21.7/4932	1.46 2.10
C2080SS C2082SS	50.80	15.88 28.58	15.75	7.92	32.7	36.5	24.0	3.25	38.9/8841	2.11 3.16
C2080HSS C2082HSS	50.80	15.88 28.58	15.75	7.92	36.2	39.4	24.0	4.00	38.9/8841	2.57 3.63
C2100SS C2102SS	63.50	19.05 39.67	18.90	9.53	40.4	44.7	30.0	4.00	60.0/13636	3.05 4.89
C2100HSS C2102HSS	63.50	19.05 39.67	18.90	9.53	43.6	46.9	30.0	4.80	60.0/13636	3.61 5.45

Stainless Steel Double Pitch Conveyor Chain Attachments

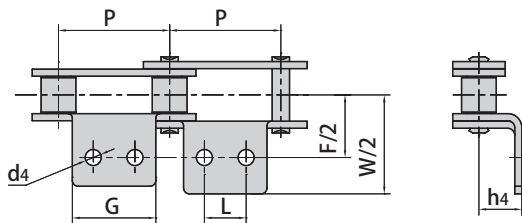
K1 X 1



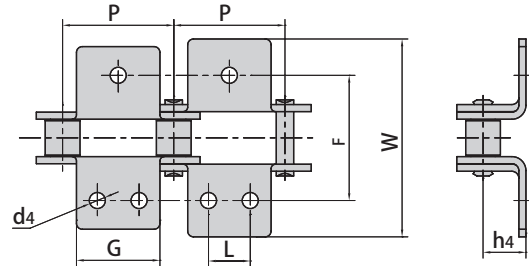
K1 X 2



K2 X 1

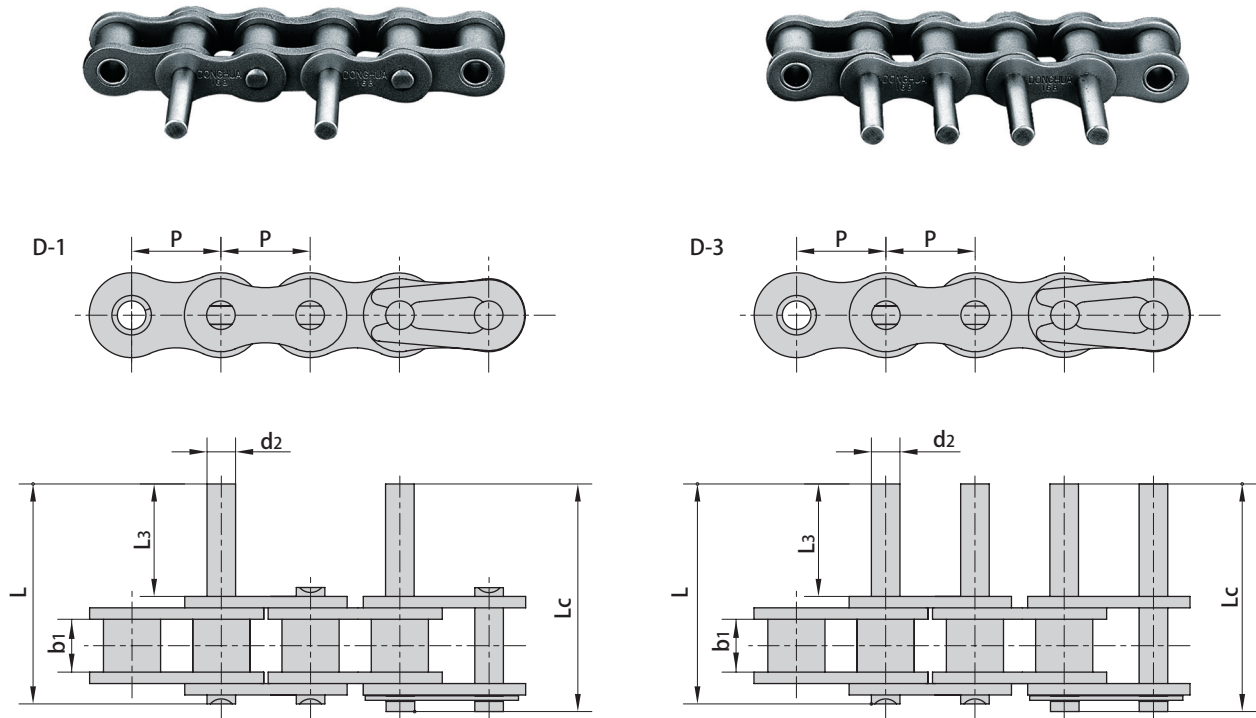


K2 X 2



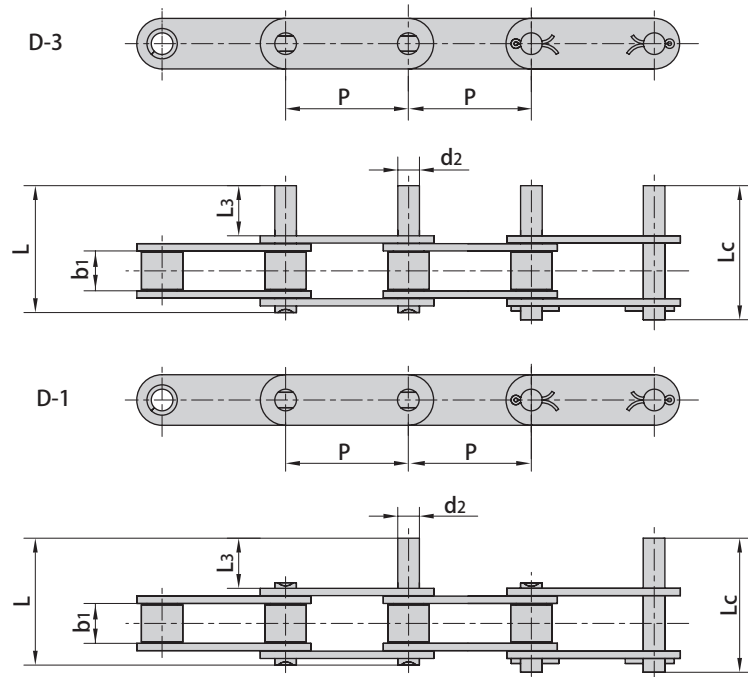
Donghua Chain No.	P	G	L	F	W	h ₄	d ₄
	mm	mm	mm	mm	mm	mm	mm
C2040SS C2042SS	25.40	19.1	9.5	25.4	39.6	9.1	3.4
C208BSS C208BLSS	25.40	23.2	12.7	25.4	39.6	9.1	4.5
C2050SS C2052SS	31.75	23.8	11.9	31.8	49.0	11.1	5.5
C2060SS C2062SS	38.10	28.6	14.3	42.9	67.8	14.7	5.5
C2060HSS C2062HSS	38.10	28.6	14.3	42.9	67.8	14.7	5.5
C2080SS C2082SS	50.80	38.1	19.1	55.6	87.8	19.1	6.8
C2080HSS C2082HSS	50.80	38.1	19.1	55.6	87.8	19.1	6.8
C2100SS C2102SS	63.50	47.6	23.8	66.6	107.5	23.4	9.2
C2100HSS C2102HSS	63.50	47.6	23.8	66.6	107.5	23.4	9.2

Stainless Steel Short Pitch Conveyor Chains with Extended Pins



Donghua Chain No.	P	b ₁	d ₂	L ₃	L	L _c
	mm	mm	mm	mm	mm	mm
06CSS	9.525	4.77	3.58	9.5	20.8	21.6
08ASS	12.700	7.85	3.96	9.5	25.1	26.2
10ASS	15.875	9.40	5.08	11.9	31.3	33.1
12ASS	19.050	12.57	5.94	14.3	38.6	40.6
16ASS	25.400	15.75	7.92	19.1	50.3	53.3
20ASS	31.750	18.90	9.53	23.8	61.8	66.1
24ASS	38.100	25.22	11.10	28.6	76.4	80.4
28ASS	44.450	25.22	12.70	33.3	84.8	89.4
32ASS	50.800	31.55	14.27	38.1	99.6	104.4
08BSS	12.700	7.75	4.45	9.5	25.1	26.6
10BSS	15.875	9.65	5.08	11.9	30.1	31.5
12BSS	19.050	11.68	5.72	14.3	35.4	37.1
16BSS	25.400	17.02	8.28	19.1	53.0	54.3
20BSS	31.750	19.56	10.19	41.0	79.9	83.6
24BSS	38.100	25.40	14.63	50.7	101.4	105.8
28BSS	44.450	30.99	15.90	61.9	124.0	128.4
32BSS	50.800	30.99	17.81	64.8	126.8	131.8

Stainless Steel Double Pitch Conveyor Chains with Extended Pins



Donghua Chain No.	P	b1	d2	L3	L	Lc
	mm	mm	mm	mm	mm	mm
C2040SS C2042SS	25.40	7.85	3.96	9.5	25.1	26.2
C2050SS C2052SS	31.75	9.40	5.08	11.9	31.3	33.1
C2060SS C2062SS	38.10	12.57	5.94	14.3	38.6	40.6
C2060HSS C2062HSS	38.10	12.57	5.94	14.3	42.0	43.8
C2080SS C2082SS	50.80	15.75	7.92	19.1	50.3	53.3
C2080HSS C2082HSS	50.80	15.75	7.92	19.1	53.5	55.0
C2100SS C2102SS	63.50	18.90	9.53	23.8	61.8	66.1
C2100HSS C2102HSS	63.50	18.90	9.53	23.8	65.0	68.3
C2120HSS C2122HSS	76.20	25.22	11.10	28.6	79.6	83.6
C2160HSS C2162HSS	101.60	31.75	14.27	38.1	103.0	107.8



Donghua International BV
Toermalijnstraat 6B
1812 RL Alkmaar, The Netherlands
Phone: +31 72 8200 120
Fax: +31 72 540 1996
info@donghua.eu
www.donghua.eu

