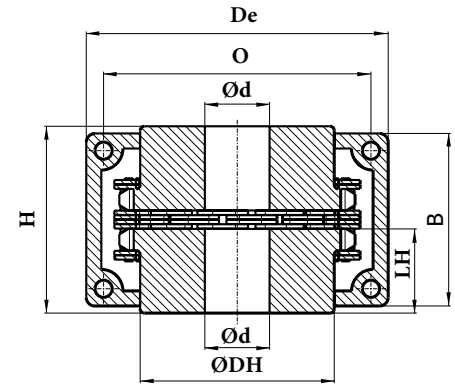
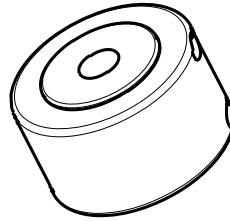




- Suitable to connect two shafts in axis
- With hardened sprockets
- Provided with full cover, seals and O-ring for the protection from external contamination and also for an eventual lubrication of the coupling with grease.



TYPE	PART NUMBER	CHAIN PITCH	De	B	H	LH	DH	O	d Min	d Max	Nm	Weight Kg.
KC 3012	KC3012	35-2	70	62	65	28	25	57	12	15	150	0,50
KC 4012	KC4012	40-2	78	72	78	36	31	61	12	20	210	1,00
KC 4014	KC4014	40-2	85	75	80	36	43	72	12	25	300	1,40
KC 4016	KC4016	40-2	92	75	80	36	50	77	14	30	380	1,80
KC 5014	KC5014	50-2	101	84	100	45	53	82	14	35	550	2,50
KC 5016	KC5016	50-2	111	85	100	45	60	92	16	40	725	3,20
KC 5018	KC5018	50-2	123	85	100	45	70	106	16	45	925	4,00
KC 6018	KC6018	60-2	144	106	122	54	85	122	20	55	1750	7,20
KC 6020	KC6020	60-2	160	108	123	54	98	132	20	70	2050	9,50
KC 6022	KC6022	60-2	168	116	123	54	110	145	25	75	2400	11,3
KC 8018	KC8018	80-2	190	128	140	67	110	160	30	75	3800	14,7
KC 8020	KC8020	80-2	211	138	144	67	120	184	30	85	4700	18,2
KC 8022	KC8022	80-2	226	138	155	67	140	196	35	95	5500	23,3
KC 10020	KC10020	100-2	280	152	176	80	160	250	40	110	8700	36,0
KC 12018	KC12018	120-2	305	180	196	90	170	280	40	120	13250	49,0
KC 12022	KC12022	120-2	355	180	220	100	210	335	40	150	17800	77,0

