

SNAP-TRICK®

The click connection trick

Aluminium profile systems are often used in conveying, production, and assembly machines. It takes a lot of effort to achieve a reliable connection with chain and belt guides. However, SNAP-TRICK® makes this easy.

The "profile with the click" consists of a variable connection element that is made of Material Murytal® C Natural. This enables the combination of Murtfeldt chain and belt guide profiles with any aluminium profile system. SNAP TRICK® is suitable for use with the system profiles of practically all well-known manufacturers.

Materials

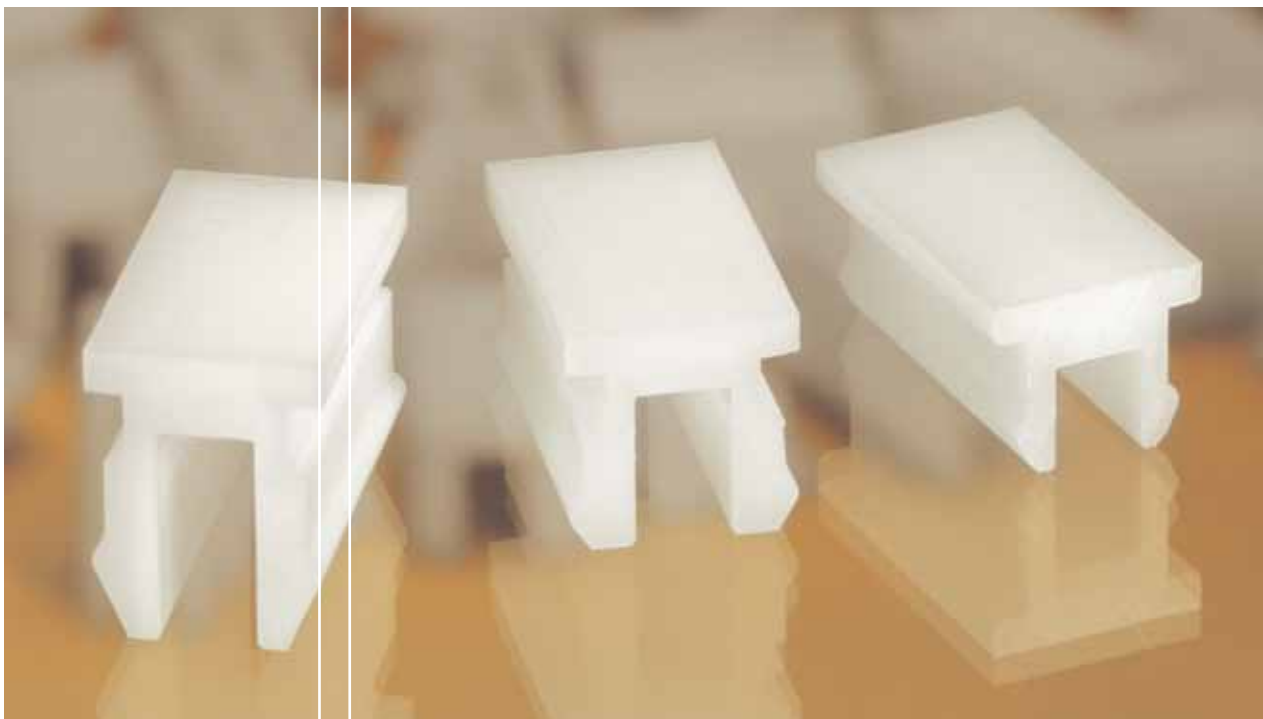
- Original Material "S"® Black Antistatic
- We can deliver other slide materials on request

Lengths

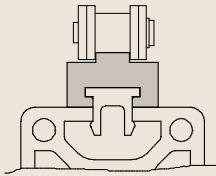
- Usually delivered in 2 m lengths
- If required, we can cut shorter parts from our standard lengths or manufacture longer one-piece guides
- 5 SNAPs are supplied for every metre of profile length

The advantages of SNAP-TRICK® profiles

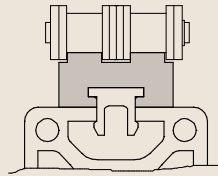
- Click connection provides quick assembly
- No tool required
- Profiles can be replaced by clicking the click connection – there is no need to pull profiles along the entire groove length
- Special SNAP variants enable attachment to flat surfaces without a groove
- The advantages of our standard range can be used without limitation



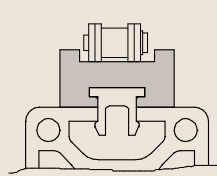
TYPE OVERVIEW SELECTION



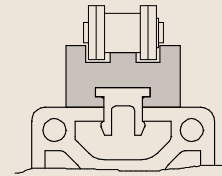
Type T



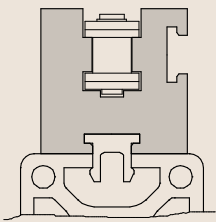
Type TD



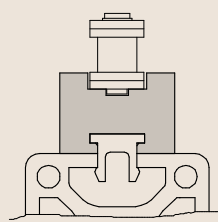
Type TU



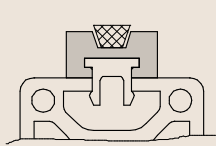
Type TS



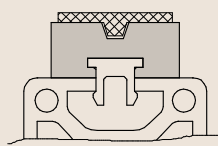
Type U



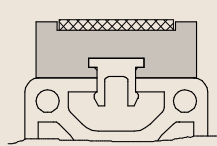
Type K



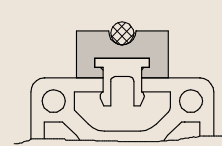
Type KR



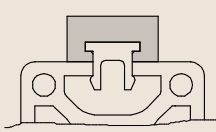
Type FK



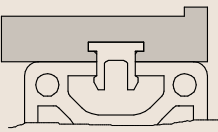
Type FR



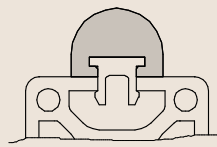
Type RR



Type F



Type L



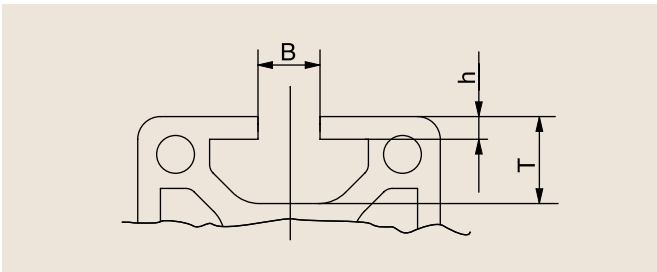
Type HR 1520

SNAPS FOR ALL SCENARIOS

Overview of manufacturer compatibility

Choose from a wide range of different variants. Please state the appropriate article number when making inquiries. You receive 5 SNAPS free-of-charge for each metre of profile length. Even if your system profile supplier is not listed here, SNAPS can be used as long as their B, T, and h dimensions match your groove dimensions. The article numbers for separate SNAP orders are below.

If you cannot find a suitable SNAP in our range, simply send us the dimensions of your profile as a CAD drawing, stating the profile manufacturer, (see sketch). We are also happy to check that you have selected the correct SNAP on the basis of a sample provided by you.

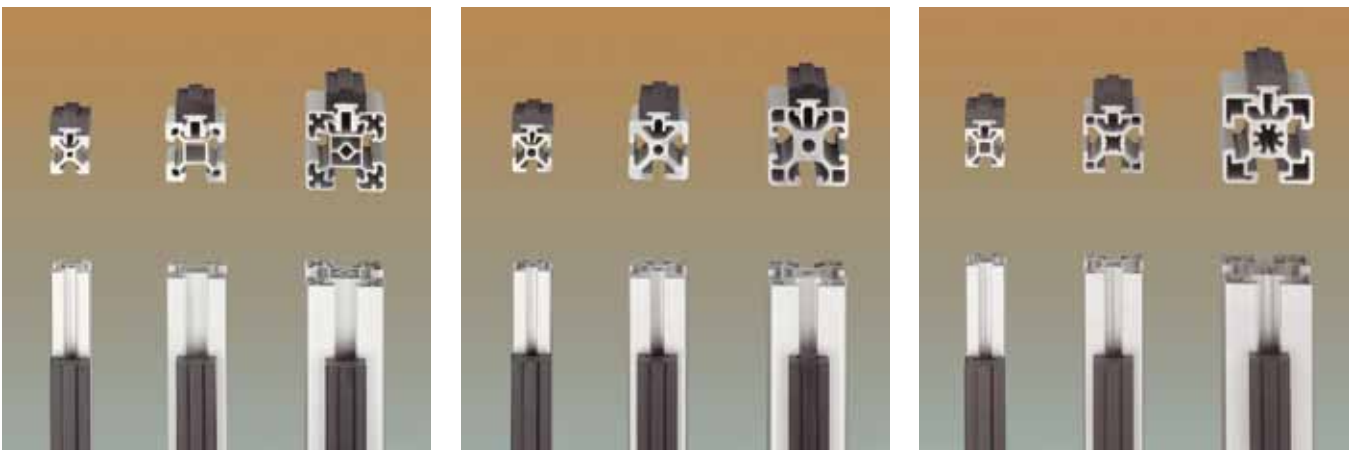


Example order

- Item 1 221 511 005 2 meter chain guides (2000 mm) for chain 08 B-1 incl. SNAP S5 (221 530 105)
- Item 2 221 530 105 1 bag of 50 SNAP S5 (additional)

SNAP	Quantity	Profile systems (examples)	Groove width B	Min. groove depth T	Side thickness (h)	Article no.
S1	50 pcs	ITEM, Paletti	5.0	6.0	1.8	221 530 104
S2	50 pcs	ITEM, Paletti	6.2	6.0	3.0	221 530 102
S3	50 pcs	ITEM, MiniTec (F), Paletti	8.0	11.0	4.5	221 530 103
S4	50 pcs	Bosch, MayTec, R+K	6.2	5.0	2.0	221 530 104
S5	50 pcs	Bauer, Bosch, MayTec	8.0	6.0	2.2	221 530 105
S6	50 pcs	R+K	10.2	8.0	4.5	221 530 106
S7	50 pcs	Bauer, Bosch	10.0	11.0	6.0	221 530 107
S8	50 pcs	R+K	10.2	10.0	7.0	221 530 108
S9	50 pcs	Paletti, MiniTec	8.2	6.0	2.5	221 530 109
S10	50 pcs	MK	6.2	6.5	2.0	221 530 110
S11	50 pcs	MK	10.3	12.0	3 (4)	221 530 111
S12	50 pcs	MayTec	8.2	12.5	4.0	221 530 112
S13	50 pcs	MayTec	8.2	11.5	3.0	221 530 113
S14	50 pcs	Schüco	8.5	11.2	4.0	221 530 114

NEW



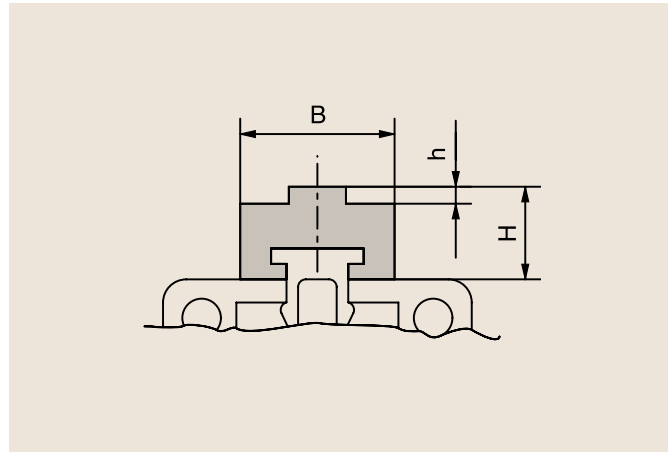
Chain guides for roller chains as per DIN 8187

TYPE T



Chain no. DIN 8187	Chain dimensions in inches	B	H	h	Article no.	Availability
08B-1	$\frac{1}{2}'' \times \frac{5}{16}''$	20	12	2.2	221 511 005	●
10B-1	$\frac{5}{8}'' \times \frac{3}{8}''$	20	12	2.6	221 511 010	●
12B-1	$\frac{3}{4}'' \times \frac{7}{16}''$	20	12	2.4	221 511 014	●

● Stocked ○ Available within 10 days Dimensions in mm

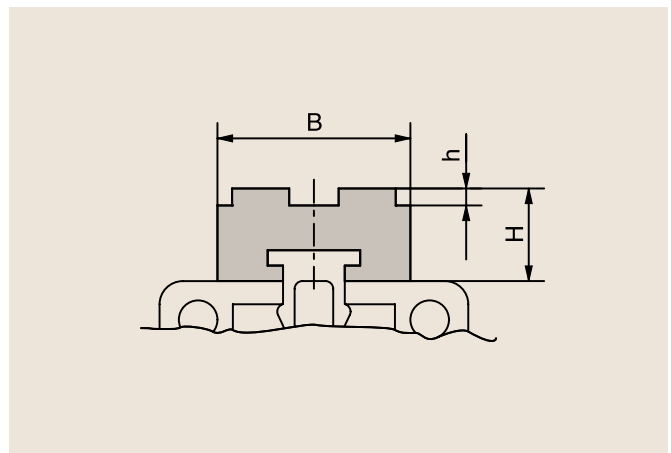


TYPE T-DUPLEX



Chain no. DIN 8187	Chain dimensions in inches	B	H	h	Article no.	Availability
08B-2	$\frac{1}{2}'' \times \frac{5}{16}''$	25	12	2.2	221 512 026	●
10B-2	$\frac{5}{8}'' \times \frac{3}{8}''$	25	12	2.6	221 512 030	●
12B-2	$\frac{3}{4}'' \times \frac{7}{16}''$	30	12	2.4	221 512 031	●

● Stocked ○ Available within 10 days Dimensions in mm

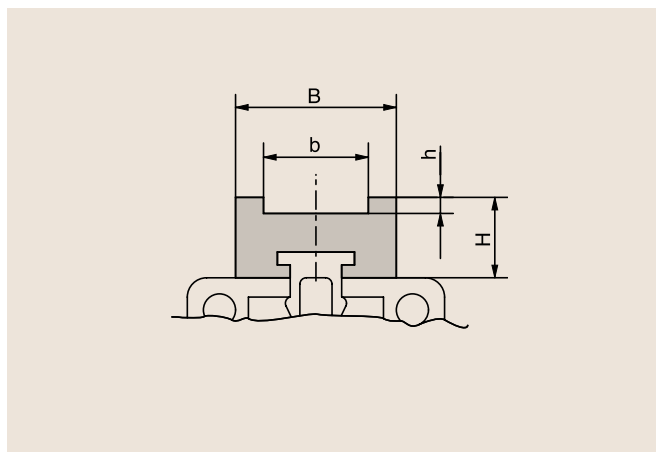


TYPE TU



Chain no. DIN 8187	Chain dimensions in inches	B	b	H	h	Article no.	Availability
08B-1	$\frac{1}{2}'' \times \frac{5}{16}''$	25	16.3	12.5	2.5	221 514 011	●
10B-1	$\frac{5}{8}'' \times \frac{3}{8}''$	25	19.2	12.5	2.9	221 514 012	●
12B-1	$\frac{3}{4}'' \times \frac{7}{16}''$	30	21.8	12.5	2.7	221 514 013	●

● Stocked ○ Available within 10 days Dimensions in mm

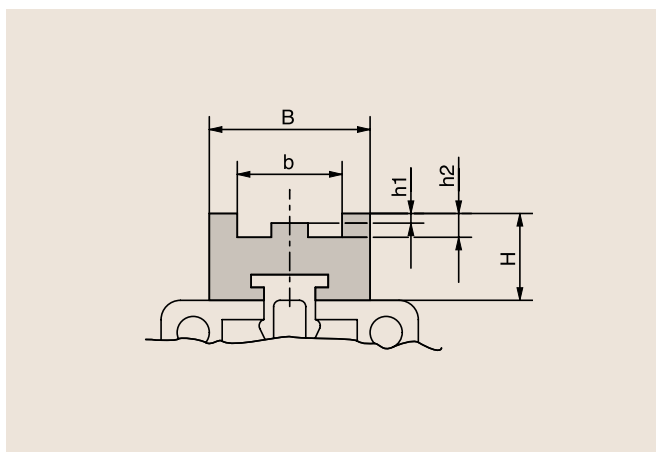


TYPE TS



Chain no. DIN 8187	Chain dimensions in inches	B	b	H	h1	h2	Article no.	Availability
08B-1	$\frac{1}{2}'' \times \frac{5}{16}''$	25	16.3	13.5	1.5	3.7	221 515 004	●
10B-1	$\frac{5}{8}'' \times \frac{3}{8}''$	30	19.2	14.0	2.0	4.6	221 515 006	●
12B-1	$\frac{3}{4}'' \times \frac{7}{16}''$	30	21.8	14.5	2.5	4.9	221 515 007	●

● Stocked ○ Available within 10 days Dimensions in mm

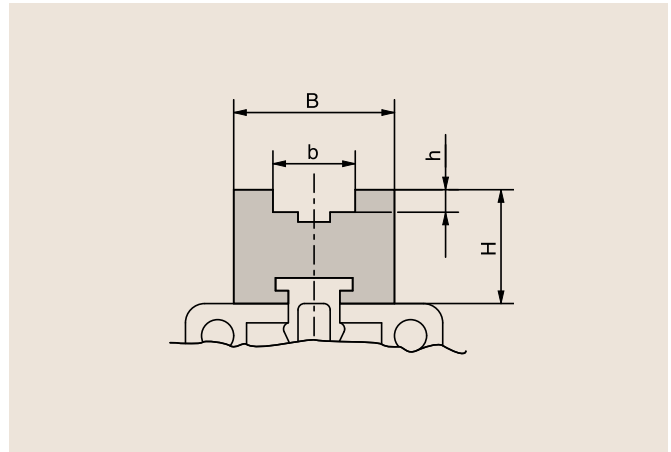


TYPE U



Chain no. DIN 8187	Chain dimensions in inches	B	b	H	h	Article no.	Availability
08B-1	$\frac{1}{2}'' \times \frac{5}{16}''$	25	12.8	17.7	3.5	221 516 017	●
10B-1	$\frac{5}{8}'' \times \frac{3}{8}''$	25	15.4	17.4	4.2	221 516 019	●
12B-1	$\frac{3}{4}'' \times \frac{7}{16}''$	25	17.0	16.4	4.6	221 516 020	●

● Stocked ○ Available within 10 days Dimensions in mm

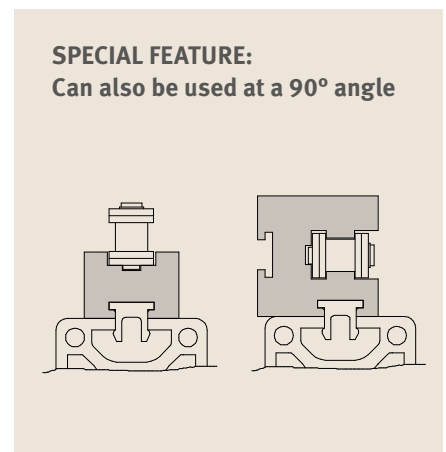
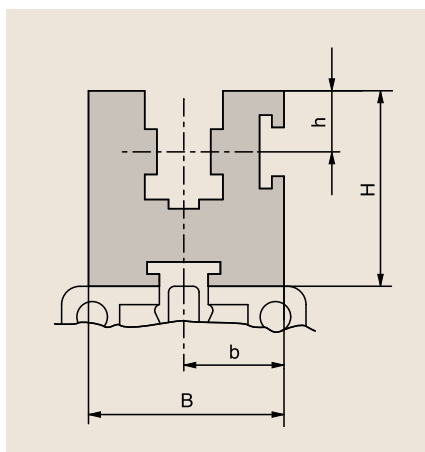


TYPE K



Chain no. DIN 8187	Chain dimensions in inches	B	b	H	h	Article no.	Availability
08B-1	$\frac{1}{2}'' \times \frac{5}{16}''$	32	16.4	32	10	221 517 031	●
10B-1	$\frac{5}{8}'' \times \frac{3}{8}''$	32	17.3	32	10	221 517 033	●
12B-1	$\frac{3}{4}'' \times \frac{7}{16}''$	32	18.3	32	10	221 517 034	●

● Stocked ○ Available within 10 days Dimensions in mm



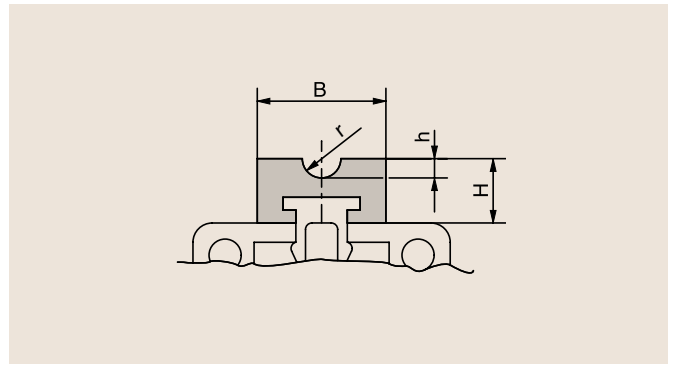
Guides for round belts

TYPE RR



Belt type Ø	B	H	h	r	Article no.	Availability
5.0	20	10	3	3	231 510 027	●
6.3	20	10	4	4	231 510 028	●
8.0	20	12	5	5	231 510 029	●
9.5	25	15	6	6	231 510 030	●
12.5	28	20	8	7	231 510 031	●
15.0	33	25	10	9	231 510 032	●
18.0	38	25	12	10	231 510 033	●

● Stocked ○ Available within 10 days Dimensions in mm



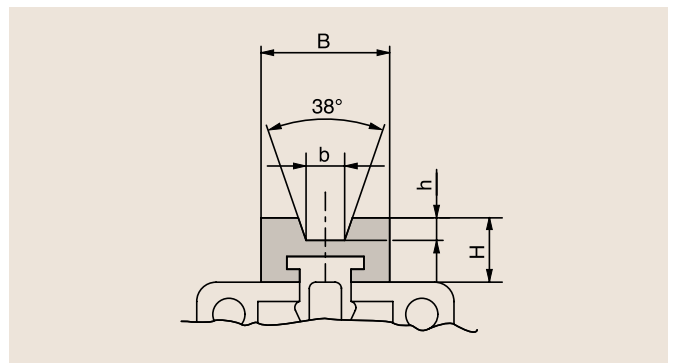
Guides for V-belts as per DIN 2215

TYPE KR



b x h	B	b	H	h	Article no.	Availability
8 x 5	20	6.0	10	3.5	231 511 005	●
10 x 6	20	7.2	12	4.5	231 511 006	○
13 x 8	20	9.2	15	6.0	231 511 007	○
17 x 11	30	11.5	15	8.0	231 511 008	●
20 x 12.5	30	13.5	20	9.0	231 511 009	●
22 x 14	35	14.5	20	10.5	231 511 010	●
25 x 16	40	16.5	25	12.0	231 511 011	●
32 x 20	50	21.0	30	16.0	231 511 012	●
40	60	26.0	35	21.0	231 511 013	●

● Stocked ○ Available within 10 days Dimensions in mm



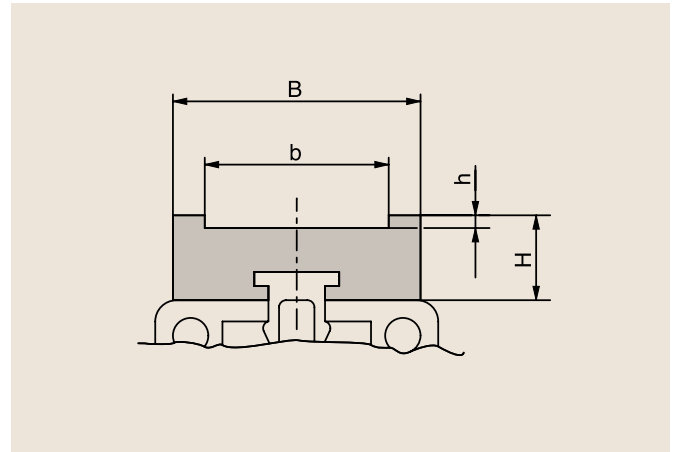
Guides for flat belts

TYPE FR



Belt type	B	b	H	h	Article no.	Availability
25/T5	35	26	12	1.8	231 512 014	○
32/T5	45	33	12	1.8	231 512 015	●
25/T10	35	26	12	3.8	231 512 016	●
32/T10	45	33	12	3.8	231 512 017	●

● Stocked ○ Available within 10 days Dimensions in mm



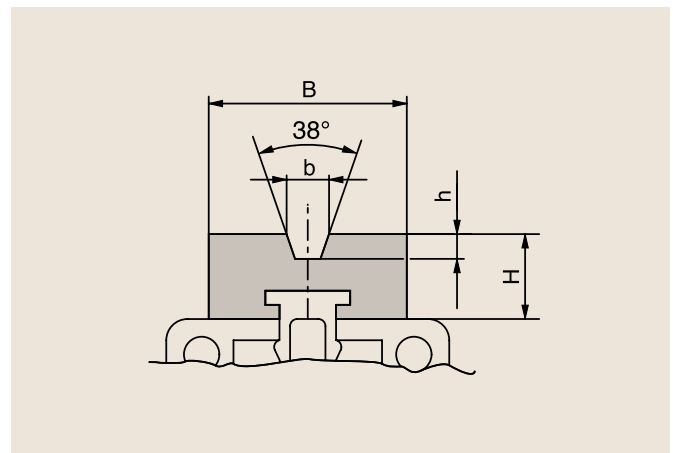
Guides for tracked flat belts

TYPE FK



Belt type	B	b	H	h	Article no.	Availability
25/TK5	28	6	12	3.5	231 513 021	○
32/TK5	35	6	12	3.5	231 513 022	○
32/TK10 (10 x 6)	35	9.5	12	4.0	231 513 023	●
50/TK10 (10 x 6)	55	9.5	12	4.0	231 513 024	●

● Stocked ○ Available within 10 days Dimensions in mm



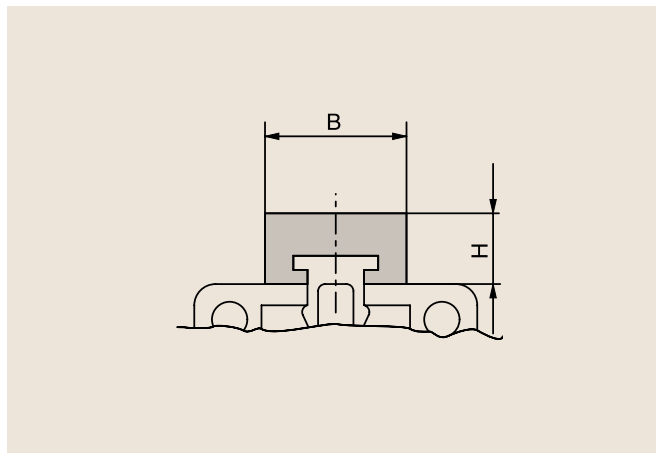
Guides for slat band chains, modular link belts, workpiece carriers etc.

TYPE F



B	H	Article no.	Availability
20	10	211 511 001	●
30	10	211 511 002	●
40	10	211 511 003	●
40	6	211 511 006	●

● Stocked ○ Available within 10 days Dimensions in mm

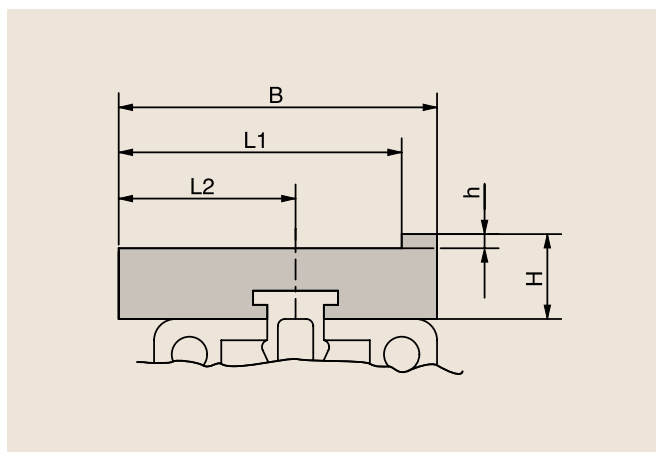


TYPE L GUIDES



B	H	h	L1	L2	Article no.	Availability
45	12	2	40	25	211 512 001	●

● Stocked ○ Available within 10 days Dimensions in mm



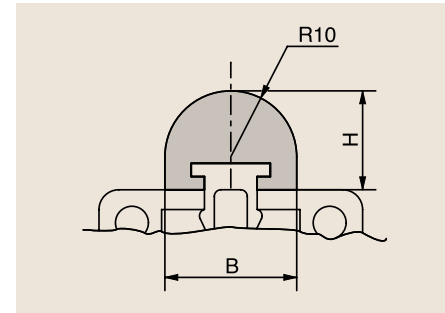
Rail guide

TYPE HR 15 20



B	H	Article no.	Availability
20	15	211 513 001	●

● Stocked ○ Available within 10 days Dimensions in mm



SPECIAL GUIDES

At Murtfeldt, we appreciate your individuality. If you need a special guide, we will be happy to make it for you. When doing so, quick delivery times and providing the highest possible quality at attractive prices have the utmost priority.

Not just for profiles

SNAP-TRICK® is a good choice for other applications as well as for guide profiles. For example, they can also be used to fasten mounting plates for valves on pneumatic cylinders.

Discuss your ideas with us. Simply send us a CAD drawing and we can provide a quote optimized in line with your requirements.

You can also join our consultants at an online conference where you can work together on your documents in real time.

