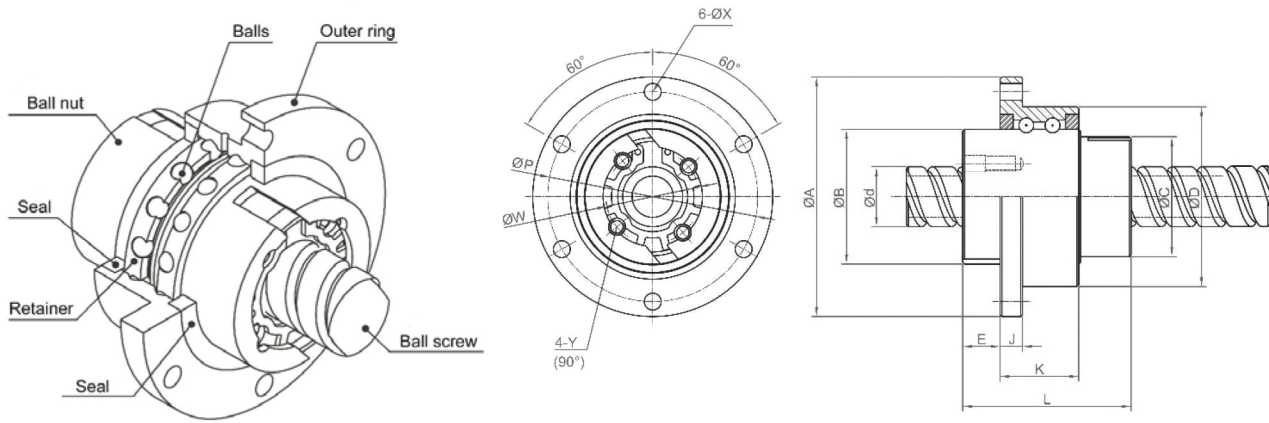


RFSY ROTARY TYPE



Sizes	d	l	Da	n	Ca	Coa	D	A	B	L	C	E	J	K	P	X	W	Y	Ca	Coa	
	(mm)				(N)	(N)	(mm)													(mm)	(N)
RFSY 01616	16	16	2,778	1.8x2	7300	14840	48	64	36	45	32	10	6	21	56	4,5	25	M4	10730	25510	
RFSY 02020	20	20	3,175	1.8x2	7880	18110	56	72	43,5	52	39	11	6	21	64	4,5	31	M5	13870	35150	
RFSY 02525	25	25	3,969	1.8x2	10940	26070	66	86	52	64	47	13	7	25	75	5,5	38	M6	20740	54940	
RFSY 03232	32	32	4,762	1.8x2	11910	32330	78	103	63	78	58	14	8	25	89	6,6	48	M6	30210	86900	
RFSY 04040	40	40	6,35	1.8x2	22160	66850	100	130	79,5	99	73	16,5	10	33	113	9	61	M8	48310	140620	

CAUTION: Rotary nuts are compatible with SCR type screws!

Application example

