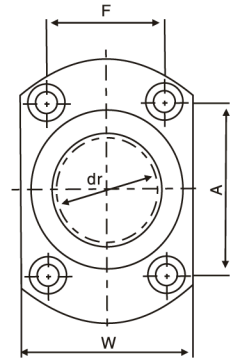
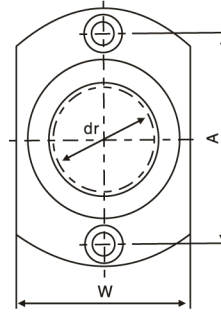
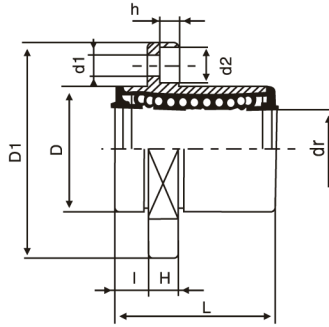


# LMHP Series

## (SMT-E Series)



LMHP6~LMHP13

LMHP16~LMHP30

Part No.		Main Dimensions and Tolerance											Eccentricity	Basic Load Rating		Weight (g)	
Seal Type	Ball Circuit	dr (mm)	Tolerance (μm)	D (mm)	Tolerance (μm)	L ±0.3 (mm)	I (mm)	D1 (mm)	W (mm)	H (mm)	A (mm)	F (mm)		D1xd2xh (mm)	C N		Co N
LMHP6UU	4	6	0-9	12	0-13	19	5	28	18	5	20	-	3.5x6x3.1	12	206	265	21
LMHP8UU	4	8		15		24	5	32	21	5	24	-	3.5x6x3.1		274	392	33
LMHP10UU	4	10		19	0-16	29	6	40	25	6	29	-	4.5x7.5x4.1		372	549	64
LMHP12UU	4	12		21		30	6	42	27	6	32	-	4.5x7.5x4.1		510	784	68
LMHP13UU	4	13		23		32	6	43	29	6	33	-	4.5x7.5x4.1		510	784	81
LMHP16UU	5	16		28		37	6	48	34	6	31	22	4.5x7.5x4.1		774	1180	112
LMHP20UU	5	20	0-10	32	0-19	42	8	54	38	8	36	24	5.5x9x5.1	15	882	1370	167
LMHP25UU	6	25		40		59	8	62	46	8	40	32	5.5x9x5.1		980	1570	325
LMHP30UU	6	30		45		64	10	74	51	10	49	35	6.6x11x6.1		1570	2740	388