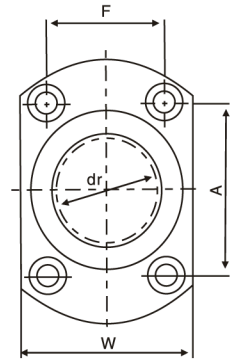
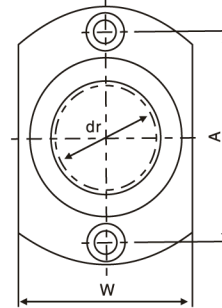
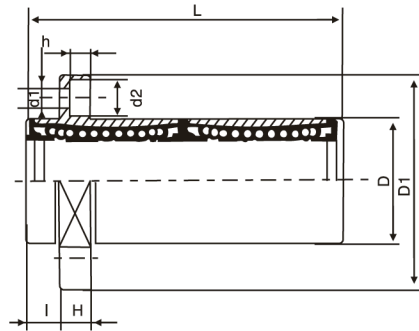


LMHP L Series

(SMT W-E Series)



LMHP6L~LMHP13L

LMHP16L~LMHP30L

Part No.		Main Dimensions and Tolerance											Eccentricity	Basic Load Rating		Weight (g)	
Seal Type	Ball Circuit	dr (mm)	Tolerance (μm)	D (mm)	Tolerance (μm)	L ±0.3 (mm)	I (mm)	D1 (mm)	W (mm)	H (mm)	A (mm)	F (mm)		d1 x d2 x h (mm)	C N		Co N
LMHP6LUU	4	6	0 -10	12	0 -13	35	5	28	18	5	20	-	3.5x6x3.1	15	323	529	28
LMHP8LUU	4	8		15		45	5	32	21	5	24	-	3.5x6x3.1		431	784	47
LMHP10LUU	4	10		19	0 -16	55	6	40	25	6	29	-	4.5x7.5x4.1		588	1100	90
LMHP12LUU	4	12		21		58	6	42	27	6	32	-	4.5x7.5x4.1		813	1570	102
LMHP13LUU	4	13		23		61	6	43	29	6	33	-	4.5x7.5x4.1		813	1570	123
LMHP16LUU	5	16		28		70	6	48	34	6	31	22	4.5x7.5x4.1		1230	2350	182
LMHP20LUU	5	20	0 -12	32	0 -19	80	8	54	38	8	36	24	5.5x9x5.1	20	1400	2740	247
LMHP25LUU	6	25		40		112	8	62	46	8	40	32	5.5x9x5.1		1560	3140	525
LMHP30LUU	6	30		45		123	10	74	51	10	49	35	6.6x11x6.1		2490	5490	645