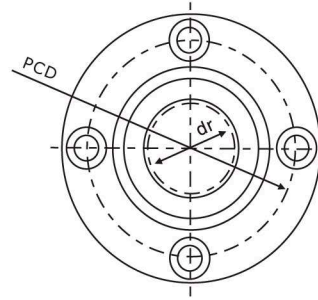
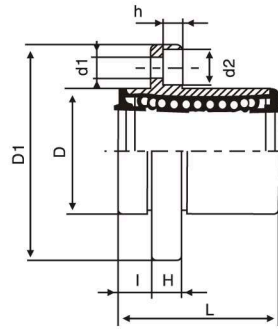
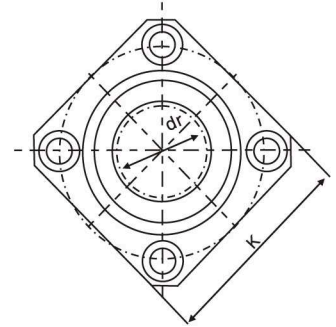


# LMF/KP Series

## (SMF/K-E Series)



LMFP



LMKP

Part No.		Main Dimensions and Tolerance											Eccentricity	Basic Load Rating		Weight (g)		
Seal Type	Ball Circuit	dr (mm)	Tolerance (μm)	D (mm)	Tolerance (μm)	L ±0.3 (mm)	I (mm)	D1 (mm)	K (mm)	H (mm)	PCD (mm)	d1 x d2 x h (mm)		C N	Co N			
LMFP6UU	4	6	0-9	12	0-13	19	5	28	22	5	20	3.5x6x3.1	12	206	265	24		
LMKP6UU																		
LMFP8UU	4	8		15		24	5	32	25	5	24	3.5x6x3.1		274	392	37		
LMKP8UU																		
LMFP10UU	4	10		19	0-16	29	6	40	30	6	29	4.5x7.5x4.1		372	549	72		
LMKP10UU																		
LMFP12UU	4	12		21		30	6	42	32	6	32	4.5x7.5x4.1		510	784	76		
LMKP12UU																		
LMFP13UU	4	13		23		32	6	43	34	6	33	4.5x7.5x4.1		510	784	88		
LMKP13UU																		
LMFP16UU	5	16	28		37	6	48	37	6	38	4.5x7.5x4.1	774	1180	120				
LMKP16UU																		
LMFP20UU	5	20	0-10	32	0-19	42	8	54	42	8	43	5.5x9x5.1	15	882	1370	180		
LMKP20UU																		
LMFP25UU	6	25		40		59	8	62	50	8	51	5.5x9x5.1		980	1570	340		
LMKP25UU																		
LMFP30UU	6	30	45		64	10	74	58	10	60	6.6x11x6.1	1570	2740	470				
LMKP30UU																		
LMFP35UU	6	35	0-12	52	0-22	70	10	82	64	10	67	6.6x11x6.1	20	1670	3140	650		
LMKP35UU																		
LMFP40UU	6	40		60		80	13	96	75	13	78	9x14x8.1		2160	4020	1060		
LMKP40UU																		
LMFP50UU	6	50	80		100	13	116	92	18	98	9x14x8.1	3820	7940	2200				
LMKP50UU																		
LMFP60UU	6	60	0-15	90	0-25	110	18	134	106	18	112	11x17x11.1	25	4700	10000	3000		
LMKP60UU																		